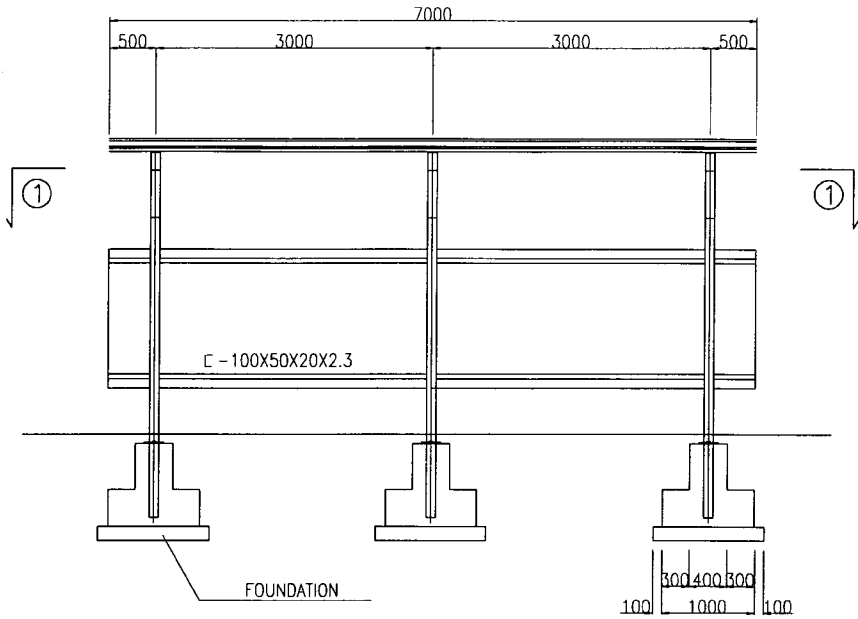
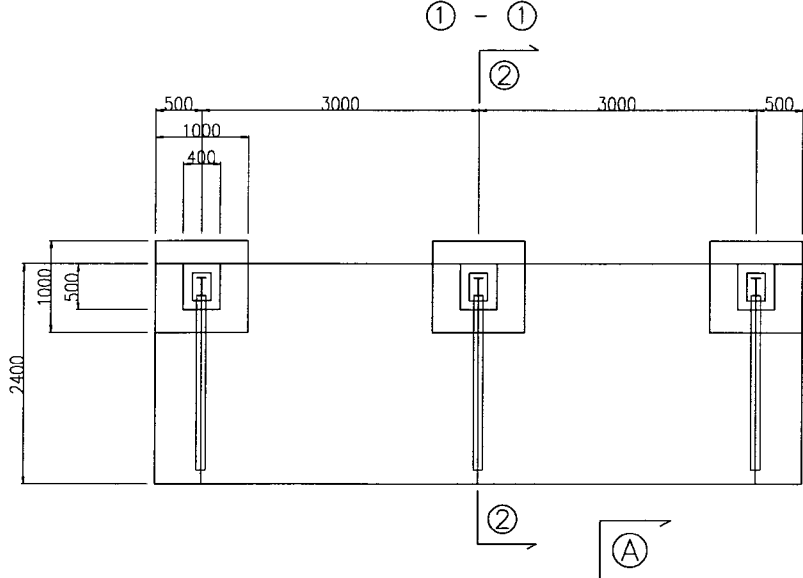


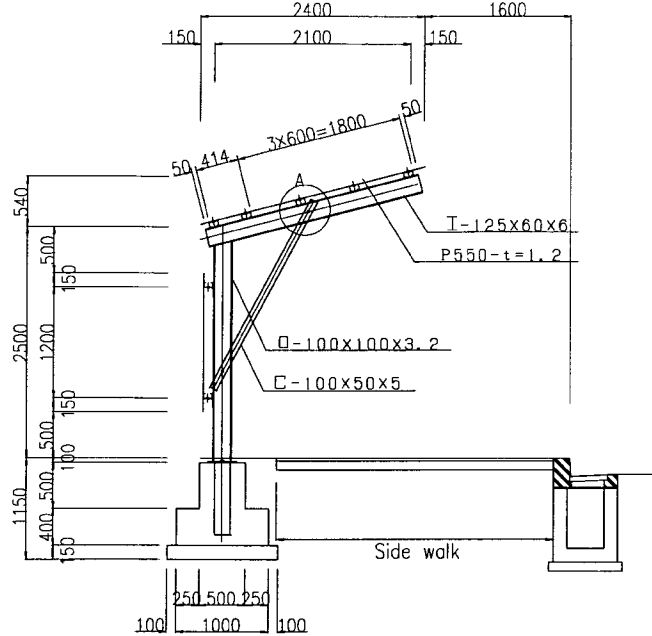
PROFILE S=1:80



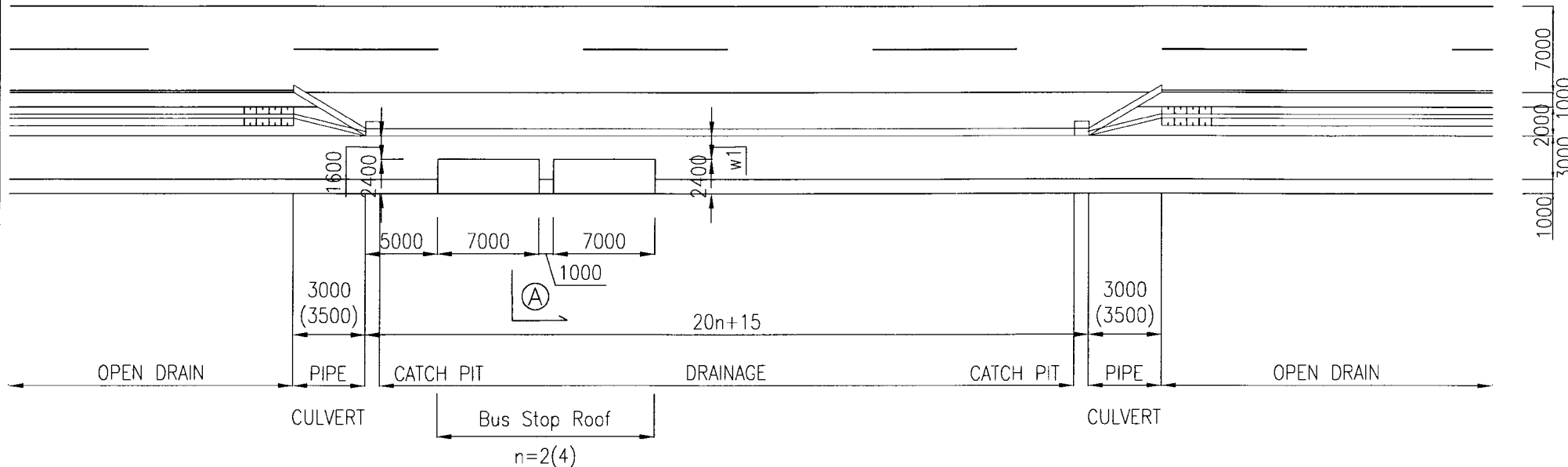
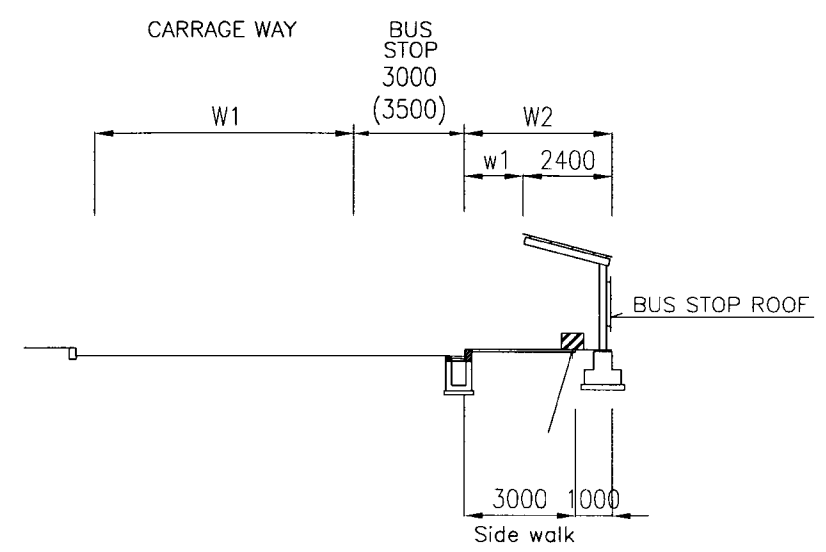
PLAN S=1:80



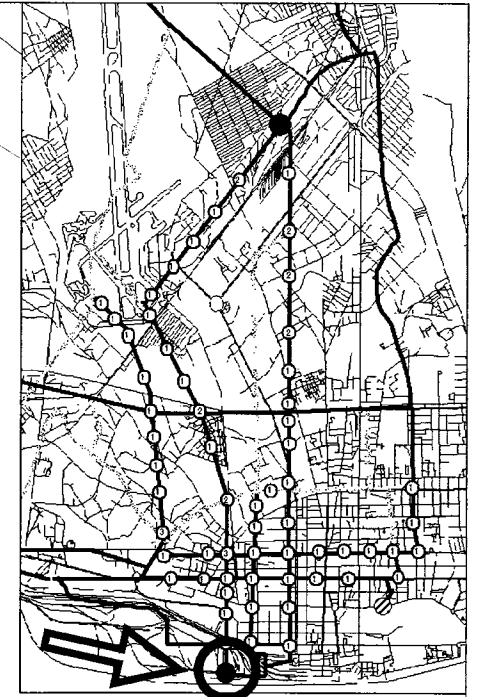
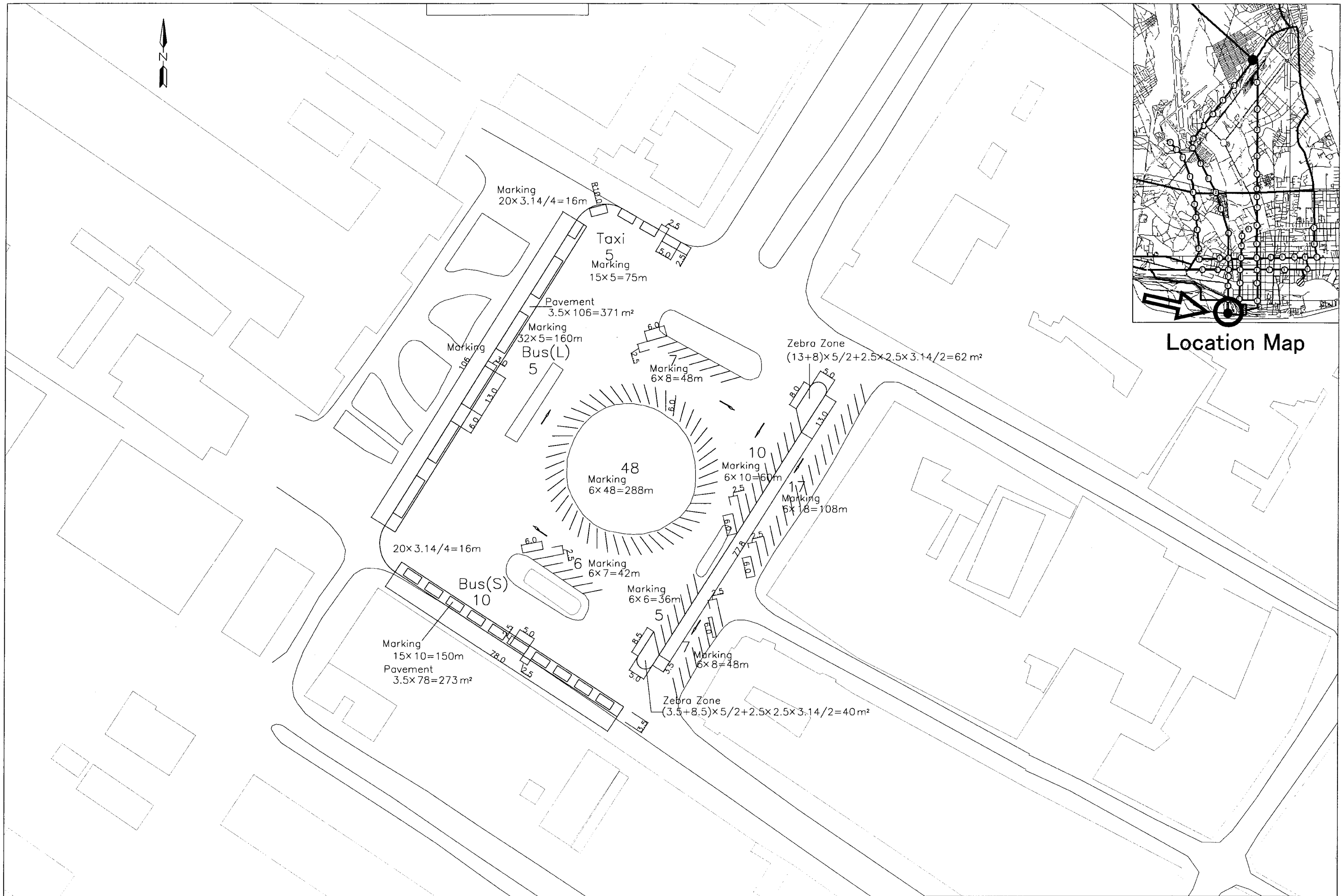
SECTION S=1:80 ② - ②



① - ① S=1:200

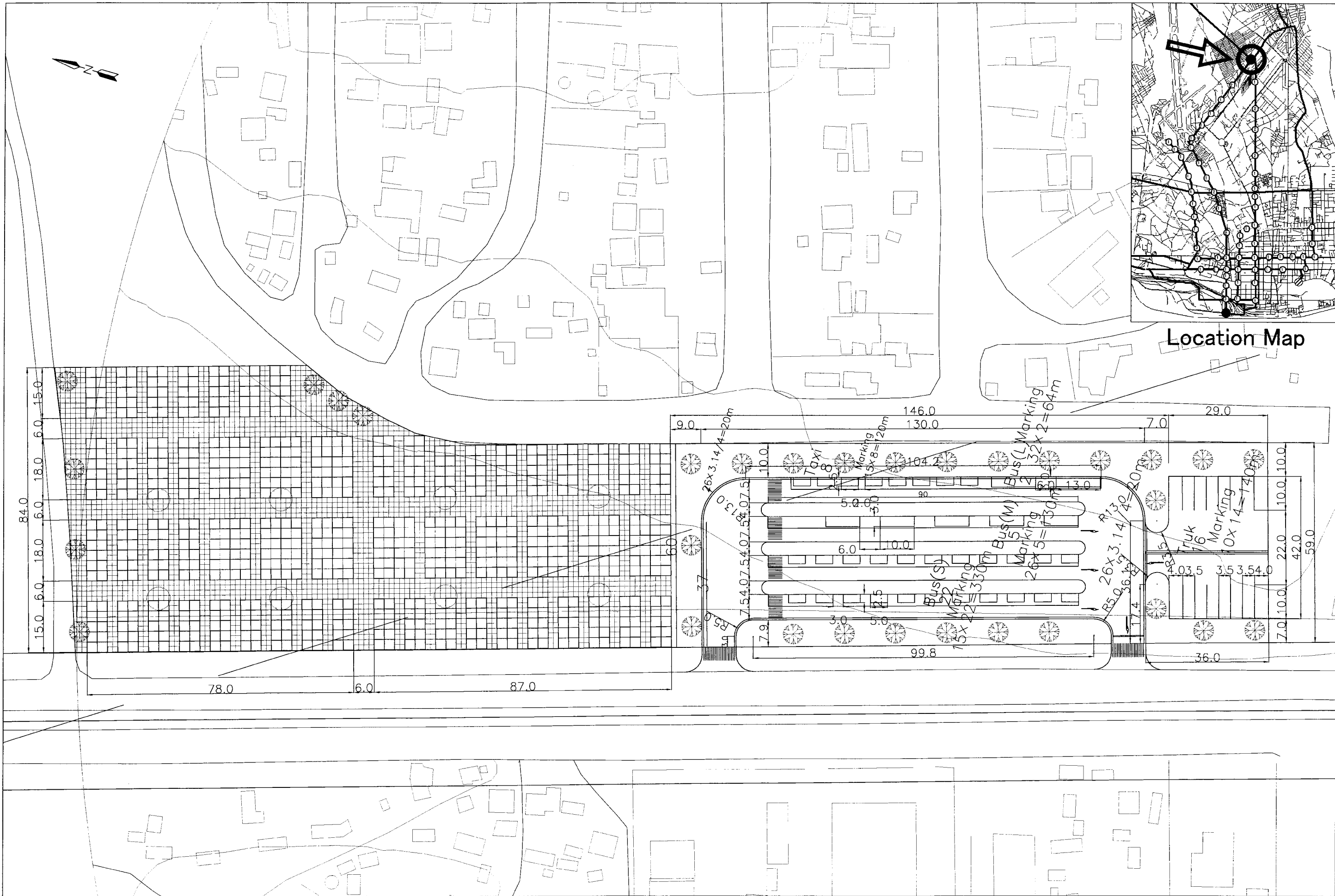


MUNICIPAL COUNCIL OF MAPUTO THE CITY OF MAPUTO THE REPUBLIC OF MOZAMBIQUE	THE STUDY ON THE MASTER PLAN AND FEASIBILITY STUDY OF THE CITY OF MAPUTO	ORIENTAL CONSULTANTS CO.,LTD IN CONSORTIUM WITH JAPAN ENGINEERING CONSULTANTS CO.,LTD	PROPOSED BUS BAY LAYOUT PLAN	SCALE	MUNICIPAL COUNCIL OF MAPUTO THE CITY OF MAPUTO THE REPUBLIC OF MOZAMBIQUE	APPROVED	ORIENTAL CONSULTANTS CO.,LTD IN CONSORTIUM WITH JAPAN ENGINEERING CONSULTANTS CO.,LTD	PREPARED	DATE	SHEET NO
				Illustrate		DATE		CHECKED		



Location Map

MUNICIPAL COUNCIL OF MAPUTO THE CITY OF MAPUTO THE REPUBLIC OF MOZAMBIQUE	THE STUDY ON THE MASTER PLAN AND FEASIBILITY STUDY OF THE CITY OF MAPUTO	ORIENTAL CONSULTANTS CO.LTD IN CONSORTIUM WITH JAPAN ENGINEERING CONSULTANTS CO.LTD	Proposed Bus Terminal Plan Praça dos Trabalhadores	SCALE H=1:1000	MUNICIPAL COUNCIL OF MAPUTO THE CITY OF MAPUTO THE REPUBLIC OF MOZAMBIQUE	APPROVED	ORIENTAL CONSULTANTS CO.LTD IN CONSORTIUM WITH JAPAN ENGINEERING CONSULTANTS CO.LTD	PREPARED CHECKED	DATE	SHEET NO 51
					DATE	SUBMITTED				



Location Map

MUNICIPAL COUNCIL OF MAPUTO THE CITY OF MAPUTO THE REPUBLIC OF MOZAMBIQUE	THE STUDY ON THE MASTER PLAN AND FEASIBILITY STUDY OF THE CITY OF MAPUTO	ORIENTAL CONSULTANS CO.,LTD IN CONSORTIUM WITH JAPAN ENGINEERING CONSULTANTS CO.,LTD	Proposed Bus Terminal Plan Praça dos Combatentes	SCALE H=1:1000	MUNICIPAL COUNCIL OF MAPUTO THE CITY OF MAPUTO THE REPUBLIC OF MOZAMBIQUE	APPROVED DATE	ORIENTAL CONSULTANS CO.,LTD IN CONSORTIUM WITH JAPAN ENGINEERING CONSULTANTS CO.,LTD	PREPARED CHECKED SUBMITTED	DATE	SHEET NO 52
---	--	--	---	-------------------	---	------------------	---	-------------------------------	------	----------------



MUNICIPAL COUNCIL OF MAPUTO THE CITY OF MAPUTO THE REPUBLIC OF MOZAMBIQUE	THE STUDY ON THE MASTER PLAN AND FEASIBILITY STUDY OF THE CITY OF MAPUTO	ORIENTAL CONSULTANS CO.LTD IN CONSORTIUM WITH JAPAN ENGINEERING CONSULTANTS CO.LTD	Proposed Drainage Network District 1	SCALE H=1:10000	MUNICIPAL COUNCIL OF MAPUTO THE CITY OF MAPUTO THE REPUBLIC OF MOZAMBIQUE	APPROVED DATE	ORIENTAL CONSULTANS CO.LTD IN CONSORTIUM WITH JAPAN ENGINEERING CONSULTANTS CO.LTD	PREPARED CHECKED SUBMITTED	DATE	SHEET NO 53
---	--	--	---	--------------------	---	------------------	---	-------------------------------	------	----------------

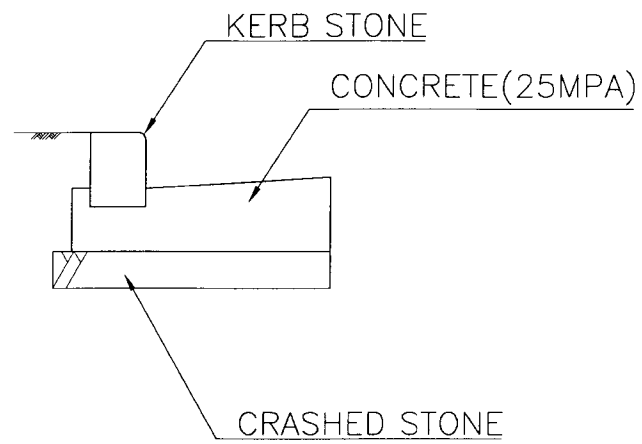


MUNICIPAL COUNCIL OF MAPUTO THE CITY OF MAPUTO THE REPUBLIC OF MOZAMBIQUE	THE STUDY ON THE MASTER PLAN AND FEASIBILITY STUDY OF THE CITY OF MAPUTO	ORIENTAL CONSULTANTS CO.LTD IN CONSORTIUM WITH JAPAN ENGINEERING CONSULTANTS CO.,LTD	Proposed Drainage Network District 2	SCALE H=1:10000	MUNICIPAL COUNCIL OF MAPUTO THE CITY OF MAPUTO THE REPUBLIC OF MOZAMBIQUE	APPROVED DATE	ORIENTAL CONSULTANTS CO.LTD IN CONSORTIUM WITH JAPAN ENGINEERING CONSULTANTS CO.,LTD	PREPARED CHECKED SUBMITTED	DATE	SHEET NO 54
---	--	--	---	--------------------	---	------------------	---	-------------------------------	------	----------------

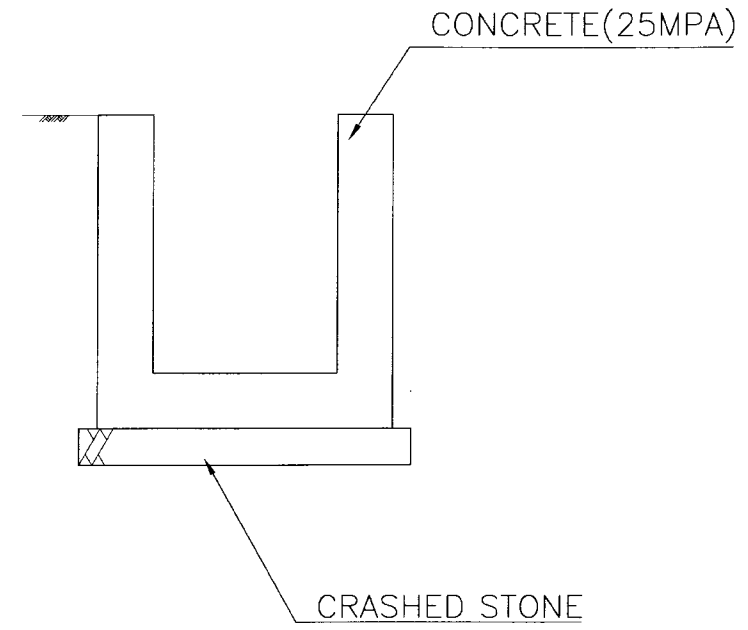


MUNICIPAL COUNCIL OF MAPUTO THE CITY OF MAPUTO THE REPUBLIC OF MOZAMBIQUE	THE STUDY ON THE MASTER PLAN AND FEASIBILITY STUDY OF THE CITY OF MAPUTO	ORIENTAL CONSULTANS CO.,LTD IN CONSORTIUM WITH JAPAN ENGINEERING CONSULTANTS CO.,LTD	Proposed Drainage Network District 3	SCALE H=1:10000	MUNICIPAL COUNCIL OF MAPUTO THE CITY OF MAPUTO THE REPUBLIC OF MOZAMBIQUE	APPROVED DATE	ORIENTAL CONSULTANS CO.,LTD IN CONSORTIUM WITH JAPAN ENGINEERING CONSULTANTS CO.,LTD	PREPARED CHECKED SUBMITTED	DATE	SHEET NO 55
---	--	--	---	--------------------	---	------------------	---	-------------------------------	------	----------------

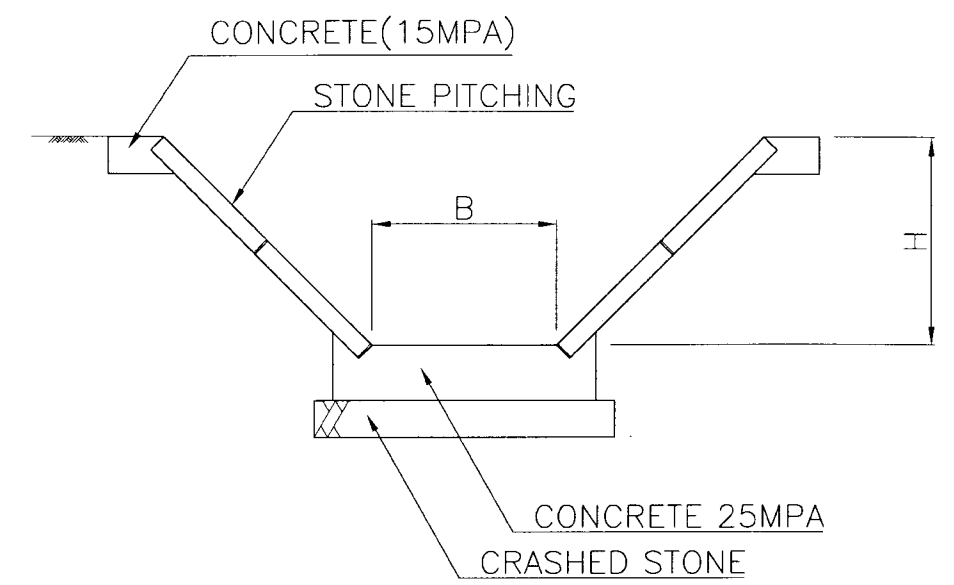
L-SHAPE DRAIN
S=1:20



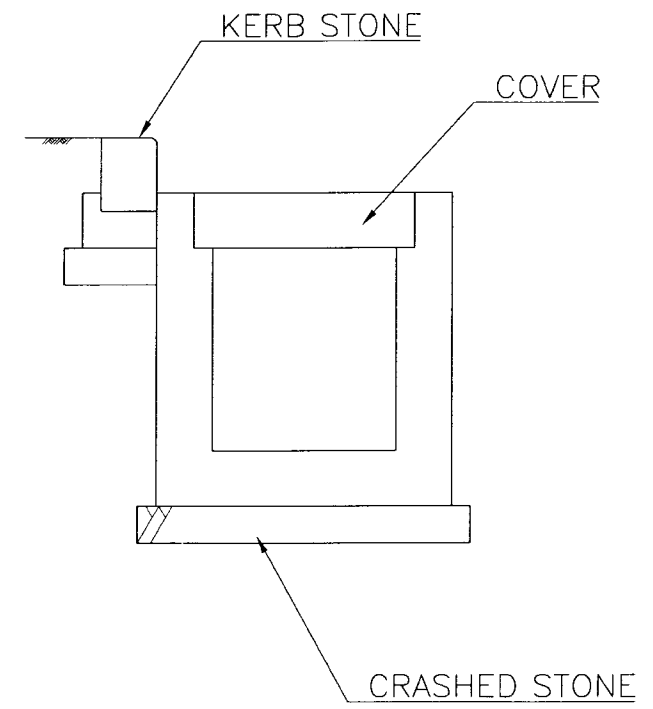
U-SHAPE DRAIN
S=1:20



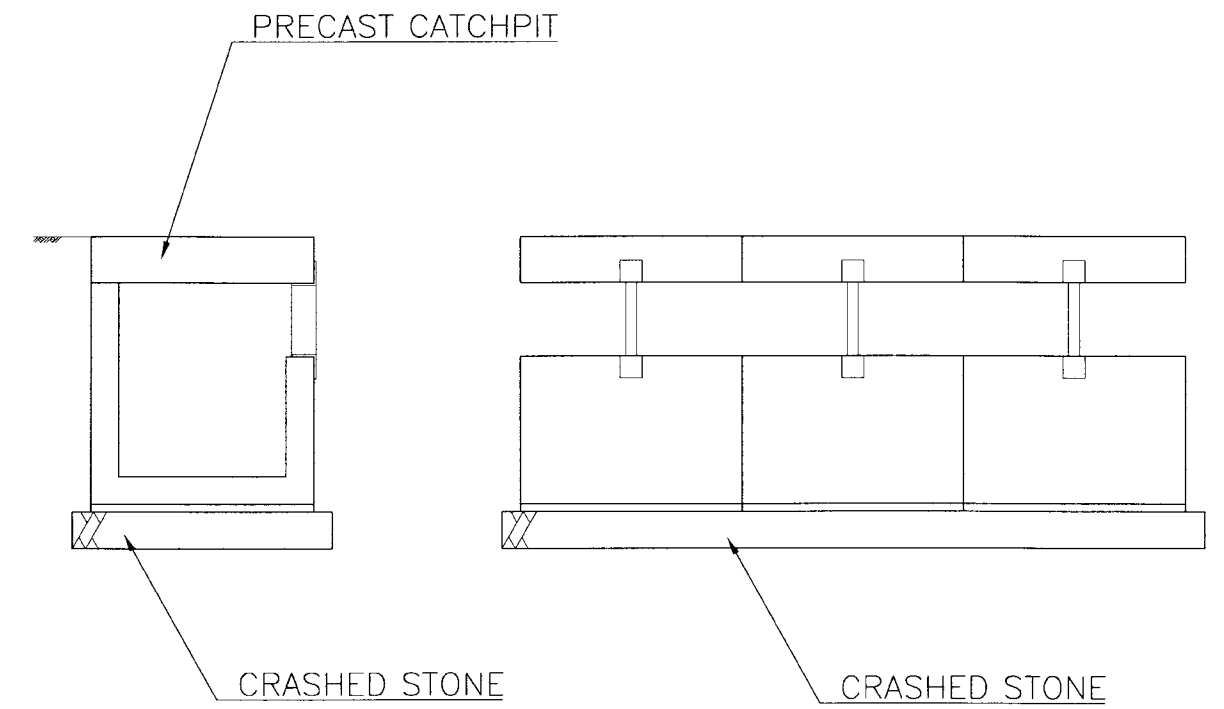
OPEN DRAIN
S=1:20



LU-SHAPE DRAIN
S=1:20

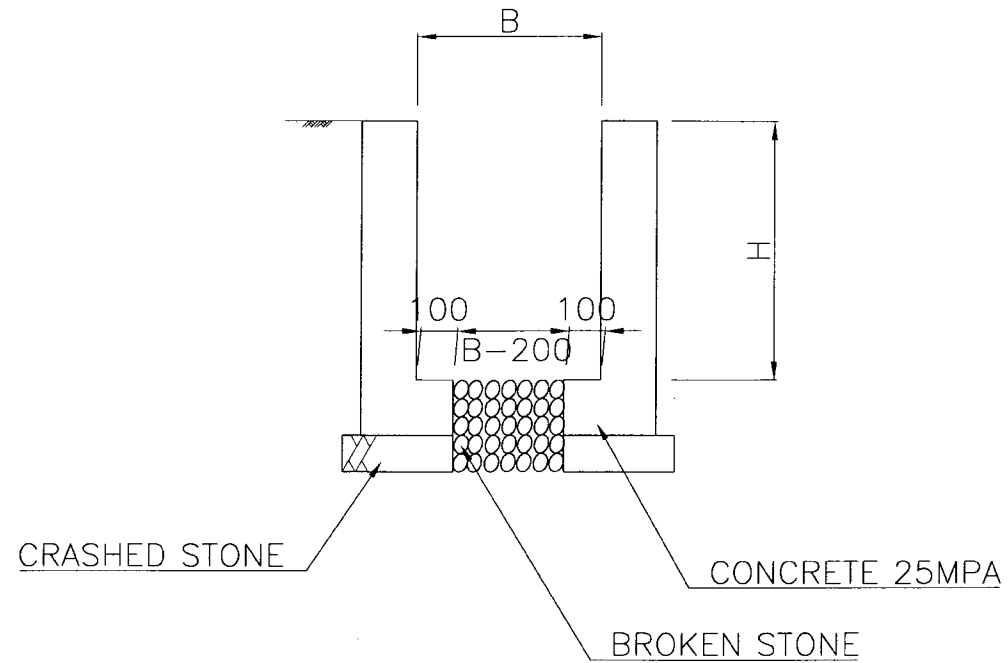


PRECAST CATCHPIT
S=1:20



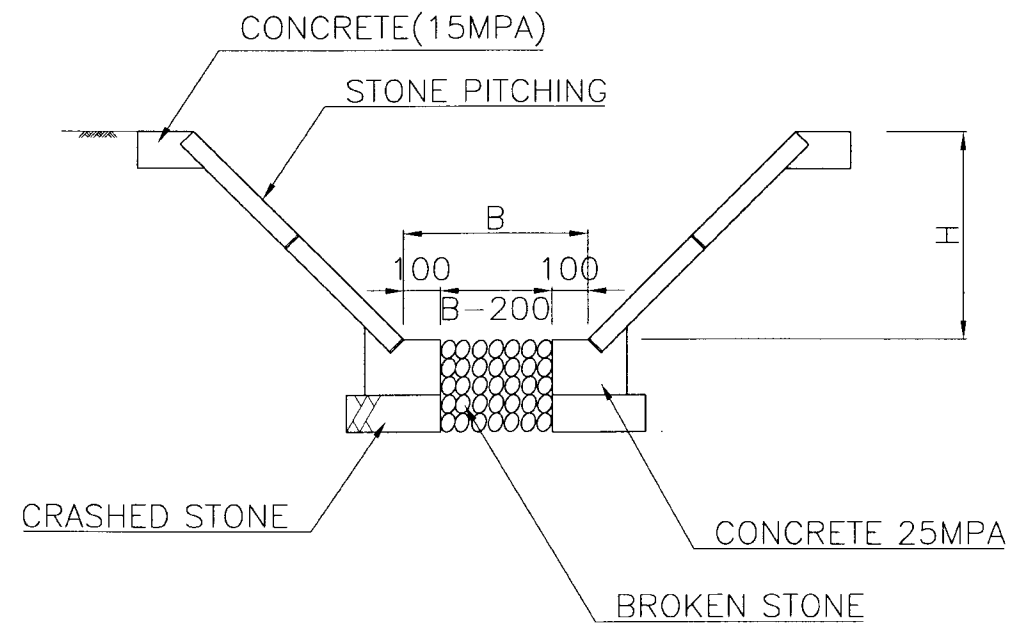
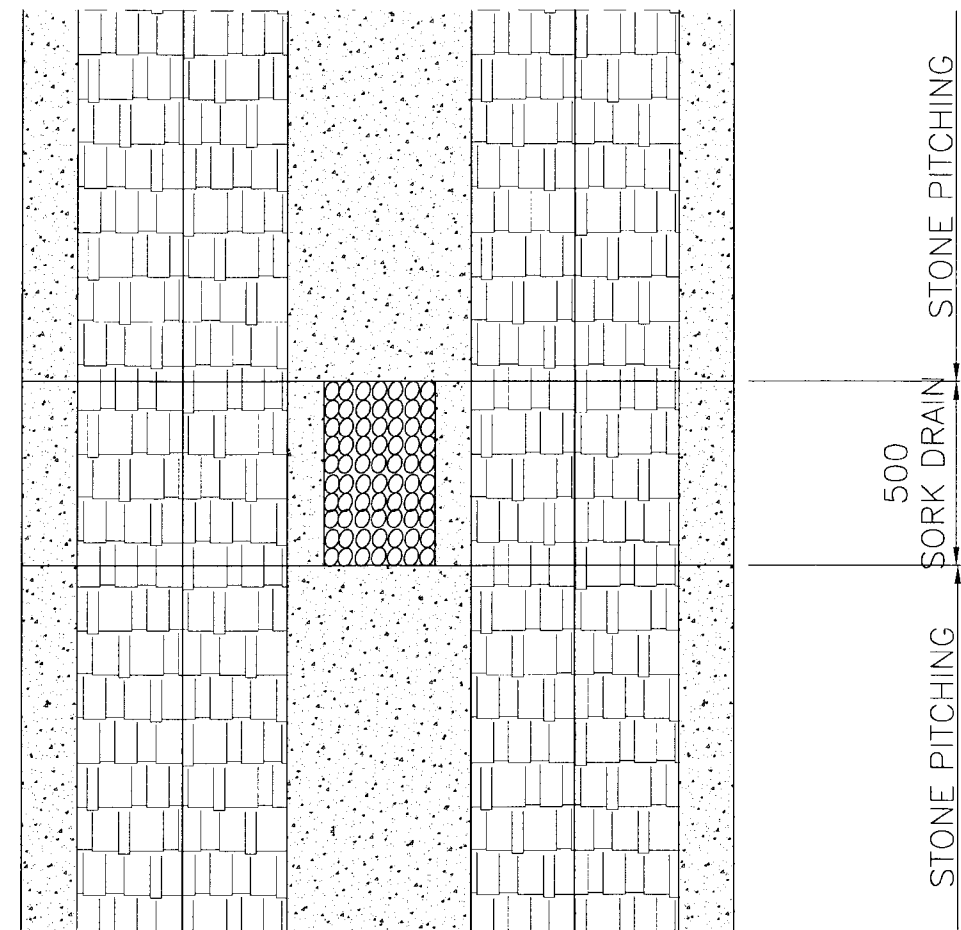
SORK PIT

S=1:20



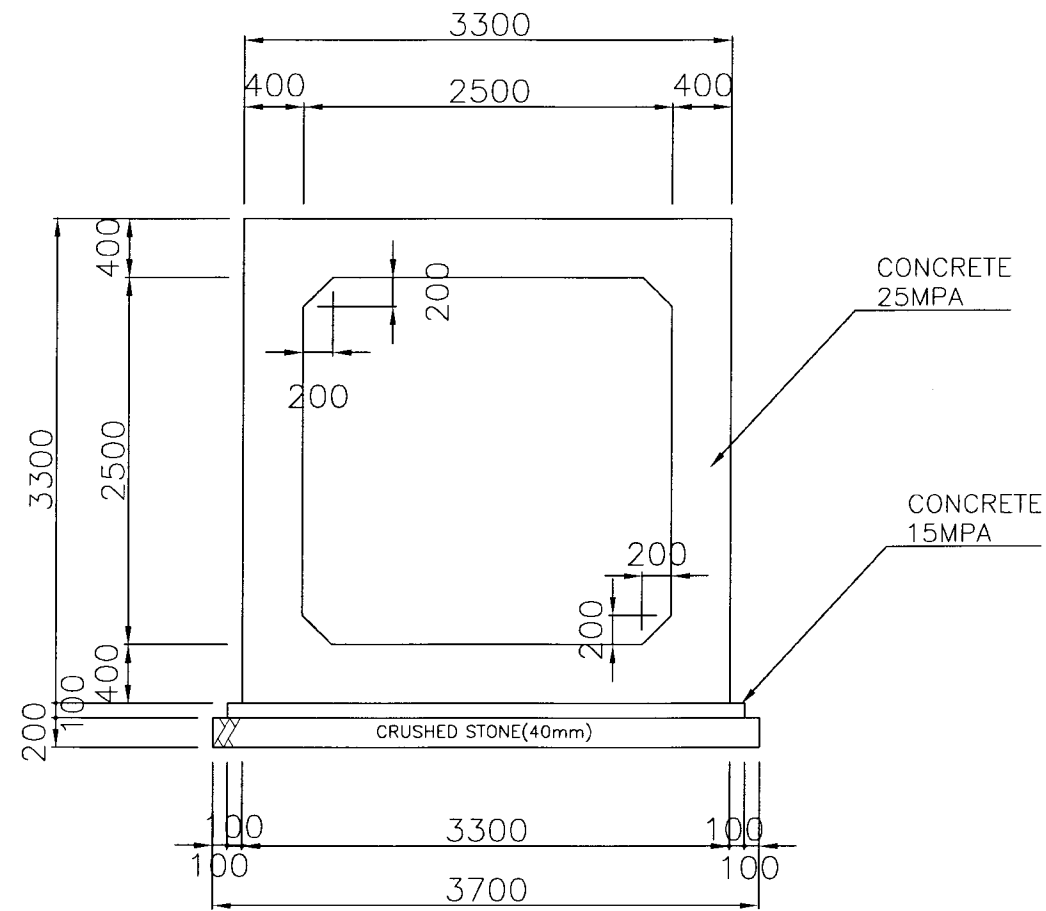
SORK DRAIN(OPEN)

S=1:20

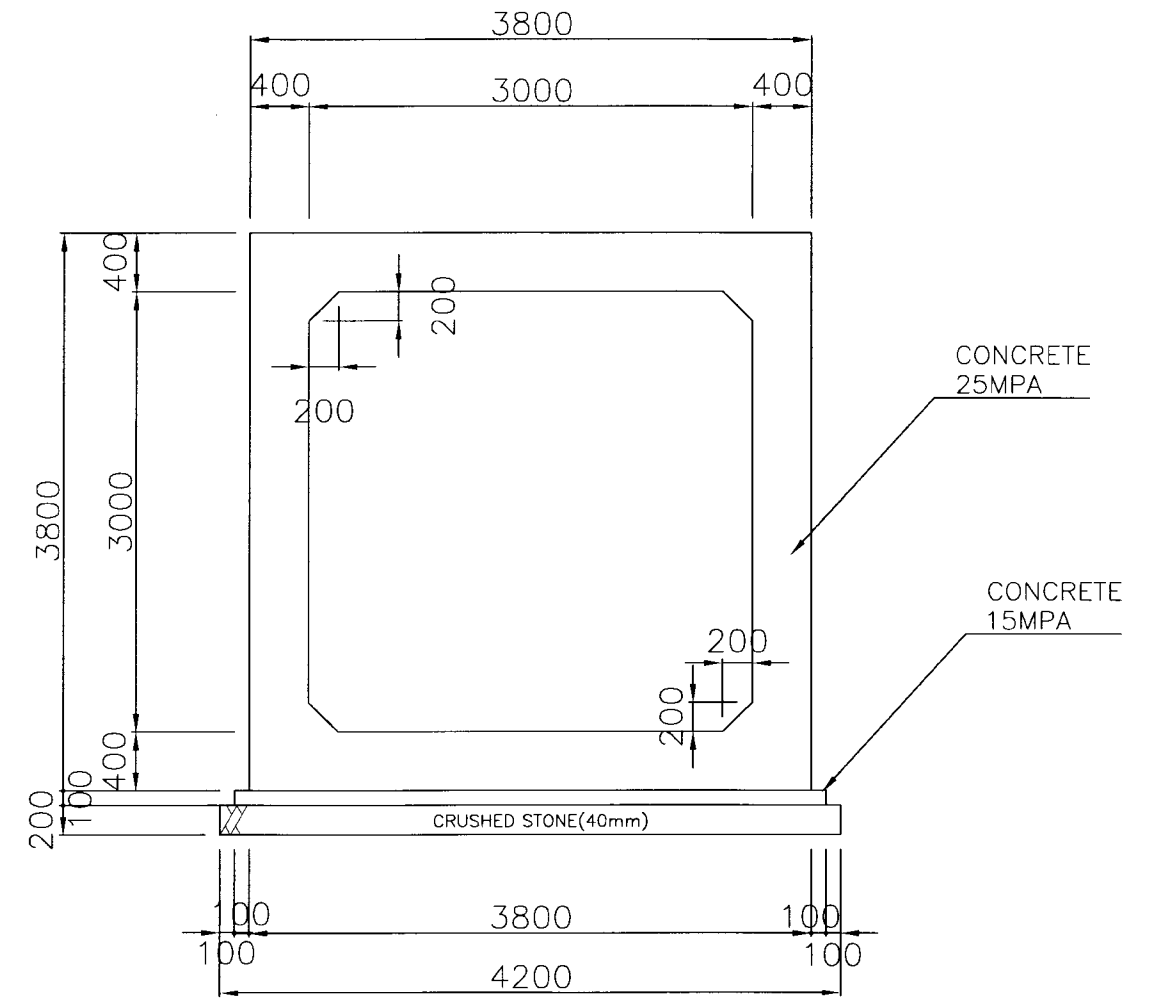


MUNICIPAL COUNCIL OF MAPUTO THE CITY OF MAPUTO THE REPUBLIC OF MOZAMBIQUE	THE STUDY ON THE MASTER PLAN AND FEASIBILITY STUDY OF THE CITY OF MAPUTO	ORIENTAL CONSULTANS CO.,LTD IN CONSORTIUM WITH JAPAN ENGINEERING CONSULTANTS CO.,LTD	DRAINAGE STRUCTURES & MISCELLANEOUS WORKS (2/2)	SCALE S=1:20	MUNICIPAL COUNCIL OF MAPUTO THE CITY OF MAPUTO THE REPUBLIC OF MOZAMBIQUE	APPROVED	ORIENTAL CONSULTANS CO.,LTD IN CONSORTIUM WITH JAPAN ENGINEERING CONSULTANTS CO.,LTD	PREPARED	DATE	SHEET NO 57
					DATE	CHECKED		SUBMITTED		

BOX CULVERT
(B2500-H2500)
S=1:50

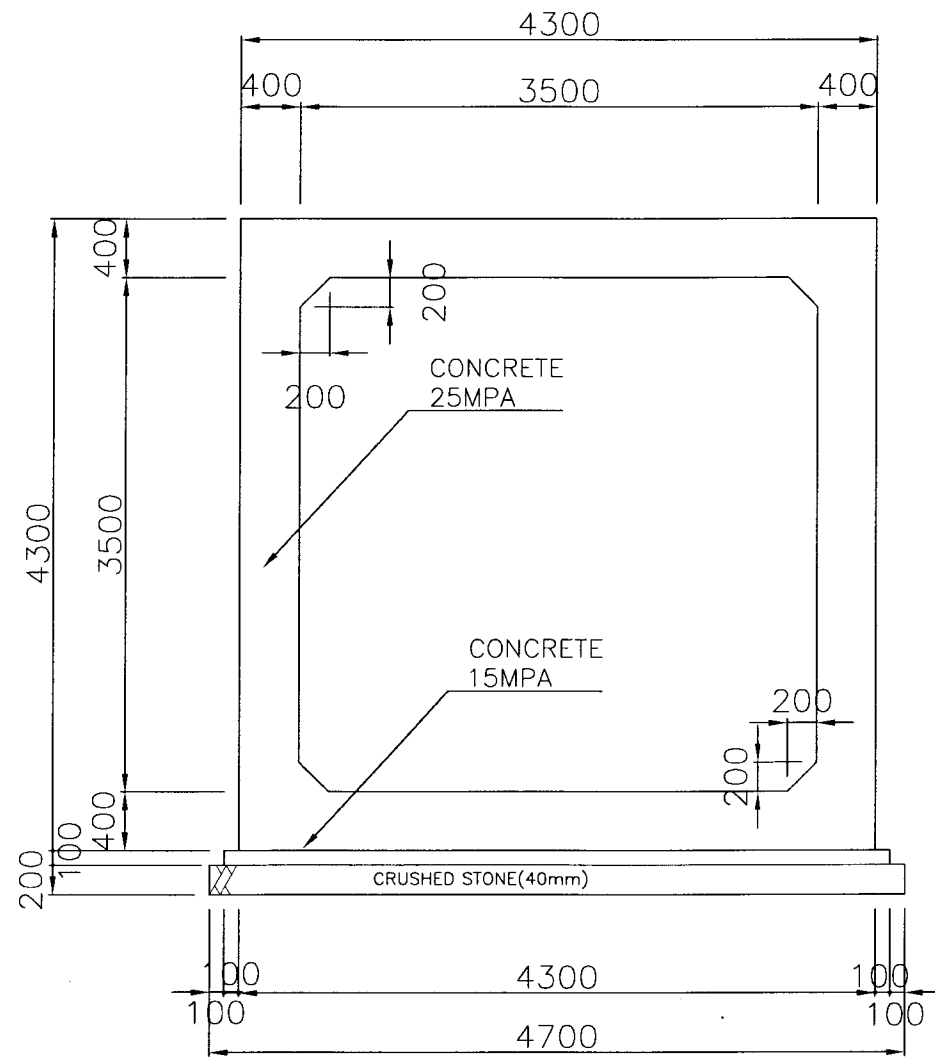


BOX CULVERT
(B3000-H3000)
S=1:50

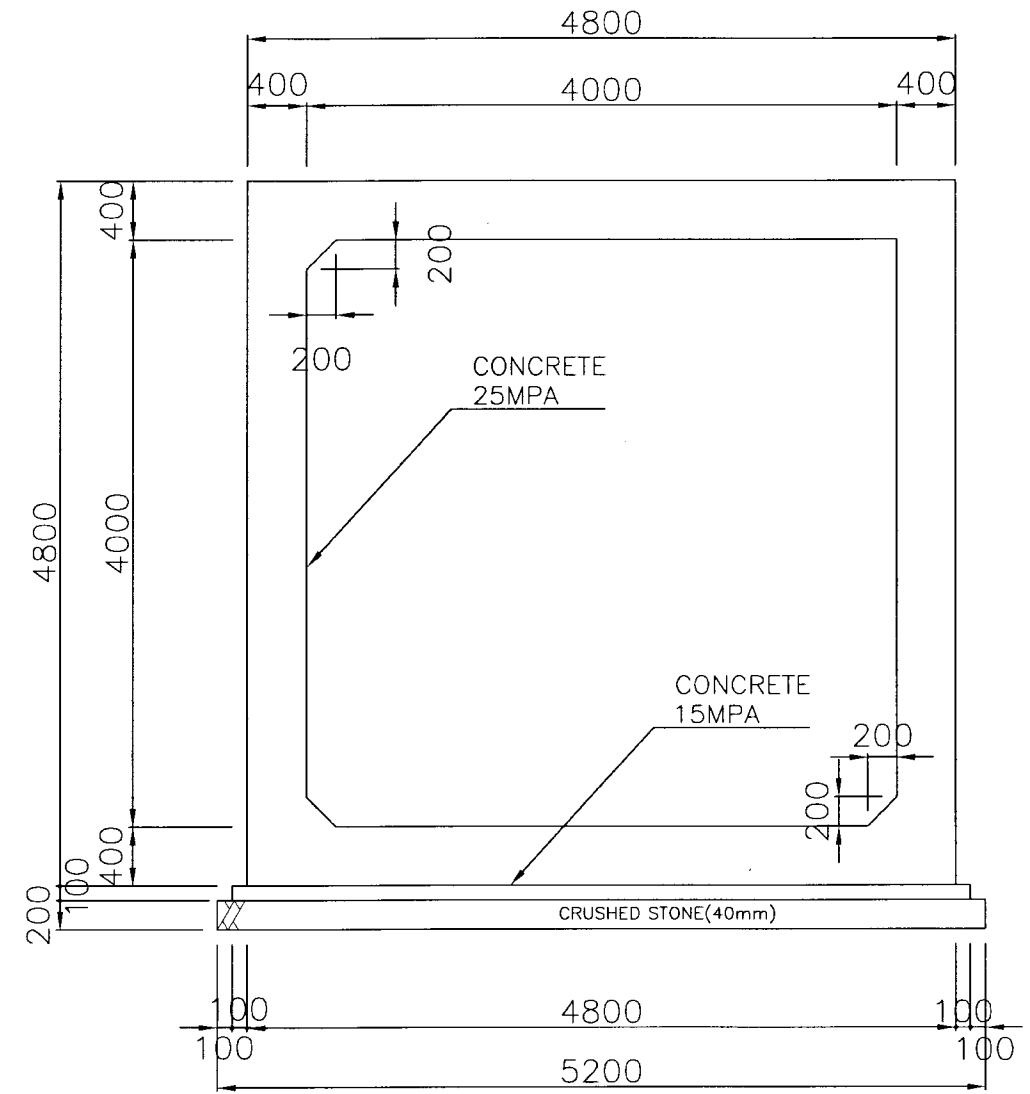


MUNICIPAL COUNCIL OF MAPUTO THE CITY OF MAPUTO THE REPUBLIC OF MOZAMBIQUE	THE STUDY ON THE MASTER PLAN AND FEASIBILITY STUDY OF THE CITY OF MAPUTO	ORIENTAL CONSULTANTS CO.,LTD IN CONSORTIUM WITH JAPAN ENGINEERING CONSULTANTS CO.,LTD	BOX CULVERT (1/3)	SCALE	MUNICIPAL COUNCIL OF MAPUTO THE CITY OF MAPUTO THE REPUBLIC OF MOZAMBIQUE	APPROVED	ORIENTAL CONSULTANTS CO.,LTD IN CONSORTIUM WITH JAPAN ENGINEERING CONSULTANTS CO.,LTD	PREPARED CHECKED	DATE	SHEET NO
				S=1:50		DATE		SUBMITTED		

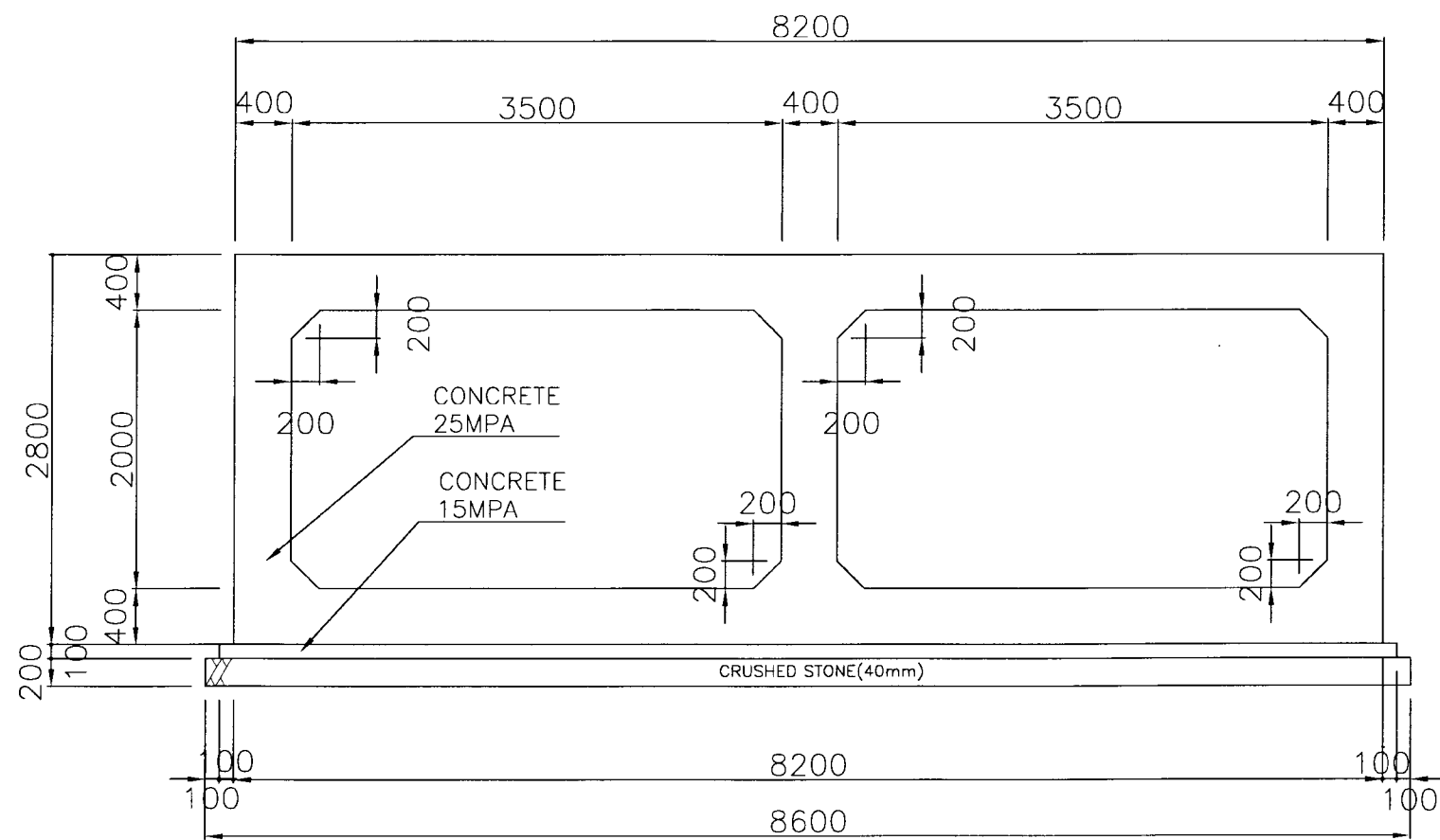
BOX CULVERT
(B3500-H3500)
S=1:50



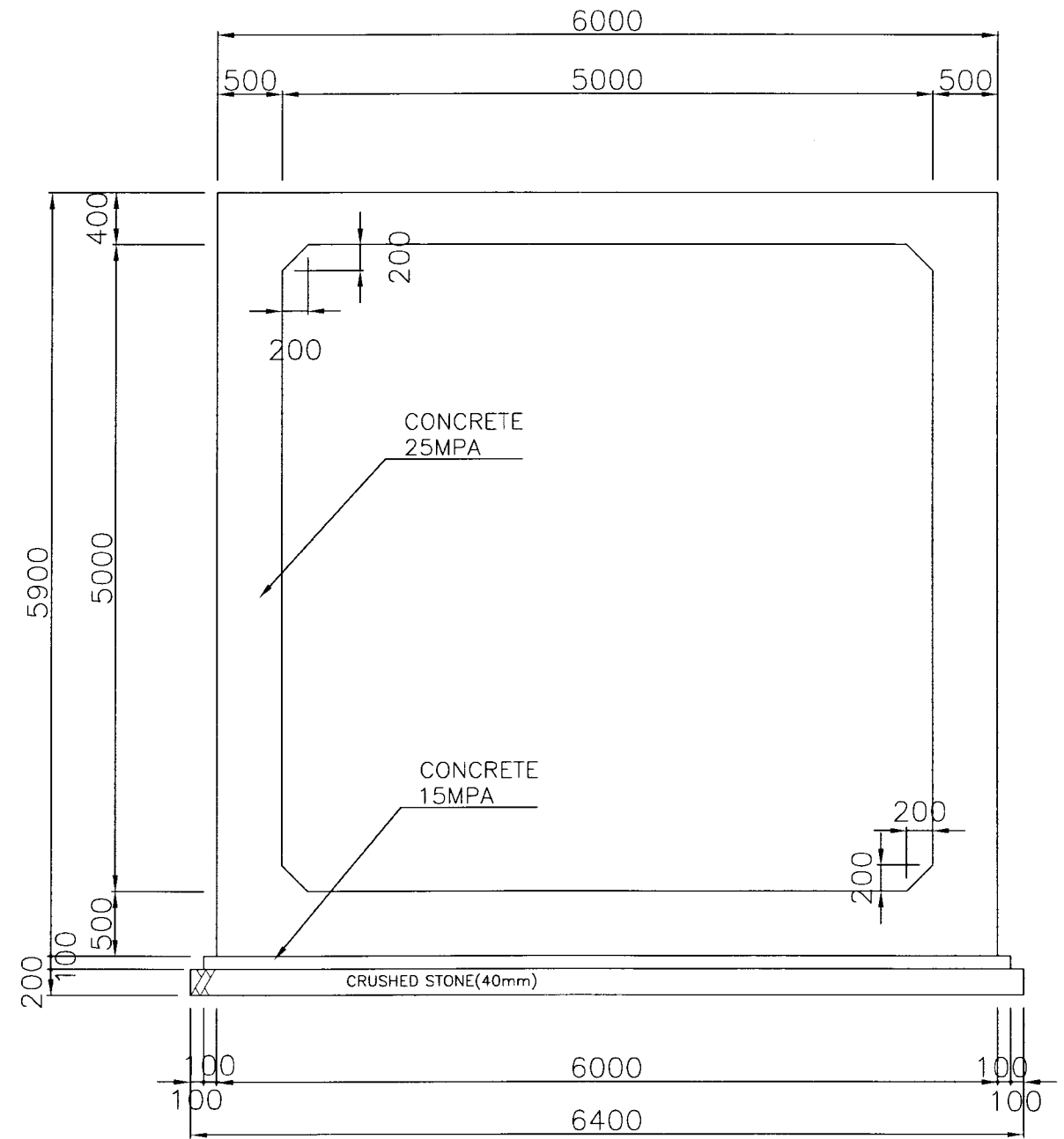
BOX CULVERT
(B4000-H4000)
S=1:50



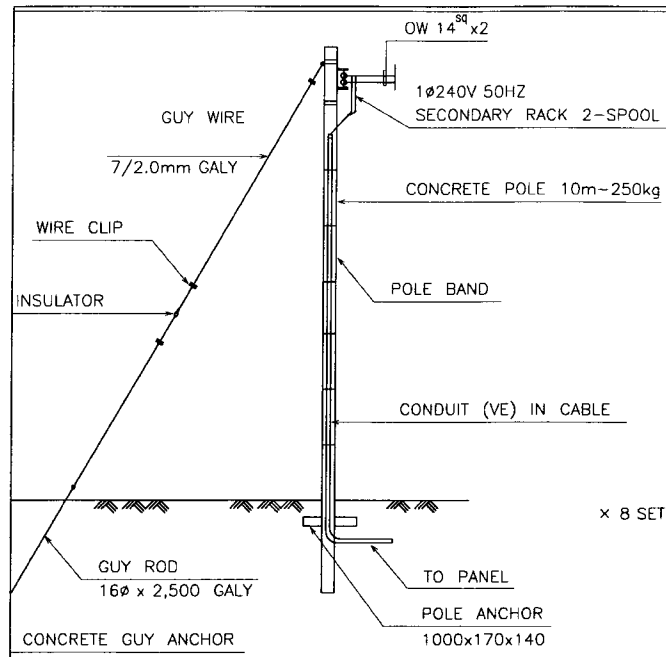
BOX CULVERT
(B3000-H2000X2)
S=1:50



BOX CULVERT
(B5000-H5000)
S=1:50

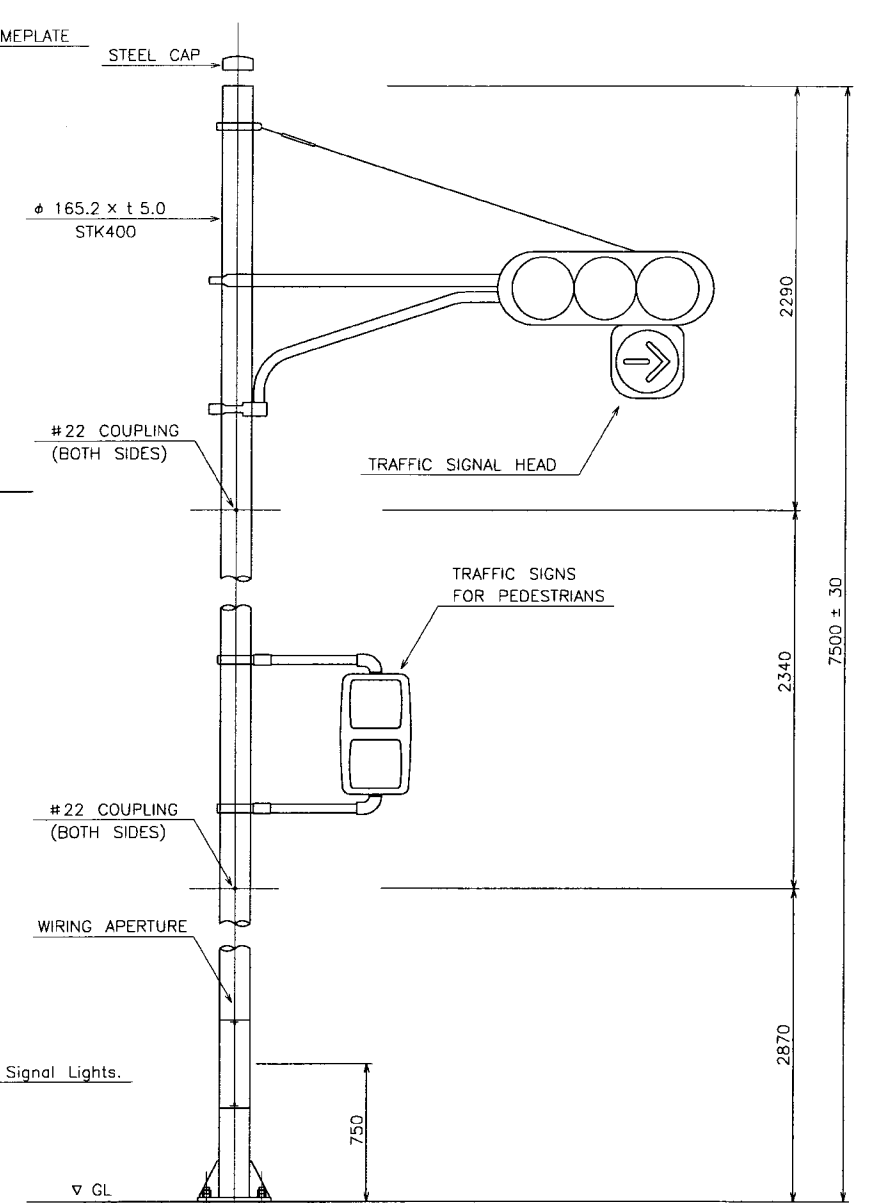
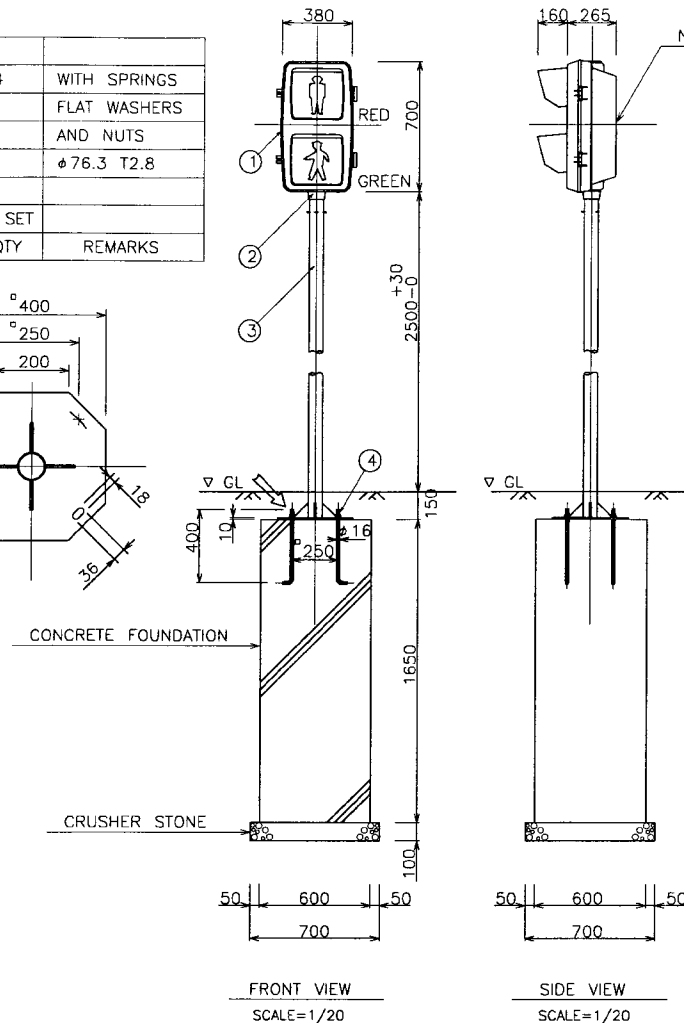
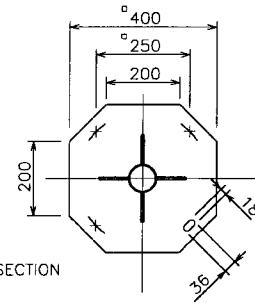


MUNICIPAL COUNCIL OF MAPUTO THE CITY OF MAPUTO THE REPUBLIC OF MOZAMBIQUE	THE STUDY ON THE MASTER PLAN AND FEASIBILITY STUDY OF THE CITY OF MAPUTO	ORIENTAL CONSULTANS CO.,LTD IN CONSORTIUM WITH JAPAN ENGINEERING CONSULTANTS CO.,LTD	BOX CULVERT (2/3)	SCALE	MUNICIPAL COUNCIL OF MAPUTO THE CITY OF MAPUTO THE REPUBLIC OF MOZAMBIQUE	APPROVED	ORIENTAL CONSULTANS CO.,LTD IN CONSORTIUM WITH JAPAN ENGINEERING CONSULTANTS CO.,LTD	PREPARED CHECKED	DATE	SHEET NO
				S=1:50		DATE		SUBMITTED		

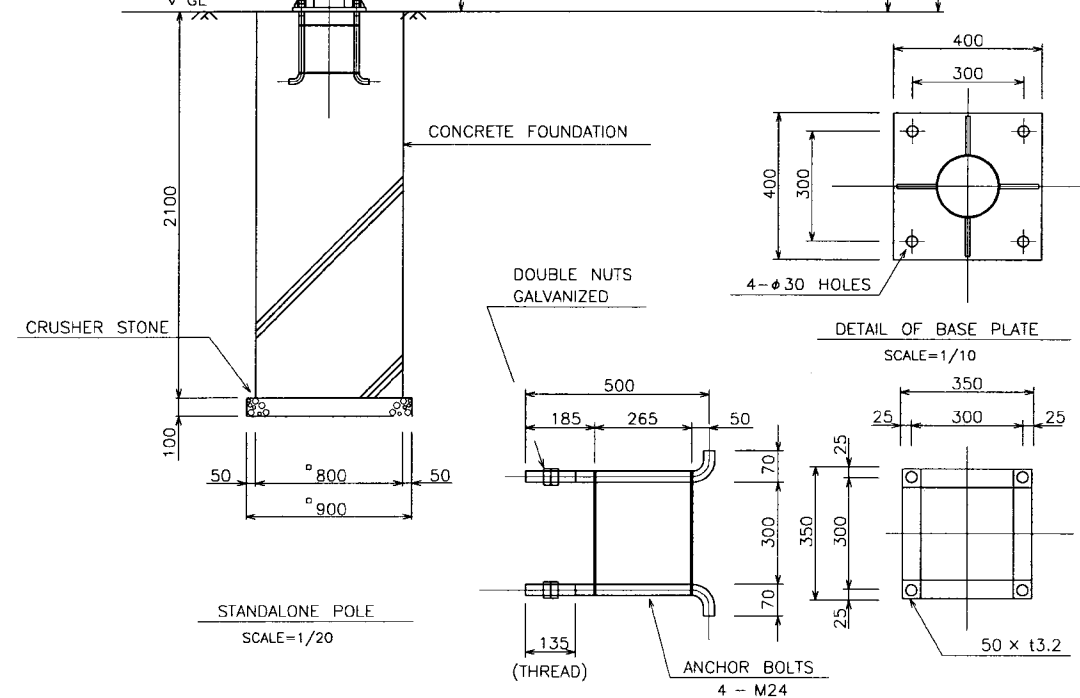
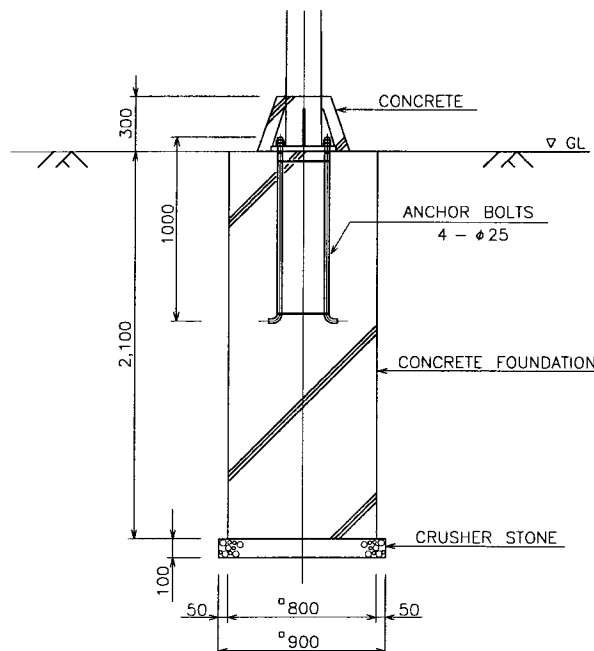
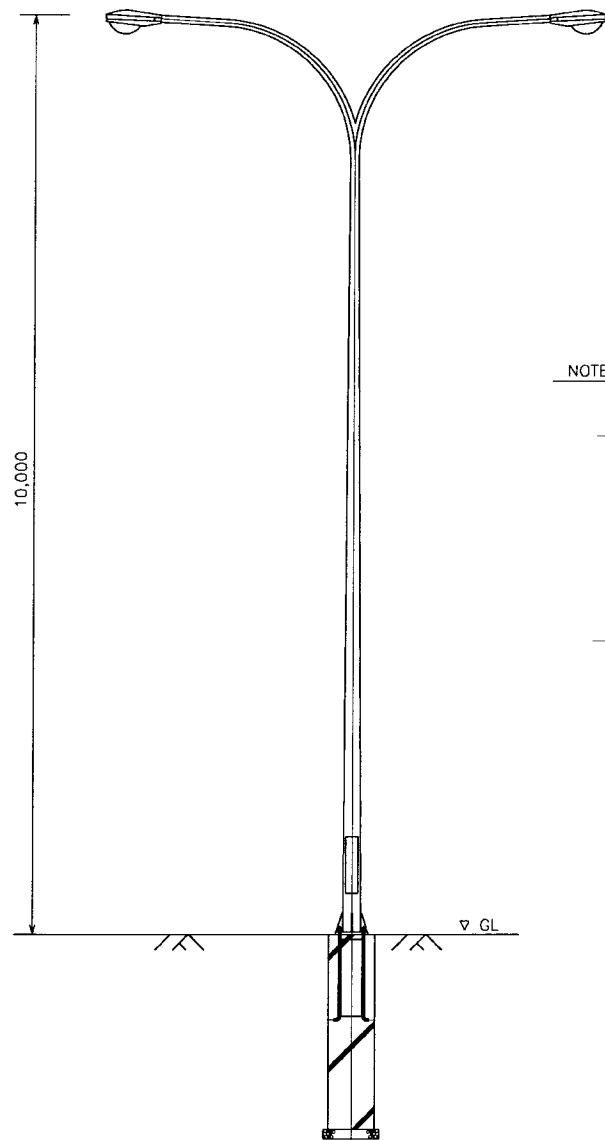
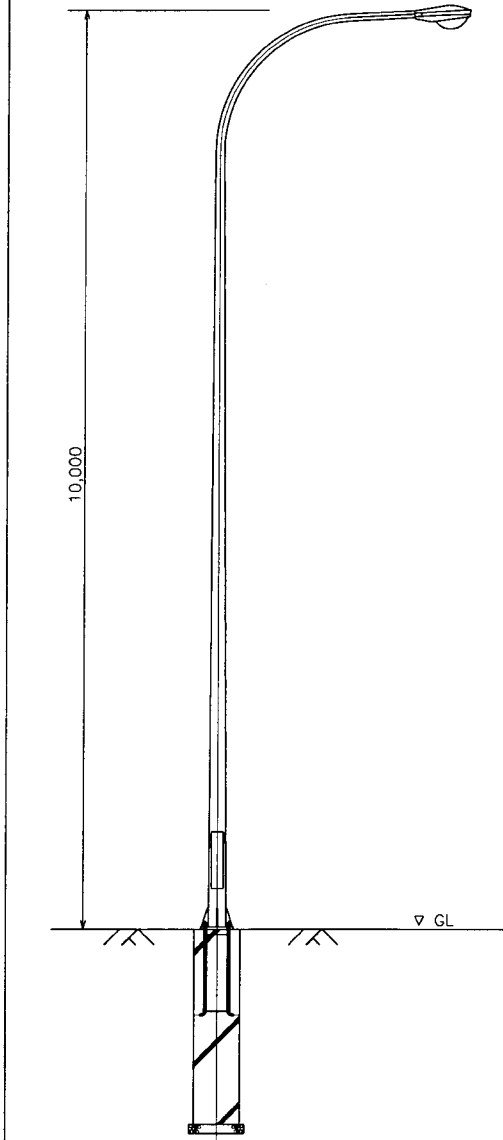


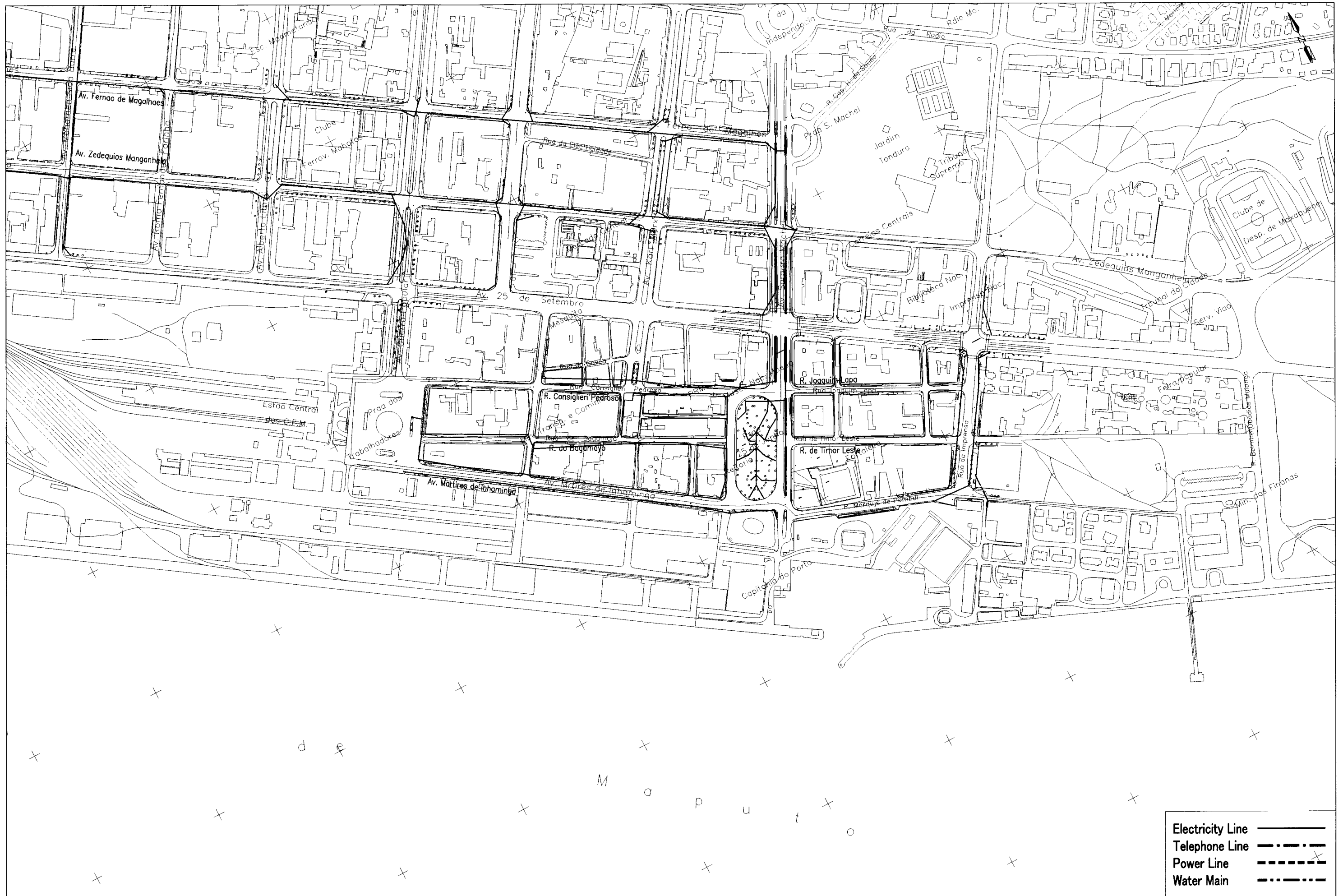
NO.	PART	MATERIAL	QTY	REMARKS
4	ANCHOR BOLTS	SS41	4	WITH SPRINGS FLAT WASHERS AND NUTS
3	STANDALONE POLE	STK41	1	ø76.3 T2.8
2	FLANGE	FC20	1	
1	LIGHTS		1 SET	

- ② IRINGA ST. INTERSECTION
- ③ KINONDONI ROAD (1) INTERSECTION
- ④ KINONDONI ROAD (2) INTERSECTION
- ⑤ MWINYIJUMA ROAD (1) INTERSECTION
- ⑦ ROAD G
- ⑧ CONDOA ST., MOROGORO ROAD INTERSECTION
- ⑪ PUGU ROAD (1) INTERSECTION
- ⑫ PUGU ROAD (2)



NOTE 1: Colors of painting: Munsell 2.5pb7/2 for both outer and inner surfaces of Signal Lights.
Inside of hood Defrosted N1.5
2: The Standalone Pole is zinc-plated by hot dipping.





Electricity Line	———
Telephone Line	- - - - -
Power Line	- - - - -
Water Main	- - - - -

MUNICIPAL COUNCIL OF MAPUTO THE CITY OF MAPUTO THE REPUBLIC OF MOZAMBIQUE	THE STUDY ON THE MASTER PLAN AND FEASIBILITY STUDY OF THE CITY OF MAPUTO	ORIENTAL CONSULTANS CO.,LTD IN CONSORTIUM WITH JAPAN ENGINEERING CONSULTANTS CO.,LTD	Public Utility Relocation Plan (1)	SCALE H=1:5000	MUNICIPAL COUNCIL OF MAPUTO THE CITY OF MAPUTO THE REPUBLIC OF MOZAMBIQUE	APPROVED DATE	ORIENTAL CONSULTANS CO.,LTD IN CONSORTIUM WITH JAPAN ENGINEERING CONSULTANTS CO.,LTD	PREPARED CHECKED SUBMITTED	DATE	SHEET NO 62
---	--	--	------------------------------------	-------------------	---	------------------	---	-------------------------------	------	----------------



<p>MUNICIPAL COUNCIL OF MAPUTO THE CITY OF MAPUTO THE REPUBLIC OF MOZAMBIQUE</p>	<p>THE STUDY ON THE MASTER PLAN AND FEASIBILITY STUDY OF THE CITY OF MAPUTO</p>	<p>ORIENTAL CONSULTANS CO.,LTD IN CONSORTIUM WITH JAPAN ENGINEERING CONSULTANTS CO.,LTD</p>	<p>Public Utility Relocation Plan (2)</p>	<p>SCALE H=1:5000</p>	<p>MUNICIPAL COUNCIL OF MAPUTO THE CITY OF MAPUTO THE REPUBLIC OF MOZAMBIQUE</p>	<p>APPROVED DATE</p>	<p>ORIENTAL CONSULTANTS CO.,LTD IN CONSORTIUM WITH JAPAN ENGINEERING CONSULTANTS CO.,LTD</p>	<p>PREPARED CHECKED SUBMITTED</p>	<p>DATE</p>	<p>SHEET NO 63</p>
--	---	---	---	---------------------------	--	--------------------------	--	---------------------------------------	-------------	------------------------



<p>MUNICIPAL COUNCIL OF MAPUTO THE CITY OF MAPUTO THE REPUBLIC OF MOZAMBIQUE</p>	<p>THE STUDY ON THE MASTER PLAN AND FEASIBILITY STUDY OF THE CITY OF MAPUTO</p>	<p>ORIENTAL CONSULTANTS CO.,LTD IN CONSORTIUM WITH JAPAN ENGINEERING CONSULTANTS CO.,LTD</p>	<p>Public Utility Relocation Plan (3)</p>	<p>SCALE H=1:5000</p>	<p>MUNICIPAL COUNCIL OF MAPUTO THE CITY OF MAPUTO THE REPUBLIC OF MOZAMBIQUE</p>	<p>APPROVED DATE</p>	<p>ORIENTAL CONSULTANTS CO.,LTD IN CONSORTIUM WITH JAPAN ENGINEERING CONSULTANTS CO.,LTD</p>	<p>PREPARED CHECKED SUBMITTED</p>	<p>DATE</p>	<p>SHEET NO 64</p>
--	---	--	---	---------------------------	--	--------------------------	--	---------------------------------------	-------------	------------------------



<p>MUNICIPAL COUNCIL OF MAPUTO THE CITY OF MAPUTO THE REPUBLIC OF MOZAMBIQUE</p>	<p>THE STUDY ON THE MASTER PLAN AND FEASIBILITY STUDY OF THE CITY OF MAPUTO</p>	<p>ORIENTAL CONSULTANS CO.,LTD IN CONSORTIUM WITH JAPAN ENGINEERING CONSULTANTS CO.,LTD</p>	<p>Public Utility Relocation Plan (4)</p>	<p>SCALE H=1:5000</p>	<p>MUNICIPAL COUNCIL OF MAPUTO THE CITY OF MAPUTO THE REPUBLIC OF MOZAMBIQUE</p>	<p>APPROVED DATE</p>	<p>ORIENTAL CONSULTANS CO.,LTD IN CONSORTIUM WITH JAPAN ENGINEERING CONSULTANTS CO.,LTD</p>	<p>PREPARED CHECKED SUBMITTED</p>	<p>DATE</p>	<p>SHEET NO 65</p>
--	---	---	---	---------------------------	--	--------------------------	---	---------------------------------------	-------------	------------------------



<p>MUNICIPAL COUNCIL OF MAPUTO THE CITY OF MAPUTO THE REPUBLIC OF MOZAMBIQUE</p>	<p>THE STUDY ON THE MASTER PLAN AND FEASIBILITY STUDY OF THE CITY OF MAPUTO</p>	<p>ORIENTAL CONSULTANTS CO.,LTD IN CONSORTIUM WITH JAPAN ENGINEERING CONSULTANTS CO.,LTD</p>	<p>Public Utility Relocation Plan (3)</p>	<p>SCALE H=1:5000</p>	<p>MUNICIPAL COUNCIL OF MAPUTO THE CITY OF MAPUTO THE REPUBLIC OF MOZAMBIQUE</p>	<p>APPROVED DATE</p>	<p>ORIENTAL CONSULTANTS CO.,LTD IN CONSORTIUM WITH JAPAN ENGINEERING CONSULTANTS CO.,LTD</p>	<p>PREPARED CHECKED SUBMITTED</p>	<p>DATE</p>	<p>SHEET NO 64</p>
--	---	--	---	---------------------------	--	--------------------------	--	---------------------------------------	-------------	------------------------

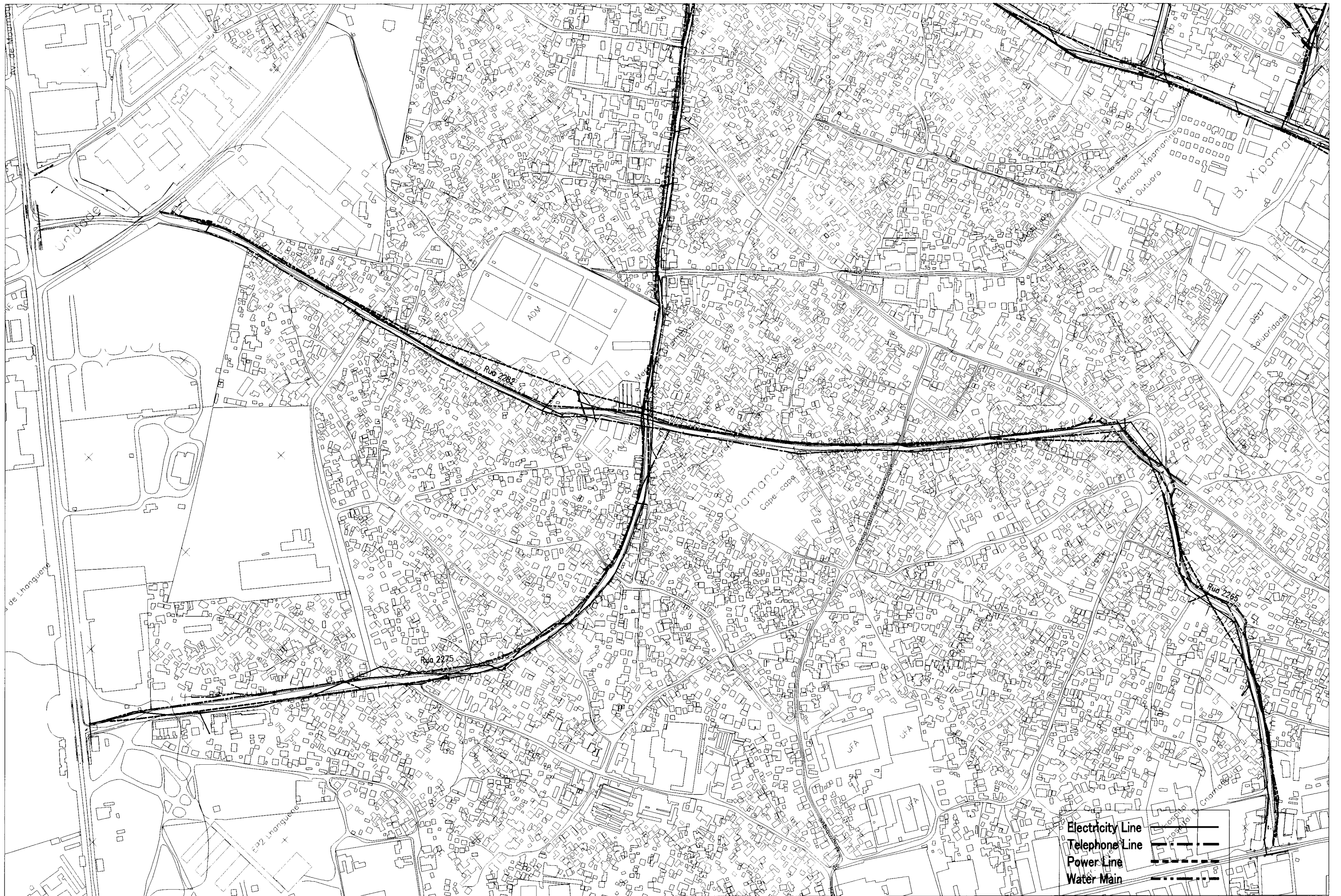


MUNICIPAL COUNCIL OF MAPUTO THE CITY OF MAPUTO THE REPUBLIC OF MOZAMBIQUE	THE STUDY ON THE MASTER PLAN AND FEASIBILITY STUDY OF THE CITY OF MAPUTO	ORIENTAL CONSULTANS CO.,LTD IN CONSORTIUM WITH JAPAN ENGINEERING CONSULTANTS CO.,LTD	Public Utility Relocation Plan (4)	SCALE H=1:5000	MUNICIPAL COUNCIL OF MAPUTO THE CITY OF MAPUTO THE REPUBLIC OF MOZAMBIQUE	APPROVED DATE	ORIENTAL CONSULTANS CO.,LTD IN CONSORTIUM WITH JAPAN ENGINEERING CONSULTANTS CO.,LTD	PREPARED CHECKED SUBMITTED	DATE	SHEET NO 65
---	--	--	------------------------------------	-------------------	---	------------------	---	-------------------------------	------	----------------



Electricity Line	—————
Telephone Line	- - - - -
Power Line	- - - - -
Water Main

MUNICIPAL COUNCIL OF MAPUTO THE CITY OF MAPUTO THE REPUBLIC OF MOZAMBIQUE	THE STUDY ON THE MASTER PLAN AND FEASIBILITY STUDY OF THE CITY OF MAPUTO	ORIENTAL CONSULTANTS CO.,LTD IN CONSORTIUM WITH JAPAN ENGINEERING CONSULTANTS CO.,LTD	Public Utility Relocation Plan (5)	SCALE H=1:5000	MUNICIPAL COUNCIL OF MAPUTO THE CITY OF MAPUTO THE REPUBLIC OF MOZAMBIQUE	APPROVED	ORIENTAL CONSULTANTS CO.,LTD IN CONSORTIUM WITH JAPAN ENGINEERING CONSULTANTS CO.,LTD	PREPARED	DATE	SHEET NO 66
					DATE	CHECKED		SUBMITTED		



Electricity Line —————
 Telephone Line - - - - -
 Power Line - · - · - ·
 Water Main · · · · ·

MUNICIPAL COUNCIL OF MAPUTO THE CITY OF MAPUTO THE REPUBLIC OF MOZAMBIQUE	THE STUDY ON THE MASTER PLAN AND FEASIBILITY STUDY OF THE CITY OF MAPUTO	ORIENTAL CONSULTANS CO.,LTD IN CONSORTIUM WITH JAPAN ENGINEERING CONSULTANTS CO.,LTD	Public Utility Relocation Plan(6)	SCALE H=1:5000	MUNICIPAL COUNCIL OF MAPUTO THE CITY OF MAPUTO THE REPUBLIC OF MOZAMBIQUE	APPROVED DATE	ORIENTAL CONSULTANS CO.,LTD IN CONSORTIUM WITH JAPAN ENGINEERING CONSULTANTS CO.,LTD	PREPARED CHECKED SUBMITTED	DATE	SHEET NO 67
---	--	--	-----------------------------------	-------------------	---	------------------	---	-------------------------------	------	----------------