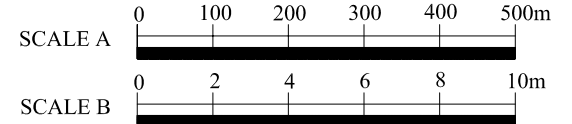
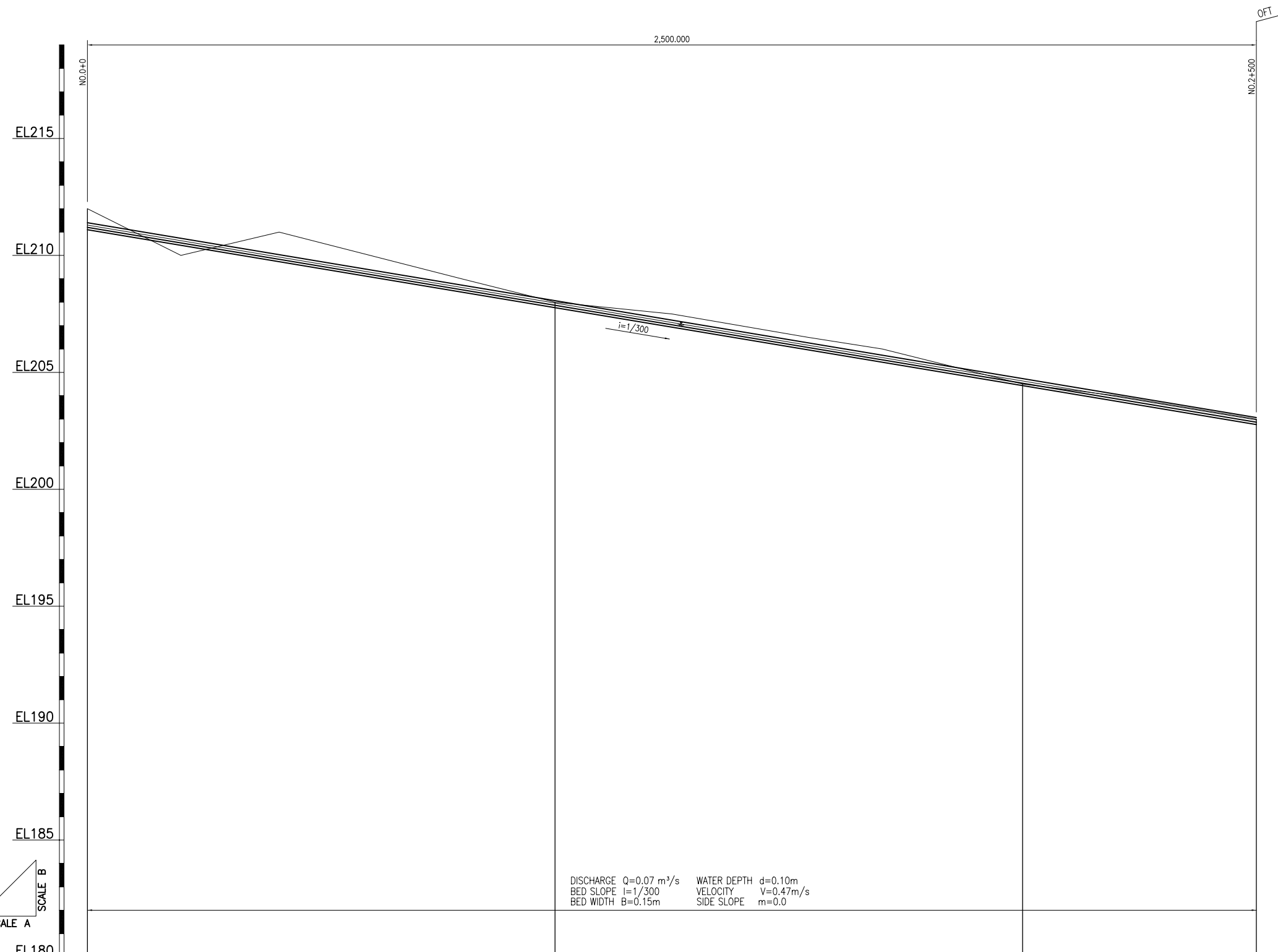


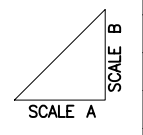
**LEGEND**

- OFT : OFFTAKE OR TURNOUT
- DRP : DORP
- CHK : CHEK
- SPY : SPILLWAY
- AQT : AQUEDUCT
- BOC : BOX CULVERTE
- SY- : SYPHON





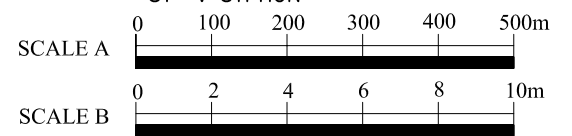
DISCHARGE Q=0.07 m<sup>3</sup>/s    WATER DEPTH d=0.10m  
 BED SLOPE i=1/300    VELOCITY V=0.47m/s  
 BED WIDTH B=0.15m    SIDE SLOPE m=0.0



PROPOSED CANAL BED ELEVATION	212.20	207.87	204.53	202.87
PROPOSED WATER SURFACE ELEVATION	211.30	207.97	204.63	202.97
GROUND SURFACE ELEVATION	212.0	208.0	204.5	203.0
REDUED DISTANCE	0	1000	2000	2500
DISTANCE	0	1000	1000	500
STATION	NO.0	NO.1	NO.2	+500

**LEGEND**

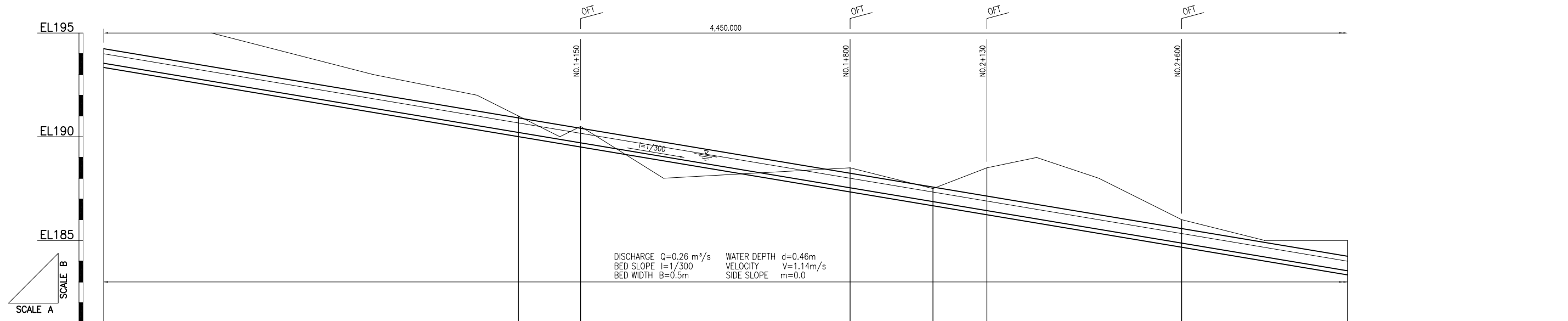
- OFT : OFFTAKE OR TURNOUT
- DRP : DORP
- CHK : CHEK
- SPY : SPILLWAY
- AQT : AQUEDUCT
- BOC : BOX CULVERTE
- SY- : SYPHON



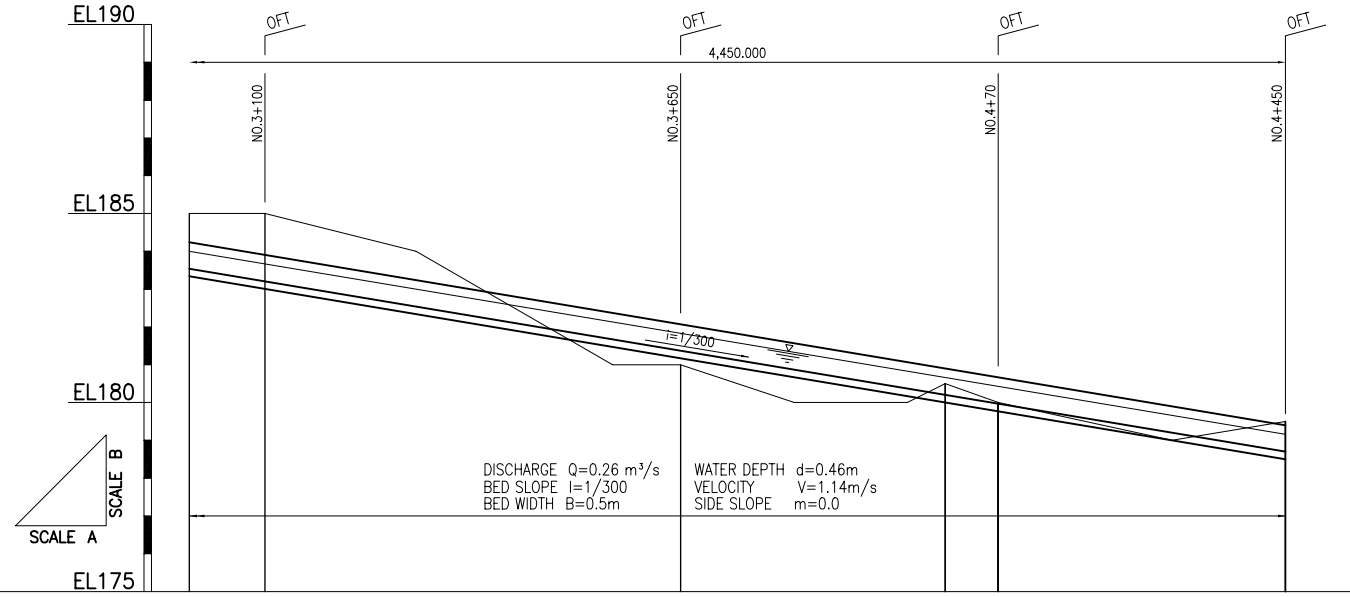
L'ETUDE DE FAISABILITE POUR  
 LE DEVELOPPEMENT DES RESSOURCES EN EAU  
 PAR LES BARRAGES MOYENS DANS LE MILIEU RURAL

Plan 115  
 N'Fifikh Irrigation  
 Coupe longitudinale du Canal principal d'alimentation (1)

L'AGENCE JAPONAISE DE COOPERATION INTERNATIONALE



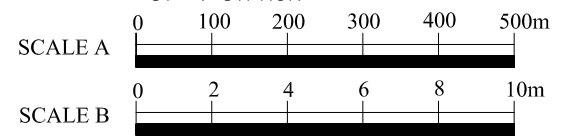
PROPOSED CANAL BED ELEVATION	193.54		190.21	189.71		187.54	186.87	186.44		184.87	183.54
PROPOSED WATER SURFACE ELEVATION	194.00		190.67	190.17		188.00	187.33	186.90		185.33	184.00
GROUND SURFACE ELEVATION	200.0		191.0	190.5		188.5	187.5	188.5		186.0	185.0
REDUED DISTANCE	0		1000	1150		1800	2000	2130		2600	3000
DISTANCE	0		1000	150		650	200	130		470	400
STATION	NO.0		NO.1	+150		+800	NO.2	+130		+600	NO.3

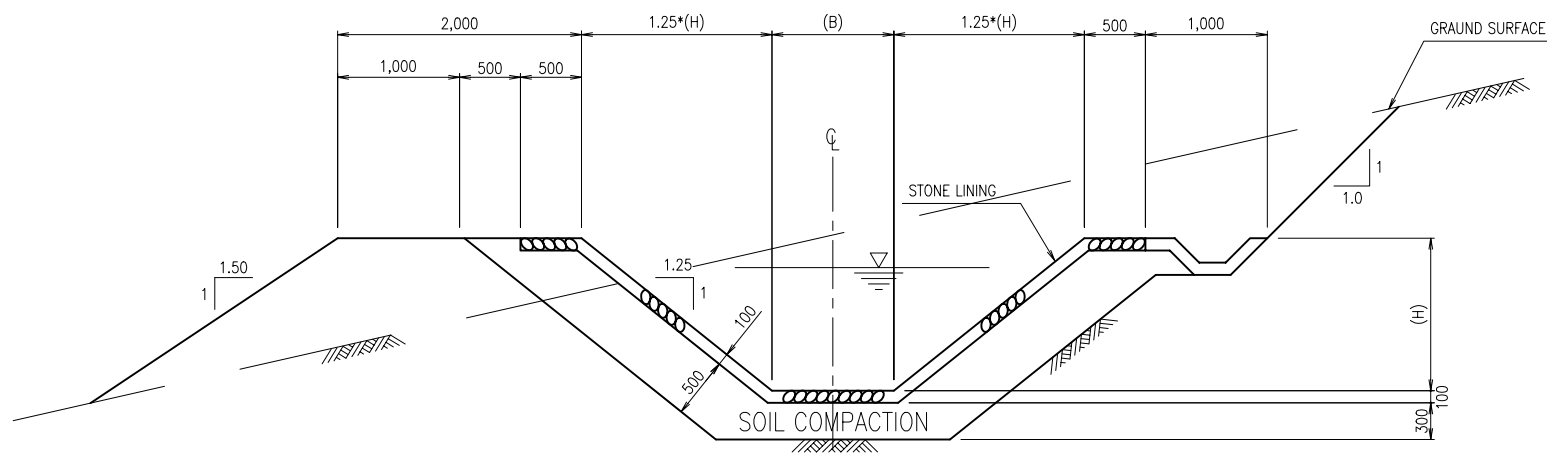


PROPOSED CANAL BED ELEVATION	183.54	183.21	181.37	180.20	179.97	178.70
PROPOSED WATER SURFACE ELEVATION	184.00	183.67	181.83	180.66	180.43	179.16
GROUND SURFACE ELEVATION	185.0	185.0	181.0	180.5	180.0	179.5
REDUED DISTANCE	3000	3100	3650	4000	4070	4450
DISTANCE	0	100	550	350	70	380
STATION	NO.3	+100	+650	NO.4	+70	+450

**LEGEND**

- OFT : OFFTAKE OR TURNOUT
- DRP : DORP
- CHK : CHEK
- SPY : SPILLWAY
- AQT : AQUEDUCT
- BOC : BOX CULVERTE
- SY- : SYPHON

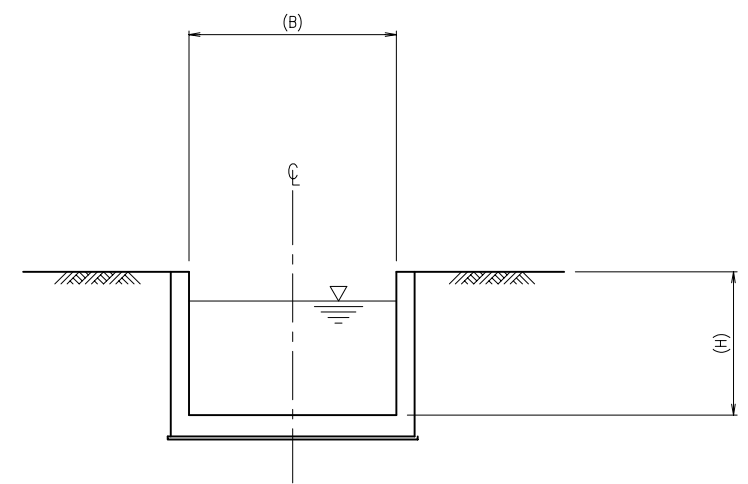




CROSS SECTION OF CANAL

Dimension

No.	CANAL	STATION		LENGTH (m)	(B) mm	(H) mm	Remarks
		FROM	TO				
1	Main	0+000	2+200	2,200	800	1,000	
2	Ditto	2+200	6+900	4,700	620	800	



CROSS SECTION OF FLUME

Dimension

No.	CANAL	STATION		LENGTH (m)	(B) mm	(H) mm	Remarks
		FROM	TO				
M-1	Main	6+900	9+200	2,300	650	800	
B-1	Branch	0+000	0+059	59	1,350	890	
B-2	Ditto	0+067	0+175	108	1,350	890	
B-3	Ditto	0+195	3+800	3,605	1,350	890	
B-4	Ditto	3+860	4+150	290	1,350	890	
B-5	Ditto	4+150	4+900	750	1,100	760	
B-6	Ditto	5+060	5+080	20	1,100	760	
B-7	Ditto	5+260	6+050	790	1,100	760	
B-8	Ditto	6+080	7+150	1,070	1,100	760	
B-9	Ditto	7+150	7+830	680	700	570	
B-10	Ditto	7+870	8+640	1,490	700	570	
B-11	Ditto	8+660	8+700	40	700	570	
B-12	Ditto	8+720	9+150	430	700	570	
F1-1	MF(1)	0+000	2+500	2,500	150	200	
F2-1	MF(2)	0+000	4+450	4,450	500	700	

MF:MAIN FEEDER CANAL

