

Rural Area in

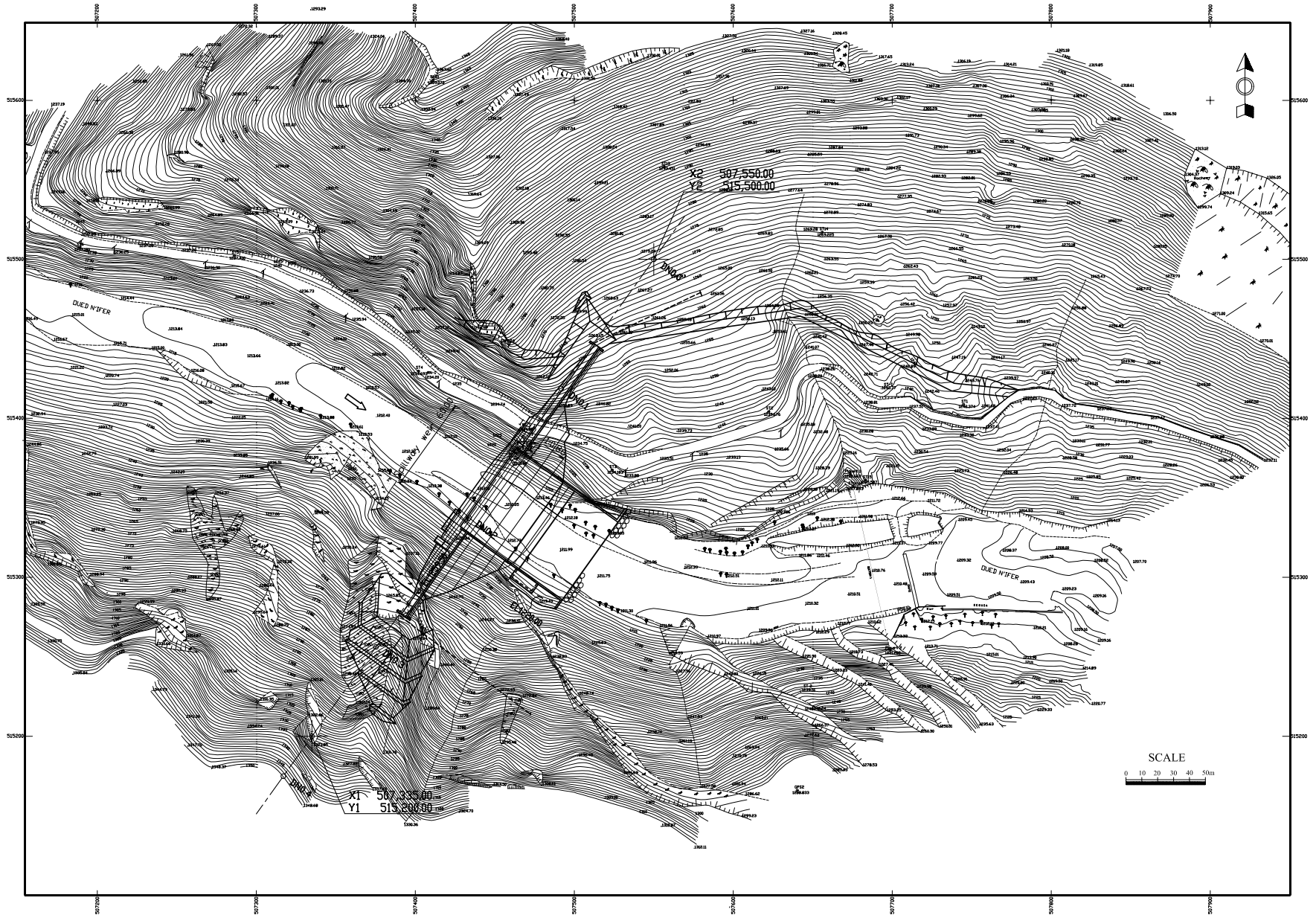
*Feasibility Study on Water Resources Development in
the*

Kingdom of Morocco

Final Report

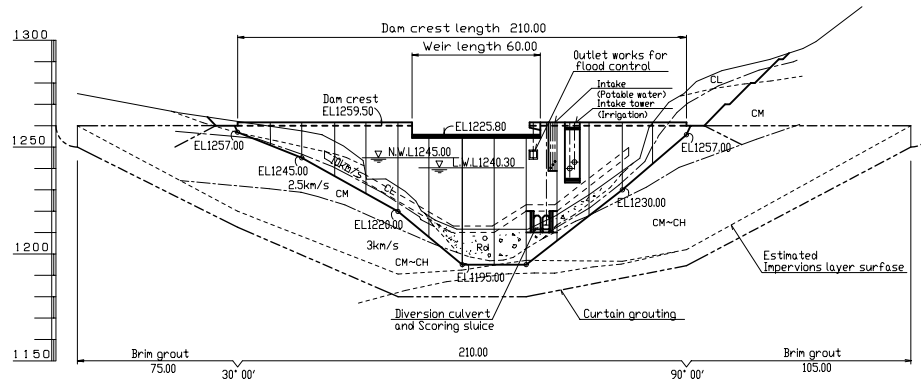
Volume II Main Report

Figures



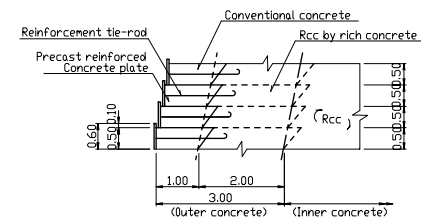
FEASIBILITY STUDY ON
 WATER RESOURCES DEVELOPMENT
 IN RURAL AREA
 JAPAN INTERNATIONAL COOPERATION AGENCY

Figure 9.1.7
Timkit Dam General Layout

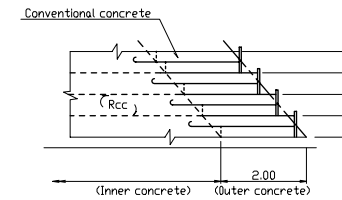


PROPOSED FOUNDATION ELEVATION		1257.00	1245.00	1220.00	1195.00	1195.00	1230.00	1257.00	
REDUCED DISTANCE	0.00	65.00	95.00	140.00	170.00	200.00	245.00	275.00	300.00
STATION	DNO.0	DNO.0 +65.00	DNO.0 +95.00	DNO.1 +40.00	DNO.1 +70.00	DNO.2 +200.00	DNO.2 +45.00	DNO.3 +75.00	DNO.3 +300.00

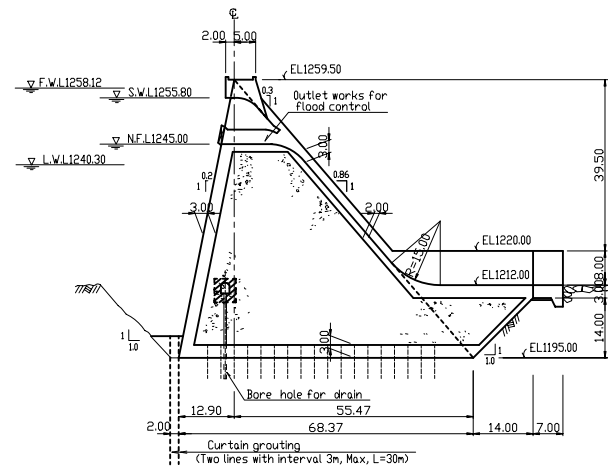
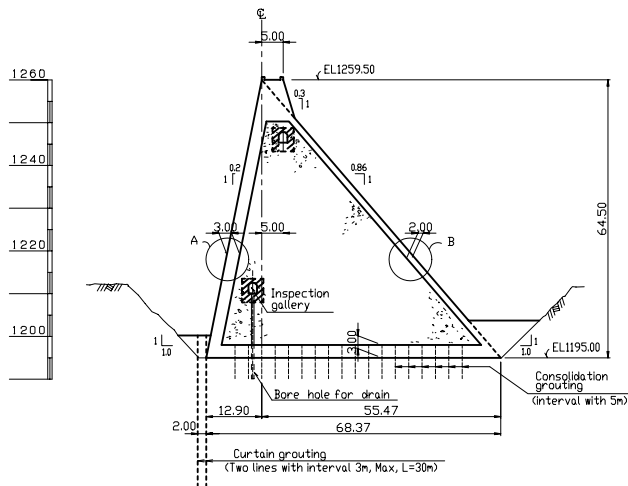
LONGITUDINAL PROFILE SCALE A



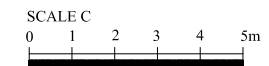
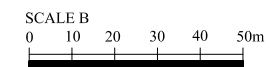
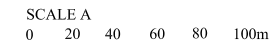
DETAIL A SCALE C







DETAIL B SCALE C



STANDARD CROSS SECTION SCALE B



IRRIGATION AREA of 3,825 ha in gross

- LEGEND**
-  : Proposed Storage Dam
 -  : Existing Diversion Weir
 -  : Existing Main Canal
 -  : Existing Canal (Seguia)

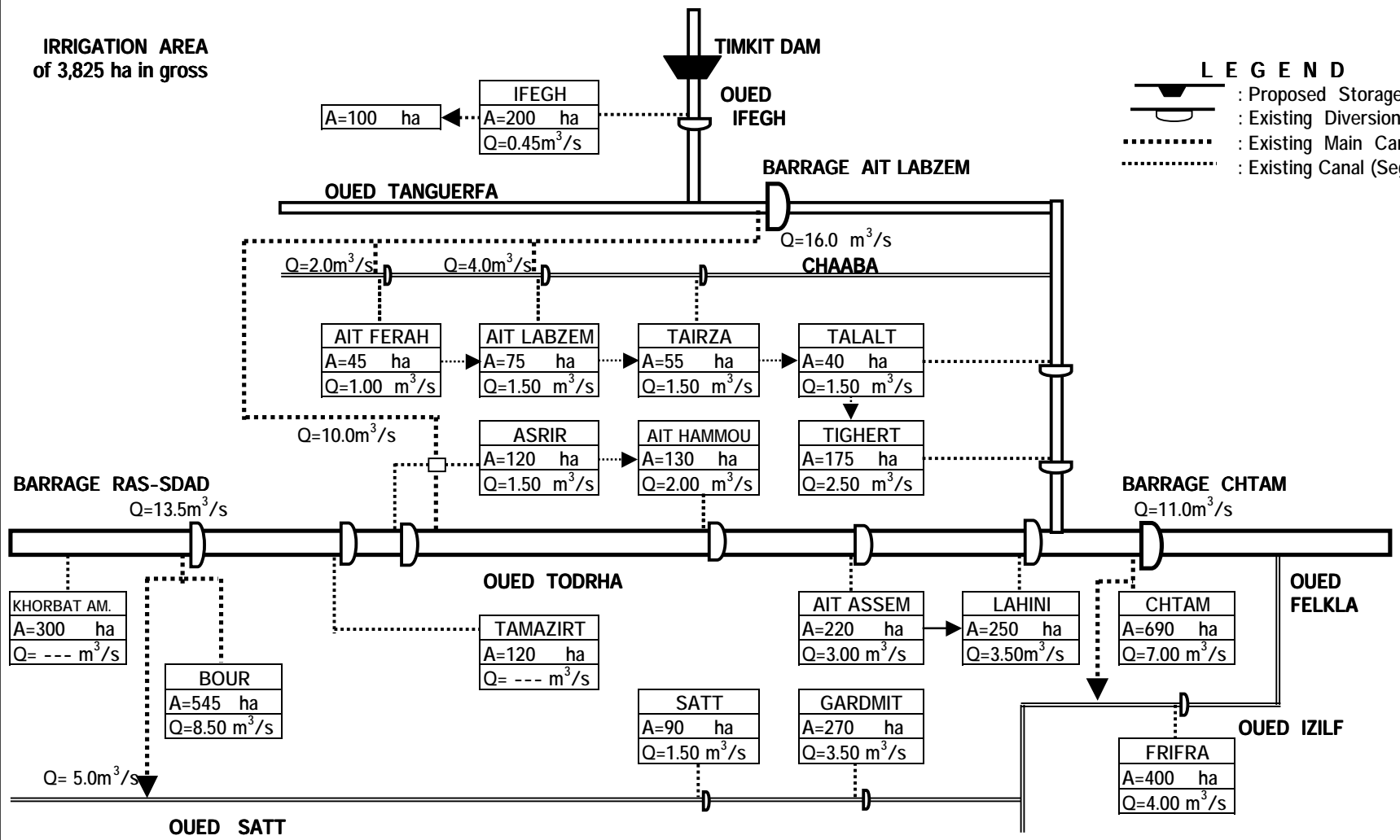


Figure 9.1.9
 Irrigation Diagram of Timkit