

*Rural Area in*

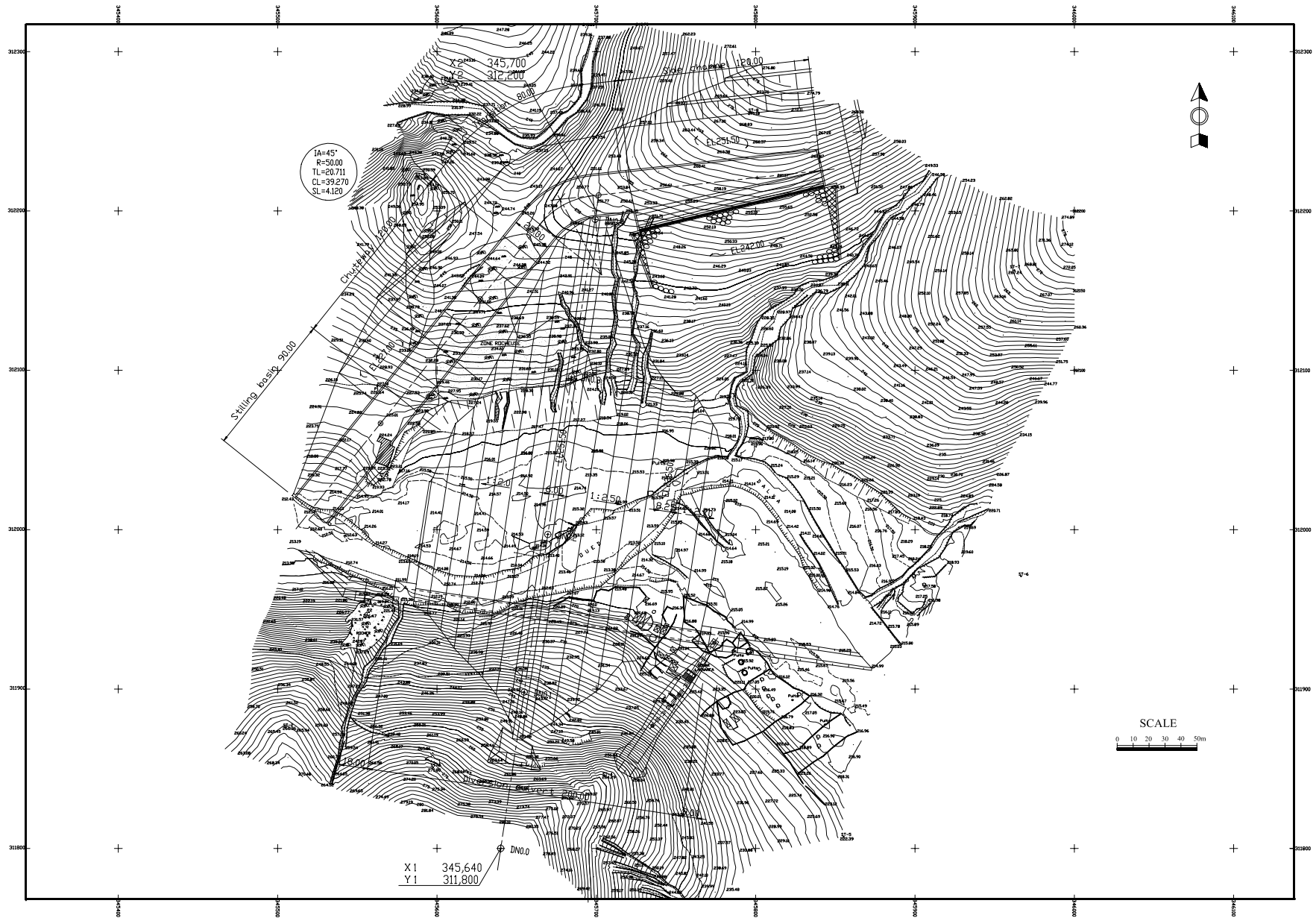
*Feasibility Study on Water Resources Development in  
the*

*Kingdom of Morocco*

*Final Report*

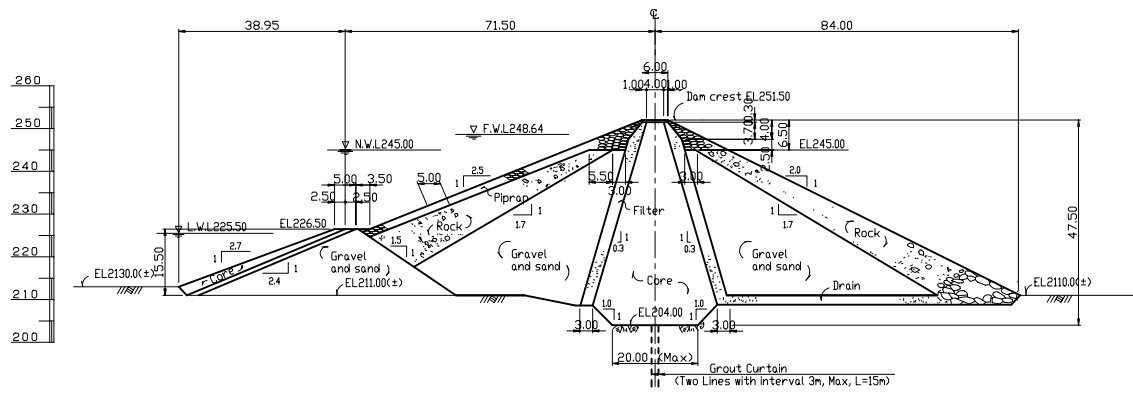
*Volume II Main Report*

## ***Figures***

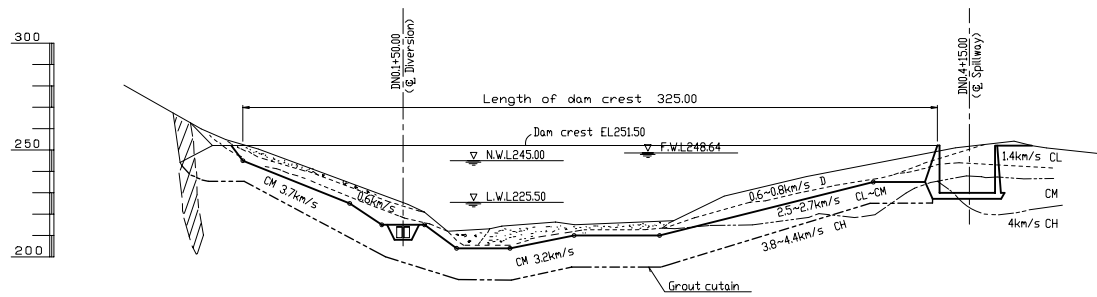


FEASIBILITY STUDY ON  
 WATER RESOURCES DEVELOPMENT  
 IN RURAL AREA  
 JAPAN INTERNATIONAL COOPERATION AGENCY

**Figure 9.1.1**  
**N'Fifikh Dam General Layout**

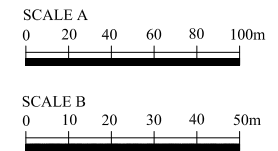


STANDARD CROSS SECTION SCALE B

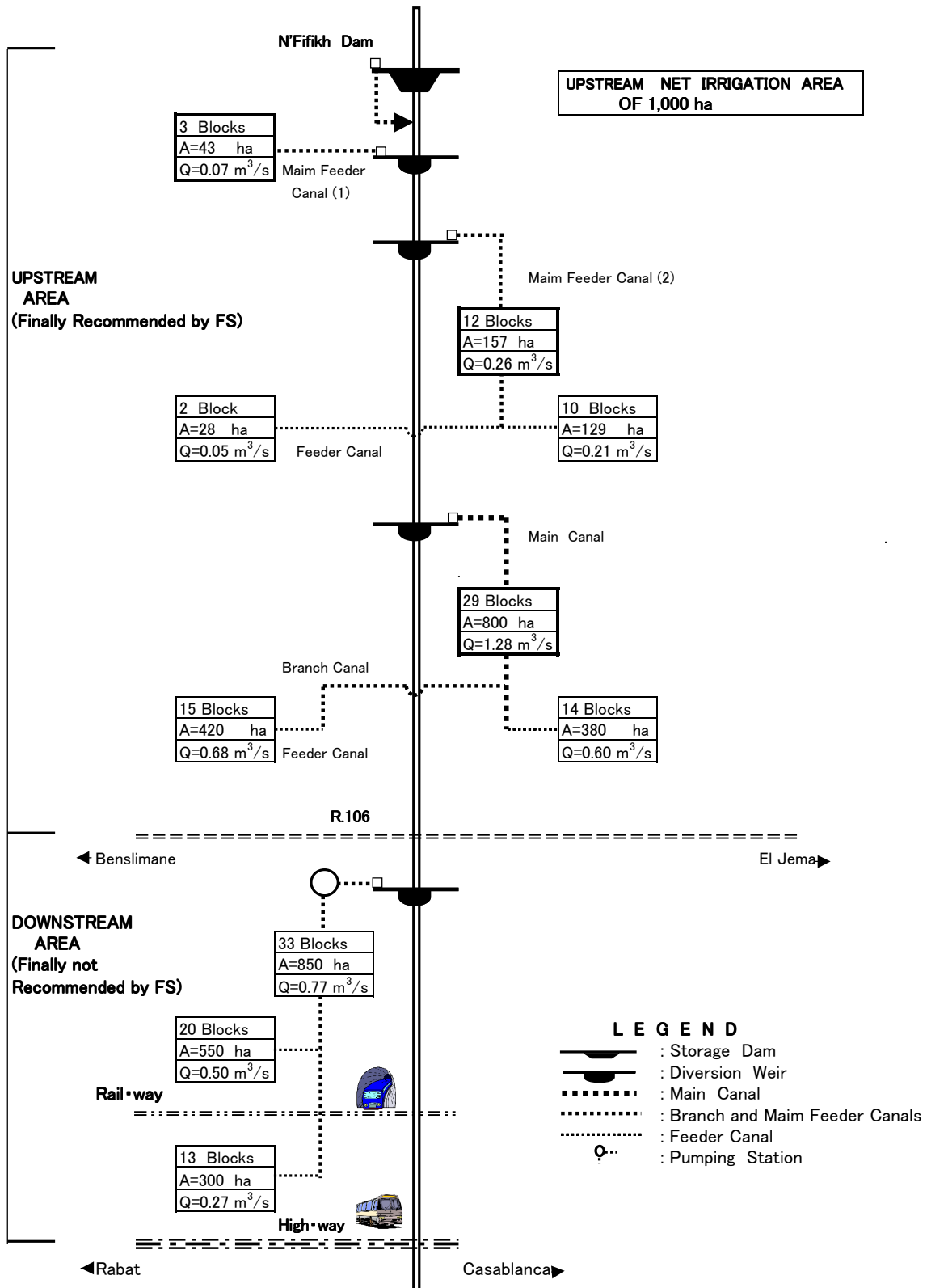


LONGITUDINAL PROFILE SCALE A

|                               |      |            |        |            |            |            |        |            |            |        |            |        |             |
|-------------------------------|------|------------|--------|------------|------------|------------|--------|------------|------------|--------|------------|--------|-------------|
| PROPOSED FOUNDATION ELEVATION |      | 245.00     | 245.00 | 225.00     | 215.00     | 215.00     | 204.00 | 200.00     | 200.00     | 200.00 | 200.00     | 235.00 | 235.00      |
| REDUCED DISTANCE              | 0.00 | 75.00      | 100.00 | 125.00     | 140.00     | 160.00     | 175.00 | 200.00     | 230.00     | 270.00 | 300.00     | 370.00 | 400.00      |
| STATION                       | DN00 | DN00+75.00 | DN01   | DN01+25.00 | DN01+60.00 | DN01+75.00 | DN02   | DN02+50.00 | DN02+70.00 | DN03   | DN03+70.00 | DN04   | DN04+400.00 |



FEASIBILITY STUDY ON WATER RESOURCES DEVELOPMENT IN RURAL AREA  
**Figure 9.1.2 N'Fifikh Dam Standard Cross Section and Longitudinal Profile**  
 JAPAN INTERNATIONAL COOPERATION AGENCY



FEASIBILITY STUDY ON  
WATER RESOURCES DEVELOPMENT  
IN RURAL AREA

**Figure 9.1.3**  
**Irrigation Diagram of NFifikh**