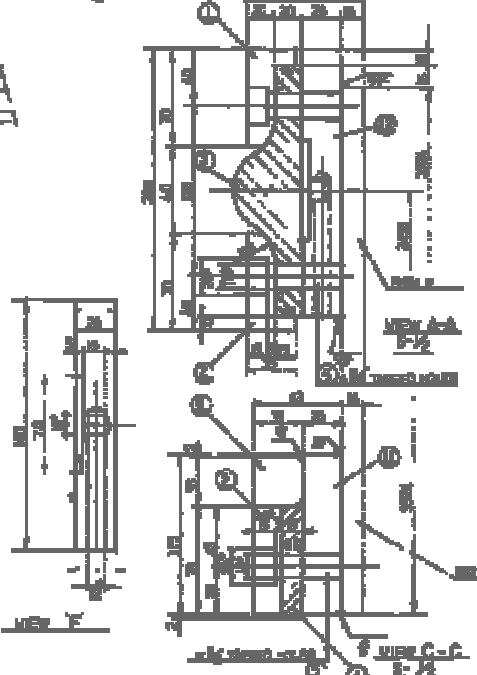
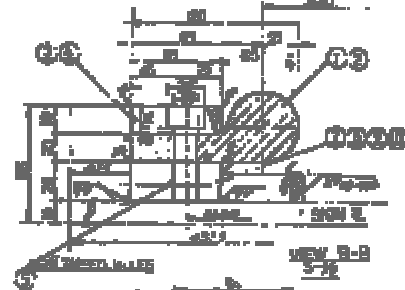


DETAIL OF SEAL RUBBER
E-A



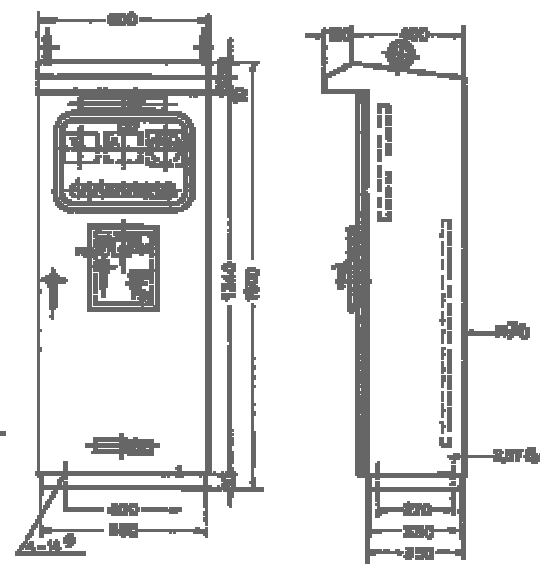
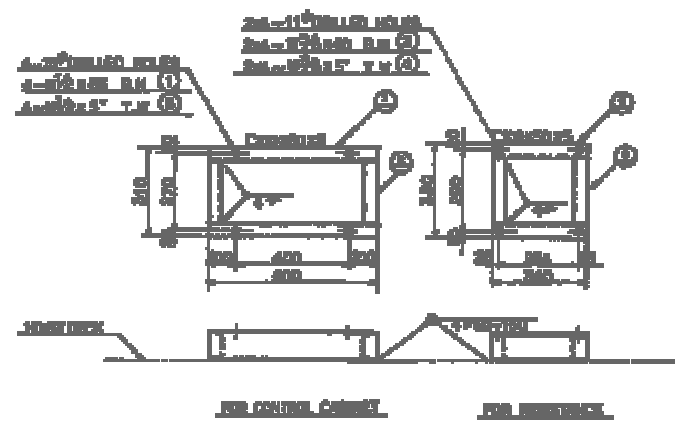
NO.	QTY	UNIT	REMARKS
①	1	個	鋼製取付金具
②	1	個	鋼製取付金具
③	1	個	鋼製取付金具
④	1	個	鋼製取付金具
⑤	1	個	鋼製取付金具
⑥	1	個	鋼製取付金具
⑦	1	個	鋼製取付金具
⑧	1	個	鋼製取付金具
⑨	1	個	鋼製取付金具
⑩	1	個	鋼製取付金具
⑪	1	個	鋼製取付金具
⑫	1	個	鋼製取付金具
⑬	1	個	鋼製取付金具
⑭	1	個	鋼製取付金具
⑮	1	個	鋼製取付金具
⑯	1	個	鋼製取付金具
⑰	1	個	鋼製取付金具
⑱	1	個	鋼製取付金具
⑲	1	個	鋼製取付金具
⑳	1	個	鋼製取付金具
㉑	1	個	鋼製取付金具
㉒	1	個	鋼製取付金具
㉓	1	個	鋼製取付金具
㉔	1	個	鋼製取付金具
㉕	1	個	鋼製取付金具
㉖	1	個	鋼製取付金具
㉗	1	個	鋼製取付金具
㉘	1	個	鋼製取付金具
㉙	1	個	鋼製取付金具
㉚	1	個	鋼製取付金具
㉛	1	個	鋼製取付金具
㉜	1	個	鋼製取付金具
㉝	1	個	鋼製取付金具
㉞	1	個	鋼製取付金具
㉟	1	個	鋼製取付金具
㊱	1	個	鋼製取付金具
㊲	1	個	鋼製取付金具
㊳	1	個	鋼製取付金具
㊴	1	個	鋼製取付金具
㊵	1	個	鋼製取付金具
㊶	1	個	鋼製取付金具
㊷	1	個	鋼製取付金具
㊸	1	個	鋼製取付金具
㊹	1	個	鋼製取付金具
㊺	1	個	鋼製取付金具
㊻	1	個	鋼製取付金具
㊼	1	個	鋼製取付金具
㊽	1	個	鋼製取付金具
㊾	1	個	鋼製取付金具
㊿	1	個	鋼製取付金具

NOTE
 1. DIMENSIONS ARE IN MILLIMETERS.
 2. UNLESS OTHERWISE SPECIFIED, MATERIALS SHALL BE AS SHOWN IN THE SPECIFICATION.

SPECIFICATION
 1. MATERIAL : STEEL
 2. COLOR : BLACK
 3. FINISH : GALVANNEAL
 4. DIMENSIONAL TOLERANCES : SEE PRECEDING DRAWING
 5. SURFACE FINISH : 20-30

Electricite du Laos The Nam Ngum I Hydropower Station Rehabilitation Project			
DWN	K.Seto	SCALE	TITLE
CHKD	N.Nakato	—	1・2号取水ロケット シールカバー詳細図
APPD	N.Nakato	DATE	
NIPPON KOEI CO.,LTD. TOKYO, JAPAN		15 th March, 2001	DWG NO JCOP106-31

記号	記号	記号	記号	記号	記号
(1)	20-11501100	20-11501100	20-11501100	20-11501100	20-11501100
(2)	20-11501100	20-11501100	20-11501100	20-11501100	20-11501100
(3)	20-11501100	20-11501100	20-11501100	20-11501100	20-11501100
(4)	20-11501100	20-11501100	20-11501100	20-11501100	20-11501100
(5)	20-11501100	20-11501100	20-11501100	20-11501100	20-11501100



NOTE:
 REFER TO DRAWING NO. 2006-001 FOR DETAILS
 POSITION OF THE CONTROL CABINET AND EMERGENCY STOP

AVAIL SELECTED NUMBER (40x114) IN
 CONTROL BOARD 2.1
 WITH KEYS ACCESS DOORS

INTAKE GATE MOTOR LOCAL CONTROL CABINET

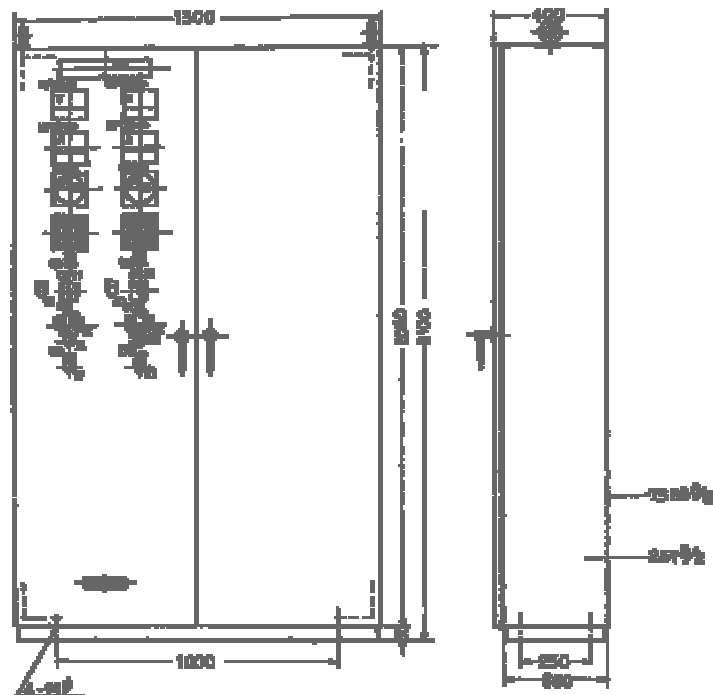
DEPARTIF DE L'ARRÊT DE LA VANNE DE LA VANNE
 CABINET DE COMMANDE EMERGENCY STOP

記号	記号	記号	記号
LD	EMERGENCY STOP	L10	EMERGENCY STOP
LD	LEVEL SWITCH	L11	LEVEL SWITCH
LD	CONTROL SWITCH	L12	CONTROL SWITCH
LD	EMERGENCY STOP	L13	EMERGENCY STOP
LD	INTAKE GATE MOTOR LOCAL CONTROL CABINET	L14	INTAKE GATE MOTOR LOCAL CONTROL CABINET
LD	EMERGENCY STOP	L15	EMERGENCY STOP
L1	LOCK CONTROL	L16	LOCK CONTROL
L1	EMERGENCY STOP	L17	EMERGENCY STOP
L1	EMERGENCY STOP	L18	EMERGENCY STOP
L1	EMERGENCY STOP	L19	EMERGENCY STOP
L1	EMERGENCY STOP	L20	EMERGENCY STOP
L1	EMERGENCY STOP	L21	EMERGENCY STOP
L1	EMERGENCY STOP	L22	EMERGENCY STOP
L1	EMERGENCY STOP	L23	EMERGENCY STOP
L1	EMERGENCY STOP	L24	EMERGENCY STOP
L1	EMERGENCY STOP	L25	EMERGENCY STOP
L1	EMERGENCY STOP	L26	EMERGENCY STOP
L1	EMERGENCY STOP	L27	EMERGENCY STOP
L1	EMERGENCY STOP	L28	EMERGENCY STOP
L1	EMERGENCY STOP	L29	EMERGENCY STOP
L1	EMERGENCY STOP	L30	EMERGENCY STOP
L1	EMERGENCY STOP	L31	EMERGENCY STOP
L1	EMERGENCY STOP	L32	EMERGENCY STOP
L1	EMERGENCY STOP	L33	EMERGENCY STOP
L1	EMERGENCY STOP	L34	EMERGENCY STOP
L1	EMERGENCY STOP	L35	EMERGENCY STOP
L1	EMERGENCY STOP	L36	EMERGENCY STOP
L1	EMERGENCY STOP	L37	EMERGENCY STOP
L1	EMERGENCY STOP	L38	EMERGENCY STOP
L1	EMERGENCY STOP	L39	EMERGENCY STOP
L1	EMERGENCY STOP	L40	EMERGENCY STOP
L1	EMERGENCY STOP	L41	EMERGENCY STOP
L1	EMERGENCY STOP	L42	EMERGENCY STOP
L1	EMERGENCY STOP	L43	EMERGENCY STOP
L1	EMERGENCY STOP	L44	EMERGENCY STOP
L1	EMERGENCY STOP	L45	EMERGENCY STOP
L1	EMERGENCY STOP	L46	EMERGENCY STOP
L1	EMERGENCY STOP	L47	EMERGENCY STOP
L1	EMERGENCY STOP	L48	EMERGENCY STOP
L1	EMERGENCY STOP	L49	EMERGENCY STOP
L1	EMERGENCY STOP	L50	EMERGENCY STOP
L1	EMERGENCY STOP	L51	EMERGENCY STOP
L1	EMERGENCY STOP	L52	EMERGENCY STOP
L1	EMERGENCY STOP	L53	EMERGENCY STOP
L1	EMERGENCY STOP	L54	EMERGENCY STOP
L1	EMERGENCY STOP	L55	EMERGENCY STOP
L1	EMERGENCY STOP	L56	EMERGENCY STOP
L1	EMERGENCY STOP	L57	EMERGENCY STOP
L1	EMERGENCY STOP	L58	EMERGENCY STOP
L1	EMERGENCY STOP	L59	EMERGENCY STOP
L1	EMERGENCY STOP	L60	EMERGENCY STOP
L1	EMERGENCY STOP	L61	EMERGENCY STOP
L1	EMERGENCY STOP	L62	EMERGENCY STOP
L1	EMERGENCY STOP	L63	EMERGENCY STOP
L1	EMERGENCY STOP	L64	EMERGENCY STOP
L1	EMERGENCY STOP	L65	EMERGENCY STOP
L1	EMERGENCY STOP	L66	EMERGENCY STOP
L1	EMERGENCY STOP	L67	EMERGENCY STOP
L1	EMERGENCY STOP	L68	EMERGENCY STOP
L1	EMERGENCY STOP	L69	EMERGENCY STOP
L1	EMERGENCY STOP	L70	EMERGENCY STOP
L1	EMERGENCY STOP	L71	EMERGENCY STOP
L1	EMERGENCY STOP	L72	EMERGENCY STOP
L1	EMERGENCY STOP	L73	EMERGENCY STOP
L1	EMERGENCY STOP	L74	EMERGENCY STOP
L1	EMERGENCY STOP	L75	EMERGENCY STOP
L1	EMERGENCY STOP	L76	EMERGENCY STOP
L1	EMERGENCY STOP	L77	EMERGENCY STOP
L1	EMERGENCY STOP	L78	EMERGENCY STOP
L1	EMERGENCY STOP	L79	EMERGENCY STOP
L1	EMERGENCY STOP	L80	EMERGENCY STOP
L1	EMERGENCY STOP	L81	EMERGENCY STOP
L1	EMERGENCY STOP	L82	EMERGENCY STOP
L1	EMERGENCY STOP	L83	EMERGENCY STOP
L1	EMERGENCY STOP	L84	EMERGENCY STOP
L1	EMERGENCY STOP	L85	EMERGENCY STOP
L1	EMERGENCY STOP	L86	EMERGENCY STOP
L1	EMERGENCY STOP	L87	EMERGENCY STOP
L1	EMERGENCY STOP	L88	EMERGENCY STOP
L1	EMERGENCY STOP	L89	EMERGENCY STOP
L1	EMERGENCY STOP	L90	EMERGENCY STOP
L1	EMERGENCY STOP	L91	EMERGENCY STOP
L1	EMERGENCY STOP	L92	EMERGENCY STOP
L1	EMERGENCY STOP	L93	EMERGENCY STOP
L1	EMERGENCY STOP	L94	EMERGENCY STOP
L1	EMERGENCY STOP	L95	EMERGENCY STOP
L1	EMERGENCY STOP	L96	EMERGENCY STOP
L1	EMERGENCY STOP	L97	EMERGENCY STOP
L1	EMERGENCY STOP	L98	EMERGENCY STOP
L1	EMERGENCY STOP	L99	EMERGENCY STOP
L1	EMERGENCY STOP	L100	EMERGENCY STOP

EMERGENCY STOP	LD
LEVEL SWITCH	L11
CONTROL SWITCH	L12
EMERGENCY STOP	L13
INTAKE GATE MOTOR LOCAL CONTROL CABINET	L14
EMERGENCY STOP	L15
LOCK CONTROL	L16
EMERGENCY STOP	L17
EMERGENCY STOP	L18
EMERGENCY STOP	L19
EMERGENCY STOP	L20
EMERGENCY STOP	L21
EMERGENCY STOP	L22
EMERGENCY STOP	L23
EMERGENCY STOP	L24
EMERGENCY STOP	L25
EMERGENCY STOP	L26
EMERGENCY STOP	L27
EMERGENCY STOP	L28
EMERGENCY STOP	L29
EMERGENCY STOP	L30
EMERGENCY STOP	L31
EMERGENCY STOP	L32
EMERGENCY STOP	L33
EMERGENCY STOP	L34
EMERGENCY STOP	L35
EMERGENCY STOP	L36
EMERGENCY STOP	L37
EMERGENCY STOP	L38
EMERGENCY STOP	L39
EMERGENCY STOP	L40
EMERGENCY STOP	L41
EMERGENCY STOP	L42
EMERGENCY STOP	L43
EMERGENCY STOP	L44
EMERGENCY STOP	L45
EMERGENCY STOP	L46
EMERGENCY STOP	L47
EMERGENCY STOP	L48
EMERGENCY STOP	L49
EMERGENCY STOP	L50
EMERGENCY STOP	L51
EMERGENCY STOP	L52
EMERGENCY STOP	L53
EMERGENCY STOP	L54
EMERGENCY STOP	L55
EMERGENCY STOP	L56
EMERGENCY STOP	L57
EMERGENCY STOP	L58
EMERGENCY STOP	L59
EMERGENCY STOP	L60
EMERGENCY STOP	L61
EMERGENCY STOP	L62
EMERGENCY STOP	L63
EMERGENCY STOP	L64
EMERGENCY STOP	L65
EMERGENCY STOP	L66
EMERGENCY STOP	L67
EMERGENCY STOP	L68
EMERGENCY STOP	L69
EMERGENCY STOP	L70
EMERGENCY STOP	L71
EMERGENCY STOP	L72
EMERGENCY STOP	L73
EMERGENCY STOP	L74
EMERGENCY STOP	L75
EMERGENCY STOP	L76
EMERGENCY STOP	L77
EMERGENCY STOP	L78
EMERGENCY STOP	L79
EMERGENCY STOP	L80
EMERGENCY STOP	L81
EMERGENCY STOP	L82
EMERGENCY STOP	L83
EMERGENCY STOP	L84
EMERGENCY STOP	L85
EMERGENCY STOP	L86
EMERGENCY STOP	L87
EMERGENCY STOP	L88
EMERGENCY STOP	L89
EMERGENCY STOP	L90
EMERGENCY STOP	L91
EMERGENCY STOP	L92
EMERGENCY STOP	L93
EMERGENCY STOP	L94
EMERGENCY STOP	L95
EMERGENCY STOP	L96
EMERGENCY STOP	L97
EMERGENCY STOP	L98
EMERGENCY STOP	L99
EMERGENCY STOP	L100

Electricite du Laos
 The Nam Ngum I Hydropower Station Rehabilitation Project

DWN	K.Seto	SCALE	TITLE
CHKD	N.Nakato	—	1-2号取水ロケット 現場操作盤
APPD	N.Nakato	DATE	
NIPPON KOEI CO.,LTD. TOKYO, JAPAN		15 th March, 2001	DWG NO JCOPI06-32



AVAILBLE STRUCTURAL MEMBERS (40x40x4)
CONTROL BOARD 2L1
WITH KEYS AND ACCESS BUSHES

INDICATOR COLOR	INDICATOR SIZE
EMERGENCY	20x12
EMERGENCY	10x5
EMERGENCY	20x5
EMERGENCY	10x5

REMOTE GATE HOIST
REMOTE CONTROL CABINET

REPERE DE SIGNIFICATION DES
SYMBOLES DE LA TABLE DE
CORRESPONDANCE

01	NOI-STOP	01	INDICATEUR NOIR
02	NOI-STOP	02	INDICATEUR NOIR
03	NOI-LOAD APPARE METER	03	INDICATEUR DE CHARGE NO 1
04	NOI-PORTION METER	04	INDICATEUR DE PORTION NO 1
05	NOI-CONTROL SWITCH	05	INDICATEUR DE COMMANDE NO 1
06	EMERGENCY PROTECTION	06	INDICATEUR DE SECOURS EN URGENCE
07	NOI-EMERGENCY SWITCH	07	COMMANDE DE SECOURS NO 1
08	NOI-LOAD APPARE METER	08	INDICATEUR NO 2
09	NOI-PORTION METER	09	INDICATEUR DE PORTION NO 2
10	NOI-CONTROL SWITCH	10	INDICATEUR DE COMMANDE NO 2
11	EMERGENCY PROTECTION	11	INDICATEUR DE SECOURS EN URGENCE
12	NOI-EMERGENCY SWITCH	12	COMMANDE DE SECOURS NO 2
NP	REMOTE GATE HOIST REMOTE CONTROL CABINET	NP	SYMBOLE DE LA TABLE DE LA CORRESPONDANCE INDICATEUR DE TELECOMMANDE
NPC	NIPPON KOEI CO.,LTD	NPC	NIPPON KOEI CO.,LTD.
L0	EMERGENCY	L0	INDICATEUR
L1	EMERGENCY	L1	INDICATEUR
L2	EMERGENCY	L2	INDICATEUR
L3	EMERGENCY	L3	INDICATEUR
L4	EMERGENCY	L4	INDICATEUR
L5	EMERGENCY	L5	INDICATEUR
L6	EMERGENCY	L6	INDICATEUR
L7	EMERGENCY	L7	INDICATEUR
L8	EMERGENCY	L8	INDICATEUR
L9	EMERGENCY	L9	INDICATEUR
L10	EMERGENCY	L10	INDICATEUR
L11	EMERGENCY	L11	INDICATEUR
L12	EMERGENCY	L12	INDICATEUR
L13	EMERGENCY	L13	INDICATEUR
L14	EMERGENCY	L14	INDICATEUR
L15	EMERGENCY	L15	INDICATEUR
L16	EMERGENCY	L16	INDICATEUR
L17	EMERGENCY	L17	INDICATEUR
L18	EMERGENCY	L18	INDICATEUR
L19	EMERGENCY	L19	INDICATEUR
L20	EMERGENCY	L20	INDICATEUR
L21	EMERGENCY	L21	INDICATEUR
L22	EMERGENCY	L22	INDICATEUR
L23	EMERGENCY	L23	INDICATEUR
L24	EMERGENCY	L24	INDICATEUR
L25	EMERGENCY	L25	INDICATEUR
L26	EMERGENCY	L26	INDICATEUR
L27	EMERGENCY	L27	INDICATEUR
L28	EMERGENCY	L28	INDICATEUR
L29	EMERGENCY	L29	INDICATEUR
L30	EMERGENCY	L30	INDICATEUR

11	NOI-REMOTE CONTROL SWITCH	RED	11	COMMANDE DE TELECOMMANDE	NOIR
12	NOI-LOAD CONTROL SWITCH	RED	12	COMMANDE DE TELECOMMANDE	NOIR
13	NOI-CONTROL SWITCH	BLACK	13	COMMANDE DE SECOURS NO 1	NOIR
14	NOI-EMERGENCY SWITCH	BLACK	14	COMMANDE DE SECOURS NO 1	NOIR
15	NOI-REMOTE CONTROL SWITCH	RED	15	COMMANDE DE TELECOMMANDE	NOIR
16	NOI-LOAD CONTROL SWITCH	RED	16	COMMANDE DE TELECOMMANDE	NOIR
17	NOI-CONTROL SWITCH	BLACK	17	COMMANDE DE SECOURS NO 2	NOIR
18	NOI-EMERGENCY SWITCH	BLACK	18	COMMANDE DE SECOURS NO 2	NOIR
19	NOI-REMOTE CONTROL SWITCH	RED	19	COMMANDE DE TELECOMMANDE	NOIR
20	NOI-LOAD CONTROL SWITCH	RED	20	COMMANDE DE TELECOMMANDE	NOIR
21	NOI-CONTROL SWITCH	BLACK	21	COMMANDE DE SECOURS NO 2	NOIR
22	NOI-EMERGENCY SWITCH	BLACK	22	COMMANDE DE SECOURS NO 2	NOIR
23	NOI-REMOTE CONTROL SWITCH	RED	23	COMMANDE DE TELECOMMANDE	NOIR
24	NOI-LOAD CONTROL SWITCH	RED	24	COMMANDE DE TELECOMMANDE	NOIR
25	NOI-CONTROL SWITCH	BLACK	25	COMMANDE DE SECOURS NO 1	NOIR
26	NOI-EMERGENCY SWITCH	BLACK	26	COMMANDE DE SECOURS NO 1	NOIR
27	NOI-REMOTE CONTROL SWITCH	RED	27	COMMANDE DE TELECOMMANDE	NOIR
28	NOI-LOAD CONTROL SWITCH	RED	28	COMMANDE DE TELECOMMANDE	NOIR
29	NOI-CONTROL SWITCH	BLACK	29	COMMANDE DE SECOURS NO 2	NOIR
30	NOI-EMERGENCY SWITCH	BLACK	30	COMMANDE DE SECOURS NO 2	NOIR

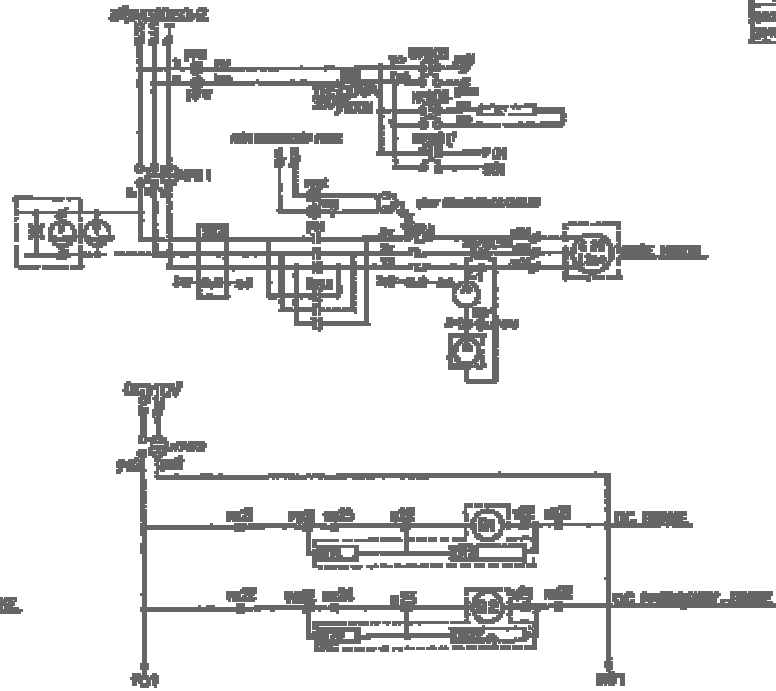
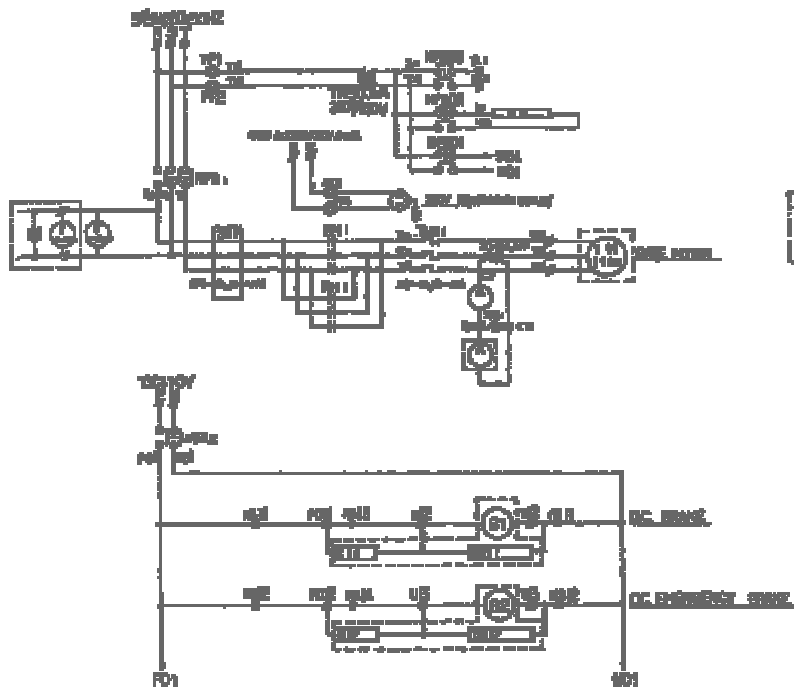
Electricite du Laos
The Nam Ngum I Hydropower Station Rehabilitation Project

DWN	K.Seto	SCALE	TITLE
CHKD	N.Nakato	—	1・2号取水口ゲート 遠隔操作盤
APPD	N.Nakato	DATE	
NIPPON KOEI CO.,LTD. TOKYO, JAPAN		15 th March, 2001	DWG NO JCOPI06-33

FP	FUSE FUSE
FL	FLOAT SWITCH
F	FUSIBLE
HT	HOTWIRE
HTC-1, HT-C2	HEATING CABLE (1, 2)
FL	FLOWMETER
HT	HOTWIRE
CT	CURRENT TRANSFORMER
R	RELAY
HS-C	HEATING SWITCH
HS-C	HEATING SWITCH
HS-C	HEATING SWITCH
HTC-1	HEATING CABLE
HTC-2	HEATING CABLE
HTC-3	HEATING CABLE
HTC-4	HEATING CABLE
HTC-5	HEATING CABLE
HTC-6	HEATING CABLE
HTC-7	HEATING CABLE
HTC-8	HEATING CABLE
HTC-9	HEATING CABLE
HTC-10	HEATING CABLE
HTC-11	HEATING CABLE
HTC-12	HEATING CABLE
HTC-13	HEATING CABLE
HTC-14	HEATING CABLE
HTC-15	HEATING CABLE
HTC-16	HEATING CABLE
HTC-17	HEATING CABLE
HTC-18	HEATING CABLE
HTC-19	HEATING CABLE
HTC-20	HEATING CABLE
HTC-21	HEATING CABLE
HTC-22	HEATING CABLE
HTC-23	HEATING CABLE
HTC-24	HEATING CABLE
HTC-25	HEATING CABLE
HTC-26	HEATING CABLE
HTC-27	HEATING CABLE
HTC-28	HEATING CABLE
HTC-29	HEATING CABLE
HTC-30	HEATING CABLE
HTC-31	HEATING CABLE
HTC-32	HEATING CABLE
HTC-33	HEATING CABLE
HTC-34	HEATING CABLE
HTC-35	HEATING CABLE
HTC-36	HEATING CABLE
HTC-37	HEATING CABLE
HTC-38	HEATING CABLE
HTC-39	HEATING CABLE
HTC-40	HEATING CABLE
HTC-41	HEATING CABLE
HTC-42	HEATING CABLE
HTC-43	HEATING CABLE
HTC-44	HEATING CABLE
HTC-45	HEATING CABLE
HTC-46	HEATING CABLE
HTC-47	HEATING CABLE
HTC-48	HEATING CABLE
HTC-49	HEATING CABLE
HTC-50	HEATING CABLE
HTC-51	HEATING CABLE
HTC-52	HEATING CABLE
HTC-53	HEATING CABLE
HTC-54	HEATING CABLE
HTC-55	HEATING CABLE
HTC-56	HEATING CABLE
HTC-57	HEATING CABLE
HTC-58	HEATING CABLE
HTC-59	HEATING CABLE
HTC-60	HEATING CABLE
HTC-61	HEATING CABLE
HTC-62	HEATING CABLE
HTC-63	HEATING CABLE
HTC-64	HEATING CABLE
HTC-65	HEATING CABLE
HTC-66	HEATING CABLE
HTC-67	HEATING CABLE
HTC-68	HEATING CABLE
HTC-69	HEATING CABLE
HTC-70	HEATING CABLE
HTC-71	HEATING CABLE
HTC-72	HEATING CABLE
HTC-73	HEATING CABLE
HTC-74	HEATING CABLE
HTC-75	HEATING CABLE
HTC-76	HEATING CABLE
HTC-77	HEATING CABLE
HTC-78	HEATING CABLE
HTC-79	HEATING CABLE
HTC-80	HEATING CABLE
HTC-81	HEATING CABLE
HTC-82	HEATING CABLE
HTC-83	HEATING CABLE
HTC-84	HEATING CABLE
HTC-85	HEATING CABLE
HTC-86	HEATING CABLE
HTC-87	HEATING CABLE
HTC-88	HEATING CABLE
HTC-89	HEATING CABLE
HTC-90	HEATING CABLE
HTC-91	HEATING CABLE
HTC-92	HEATING CABLE
HTC-93	HEATING CABLE
HTC-94	HEATING CABLE
HTC-95	HEATING CABLE
HTC-96	HEATING CABLE
HTC-97	HEATING CABLE
HTC-98	HEATING CABLE
HTC-99	HEATING CABLE
HTC-100	HEATING CABLE

101. CABINET CONTROL CIRCUIT

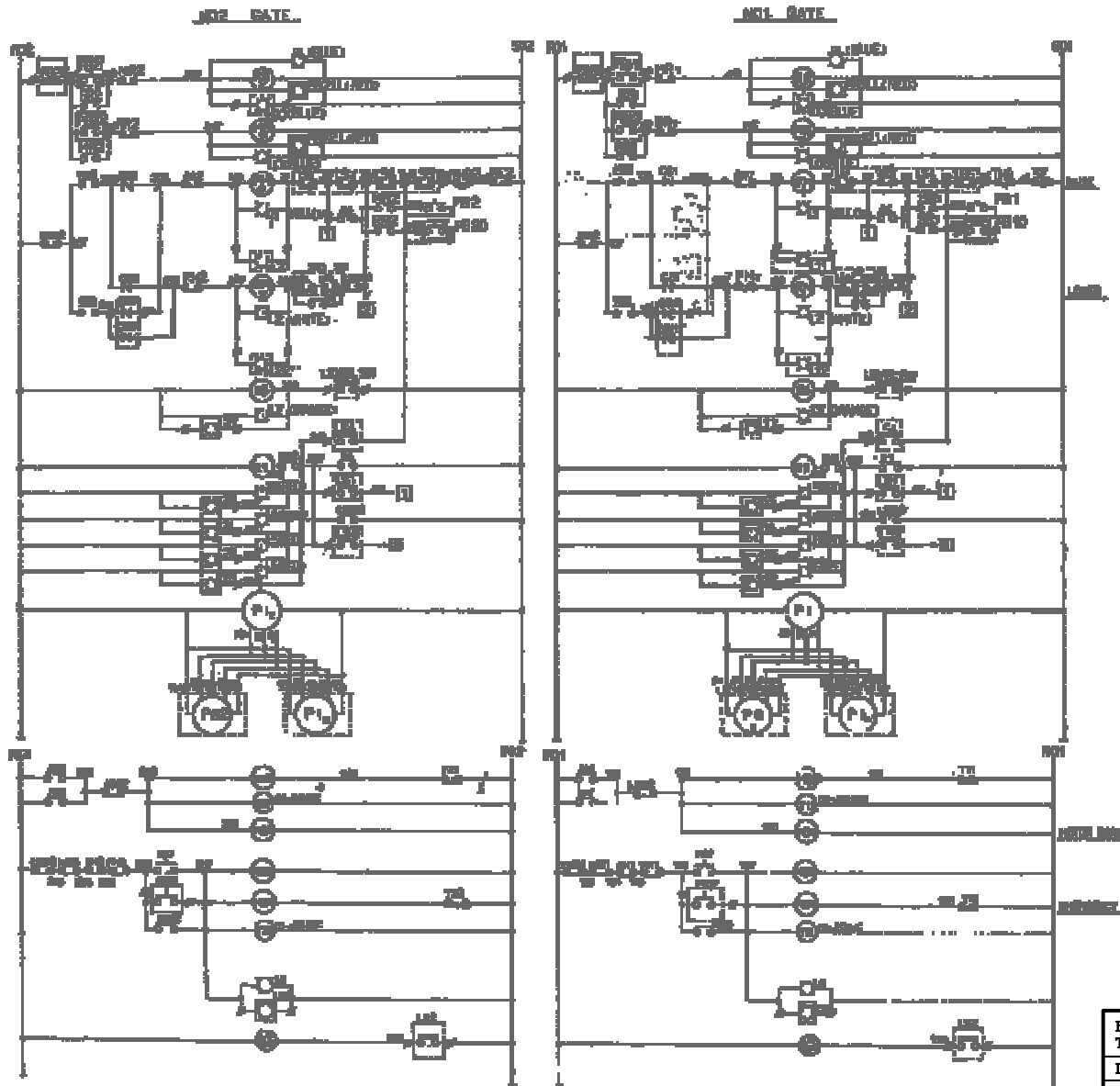
102. CABINET CONTROL CIRCUIT



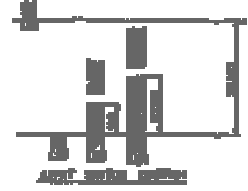
□ 101. CABINET CONTROL CIRCUIT
□ 102. CABINET CONTROL CIRCUIT
REFER TO OTHER DRAWING

Electricite du Laos			
The Nam Ngum I Hydropower Station Rehabilitation Project			
DWN	K. Seto	SCALE	TITLE
CHKD	N. Nakato	—	1-2号取水ロゲート
APPD	N. Nakato	DATE	操作盤ソーケンス図 (1)
NIPPON KOEI CO., LTD. TOKYO, JAPAN		15 th March, 2001	DWG NO JCOP106-84

REVISED



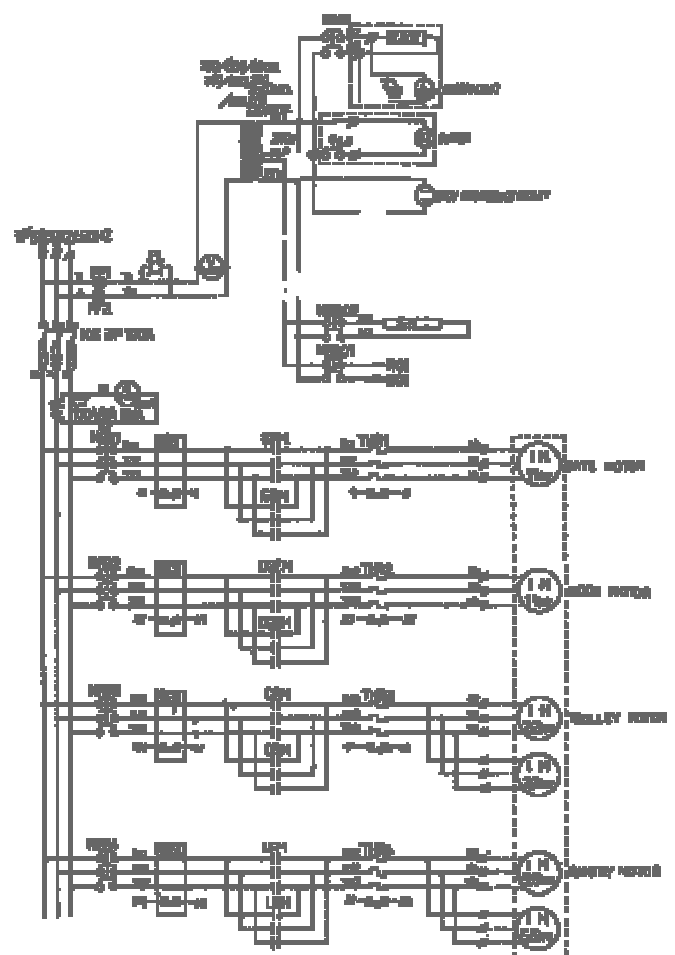
1.1	EMERGENCY STOP
1.2	STOP
1.3	START
1.4	STOP LAST
1.5	STOP LAST
1.6	STOP LAST
1.7	STOP LAST
1.8	STOP LAST
1.9	STOP LAST
1.10	STOP LAST
1.11	STOP LAST
1.12	STOP LAST
1.13	STOP LAST
1.14	STOP LAST
1.15	STOP LAST
1.16	STOP LAST
1.17	STOP LAST
1.18	STOP LAST
1.19	STOP LAST
1.20	STOP LAST
1.21	STOP LAST
1.22	STOP LAST
1.23	STOP LAST
1.24	STOP LAST
1.25	STOP LAST
1.26	STOP LAST
1.27	STOP LAST
1.28	STOP LAST
1.29	STOP LAST
1.30	STOP LAST
1.31	STOP LAST
1.32	STOP LAST
1.33	STOP LAST
1.34	STOP LAST
1.35	STOP LAST
1.36	STOP LAST
1.37	STOP LAST
1.38	STOP LAST
1.39	STOP LAST
1.40	STOP LAST
1.41	STOP LAST
1.42	STOP LAST
1.43	STOP LAST
1.44	STOP LAST
1.45	STOP LAST
1.46	STOP LAST
1.47	STOP LAST
1.48	STOP LAST
1.49	STOP LAST
1.50	STOP LAST
1.51	STOP LAST
1.52	STOP LAST
1.53	STOP LAST
1.54	STOP LAST
1.55	STOP LAST
1.56	STOP LAST
1.57	STOP LAST
1.58	STOP LAST
1.59	STOP LAST
1.60	STOP LAST
1.61	STOP LAST
1.62	STOP LAST
1.63	STOP LAST
1.64	STOP LAST
1.65	STOP LAST
1.66	STOP LAST
1.67	STOP LAST
1.68	STOP LAST
1.69	STOP LAST
1.70	STOP LAST
1.71	STOP LAST
1.72	STOP LAST
1.73	STOP LAST
1.74	STOP LAST
1.75	STOP LAST
1.76	STOP LAST
1.77	STOP LAST
1.78	STOP LAST
1.79	STOP LAST
1.80	STOP LAST
1.81	STOP LAST
1.82	STOP LAST
1.83	STOP LAST
1.84	STOP LAST
1.85	STOP LAST
1.86	STOP LAST
1.87	STOP LAST
1.88	STOP LAST
1.89	STOP LAST
1.90	STOP LAST
1.91	STOP LAST
1.92	STOP LAST
1.93	STOP LAST
1.94	STOP LAST
1.95	STOP LAST
1.96	STOP LAST
1.97	STOP LAST
1.98	STOP LAST
1.99	STOP LAST
1.100	STOP LAST



□ EMERGENCY STOP
 □ STOP
 □ START

Electricite du Laos			
The Nam Ngum I Hydropower Station Rehabilitation Project			
DWN	K.Seto	SCALE	TITLE
CHKD	N.Nakato	—	1・2号取水ロゲート
APPD	N.Nakato	DATE	操作盤ソーケンス図(2)
NIPPON KOEI CO.,LTD. TOKYO, JAPAN		15 th March, 2001	DWG NO JCOP106-86

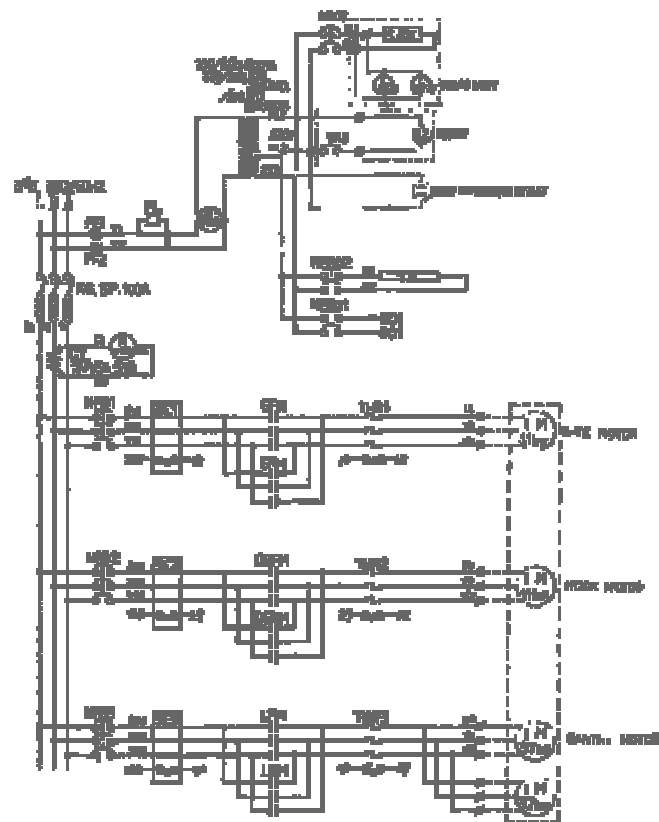
2001/03/15



TR	TRIP RELAY
FL	FLOAT SWITCH
V	VOLTMETER
TR	TRIP RELAY
AFDA-03	AUTOMATIC CIRCUIT BREAKER
AF21-4	AUTOMATIC CIRCUIT BREAKER
FL	FUSE
SW	SWITCH
CT	CURRENT TRANSFORMER
A	ALARM BELL
RS	RESET SWITCH
TR1-4	TRIP RELAY
TR2-4	TRIP RELAY
SW1-4	SWITCH
SW2-4	SWITCH
SW3-4	SWITCH
SW4-4	SWITCH
RS	RESET SWITCH

□ OUTSIDE PARTS OF THE CONTROL BOX
 ● TERMINALS TO OUTSIDE WIRING

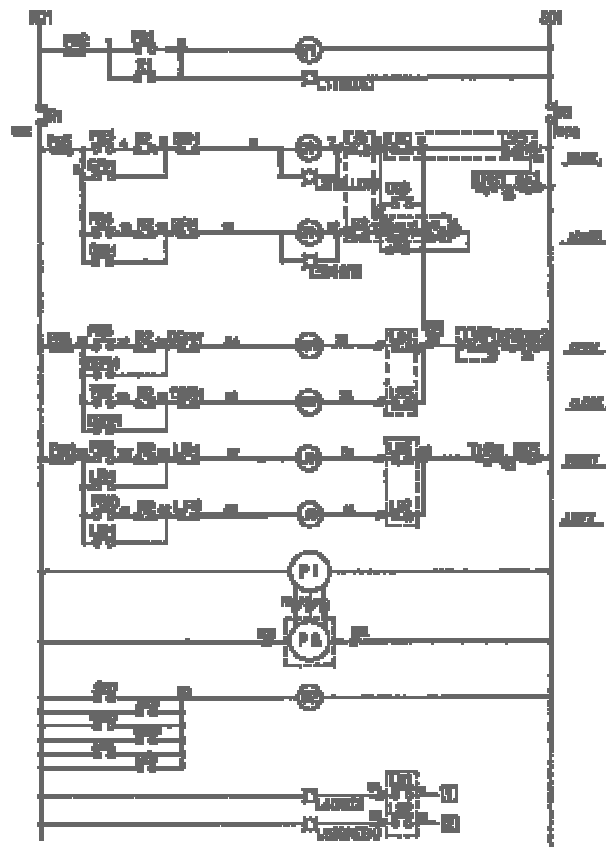
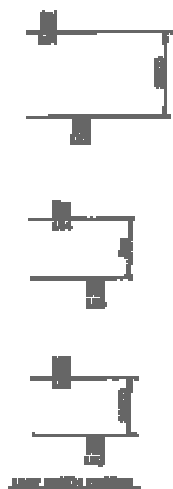
Electricite du Laos The Nam Ngum I Hydropower Station Rehabilitation Project			
DWN	K.Seto	SCALE	TITLE
CHKD	N.Nakato	—	取水口ゴントリークレーン 操作盤ソーケンス図(1)
APPD	N.Nakato	DATE	
NIPPON KOEI CO.,LTD. TOKYO, JAPAN		15 th March, 2001	DWG NO JCOPI06-86



FF1, FF2	FUSE FUSE
PL	PILOT LIGHT
V	VOLT METER
TR	TRANSFORMER
NFB, NFB-1s	AUTOMATIC CIRCUIT BREAKER
NFB, 1-s	"
FL	FLUORESCENT LAMP
SH	SPACE HEATER
CT	CURRENT TRANSFORMER
A	AMPERE METER
SE1-s	MOTOR RELAY
THW1-s	OVERCURRENT RELAY
SPN, SPN	MAGNET CONDUCTOR
LPM, LPM	
KB	KNIFE SWITCH
FS	FOOT SWITCH

OUTSIDE PARTS OF THE CONTROL BOX
/ TERMINALS TO BE CONNECTED TO EXTERNAL POWER

Electricite du Laos The Nam Ngum I Hydropower Station Rehabilitation Project			
DWN	K.Seto	SCALE	TITLE
CHKD	N.Nakato	—	放水口ゴントリークレーン 操作盤ソーケンス図 (1)
APPD	N.Nakato	DATE	
NIPPON KOEI CO.,LTD. TOKYO, JAPAN		15 th March, 2001	DWG NO JCOPI06-38



P2	OVERHEAD SWITCH
P2c	ALL STOP
P2s	"STOP" FUNCTION
P2o	"LOCK" FUNCTION
P2b	"STOP" FUNCTION
T2	TWO-STEP SWITCH
L11	STOP LIGHT SWITCH
L12	STOP LIGHT SWITCH
G25	STOP SWITCH
L10T	STOP LIGHT SWITCH WITH STOP SW
L10T	STOP LIGHT SWITCH WITH STOP SW
P12	"STOP" FUNCTION
P13	"STOP" FUNCTION
P14	"STOP" FUNCTION
P15	"STOP" FUNCTION FOR MOTOR TRAIL
P16	"STOP" FUNCTION FOR MOTOR TRAIL
P17	"STOP" FUNCTION FOR MOTOR TRAIL
P18	"STOP" FUNCTION FOR MOTOR TRAIL
P19	"STOP" FUNCTION FOR MOTOR TRAIL
P20	"STOP" FUNCTION FOR MOTOR TRAIL
P21	"STOP" FUNCTION FOR MOTOR TRAIL
P22	"STOP" FUNCTION FOR MOTOR TRAIL
P23	"STOP" FUNCTION FOR MOTOR TRAIL
P24	"STOP" FUNCTION FOR MOTOR TRAIL
P25	"STOP" FUNCTION FOR MOTOR TRAIL
P26	"STOP" FUNCTION FOR MOTOR TRAIL
P27	"STOP" FUNCTION FOR MOTOR TRAIL
P28	"STOP" FUNCTION FOR MOTOR TRAIL
P29	"STOP" FUNCTION FOR MOTOR TRAIL
P30	"STOP" FUNCTION FOR MOTOR TRAIL
P31	"STOP" FUNCTION FOR MOTOR TRAIL
P32	"STOP" FUNCTION FOR MOTOR TRAIL
P33	"STOP" FUNCTION FOR MOTOR TRAIL
P34	"STOP" FUNCTION FOR MOTOR TRAIL
P35	"STOP" FUNCTION FOR MOTOR TRAIL
P36	"STOP" FUNCTION FOR MOTOR TRAIL
P37	"STOP" FUNCTION FOR MOTOR TRAIL
P38	"STOP" FUNCTION FOR MOTOR TRAIL
P39	"STOP" FUNCTION FOR MOTOR TRAIL
P40	"STOP" FUNCTION FOR MOTOR TRAIL
P41	"STOP" FUNCTION FOR MOTOR TRAIL
P42	"STOP" FUNCTION FOR MOTOR TRAIL
P43	"STOP" FUNCTION FOR MOTOR TRAIL
P44	"STOP" FUNCTION FOR MOTOR TRAIL
P45	"STOP" FUNCTION FOR MOTOR TRAIL
P46	"STOP" FUNCTION FOR MOTOR TRAIL
P47	"STOP" FUNCTION FOR MOTOR TRAIL
P48	"STOP" FUNCTION FOR MOTOR TRAIL
P49	"STOP" FUNCTION FOR MOTOR TRAIL
P50	"STOP" FUNCTION FOR MOTOR TRAIL
P51	"STOP" FUNCTION FOR MOTOR TRAIL
P52	"STOP" FUNCTION FOR MOTOR TRAIL
P53	"STOP" FUNCTION FOR MOTOR TRAIL
P54	"STOP" FUNCTION FOR MOTOR TRAIL
P55	"STOP" FUNCTION FOR MOTOR TRAIL
P56	"STOP" FUNCTION FOR MOTOR TRAIL
P57	"STOP" FUNCTION FOR MOTOR TRAIL
P58	"STOP" FUNCTION FOR MOTOR TRAIL
P59	"STOP" FUNCTION FOR MOTOR TRAIL
P60	"STOP" FUNCTION FOR MOTOR TRAIL
P61	"STOP" FUNCTION FOR MOTOR TRAIL
P62	"STOP" FUNCTION FOR MOTOR TRAIL
P63	"STOP" FUNCTION FOR MOTOR TRAIL
P64	"STOP" FUNCTION FOR MOTOR TRAIL
P65	"STOP" FUNCTION FOR MOTOR TRAIL
P66	"STOP" FUNCTION FOR MOTOR TRAIL
P67	"STOP" FUNCTION FOR MOTOR TRAIL
P68	"STOP" FUNCTION FOR MOTOR TRAIL
P69	"STOP" FUNCTION FOR MOTOR TRAIL
P70	"STOP" FUNCTION FOR MOTOR TRAIL
P71	"STOP" FUNCTION FOR MOTOR TRAIL
P72	"STOP" FUNCTION FOR MOTOR TRAIL
P73	"STOP" FUNCTION FOR MOTOR TRAIL
P74	"STOP" FUNCTION FOR MOTOR TRAIL
P75	"STOP" FUNCTION FOR MOTOR TRAIL
P76	"STOP" FUNCTION FOR MOTOR TRAIL
P77	"STOP" FUNCTION FOR MOTOR TRAIL
P78	"STOP" FUNCTION FOR MOTOR TRAIL
P79	"STOP" FUNCTION FOR MOTOR TRAIL
P80	"STOP" FUNCTION FOR MOTOR TRAIL
P81	"STOP" FUNCTION FOR MOTOR TRAIL
P82	"STOP" FUNCTION FOR MOTOR TRAIL
P83	"STOP" FUNCTION FOR MOTOR TRAIL
P84	"STOP" FUNCTION FOR MOTOR TRAIL
P85	"STOP" FUNCTION FOR MOTOR TRAIL
P86	"STOP" FUNCTION FOR MOTOR TRAIL
P87	"STOP" FUNCTION FOR MOTOR TRAIL
P88	"STOP" FUNCTION FOR MOTOR TRAIL
P89	"STOP" FUNCTION FOR MOTOR TRAIL
P90	"STOP" FUNCTION FOR MOTOR TRAIL
P91	"STOP" FUNCTION FOR MOTOR TRAIL
P92	"STOP" FUNCTION FOR MOTOR TRAIL
P93	"STOP" FUNCTION FOR MOTOR TRAIL
P94	"STOP" FUNCTION FOR MOTOR TRAIL
P95	"STOP" FUNCTION FOR MOTOR TRAIL
P96	"STOP" FUNCTION FOR MOTOR TRAIL
P97	"STOP" FUNCTION FOR MOTOR TRAIL
P98	"STOP" FUNCTION FOR MOTOR TRAIL
P99	"STOP" FUNCTION FOR MOTOR TRAIL
P100	"STOP" FUNCTION FOR MOTOR TRAIL

 REFERENCE PARTS OF THE CIRCUIT. BOX
 REFERENCE TO OTHER PARTS

Electricite du Laos The Nam Ngum I Hydropower Station Rehabilitation Project			
DWN	K.Seto	SCALE	TITLE
CHKD	N.Nakato	—	放水ロガントリークレーン 操作盤ソーケンス図(2)
APPD	N.Nakato	DATE	
NIPPON KOEI CO.,LTD. TOKYO, JAPAN		15 th March, 2001	DWG NO JCOP106-89