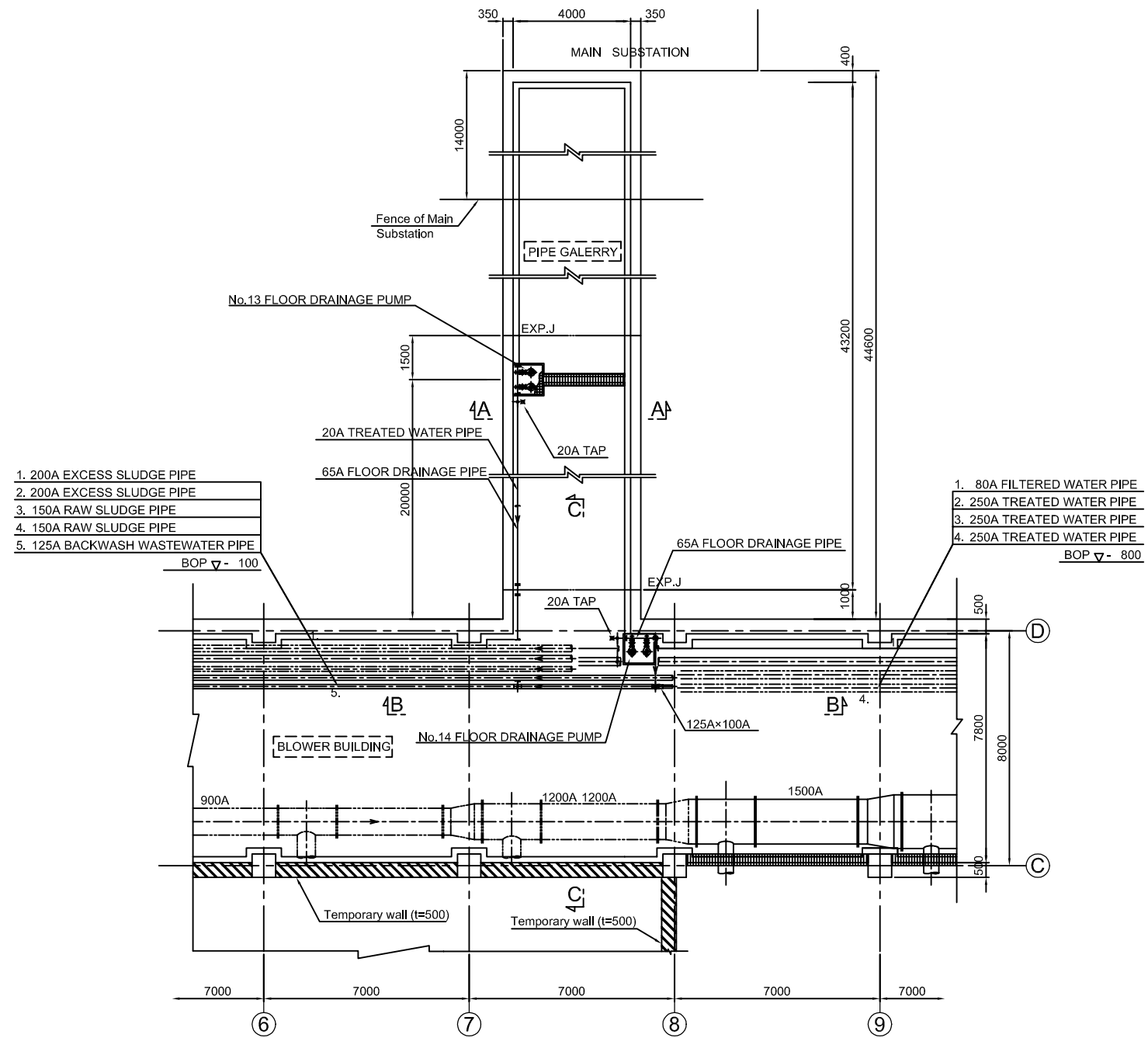


PIPE GALLERY PLAN (2 / 5)

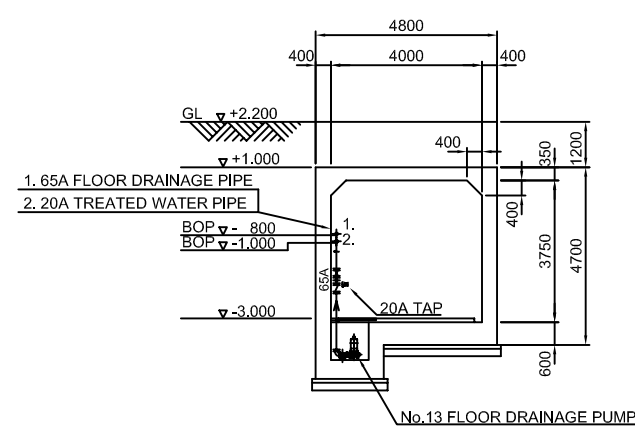
SECTION B-B

NO.	DATE	DESCRIPTIONS	BY	APRO.
REVISIONS				
PROJECT MANAGEMENT UNIT FOR WATER ENVIRONMENT IMPROVEMENT FOR HO CHI MINH CITY				
THE DETAILD DESIGN ON HO CHI MINH CITY WATER ENVIRONMENT IMPROVEMENT PROJECT IN THE SOCIALIST REPUBLIC OF VIET NAM				
PACKAGE E WASTEWATER TREATMENT PLANT PIPE GALLERY PLAN AND CROSS SECTION (2 / 5)				
SCALE : 1:100				
JAPAN INTERNATIONAL COOPERATION AGENCY (JICA)				
PACIFIC CONSULTANTS INTERNATIONAL				
DESIGNED KAWAZU SHINYA		CHECKED KONDO MASAMI		
DATE : JUNE 2001		DWG. No. PE - WWTP - 487		

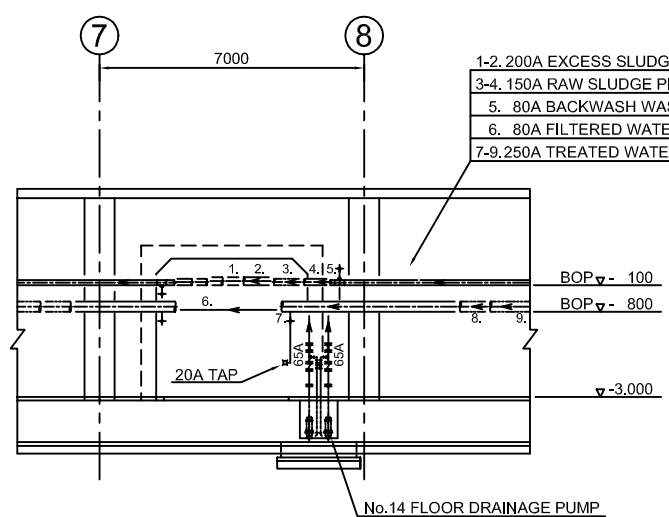


1. 200A EXCESS SLUDGE PIPE
2. 200A EXCESS SLUDGE PIPE
3. 150A RAW SLUDGE PIPE
4. 150A RAW SLUDGE PIPE
5. 125A BACKWASH WASTEWATER PIPE

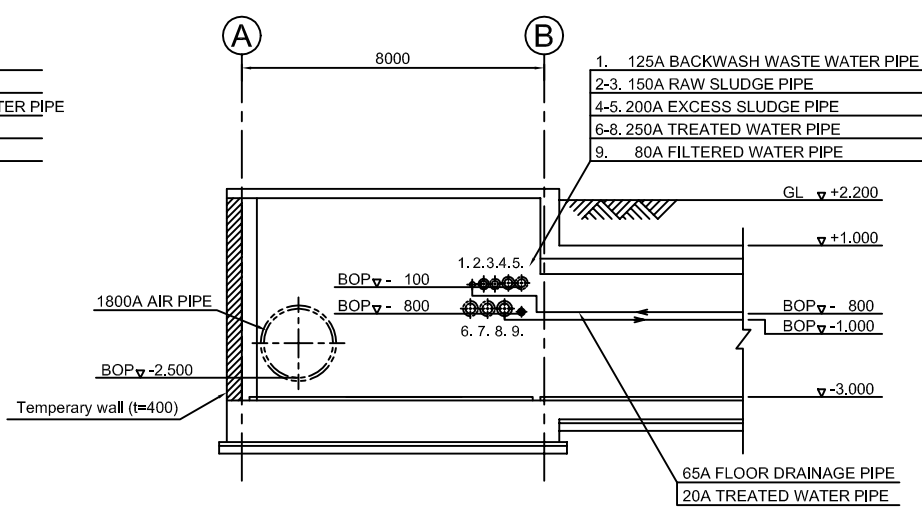
1. 80A FILTERED WATER PIPE
2. 250A TREATED WATER PIPE
3. 250A TREATED WATER PIPE
4. 250A TREATED WATER PIPE



SECTION A-A

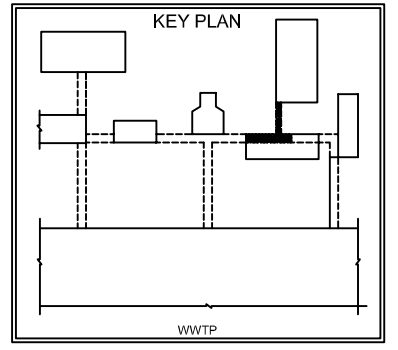


SECTION B-B



SECTION C-C

PIPE GALLERY PLAN (3 / 5)



NO.	DATE	DESCRIPTIONS	BY	APRO.

REVISIONS

PROJECT MANAGEMENT UNIT FOR
WATER ENVIRONMENT IMPROVEMENT FOR
HO CHI MINH CITY

THE DETAILD DESIGN ON HO CHI MINH CITY
WATER ENVIRONMENT IMPROVEMENT PROJECT
IN THE SOCIALIST REPUBLIC OF VIET NAM

PACKAGE E
WASTEWATER TREATMENT PLANT
PIPE GALLERY PLAN AND
CROSS SECTION (3 / 5)

SCALE : 1:100

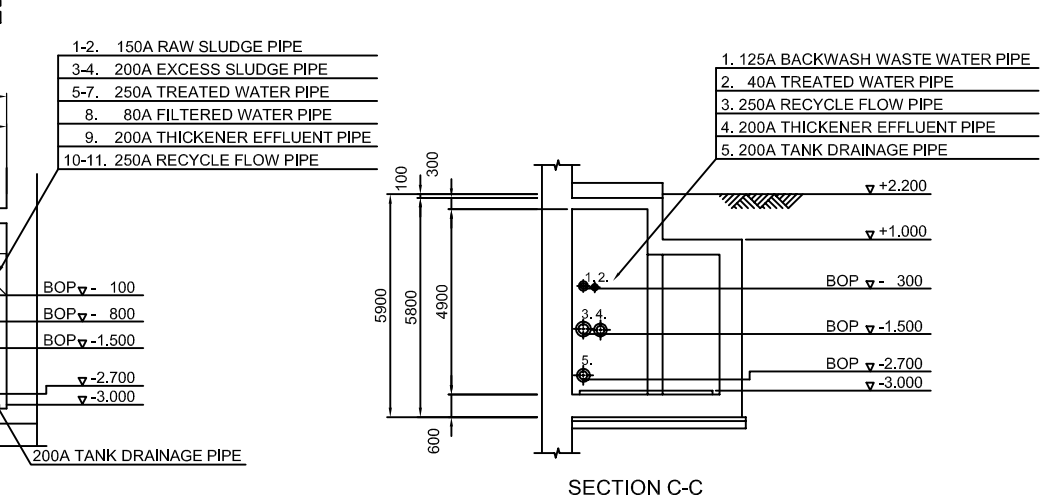
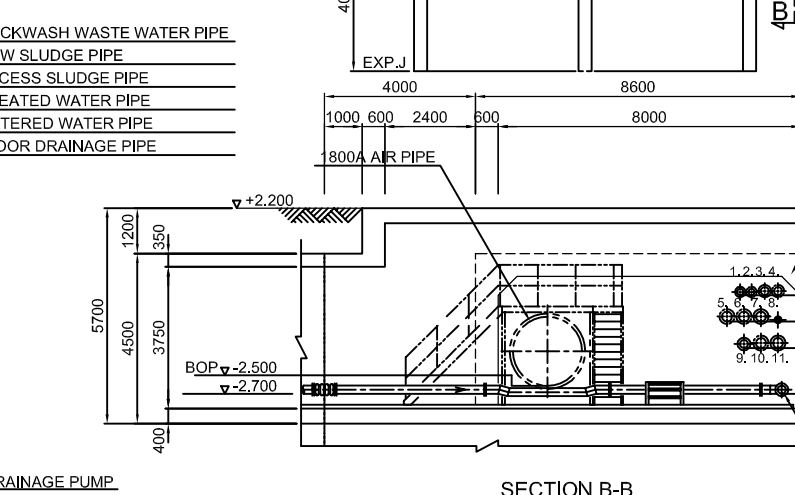
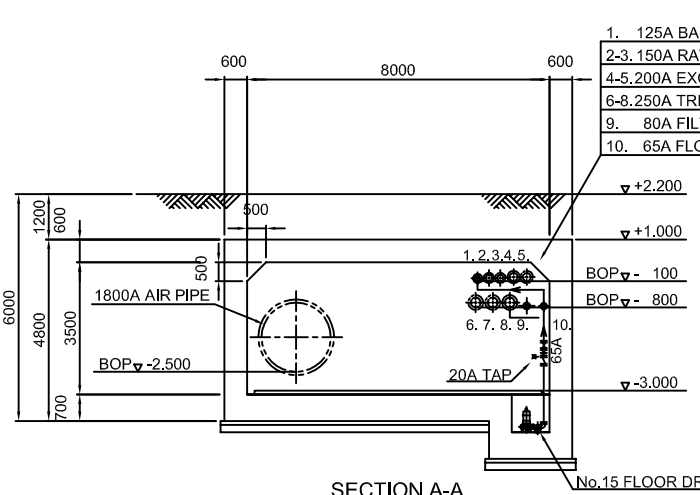
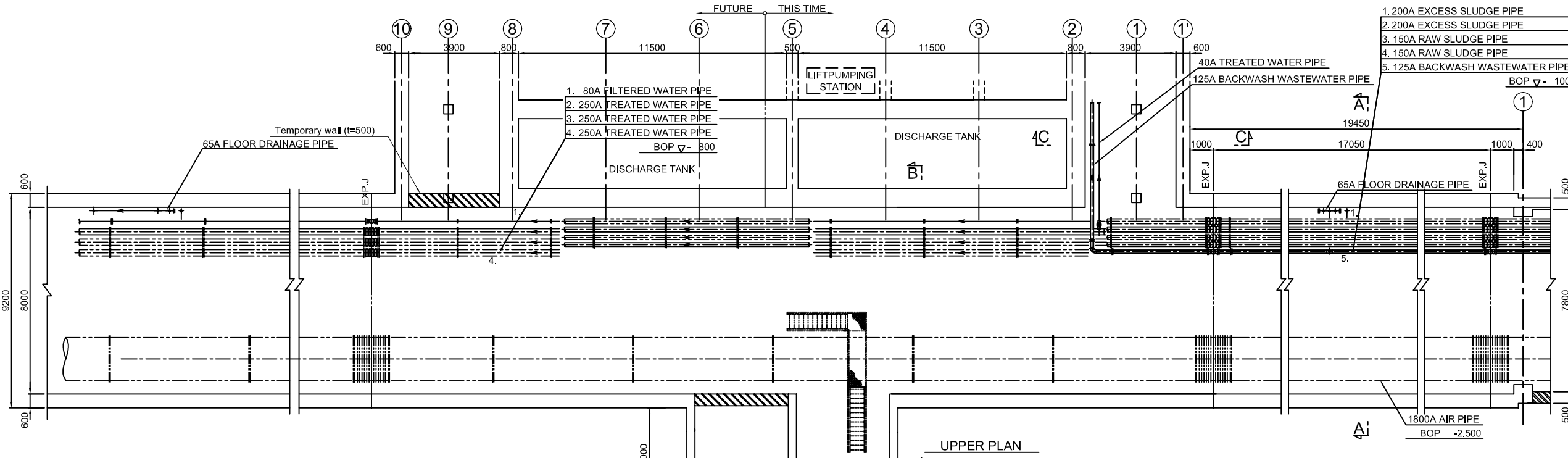
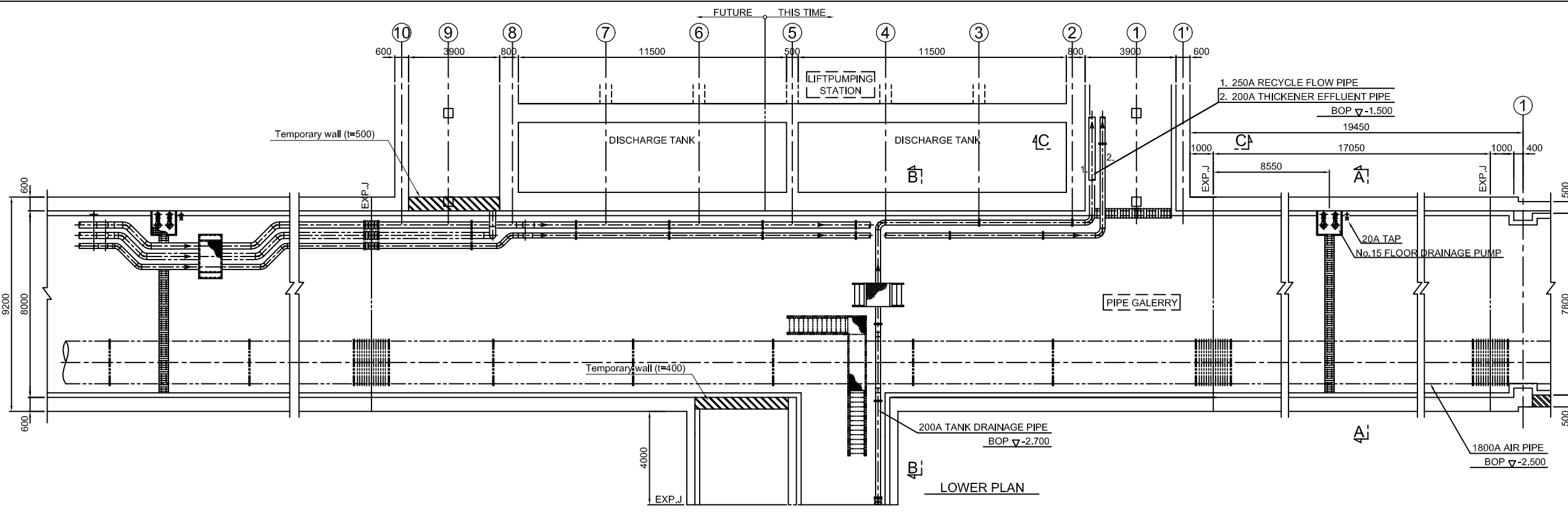
JICA JAPAN INTERNATIONAL COOPERATION
AGENCY (JICA)

PACIFIC CONSULTANTS INTERNATIONAL

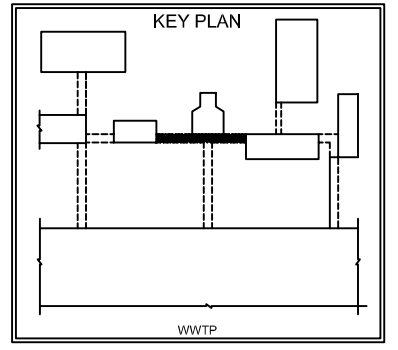
DESIGNED
KAWAZU SHINYA

CHECKED
KONDO MASAMI

DATE : JUNE 2001 DWG. No. PE - WWTP - 488



PIPE GALLERY PLAN (4 / 5)



NO.	DATE	DESCRIPTIONS	BY	APRO.

REVISIONS

PROJECT MANAGEMENT UNIT FOR
WATER ENVIRONMENT IMPROVEMENT FOR
HO CHI MINH CITY

THE DETAILD DESIGN ON HO CHI MINH CITY
WATER ENVIRONMENT IMPROVEMENT PROJECT
IN THE SOCIALIST REPUBLIC OF VIET NAM

PACKAGE E

WASTEWATER TREATMENT PLANT

PIPE GALLERY PLAN AND
CROSS SECTION (4 / 5)

SCALE : 1:100

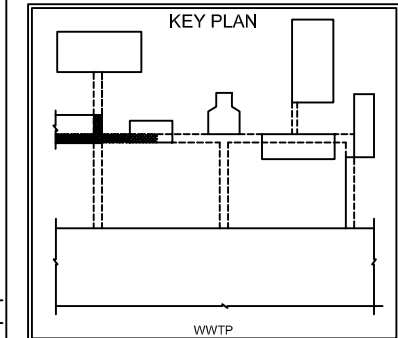
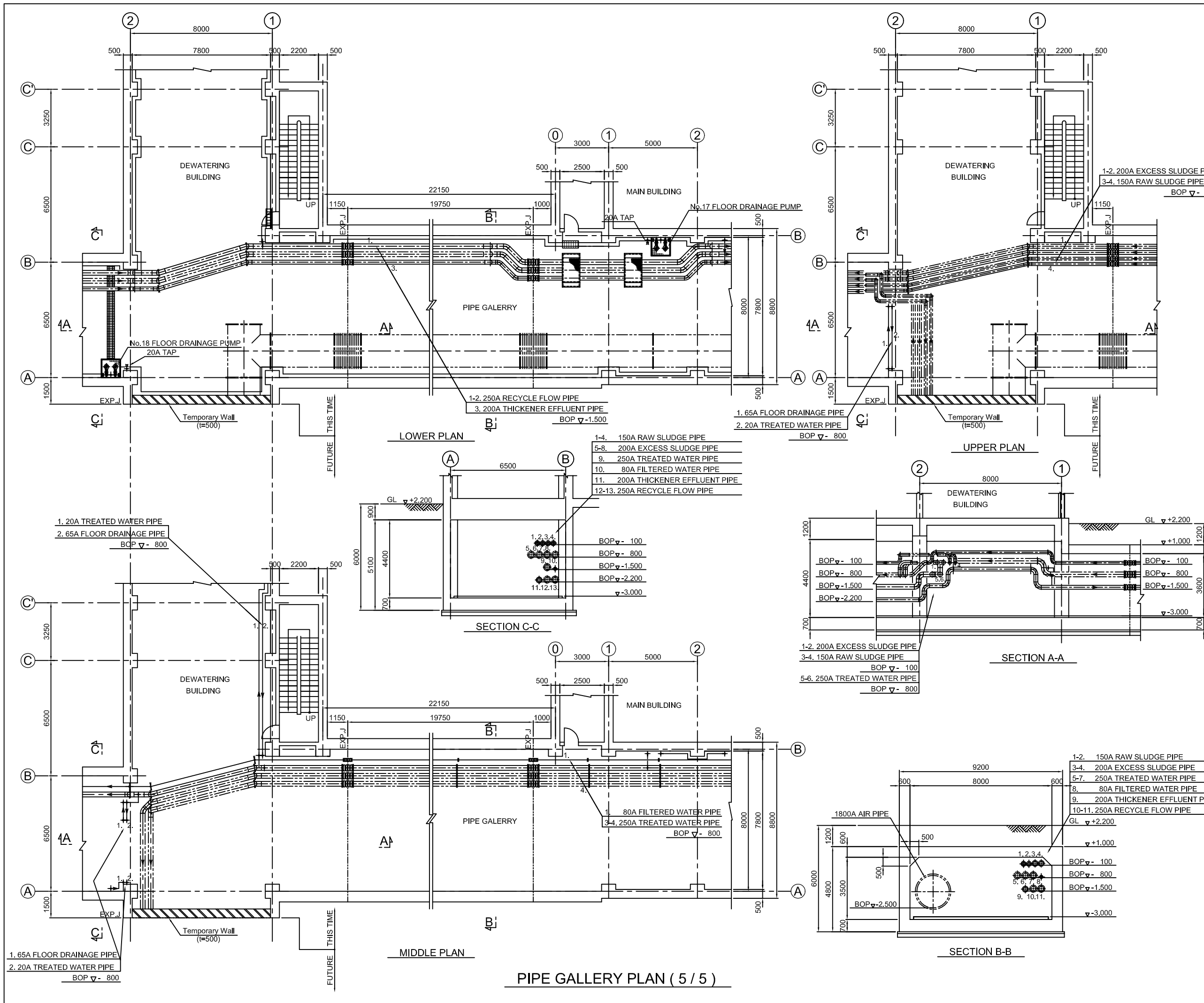
JICA JAPAN INTERNATIONAL COOPERATION
AGENCY (JICA)

PACIFIC CONSULTANTS INTERNATIONAL

DESIGNED
KAWAZU SHINYA

CHECKED
KONDO MASAMI

DATE : JUNE 2001 DWG. No. PE - WWTP - 489



NO.	DATE	DESCRIPTIONS	BY	APRO.

REVISIONS

PROJECT MANAGEMENT UNIT FOR
WATER ENVIRONMENT IMPROVEMENT FOR
HO CHI MINH CITY

THE DETAILD DESIGN ON HO CHI MINH CITY
WATER ENVIRONMENT IMPROVEMENT PROJECT
IN THE SOCIALIST REPUBLIC OF VIET NAM

PACKAGE E
WASTEWATER TREATMENT PLANT
PIPE GALLERY PLAN AND
CROSS SECTION (5 / 5)

SCALE : 1:100

JICA JAPAN INTERNATIONAL COOPERATION
AGENCY (JICA)

PACIFIC CONSULTANTS INTERNATIONAL

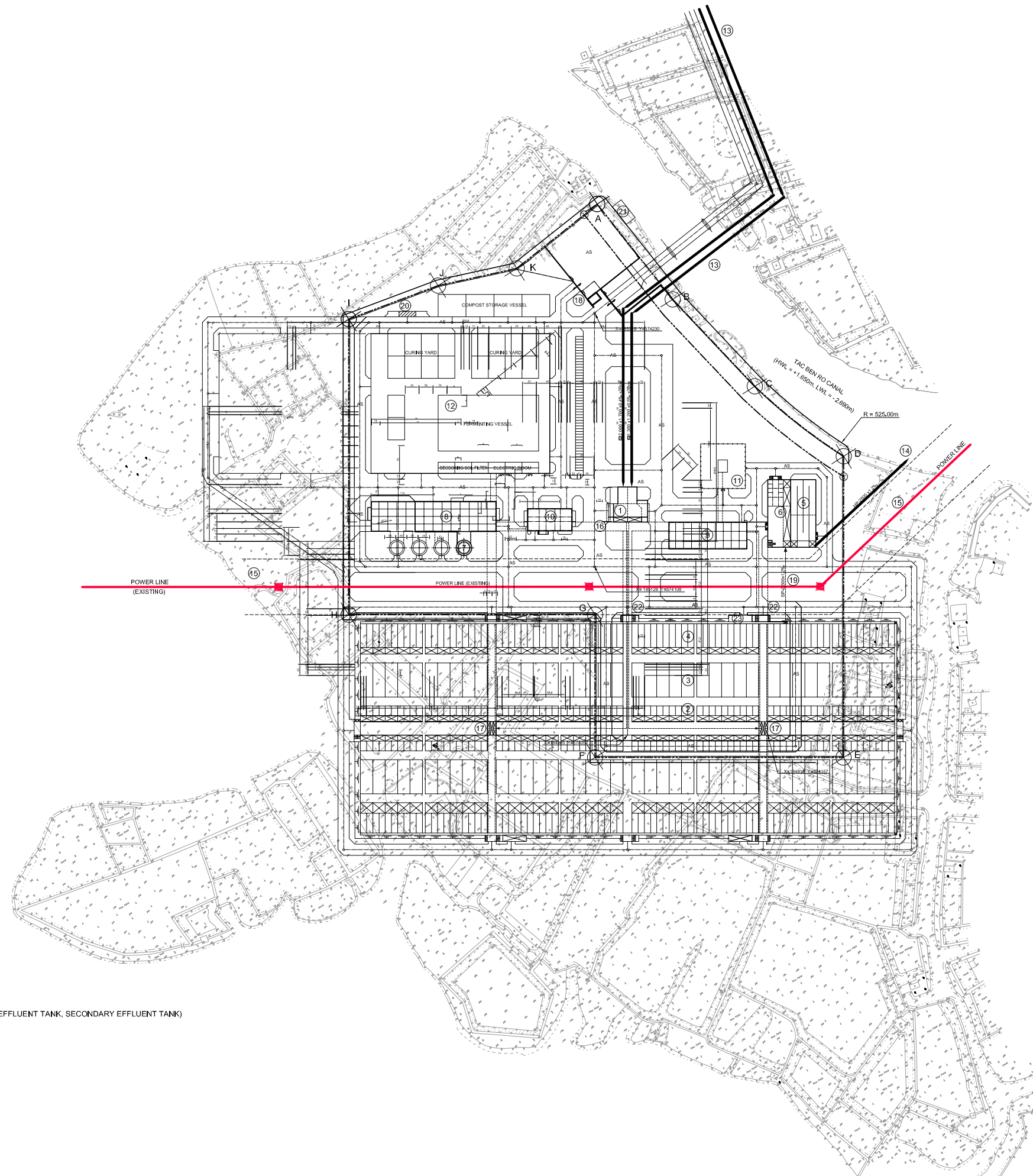
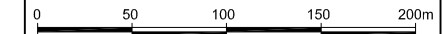
DESIGNED
KAWAZU SHINYA

CHECKED
KONDO MASAMI

DATE : JUNE 2001 DWG. No. PE - WWTP - 490

ELECTRICAL WORK

LAYOUT OF THBNDT WASTEWATER TREATMENT PLANT (Phase I)



LEGEND

- ① LIFT PUMPING STATION
- ② PRIMARY SEDIMENTATION TANK
- ③ AERATION TANK
- ④ FINAL SEDIMENTATION TANK
- ⑤ DISINFECTION TANK
- ⑥ CHLORINATION STORAGE BUILDING (SAND FILTRATION EFFLUENT TANK, SECONDARY EFFLUENT TANK)
- ⑦ GRAVITY THICKENER
- ⑧ DEWATERING & CENTRIFUGAL THICKENER BUILDING
- ⑨ BLOWER BUILDING
- ⑩ MAIN BUILDING (Control Room, Electrical Room, etc.)
- ⑪ MAIN SUBSTATION
- ⑫ COMPOST PLANT FACILITY
- ⑬ INLET PIPE
- ⑭ EFFLUENT PIPE
- ⑮ POWER LINE (EXISTING)
- ⑯ TOWER OF TRANSMISSION LINE
- ⑰ DISTRIBUTION TANK
- ⑱ GUARD ROOM
- ⑲ CONNECTION PIPE
- ⑳ TRUCK SCALE

NO.	DATE	DESCRIPTIONS	BY	APRO.
-----	------	--------------	----	-------

REVISIONS

PROJECT MANAGEMENT UNIT FOR
HO CHI MINH CITY
WATER ENVIRONMENT IMPROVEMENT

THE DETAILED DESIGN STUDY ON HO CHI MINH CITY
WATER ENVIRONMENT IMPROVEMENT PROJECT
IN THE SOCIALIST REPUBLIC OF VIET NAM

PACKAGE E
WASTEWATER TREATMENT PLANT
GENERAL LAYOUT FOR
SCOPE OF ELECTRICAL WORKS

SCALE = 1 / 2000

JICA JAPAN INTERNATIONAL COOPERATION
AGENCY (JICA)

PACIFIC CONSULTANTS INTERNATIONAL

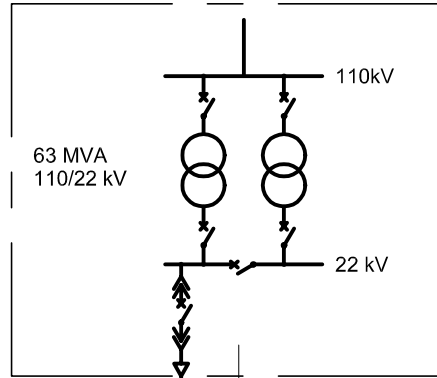
DESIGNED
KOMIYA NOBUO

CHECKED
KONDO MASAMI

DATE : JUNE 2001

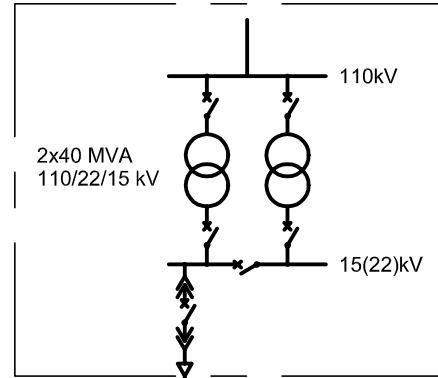
DWG. No. PE - WWTP - 500

SAIGON SOUTH 4 SUBSTATION



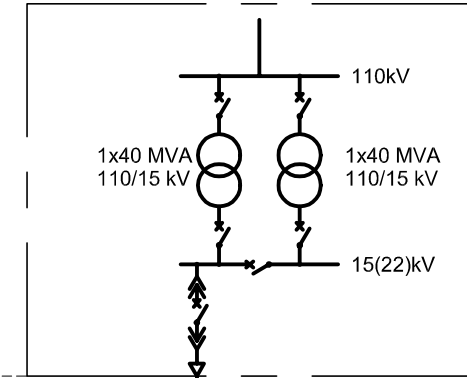
THIS SUBSTATION WILL OPERATE IN 2004

PHU DINH SUBSTATION



BY POWER COMPANY

CHANH HUNG SUBSTATION



BY POWER COMPANY

24kV UNDERGROUND CABLE IN FUTURE
CONSTRUCTED BY POWER COMPANY OF HCMC

TEMPORARY CONNECTION POINT UNTIL 2004

UNDERGROUND CABLE
XLPE 24kV-2(3x240)
4375m

UNDERGROUND CABLE
XLPE 24kV-2(3x240)
3283m

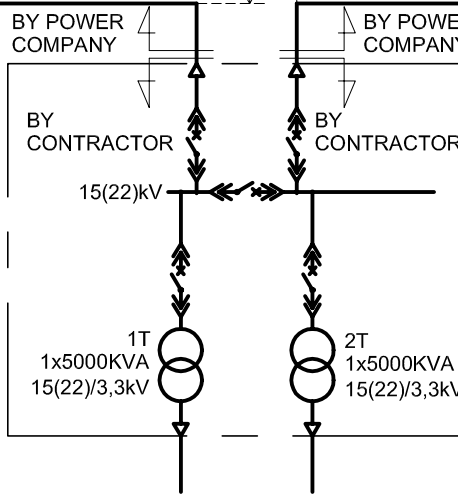
UNDERGROUND CABLE
XLPE 24kV-2(3x240)
1850m

PACKAGE "E"

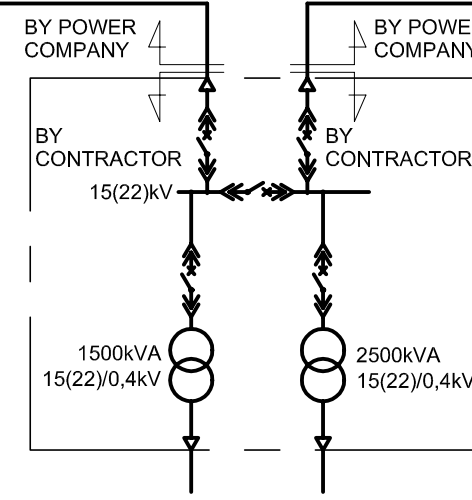
PACKAGE "C"

22kV OVERHEAD LINE BINH PHU

POLE No. 42



WASTE-WATER TREATMENT PLANT



INTERMEDIATE WASTE-WATER
PUMPING STATION

NO.	DATE	DESCRIPTIONS	BY	APRO.

REVISIONS

PROJECT MANAGEMENT UNIT FOR
HO CHI MINH CITY
WATER ENVIRONMENT IMPROVEMENT

THE DETAILED DESIGN ON HO CHI MINH CITY
WATER ENVIRONMENT IMPROVEMENT PROJECT
IN THE SOCIALIST REPUBLIC OF VIET NAM

PACKAGE E
WASTEWATER TREATMENT PLANT

SINGLE LINE DIAGRAM FOR
RECEIVING SYSTEM

SCALE : N.T.S

JICA JAPAN INTERNATIONAL COOPERATION
AGENCY (JICA)

PACIFIC CONSULTANTS INTERNATIONAL

DESIGNED
KOMIYA NOBUO

CHECKED
KONDO MASAMI

DATE : JUNE 2001 DWG. No. PE - WWTP - 501 - 1

