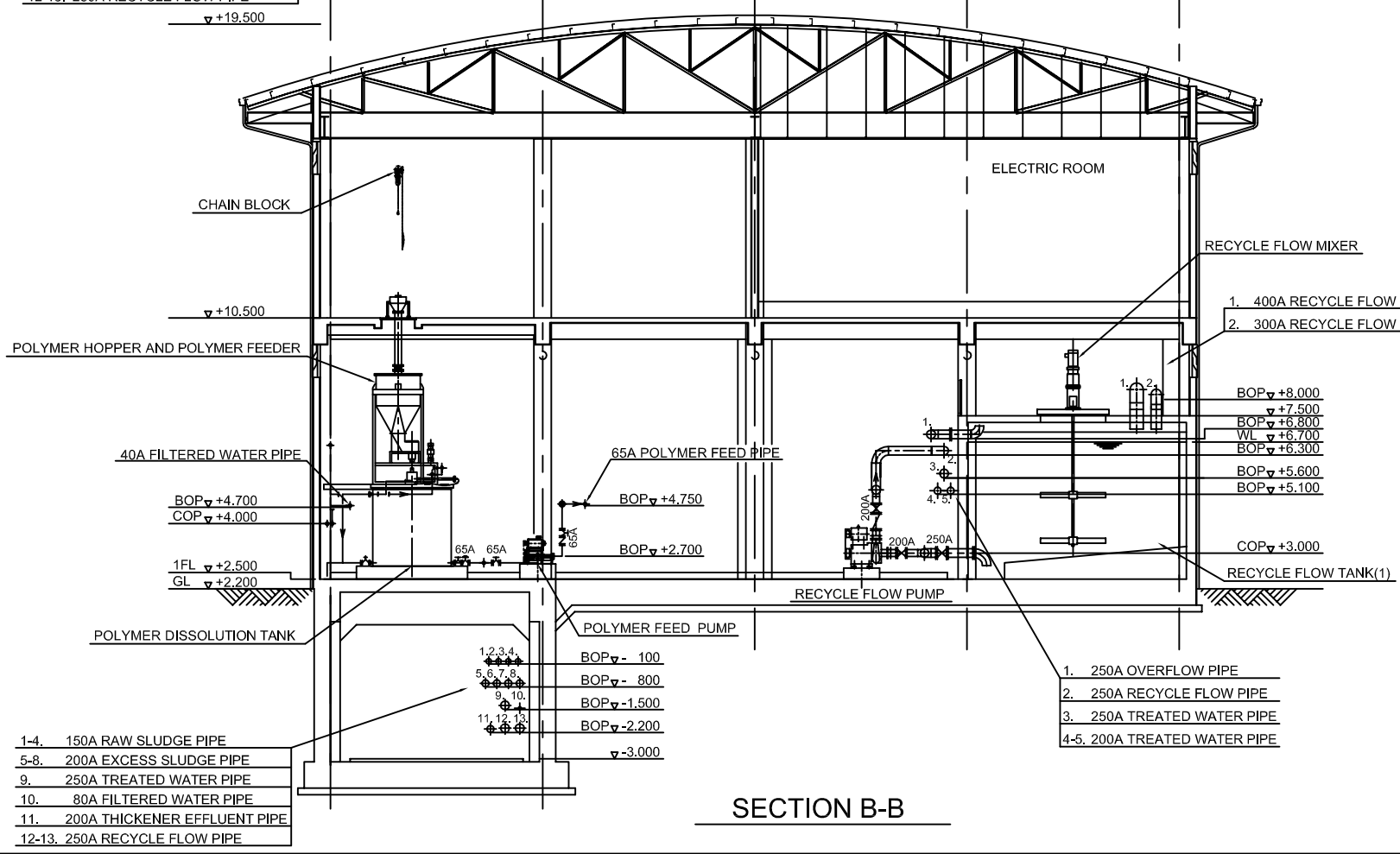
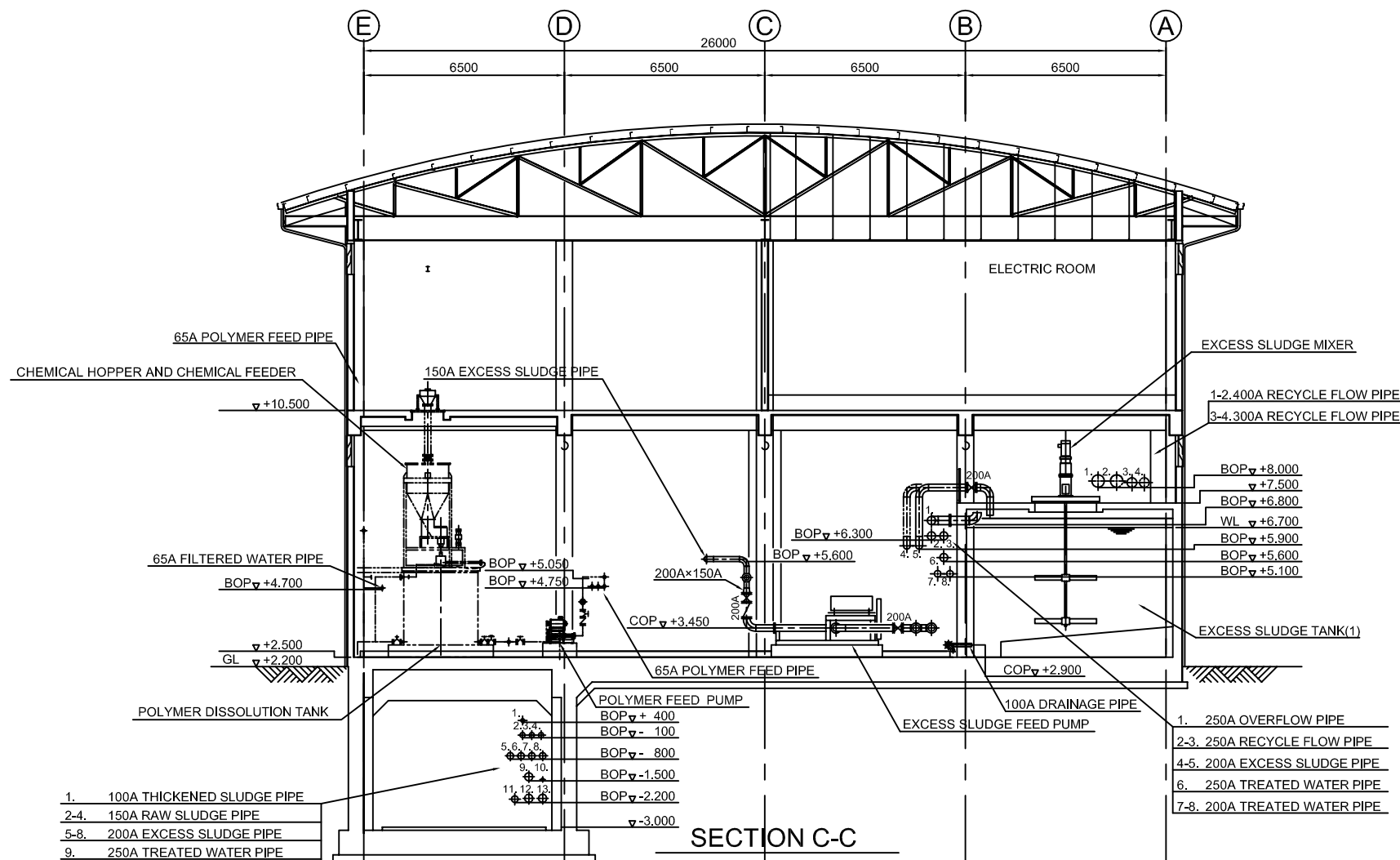


SECTION A-A



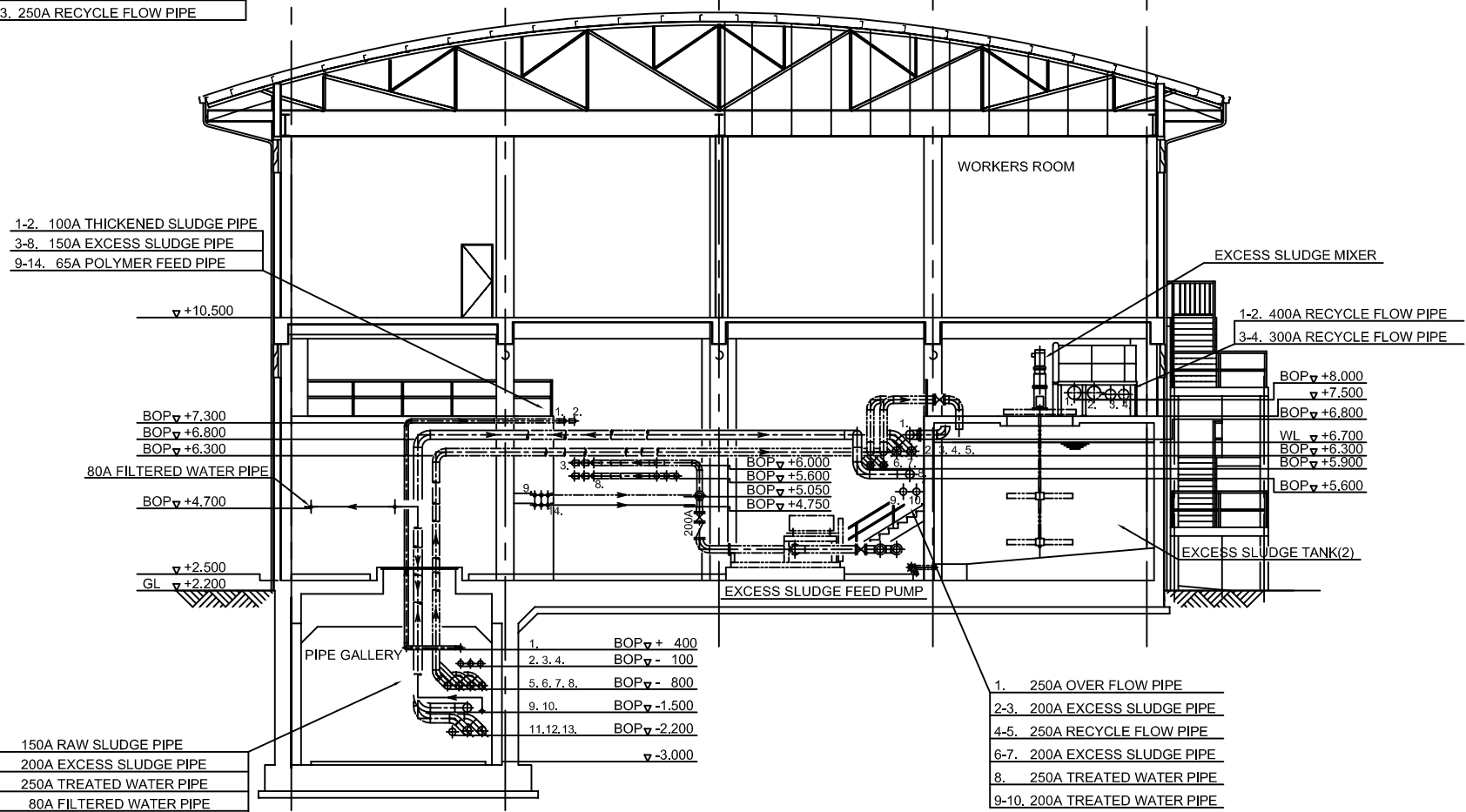
SECTION B-B

NO.	DATE	DESCRIPTIONS	BY	APRO.
REVISIONS				
PROJECT MANAGEMENT UNIT FOR WATER ENVIRONMENT IMPROVEMENT FOR HO CHI MINH CITY				
THE DETAILD DESIGN ON HO CHI MINH CITY WATER ENVIRONMENT IMPROVEMENT PROJECT IN THE SOCIALIST REPUBLIC OF VIET NAM				
PACKAGE E WASTEWATER TREATMENT PLANT SLUDGE TREATMENT FACILITY CROSS SECTION (1 / 4)				
SCALE : 1:100				
JAPAN INTERNATIONAL COOPERATION AGENCY (JICA)				
PACIFIC CONSULTANTS INTERNATIONAL				
DESIGNED KAWAZU SHINYA		CHECKED KONDO MASAMI		
DATE : JUNE 2001		DWG. No. PE- WWTP - 468		



- 1. 100A THICKENED SLUDGE PIPE
- 2-4. 150A RAW SLUDGE PIPE
- 5-8. 200A EXCESS SLUDGE PIPE
- 9. 250A TREATED WATER PIPE
- 10. 80A FILTERED WATER PIPE
- 11. 200A THICKENER EFFLUENT PIPE
- 12-13. 250A RECYCLE FLOW PIPE

SECTION C-C



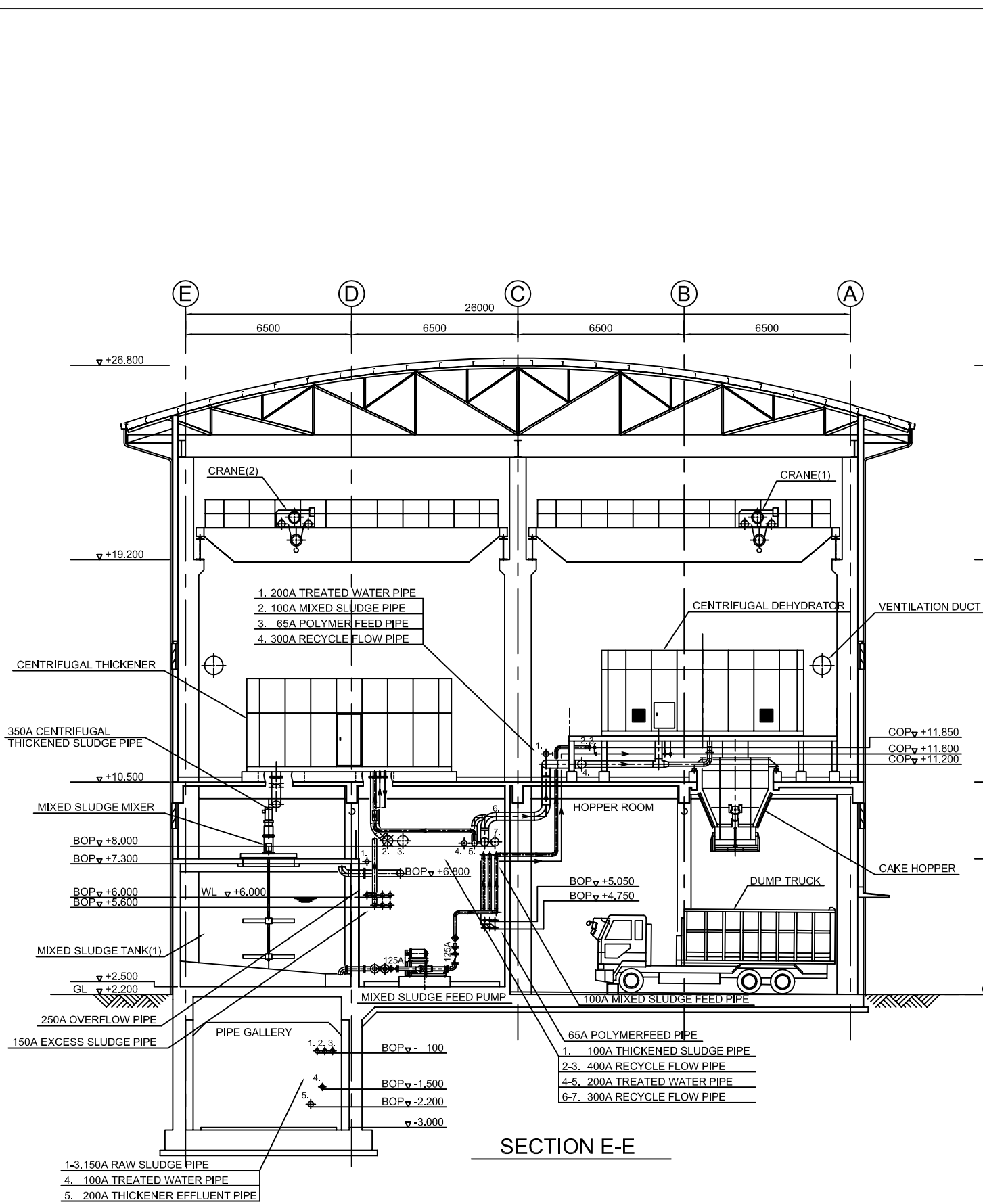
- 1-2. 100A THICKENED SLUDGE PIPE
- 3-8. 150A EXCESS SLUDGE PIPE
- 9-14. 65A POLYMER FEED PIPE

- 1-4. 150A RAW SLUDGE PIPE
- 5-8. 200A EXCESS SLUDGE PIPE
- 9. 250A TREATED WATER PIPE
- 10. 80A FILTERED WATER PIPE
- 11. 200A THICKENER EFFLUENT PIPE
- 12-13. 250A RECYCLE FLOW PIPE

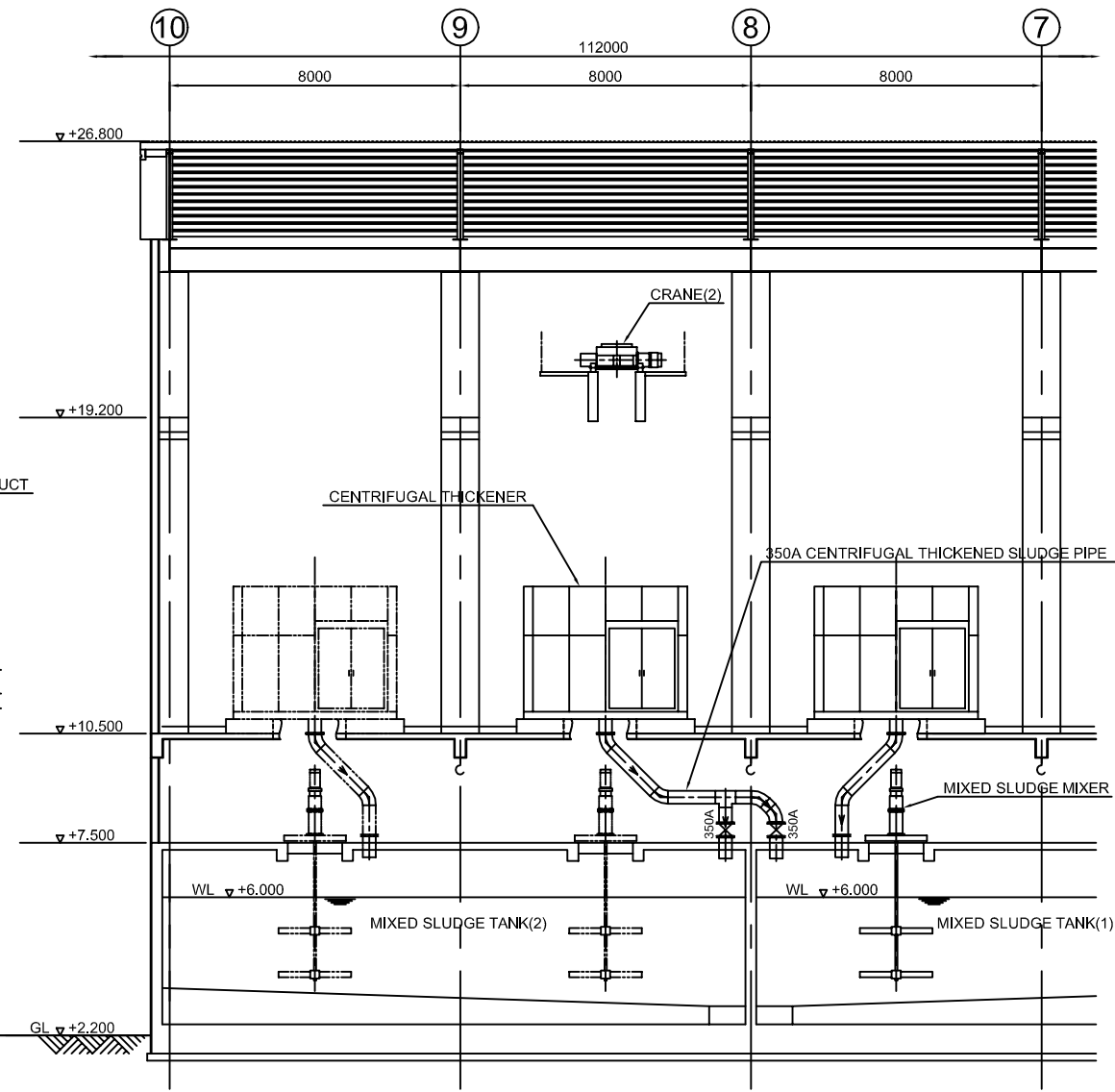
- 1. 250A OVER FLOW PIPE
- 2-3. 200A EXCESS SLUDGE PIPE
- 4-5. 250A RECYCLE FLOW PIPE
- 6-7. 200A EXCESS SLUDGE PIPE
- 8. 250A TREATED WATER PIPE
- 9-10. 200A TREATED WATER PIPE

SECTION D-D

NO.	DATE	DESCRIPTIONS	BY	APRO.
REVISIONS				
PROJECT MANAGEMENT UNIT FOR WATER ENVIRONMENT IMPROVEMENT FOR HO CHI MINH CITY				
THE DETAILD DESIGN ON HO CHI MINH CITY WATER ENVIRONMENT IMPROVEMENT PROJECT IN THE SOCIALIST REPUBLIC OF VIET NAM				
PACKAGE E WASTEWATER TREATMENT PLANT SLUDGE TREATMENT FACILITY CROSS SECTION (2 / 4)				
SCALE : 1:100				
JAPAN INTERNATIONAL COOPERATION AGENCY (JICA)				
PACIFIC CONSULTANTS INTERNATIONAL				
DESIGNED KAWAZU SHINYA		CHECKED KONDO MASAMI		
DATE : JUNE 2001		DWG. No. PE- WWTP - 469		



SECTION E-E



SECTION G-G

NO.	DATE	DESCRIPTIONS	BY	APRO.

REVISIONS

PROJECT MANAGEMENT UNIT FOR
WATER ENVIRONMENT IMPROVEMENT FOR
HO CHI MINH CITY

THE DETAILD DESIGN ON HO CHI MINH CITY
WATER ENVIRONMENT IMPROVEMENT PROJECT
IN THE SOCIALIST REPUBLIC OF VIET NAM

PACKAGE E
WASTEWATER TREATMENT PLANT
SLUDGE TREATMENT FACILITY
CROSS SECTION (3 / 4)

SCALE : 1:100

JICA JAPAN INTERNATIONAL COOPERATION
AGENCY (JICA)

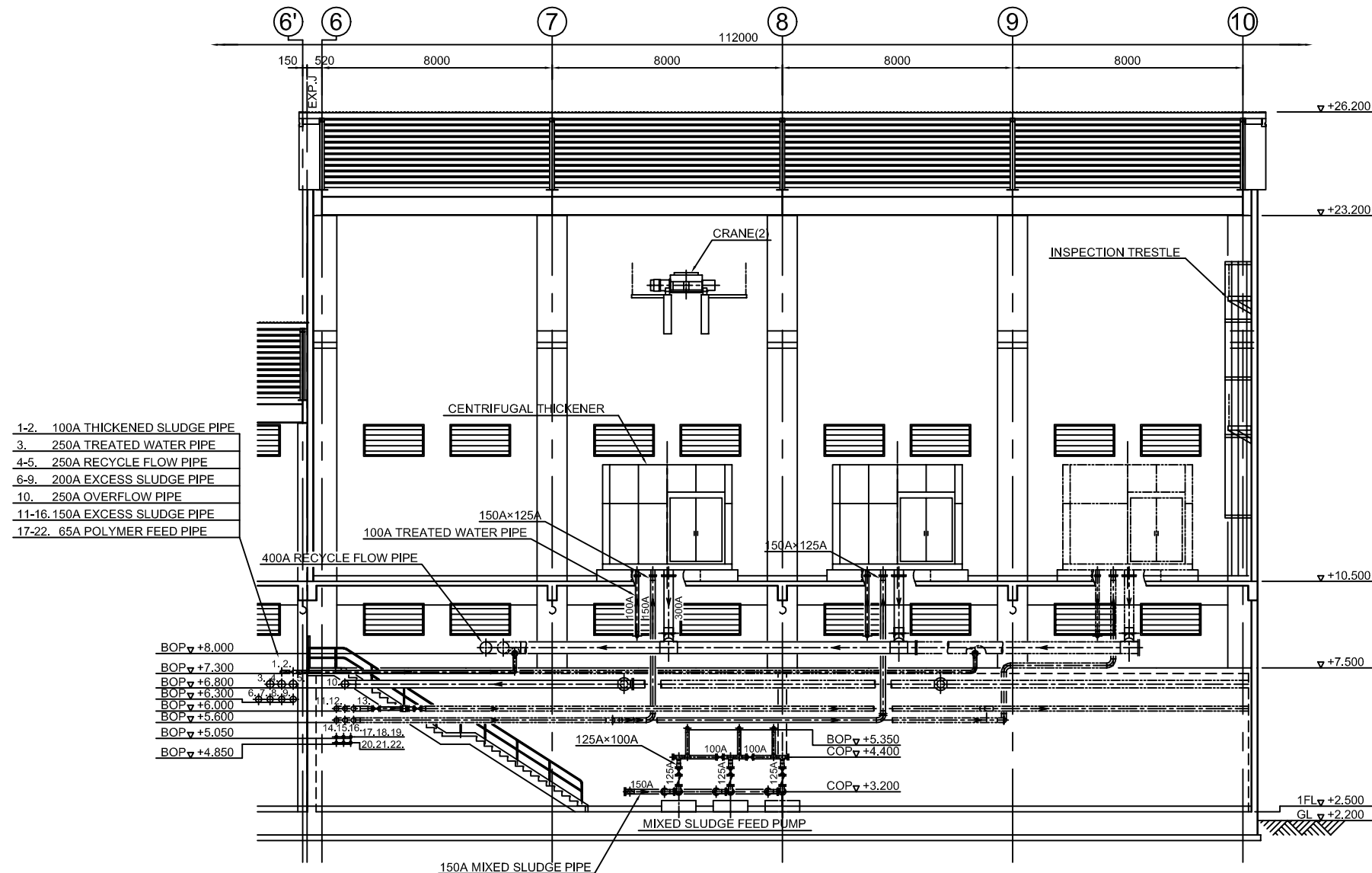
PACIFIC CONSULTANTS INTERNATIONAL

DESIGNED
KAWAZU SHINYA

CHECKED
KONDO MASAMI

DATE : JUNE 2001

DWG. No. PE- WWTP - 470



SECTION F-F

NO.	DATE	DESCRIPTIONS	BY	APRO.

REVISIONS

PROJECT MANAGEMENT UNIT FOR
WATER ENVIRONMENT IMPROVEMENT FOR
HO CHI MINH CITY

THE DETAILD DESIGN ON HO CHI MINH CITY
WATER ENVIRONMENT IMPROVEMENT PROJECT
IN THE SOCIALIST REPUBLIC OF VIET NAM

PACKAGE E
WASTEWATER TREATMENT PLANT
SLUDGE TREATMENT FACILITY
CROSS SECTION (4 / 4)

SCALE : 1:100

JICA JAPAN INTERNATIONAL COOPERATION
AGENCY (JICA)

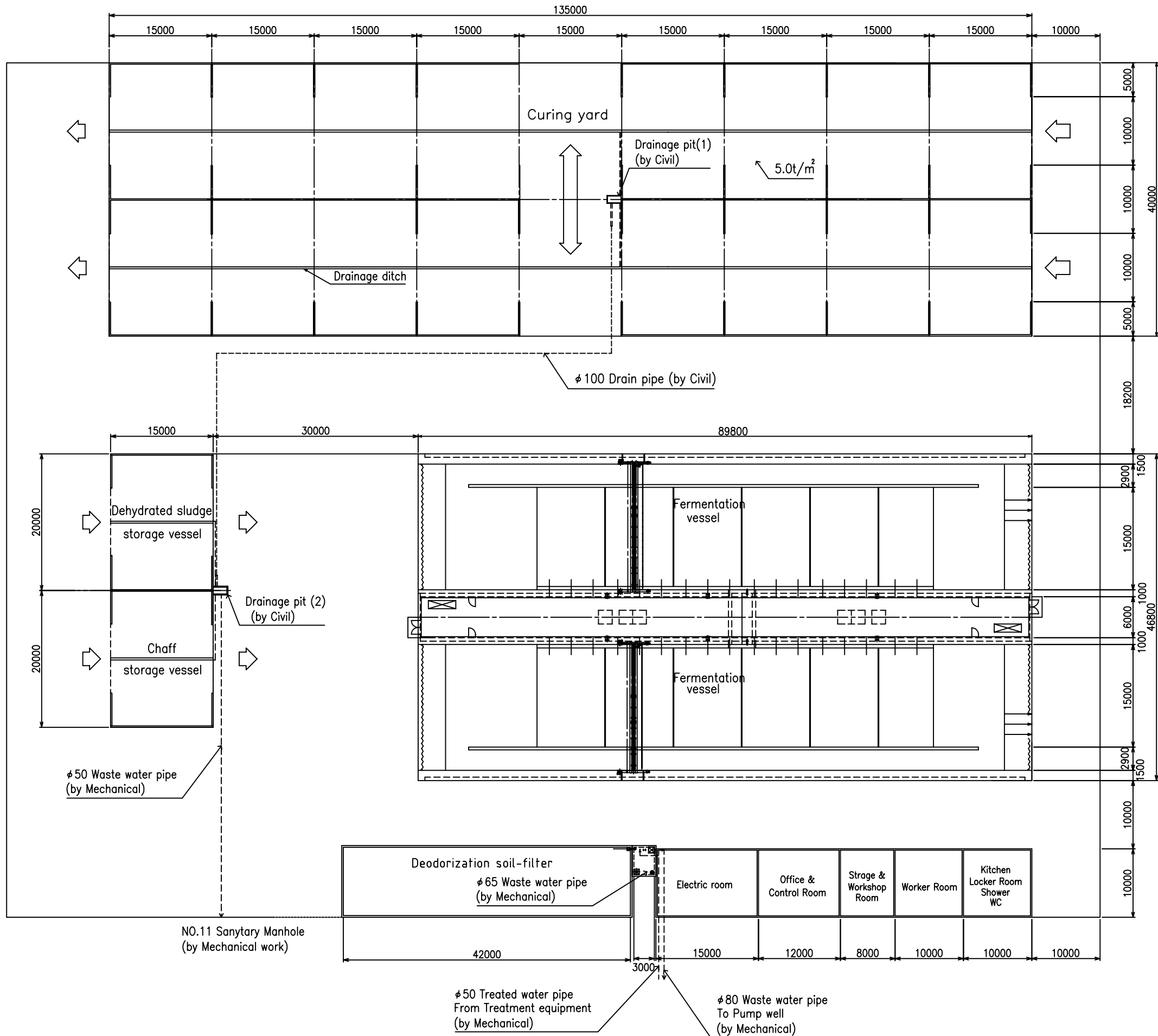
PACIFIC CONSULTANTS INTERNATIONAL

DESIGNED
KAWAZU SHINYA

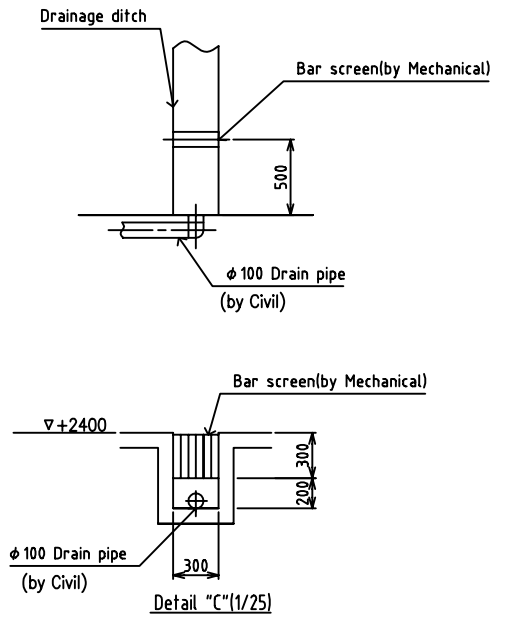
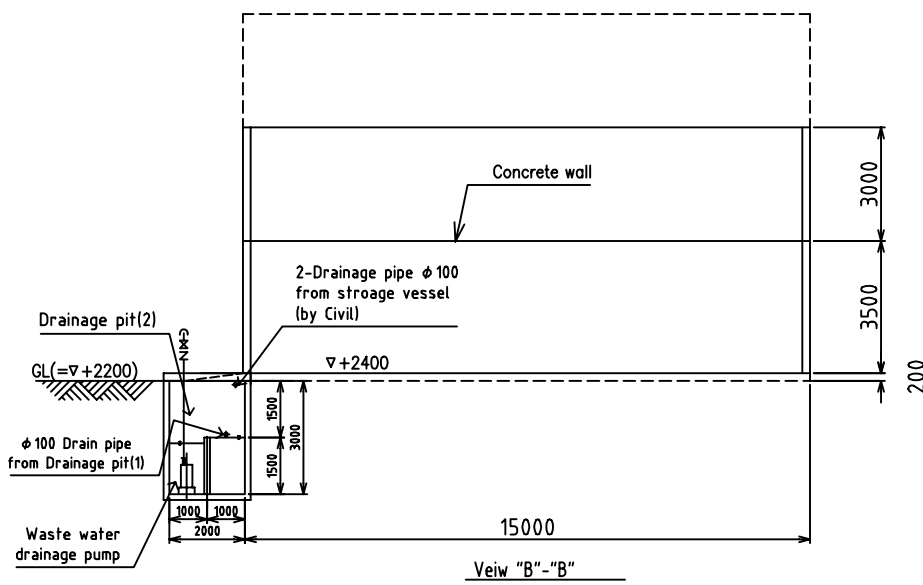
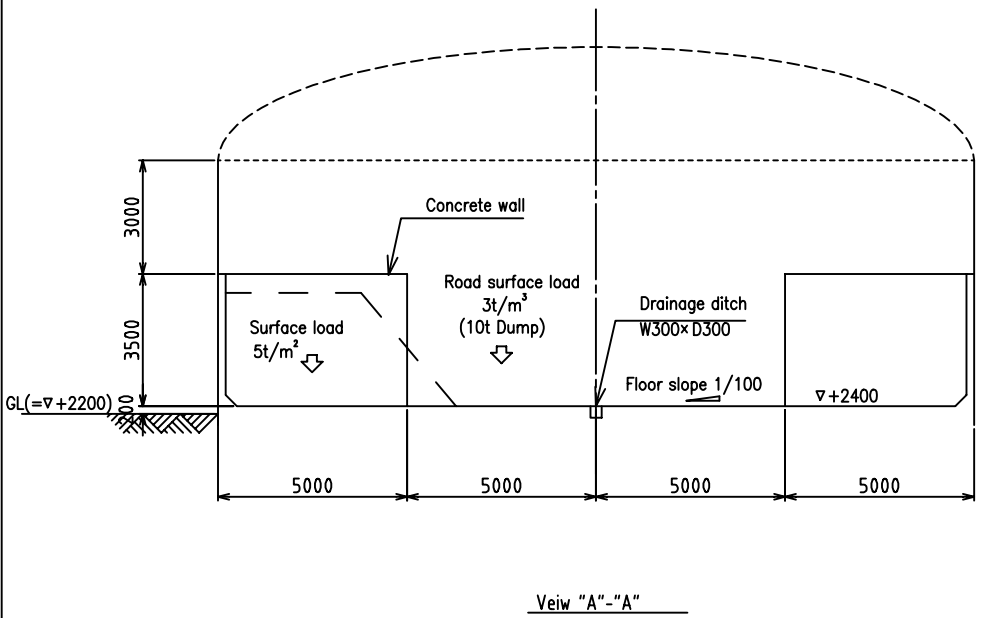
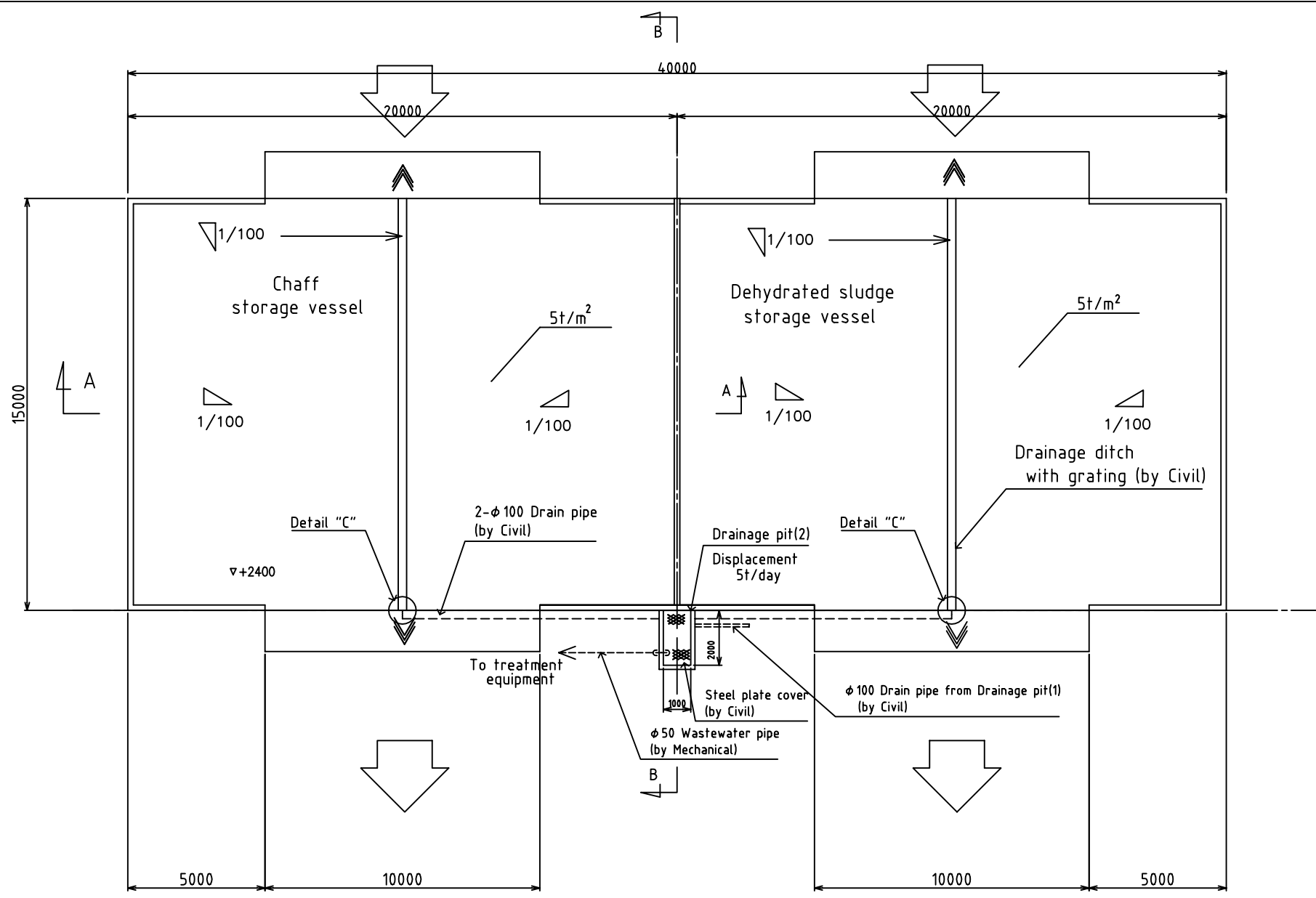
CHECKED
KONDO MASAMI

DATE : JUNE 2001

DWG. No. PE- WWTP - 471



NO.	DATE	DESCRIPTIONS	BY	APRO.
REVISIONS				
PROJECT MANAGEMENT UNIT FOR WATER ENVIRONMENT IMPROVEMENT FOR HO CHI MINH CITY				
THE DETAILD DESIGN ON HO CHI MINH CITY WATER ENVIRONMENT IMPROVEMENT PROJECT IN THE SOCIALIST REPUBLIC OF VIET NAM				
PACKAGE E WASTEWATER TREATMENT PLANT COMPOST FACILITY GENERAL PLAN				
SCALE : 1:300				
JAPAN INTERNATIONAL COOPERATION AGENCY (JICA)				
PACIFIC CONSULTANTS INTERNATIONAL				
DESIGNED KAWAZU SHINYA		CHECKED KONDO MASAMI		
DATE : JUNE 2001		DWG. No. PE - WWTP - 475		



NO.	DATE	DESCRIPTIONS	BY	APRO.

REVISIONS

PROJECT MANAGEMENT UNIT FOR
WATER ENVIRONMENT IMPROVEMENT FOR
HO CHI MINH CITY

THE DETAILD DESIGN ON HO CHI MINH CITY
WATER ENVIRONMENT IMPROVEMENT PROJECT
IN THE SOCIALIST REPUBLIC OF VIET NAM

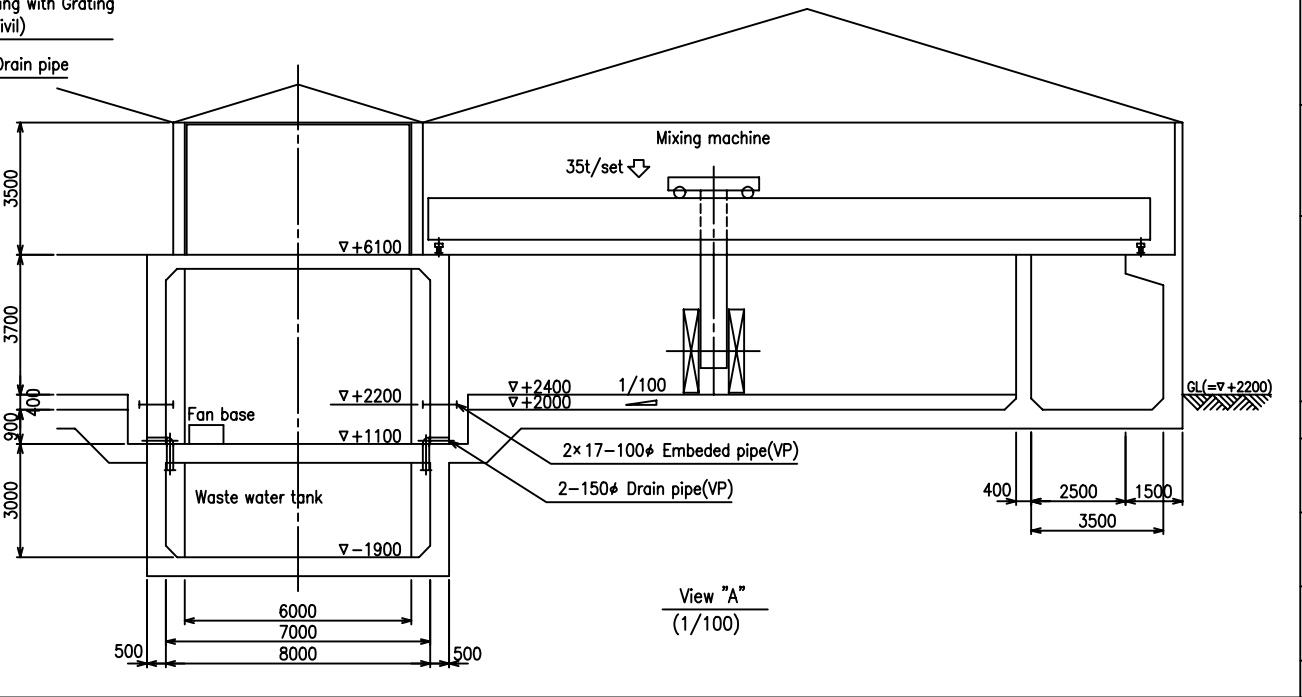
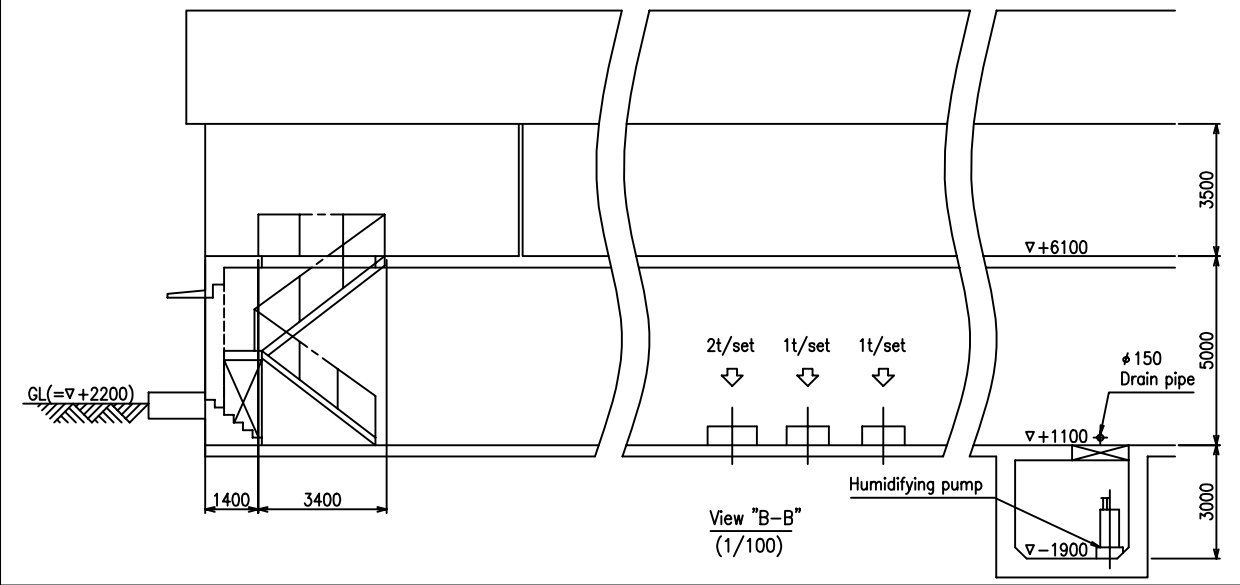
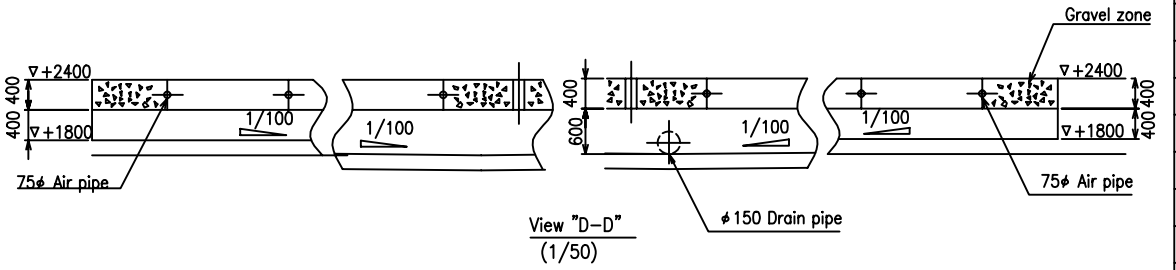
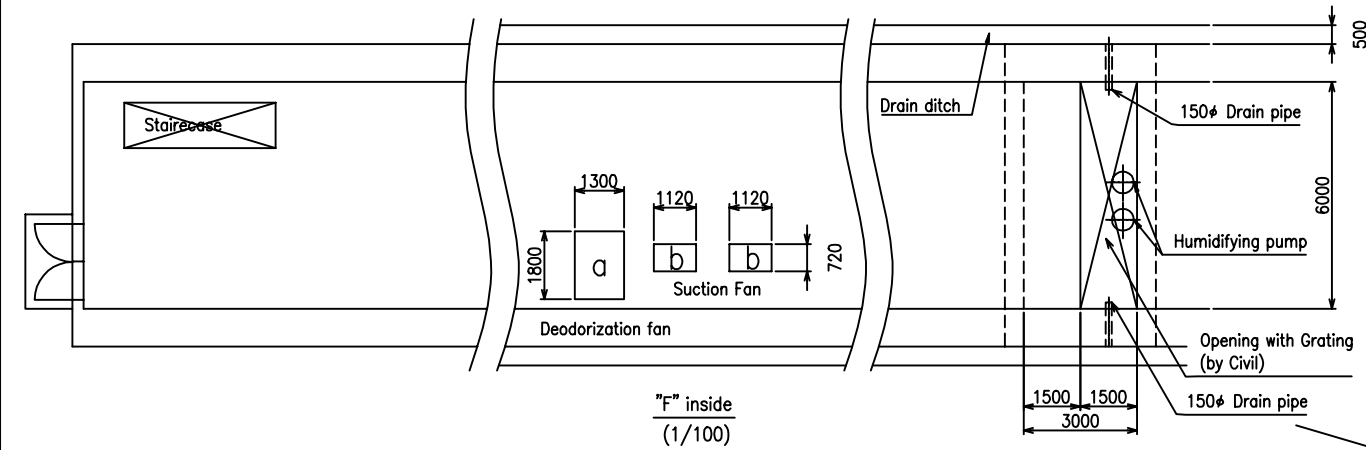
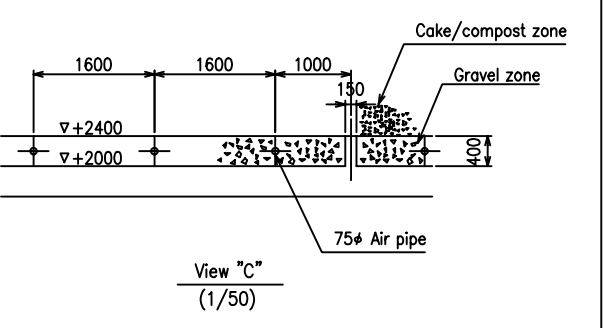
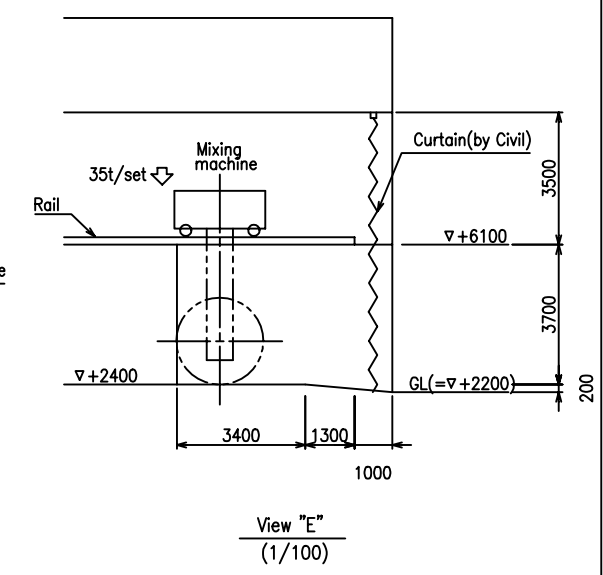
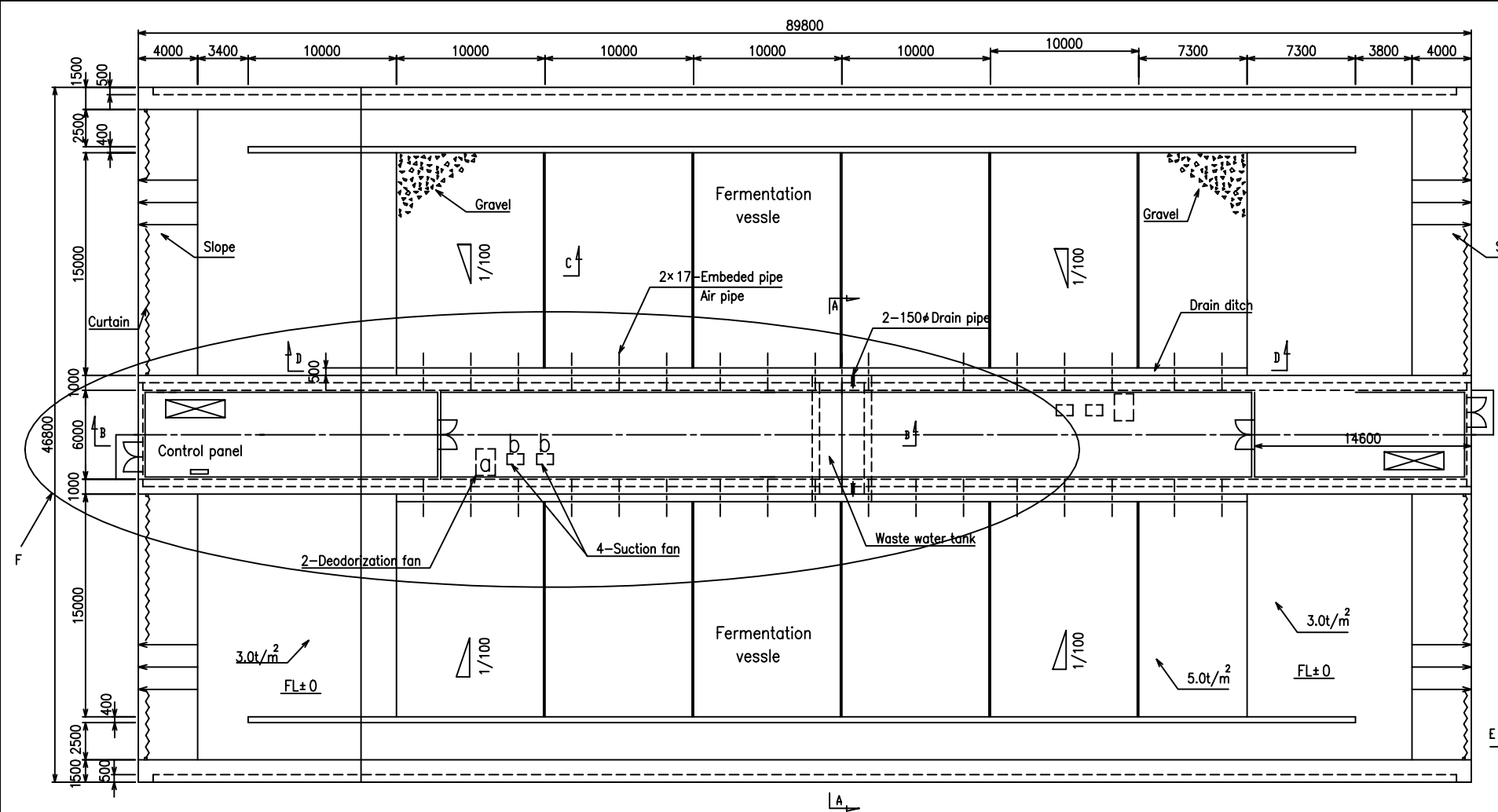
PACKAGE E
WASTEWATER TREATMENT PLANT
COMPOST FACILITY
PLAN AND CROSS SECTION
(1 / 4)

SCALE : 1:100

JICA JAPAN INTERNATIONAL COOPERATION
AGENCY (JICA)

PACIFIC CONSULTANTS INTERNATIONAL

DESIGNED KAWAZU SHINYA	CHECKED KONDO MASAMI
DATE : JUNE 2001	DWG. No. PE - WWTP - 476



NO.	DATE	DESCRIPTIONS	BY	APRO.

REVISIONS

PROJECT MANAGEMENT UNIT FOR
WATER ENVIRONMENT IMPROVEMENT FOR
HO CHI MINH CITY

THE DETAILD DESIGN ON HO CHI MINH CITY
WATER ENVIRONMENT IMPROVEMENT PROJECT
IN THE SOCIALIST REPUBLIC OF VIET NAM

PACKAGE E
WASTEWATER TREATMENT PLANT
COMPOST FACILITY
PLAN AND CROSS SECTION
(2 / 4)

SCALE : 1:200

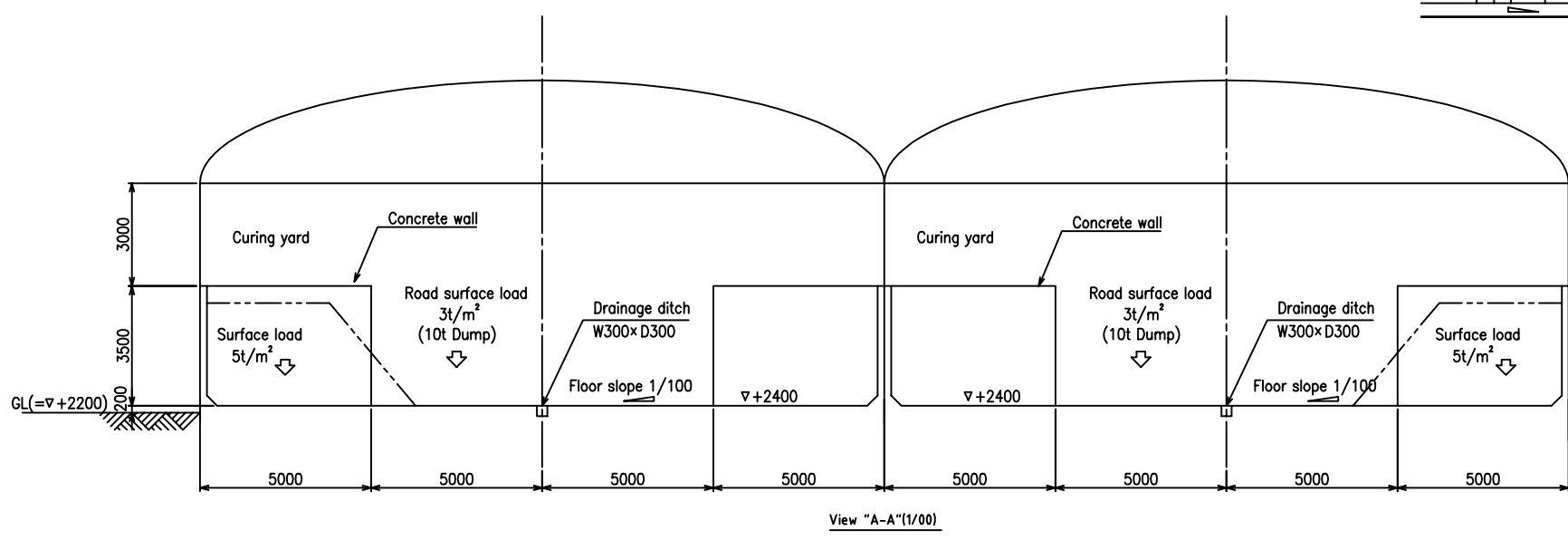
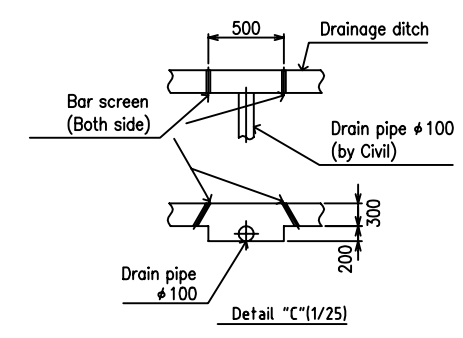
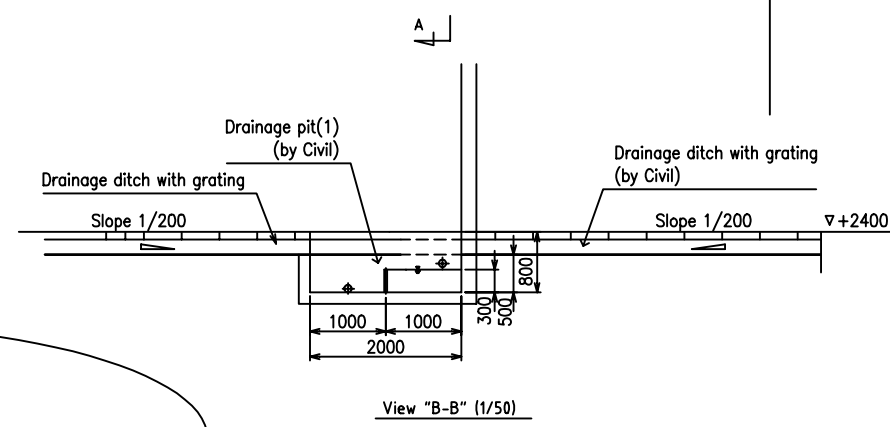
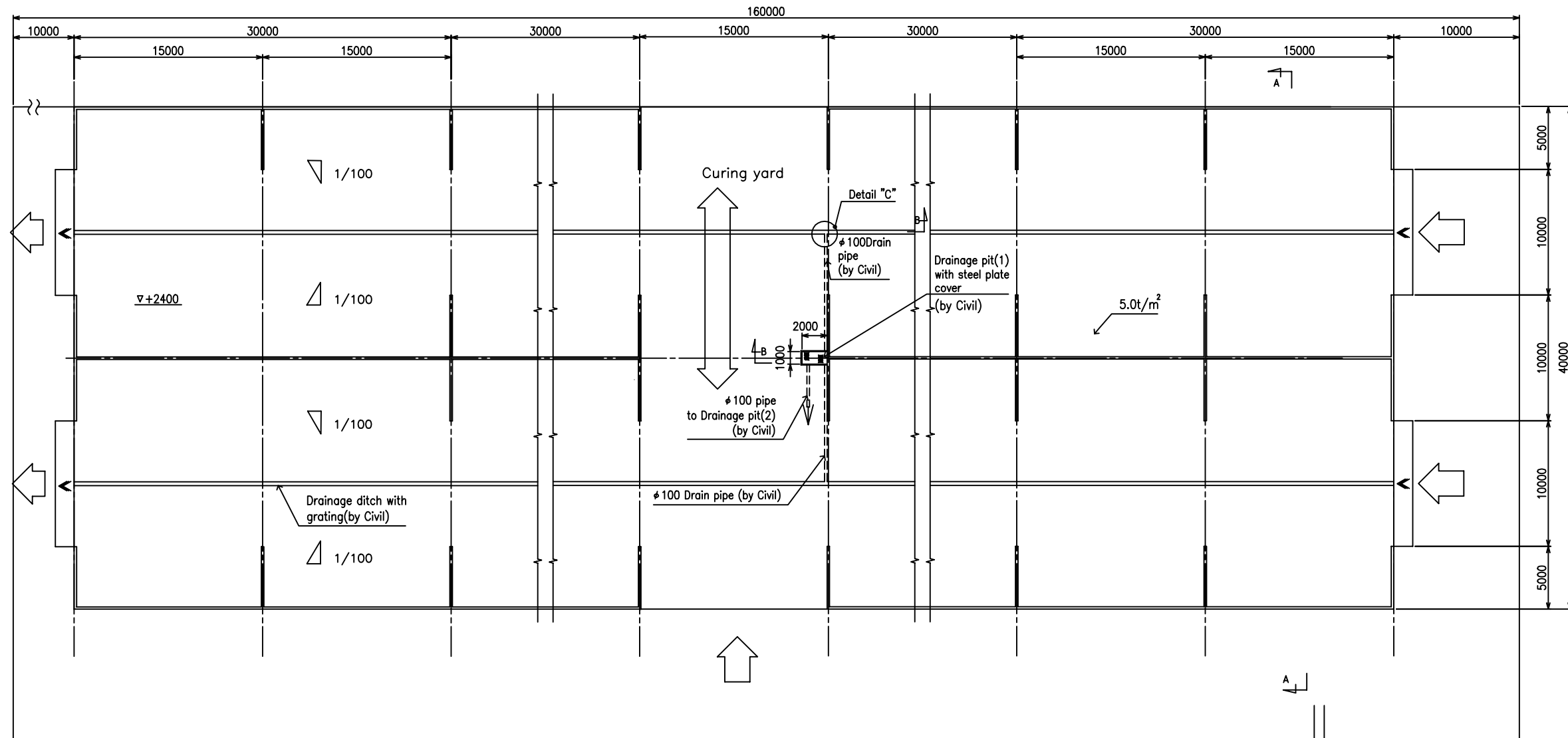
JICA JAPAN INTERNATIONAL COOPERATION
AGENCY (JICA)

PACIFIC CONSULTANTS INTERNATIONAL

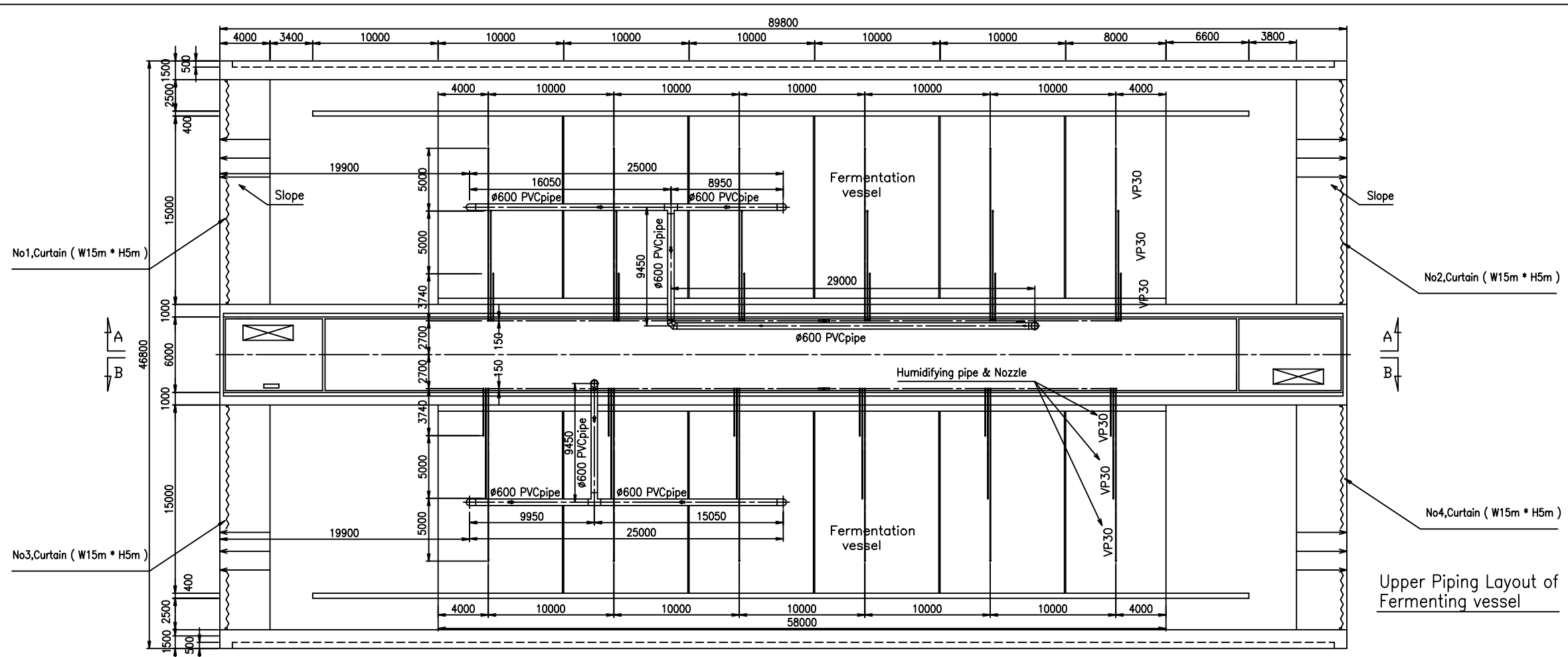
DESIGNED
KAWAZU SHINYA

CHECKED
KONDO MASAMI

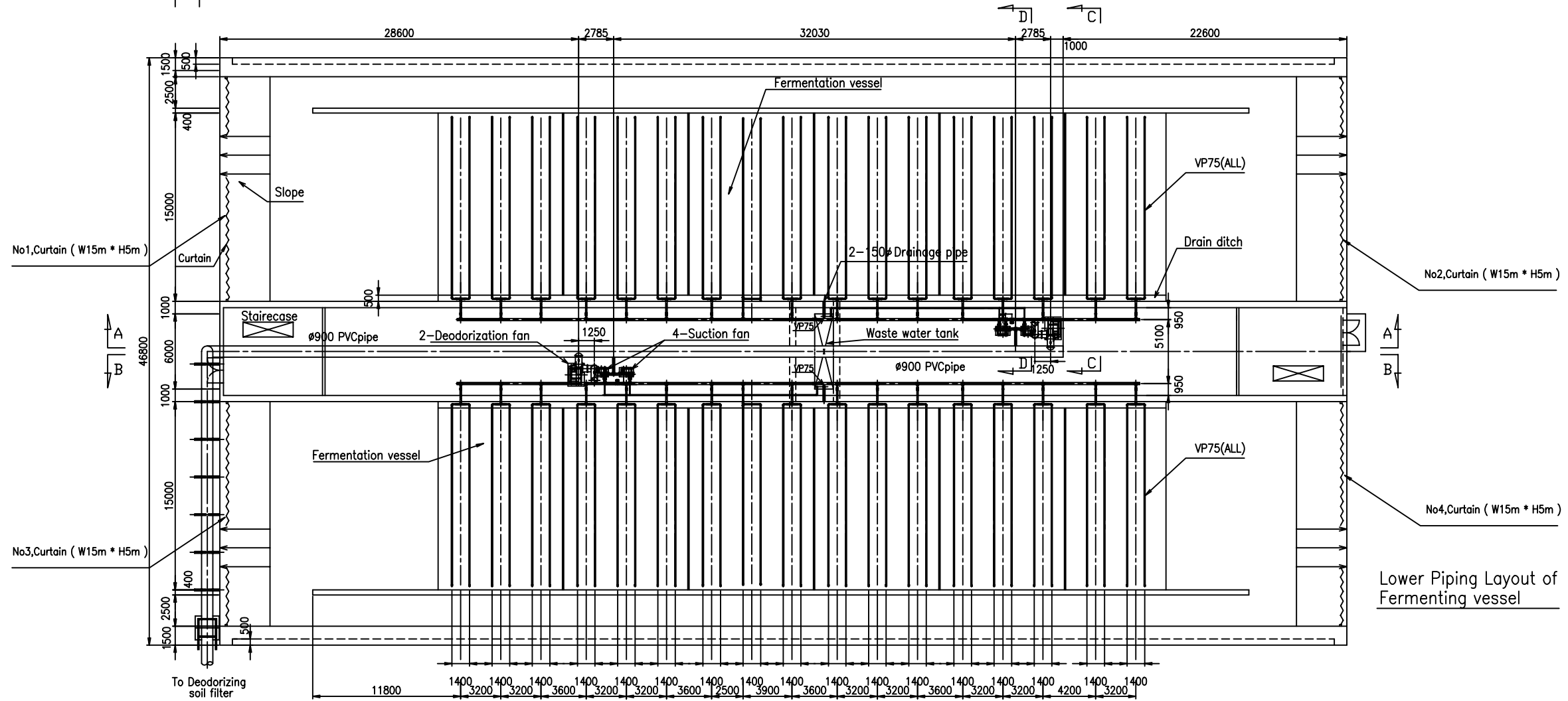
DATE : JUNE 2001 DWG. No. PE - WWTP - 477





NO.	DATE	DESCRIPTIONS	BY	APRO.
REVISIONS				
PROJECT MANAGEMENT UNIT FOR WATER ENVIRONMENT IMPROVEMENT FOR HO CHI MINH CITY				
THE DETAILED DESIGN ON HO CHI MINH CITY WATER ENVIRONMENT IMPROVEMENT PROJECT IN THE SOCIALIST REPUBLIC OF VIET NAM				
PACKAGE E WASTEWATER TREATMENT PLANT COMPOST FACILITY PLAN AND CROSS SECTION (3 / 4)				
SCALE : 1:200				
JICA JAPAN INTERNATIONAL COOPERATION AGENCY (JICA)		PACIFIC CONSULTANTS INTERNATIONAL		
DESIGNED KAWAZU SHINYA		CHECKED KONDO MASAMI		
DATE : JUNE 2001		DWG. No. PE - WWTP - 478		

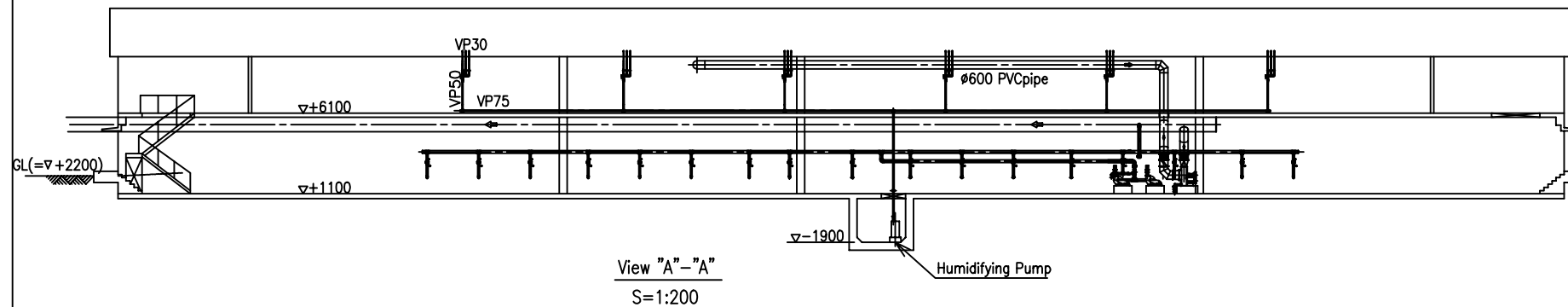


Upper Piping Layout of Fermenting vessel

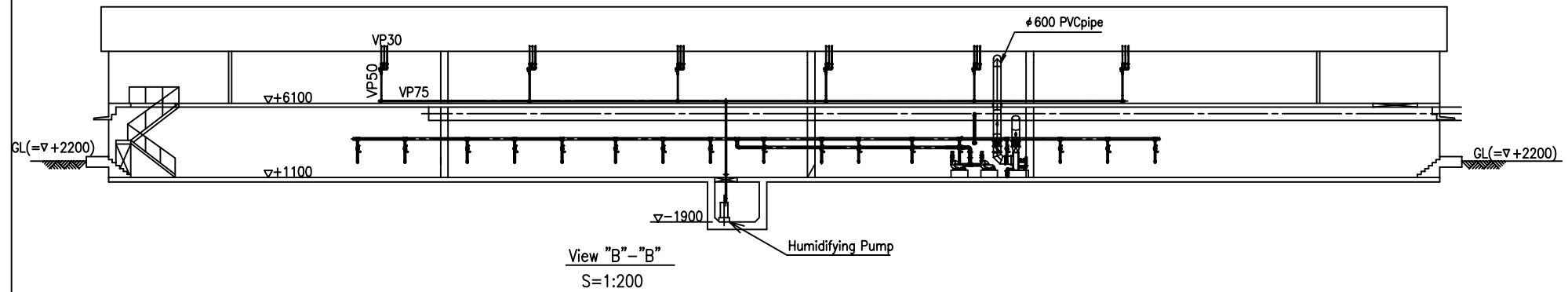


Lower Piping Layout of Fermenting vessel

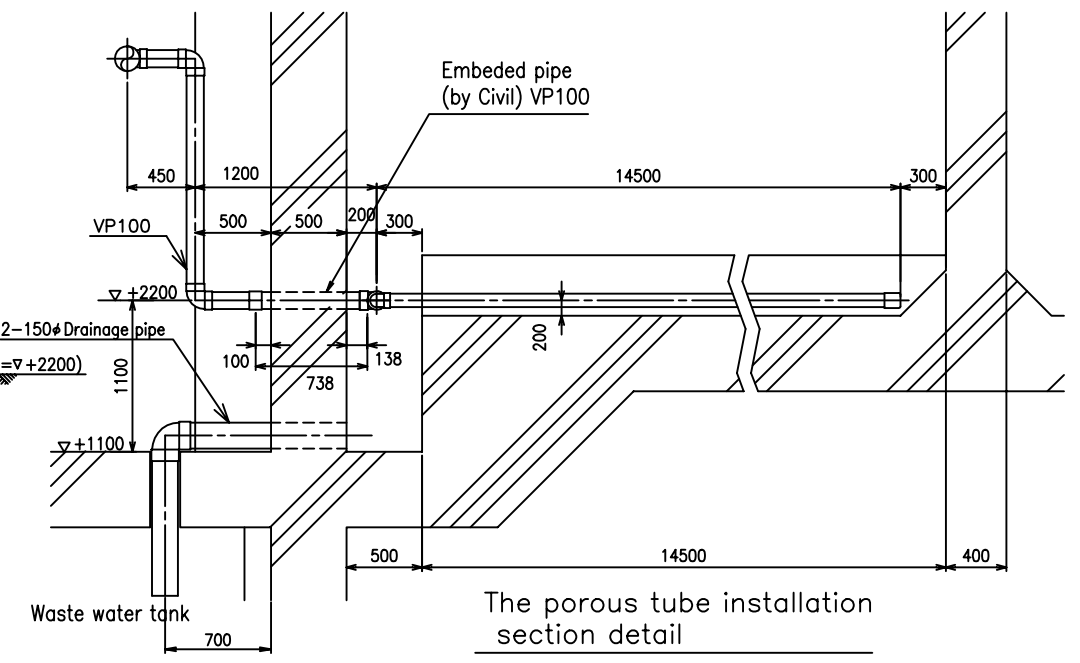
NO.	DATE	DESCRIPTIONS	BY	APPRO.
REVISIONS				
PROJECT MANAGEMENT UNIT FOR WATER ENVIRONMENT IMPROVEMENT FOR HO CHI MINH CITY				
THE DETAILED DESIGN ON HO CHI MINH CITY WATER ENVIRONMENT IMPROVEMENT PROJECT IN THE SOCIALIST REPUBLIC OF VIET NAM				
PACKAGE E WASTEWATER TREATMENT PLANT COMPOST FACILITY FERMENTATION VESSEL PIPING (1 / 3)				
SCALE : 1:200				
 JAPAN INTERNATIONAL COOPERATION AGENCY (JICA)				
 PACIFIC CONSULTANTS INTERNATIONAL				
DESIGNED KAWAZU SHINYA		CHECKED KONDO MASAMI		
DATE : JUNE 2001		DWG. No. PE - WWTP - 480		



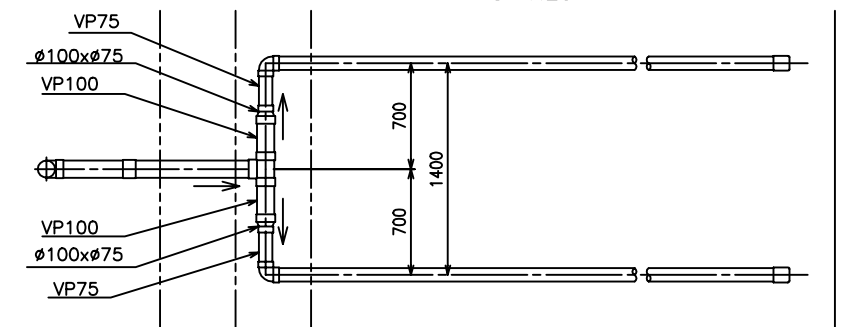
View "A"- "A"
S=1:200



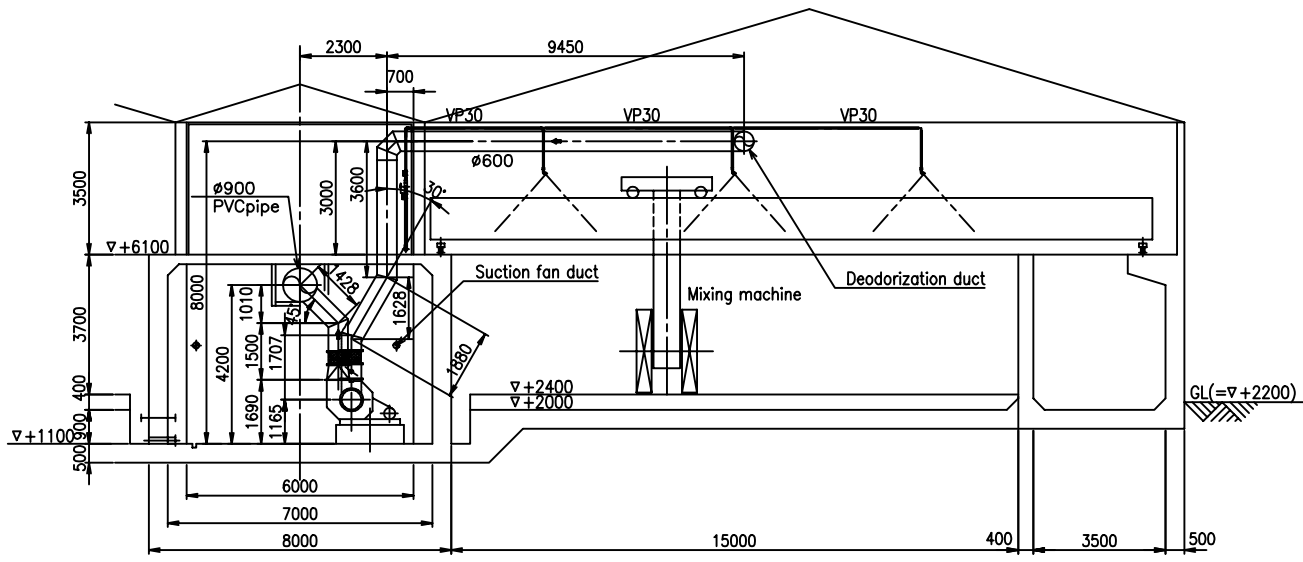
View "B"- "B"
S=1:200



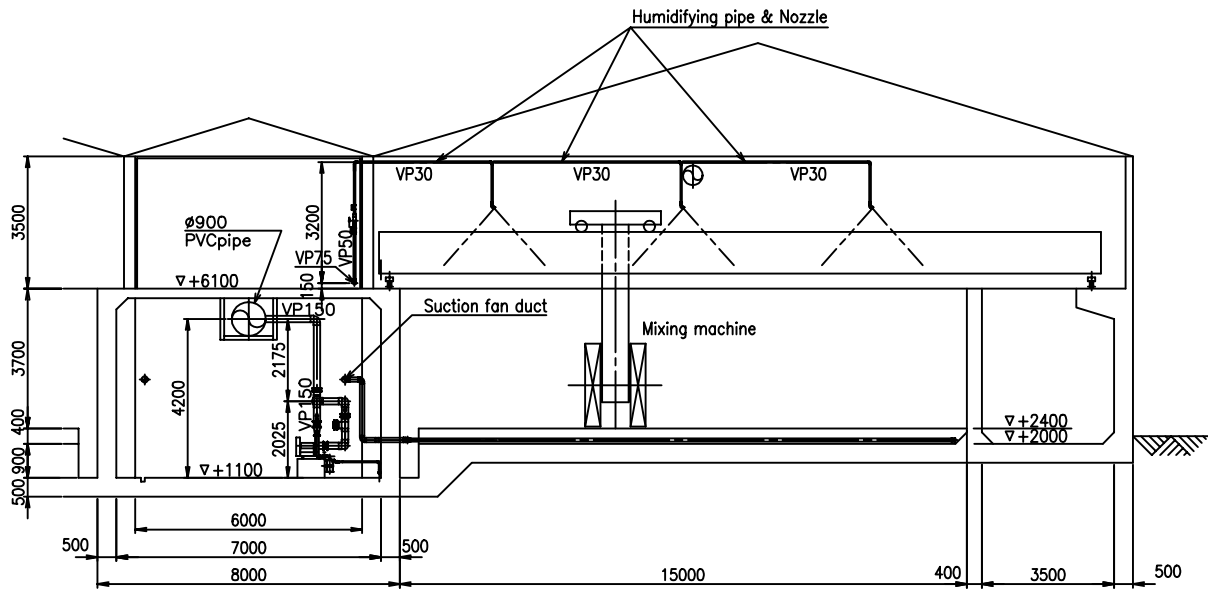
The porous tube installation
section detail
S=1:25



The porous tube connection part detail
S=1:25



View "C"- "C"
S=1:200



View "D"- "D"
S=1:200

NO.	DATE	DESCRIPTIONS	BY	APRO.

REVISIONS

PROJECT MANAGEMENT UNIT FOR
WATER ENVIRONMENT IMPROVEMENT FOR
HO CHI MINH CITY

THE DETAILED DESIGN ON HO CHI MINH CITY
WATER ENVIRONMENT IMPROVEMENT PROJECT
IN THE SOCIALIST REPUBLIC OF VIET NAM

PACKAGE E
WASTEWATER TREATMENT PLANT
COMPOST FACILITY
FERMENTATION VESSEL PIPING
(2 / 3)

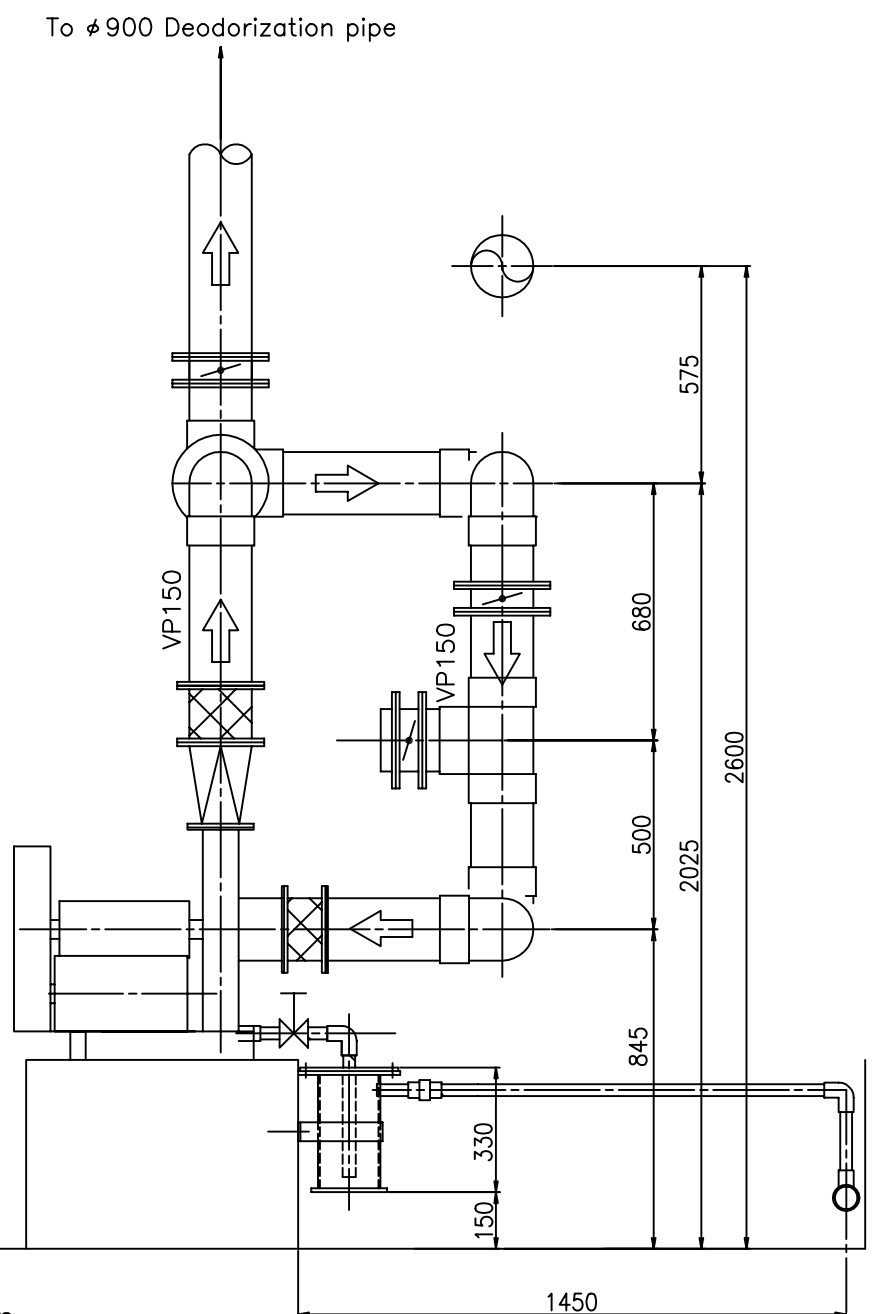
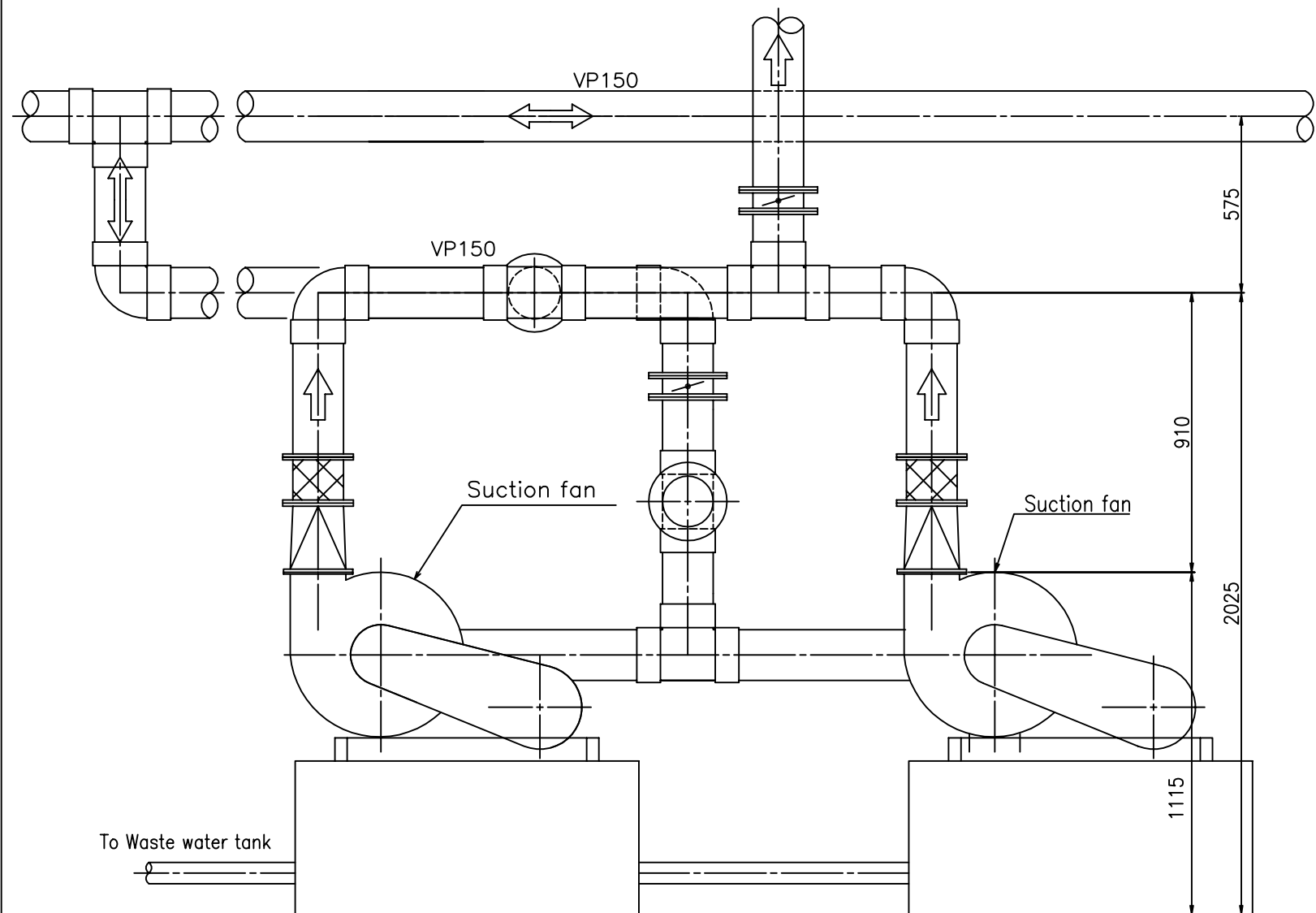
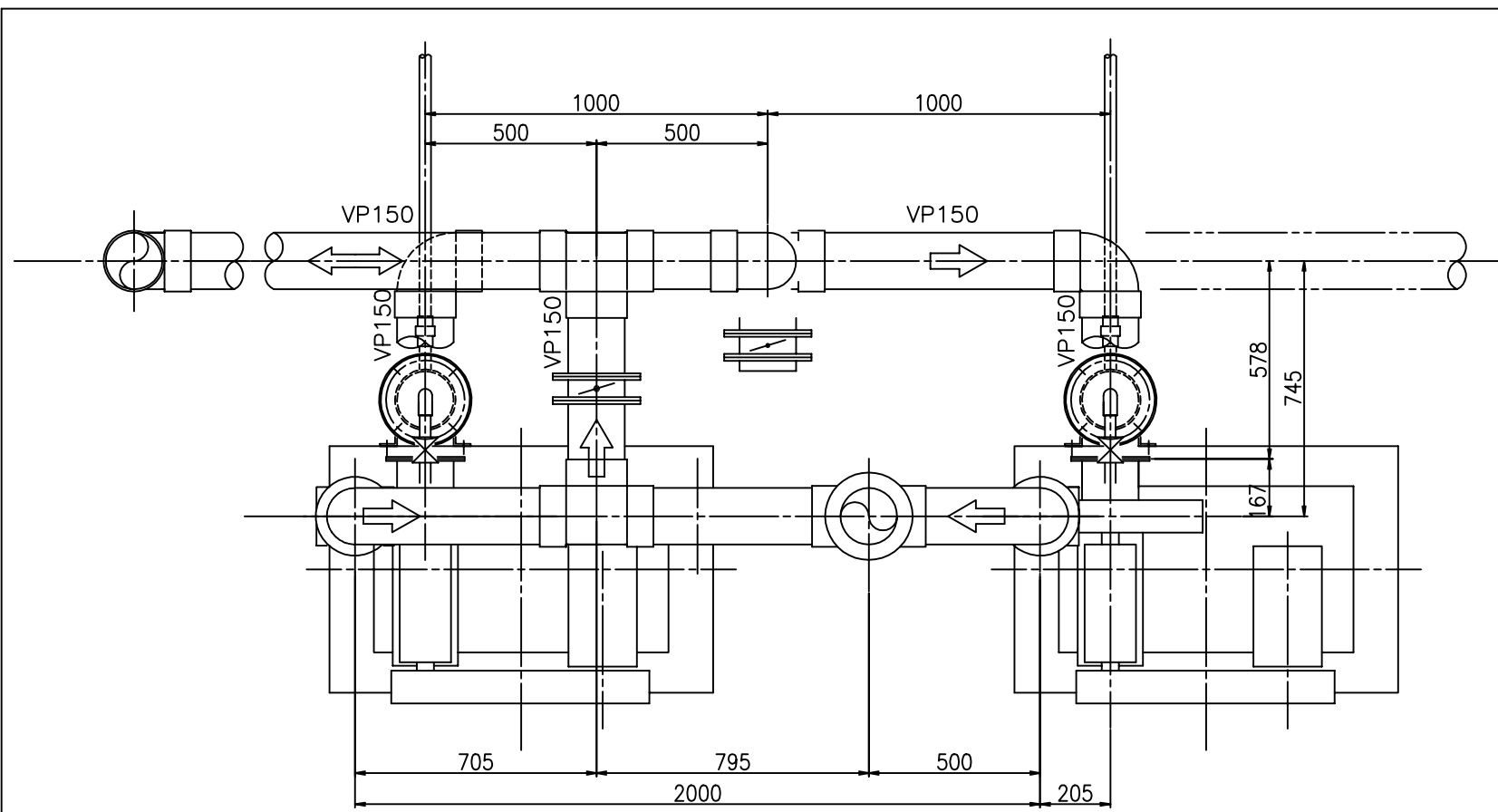
SCALE : 1:100

JICA JAPAN INTERNATIONAL COOPERATION
AGENCY (JICA)

PCIPACIFIC CONSULTANTS INTERNATIONAL

DESIGNED KAWAZU SHINYA	CHECKED KONDO MASAMI
---------------------------	-------------------------

DATE : JUNE 2001 DWG. No. PE - WWTP - 481



Detail of Piping around Suction fan

NO.	DATE	DESCRIPTIONS	BY	APRO.
-----	------	--------------	----	-------

REVISIONS

PROJECT MANAGEMENT UNIT FOR
WATER ENVIRONMENT IMPROVEMENT FOR
HO CHI MINH CITY

THE DETAILD DESIGN ON HO CHI MINH CITY
WATER ENVIRONMENT IMPROVEMENT PROJECT
IN THE SOCIALIST REPUBLIC OF VIET NAM

PACKAGE E
WASTEWATER TREATMENT PLANT
COMPOST FACILITY
FERMENTATION VESSEL PIPING
(3 / 3)

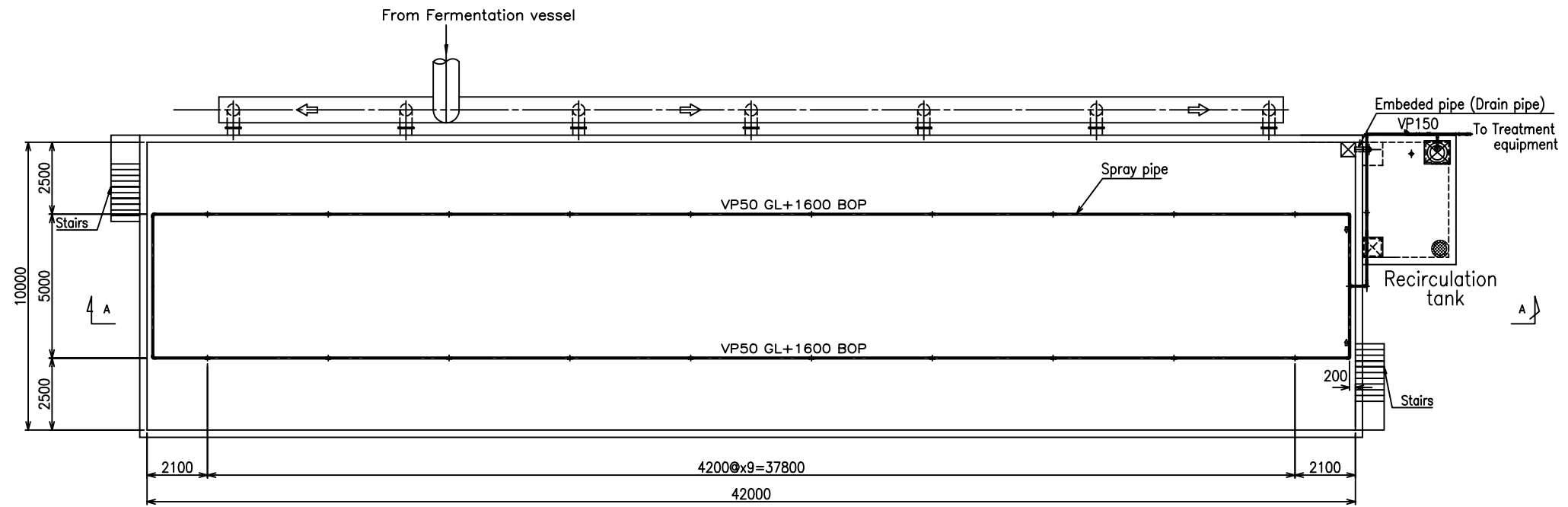
SCALE : 1:10

JICA JAPAN INTERNATIONAL COOPERATION
AGENCY (JICA)

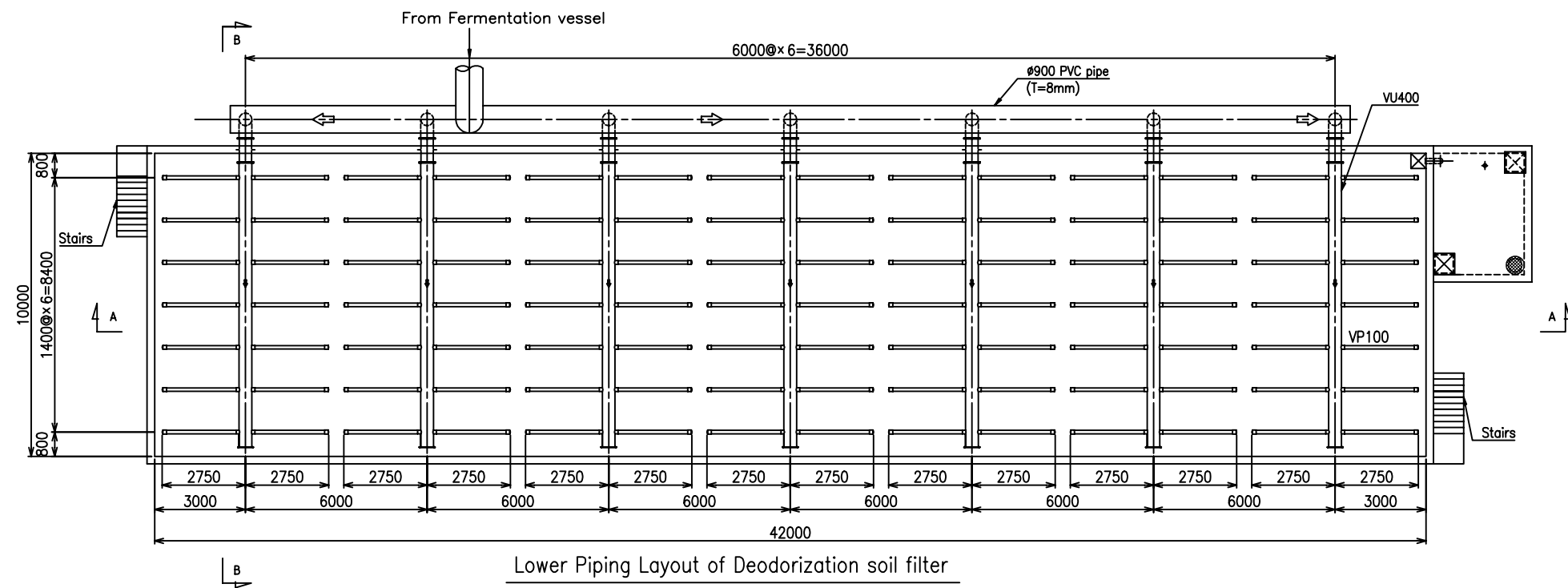
PCIPACIFIC CONSULTANTS INTERNATIONAL

DESIGNED KAWAZU SHINYA	CHECKED KONDO MASAMI
---------------------------	-------------------------

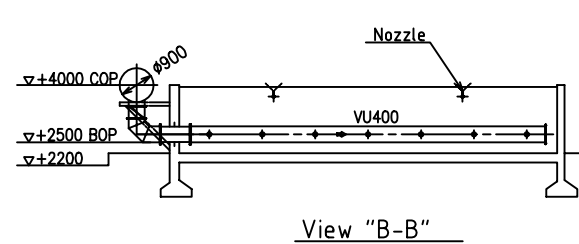
DATE : JUNE 2001 DWG. No. PE - WWTP - 482



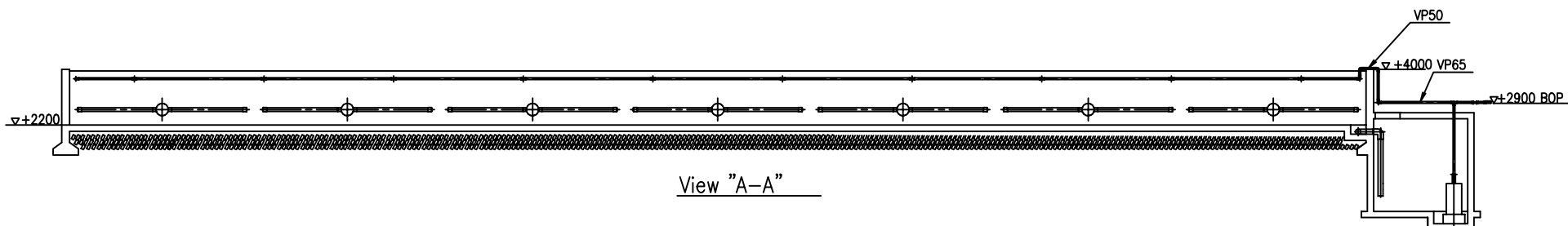
Upper Piping Layout of Deodorization soil filter



Lower Piping Layout of Deodorization soil filter



View "B-B"



View "A-A"

NO.	DATE	DESCRIPTIONS	BY	APRO.

REVISIONS

PROJECT MANAGEMENT UNIT FOR
WATER ENVIRONMENT IMPROVEMENT FOR
HO CHI MINH CITY

THE DETAILD DESIGN ON HO CHI MINH CITY
WATER ENVIRONMENT IMPROVEMENT PROJECT
IN THE SOCIALIST REPUBLIC OF VIET NAM

PACKAGE E
WASTEWATER TREATMENT PLANT
COMPOST FACILITY
DEODORIZATION PIPING
(2 / 2)

SCALE : 1:100

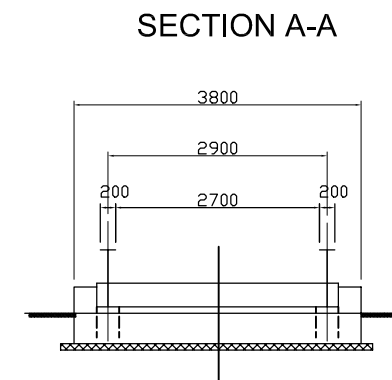
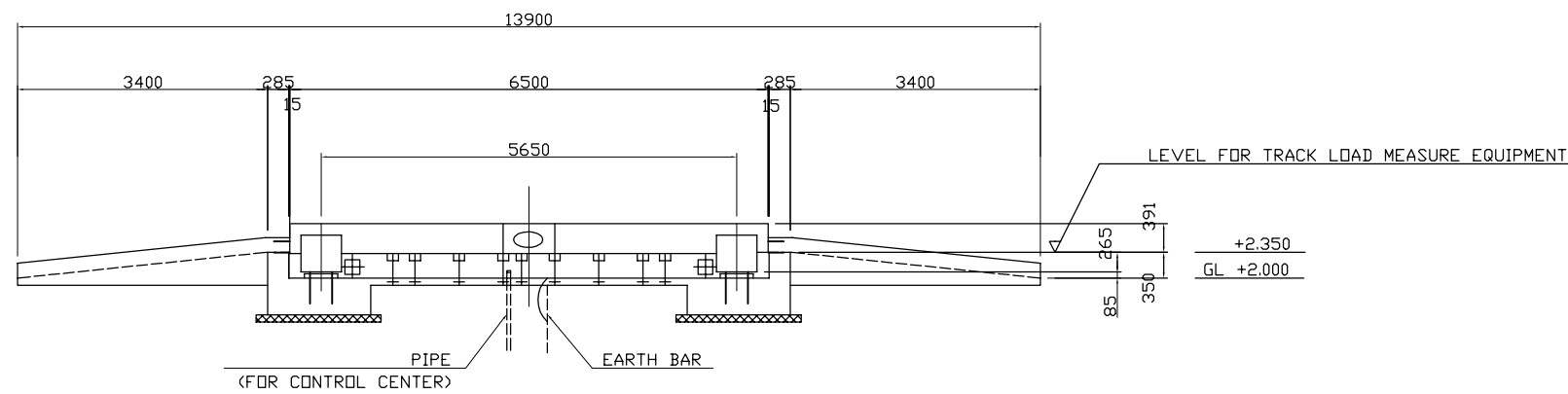
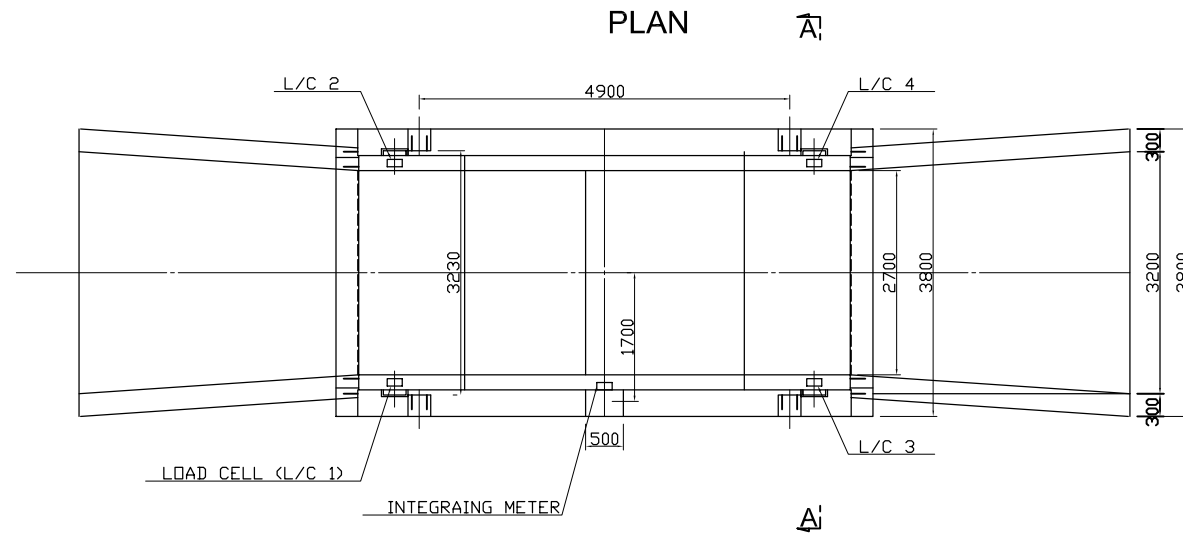
JICA JAPAN INTERNATIONAL COOPERATION
AGENCY (JICA)

PACIFIC CONSULTANTS INTERNATIONAL

DESIGNED
KAWAZU SHINYA

CHECKED
KONDO MASAMI

DATE : JUNE 2001 DWG. No. PE - WWTP - 484



NO.	DATE	DESCRIPTIONS	BY	APRO.
-----	------	--------------	----	-------

REVISIONS

PROJECT MANAGEMENT UNIT FOR
HO CHI MINH CITY
WATER ENVIRONMENT IMPROVEMENT

THE DETAILED DESIGN ON HO CHI MINH CITY
WATER ENVIRONMENT IMPROVEMENT PROJECT
IN THE SOCIALIST REPUBLIC OF VIET NAM

PACKAGE E
WASTEWATER TREATMENT PLANT
COMPOST FACILITY TRUCK SCALE
PLAN AND CROSS SECTION

SCALE 1:50

JAPAN INTERNATIONAL COOPERATION AGENCY (JICA)

PACIFIC CONSULTANTS INTERNATIONAL

DESIGNED KAWAZU SHINYA	CHECKED KONDO MASAMI
---------------------------	-------------------------

DATE : JUNE 2001 DWG. PE - WWTP - 485

