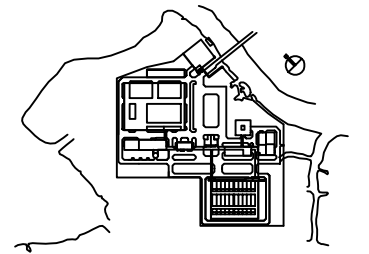


FIRST FLOOR PLAN



NO.	DATE	DESCRIPTIONS	BY	APRO.

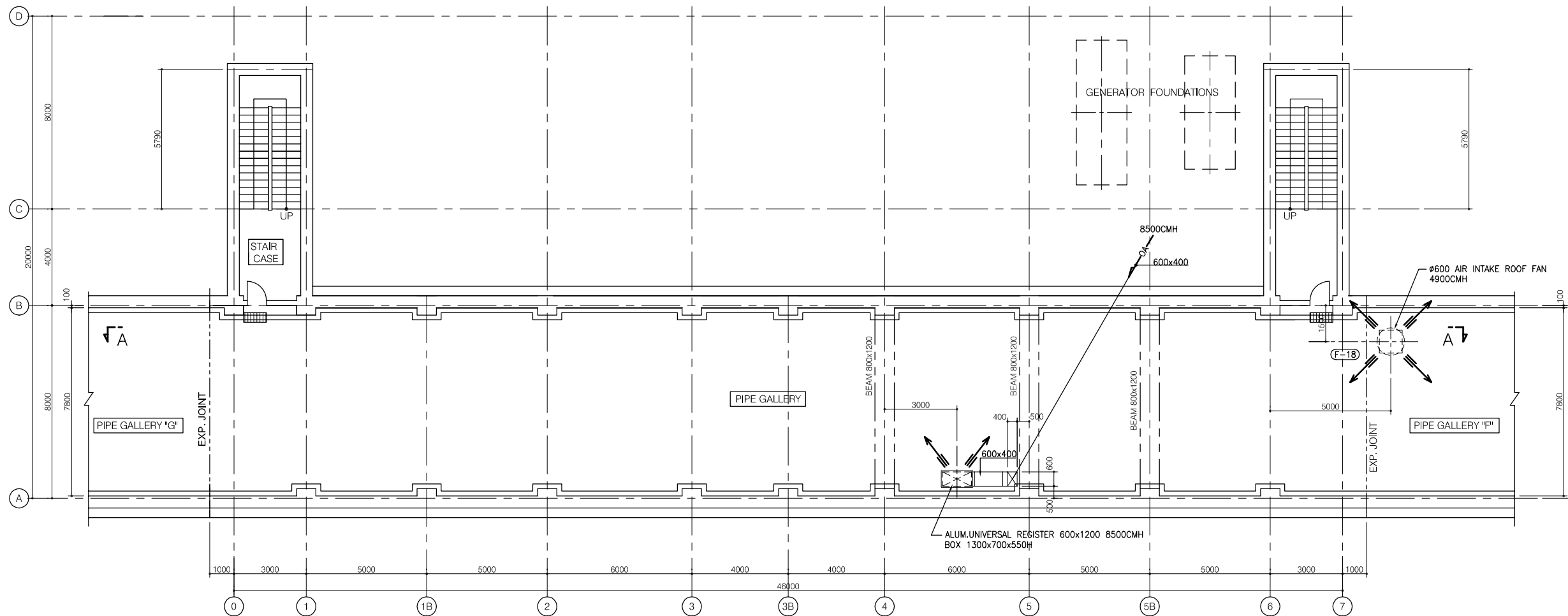
REVISIONS

PROJECT MANAGEMENT UNIT FOR
HO CHI MINH CITY
WATER ENVIRONMENT IMPROVEMENT

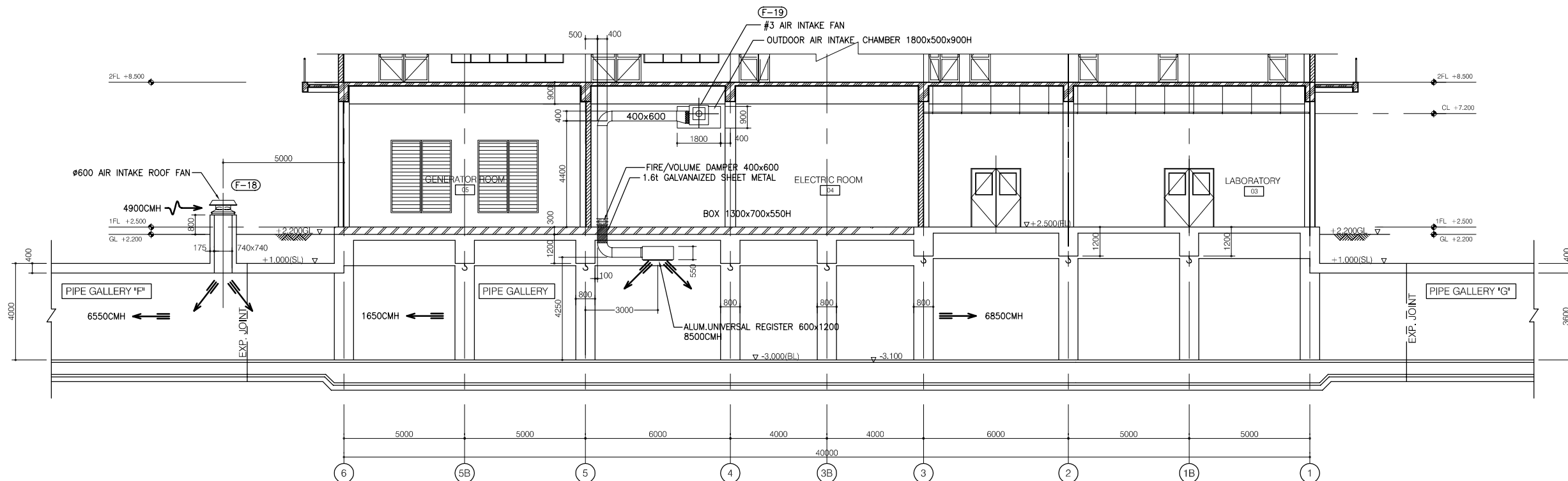
THE DETAILED DESIGN STUDY ON HO CHI MINH CITY
WATER ENVIRONMENT IMPROVEMENT PROJECT
IN THE SOCIALIST REPUBLIC OF VIET NAM

PACKAGE E
WASTEWATER TREATMENT PLANT
VENTILATION FACILITY PLAN (15/27)
MAIN BUILDING PLAN

SCALE : 1/100	
JAPAN INTERNATIONAL COOPERATION AGENCY (JICA)	
PACIFIC CONSULTANTS INTERNATIONAL	
DESIGNED KIKUTA HIROSHI	CHECKED KONDO MASAMI
DATE : JUNE 2001	DWG. No. PE-WWTP-307-15

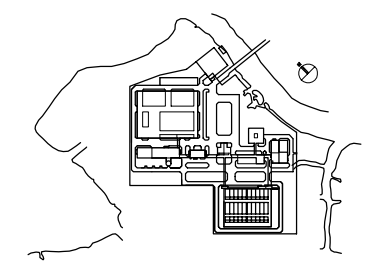
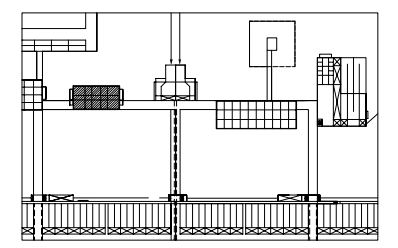


BASEMENT FLOOR PLAN



A - A SECTION

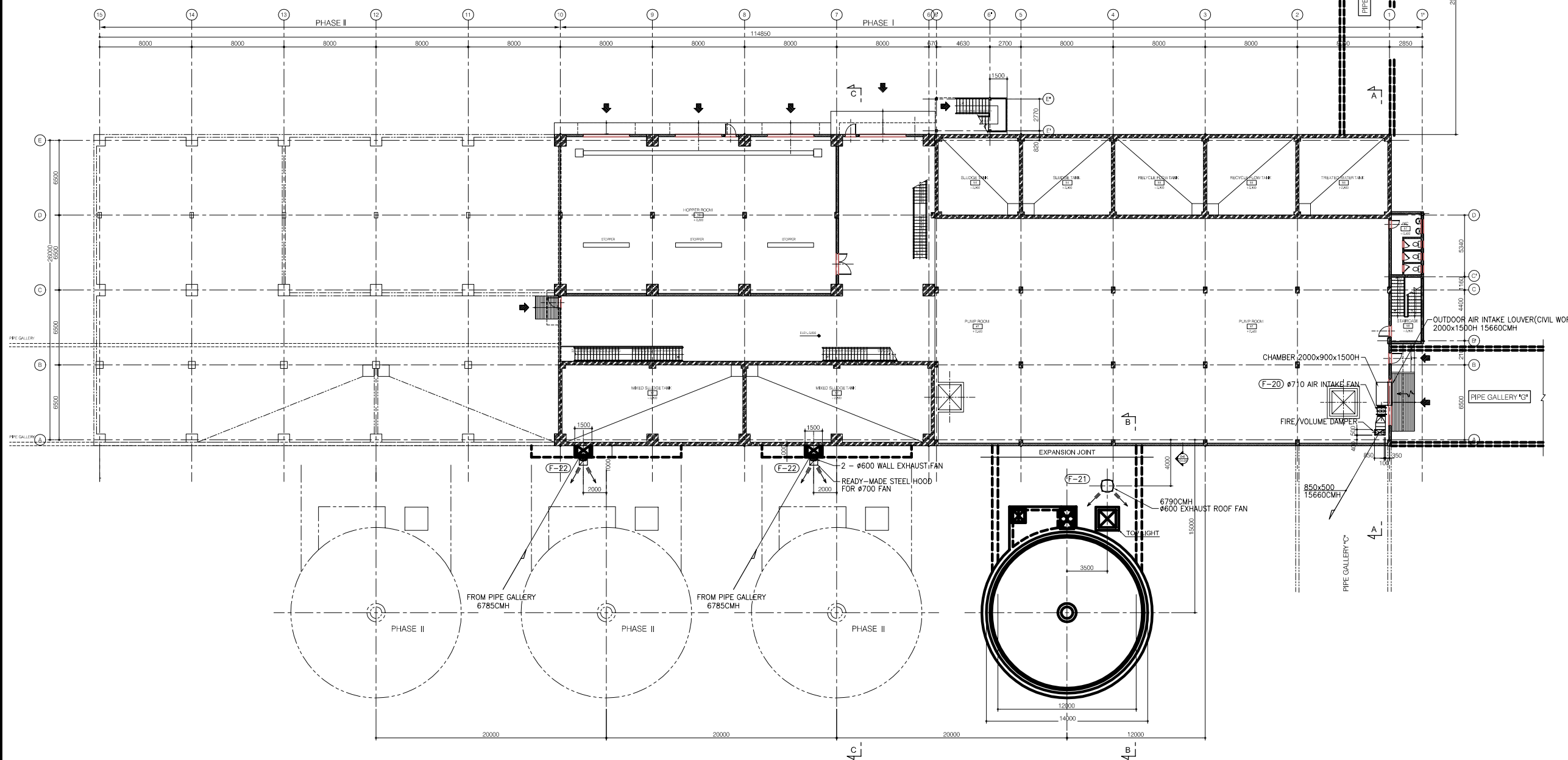
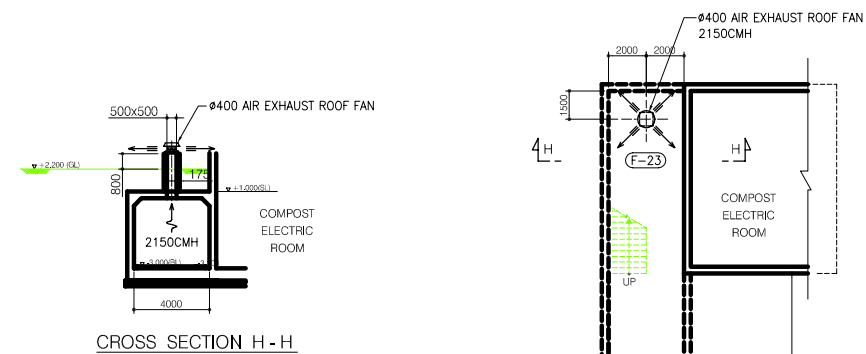
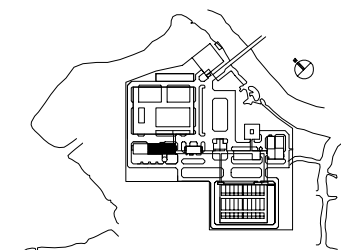
KEY PLAN



NO.	DATE	DESCRIPTIONS	BY	APRO.
REVISIONS				
PROJECT MANAGEMENT UNIT FOR HO CHI MINH CITY WATER ENVIRONMENT IMPROVEMENT				
THE DETAILED DESIGN STUDY ON HO CHI MINH CITY WATER ENVIRONMENT IMPROVEMENT PROJECT IN THE SOCIALIST REPUBLIC OF VIET NAM				
PACKAGE E WASTEWATER TREATMENT PLANT VENTILATION FACILITY PLAN (16/27) MAIN BUILDING SECTION				
SCALE : 1/100				
JAPAN INTERNATIONAL COOPERATION AGENCY (JICA)				
PACIFIC CONSULTANTS INTERNATIONAL				
DESIGNED KIKUTA HIROSHI		CHECKED KONDO MASAMI		
DATE : JUNE 2001		DWG. No. PE-WWTP-307-16		

LEGEND

- 190mm THK. BRICK WALL, 20THK CEM./SAND RENDERING ON SURFACE / TUONG GACH DAY 190mm, TRAT VUA DAY 20 MOI MAT
- 90mm THK. BRICK WALL, 20THK CEM./SAND RENDERING ON SURFACE / TUONG GACH DAY 90mm, TRAT VUA DAY 20 MOI MAT

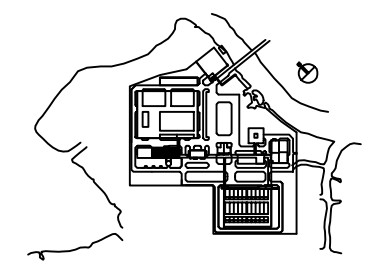
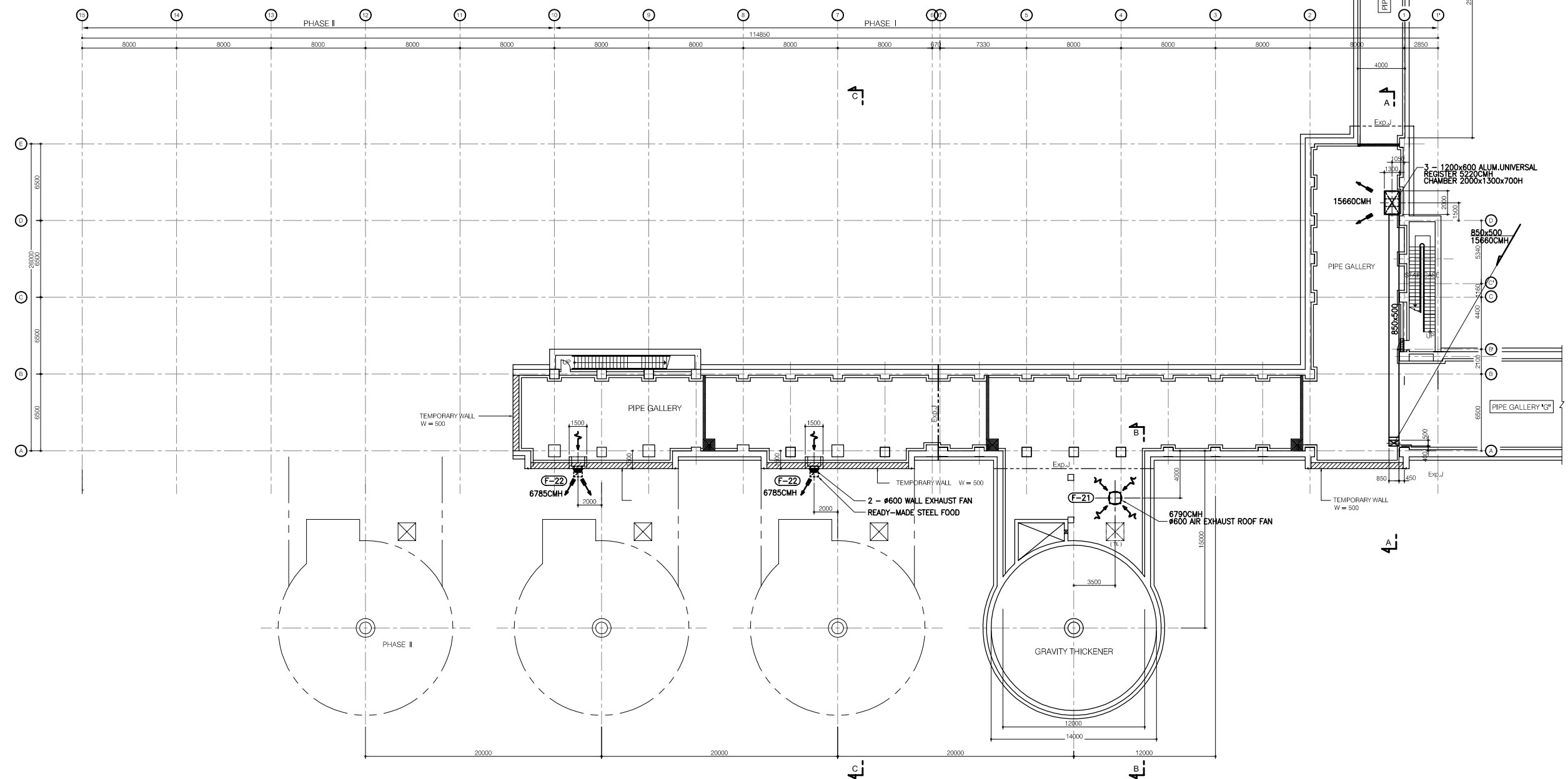
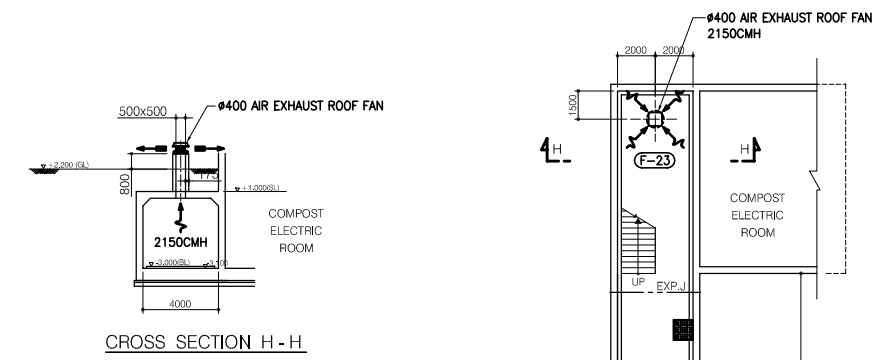


FIRST FLOOR PLAN

NO.	DATE	DESCRIPTIONS	BY	APPRO.
REVISIONS				
PROJECT MANAGEMENT UNIT FOR HO CHI MINH CITY WATER ENVIRONMENT IMPROVEMENT				
THE DETAILED DESIGN STUDY ON HO CHI MINH CITY WATER ENVIRONMENT IMPROVEMENT PROJECT IN THE SOCIALIST REPUBLIC OF VIET NAM				
PACKAGE E WASTEWATER TREATMENT PLANT VENTILATION FACILITY PLAN (17/27) DEWATERING AND CENTRIFUGAL THICKENER BUILDING PLAN (1/2)				
SCALE : 1/200				
JAPAN INTERNATIONAL COOPERATION AGENCY (JICA)				
PACIFIC CONSULTANTS INTERNATIONAL				
DESIGNED KIKUTA HIROSHI		CHECKED KONDO MASAMI		
DATE : JUNE 2001		DWG. No. PE-WWTP-307-17		

LEGEND

- 190mm THK. BRICK WALL, 20THK CEM./SAND RENDERING ON SURFACE / TUONG GACH DAY 190mm, TRAT VUA DAY 20 MOI MAT
- 90mm THK. BRICK WALL, 20THK CEM./SAND RENDERING ON SURFACE / TUONG GACH DAY 90mm, TRAT VUA DAY 20 MOI MAT



NO.	DATE	DESCRIPTIONS	BY	APRO.

REVISIONS

PROJECT MANAGEMENT UNIT FOR
HO CHI MINH CITY
WATER ENVIRONMENT IMPROVEMENT

THE DETAILED DESIGN STUDY ON HO CHI MINH CITY
WATER ENVIRONMENT IMPROVEMENT PROJECT
IN THE SOCIALIST REPUBLIC OF VIET NAM

PACKAGE E
WASTEWATER TREATMENT PLANT
VENTILATION FACILITY PLAN (18/27)
DEWATERING AND CENTRIFUGAL
THICKENER BUILDING PLAN (2/2)

SCALE : 1/200

JAPAN INTERNATIONAL COOPERATION AGENCY (JICA)

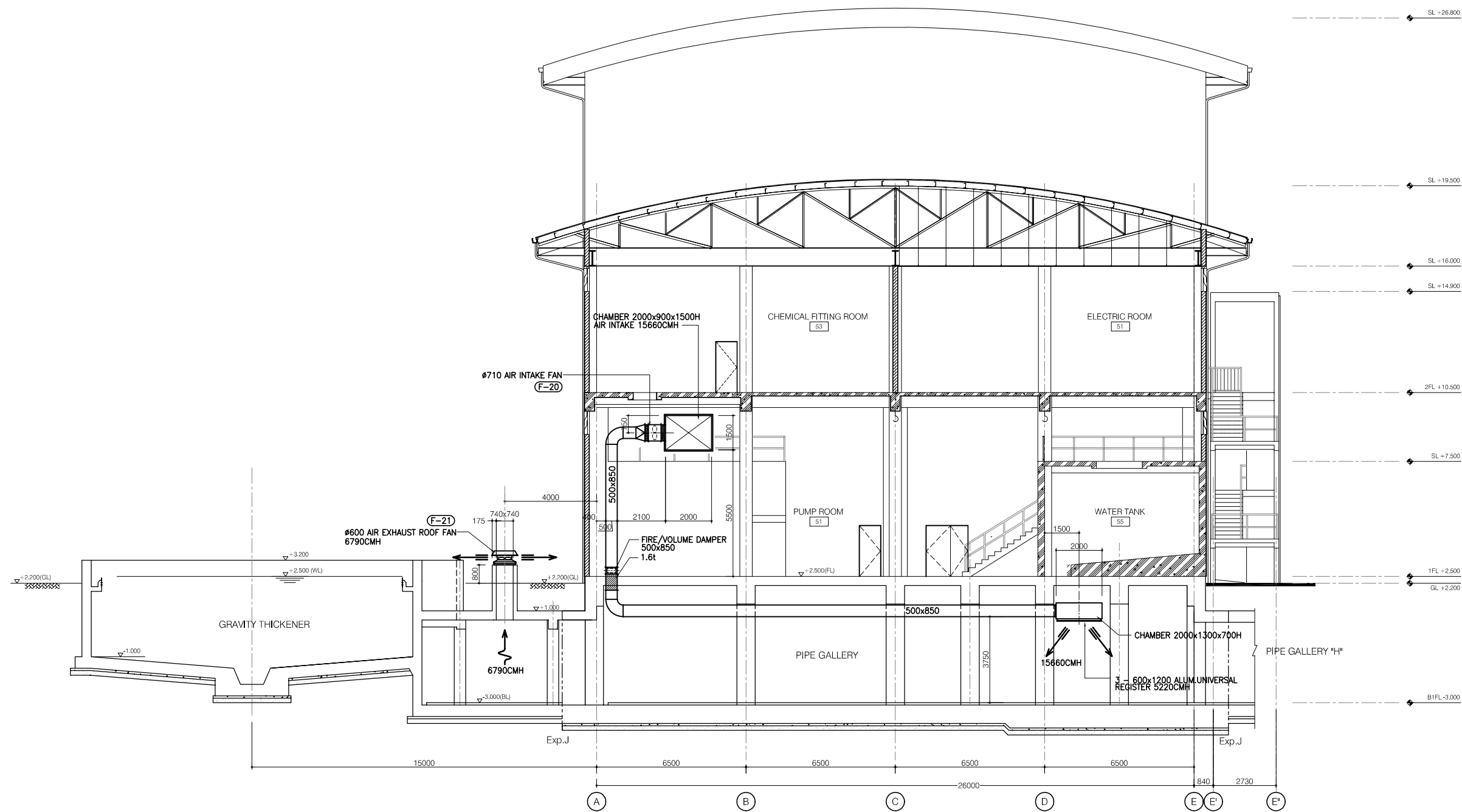
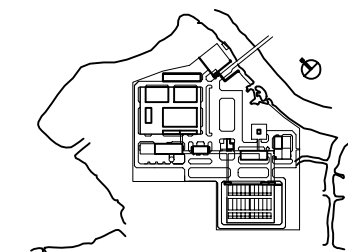
PACIFIC CONSULTANTS INTERNATIONAL

DESIGNED KIKUTA HIROSHI	CHECKED KONDO MASAMI
----------------------------	-------------------------

DATE : JUNE 2001 DWG. No. PE-WWTP-307-18

LEGEND

- 190mm THK. BRICK WALL, 20THK CEM./SAND RENDERING ON SURFACE / TUONG GACH DAY 190mm, TRAT VUA DAY 20 MOI MAT
- 90mm THK. BRICK WALL, 20THK CEM./SAND RENDERING ON SURFACE / TUONG GACH DAY 90mm, TRAT VUA DAY 20 MOI MAT



CROSS SECTION B-B

CROSS SECTION A-A

NO.	DATE	DESCRIPTIONS	BY	APRO.
REVISIONS				
PROJECT MANAGEMENT UNIT FOR HO CHI MINH CITY WATER ENVIRONMENT IMPROVEMENT				
THE DETAILED DESIGN STUDY ON HO CHI MINH CITY WATER ENVIRONMENT IMPROVEMENT PROJECT IN THE SOCIALIST REPUBLIC OF VIET NAM				
PACKAGE E WASTEWATER TREATMENT PLANT VENTILATION FACILITY (19/27) DEWATERING AND CENTRIFUGAL THICKENER BUILDING SECTION (1/2)				
SCALE : 1/100				
JAPAN INTERNATIONAL COOPERATION AGENCY (JICA)				
PACIFIC CONSULTANTS INTERNATIONAL				
DESIGNED KIKUTA HIROSHI		CHECKED KONDO MASAMI		
DATE : JUNE 2001		DWG. No. PE-WWTP-307-19		

NO. DATE DESCRIPTIONS BY APRO.

REVISIONS

PROJECT MANAGEMENT UNIT FOR HO CHI MINH CITY WATER ENVIRONMENT IMPROVEMENT

THE DETAILED DESIGN STUDY ON HO CHI MINH CITY WATER ENVIRONMENT IMPROVEMENT PROJECT IN THE SOCIALIST REPUBLIC OF VIET NAM

PACKAGE E
WASTEWATER TREATMENT PLANT
VENTILATION FACILITY (19/27)
DEWATERING AND CENTRIFUGAL THICKENER BUILDING SECTION (1/2)

SCALE : 1/100

JAPAN INTERNATIONAL COOPERATION AGENCY (JICA)

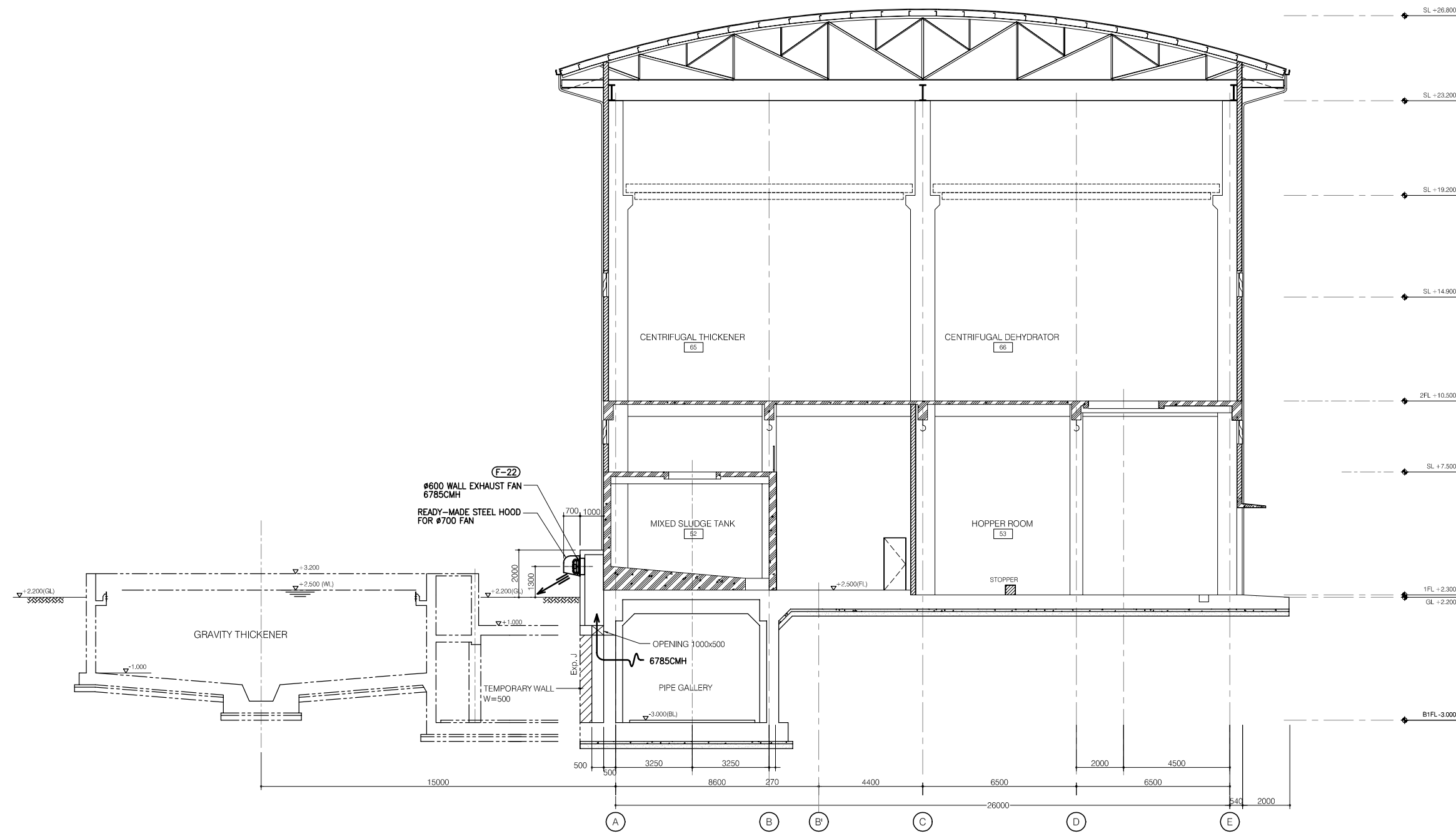
PACIFIC CONSULTANTS INTERNATIONAL

DESIGNED
KIKUTA HIROSHI

CHECKED
KONDO MASAMI

DATE : JUNE 2001

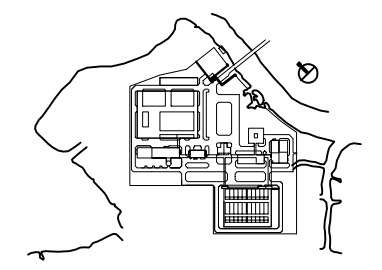
DWG. No. PE-WWTP-307-19



CROSS SECTION C-C

LEGEND

- 190mm THK. BRICK WALL, 20THK CEM./SAND RENDERING ON SURFACE / TUONG GACH DAY 190mm, TRAT VUA DAY 20 MOI MAT
- 90mm THK. BRICK WALL, 20THK CEM./SAND RENDERING ON SURFACE / TUONG GACH DAY 90mm, TRAT VUA DAY 20 MOI MAT



NO.	DATE	DESCRIPTIONS	BY	APRO.

REVISIONS

PROJECT MANAGEMENT UNIT FOR
HO CHI MINH CITY
WATER ENVIRONMENT IMPROVEMENT

THE DETAILED DESIGN STUDY ON HO CHI MINH CITY
WATER ENVIRONMENT IMPROVEMENT PROJECT
IN THE SOCIALIST REPUBLIC OF VIET NAM

PACKAGE E
WASTEWATER TREATMENT PLANT
VENTILATION FACILITY SECTION (20/27)
DEWATERING AND CENTRIFUGAL
THICKENER BUILDING SECTION (2/2)

SCALE : 1/100

JICA JAPAN INTERNATIONAL COOPERATION AGENCY (JICA)

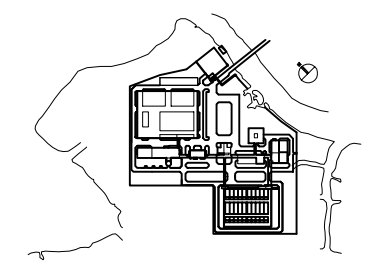
PACIFIC CONSULTANTS INTERNATIONAL

DESIGNED KIKUTA HIROSHI	CHECKED KONDO MASAMI
----------------------------	-------------------------

DATE : JUNE 2001 DWG. No. PE-WWTP-307-20

LEGEND

- 190mm THK. BRICK WALL, 20THK CEM./SAND RENDERING ON SURFACE / TUONG GACH DAY 190mm, TRAT VUA DAY 20 MOI MAT
- 90mm THK. BRICK WALL, 20THK CEM./SAND RENDERING ON SURFACE / TUONG GACH DAY 90mm, TRAT VUA DAY 20 MOI MAT



NO.	DATE	DESCRIPTIONS	BY	APRO.
REVISIONS				

PROJECT MANAGEMENT UNIT FOR
HO CHI MINH CITY
WATER ENVIRONMENT IMPROVEMENT

THE DETAILED DESIGN STUDY ON HO CHI MINH CITY
WATER ENVIRONMENT IMPROVEMENT PROJECT
IN THE SOCIALIST REPUBLIC OF VIET NAM

PACKAGE E
WASTEWATER TREATMENT PLANT
VENTILATION FACILITY PLAN (21/27)
COMPOST PLANT
BUILDING PLAN (1/2)

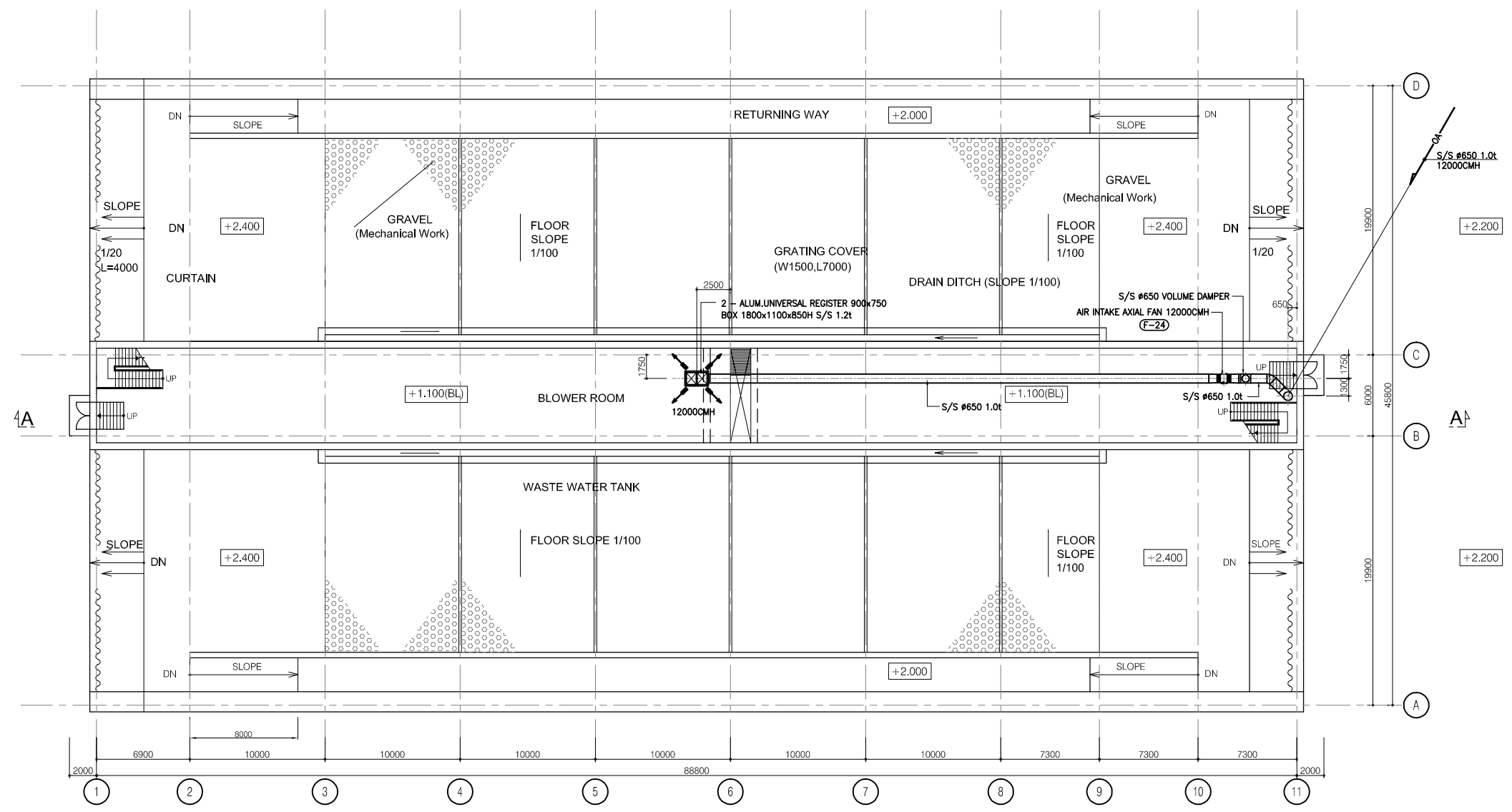
SCALE : 1/200

JAPAN INTERNATIONAL COOPERATION AGENCY (JICA)

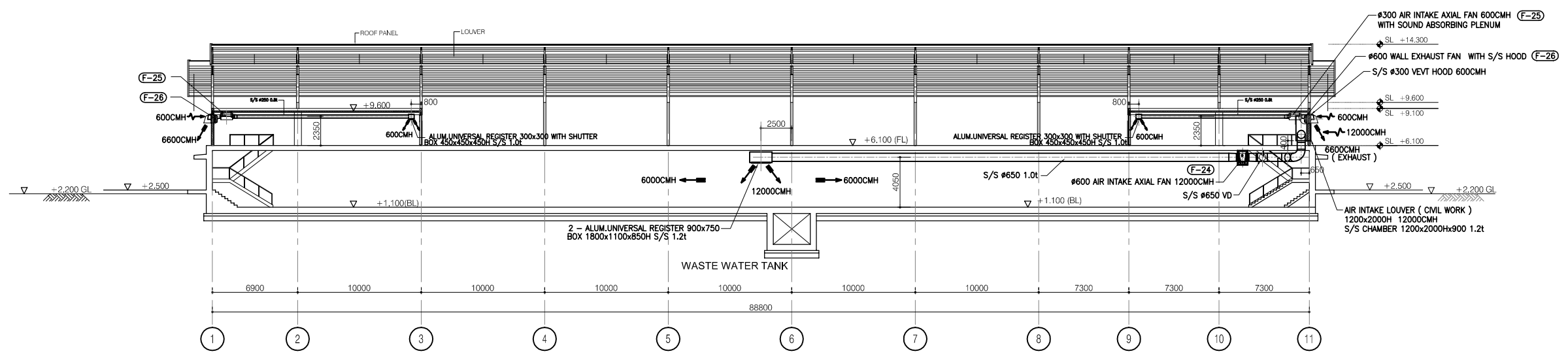
PACIFIC CONSULTANTS INTERNATIONAL

DESIGNED KIKUTA HIROSHI	CHECKED KONDO MASAMI
----------------------------	-------------------------

DATE : JUNE 2001 DWG. No. PE-WWTP-307-21



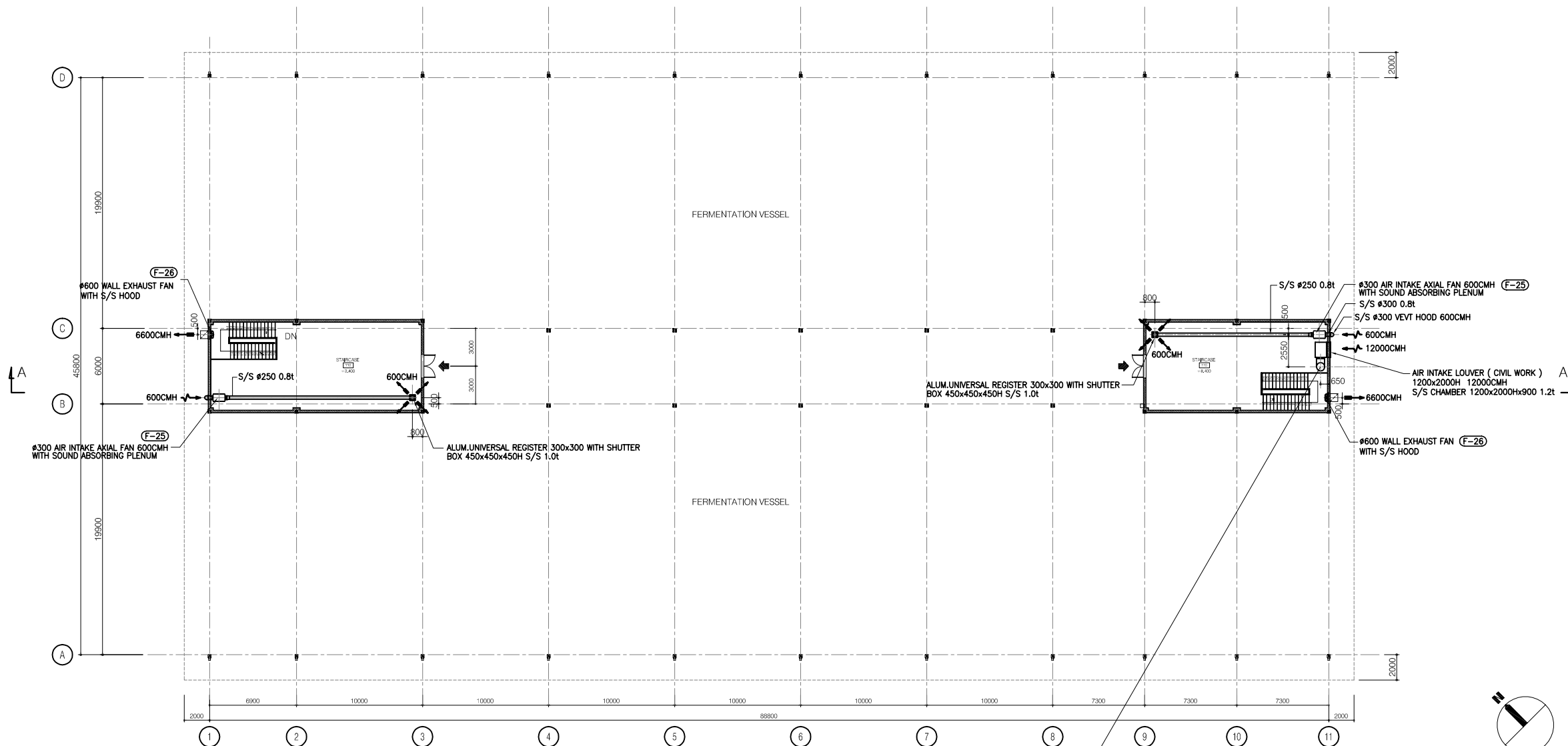
FIRST FLOOR PLAN



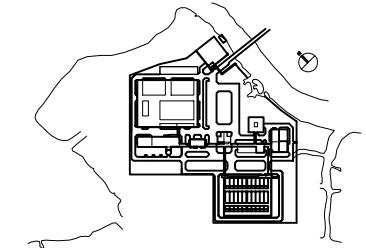
SECTION A - A

LEGEND

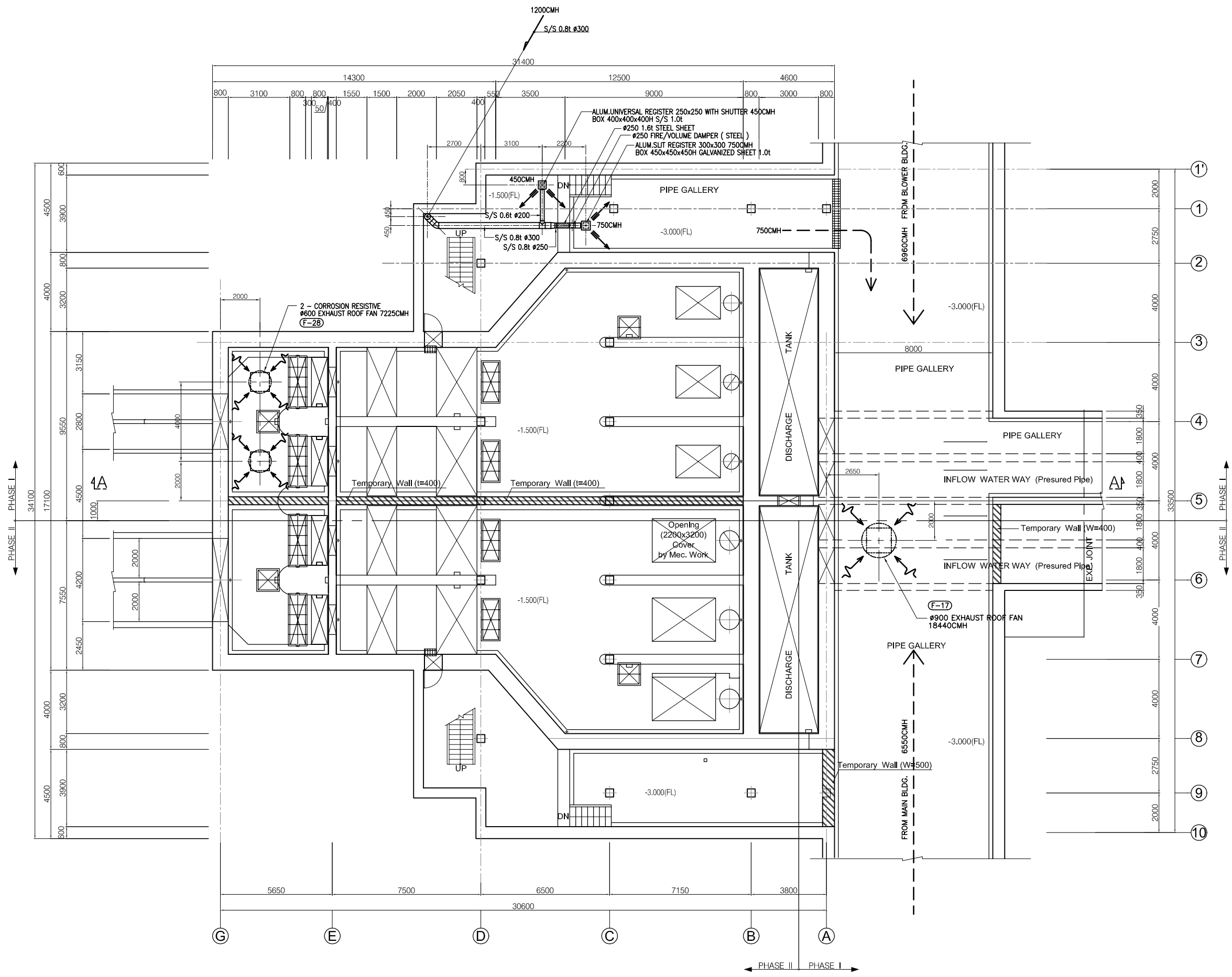
- 190mm THK. BRICK WALL, 20THK CEM./SAND RENDERING ON SURFACE / TUONG GACH DAY 190mm, TRAT VUA DAY 20 MOI MAT
- 90mm THK. BRICK WALL, 20THK CEM./SAND RENDERING ON SURFACE / TUONG GACH DAY 90mm, TRAT VUA DAY 20 MOI MAT



2nd FLOOR PLAN 1/200

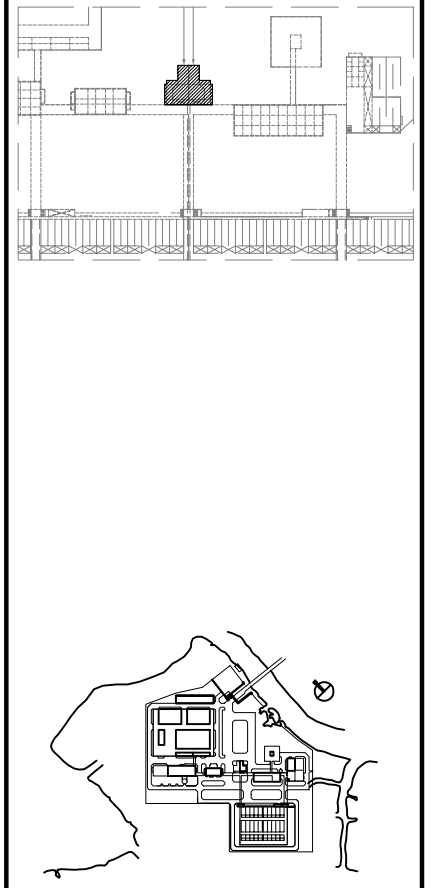


NO.	DATE	DESCRIPTIONS	BY	APRO.
REVISIONS				
PROJECT MANAGEMENT UNIT FOR HO CHI MINH CITY WATER ENVIRONMENT IMPROVEMENT				
THE DETAILED DESIGN STUDY ON HO CHI MINH CITY WATER ENVIRONMENT IMPROVEMENT PROJECT IN THE SOCIALIST REPUBLIC OF VIET NAM				
PACKAGE E WASTEWATER TREATMENT PLANT VENTILATION FACILITY PLAN (22/27) COMPOST PLANT BUILDING PLAN (2/2)				
SCALE : 1/200				
JAPAN INTERNATIONAL COOPERATION AGENCY (JICA)				
PACIFIC CONSULTANTS INTERNATIONAL				
DESIGNED KIKUTA HIROSHI		CHECKED KONDO MASAMI		
DATE : JUNE 2001		DWG. No. PE-WWTP-307-22		



BASEMENT FLOOR PLAN

KEY PLAN



NO.	DATE	DESCRIPTIONS	BY	APRO.
-----	------	--------------	----	-------

REVISIONS

PROJECT MANAGEMENT UNIT FOR
HO CHI MINH CITY
WATER ENVIRONMENT IMPROVEMENT

THE DETAILED DESIGN STUDY ON HO CHI MINH CITY
WATER ENVIRONMENT IMPROVEMENT PROJECT
IN THE SOCIALIST REPUBLIC OF VIET NAM

PACKAGE E
WASTEWATER TREATMENT PLANT
VENTILATION FACILITY PLAN (24/27)
LIFT PUMPING STATION
PLAN (2/2)

SCALE : 1/100

JICA JAPAN INTERNATIONAL COOPERATION AGENCY (JICA)

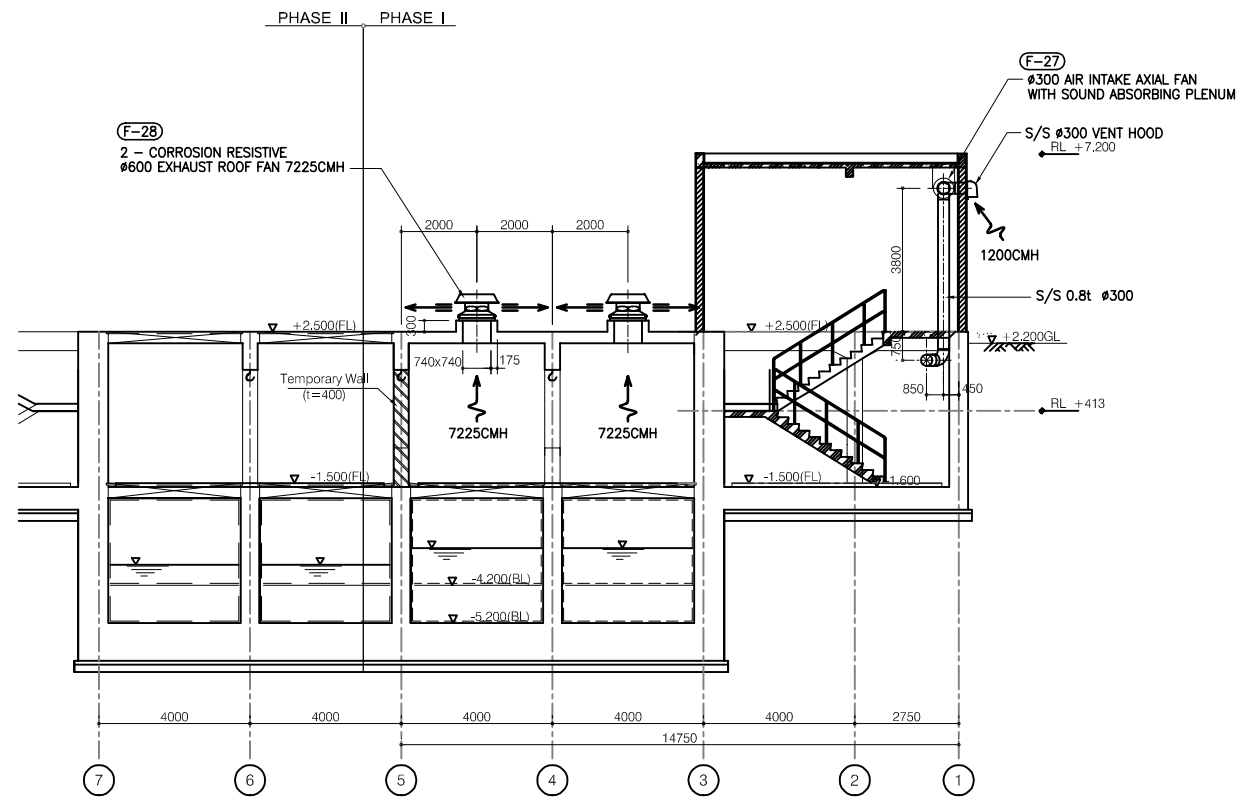
PACIFIC CONSULTANTS INTERNATIONAL

DESIGNED
KIKUTA HIROSHI

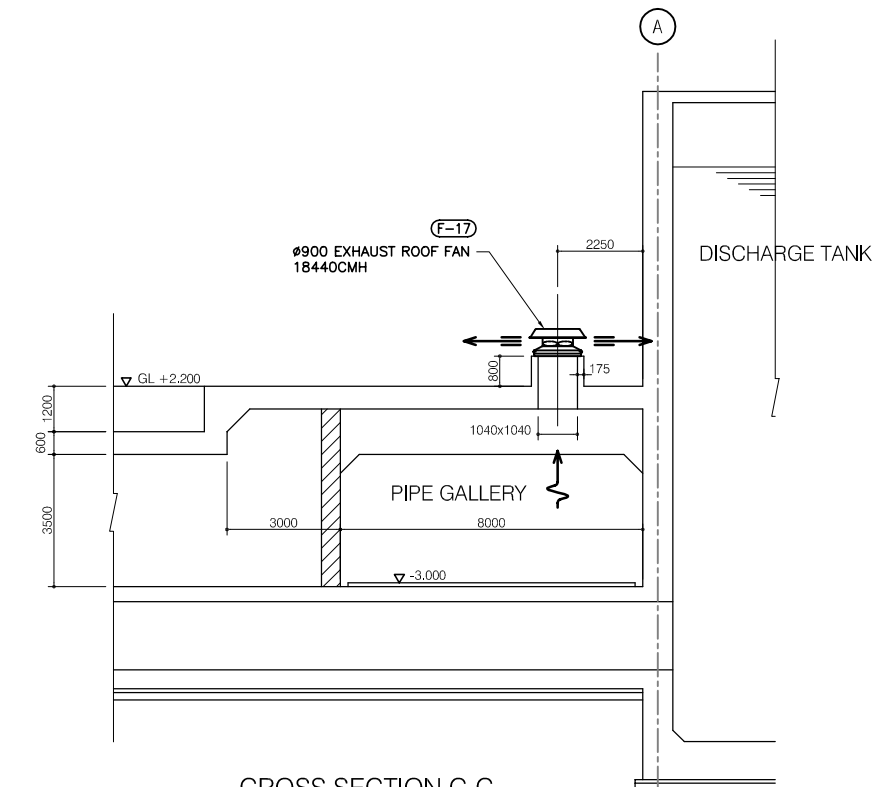
CHECKED
KONDO MASAMI

DATE : JUNE 2001

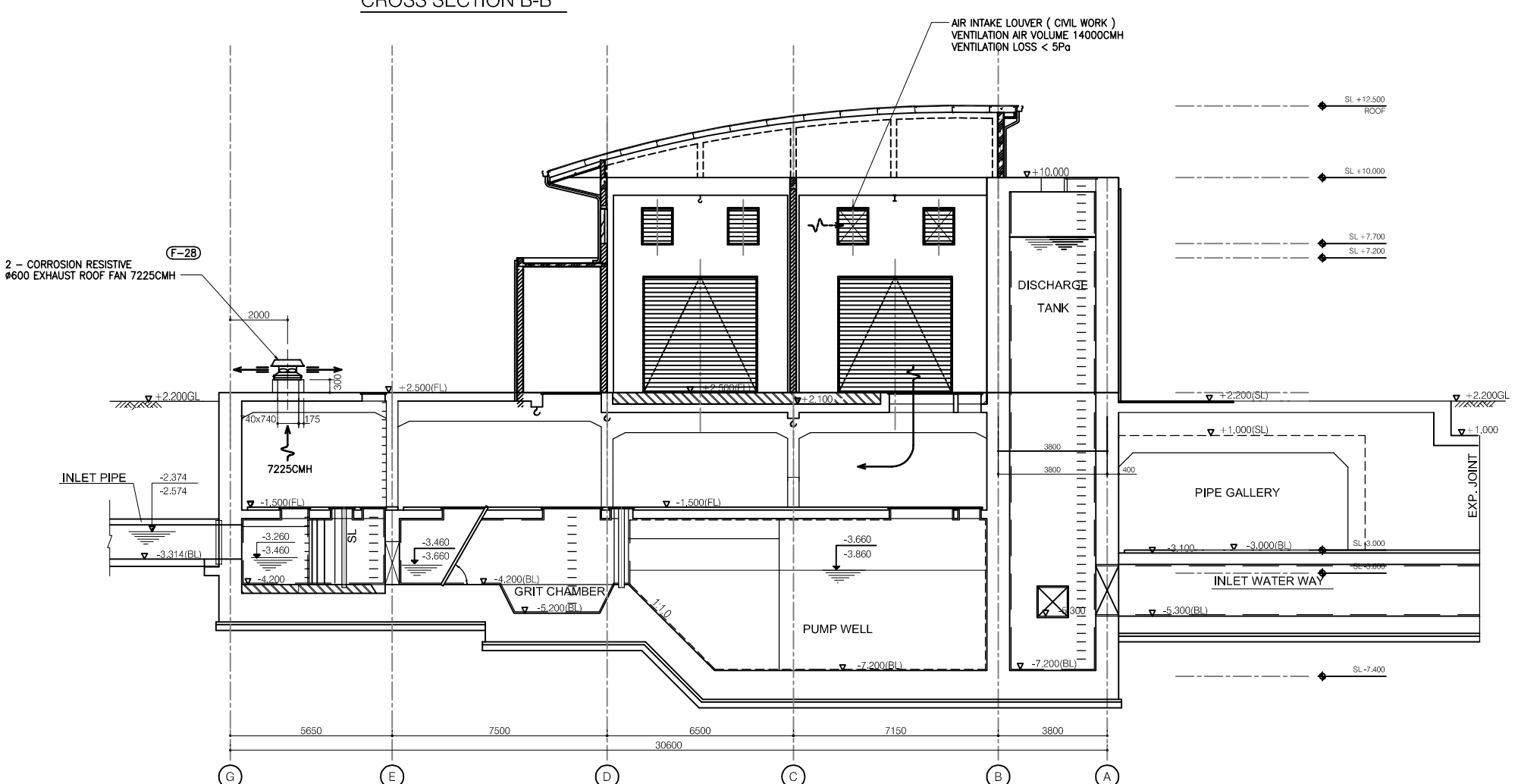
DWG. No. PE-WWTP-307-24



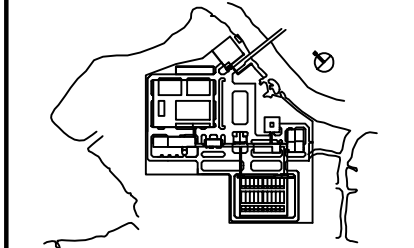
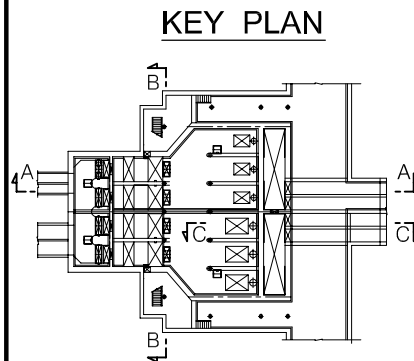
CROSS SECTION B-B



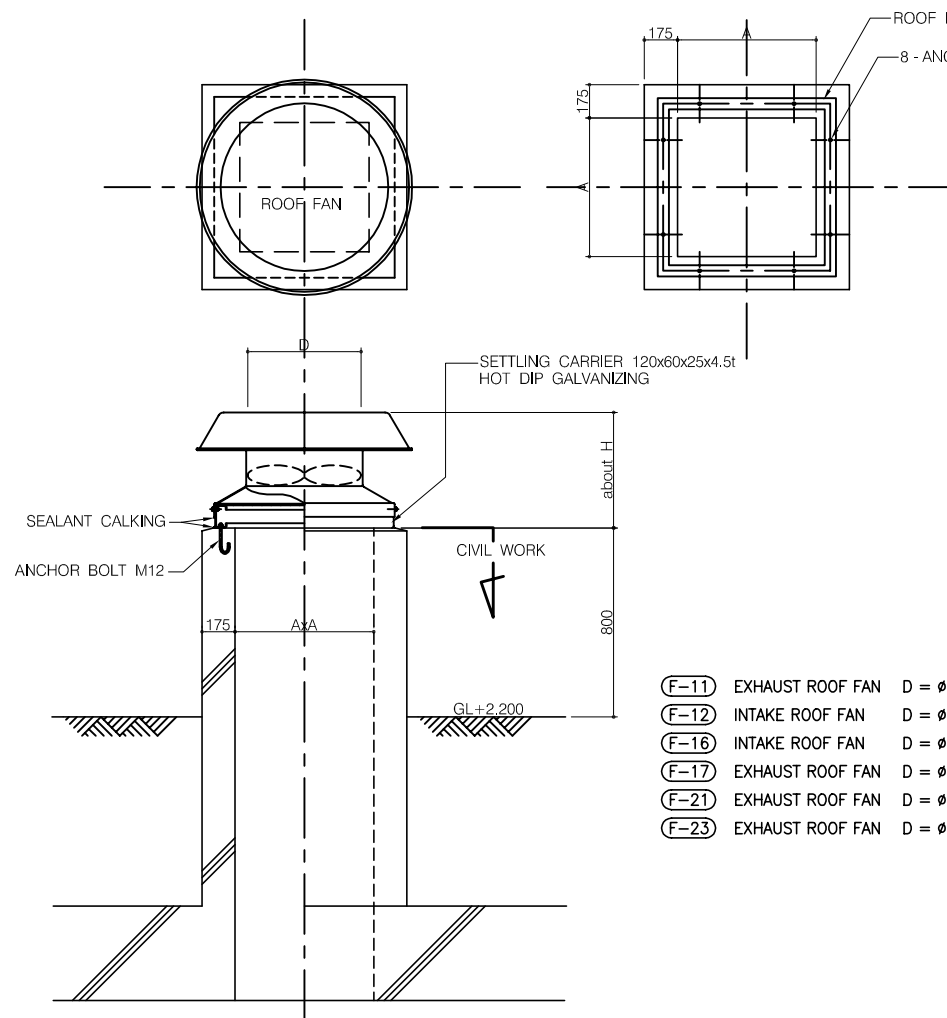
CROSS SECTION C-C



CROSS SECTION A-A

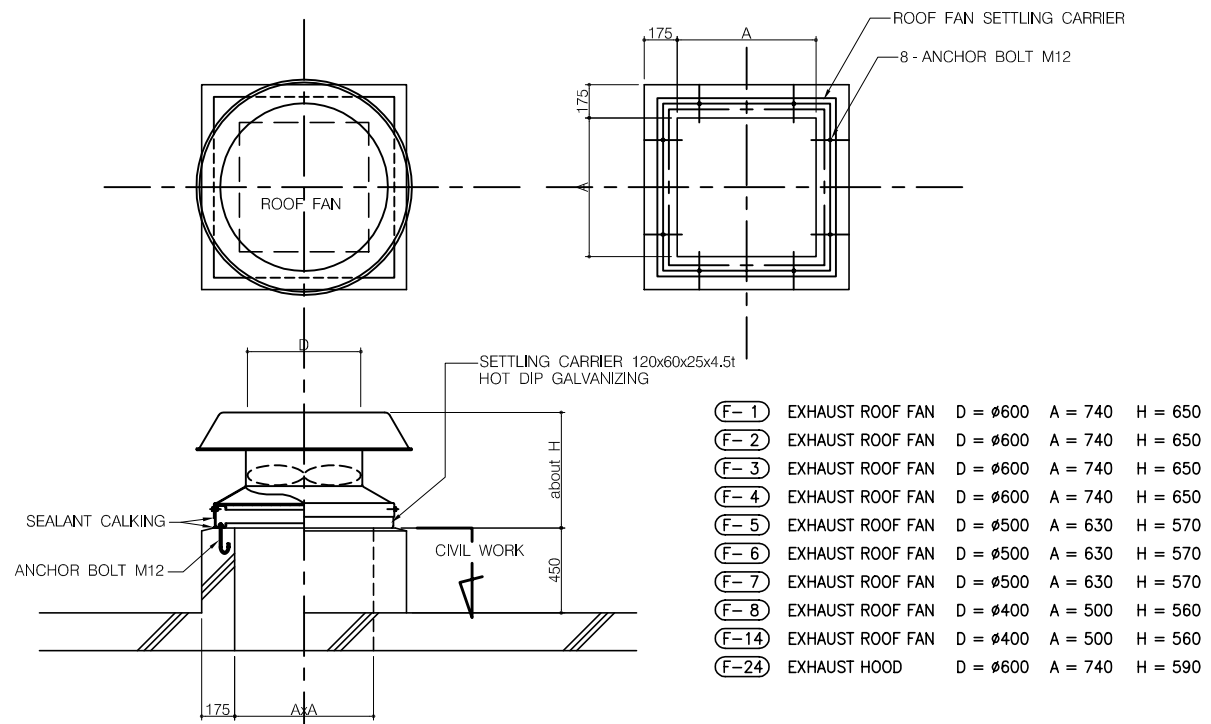


NO.	DATE	DESCRIPTIONS	BY	APRO.
REVISIONS				
PROJECT MANAGEMENT UNIT FOR HO CHI MINH CITY WATER ENVIRONMENT IMPROVEMENT				
THE DETAILED DESIGN STUDY ON HO CHI MINH CITY WATER ENVIRONMENT IMPROVEMENT PROJECT IN THE SOCIALIST REPUBLIC OF VIET NAM				
PACKAGE E WASTEWATER TREATMENT PLANT VENTILATION FACILITY SECTION (25/27) LIFT PUMPING STATION SECTION				
SCALE : 1/100				
JAPAN INTERNATIONAL COOPERATION AGENCY (JICA)				
PACIFIC CONSULTANTS INTERNATIONAL				
DESIGNED KIKUTA HIROSHI			CHECKED KONDO MASAMI	
DATE : JUNE 2001		DWG. No. PE-WWTP-307-25		



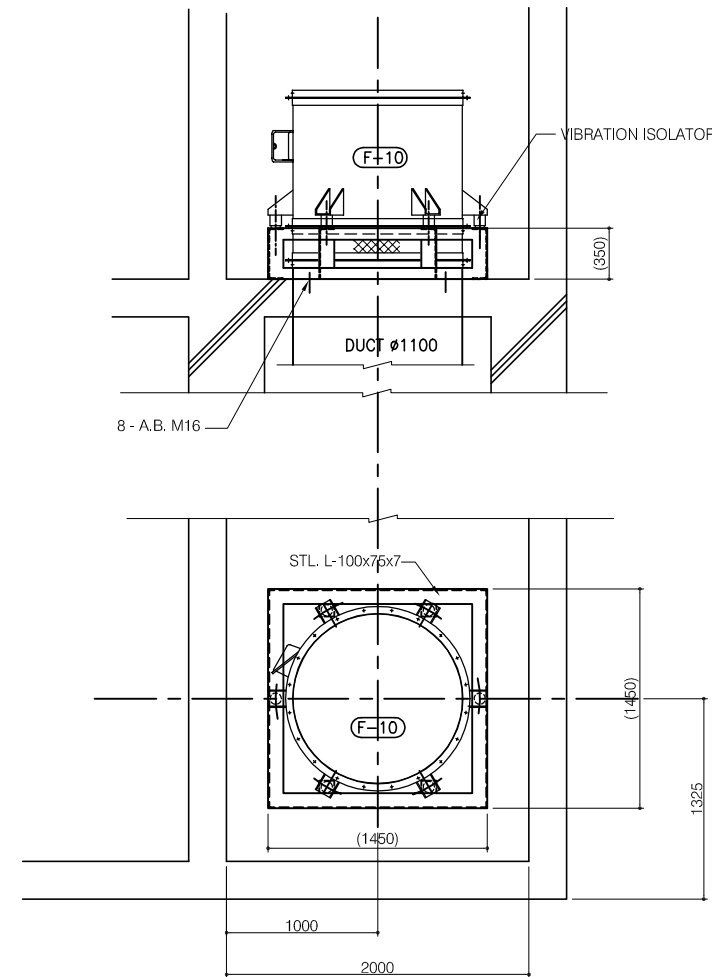
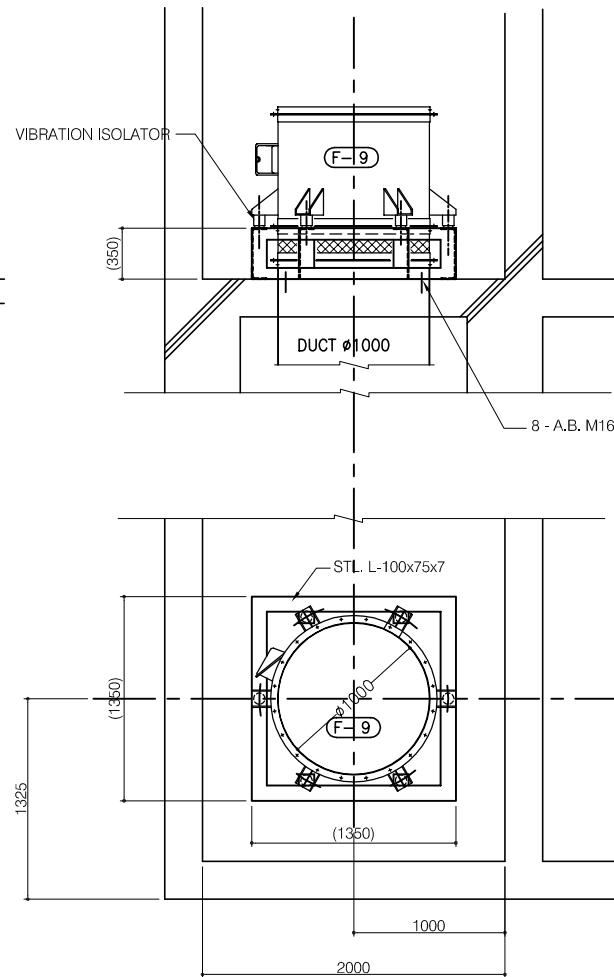
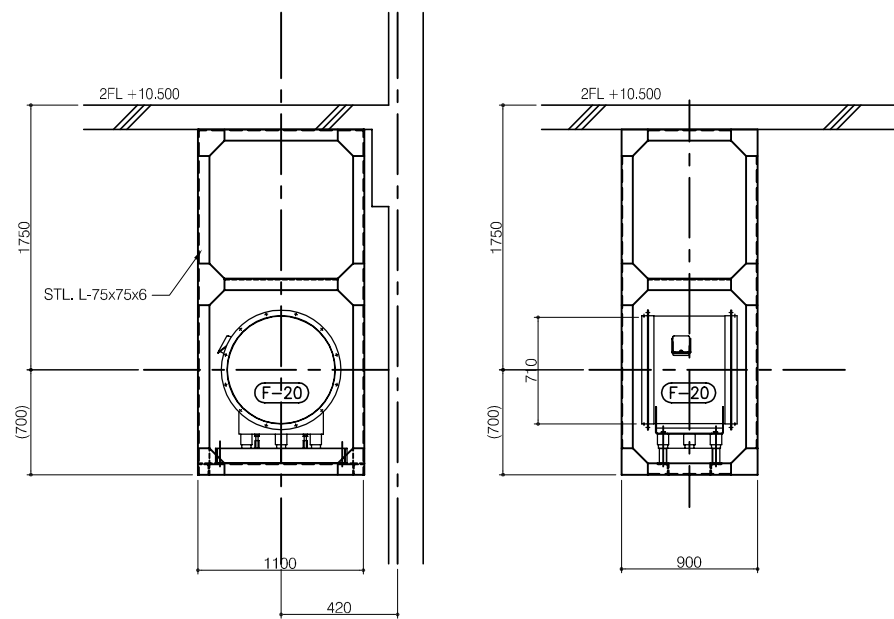
PIPE GALLERY

- (F-11) EXHAUST ROOF FAN D = ϕ 600 A = 740 H = 590
- (F-12) INTAKE ROOF FAN D = ϕ 600 A = 740 H = 590
- (F-16) INTAKE ROOF FAN D = ϕ 750 A = 920 H = 790
- (F-17) EXHAUST ROOF FAN D = ϕ 900 A = 1040 H = 690
- (F-21) EXHAUST ROOF FAN D = ϕ 600 A = 740 H = 650
- (F-23) EXHAUST ROOF FAN D = ϕ 400 A = 500 H = 560

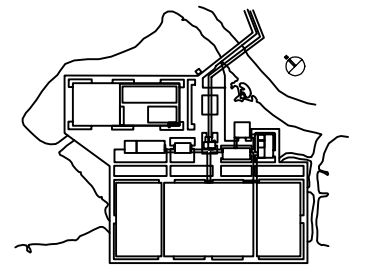


PIPE GALLERY

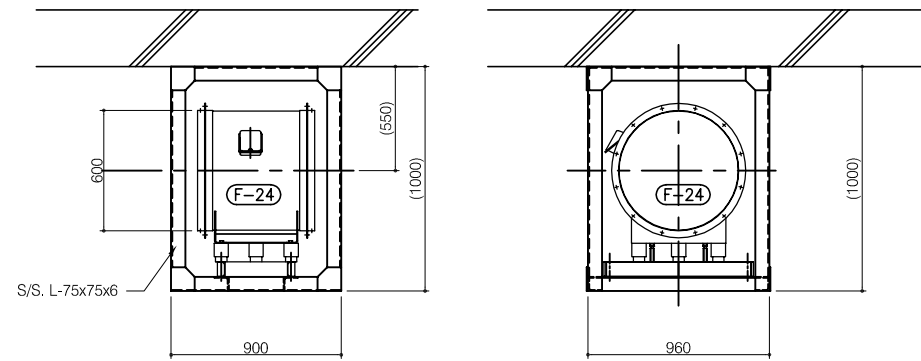
- (F-1) EXHAUST ROOF FAN D = ϕ 600 A = 740 H = 650
- (F-2) EXHAUST ROOF FAN D = ϕ 600 A = 740 H = 650
- (F-3) EXHAUST ROOF FAN D = ϕ 600 A = 740 H = 650
- (F-4) EXHAUST ROOF FAN D = ϕ 600 A = 740 H = 650
- (F-5) EXHAUST ROOF FAN D = ϕ 500 A = 630 H = 570
- (F-6) EXHAUST ROOF FAN D = ϕ 500 A = 630 H = 570
- (F-7) EXHAUST ROOF FAN D = ϕ 500 A = 630 H = 570
- (F-8) EXHAUST ROOF FAN D = ϕ 400 A = 500 H = 560
- (F-14) EXHAUST ROOF FAN D = ϕ 400 A = 500 H = 560
- (F-24) EXHAUST HOOD D = ϕ 600 A = 740 H = 590



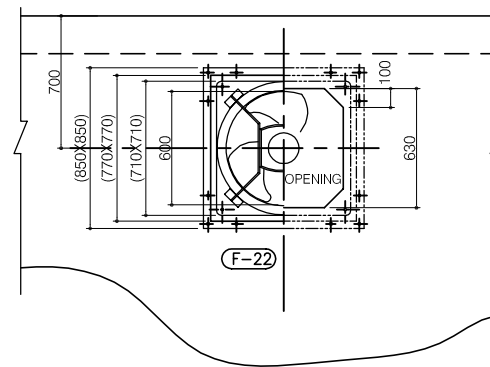
LEGEND



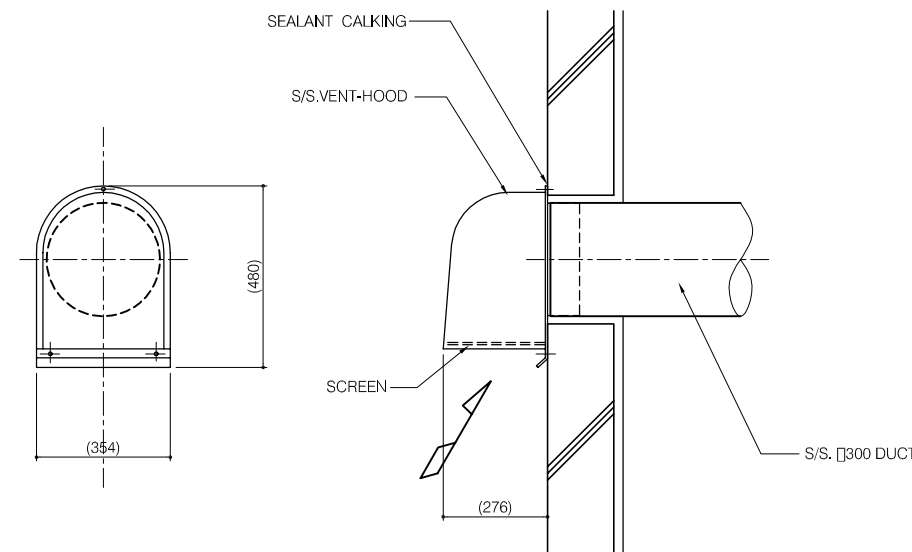
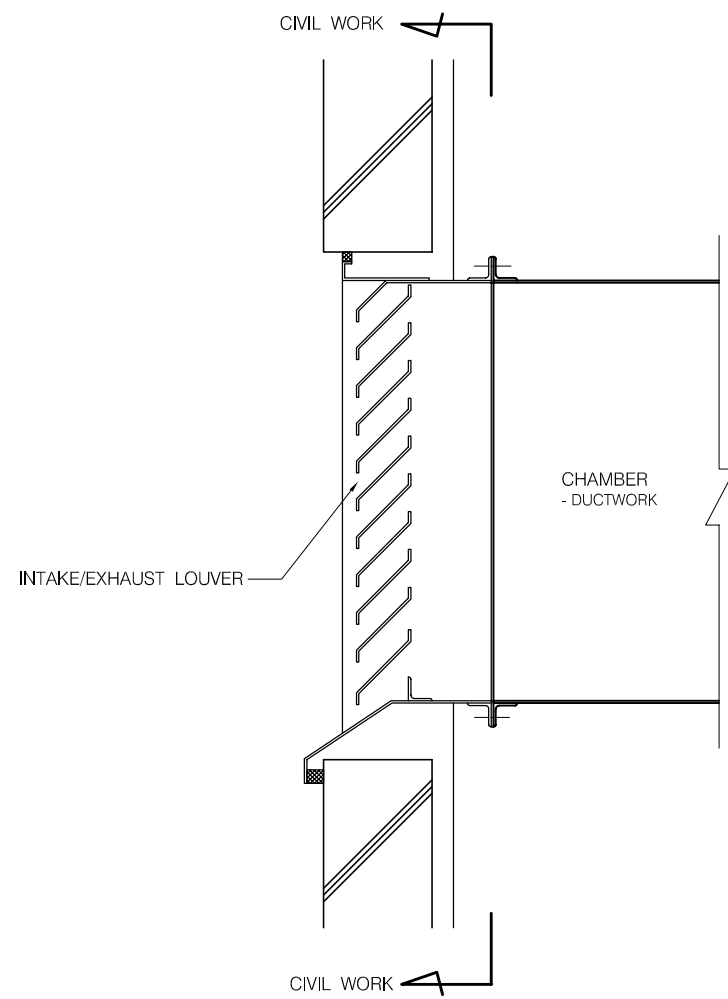
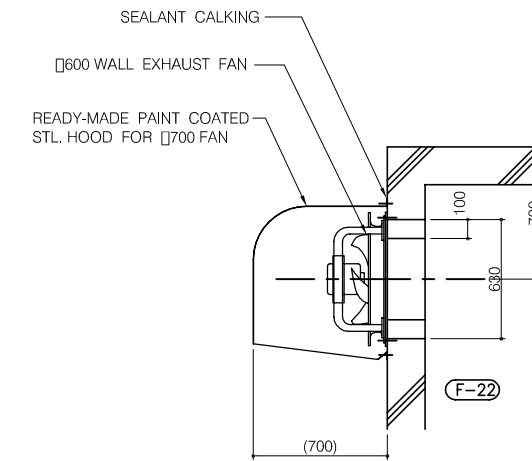
NO.	DATE	DESCRIPTIONS	BY	APRO.
REVISIONS				
PROJECT MANAGEMENT UNIT FOR HO CHI MINH CITY WATER ENVIRONMENT IMPROVEMENT				
THE DETAILED DESIGN STUDY ON HO CHI MINH CITY WATER ENVIRONMENT IMPROVEMENT PROJECT IN THE SOCIALIST REPUBLIC OF VIET NAM				
PACKAGE E WASTEWATER TREATMENT PLANT VENTILATION FACILITY (26/27) MISCELLANEOUS DETAIL (1/2)				
SCALE : 1/NOT				
JAPAN INTERNATIONAL COOPERATION AGENCY (JICA)				
PACIFIC CONSULTANTS INTERNATIONAL				
DESIGNED KIKUTA HIROSHI		CHECKED KONDO MASAMI		
DATE : JUNE 2001		DWG. No. PE - WWTP - 307 - 26		



COMPOST PLANT BLDG.

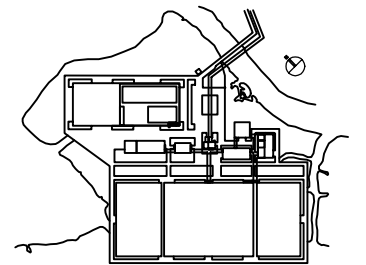


DEWATERING & CENTRIFUGAL THICKENER BLDG.



COMPOST PLANT BLDG. / LIFT PUMPING STATION

LEGEND



NO.	DATE	DESCRIPTIONS	BY	APRO.

REVISIONS

PROJECT MANAGEMENT UNIT FOR
HO CHI MINH CITY
WATER ENVIRONMENT IMPROVEMENT

THE DETAILED DESIGN STUDY ON HO CHI MINH CITY
WATER ENVIRONMENT IMPROVEMENT PROJECT
IN THE SOCIALIST REPUBLIC OF VIET NAM

PACKAGE E
WASTEWATER TREATMENT PLANT
VENTILATION FACILITY (27/27)
MISCELLANEOUS DETAIL (2/2)

SCALE : 1/NOT

JAPAN INTERNATIONAL COOPERATION AGENCY (JICA)

PACIFIC CONSULTANTS INTERNATIONAL

DESIGNED KIKUTA HIROSHI	CHECKED KONDO MASAMI
----------------------------	-------------------------

DATE : JUNE 2001 DWG. No. PE - WWTP - 307 - 27