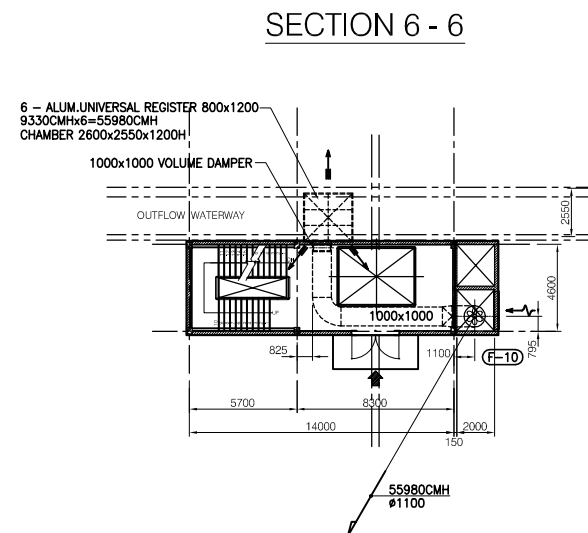
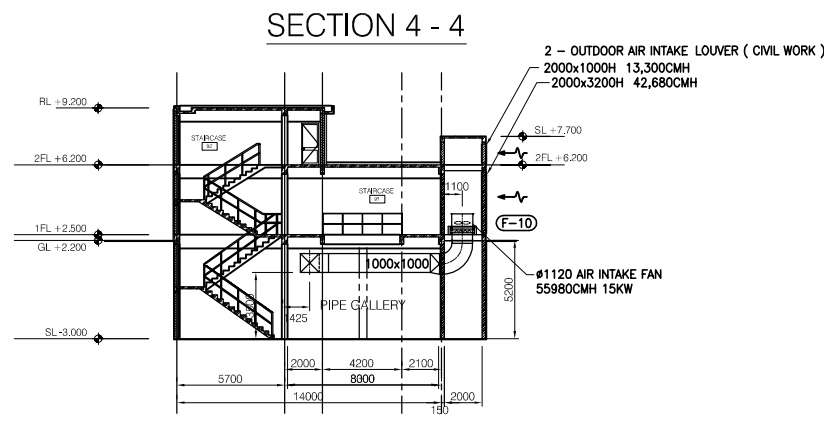
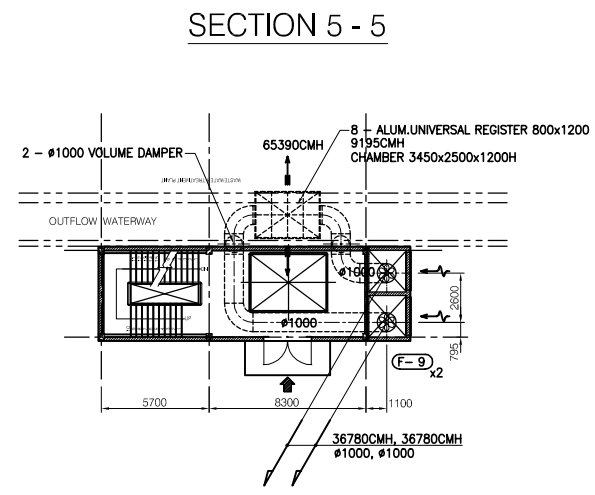
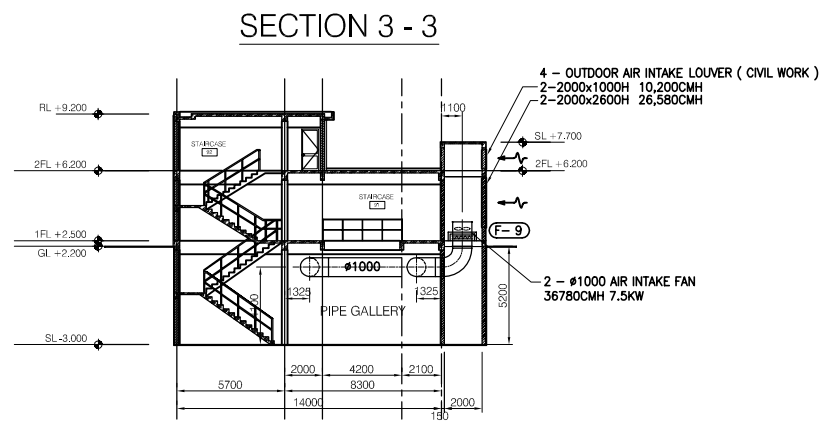
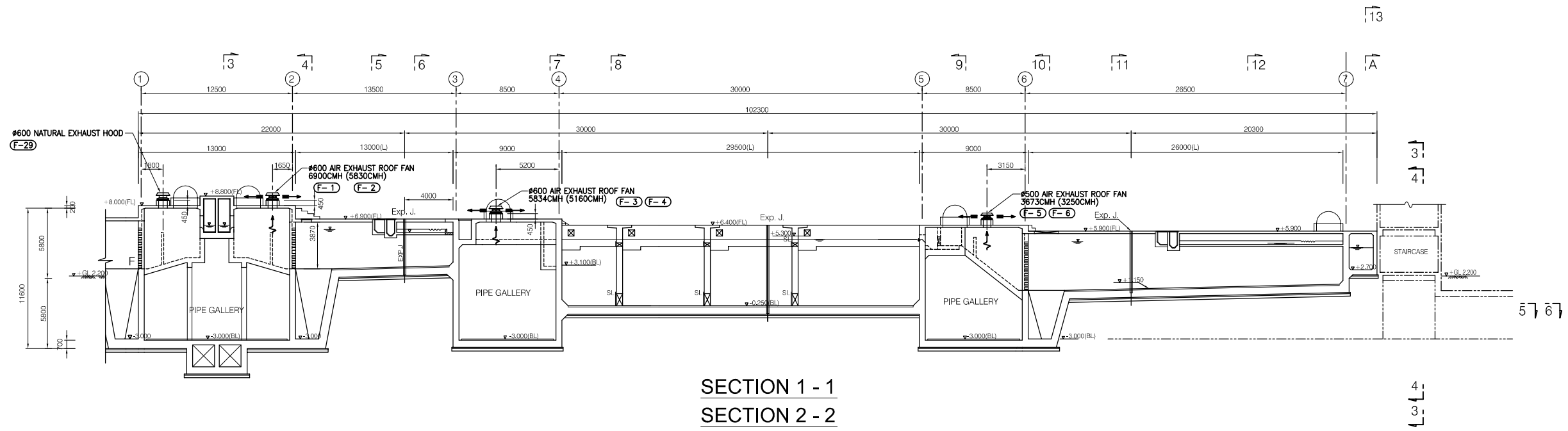
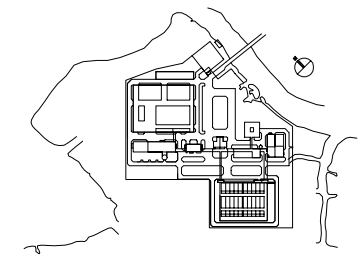
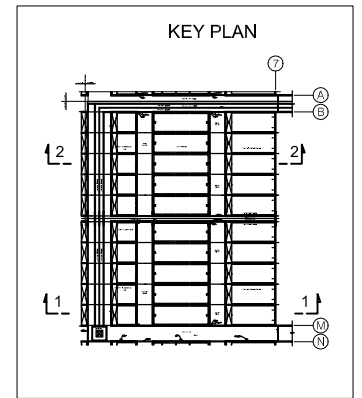


NO.	DATE	DESCRIPTIONS	BY	APPRO.
REVISIONS				
PROJECT MANAGEMENT UNIT FOR HO CHI MINH CITY WATER ENVIRONMENT IMPROVEMENT				
THE DETAILED DESIGN STUDY ON HO CHI MINH CITY WATER ENVIRONMENT IMPROVEMENT PROJECT IN THE SOCIALIST REPUBLIC OF VIET NAM				
PACKAGE E WASTEWATER TREATMENT PLANT VENTILATION FACILITY PLAN (4/27) SEDIMENTATION TANK AND AERATION TANK PLAN (2/2)				
SCALE : 1/200				
JAPAN INTERNATIONAL COOPERATION AGENCY (JICA)				
PACIFIC CONSULTANTS INTERNATIONAL				
DESIGNED KIKUTA HIROSHI		CHECKED KONDO MASAMI		
DATE :		DWG. No. PE-WWTP-307-04		

24



LEGEND



NO.	DATE	DESCRIPTIONS	BY	APRO.
-----	------	--------------	----	-------

REVISIONS

PROJECT MANAGEMENT UNIT FOR
HO CHI MINH CITY
WATER ENVIRONMENT IMPROVEMENT

THE DETAILED DESIGN STUDY ON HO CHI MINH CITY
WATER ENVIRONMENT IMPROVEMENT PROJECT
IN THE SOCIALIST REPUBLIC OF VIET NAM

PACKAGE E
WASTEWATER TREATMENT PLANT
VENTILATION FACILITY SECTION (5/27)
SEDIMENTATION TANK AND
AERATION TANK SECTION

SCALE : 1/200

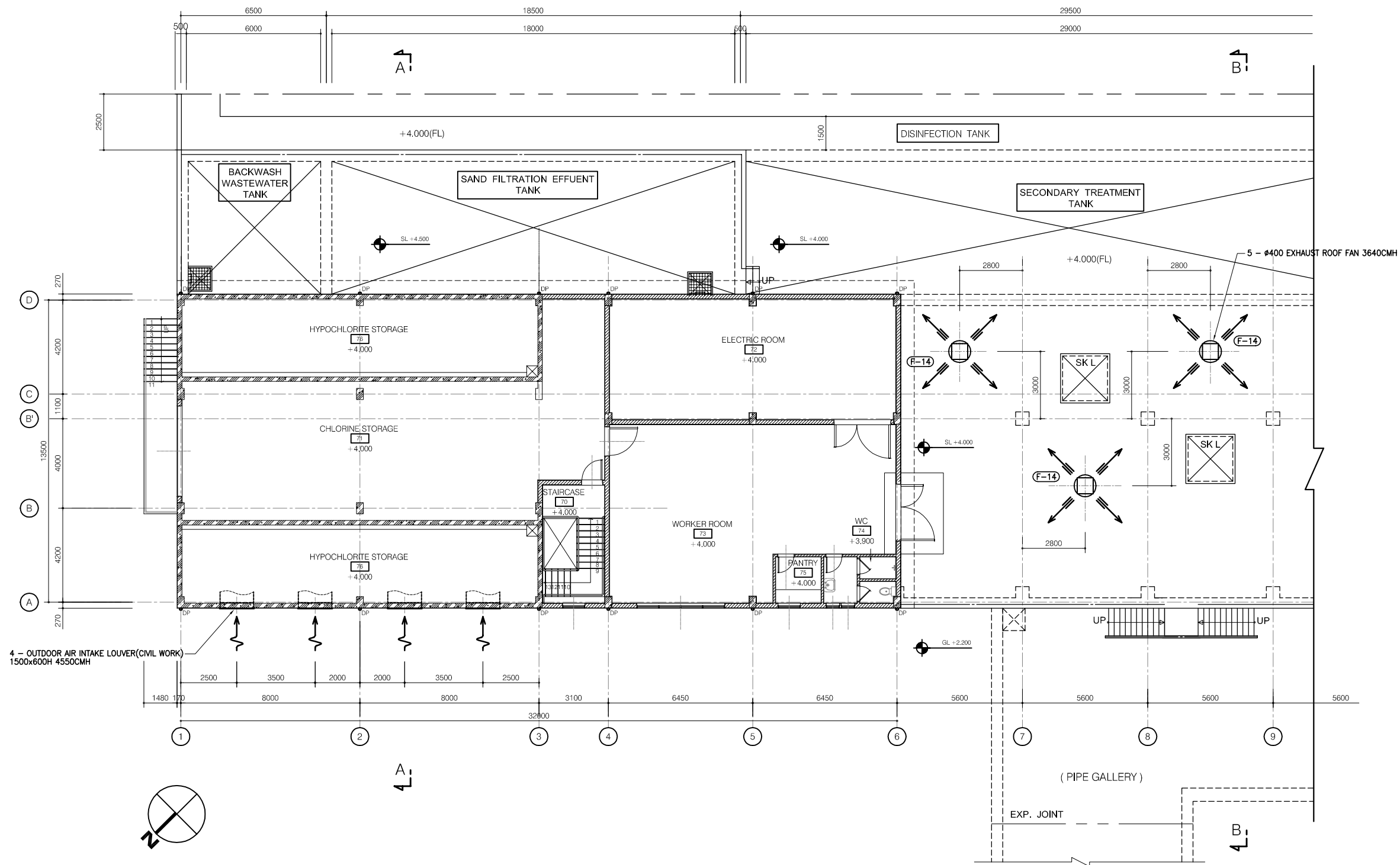
JICA JAPAN INTERNATIONAL COOPERATION
AGENCY (JICA)

PACIFIC CONSULTANTS INTERNATIONAL

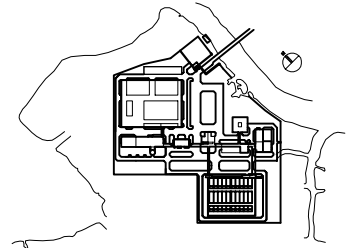
DESIGNED
KIKUTA HIROSHI

CHECKED
KONDO MASAMI

DATE : JUNE 2001 DWG. No. PE-WWTP-307-05



FIRST FLOOR PLAN (1/2)



NO.	DATE	DESCRIPTIONS	BY	APPRO.

REVISIONS

PROJECT MANAGEMENT UNIT FOR
HO CHI MINH CITY
WATER ENVIRONMENT IMPROVEMENT

THE DETAILED DESIGN STUDY ON HO CHI MINH CITY
WATER ENVIRONMENT IMPROVEMENT PROJECT
IN THE SOCIALIST REPUBLIC OF VIET NAM

PACKAGE E
WASTEWATER TREATMENT PLANT
VENTILATION FACILITY PLAN (6/27)
CHLORINE STORAGE
BUILDING PLAN (1/4)

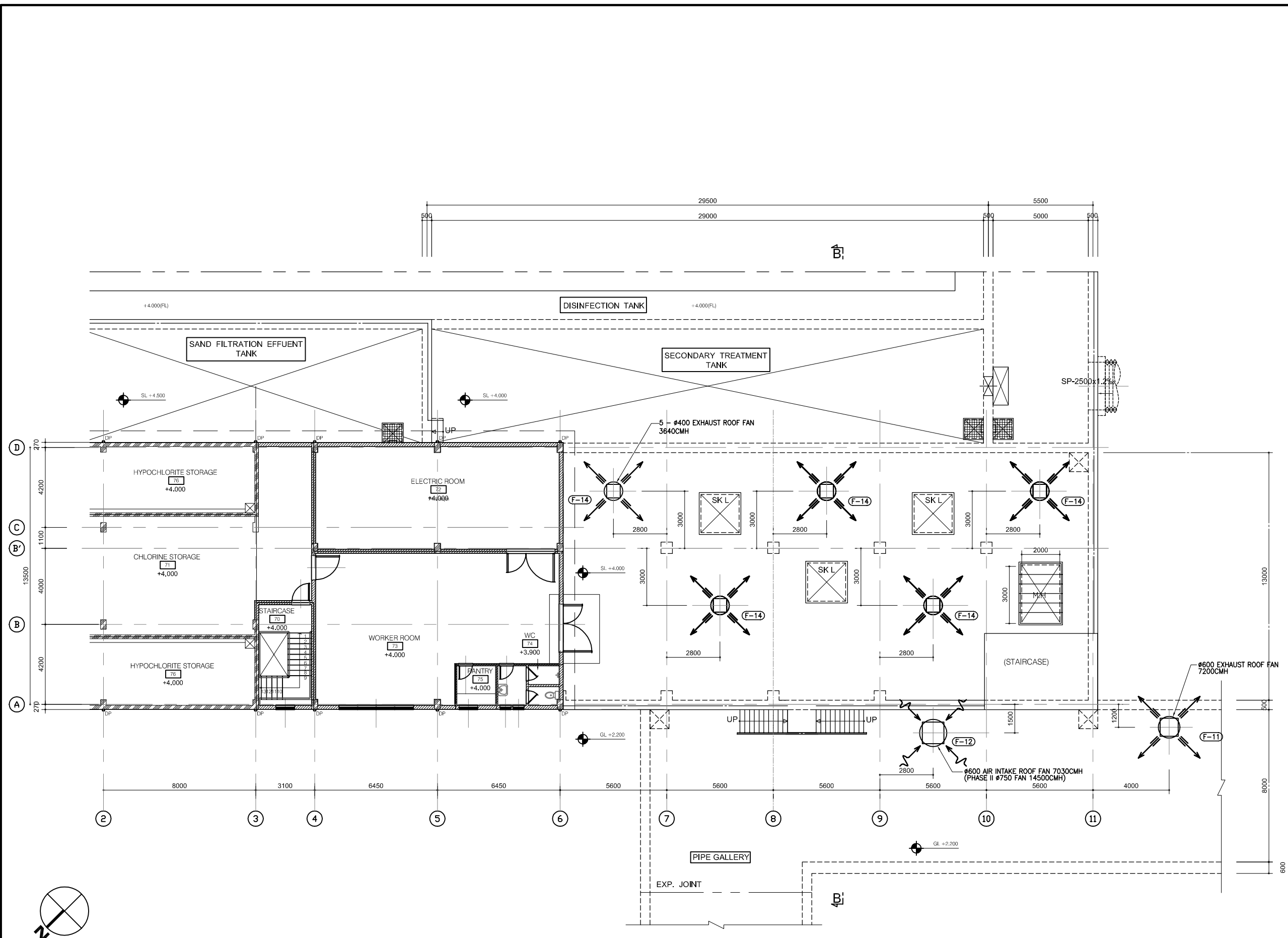
SCALE : 1/100

JICA JAPAN INTERNATIONAL COOPERATION
AGENCY (JICA)

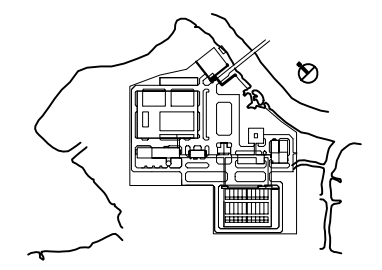
PC PACIFIC CONSULTANTS INTERNATIONAL

DESIGNED KIKUTA HIROSHI	CHECKED KONDO MASAMI
----------------------------	-------------------------

DATE : JUNE 2001 DWG. No. PE-WWTP-307-06

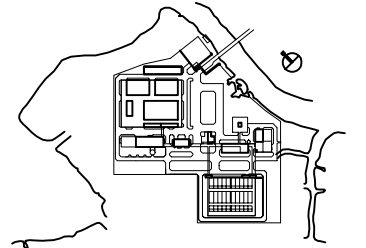
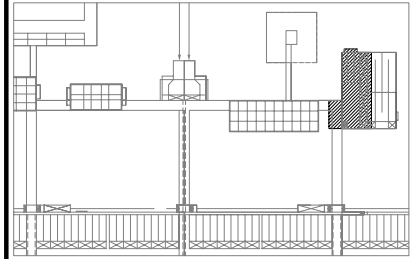


FIRST FLOOR PLAN (2/2)



NO.	DATE	DESCRIPTIONS	BY	APRO.
REVISIONS				
PROJECT MANAGEMENT UNIT FOR HO CHI MINH CITY WATER ENVIRONMENT IMPROVEMENT				
THE DETAILED DESIGN STUDY ON HO CHI MINH CITY WATER ENVIRONMENT IMPROVEMENT PROJECT IN THE SOCIALIST REPUBLIC OF VIET NAM				
PACKAGE E WASTEWATER TREATMENT PLANT VENTILATION FACILITY PLAN (7/27) CHLORINE STORAGE BUILDING PLAN (2/4)				
SCALE : 1/100				
JAPAN INTERNATIONAL COOPERATION AGENCY (JICA)				
PACIFIC CONSULTANTS INTERNATIONAL				
DESIGNED KIKUTA HIROSHI		CHECKED KONDO MASAMI		
DATE : JUNE 2001		DWG. No. PE-WWTP-307-07		

KEY PLAN



NO.	DATE	DESCRIPTIONS	BY	APRO.
REVISIONS				

PROJECT MANAGEMENT UNIT FOR
HO CHI MINH CITY
WATER ENVIRONMENT IMPROVEMENT

THE DETAILED DESIGN STUDY ON HO CHI MINH CITY
WATER ENVIRONMENT IMPROVEMENT PROJECT
IN THE SOCIALIST REPUBLIC OF VIET NAM

PACKAGE E
WASTEWATER TREATMENT PLANT
VENTILATION FACILITY PLAN (8/27)
CHLORINE STORAGE
BUILDING PLAN (3/4)

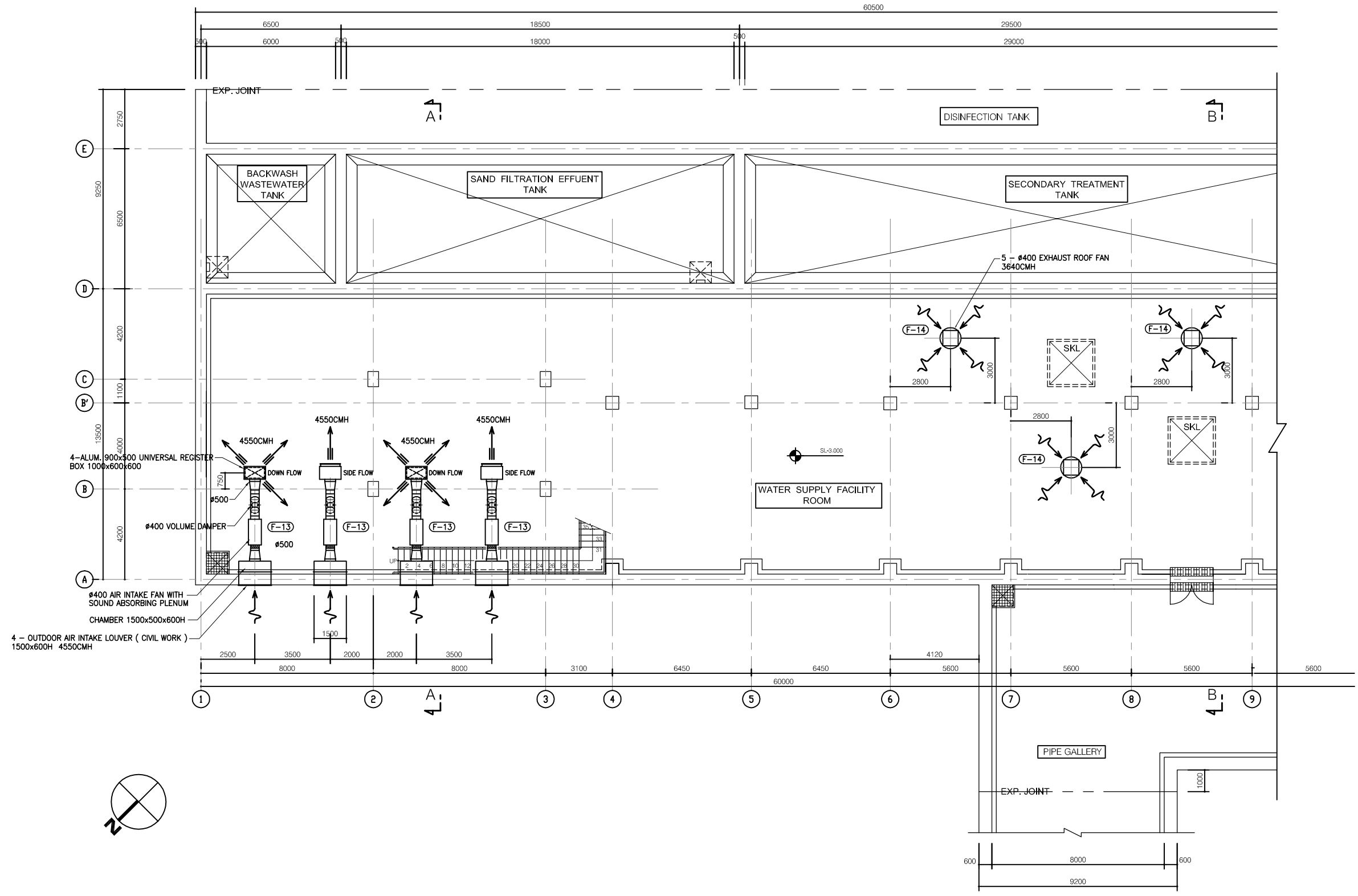
SCALE : 1/100

JICA JAPAN INTERNATIONAL COOPERATION
AGENCY (JICA)

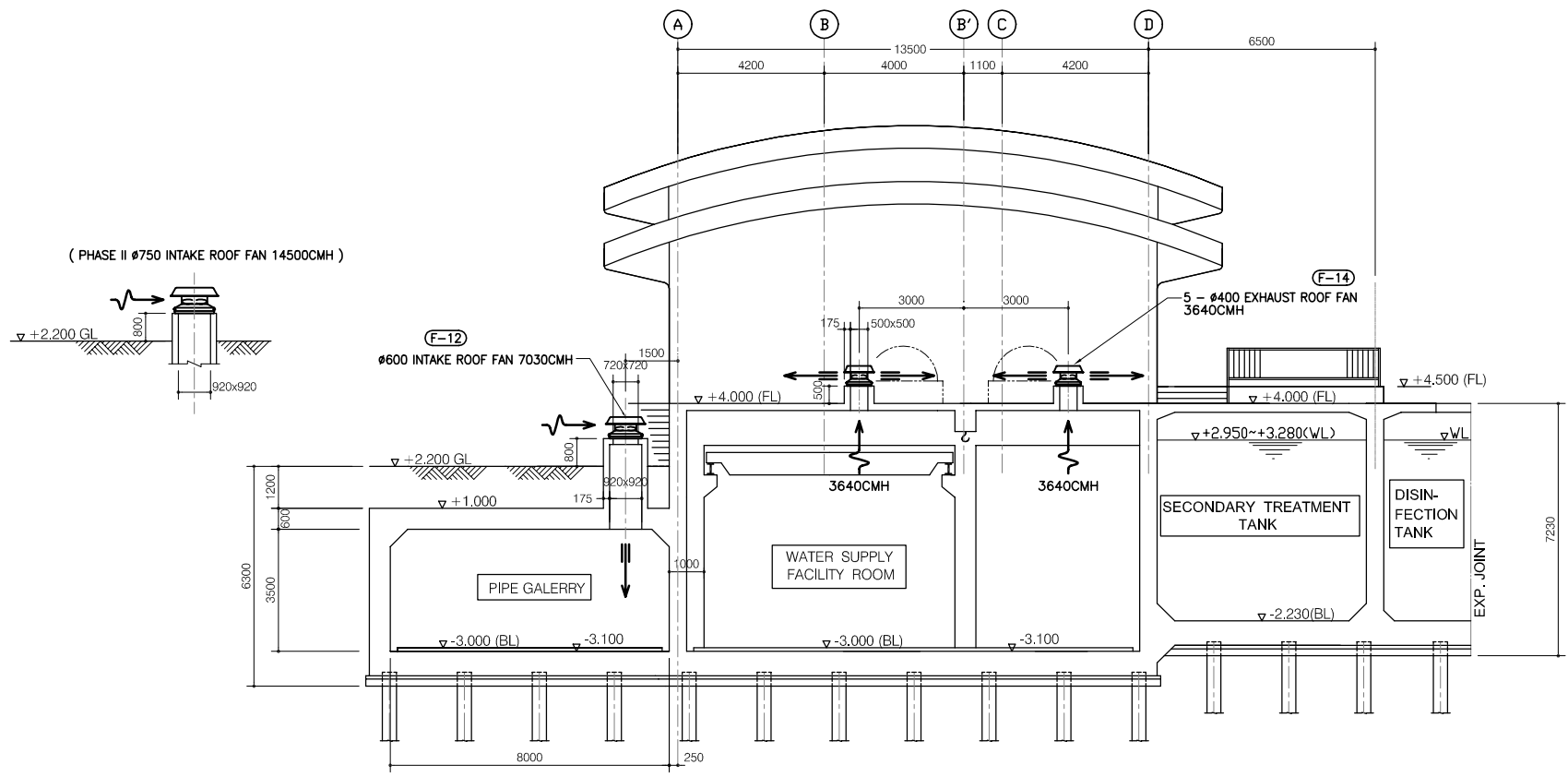
PACIFIC CONSULTANTS INTERNATIONAL

DESIGNED KIKUTA HIROSHI	CHECKED KONDO MASAMI
----------------------------	-------------------------

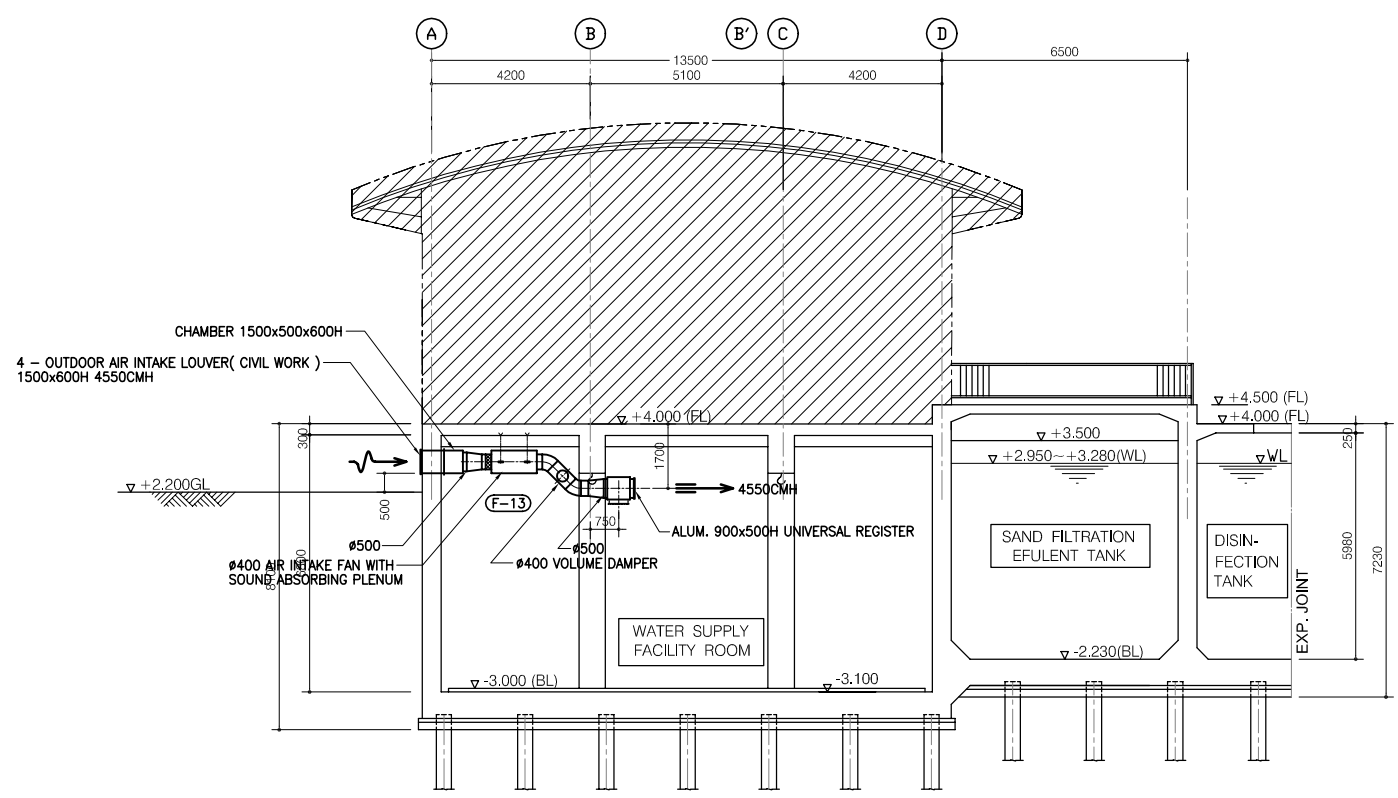
DATE : JUNE 2001 DWG. No. PE-WWTP-307-08



BASEMENT FLOOR PLAN (1/2)

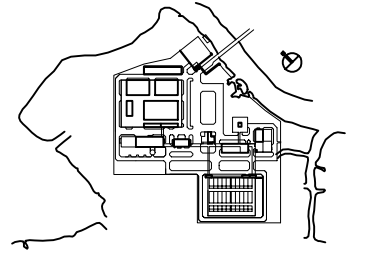
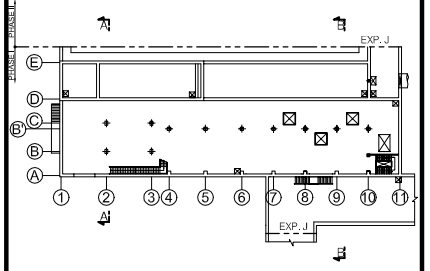


CROSS SECTION B-B



CROSS SECTION A-A

KEY PLAN



NO.	DATE	DESCRIPTIONS	BY	APRO.
-----	------	--------------	----	-------

REVISIONS

PROJECT MANAGEMENT UNIT FOR
HO CHI MINH CITY
WATER ENVIRONMENT IMPROVEMENT

THE DETAILED DESIGN STUDY ON HO CHI MINH CITY
WATER ENVIRONMENT IMPROVEMENT PROJECT
IN THE SOCIALIST REPUBLIC OF VIET NAM

PACKAGE E
WASTEWATER TREATMENT PLANT
VENTILATION FACILITY SECTION (10/27)
CHLORINE STORAGE
BUILDING SECTION

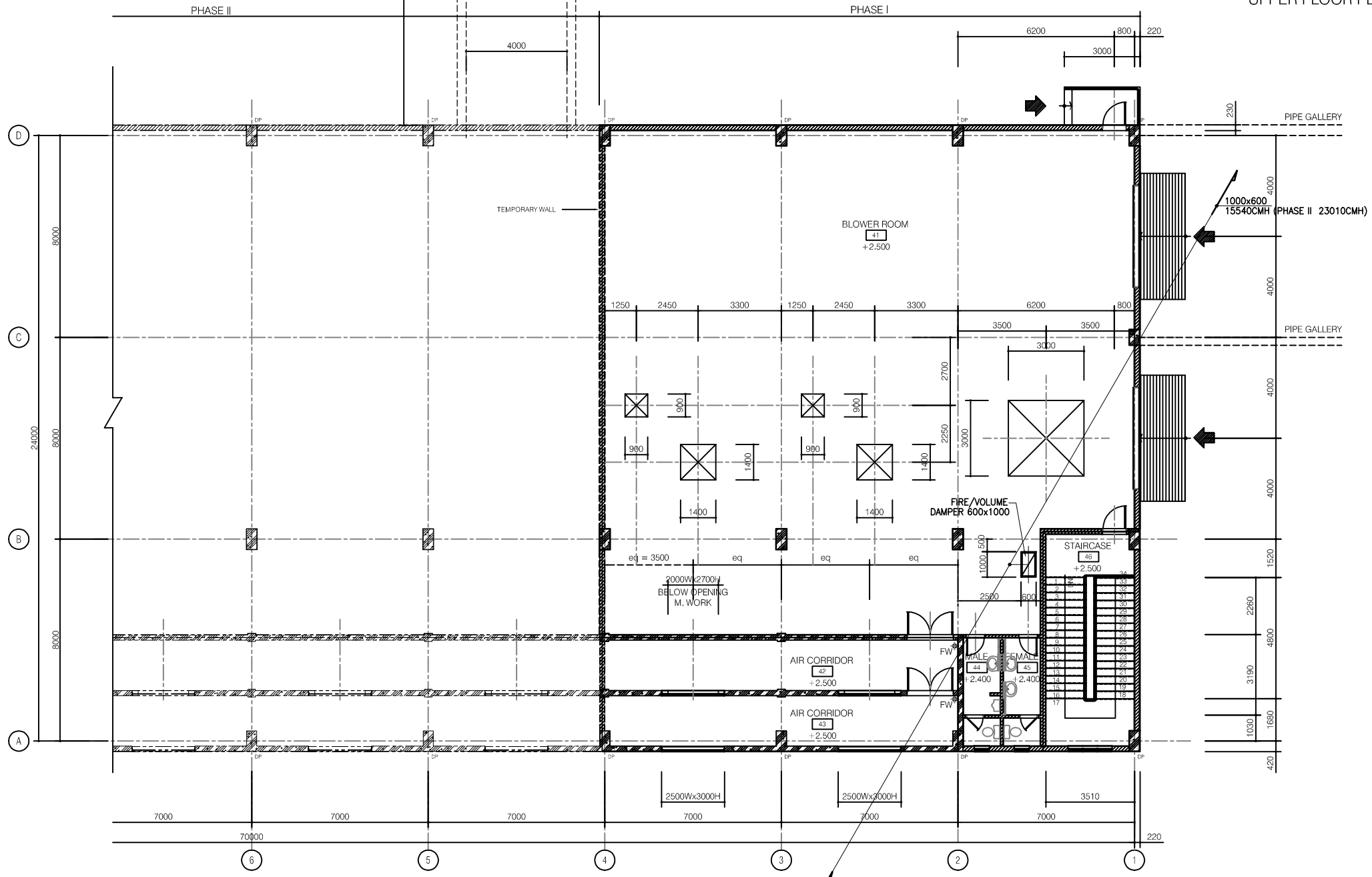
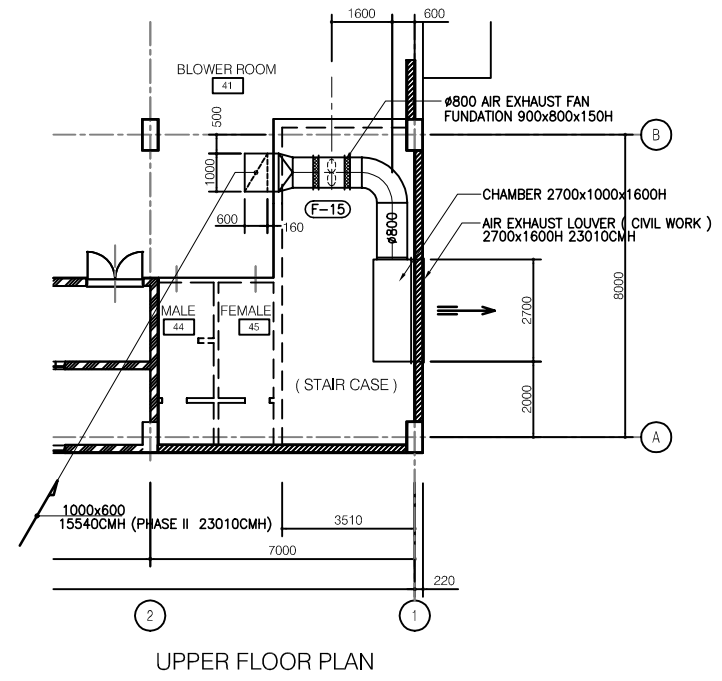
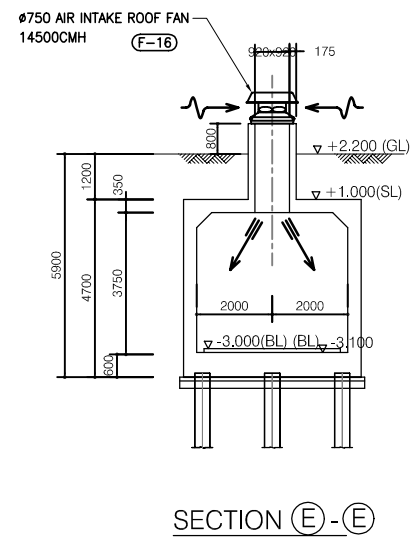
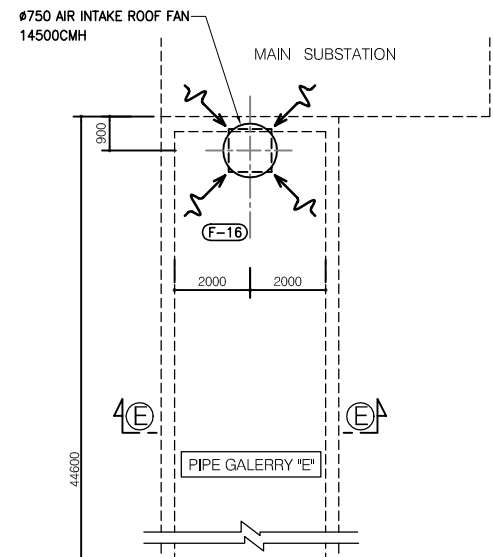
SCALE : 1/100

JICA JAPAN INTERNATIONAL COOPERATION
AGENCY (JICA)

PACIFIC CONSULTANTS INTERNATIONAL

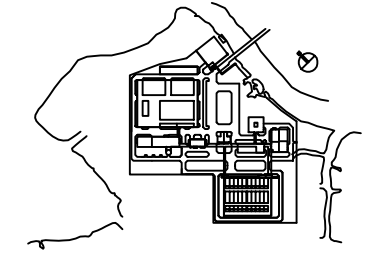
DESIGNED KIKUTA HIROSHI	CHECKED KONDO MASAMI
----------------------------	-------------------------

DATE : JUNE 2001 DWG. No. PE-WWTP-307-10

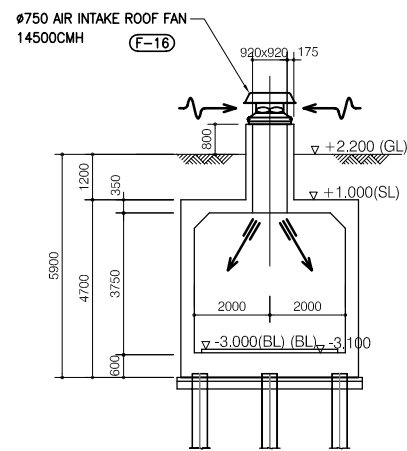


FIRST FLOOR PLAN (2/2)

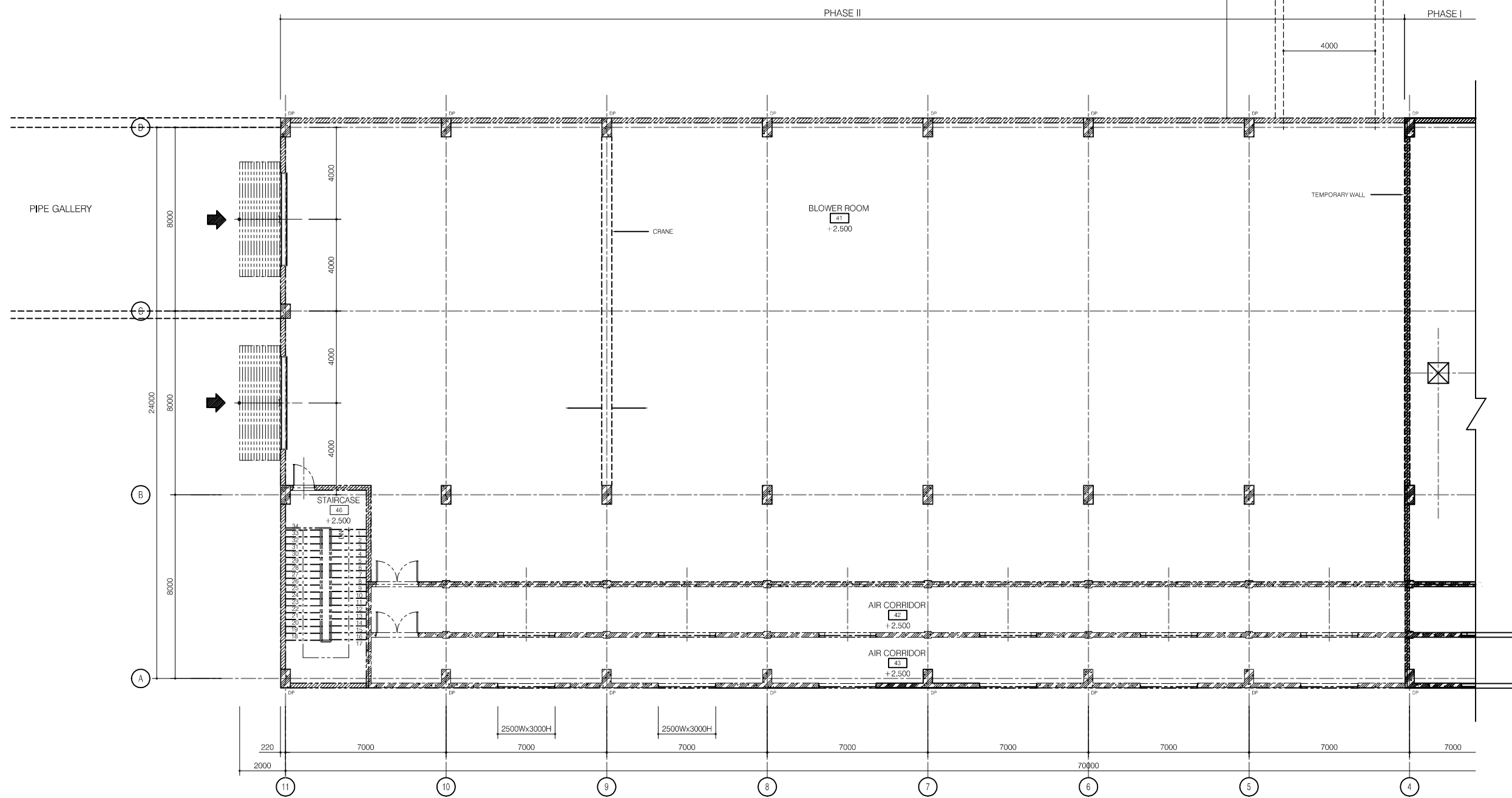
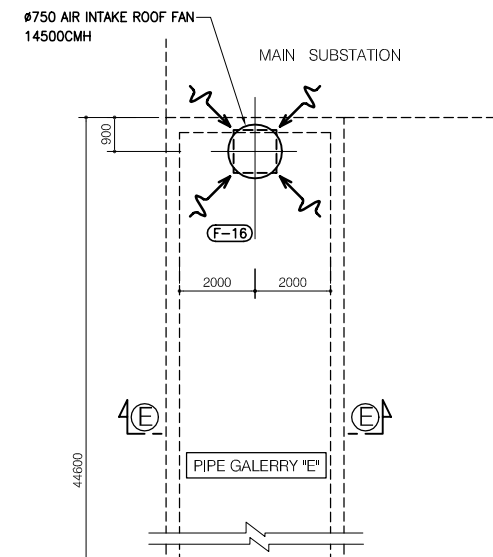
1000x600
15540CMH (PHASE II 23010CMH)



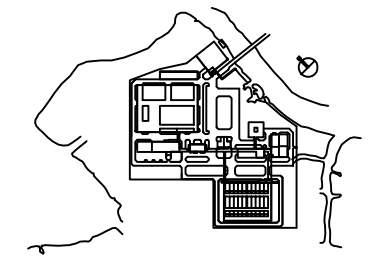
NO.	DATE	DESCRIPTIONS	BY	APPRO.
REVISIONS				
PROJECT MANAGEMENT UNIT FOR HO CHI MINH CITY WATER ENVIRONMENT IMPROVEMENT				
THE DETAILED DESIGN STUDY ON HO CHI MINH CITY WATER ENVIRONMENT IMPROVEMENT PROJECT IN THE SOCIALIST REPUBLIC OF VIET NAM				
PACKAGE E WASTEWATER TREATMENT PLANT VENTILATION FACILITY PLAN (11/27) BLOWER BUILDING PLAN (1/3)				
SCALE : 1/100				
JAPAN INTERNATIONAL COOPERATION AGENCY (JICA)				
PACIFIC CONSULTANTS INTERNATIONAL				
DESIGNED KIKUTA HIROSHI		CHECKED KONDO MASAMI		
DATE : JUNE 2001		DWG. No. PE-WWTP-307-11		



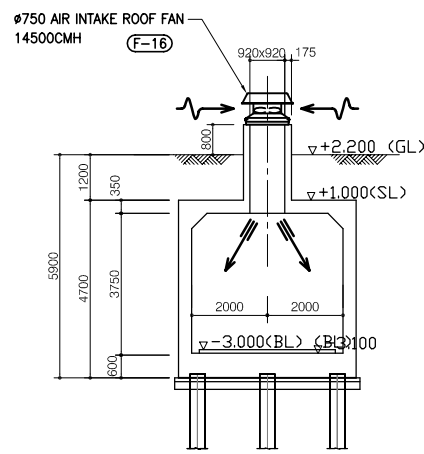
SECTION (E)-E



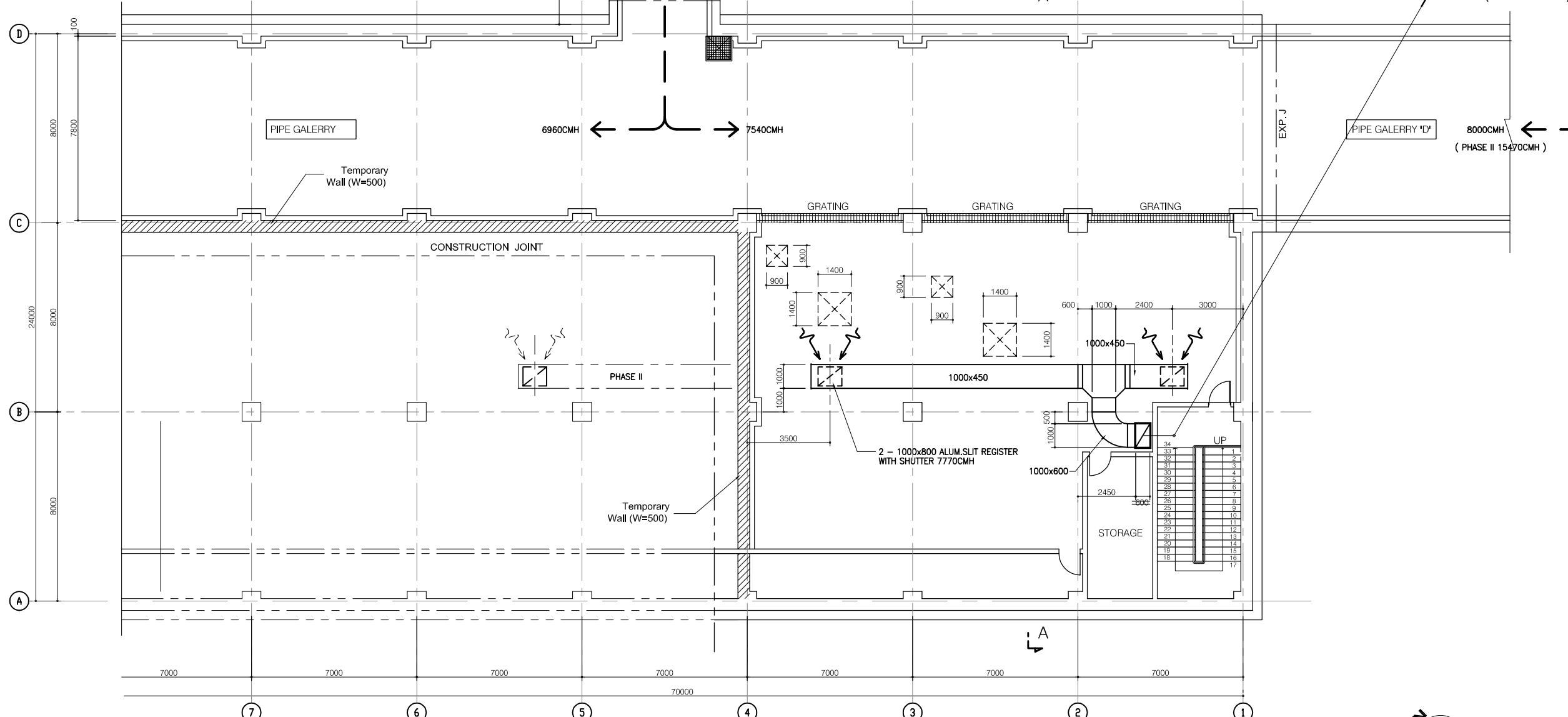
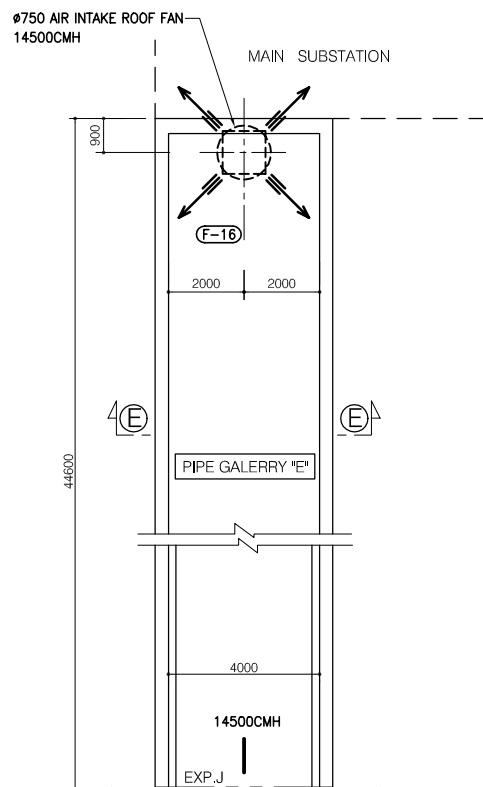
FIRST FLOOR PLAN (2/2)



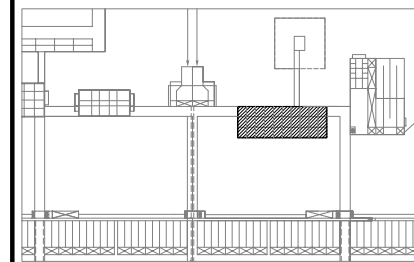
NO.	DATE	DESCRIPTIONS	BY	APRO.
REVISIONS				
PROJECT MANAGEMENT UNIT FOR HO CHI MINH CITY WATER ENVIRONMENT IMPROVEMENT				
THE DETAILED DESIGN STUDY ON HO CHI MINH CITY WATER ENVIRONMENT IMPROVEMENT PROJECT IN THE SOCIALIST REPUBLIC OF VIET NAM				
PACKAGE E WASTEWATER TREATMENT PLANT VENTILATION FACILITY PLAN (12/27) BLOWER BUILDING PLAN (2/3)				
SCALE : 1/100				
JAPAN INTERNATIONAL COOPERATION AGENCY (JICA)				
PACIFIC CONSULTANTS INTERNATIONAL				
DESIGNED KIKUTA HIROSHI		CHECKED KONDO MASAMI		
DATE : JUNE 2001		DWG. No. PE-WWTP-307-12		



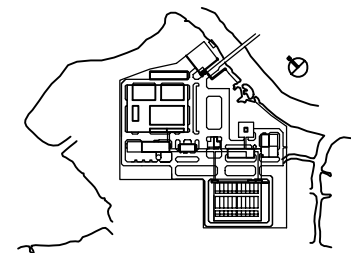
SECTION (E)-(E)



BASEMENT FLOOR PLAN (1/2)



KEY PLAN



NO.	DATE	DESCRIPTIONS	BY	APPRO.
-----	------	--------------	----	--------

REVISIONS

PROJECT MANAGEMENT UNIT FOR
HO CHI MINH CITY
WATER ENVIRONMENT IMPROVEMENT

THE DETAILED DESIGN STUDY ON HO CHI MINH CITY
WATER ENVIRONMENT IMPROVEMENT PROJECT
IN THE SOCIALIST REPUBLIC OF VIET NAM

PACKAGE E
WASTEWATER TREATMENT PLANT
VENTILATION FACILITY PLAN (13/27)
BLOWER BUILDING PLAN (3/3)

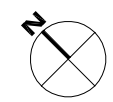
SCALE : 1/100

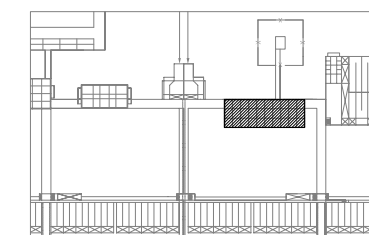
JICA JAPAN INTERNATIONAL COOPERATION
AGENCY (JICA)

PACIFIC CONSULTANTS INTERNATIONAL

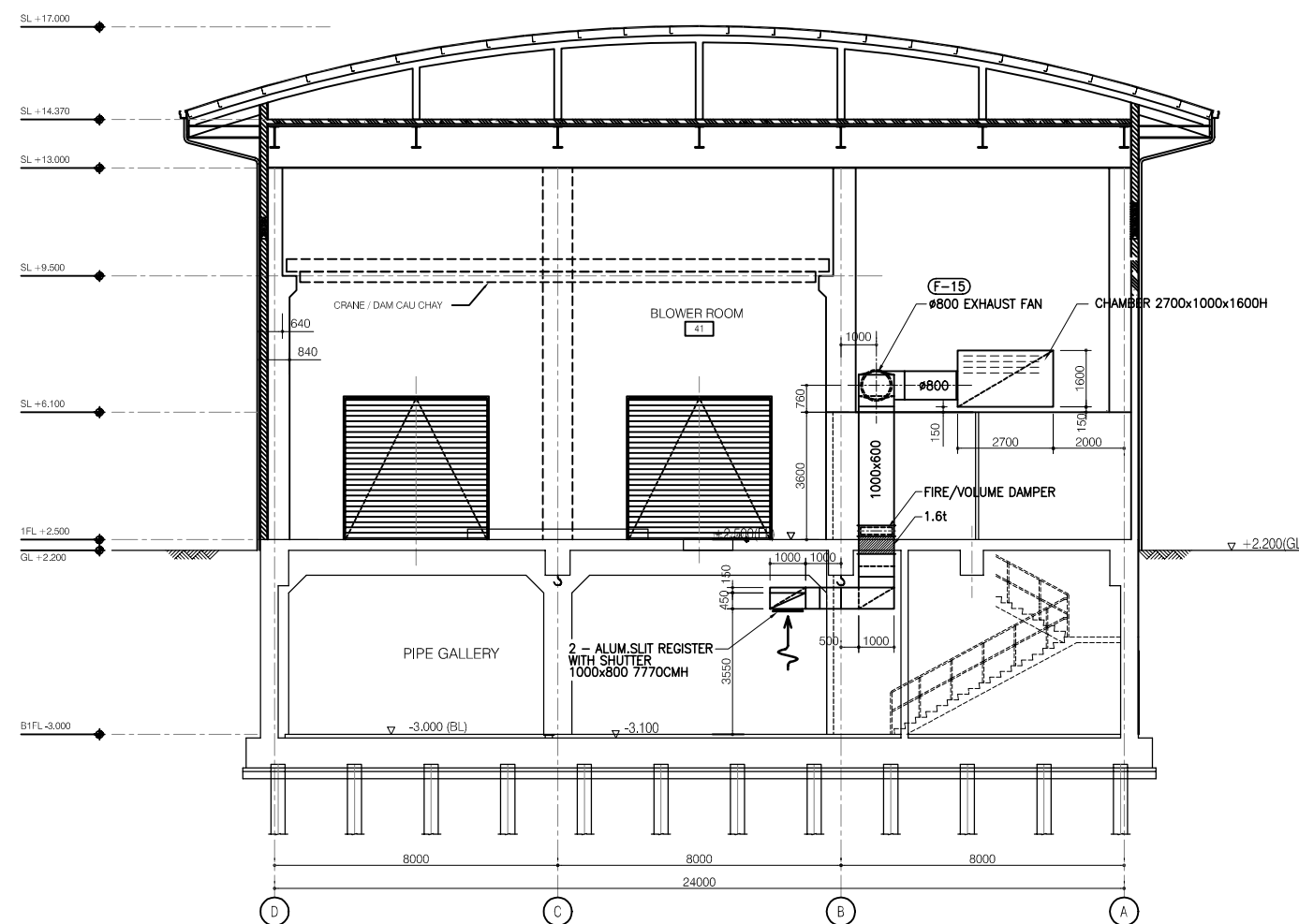
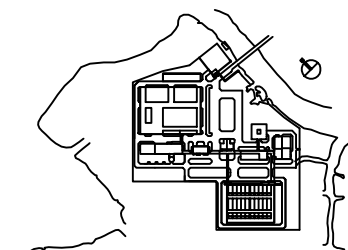
DESIGNED KIKUTA HIROSHI	CHECKED KONDO MASAMI
----------------------------	-------------------------

DATE : JUNE 2001 DWG. No. PE-WWTP-307-13





KEY PLAN



CROSS SECTION A-A

NO.	DATE	DESCRIPTIONS	BY	APRO.
-----	------	--------------	----	-------

REVISIONS

PROJECT MANAGEMENT UNIT FOR
HO CHI MINH CITY
WATER ENVIRONMENT IMPROVEMENT

THE DETAILED DESIGN STUDY ON HO CHI MINH CITY
WATER ENVIRONMENT IMPROVEMENT PROJECT
IN THE SOCIALIST REPUBLIC OF VIET NAM

PACKAGE E
WASTEWATER TREATMENT PLANT
VENTILATION FACILITY SECTION (14/27)
BLOWER BUILDING SECTION

SCALE : 1/100

JICA JAPAN INTERNATIONAL COOPERATION
AGENCY (JICA)

PC PACIFIC CONSULTANTS INTERNATIONAL

DESIGNED KIKUTA HIROSHI	CHECKED KONDO MASAMI
----------------------------	-------------------------

DATE : JUNE 2001 DWG. No. PE-WWTP-307-14