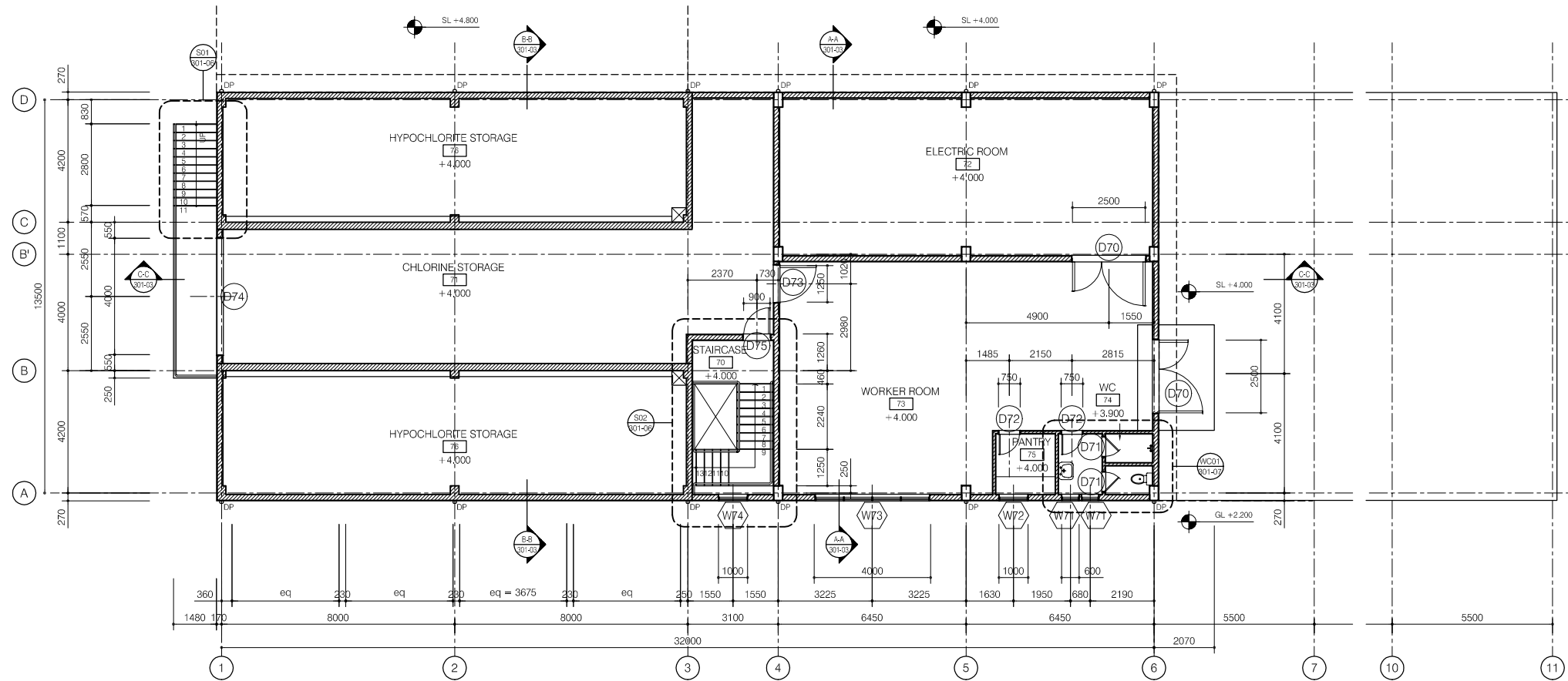


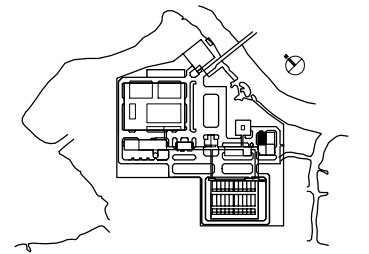
Chlorine storage building



FIRST FLOOR PLAN

LEGEND

- 190mm THK. BRICK WALL, 20THK CEM./SAND
 RENDERING ON SURFACE / TUONG GACH DAY
 190mm, TRAT VUA DAY 20 MOI MAT
- 90mm THK. BRICK WALL, 20THK CEM./SAND
 RENDERING ON SURFACE / TUONG GACH DAY
 90mm, TRAT VUA DAY 20 MOI MAT



NO.	DATE	DESCRIPTIONS	BY	APRO.

REVISIONS

 PROJECT MANAGEMENT UNIT FOR
 HO CHI MINH CITY
 WATER ENVIRONMENT IMPROVEMENT

 THE DETAILED DESIGN STUDY ON HO CHI MINH CITY
 WATER ENVIRONMENT IMPROVEMENT PROJECT
 IN THE SOCIALIST REPUBLIC OF VIET NAM

 PACKAGE E
 WASTEWATER TREATMENT PLANT
 CHLORINE STORAGE BUILDING
 FIRST FLOOR PLAN

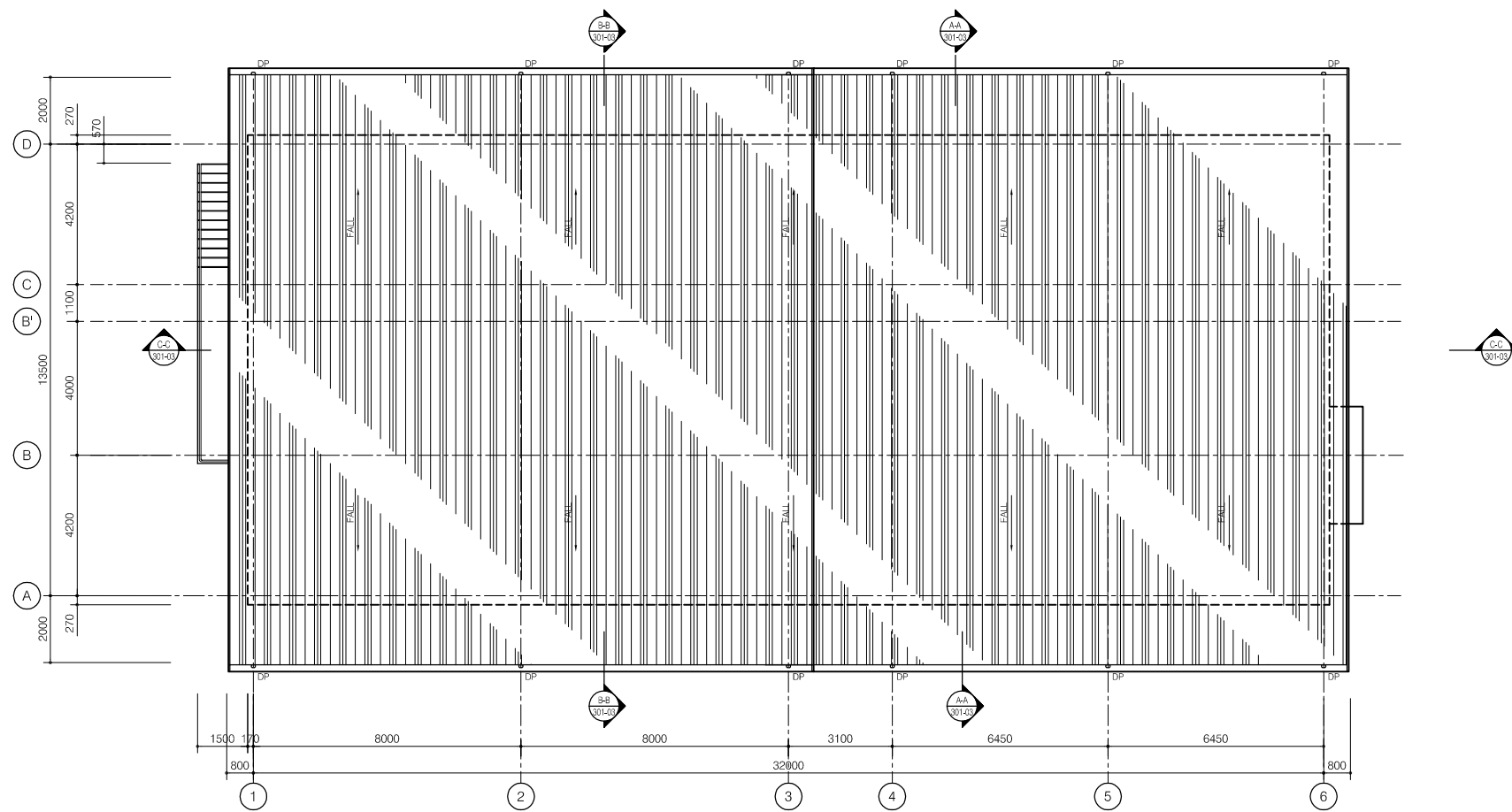
SCALE : 1/100

JAPAN INTERNATIONAL COOPERATION
 AGENCY (JICA)

PACIFIC CONSULTANTS INTERNATIONAL

DESIGNED KIKUTA HIROSHI	CHECKED KONDO MASAMI
-----------------------------------	--------------------------------

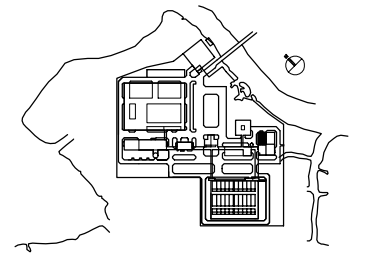
DATE : JUNE 2001 DWG. No. PE-WWTP-301-01



ROOF PLAN

LEGEND

- 190mm THK. BRICK WALL, 20THK CEM./SAND
RENDERING ON SURFACE / TUONG GACH DAY
190mm, TRAT VUA DAY 20 MOI MAT
- 90mm THK. BRICK WALL, 20THK CEM./SAND
RENDERING ON SURFACE / TUONG GACH DAY
90mm, TRAT VUA DAY 20 MOI MAT



NO.	DATE	DESCRIPTIONS	BY	APRO.

REVISIONS

PROJECT MANAGEMENT UNIT FOR
HO CHI MINH CITY
WATER ENVIRONMENT IMPROVEMENT

THE DETAILED DESIGN STUDY ON HO CHI MINH CITY
WATER ENVIRONMENT IMPROVEMENT PROJECT
IN THE SOCIALIST REPUBLIC OF VIET NAM

PACKAGE E
WASTEWATER TREATMENT PLANT
CHLORINE STORAGE BUILDING
ROOF PLAN

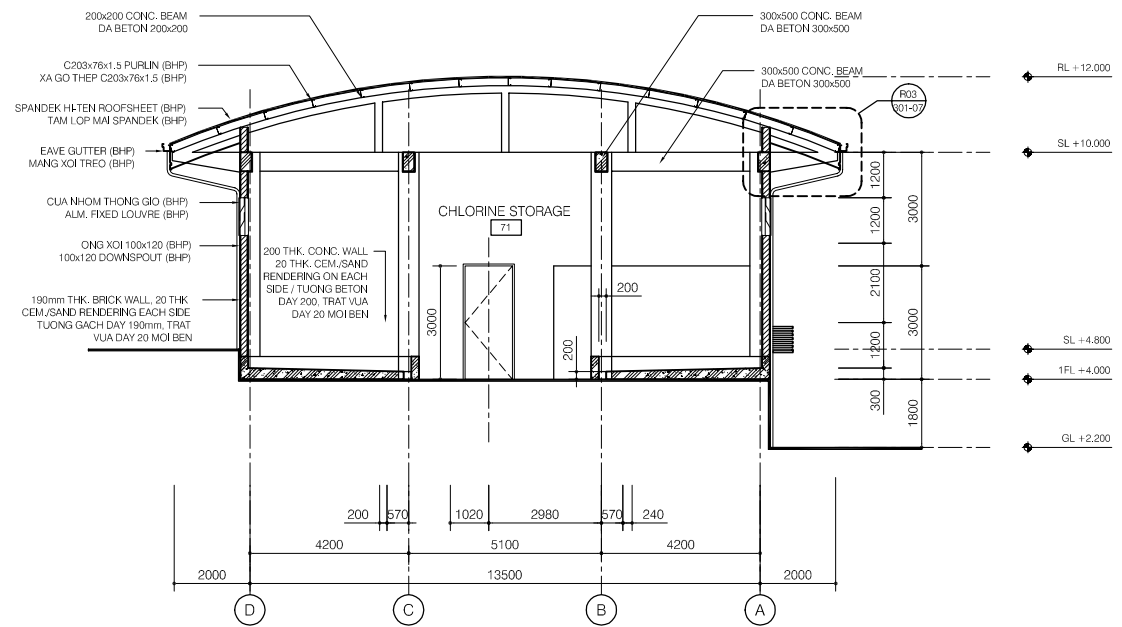
SCALE : 1/100

JAPAN INTERNATIONAL COOPERATION
AGENCY (JICA)

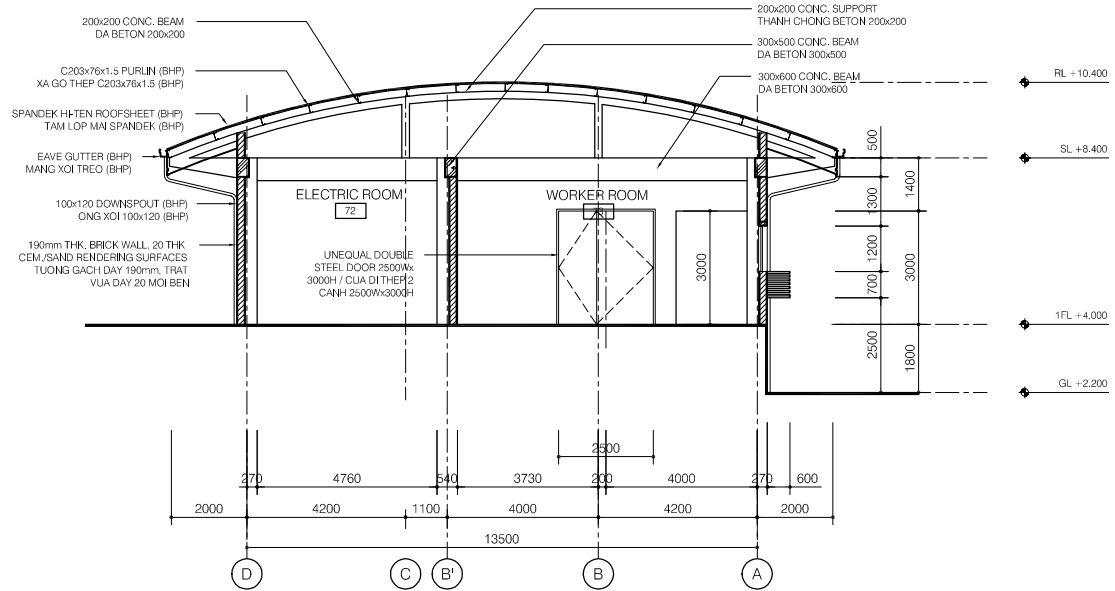
PACIFIC CONSULTANTS INTERNATIONAL

DESIGNED KIKUTA HIROSHI	CHECKED KONDO MASAMI
----------------------------	-------------------------

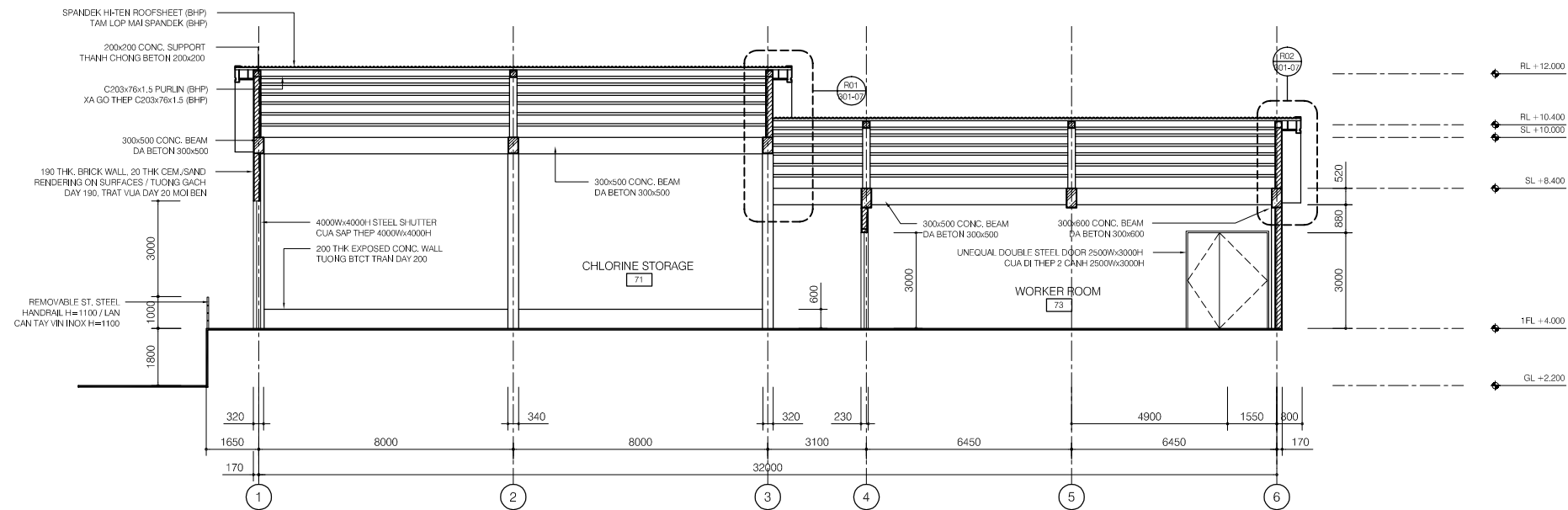
DATE : JUNE 2001 DWG. No. PE-WWTP-301-02



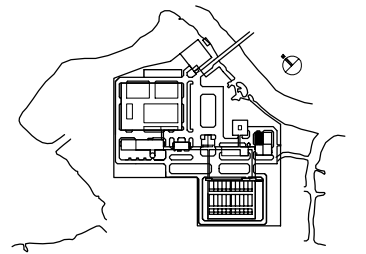
CROSS SECTION B-B



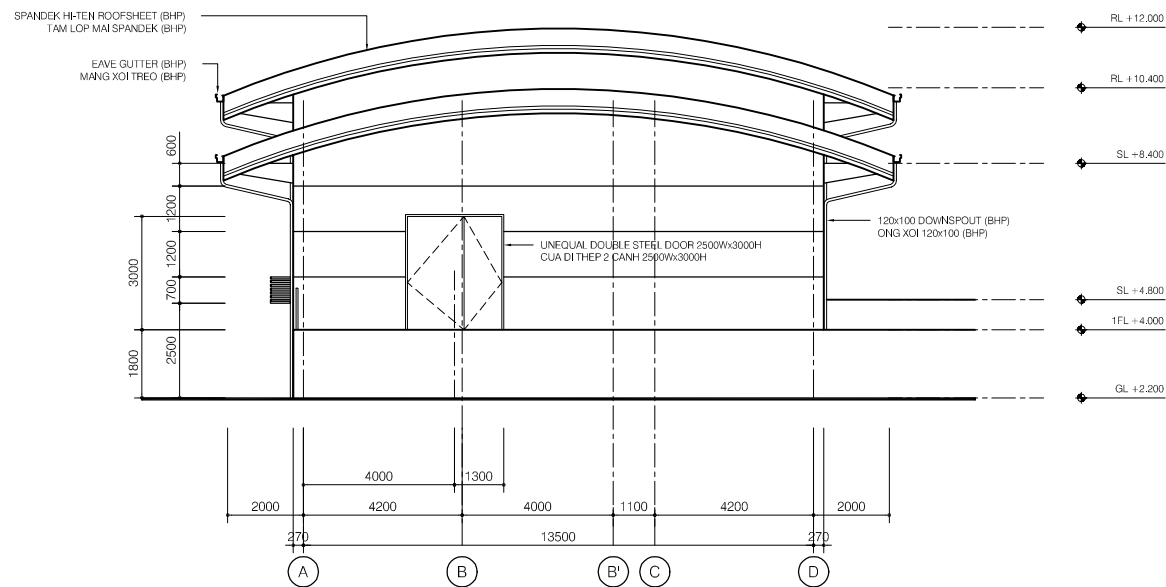
CROSS SECTION A-A



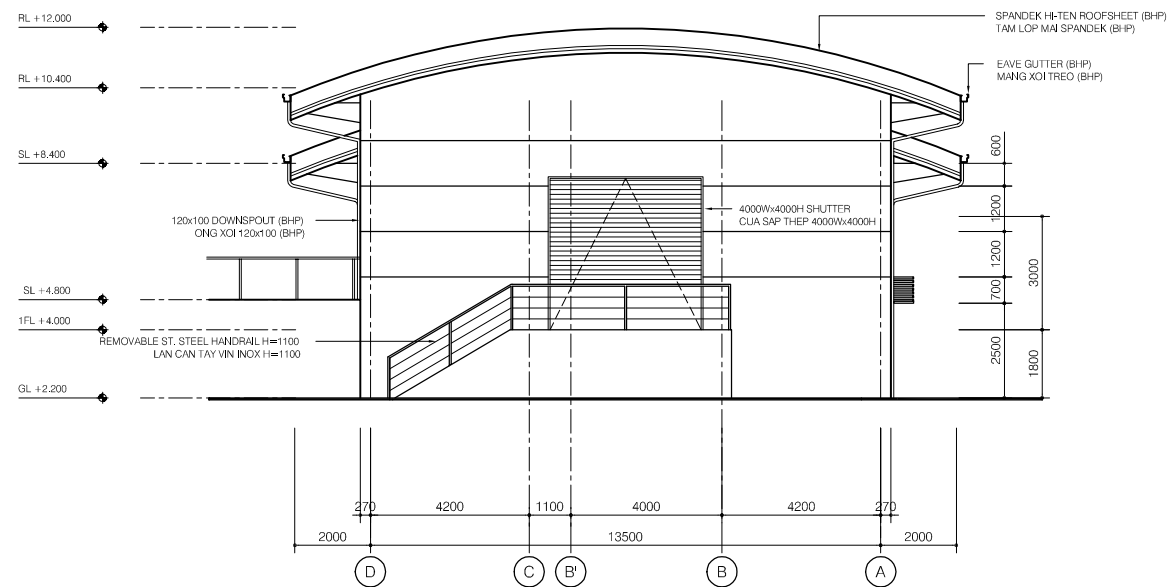
LONGITUDINAL SECTION C-C



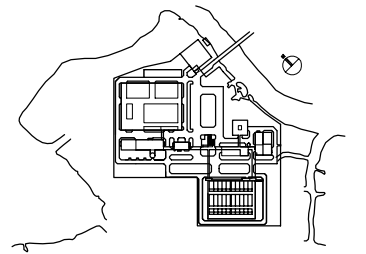
NO.	DATE	DESCRIPTIONS	BY	APPRO.
REVISIONS				
PROJECT MANAGEMENT UNIT FOR HO CHI MINH CITY WATER ENVIRONMENT IMPROVEMENT				
THE DETAILED DESIGN STUDY ON HO CHI MINH CITY WATER ENVIRONMENT IMPROVEMENT PROJECT IN THE SOCIALIST REPUBLIC OF VIET NAM				
PACKAGE E WASTEWATER TREATMENT PLANT CHLORINE STORAGE BUILDING SECTION A-A, B-B, C-C				
SCALE : 1/100				
JAPAN INTERNATIONAL COOPERATION AGENCY (JICA)				
PACIFIC CONSULTANTS INTERNATIONAL				
DESIGNED KIKUTA HIROSHI			CHECKED KONDO MASAMI	
DATE : JUNE 2001		DWG. No. PE-WWTP-301-03		



ELEVATION LINE 6



ELEVATION LINE 1



NO.	DATE	DESCRIPTIONS	BY	APRO.

REVISIONS

PROJECT MANAGEMENT UNIT FOR
HO CHI MINH CITY
WATER ENVIRONMENT IMPROVEMENT

THE DETAILED DESIGN STUDY ON HO CHI MINH CITY
WATER ENVIRONMENT IMPROVEMENT PROJECT
IN THE SOCIALIST REPUBLIC OF VIET NAM

PACKAGE E
WASTEWATER TREATMENT PLANT
CHLORINE STORAGE BUILDING
ELEVATION LINE 1, 6

SCALE : 1/100

JICA JAPAN INTERNATIONAL COOPERATION
AGENCY (JICA)

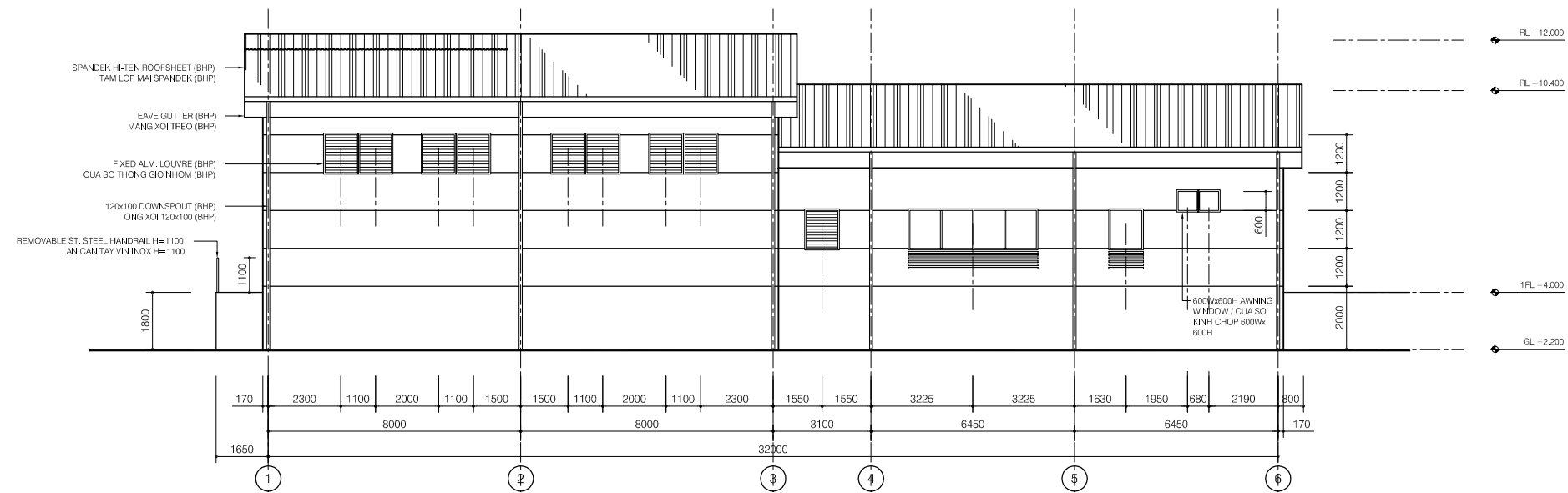
PACIFIC CONSULTANTS INTERNATIONAL

DESIGNED
KIKUTA HIROSHI

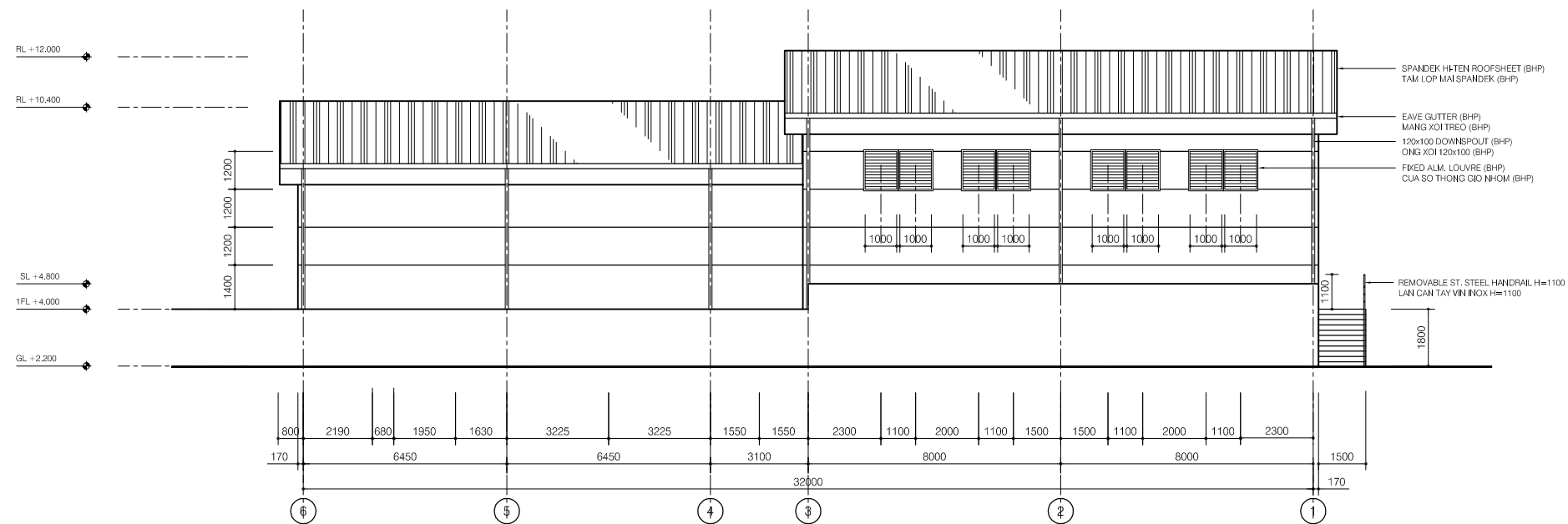
CHECKED
KONDO MASAMI

DATE : JUNE 2001

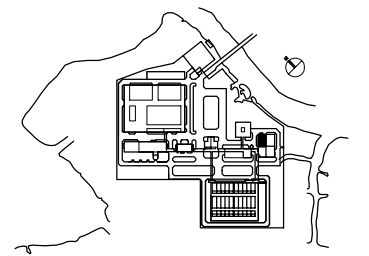
DWG. No. PE-WWTP-301-04



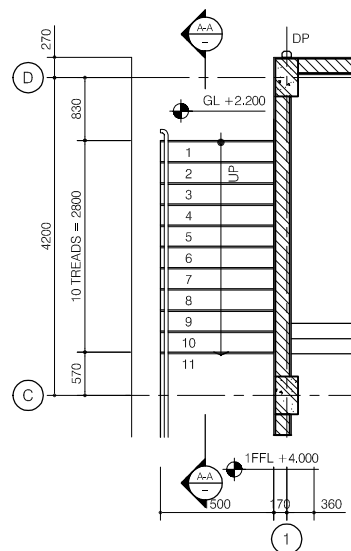
ELEVATION LINE A



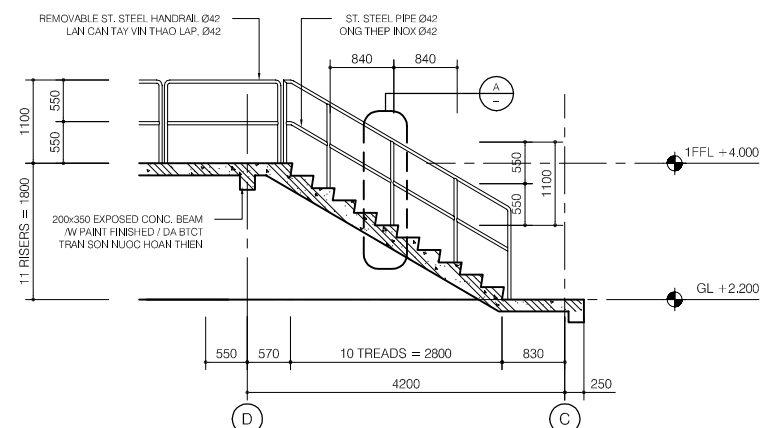
ELEVATION LINE A



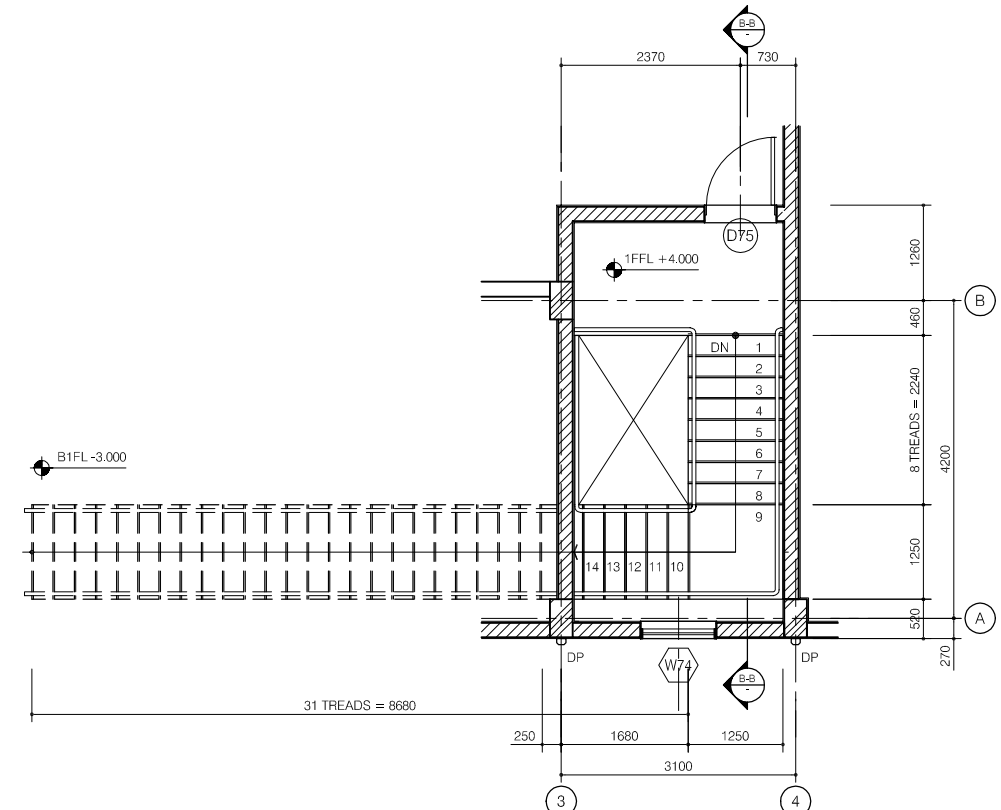
NO.	DATE	DESCRIPTIONS	BY	APPRO.
REVISIONS				
PROJECT MANAGEMENT UNIT FOR HO CHI MINH CITY WATER ENVIRONMENT IMPROVEMENT				
THE DETAILED DESIGN STUDY ON HO CHI MINH CITY WATER ENVIRONMENT IMPROVEMENT PROJECT IN THE SOCIALIST REPUBLIC OF VIET NAM				
PACKAGE E WASTEWATER TREATMENT PLANT CHLORINE STORAGE BUILDING ELEVATION LINE A, D				
SCALE : 1/100				
JAPAN INTERNATIONAL COOPERATION AGENCY (JICA)				
PACIFIC CONSULTANTS INTERNATIONAL				
DESIGNED KIKUTA HIROSHI		CHECKED KONDO MASAMI		
DATE : JUNE 2001		DWG. No. PE-WWTP-301-05		



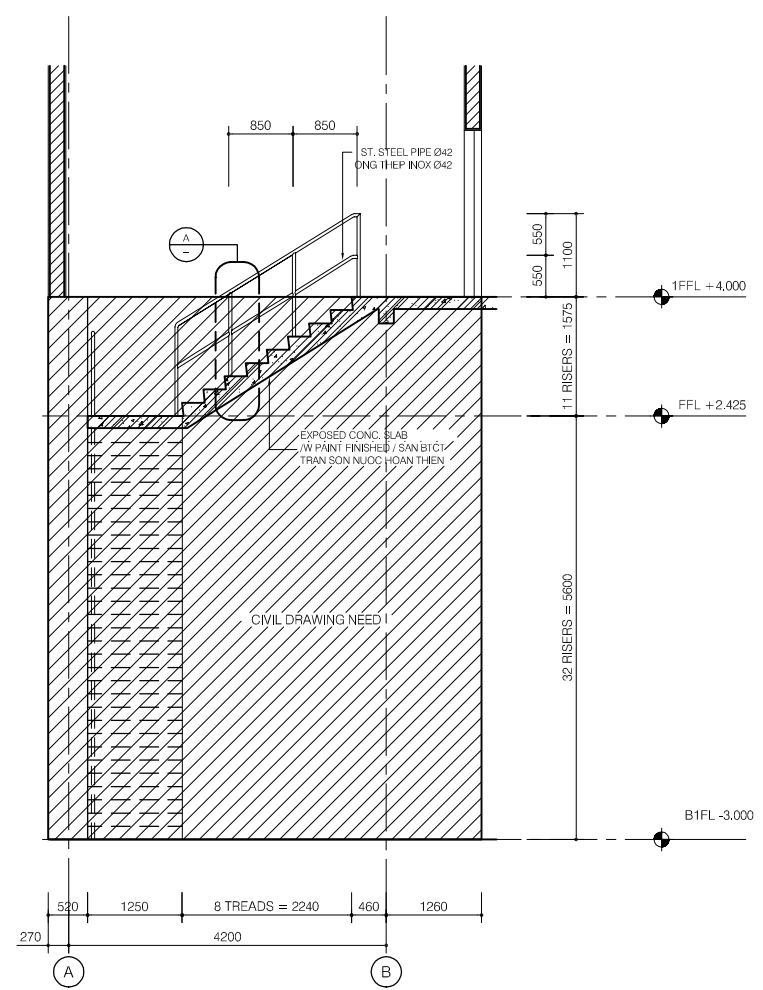
FLOOR PLAN (S01)
SCALE: 1/50



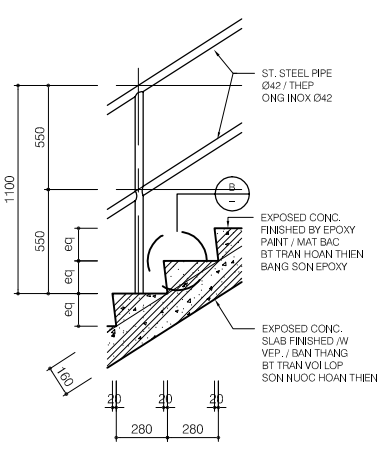
SECTION A-A
SCALE: 1/50



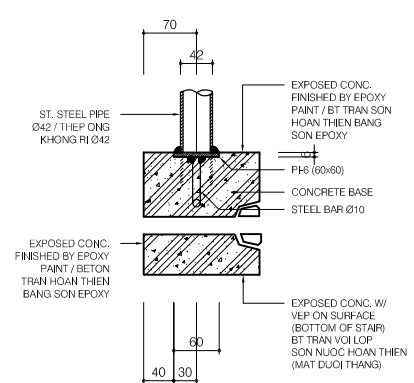
FLOOR PLAN (S02)
SCALE: 1/50



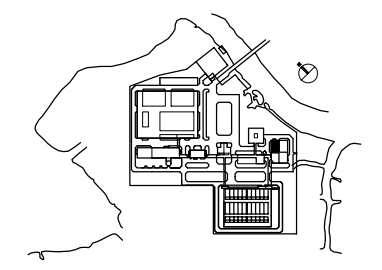
SECTION B-B
SCALE: 1/50



DETAIL A
SCALE: 1/20



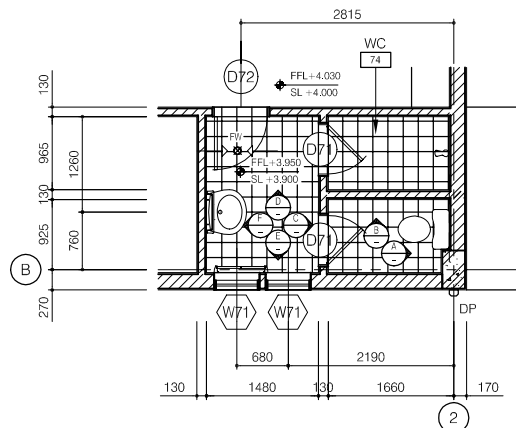
DETAIL B
SCALE: 1/20



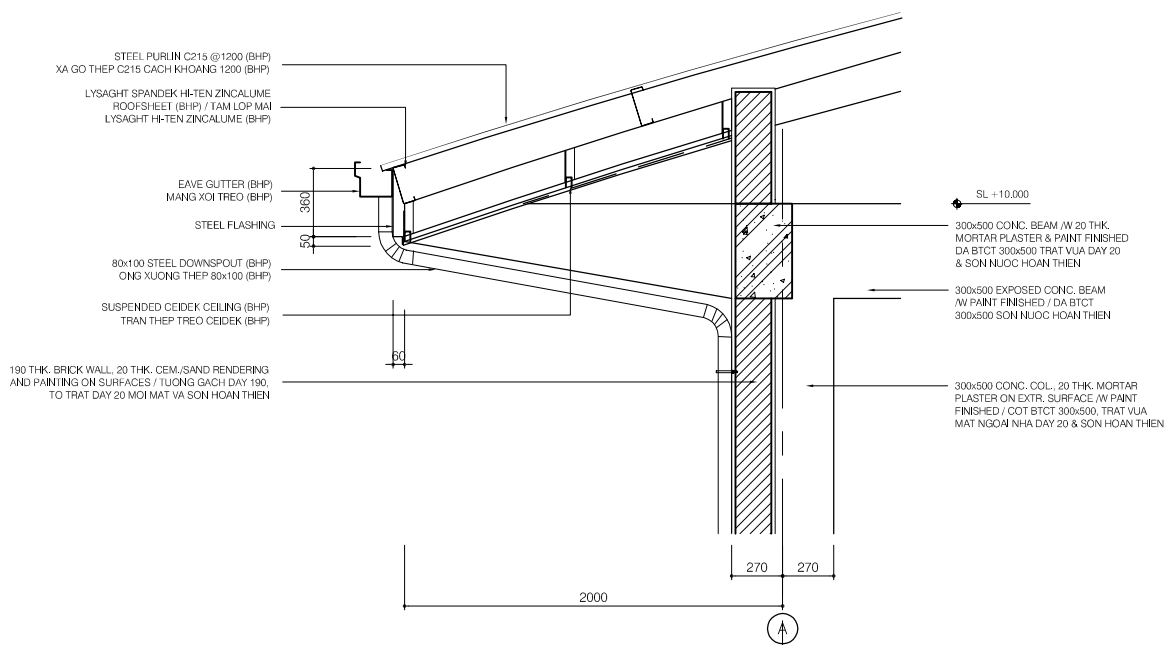
NO.	DATE	DESCRIPTIONS	BY	APPRO.

REVISIONS				
PROJECT MANAGEMENT UNIT FOR HO CHI MINH CITY WATER ENVIRONMENT IMPROVEMENT				
THE DETAILED DESIGN STUDY ON HO CHI MINH CITY WATER ENVIRONMENT IMPROVEMENT PROJECT IN THE SOCIALIST REPUBLIC OF VIET NAM				
PACKAGE E WASTEWATER TREATMENT PLANT CHLORINE STORAGE BUILDING STAIR DETAILS				

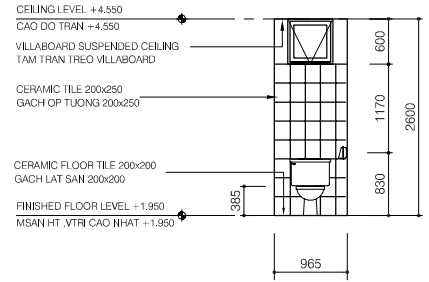
SCALE : 1/100	
JICA JAPAN INTERNATIONAL COOPERATION AGENCY (JICA)	
PACIFIC CONSULTANTS INTERNATIONAL	
DESIGNED KIKUTA HIROSHI	CHECKED KONDO MASAMI
DATE : JUNE 2001	DWG. No. PE-WWTP-301-06



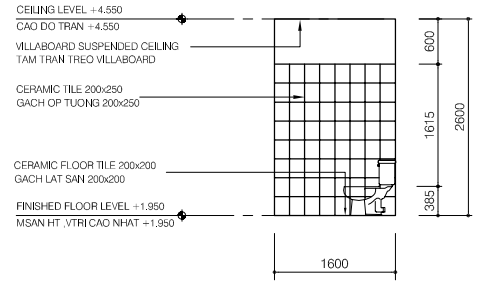
FLOOR PLAN - WC01
SCALE: 1/50



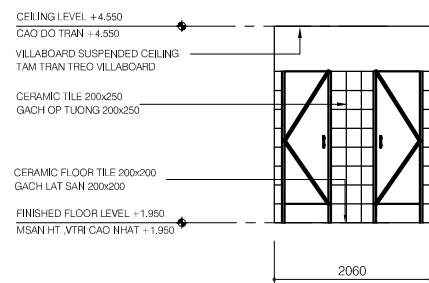
SECTION DETAIL R03
SCALE: 1/20



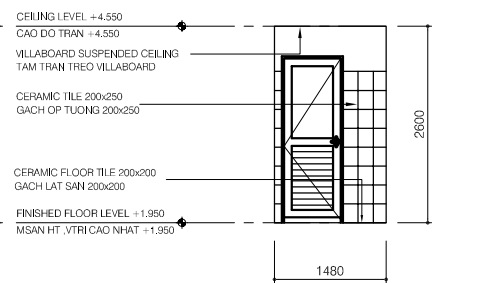
ELEVATION A
SCALE: 1/50



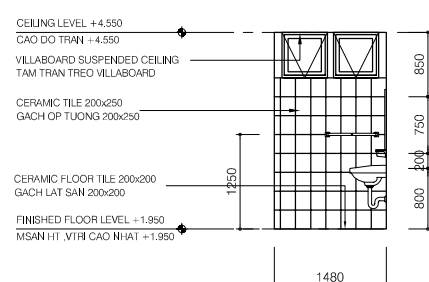
ELEVATION B
SCALE: 1/50



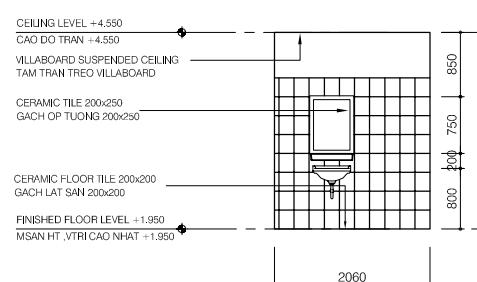
ELEVATION C
SCALE: 1/50



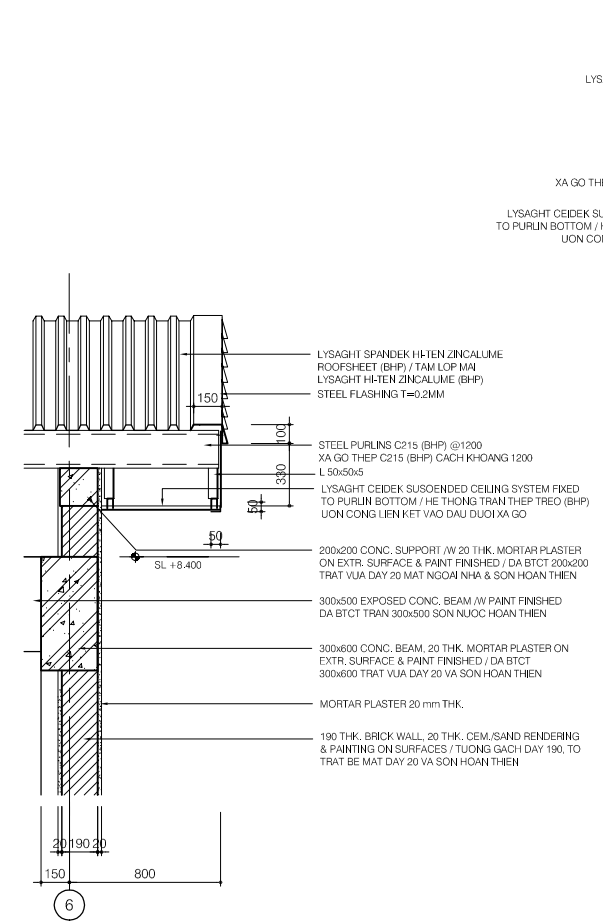
ELEVATION D
SCALE: 1/50



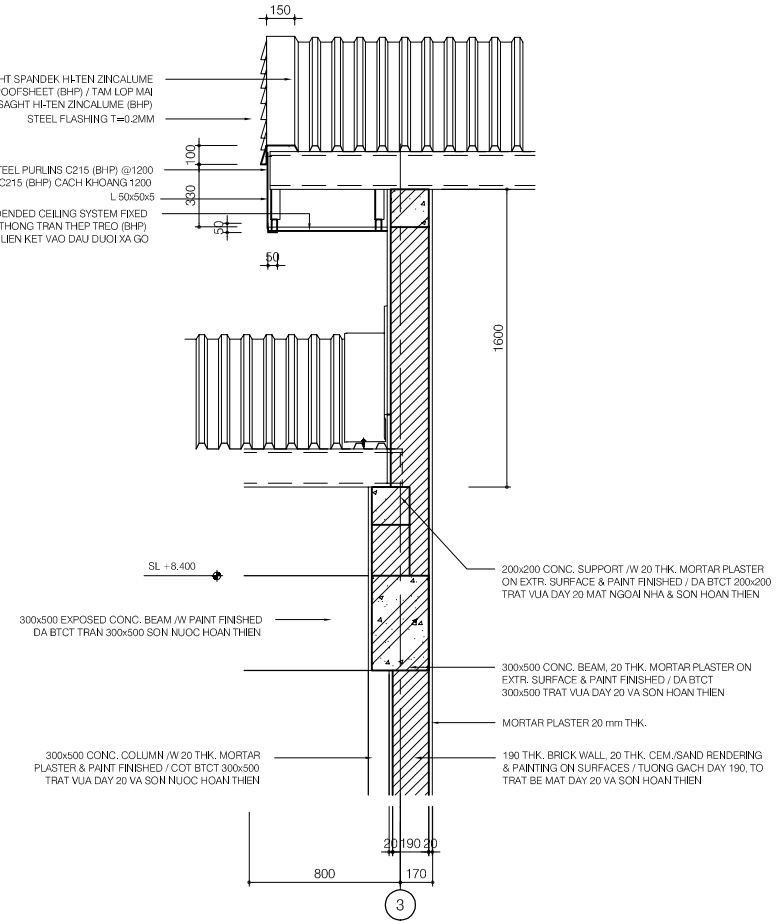
ELEVATION E
SCALE: 1/50



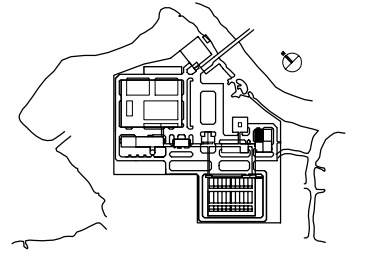
ELEVATION F
SCALE: 1/50



SECTION DETAIL R02
SCALE: 1/20



SECTION DETAIL R01
SCALE: 1/20



NO.	DATE	DESCRIPTIONS	BY	APRO.
REVISIONS				

PROJECT MANAGEMENT UNIT FOR
HO CHI MINH CITY
WATER ENVIRONMENT IMPROVEMENT

THE DETAILED DESIGN STUDY ON HO CHI MINH CITY
WATER ENVIRONMENT IMPROVEMENT PROJECT
IN THE SOCIALIST REPUBLIC OF VIET NAM

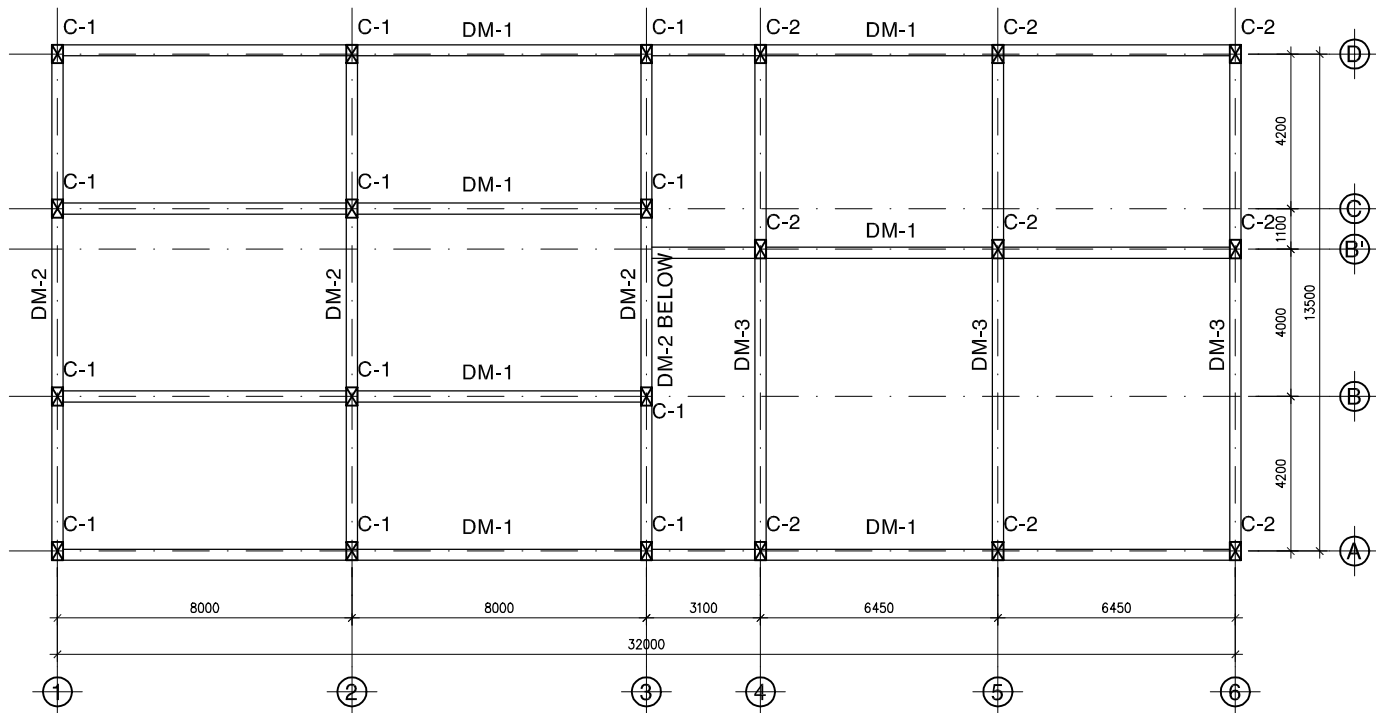
PACKAGE E
WASTEWATER TREATMENT PLANT
CHLORINE STORAGE BUILDING
DETAILS

SCALE: 1/100

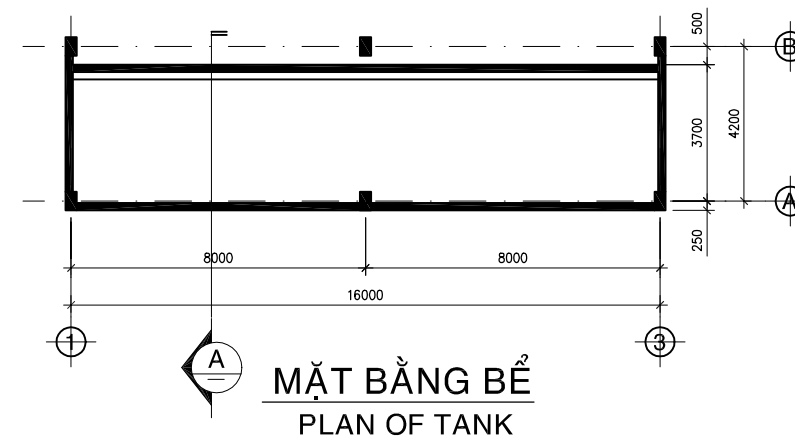
JICA JAPAN INTERNATIONAL COOPERATION AGENCY (JICA)

PACIFIC CONSULTANTS INTERNATIONAL

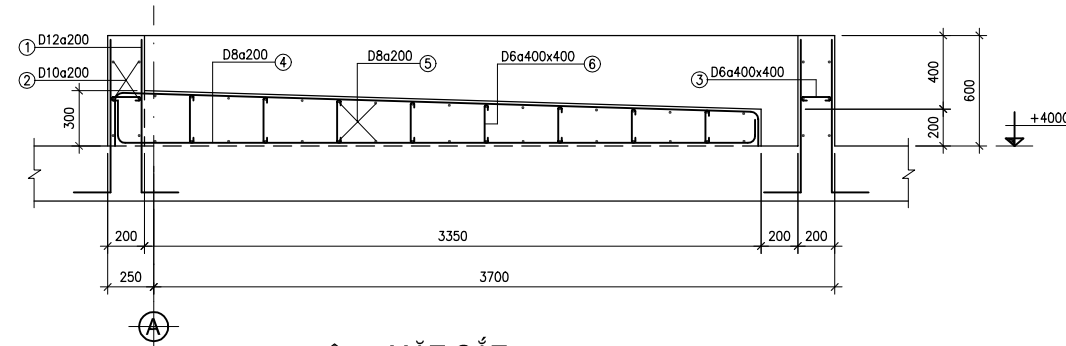
DESIGNED KIKUTA HIROSHI	CHECKED KONDO MASAMI
DATE: JUNE 2001	DWG. No. PE-WWTP-301-07



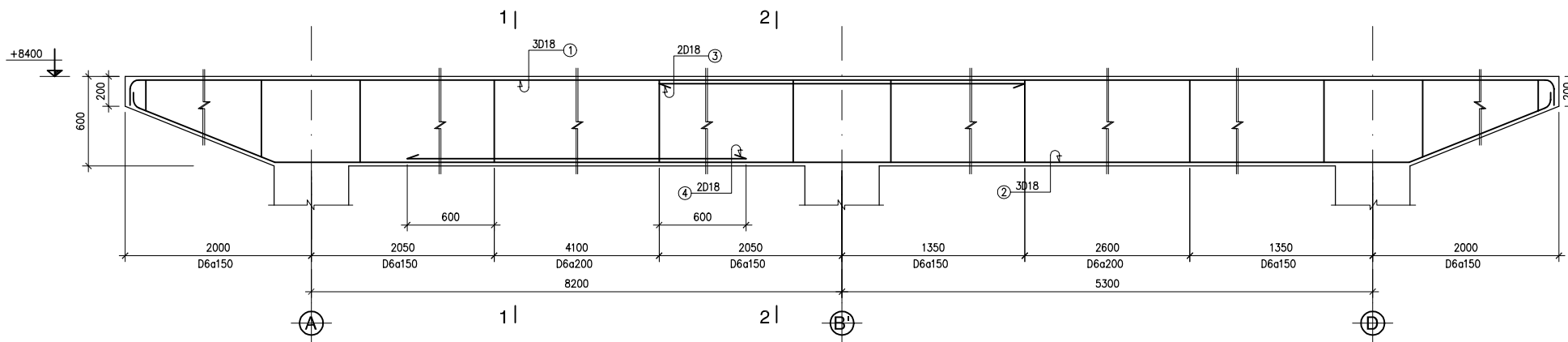
MẶT BẰNG CỘT & DẦM CAO ĐỘ +8400 & +10000
PLAN OF COLUMNS & BEAMS AT LEVEL +8400 & +10000



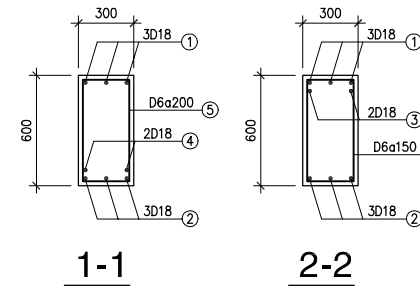
MẶT BẰNG BỂ
PLAN OF TANK



MẶT CẮT SECTION

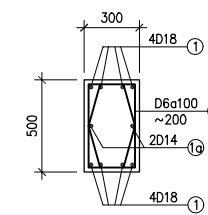


DM-3 (300x600)
(3 PCS, L=17500)

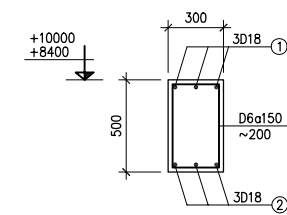


1-1

2-2



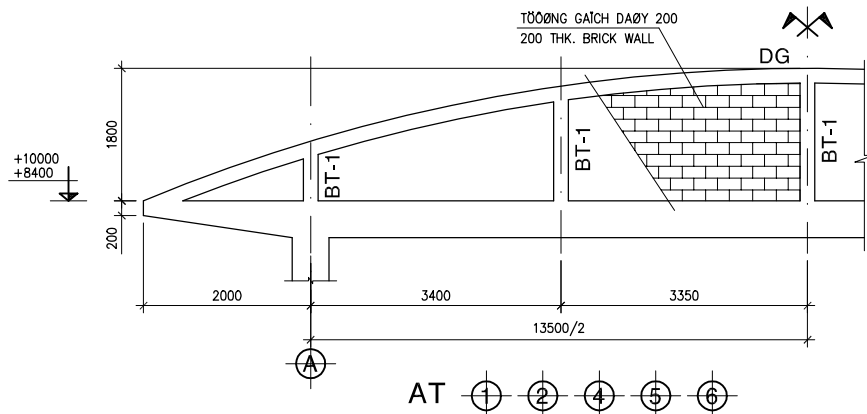
C-1 (300x500)
(12 PCS, +4000~+10000)



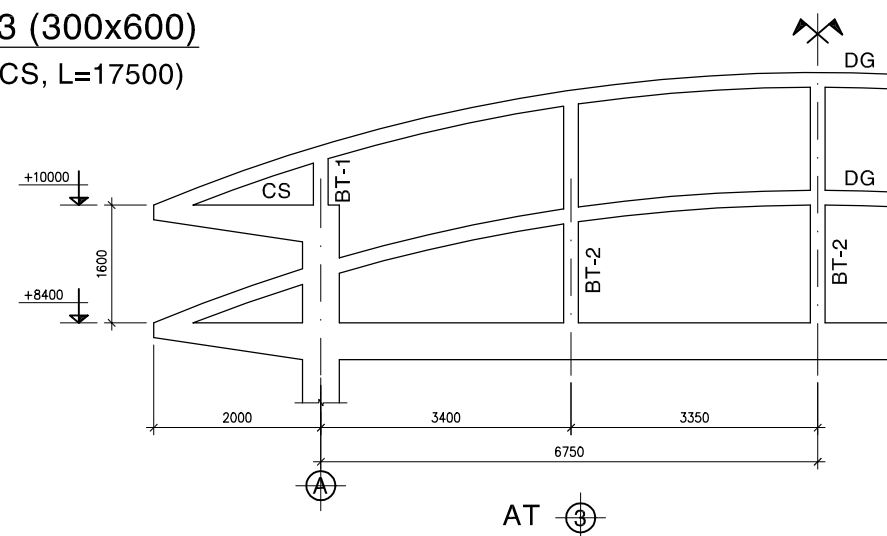
DM-1 (300x500)
(7 PCS, L=16300)

C-2 (300x500)
(9 PCS, +4000~+8400)

DM-2 (300x500)
(4 PCS, L=17500)



CHI TIẾT TƯỜNG XÂY HỒI
ROOF WALL DETAIL



GHI CHÚ :
 BÊ TÔNG MẠC 300, RÀO 10x20
 COÁT THÉP : D<10 All R_a=2300 kG/cm²
 10<=D<16 All R_a=2800 kG/cm²
 D>=16 All R_a=3600 kG/cm²

NOTES :
 CONCRETE GRADE 300, STONE 10x20
 REINFORCEMENT : D<10 All R_a=2300 kG/cm²
 10<=D<16 All R_a=2800 kG/cm²
 D>=16 All R_a=3600 kG/cm²

NO.	DATE	DESCRIPTIONS	BY	APRO.
-----	------	--------------	----	-------

REVISIONS

PROJECT MANAGEMENT UNIT FOR
 HO CHI MINH CITY
 WATER ENVIRONMENT IMPROVEMENT

THE DETAILED DESIGN STUDY ON HO CHI MINH CITY
 WATER ENVIRONMENT IMPROVEMENT PROJECT
 IN THE SOCIALIST REPUBLIC OF VIET NAM

PACKAGE E
 WASTEWATER TREATMENT PLANT
 CHLORINE STORAGE
 BUILDING
 PLAN & DETAIL OF ROOF BEAMS

SCALE : N.T.S

JICA JAPAN INTERNATIONAL COOPERATION
 AGENCY (JICA)

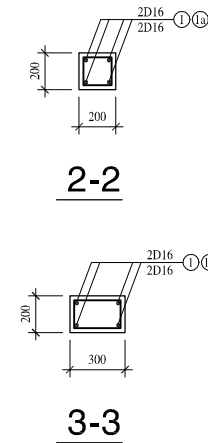
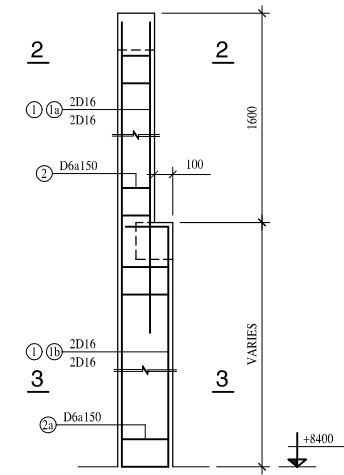
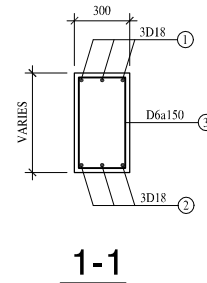
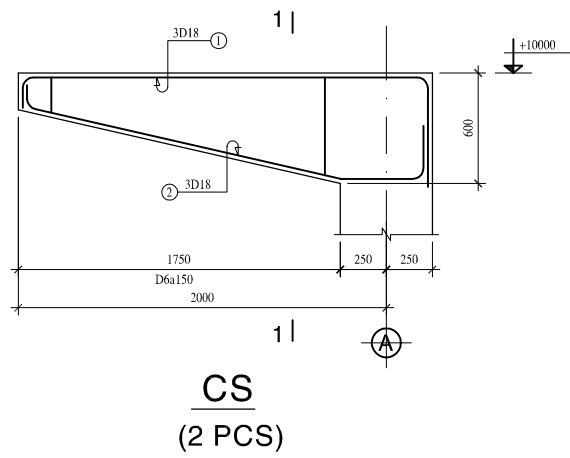
PACIFIC CONSULTANTS INTERNATIONAL

DESIGNED
 KIKUTA HIROSHI

CHECKED
 KONDO MASAMI

DATE : JUNE 2001 DWG. No. PE-WWTP-301-08

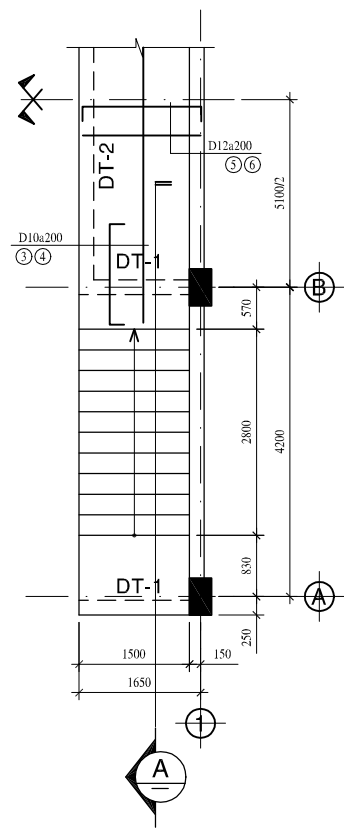
BT-1 (200x200)
(27 PCS)
DG (200x200)
(7 PCS)



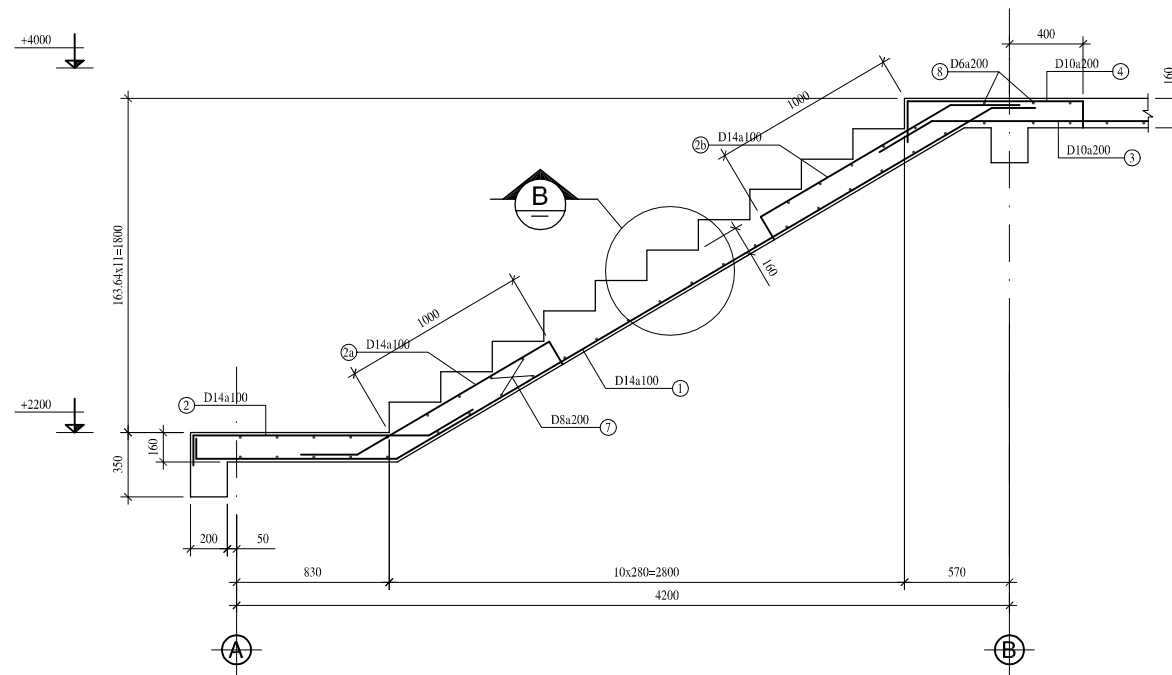
BT-2
(3 PCS)

↑ ROOF STRUCTURE DETAILS (SEE DRAWING PE-WWTP-301-08)

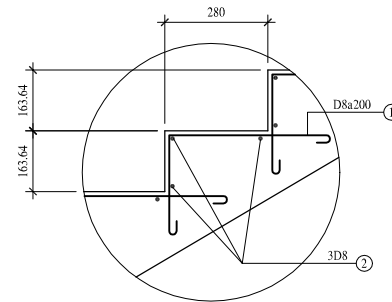
↓ DETAIL OF STAIRCASE AT GRID 1



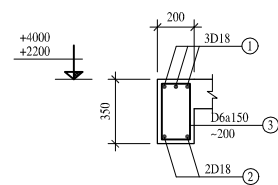
MẶT BẰNG CẦU THANG
PLAN OF STAIRCASE



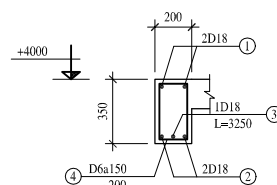
MẶT CẮT SECTION



CHI TIẾT DETAIL



DT-1 (200x350)
(2 PCS, L=1800)



DT-2 (200x350)
(1 PCS, L=1800)

GHI CHÚ :	NOTES :
BÊ TÔNG MẮC 300, ĐÁ 10x20	CONCRETE GRADE 300, STONE 10x20
CỐT THÉP : D<10 AI Ra=2300 kG/cm ²	REINFORCEMENT : D<10 AI Ra=2300 kG/cm ²
10<=D<16 AIII Ra=2800 kG/cm ²	10<=D<16 AIII Ra=2800 kG/cm ²
D>=16 AIII Ra=3600 kG/cm ²	D>=16 AIII Ra=3600 kG/cm ²

NO.	DATE	DESCRIPTIONS	BY	APPRO.

REVISIONS

PROJECT MANAGEMENT UNIT FOR
HO CHI MINH CITY
WATER ENVIRONMENT IMPROVEMENT

THE DETAILED DESIGN STUDY ON HO CHI MINH CITY
WATER ENVIRONMENT IMPROVEMENT PROJECT
IN THE SOCIALIST REPUBLIC OF VIET NAM

PACKAGE E
WASTEWATER TREATMENT PLANT
CHLORINE STORAGE
BUILDING
DETAIL OF BRACING BEAMS & STAIR

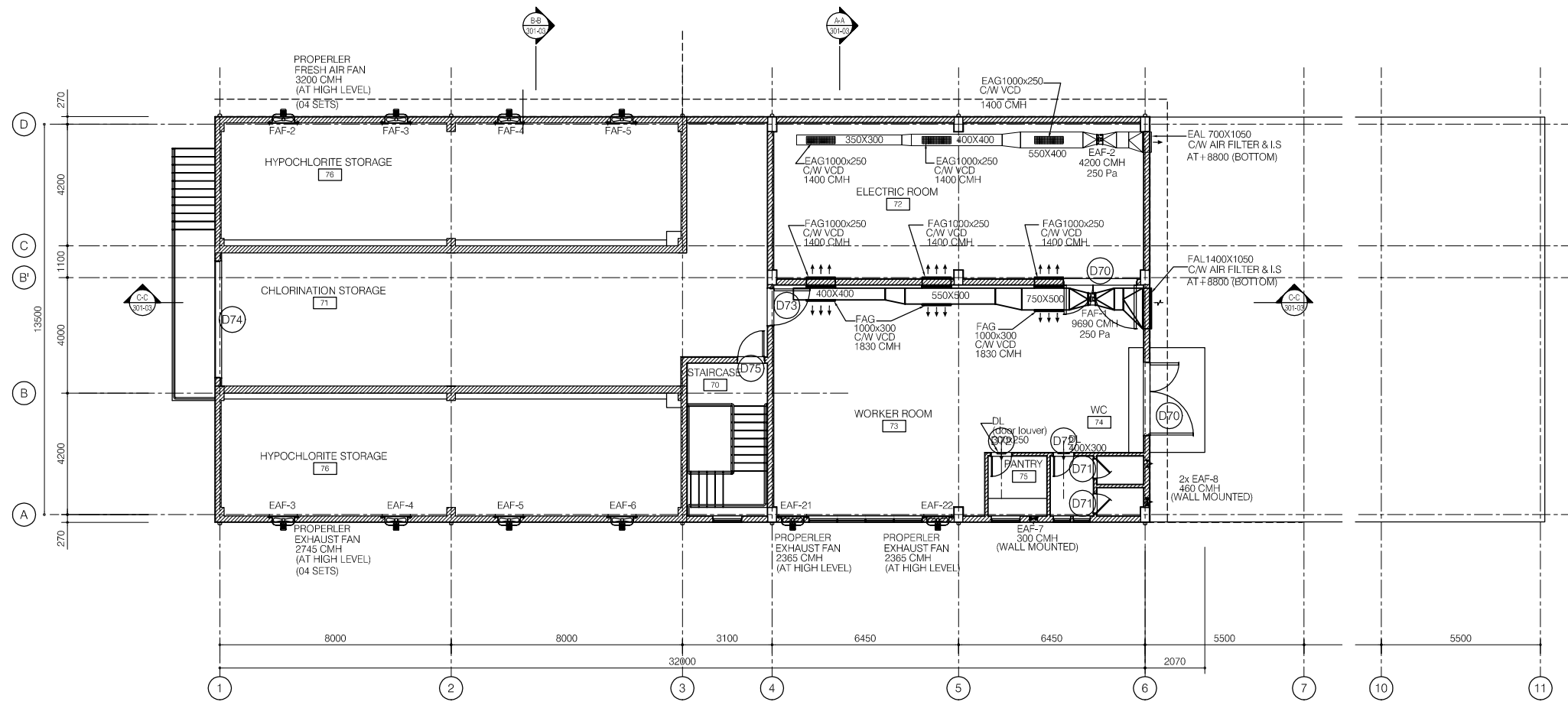
SCALE : N.T.S

JAPAN INTERNATIONAL COOPERATION
AGENCY (JICA)

PACIFIC CONSULTANTS INTERNATIONAL

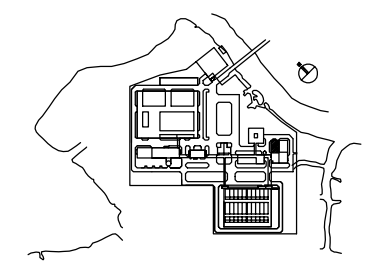
DESIGNED KIKUTA HIROSHI	CHECKED KONDO MASAMI
----------------------------	-------------------------

DATE : JUNE 2001 DWG. No. PE-WWTP-301-09



FIRST FLOOR PLAN
SCALE : 1/100

- LEGEND :**
- EAG EXHAUST AIR GRILLE
 - EAF EXHAUST AIR FAN
 - EAL EXHAUST AIR LOUVRE
 - FAL FRESH AIR LOUVRE
 - W/ WITH
 - AXIAL FAN
 - WALL MOUNTED FAN
 - NON INSULATION
 - INTERNAL INSULATION 25mm THK



NO.	DATE	DESCRIPTIONS	BY	APRO.
-----	------	--------------	----	-------

REVISIONS

PROJECT MANAGEMENT UNIT FOR
HO CHI MINH CITY
WATER ENVIRONMENT IMPROVEMENT

THE DETAILED DESIGN STUDY ON HO CHI MINH CITY
WATER ENVIRONMENT IMPROVEMENT PROJECT
IN THE SOCIALIST REPUBLIC OF VIET NAM

PACKAGE E
WASTEWATER TREATMENT PLANT
CHLORINE STORAGE BUILDING
FIRST FLOOR PLAN
MECHANICAL PLAN

SCALE : 1/100

JAPAN INTERNATIONAL COOPERATION AGENCY (JICA)

PACIFIC CONSULTANTS INTERNATIONAL

DESIGNED KIKUTA HIROSHI	CHECKED KONDO MASAMI
----------------------------	-------------------------

DATE : JUNE 2001 DWG. No. PE-WWTP-301-10