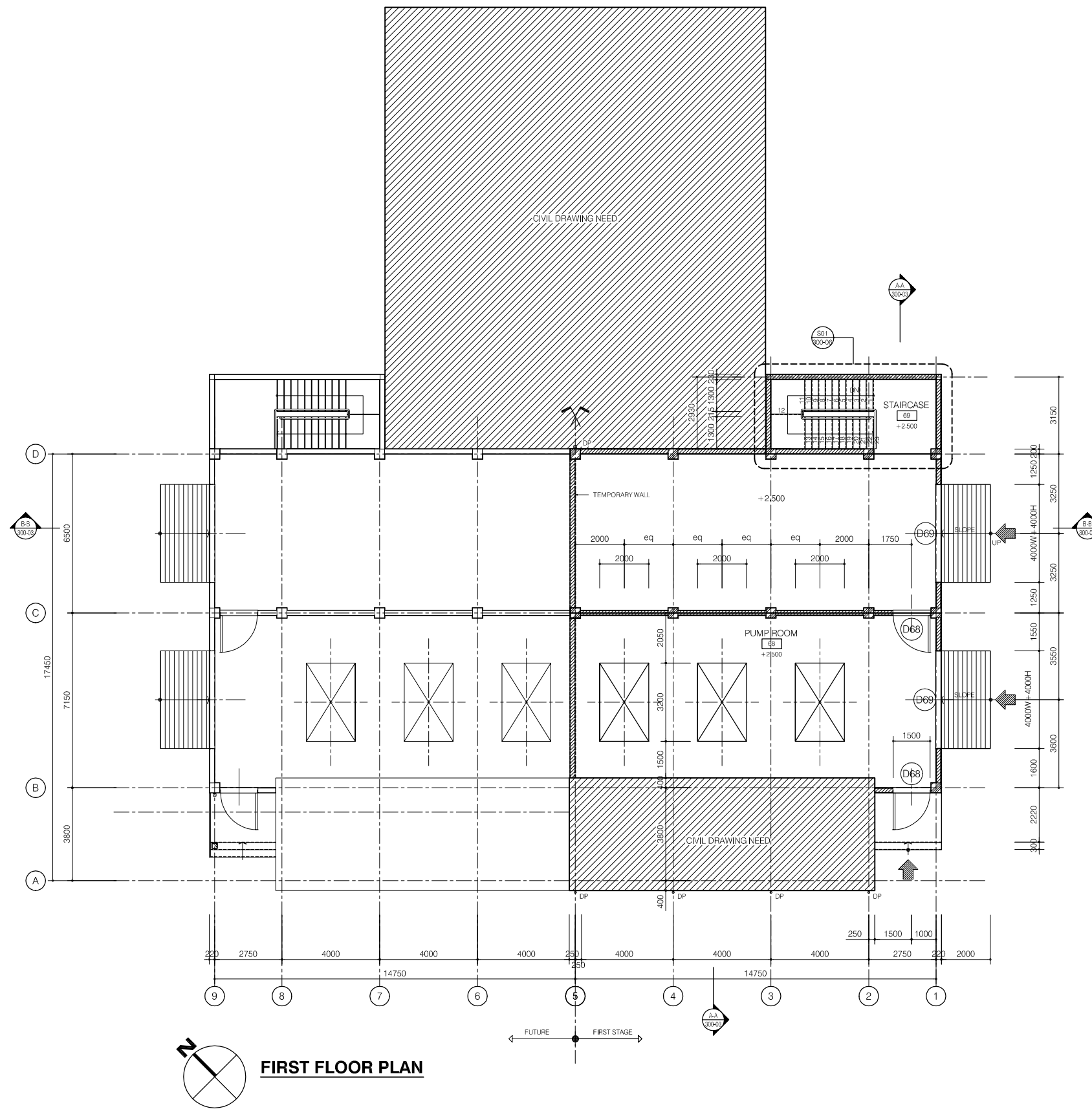
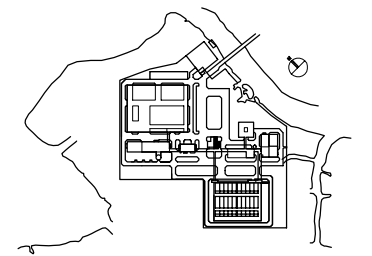


Lift pumping station



LEGEND

- 190mm THK. BRICK WALL, 20THK CEM./SAND RENDERING ON SURFACE / TUONG GACH DAY 190mm. TRAT VUA DAY 20 MOI MAT
- 90mm THK. BRICK WALL, 20THK CEM./SAND RENDERING ON SURFACE / TUONG GACH DAY 90mm. TRAT VUA DAY 20 MOI MAT
- TEMPORARY WALL



NO.	DATE	DESCRIPTIONS	BY	APRO.

REVISIONS

PROJECT MANAGEMENT UNIT FOR
HO CHI MINH CITY
WATER ENVIRONMENT IMPROVEMENT

THE DETAILED DESIGN STUDY ON HO CHI MINH CITY
WATER ENVIRONMENT IMPROVEMENT PROJECT
IN THE SOCIALIST REPUBLIC OF VIET NAM

PACKAGE E
WASTEWATER TREATMENT PLANT

**LIFT PUMPING STATION
FIRST FLOOR PLAN**

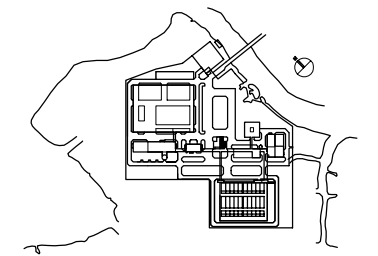
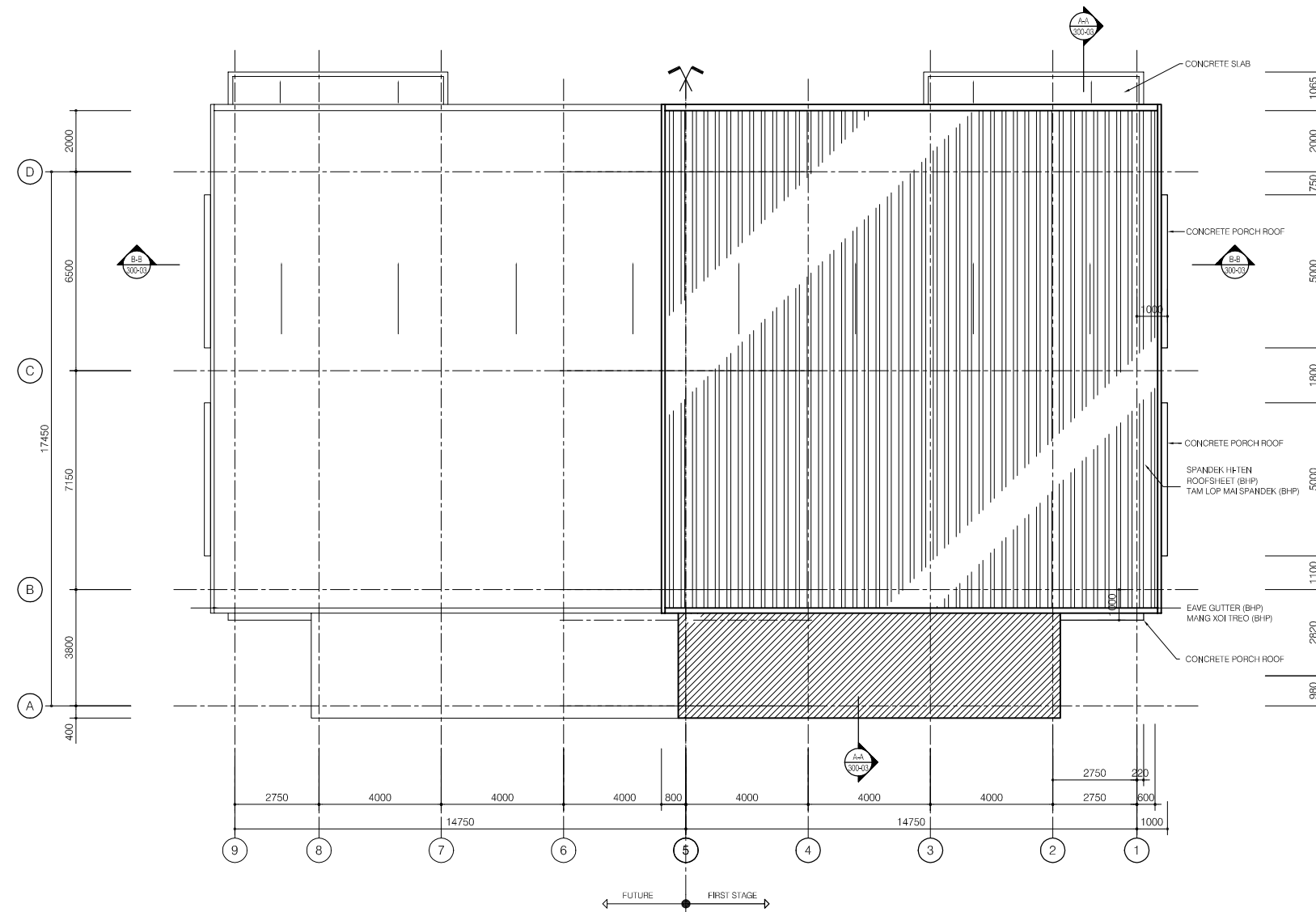
SCALE : 1/100

JAPAN INTERNATIONAL COOPERATION AGENCY (JICA)

PACIFIC CONSULTANTS INTERNATIONAL

DESIGNED KIKUTA HIROSHI	CHECKED KONDO MASAMI
-----------------------------------	--------------------------------

DATE : JUNE 2001	DWG. No. PE-WWTP-300-01
------------------	-------------------------



NO.	DATE	DESCRIPTIONS	BY	APPRO.

REVISIONS

PROJECT MANAGEMENT UNIT FOR
HO CHI MINH CITY
WATER ENVIRONMENT IMPROVEMENT

THE DETAILED DESIGN STUDY ON HO CHI MINH CITY
WATER ENVIRONMENT IMPROVEMENT PROJECT
IN THE SOCIALIST REPUBLIC OF VIET NAM

PACKAGE E
WASTEWATER TREATMENT PLANT
LIFT PUMPING STATION
ROOF PLAN

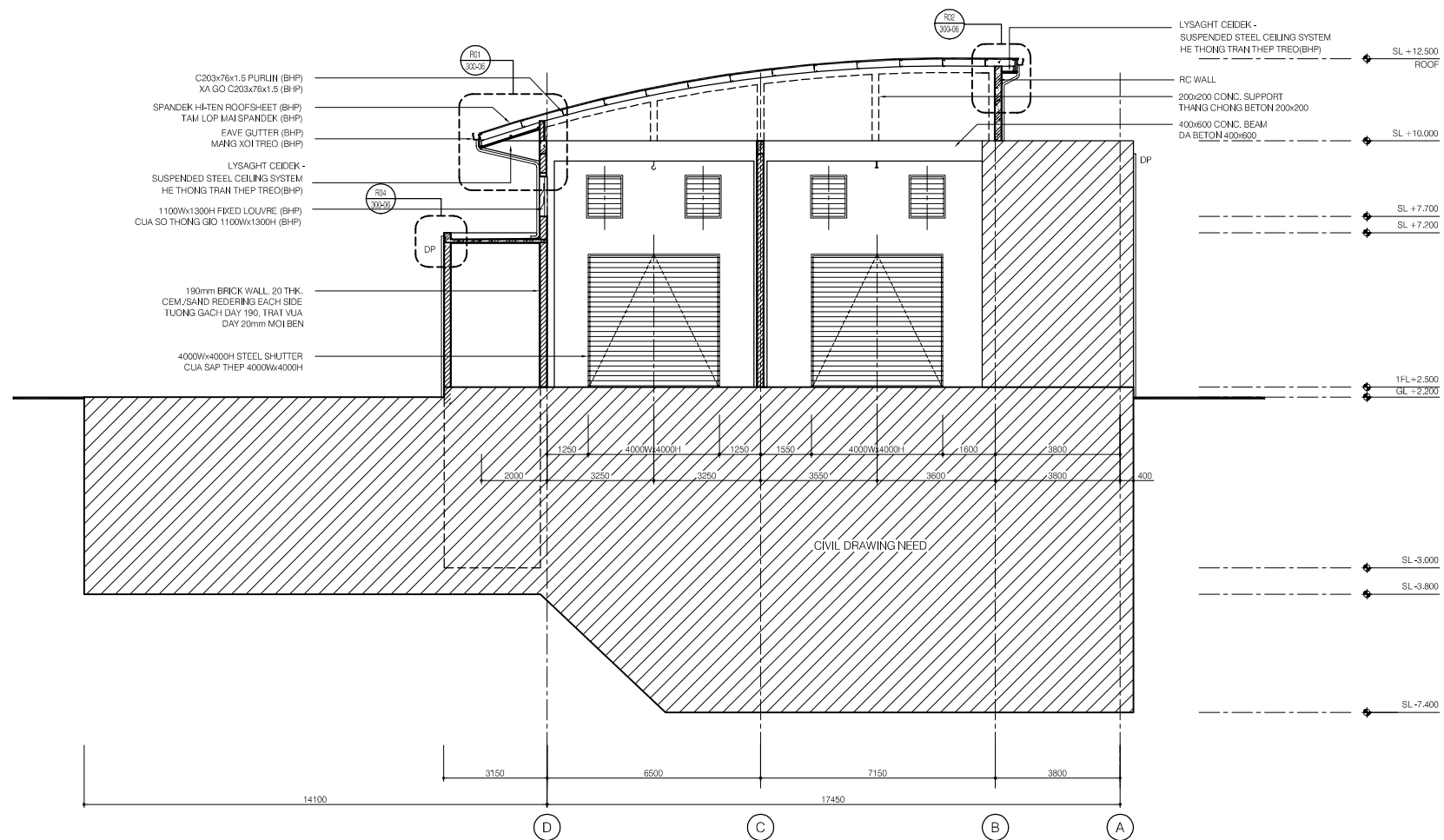
SCALE : 1/100

JAPAN INTERNATIONAL COOPERATION AGENCY (JICA)

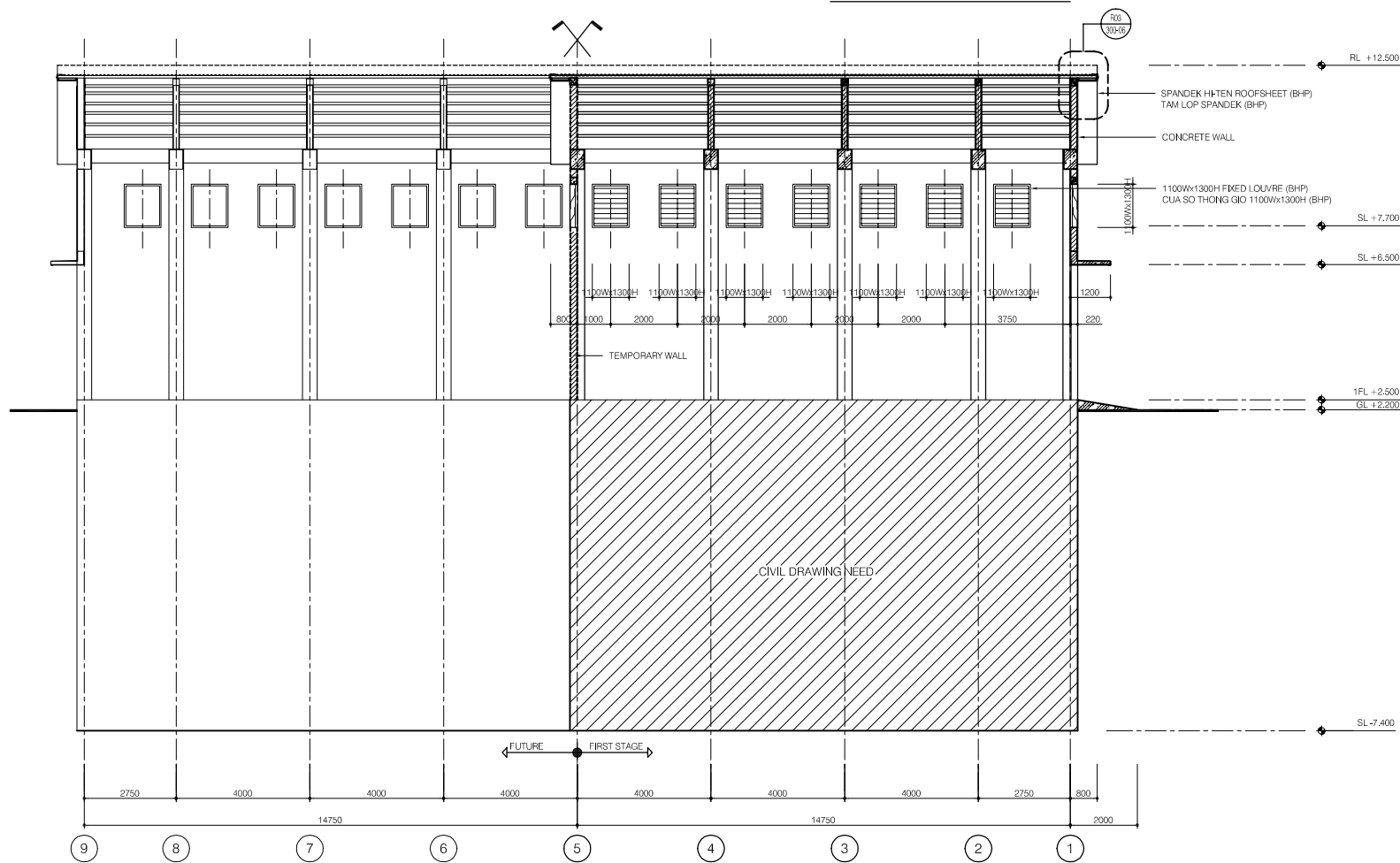
PACIFIC CONSULTANTS INTERNATIONAL

DESIGNED KIKUTA HIROSHI	CHECKED KONDO MASAMI
----------------------------	-------------------------

DATE : JUNE 2001 DWG. No. PE-WWTP-300-02



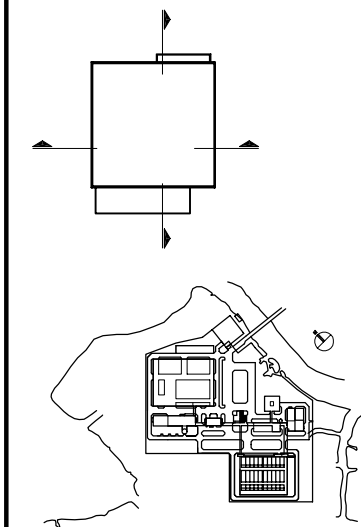
CROSS SECTION A-A



LONGITUDINAL SECTION B-B

LEGEND

- 190mm THK. BRICK WALL, 20THK CEM./SAND RENDERING ON SURFACE / TUONG GACH DAY 190mm, TRAT VUA DAY 20 MOI MAT
- 90mm THK. BRICK WALL, 20THK CEM./SAND RENDERING ON SURFACE / TUONG GACH DAY 90mm, TRAT VUA DAY 20 MOI MAT
- TEMPORARY WALL



NO.	DATE	DESCRIPTIONS	BY	APRO.

REVISIONS

PROJECT MANAGEMENT UNIT FOR
HO CHI MINH CITY
WATER ENVIRONMENT IMPROVEMENT

THE DETAILED DESIGN STUDY ON HO CHI MINH CITY
WATER ENVIRONMENT IMPROVEMENT PROJECT
IN THE SOCIALIST REPUBLIC OF VIET NAM

PACKAGE E
WASTEWATER TREATMENT PLANT
LIFT PUMPING STATION
CROSS SECTION A-A
LONGITUDINAL SECTION B-B

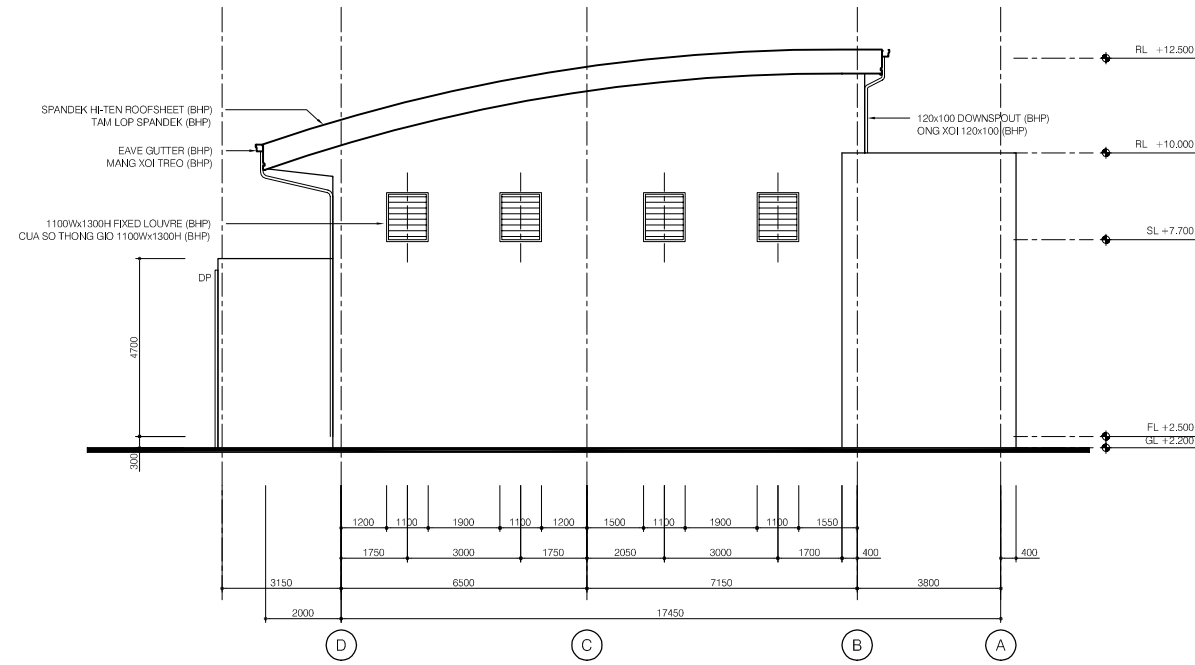
SCALE : 1/100

JAPAN INTERNATIONAL COOPERATION
AGENCY (JICA)

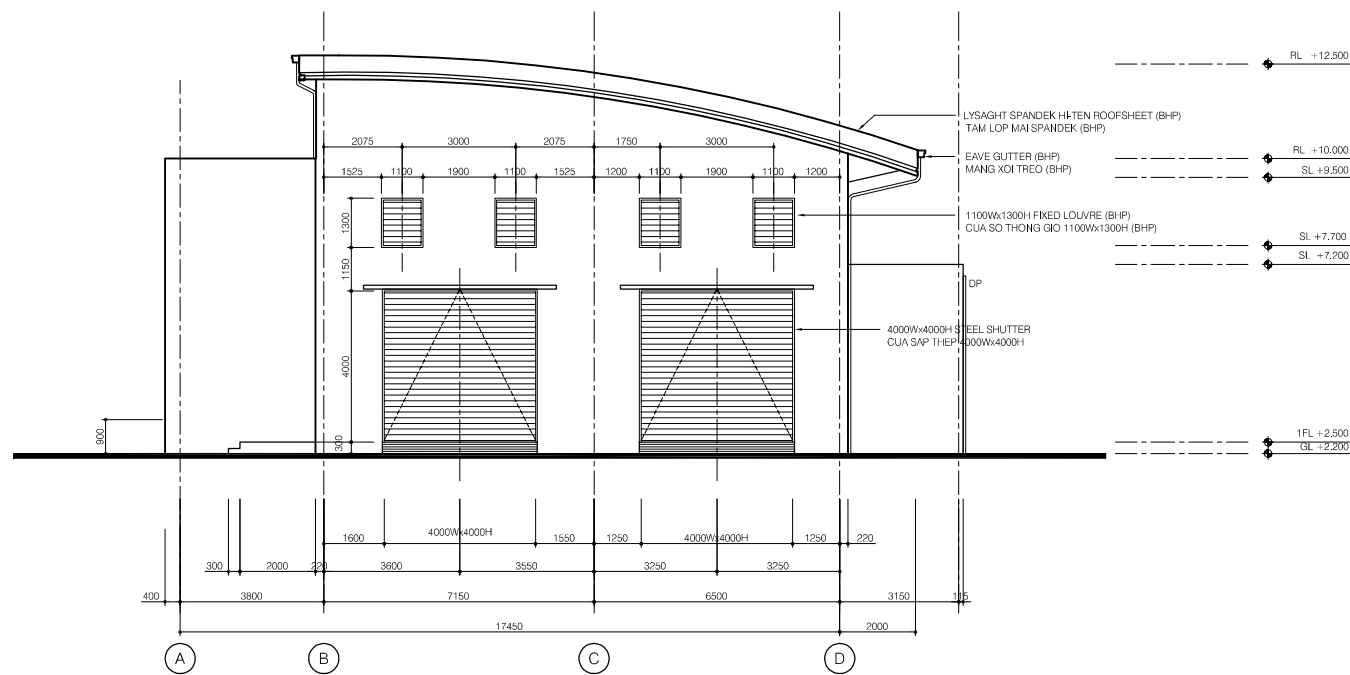
PACIFIC CONSULTANTS INTERNATIONAL

DESIGNED KIKUTA HIROSHI	CHECKED KONDO MASAMI
----------------------------	-------------------------

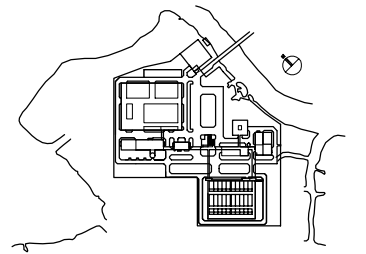
DATE : JUNE 2001 DWG. No. PE-WWTP-300-03



ELEVATION LINE 5



ELEVATION LINE 1



NO.	DATE	DESCRIPTIONS	BY	APRO.
-----	------	--------------	----	-------

REVISIONS

PROJECT MANAGEMENT UNIT FOR
HO CHI MINH CITY
WATER ENVIRONMENT IMPROVEMENT

THE DETAILED DESIGN STUDY ON HO CHI MINH CITY
WATER ENVIRONMENT IMPROVEMENT PROJECT
IN THE SOCIALIST REPUBLIC OF VIET NAM

PACKAGE E
WASTEWATER TREATMENT PLANT

LIFT PUMPING STATION
ELEVATION LINE 1, 5

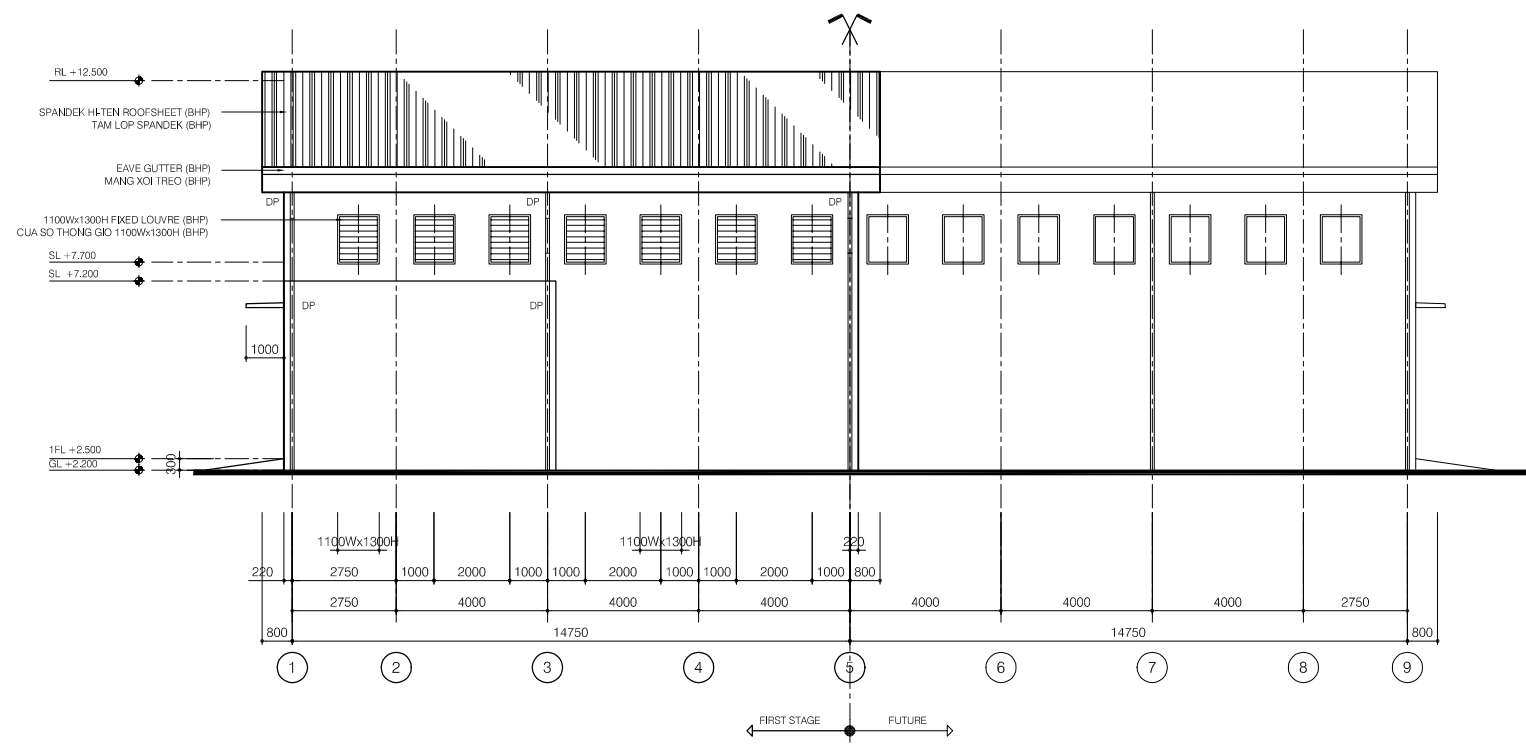
SCALE : 1/100

JAPAN INTERNATIONAL COOPERATION AGENCY (JICA)

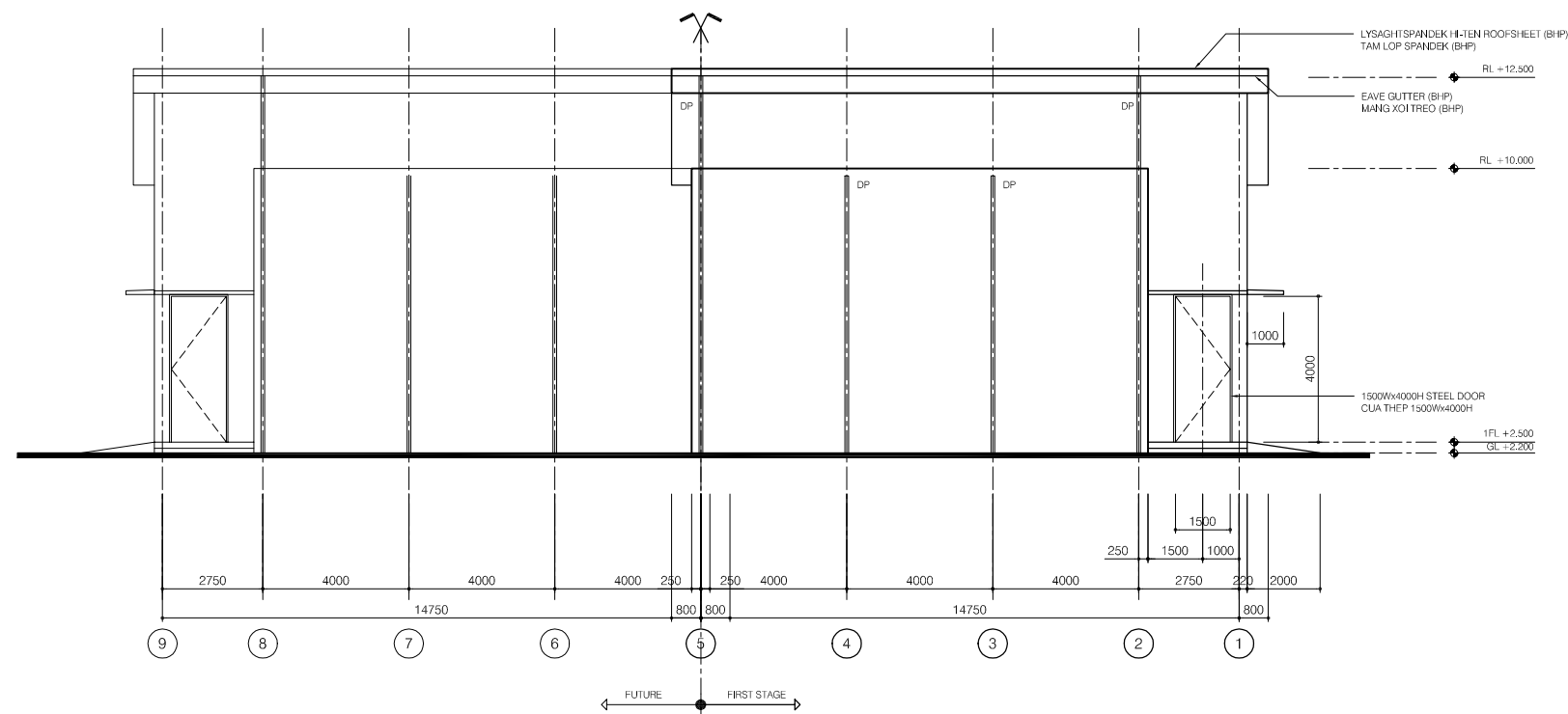
PACIFIC CONSULTANTS INTERNATIONAL

DESIGNED KIKUTA HIROSHI	CHECKED KONDO MASAMI
----------------------------	-------------------------

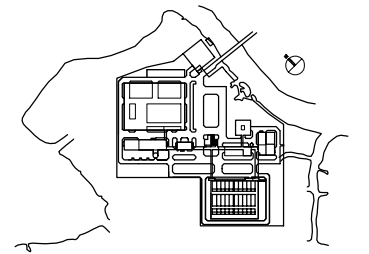
DATE : JUNE 2001 DWG. No. PE-WWTP-300-04



ELEVATION LINE D



ELEVATION LINE A



NO.	DATE	DESCRIPTIONS	BY	APPRO.
-----	------	--------------	----	--------

REVISIONS

PROJECT MANAGEMENT UNIT FOR
HO CHI MINH CITY
WATER ENVIRONMENT IMPROVEMENT

THE DETAILED DESIGN STUDY ON HO CHI MINH CITY
WATER ENVIRONMENT IMPROVEMENT PROJECT
IN THE SOCIALIST REPUBLIC OF VIET NAM

PACKAGE E
WASTEWATER TREATMENT PLANT

LIFT PUMPING STATION
ELEVATION LINE A, D

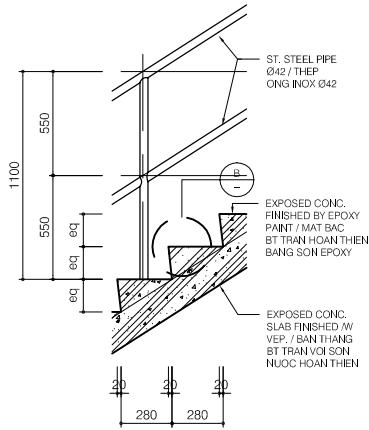
SCALE : 1/100

JICA JAPAN INTERNATIONAL COOPERATION
AGENCY (JICA)

PACIFIC CONSULTANTS INTERNATIONAL

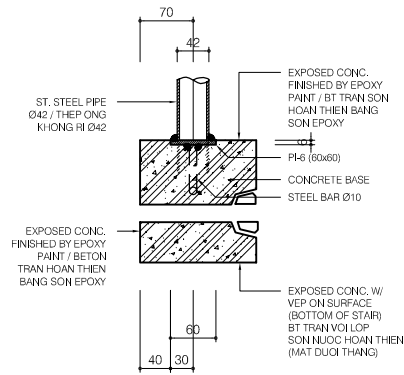
DESIGNED KIKUTA HIROSHI	CHECKED KONDO MASAMI
----------------------------	-------------------------

DATE : JUNE 2001 DWG. No. PE-WWTP-300-05



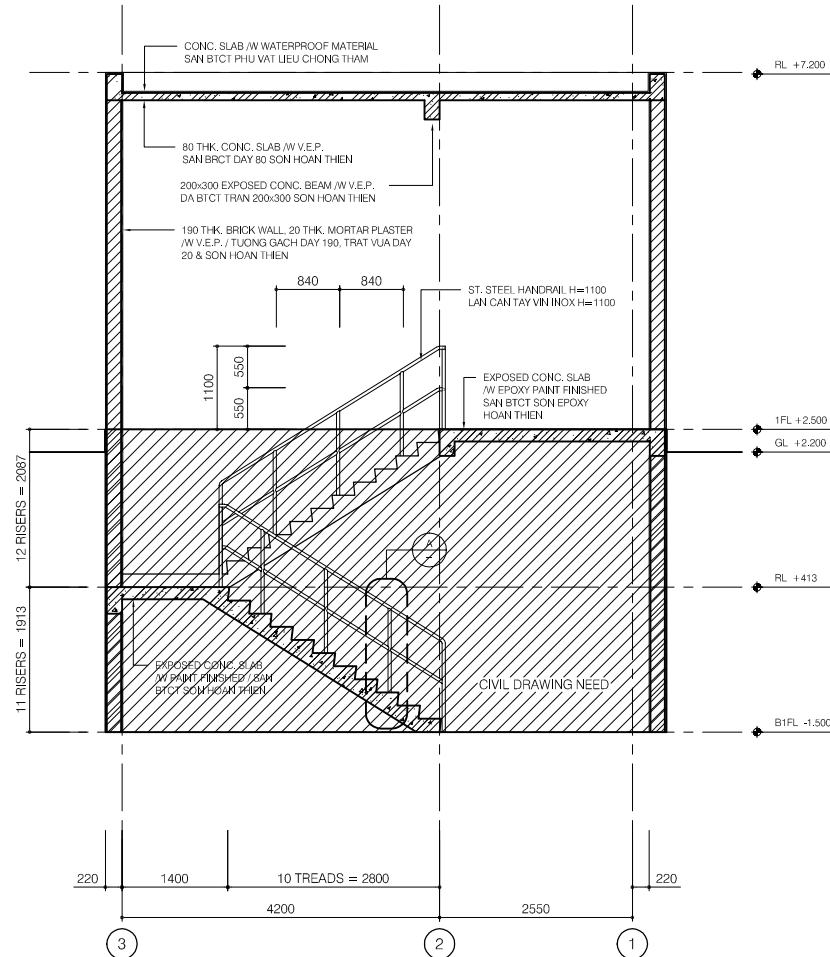
DETAIL A

SCALE : 1/5



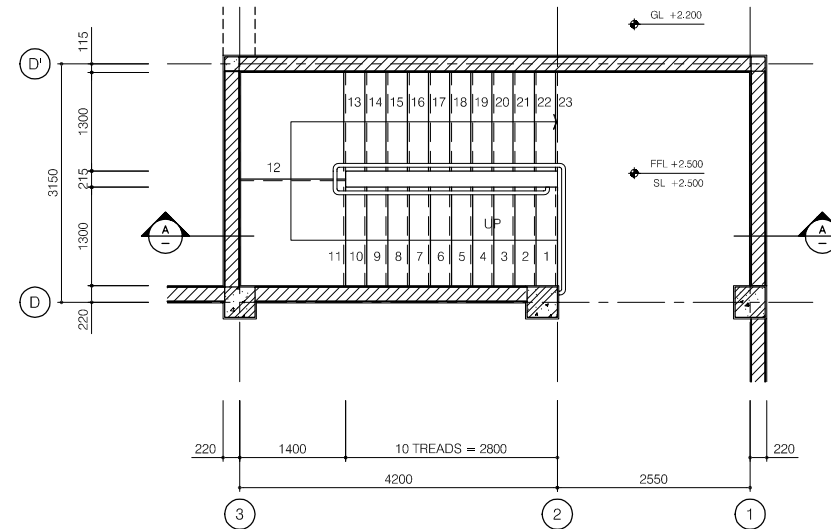
DETAIL B

SCALE : 1/5



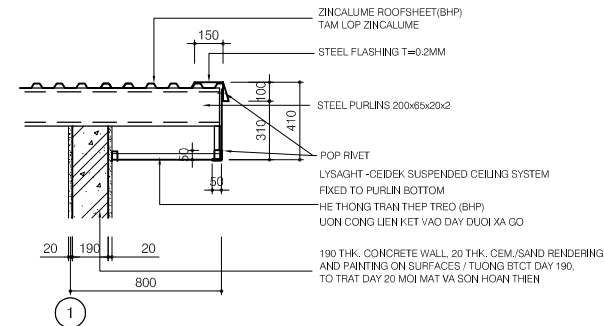
SECTION A-A

SCALE : 1/50



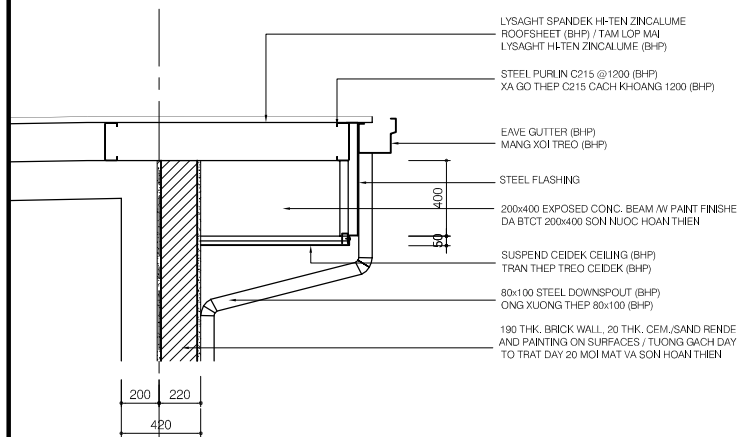
FLOOR PLAN (S01)

SCALE : 1/50



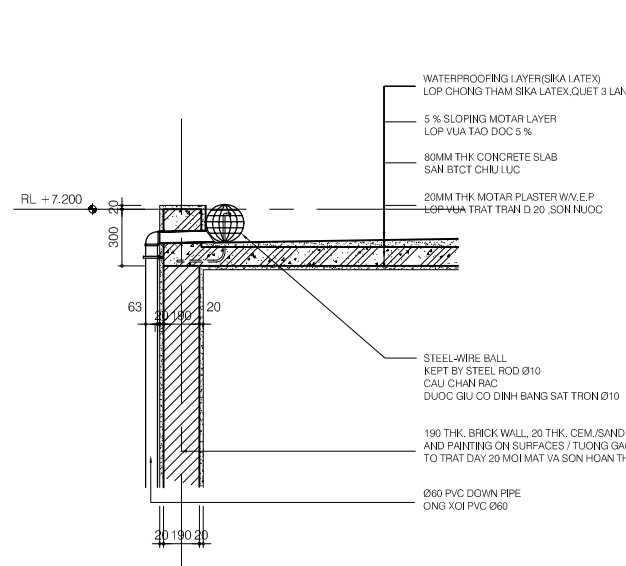
SECTION DETAIL - R03

SCALE : 1/20



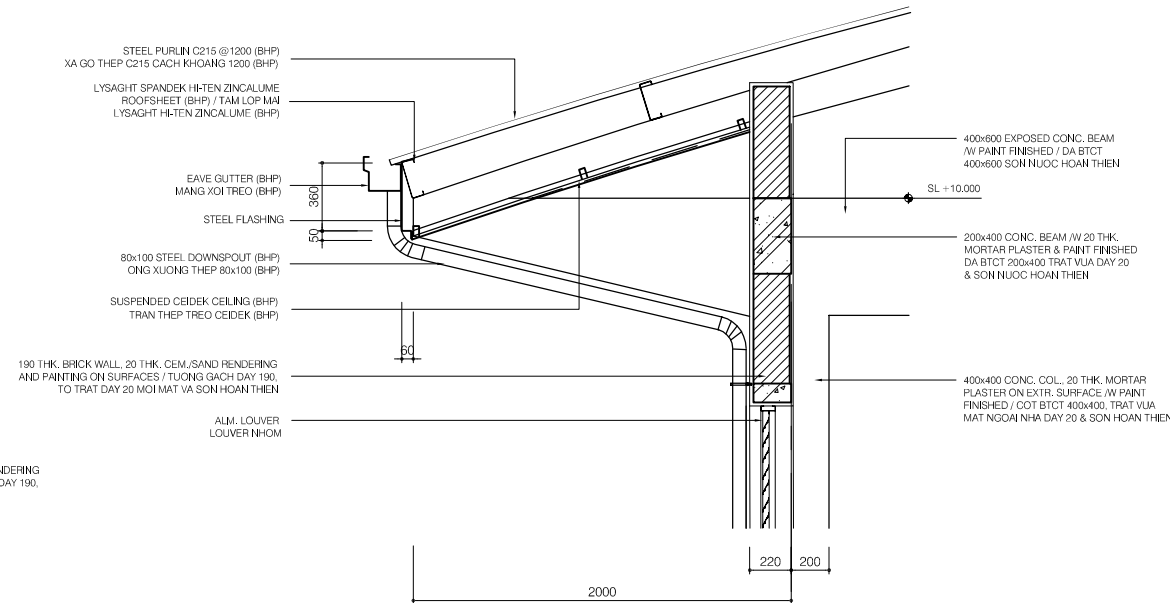
SECTION DETAIL - R02

SCALE : 1/20



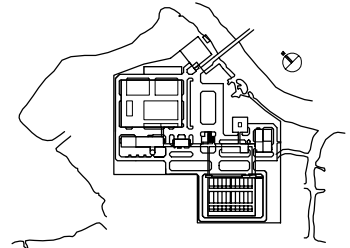
SECTION DETAIL - R04

SCALE : 1/20



SECTION DETAIL - R01

SCALE : 1/20



NO.	DATE	DESCRIPTIONS	BY	APRO.

REVISIONS

PROJECT MANAGEMENT UNIT FOR
HO CHI MINH CITY
WATER ENVIRONMENT IMPROVEMENT

THE DETAILED DESIGN STUDY ON HO CHI MINH CITY
WATER ENVIRONMENT IMPROVEMENT PROJECT
IN THE SOCIALIST REPUBLIC OF VIET NAM

PACKAGE E
WASTEWATER TREATMENT PLANT
LIFT PUMPING STATION
DETAILS

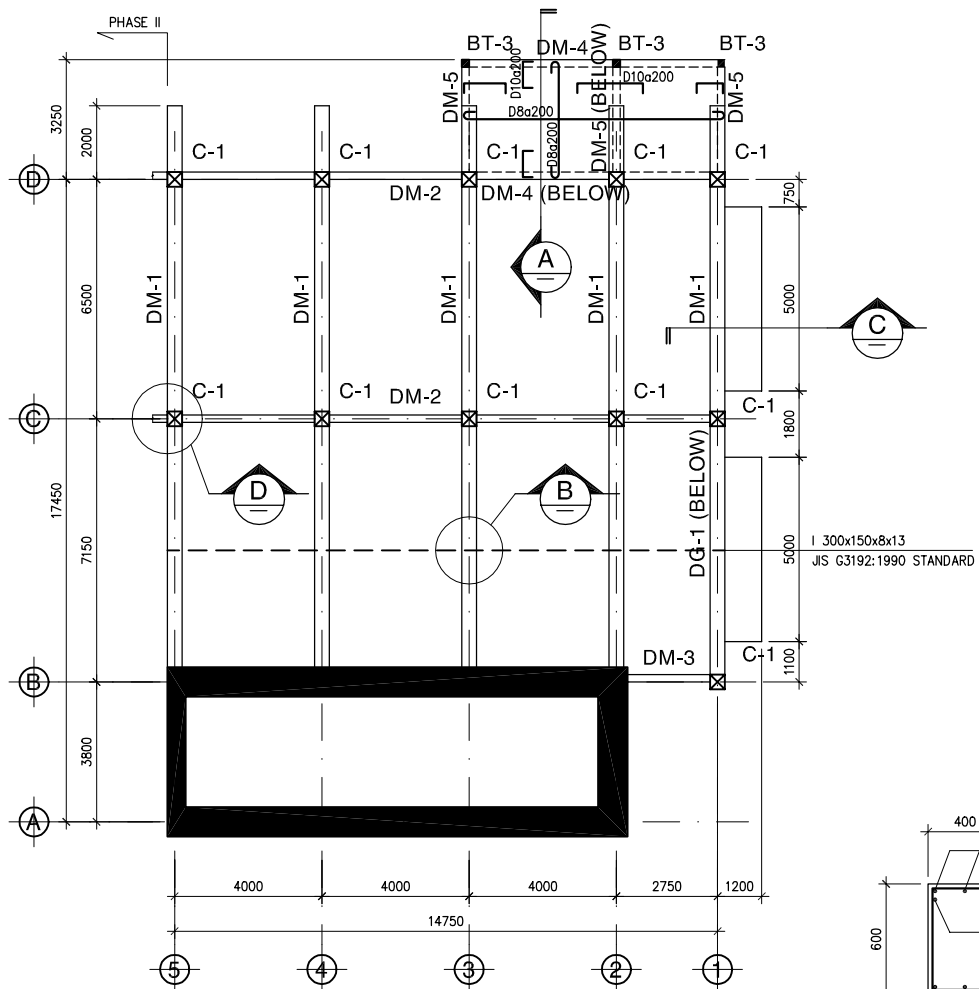
SCALE : 1/100

JICA JAPAN INTERNATIONAL COOPERATION
AGENCY (JICA)

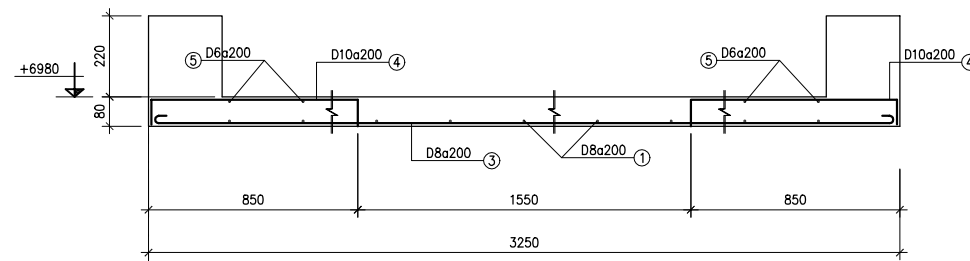
PACIFIC CONSULTANTS INTERNATIONAL

DESIGNED KIKUTA HIROSHI	CHECKED KONDO MASAMI
----------------------------	-------------------------

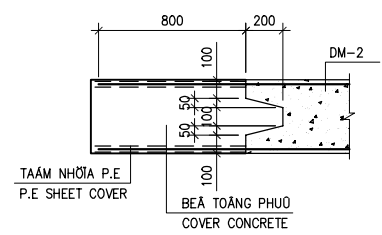
DATE : JUNE 2001 DWG. No. PE-WWTP-300-06



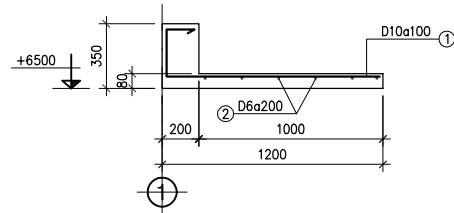
MẶT BẰNG CỘT & DẦM MÁI
PLAN OF COLUMNS & ROOF BEAMS



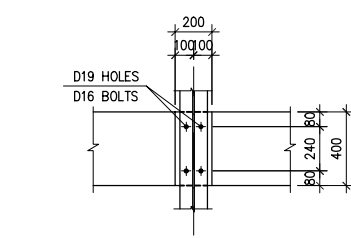
MẶT CẮT SECTION A



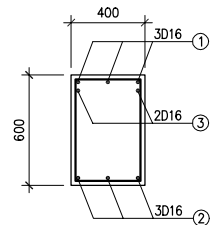
CHI TIẾT DETAIL D



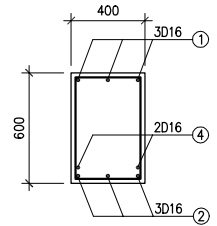
MẶT CẮT SECTION C



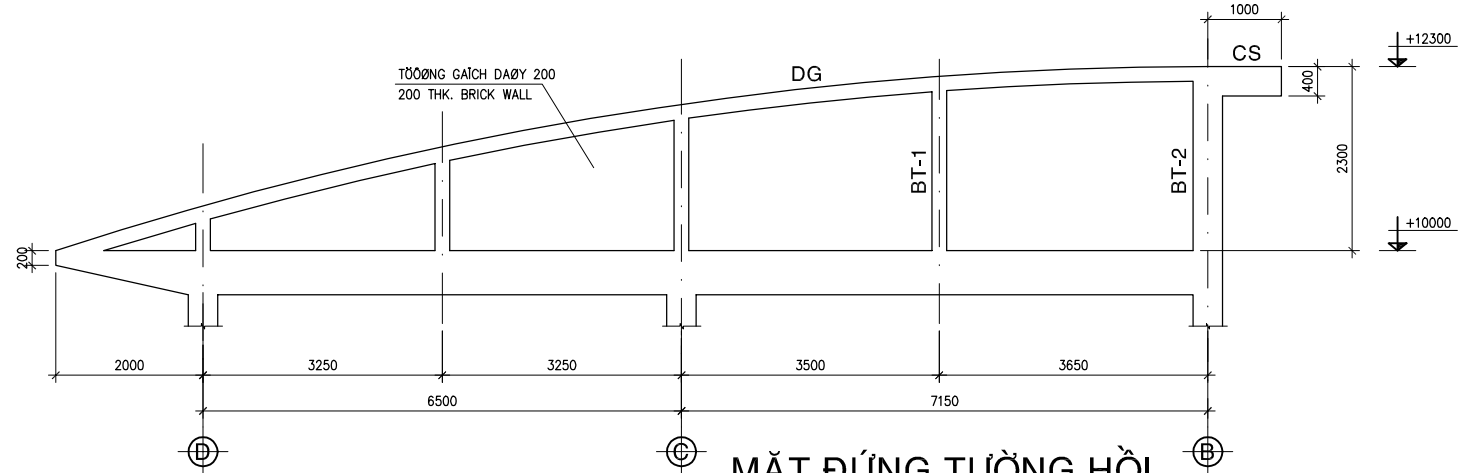
CHI TIẾT DETAIL B



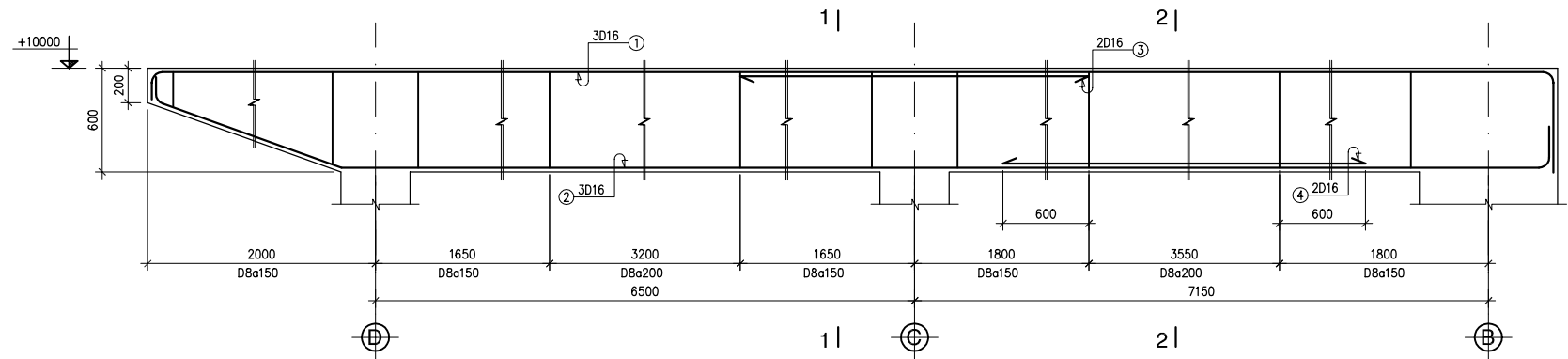
1-1



2-2



MẶT ĐỨNG TƯỜNG HỒI
ROOF WALL ELEVATION



DM-1 (400x600)
(5 PCS, L=14250)

GHI CHÚ :
BEA TỎANG MÀC 300, RIÀU 10x20
COÁT THEOP : D<10 AI Ra=2300 kG/cm2
10<=D<16 All Ra=2800 kG/cm2
D>=16 All Ra=3600 kG/cm2

NOTES :
CONCRETE GRADE 300, STONE 10x20
REINFORCEMENT : D<10 AI Ra=2300 kG/cm2
10<=D<16 All Ra=2800 kG/cm2
D>=16 All Ra=3600 kG/cm2

BT-3 (200x200)
(3 PCS, +2500~+7200)

DG-1 (200x350)
(1 PCS, L=14250)

BT-1 (200x200)
(20 PCS)
DG (200x200)
(5 PCS)

DM-4 (200x300)
(2 PCS, L=7150)
DM-5 (200x300)
(3 PCS, L=3250)

C-1 (400x400)
(11 PCS, +2500~+10000)

DM-2 (200x400)
(2 PCS, L=15150)

DM-3 (200x400)
(1 PCS, L=2950)

BT-2 (200x400)
(5 PCS, L=2500)

CS (200x400)
(5 PCS, L=1200)

NO.	DATE	DESCRIPTIONS	BY	APPRO.

REVISIONS

PROJECT MANAGEMENT UNIT FOR
HO CHI MINH CITY
WATER ENVIRONMENT IMPROVEMENT

THE DETAILED DESIGN STUDY ON HO CHI MINH CITY
WATER ENVIRONMENT IMPROVEMENT PROJECT
IN THE SOCIALIST REPUBLIC OF VIET NAM

PACKAGE E
WASTEWATER TREATMENT PLANT
LIFT PUMPING STATION
PLAN & DETAIL

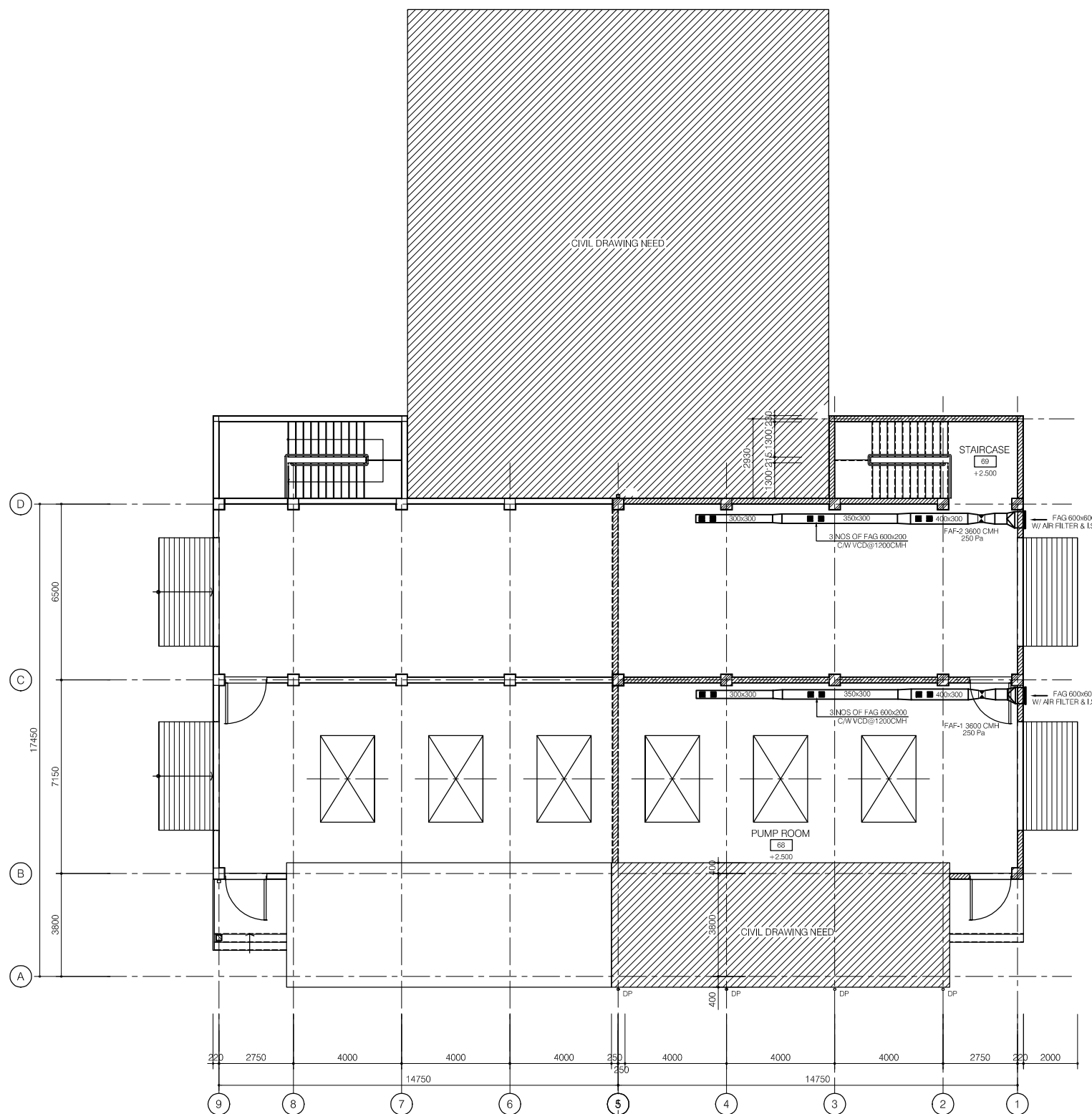
SCALE : N.T.S

JICA JAPAN INTERNATIONAL COOPERATION AGENCY (JICA)

PACIFIC CONSULTANTS INTERNATIONAL

DESIGNED: KIKUTA HIROSHI
CHECKED: KONDO MASAMI

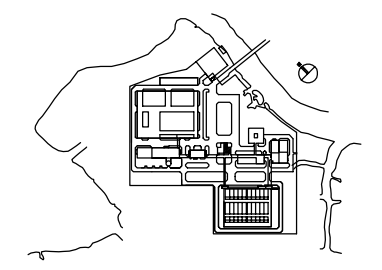
DATE : JUNE 2001 DWG. No. PE-WWTP-300-07



FIRST FLOOR - MECHANICAL PLAN
 SCALE : 1/100

LEGEND :

- EAG EXHAUST AIR GRILLE
- EAF EXHAUST AIR FAN
- EAL EXHAUST AIR LOUVRE
- FAL FRESH AIR LOUVRE
- W/ WITH
- ☒ AXIAL FAN
- ☒ WALL MOUNTED FAN
- ▭ NON INSULATION
- ▨ INTERNAL INSULATION 25mm THK



NO.	DATE	DESCRIPTIONS	BY	APRO.

REVISIONS

PROJECT MANAGEMENT UNIT FOR
 HO CHI MINH CITY
 WATER ENVIRONMENT IMPROVEMENT

THE DETAILED DESIGN STUDY ON HO CHI MINH CITY
 WATER ENVIRONMENT IMPROVEMENT PROJECT
 IN THE SOCIALIST REPUBLIC OF VIET NAM

PACKAGE E
 WASTEWATER TREATMENT PLANT

 MECHANICAL PLAN

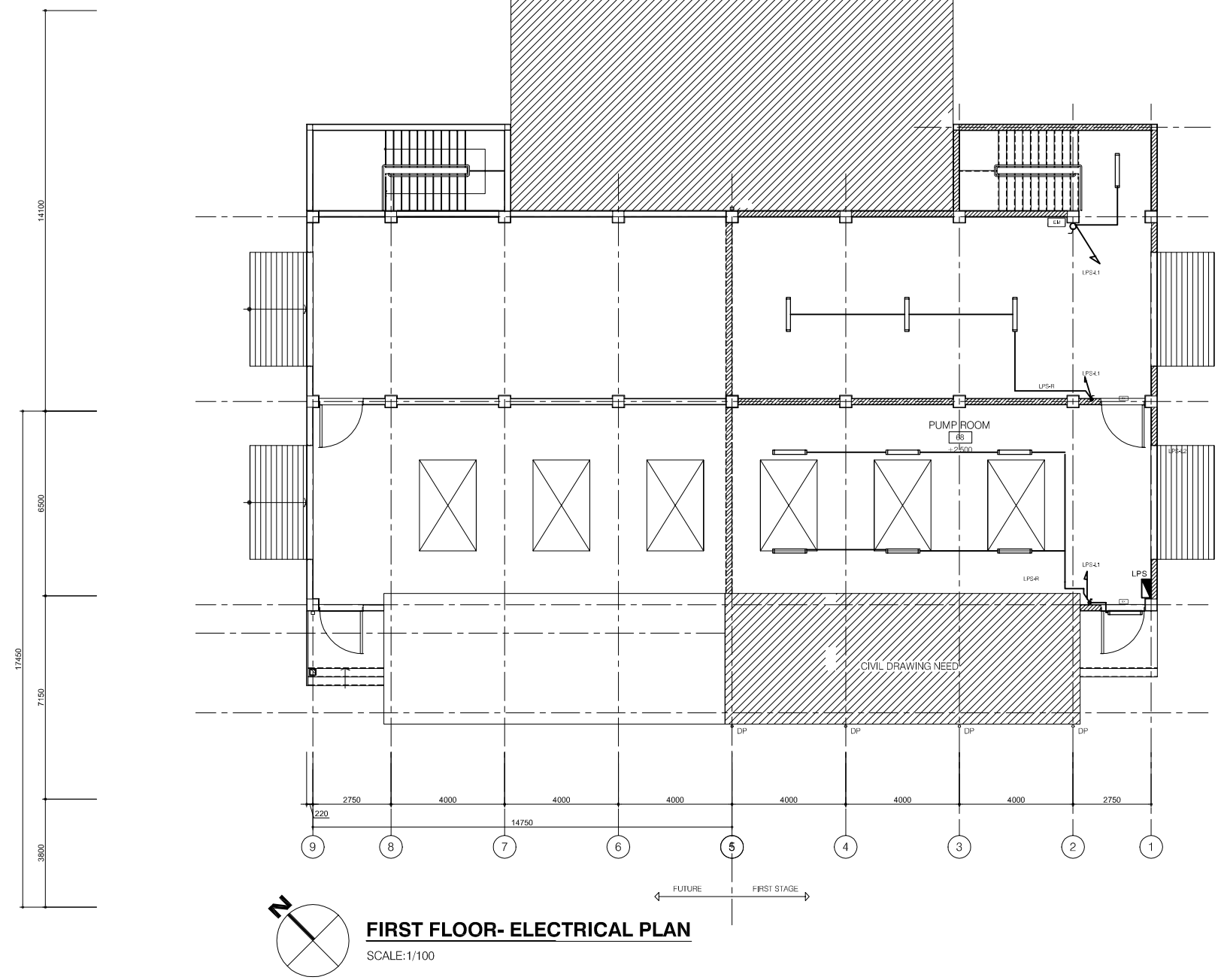
SCALE : 1/100

JAPAN INTERNATIONAL COOPERATION AGENCY (JICA)

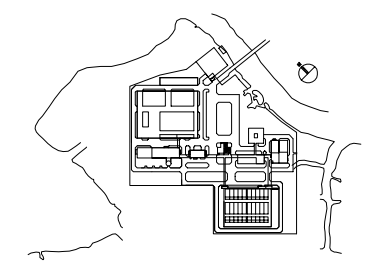
PACIFIC CONSULTANTS INTERNATIONAL

DESIGNED KIKUTA HIROSHI	CHECKED KONDO MASAMI
----------------------------	-------------------------

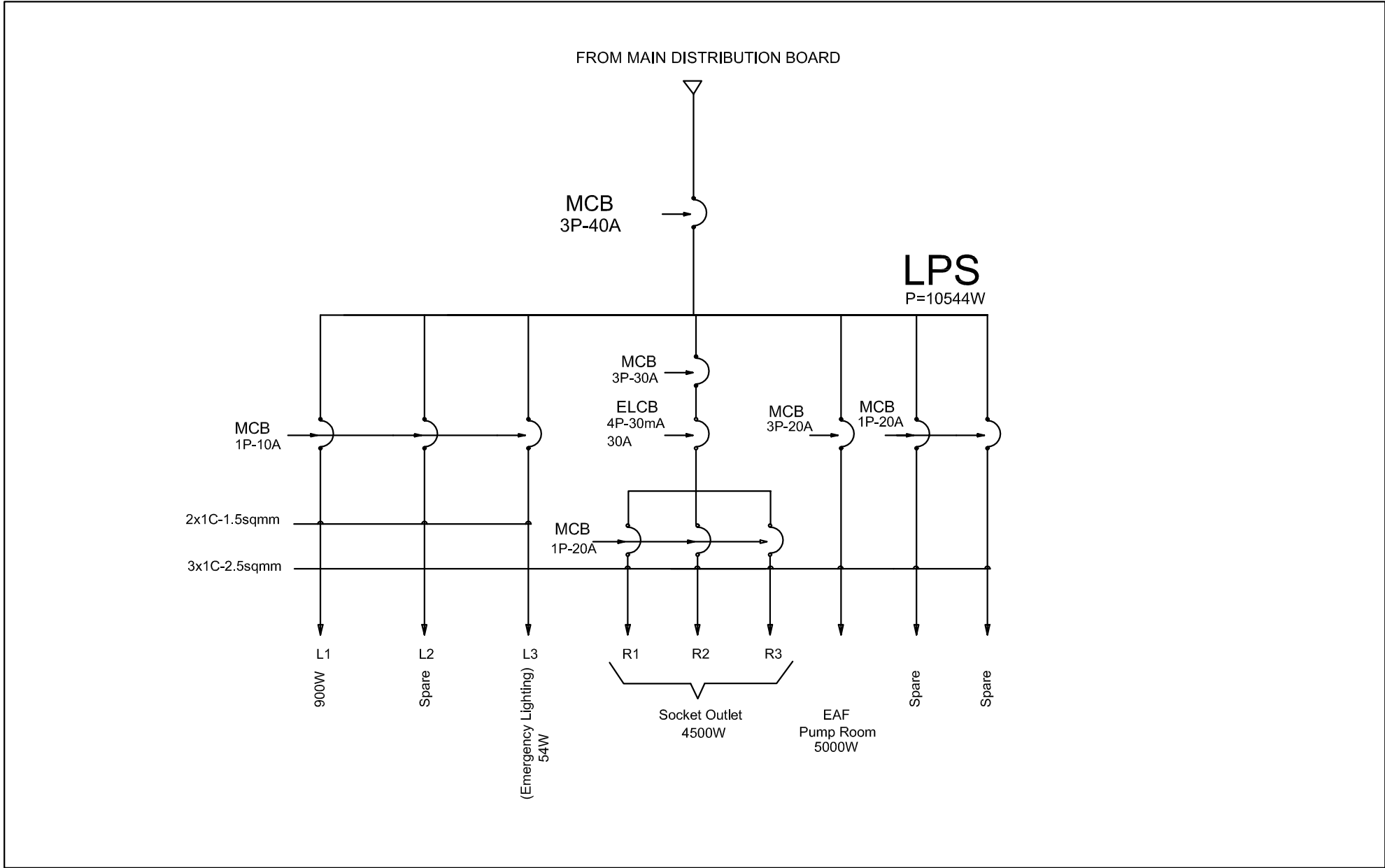
DATE : JUNE 2001 DWG. No. PE-WWTP-300-08



- LEGEND**
- ⊗ 400W HIGH PRESSURE SODIUM INDUSTRIAL HIGH BAY LUMINAIRE
 - 2x36W RECESSED FLOURESCENT
 - 2x36W FLOURESCENT BATTEN (CEILING OR WALL MOUNTED)
 - 1x40W DOWNLIGHT (h WC)
 - 100W OUTDOOR LUMINAIRE, IP 56
 - 1x40W DOWNLIGHT (h WC)
 - 1x18W FLOURESCENT BATTEN, IP65
 - 2x36W FLOURESCENT BATTEN, IP65
 - 2x10W NON- MAINTAINED EXIT LIGHT
 - 16A DUPLEX SOCKET OUTLET
 - 16A DUPLEX SOCKET OUTLET FOR A/C UNIT
 - 1 WAY SINGLE SWITCH
 - DISTRIBUTION BOARD
 - DL : DOOR LOUVER
 - EAF : EXHAUST AIR FAN



NO.	DATE	DESCRIPTIONS	BY	APRO.
REVISIONS				
PROJECT MANAGEMENT UNIT FOR HO CHI MINH CITY WATER ENVIRONMENT IMPROVEMENT				
THE DETAILED DESIGN STUDY ON HO CHI MINH CITY WATER ENVIRONMENT IMPROVEMENT PROJECT IN THE SOCIALIST REPUBLIC OF VIET NAM				
PACKAGE E WASTEWATER TREATMENT PLANT LIFT PUMPING STATION FIRST FLOOR ELECTRICAL PLAN				
SCALE : 1/100				
		JAPAN INTERNATIONAL COOPERATION AGENCY (JICA)		
		PACIFIC CONSULTANTS INTERNATIONAL		
DESIGNED KIKUTA HIROSHI		CHECKED KONDO MASAMI		
DATE : JUNE 2001		DWG. No. PE-WWTP-300-09		



NO.	DATE	DESCRIPTIONS	BY	APRO.

REVISIONS

PROJECT MANAGEMENT UNIT FOR
HO CHI MINH CITY
WATER ENVIRONMENT IMPROVEMENT

THE DETAILED DESIGN STUDY ON HO CHI MINH CITY
WATER ENVIRONMENT IMPROVEMENT PROJECT
IN THE SOCIALIST REPUBLIC OF VIET NAM

PACKAGE E
WASTE WATER TREATMENT PLANT
LIFT PUMP STATION
FIRST FLOOR PLAN
ELECTRICAL DIAGRAM

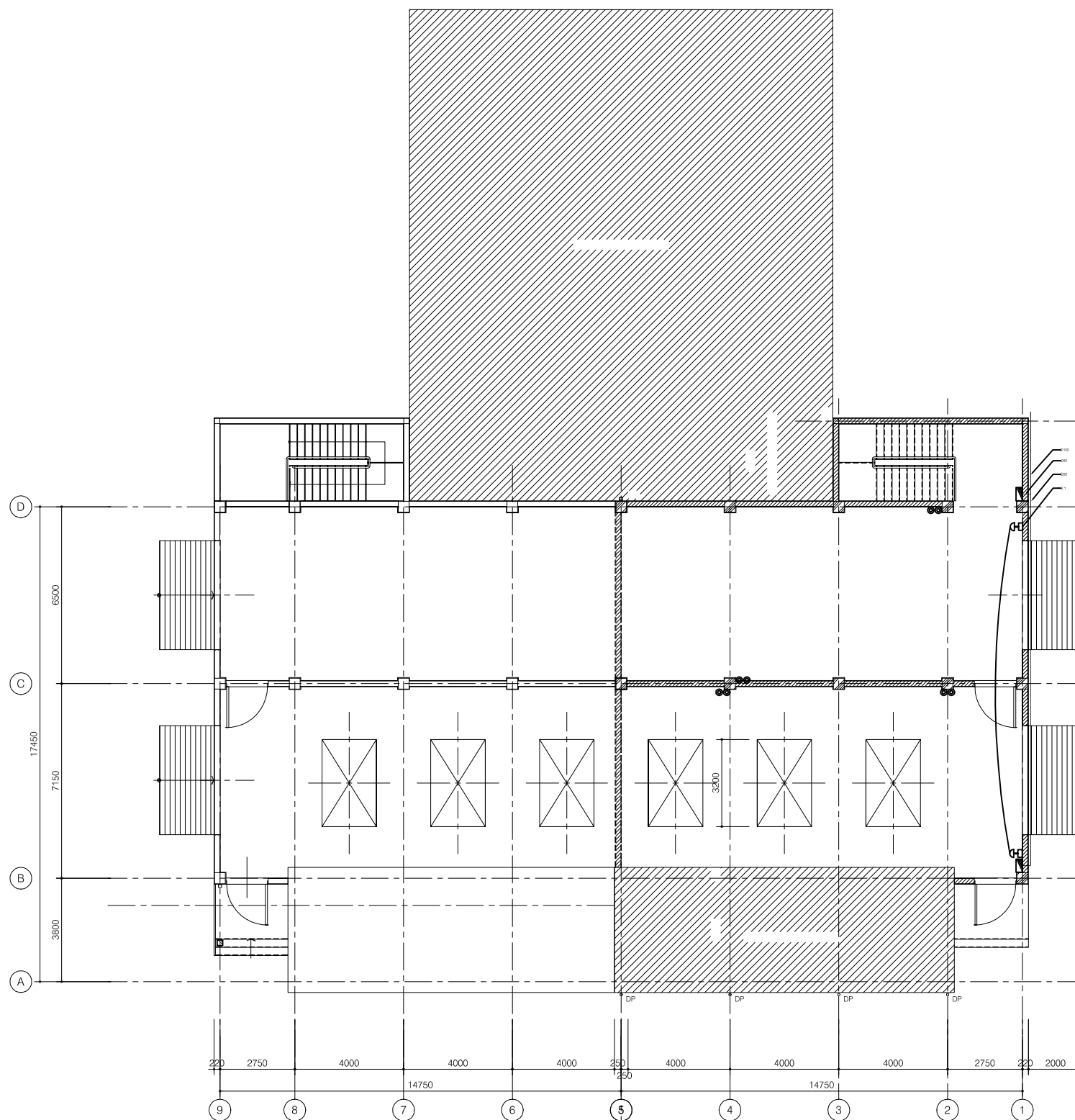
SCALE : N.T.S

JAPAN INTERNATIONAL COOPERATION AGENCY (JICA)

PACIFIC CONSULTANTS INTERNATIONAL

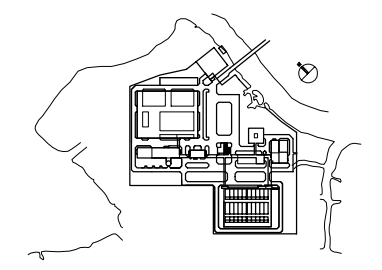
DESIGNED KIKUTA HIROSHI	CHECKED KONDO MASAMI
----------------------------	-------------------------

DATE : JUNE 2001 DWG. No. PE-WWTP-300-10



FIRST FLOOR- FIRE ALARM PLAN
SCALE: 1/100

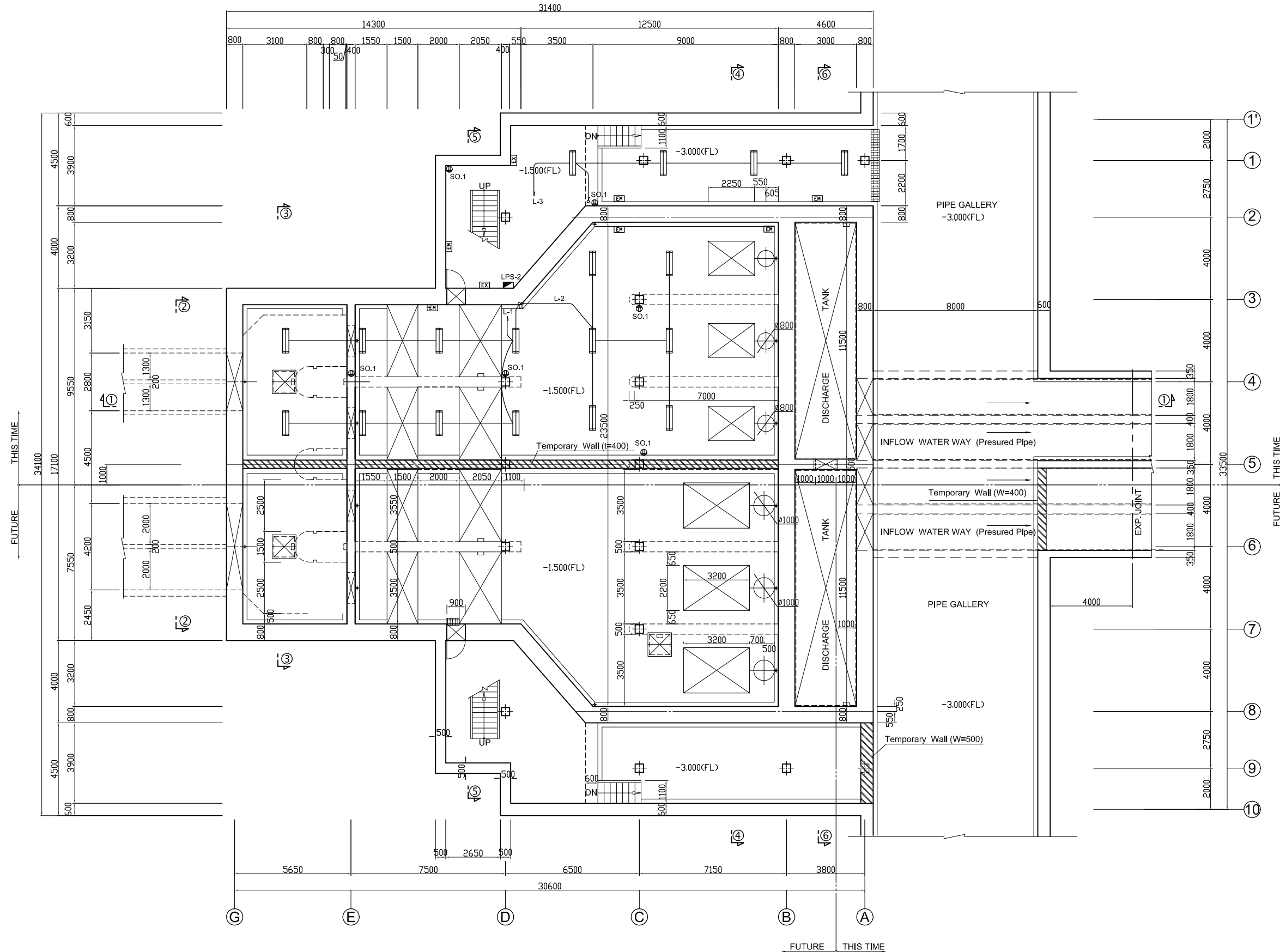
- LEGEND**
- TX - TX BEAM TYPE
 - RX - RX BEAM TYPE
 - EMERGENCY BUTTON
 - FIRE ALARM BELL
 - HOSE REEL BOX
 - ABC FIRE EXTINGUISHER 8KG
 - SIREN
 - SMOKE DETECTOR ION-POINT TYPE



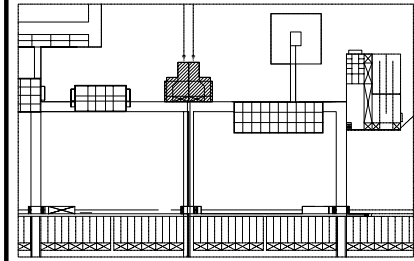
NO.	DATE	DESCRIPTIONS	BY	APPRO.
REVISIONS				
PROJECT MANAGEMENT UNIT FOR HO CHI MINH CITY WATER ENVIRONMENT IMPROVEMENT				
THE DETAILED DESIGN STUDY ON HO CHI MINH CITY WATER ENVIRONMENT IMPROVEMENT PROJECT IN THE SOCIALIST REPUBLIC OF VIET NAM				
PACKAGE E WASTEWATER TREATMENT PLANT LIFT PUMPING STATION FIRST FLOOR FIRE ALARM PLAN				
SCALE : 1/100				
JAPAN INTERNATIONAL COOPERATION AGENCY (JICA)				
PACIFIC CONSULTANTS INTERNATIONAL				
DESIGNED KIKUTA HIROSHI		CHECKED KONDO MASAMI		
DATE : JUNE 2001		DWG. No. PE-WWTP-300-11		

LIGHTING OF LIFT PUMPING STATION PLAN (2)

B1F PLAN S= 1/100



KEY PLAN



NOTES :

- 2x36W FLOURECENT BATTEN, IP65
- 2x10W NON-MAINTAINED EXIT LIGHT
- DISTRIBUTION BOARD
- EMERGENCY LAMP

DATE	DESCRIPTIONS	BY	APRO.

REVISIONS

PROJECT MANAGEMENT UNIT FOR
WATER ENVIRONMENT IMPROVEMENT FOR
HO CHI MINH CITY

THE DETAILD DESIGN ON HO CHI MINH CITY
WATER ENVIRONMENT IMPROVEMENT PROJECT
IN THE SOCIALIST REPUBLIC OF VIET NAM

PACKAGE E
WASTEWATER TREATMENT PLANT

LIGHTING OF LIFT PUMPING STATION
PLAN (No. 2)
B1F PLAN

SCALE : 1/100

JAPAN INTERNATIONAL COOPERATION AGENCY (JICA)

PACIFIC CONSULTANTS INTERNATIONAL

DESIGNED KIKUTA HIROSHI	CHECKED KONDO MASAMI
----------------------------	-------------------------

DATE : JUNE 2001 DWG. No. PE - WWTP - 300 - 12