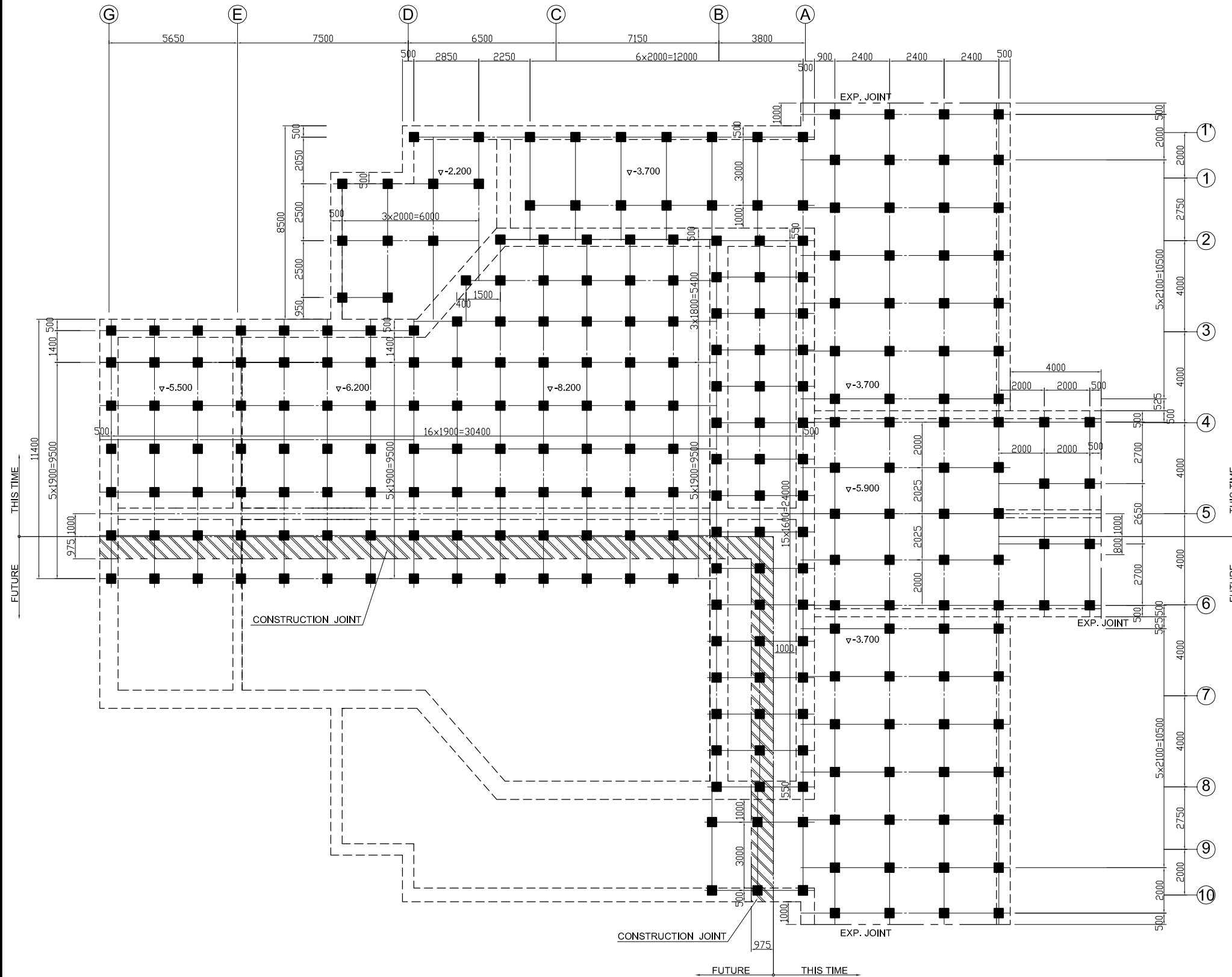


Pile arrangement

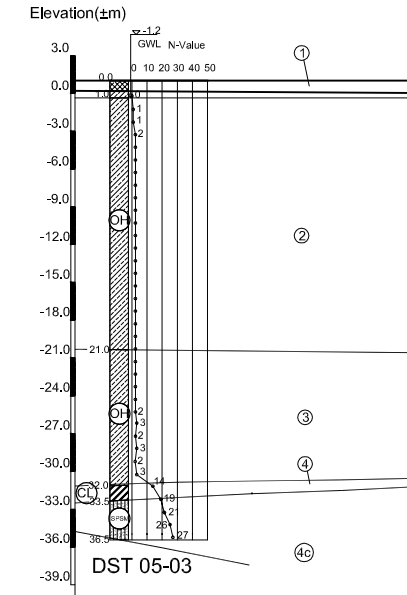
LIFT PUMPING STATION

PILE ARRANGEMENT PLAN Scale: 1/100



ENGINEERING GEOLOGY CROSS SECTION

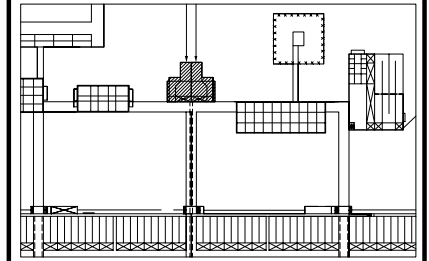
Scale: Vertical 1/300
Horizontal 1/2500



LEGEND

- 1 Ground made : Light brown ORGANIC CLAY
- 2 Very soft, high plasticity blackish grey ORGANIC CLAY
- 3 Soft, high plasticity blackish grey ORGANIC CLAY
- 4 Stiff, low plasticity, yellowish brownish grey ORGANIC CLAY
- 4c Dense, yellowish white grey POORLY GRADED SAND
- 4b Medium dense, light, white grey SILTY SAND
- 4d Dense, white POORLY GRADED SAND
- 5 Hard, yellowish, light violet SANDY CLAY

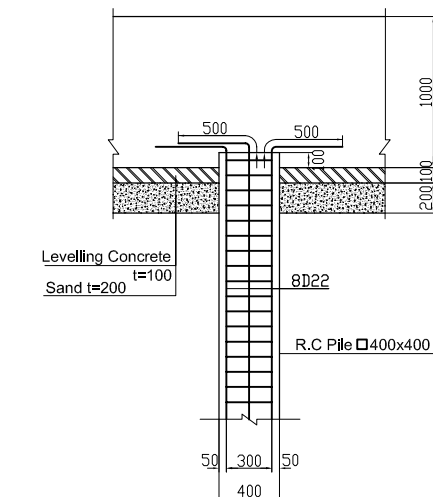
KEY PLAN



NOTES :

- ALL DIMENSIONS ARE MM UNLESS STATED OTHERWISE
- DETAILS OF R.C PILE SHOWN ON DWG. No. PE - WWTP - 265 - 01

CONNECTION OF PILE HEAD and BOTTOM SLAB Scale: 1/25



DATE	DESCRIPTIONS	BY	APPRO.

REVISIONS

PROJECT MANAGEMENT UNIT FOR
WATER ENVIRONMENT IMPROVEMENT FOR
HO CHI MINH CITY

THE DETAILED DESIGN ON HO CHI MINH CITY
WATER ENVIRONMENT IMPROVEMENT PROJECT
IN THE SOCIALIST REPUBLIC OF VIET NAM

PACKAGE E
WASTEWATER TREATMENT PLANT
LIFT PUMPING STATION
PILE ARRANGEMENT PLAN

SCALE : 1/25, 1/100

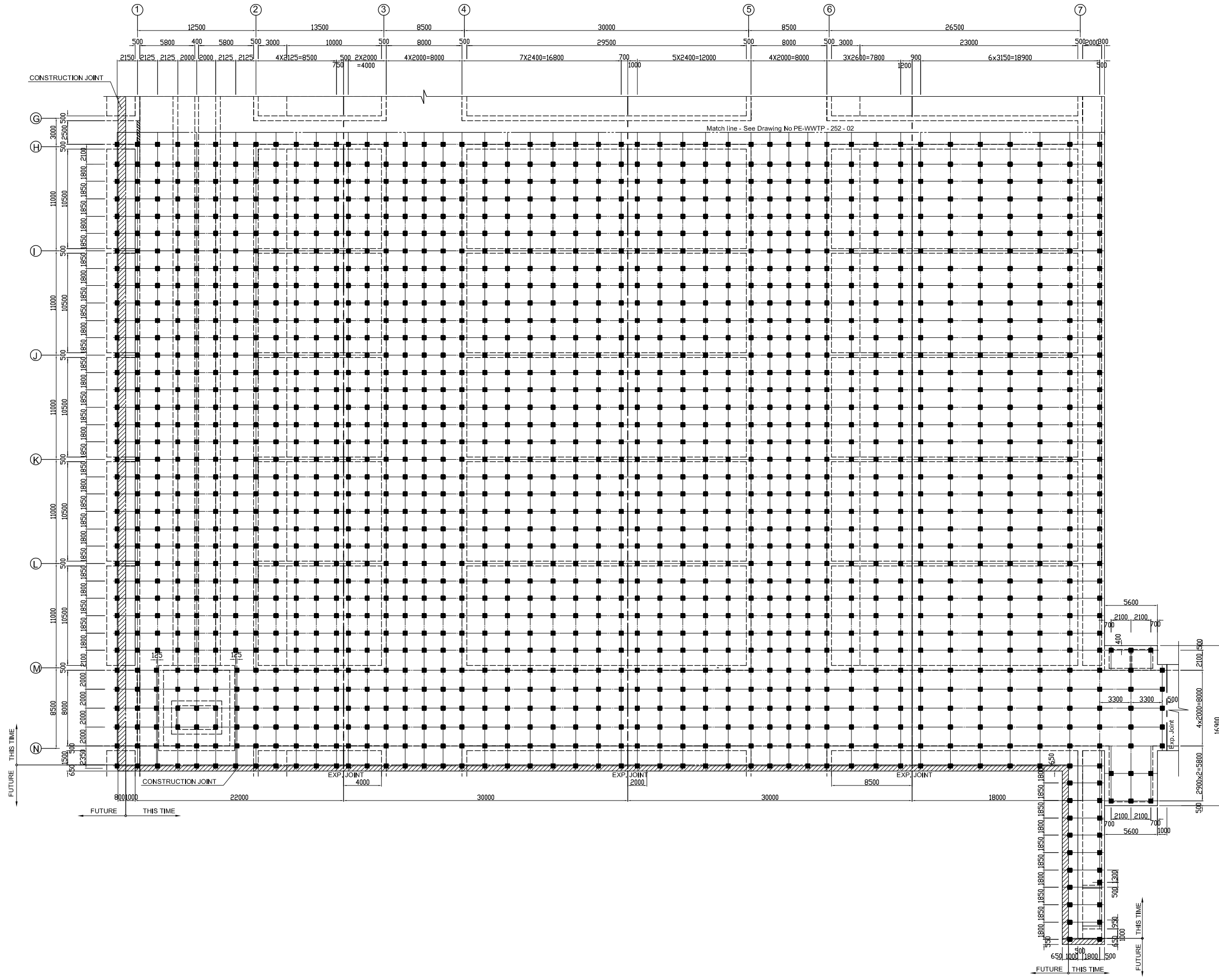
JAPAN INTERNATIONAL COOPERATION
AGENCY (JICA)

PACIFIC CONSULTANTS INTERNATIONAL

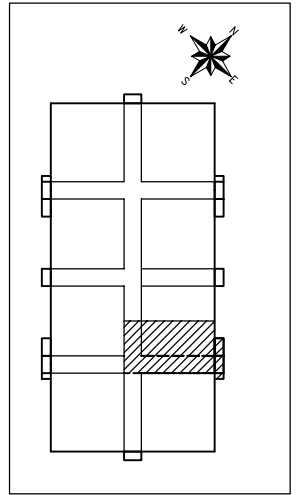
DESIGNED KIMURA TORU	CHECKED KONDO MASAMI
-------------------------	-------------------------

DATE : JUNE 2001 DWG. No. PE - WWTP - 251 - 01

WASTEWATER TREATMENT PLANT PILE ARRANGEMENT PLAN (No. 2) Scale:1/200



KEY MAP



NOTES :

- ALL DIMENSIONS ARE MM UNLESS STATED OTHERWISE
- DETAILS OF R.C PILE SHOWN ON DWG. No. PE - WWTP - 265 - 01

--	--	--	--	--	--	--	--	--	--

NO.	DATE	DESCRIPTIONS	BY	APRO.

REVISIONS

PROJECT MANAGEMENT UNIT FOR
HO CHI MINH CITY
WATER ENVIRONMENT IMPROVEMENT

THE DETAILED DESIGN STUDY ON HO CHI MINH CITY
WATER ENVIRONMENT IMPROVEMENT PROJECT
IN THE SOCIALIST REPUBLIC OF VIET NAM

PACKAGE E
WASTEWATER TREATMENT PLANT
WASTEWATER TREATMENT PLANT
PILE ARRANGEMENT PLAN (No. 2)

SCALE : 1/200

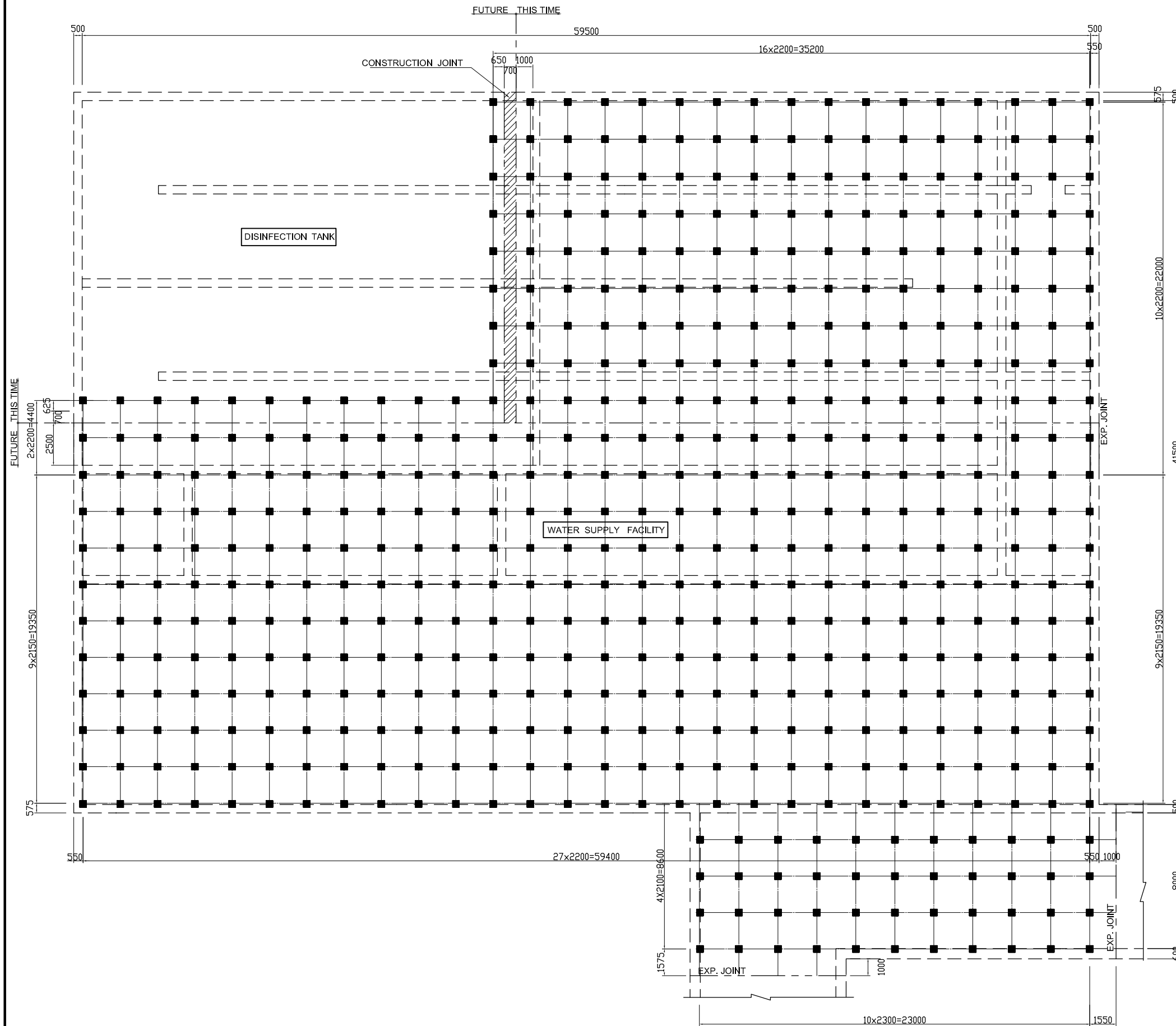
JAPAN INTERNATIONAL COOPERATION AGENCY (JICA)

PACIFIC CONSULTANTS INTERNATIONAL

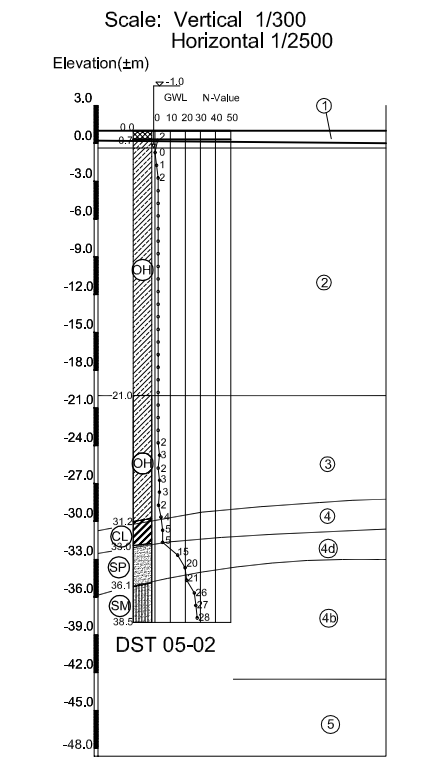
DESIGNED KIMURA TORU	CHECKED KONDO MASAMI
-------------------------	-------------------------

DATE : JUNE 2001 DWG. No. PE-WWTP - 252-02

DISINFECTION TANK and WATER SUPPLY FACILITY PILE ARRANGEMENT PLAN Scale:1/125

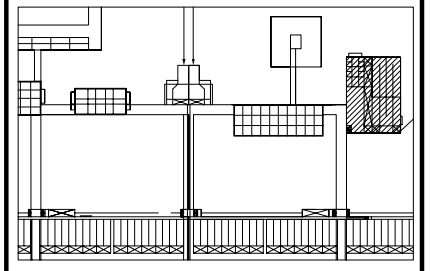


ENGINEERING GEOLOGY CROSS SECTION



- LEGEND**
- ① Ground made : Light brown ORGANIC CLAY
 - ② Very soft, high plasticity blackish grey ORGANIC CLAY
 - ③ Soft, high plasticity blackish grey ORGANIC CLAY
 - ④ Stiff, low plasticity, yellowish brownish grey ORGANIC CLAY
 - ④c Dense, yellowish white grey POORLY GRADED SAND
 - ④b Medium dense, light, white grey SILTY SAND
 - ④d Dense, white POORLY GRADED SAND
 - ⑤ Hard, yellowish, light violet SANDY CLAY

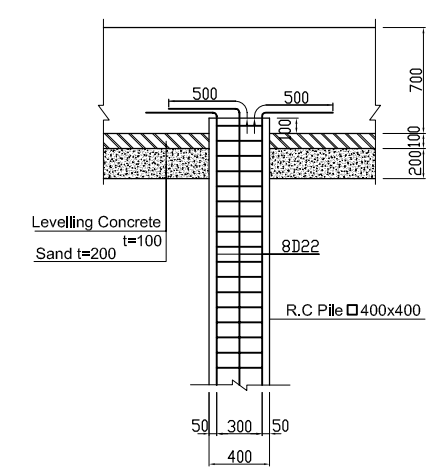
KEY PLAN



NOTES :

- ALL DIMENSIONS ARE MM UNLESS STATED OTHERWISE
- DETAILS OF R.C PILE SHOWN ON DWG. No. PE - WWTP - 265 - 01

CONNECTION OF PILE HEAD and BOTTOM SLAB Scale:1/25

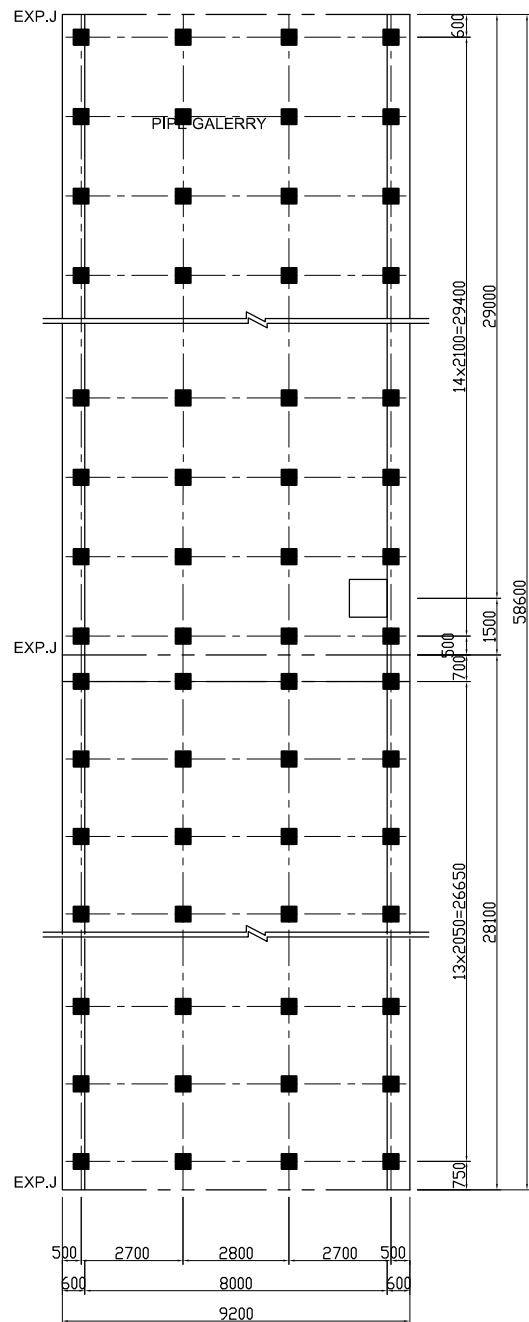


DATE	DESCRIPTIONS	BY	APRO.
REVISIONS			
PROJECT MANAGEMENT UNIT FOR WATER ENVIRONMENT IMPROVEMENT FOR HO CHI MINH CITY			
THE DETAILED DESIGN ON HO CHI MINH CITY WATER ENVIRONMENT IMPROVEMENT PROJECT IN THE SOCIALIST REPUBLIC OF VIET NAM			
PACKAGE E WASTEWATER TREATMENT PLANT DISINFECTION TANK and WATER SUPPLY FACILITY PILE ARRANGEMENT PLAN			
SCALE : 1/25, 1/125			
JAPAN INTERNATIONAL COOPERATION AGENCY (JICA)			
PACIFIC CONSULTANTS INTERNATIONAL			
DESIGNED KIMURA TORU	CHECKED KONDO MASAMI		
DATE : JUNE 2001	DWG. No. PE - WWTP - 254 - 01		

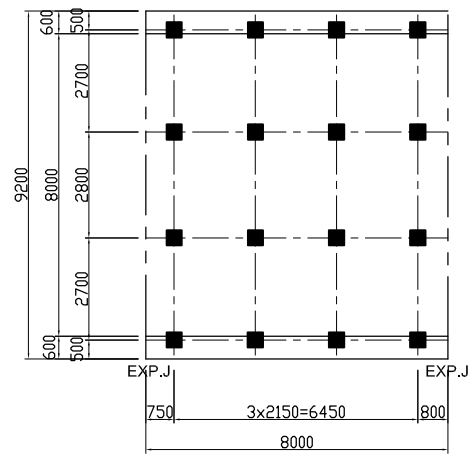
PIPE GALLERY (A) (B) (D) (E) PILE ARRANGEMENT PLAN

Scale:100

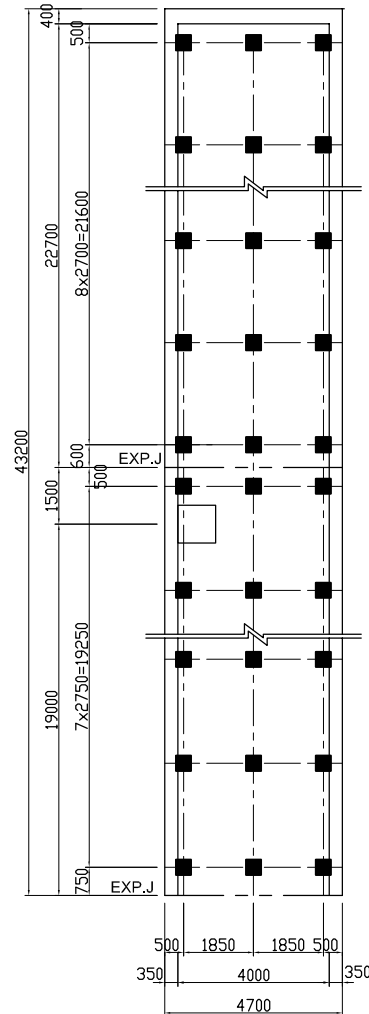
PIPE GALERRY (A)



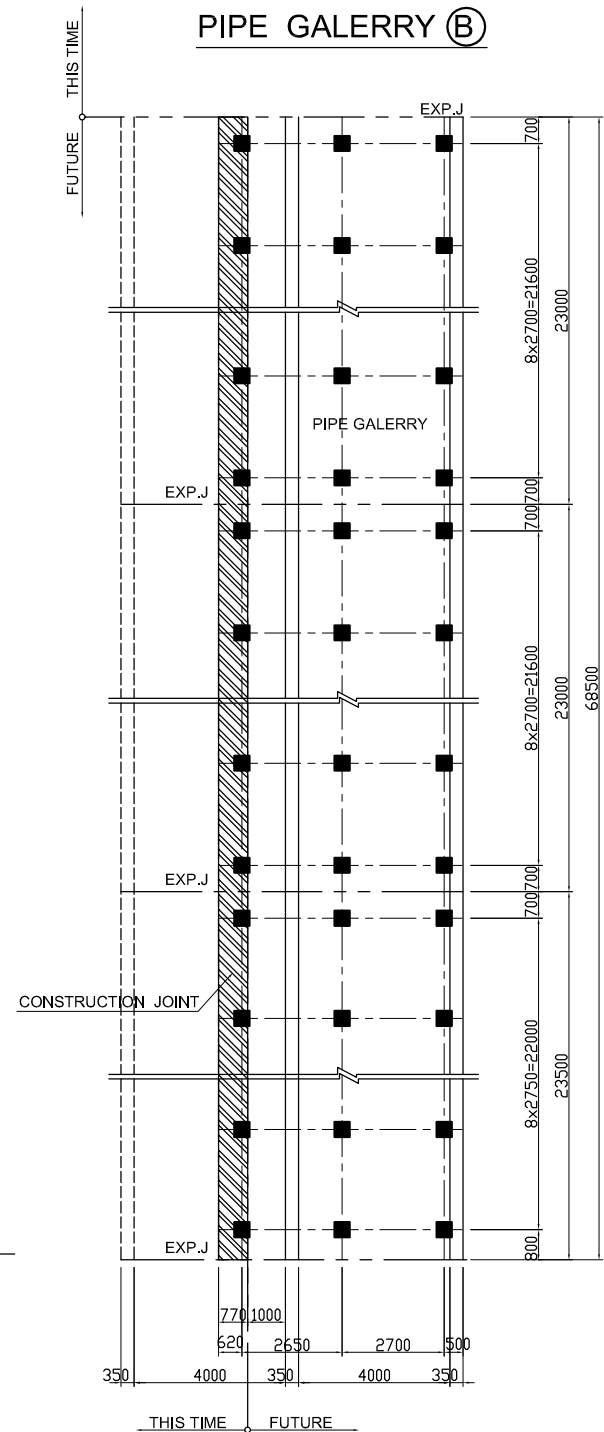
PIPE GALERRY (D)



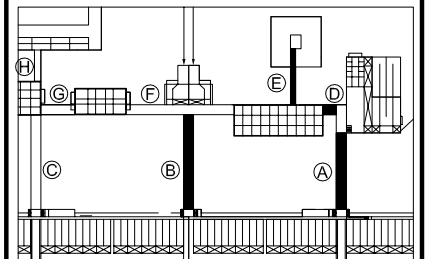
PIPE GALERRY (E)



PIPE GALERRY (B)



KEY PLAN



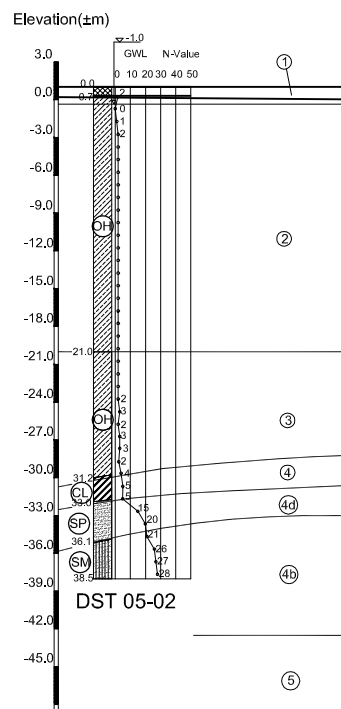
© = Future

NOTES :

- ALL DIMENSIONS ARE MM UNLESS STATED OTHERWISE
- DETAILS OF R.C PILE SHOWN ON DWG. No. PE - WWTP - 265 - 01

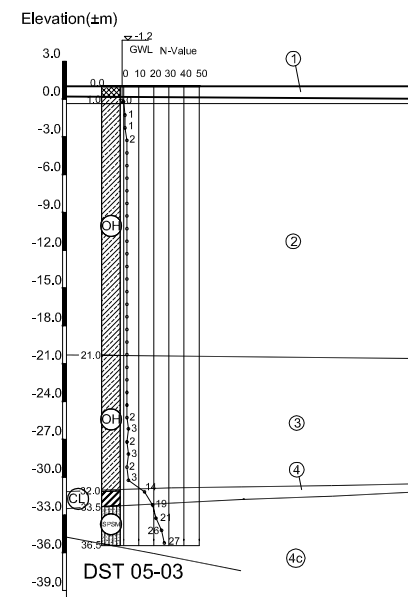
ENGINEERING GEOLOGY CROSS SECTION FOR PIPE GALERRY (A) (D) (E)

Scale: Vertical 1/300
Horizontal 1/2500

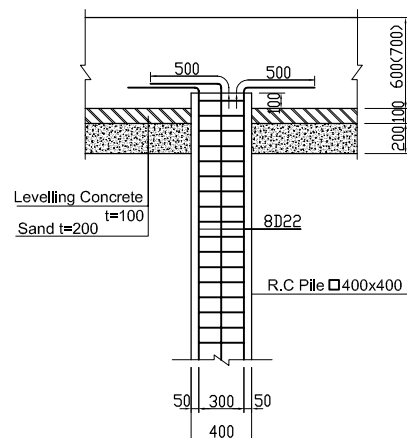


ENGINEERING GEOLOGY CROSS SECTION FOR PIPE GALERRY (B)

Scale: Vertical 1/300
Horizontal 1/2500



CONNECTION OF PILE HEAD and BOTTOM SLAB Scale:1/25



LEGEND

- 1 Ground made : Light brown ORGANIC CLAY
- 2 Very soft, high plasticity blackish grey ORGANIC CLAY
- 3 Soft, high plasticity blackish grey ORGANIC CLAY
- 4 Stiff, low plasticity, yellowish brownish grey ORGANIC CLAY
- 4c Dense, yellowish white grey POORLY GRADED SAND
- 4b Medium dense, light, white grey SILTY SAND
- 4d Dense, white POORLY GRADED SAND
- 5 Hard, yellowish, light violet SANDY CLAY

DATE	DESCRIPTIONS	BY	APRO.

REVISIONS

PROJECT MANAGEMENT UNIT FOR WATER ENVIRONMENT IMPROVEMENT FOR HO CHI MINH CITY

THE DETAILED DESIGN ON HO CHI MINH CITY WATER ENVIRONMENT IMPROVEMENT PROJECT IN THE SOCIALIST REPUBLIC OF VIET NAM

PACKAGE E
WASTEWATER TREATMENT PLANT
PIPE GALERRY (A) (B) (D) (E)
PILE ARRANGEMENT PLAN

SCALE : 1/25, 1/100

JICA JAPAN INTERNATIONAL COOPERATION AGENCY (JICA)

PACIFIC CONSULTANTS INTERNATIONAL

DESIGNED _____ CHECKED _____

DATE : _____ DWG. No. PE - WWTP - 255 - 01