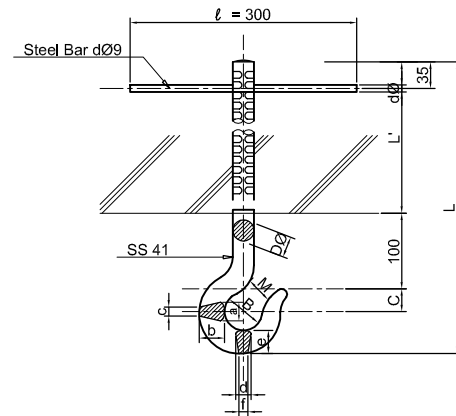


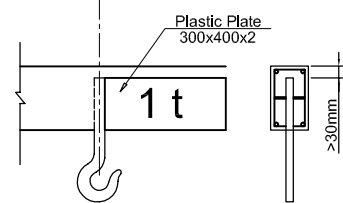
DETAIL DRAWINGS (9)

D-9 Hook

Scale:1/5



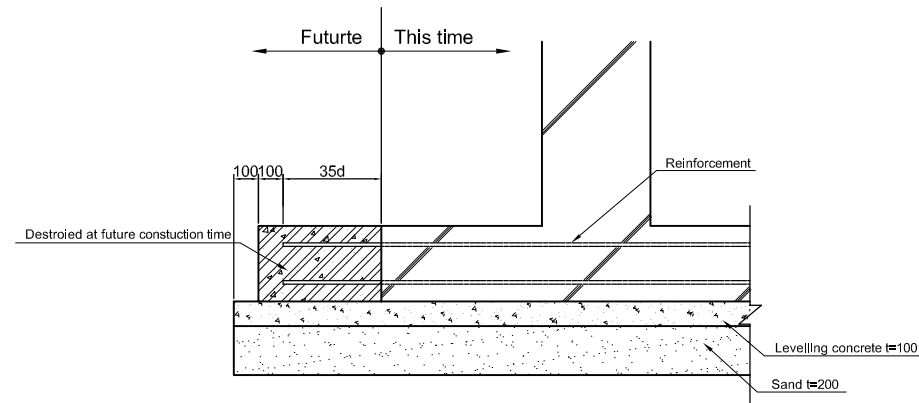
Scale:1/20



T	a	b	c	d	e	f	dØ	B	C	DØ	L	L'	M
1 ton	23	35	12	23	30	12	9	50	30	28	385	200	36

D-11 Constraction Joint

Scale:1/20



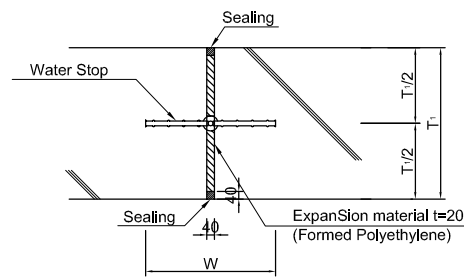
Mark	Facilities	Bottom slab	Well	Slab	Others	Remark
K - 1		B	800	510	—	—
K - 2		B	1000	1020	—	—
K - 3		B	800	510	—	—
K - 4		B	1000	1020	—	—
K - 5		A	1100	2210	680x3	170
K - 6		B	800	510	—	—
K - 7		B	1000	1020	—	—
K - 8		B	800	850	—	—
K - 9		B	2100	1440	—	—

NOTES :

- ALL DIMENSIONS ARE MM UNLESS STATED OTHERWISE
- THE SPECIFICATION TO BE REFERRED FOR MORE INFORMATION OF MATERIAL GRADES

D-10 Expansion Joint

Scale:1/10



Concrete thickness	Width	Thickness	Quality of material
T₁<300	200	6	Made by Polyvinyl chloride
T₁≥300	300	7	Made by Rubber

NO.	DATE	DESCRIPTIONS	BY	APRO.
-----	------	--------------	----	-------

REVISIONS

PROJECT MANAGEMENT UNIT FOR
HO CHI MINH CITY
WATER ENVIRONMENT IMPROVEMENT

THE DETAILED DESIGN ON HO CHI MINH CITY
WATER ENVIRONMENT IMPROVEMENT PROJECT
IN THE SOCIALIST REPUBLIC OF VIET NAM

PACKAGE E
WASTEWATER TREATMENT PLANT

DETAIL DRAWINGS (9)
HOOK, EXPANSION JOINT
and CONSTRUCTION JOINT

SCALE : 1/5, 1/10, 1/20.

JICA JAPAN INTERNATIONAL COOPERATION AGENCY (JICA)

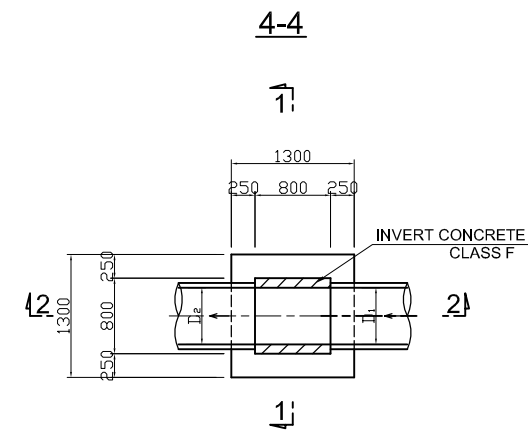
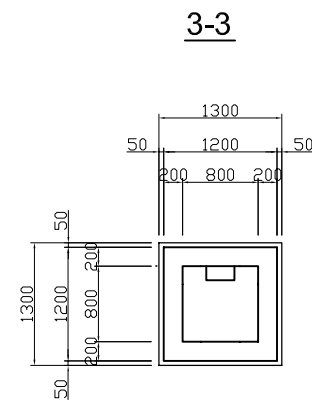
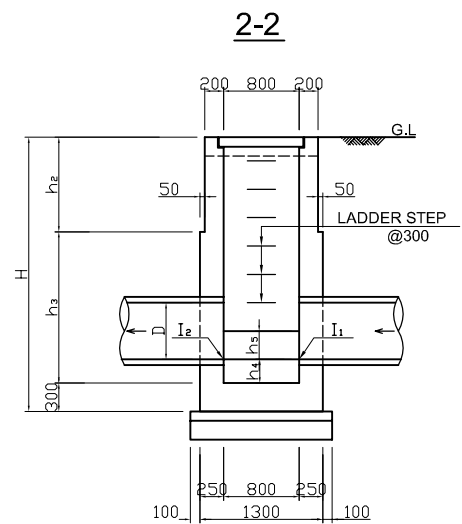
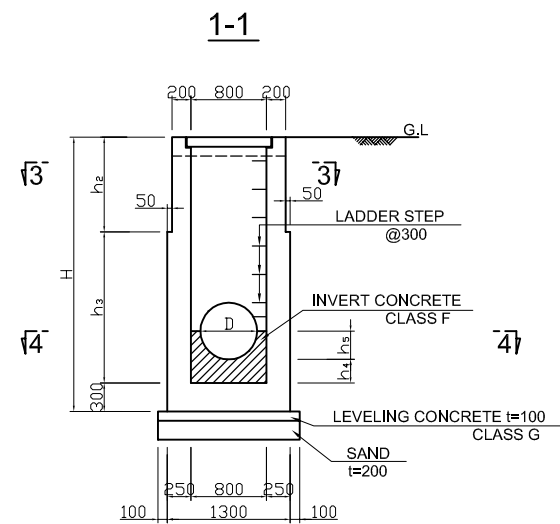
PACIFIC CONSULTANTS INTERNATIONAL

DESIGNED
KIMURA TORU
CHECKED
KONDO MASAMI

DATE : JUNE 2001 DWG. No. PE - WWTP - 229 - 39

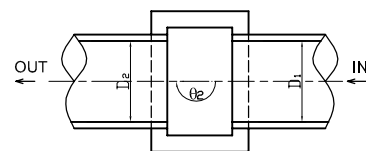
DETAIL DRAWINGS (10)

TYPE 1 Ø300 - Ø600 Scale: 1/40

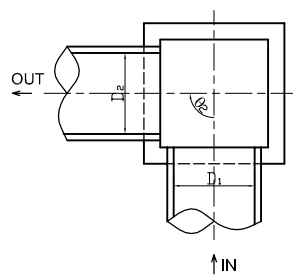


When $H < 2500$, $h_2 = 0$
When $H \geq 2500$, $h_2 = 1000$

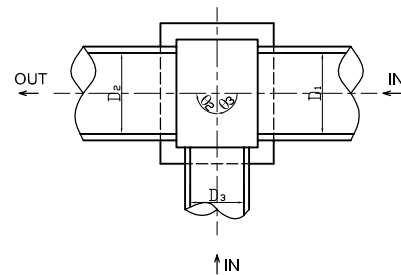
CONNECTION TYPE



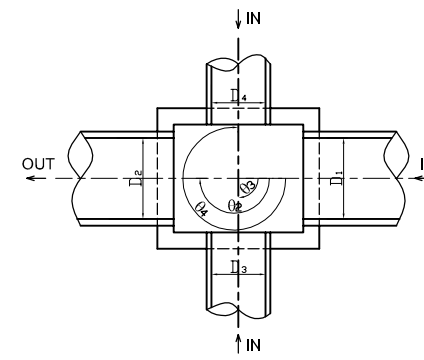
TYPE A



TYPE B

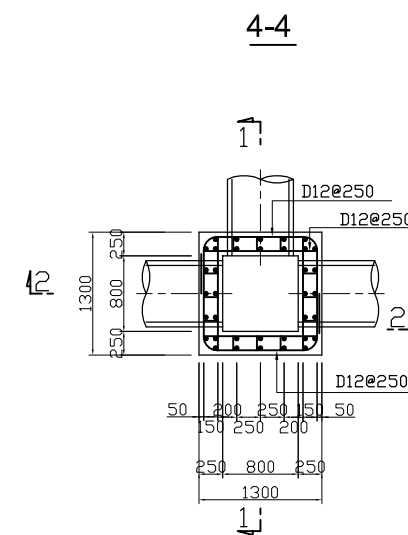
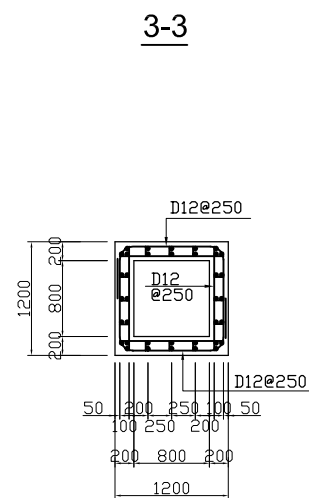
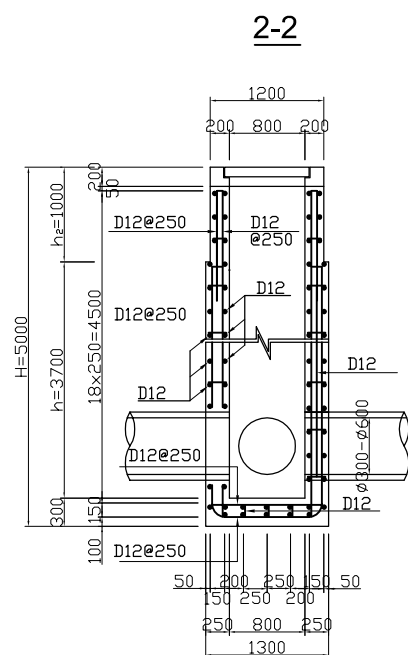
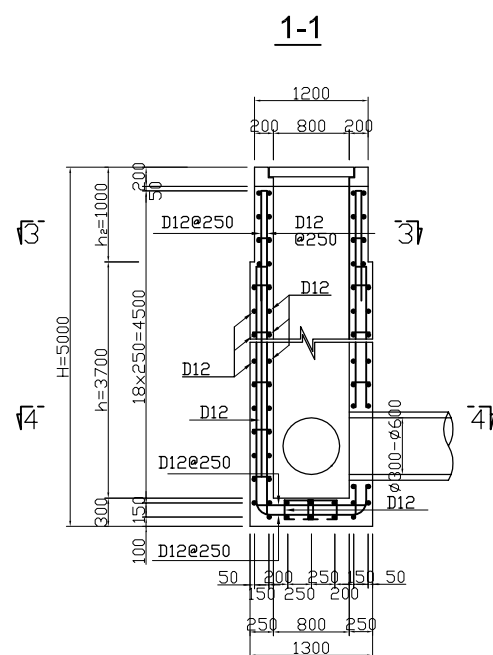


TYPE C



TYPE D

TYPE 2. Scale: 1/40



NOTES :

- ALL DIMENSIONS ARE MM UNLESS STATED OTHERWISE
- THE SPECIFICATION TO BE REFERRED FOR MORE INFORMATION OF MATERIAL GRADES

NO.	DATE	DESCRIPTIONS	BY	APPRO.

REVISIONS

PROJECT MANAGEMENT UNIT FOR
HO CHI MINH CITY
WATER ENVIRONMENT IMPROVEMENT

THE DETAILED DESIGN ON HO CHI MINH CITY
WATER ENVIRONMENT IMPROVEMENT PROJECT
IN THE SOCIALIST REPUBLIC OF VIET NAM

PACKAGE E
WASTEWATER TREATMENT PLANT
DETAIL DRAWING (10)
MANHOLE

SCALE: 1/40

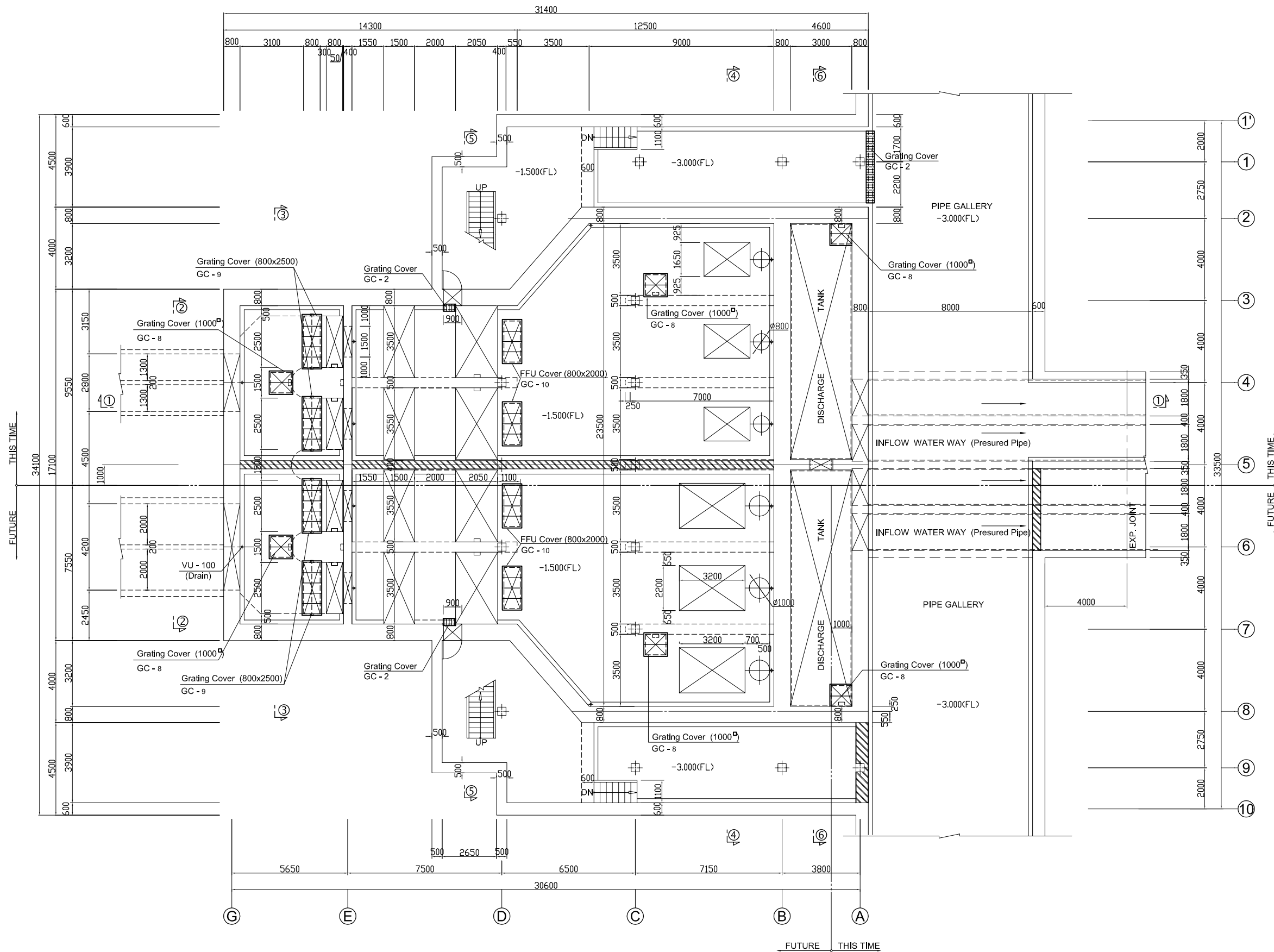
JAPAN INTERNATIONAL COOPERATION
AGENCY (JICA)

PACIFIC CONSULTANTS INTERNATIONAL

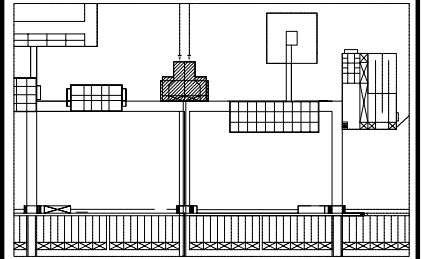
DESIGNED KIMURA TORU	CHECKED KONDO MASAMI
-------------------------	-------------------------

DATE : JUNE 2001 DWG. No. PE - WWTP - 229 - 40

GRATING COVER OF LIFT PUMPING STATION PLAN S=1/100



KEY PLAN



NOTES :

- ALL DIMENSIONS ARE MM UNLESS STATED OTHERWISE
- THE SPECIFICATION TO BE REFERRED FOR MORE INFORMATION OF MATERIAL GRADES

DATE	DESCRIPTIONS	BY	APRO.

REVISIONS

PROJECT MANAGEMENT UNIT FOR
WATER ENVIRONMENT IMPROVEMENT FOR
HO CHI MINH CITY

THE DETAILED DESIGN ON HO CHI MINH CITY
WATER ENVIRONMENT IMPROVEMENT PROJECT
IN THE SOCIALIST REPUBLIC OF VIET NAM

PACKAGE E
WASTEWATER TREATMENT PLANT
GRATING COVER OF LIFT PUMPING
STATION PLAN

SCALE : 1/100

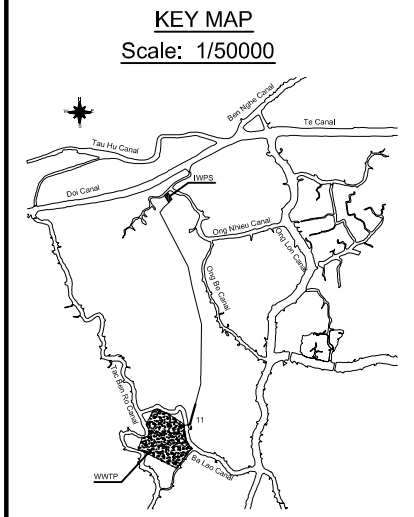
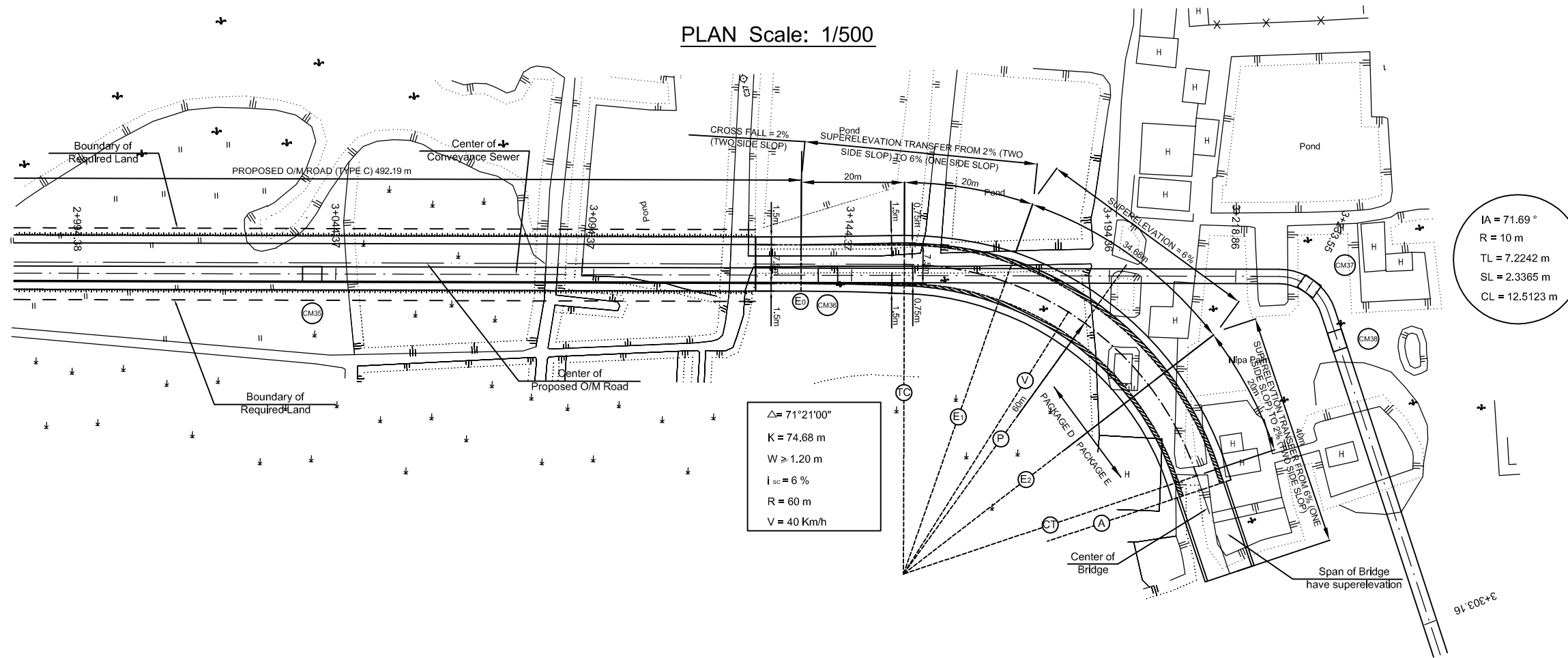
JICA JAPAN INTERNATIONAL COOPERATION
AGENCY (JICA)

PACIFIC CONSULTANTS INTERNATIONAL

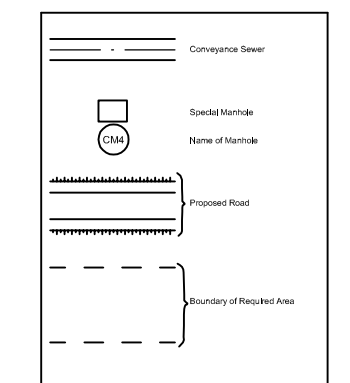
DESIGNED KIMURA TORU	CHECKED KONDO MASAMI
-------------------------	-------------------------

DATE : JUNE 2001 DWG. No. PE - WWTP - 229 - 41

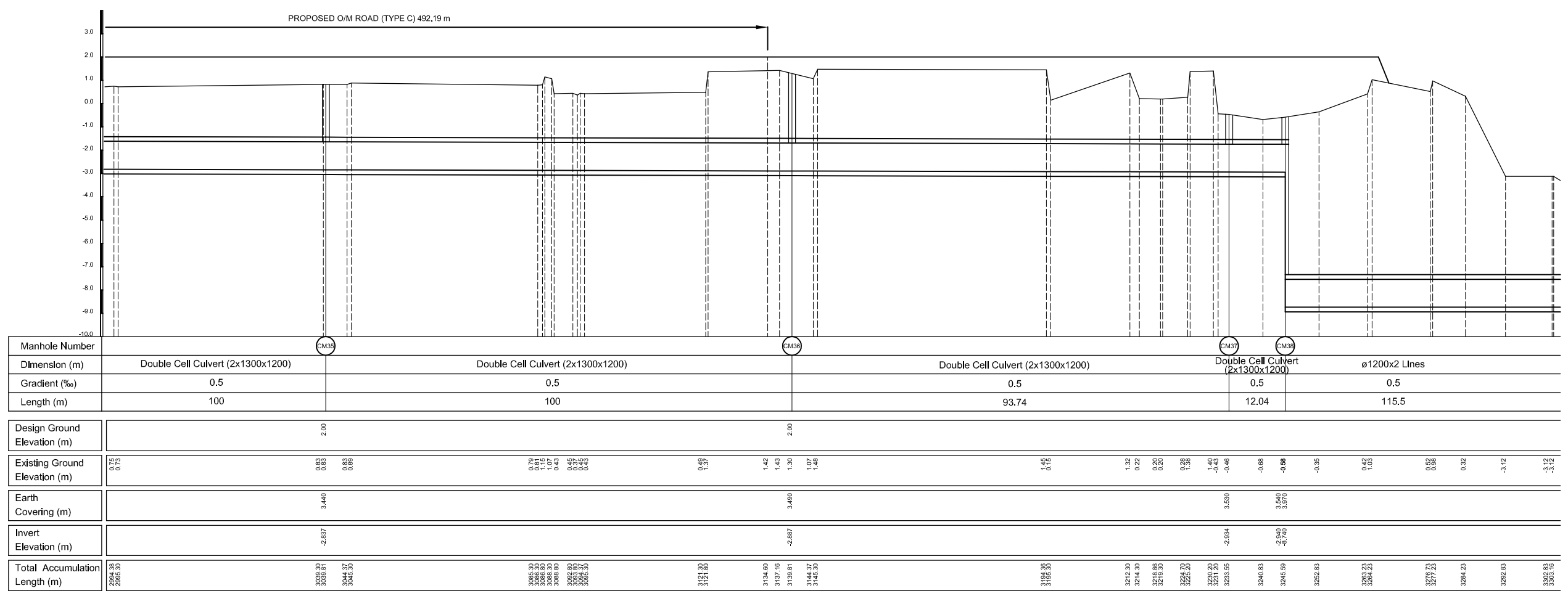
PLAN Scale: 1/500



LEGEND

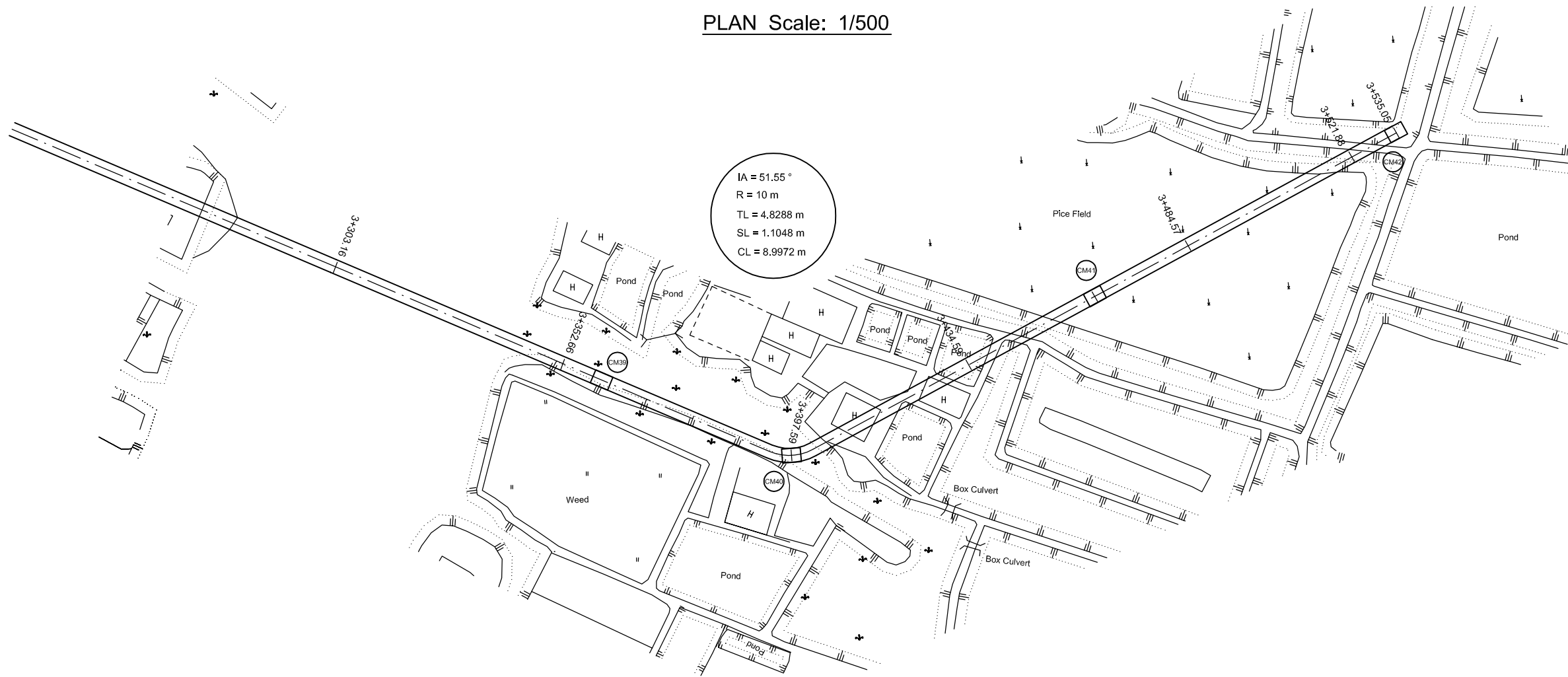


PROFILE Scale H: 1/500, Scale V: 1/100

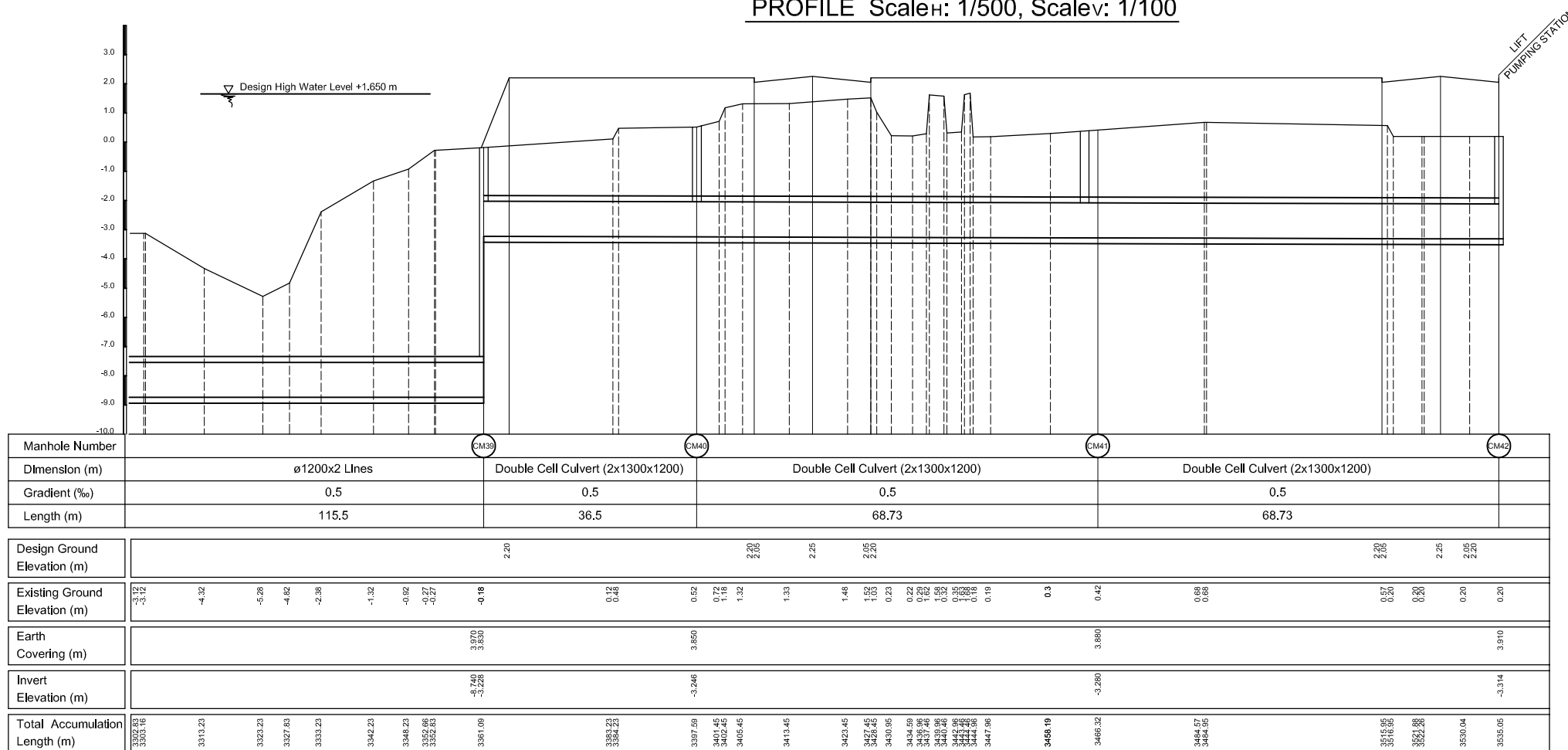


NO.	DATE	DESCRIPTIONS	BY	APRO.
REVISIONS				
PROJECT MANAGEMENT UNIT FOR HO CHI MINH CITY WATER ENVIRONMENT IMPROVEMENT				
THE DETAILED DESIGN ON HO CHI MINH CITY WATER ENVIRONMENT IMPROVEMENT PROJECT IN THE SOCIALIST REPUBLIC OF VIET NAM				
PACKAGE E CONVEYANCE SEWER CONSTRUCTION				
PLAN AND PROFILE OF CONVEYANCE SEWER AND O/M ROAD (1)				
SCALE :		H : 1/500	V : 1/100	
JICA JAPAN INTERNATIONAL COOPERATION AGENCY (JICA)				
PACIFIC CONSULTANTS INTERNATIONAL				
DESIGNED KIMURA TORU		CHECKED KONDO MASAMI		
DATE : JUNE 2001		DWG. No. PE - WWTP - 230-01		

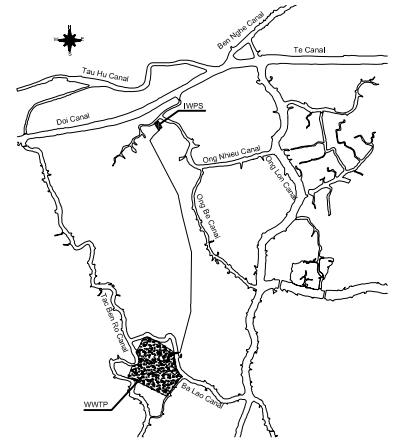
PLAN Scale: 1/500



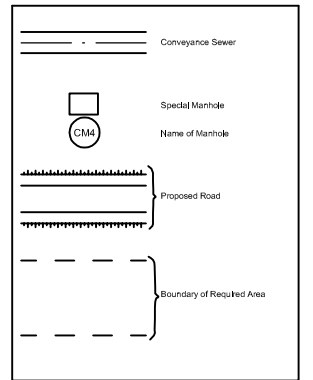
PROFILE Scale: 1/500, Scale: 1/100



KEY MAP Scale: 1/50000

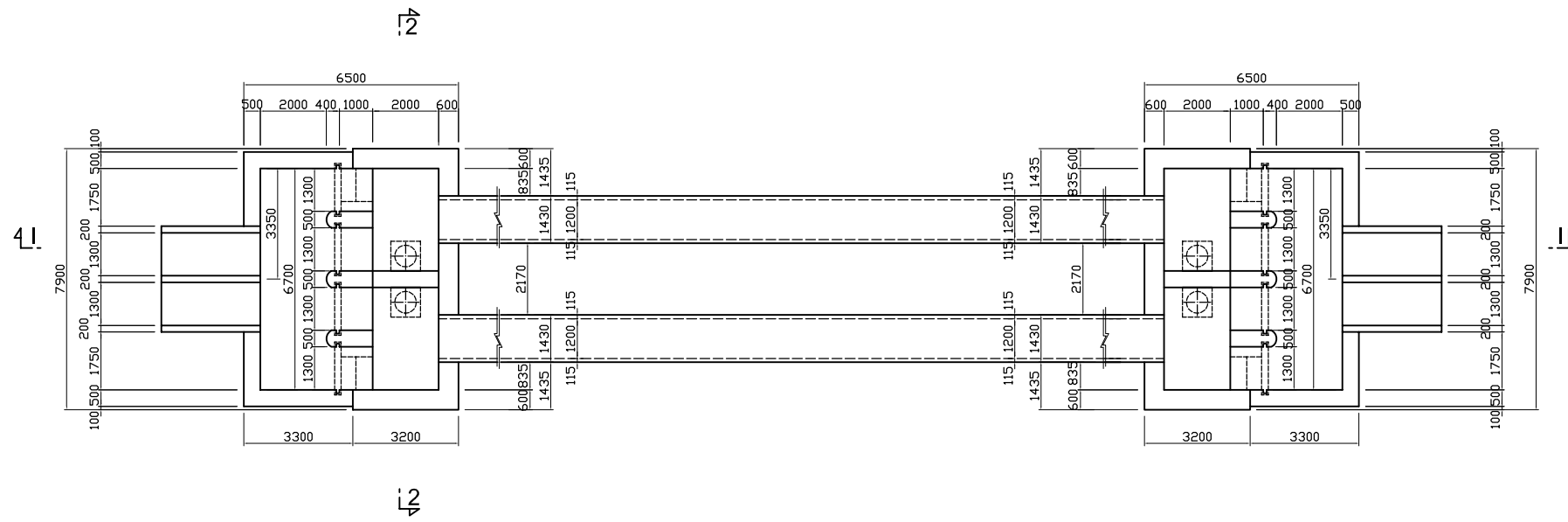


LEGEND

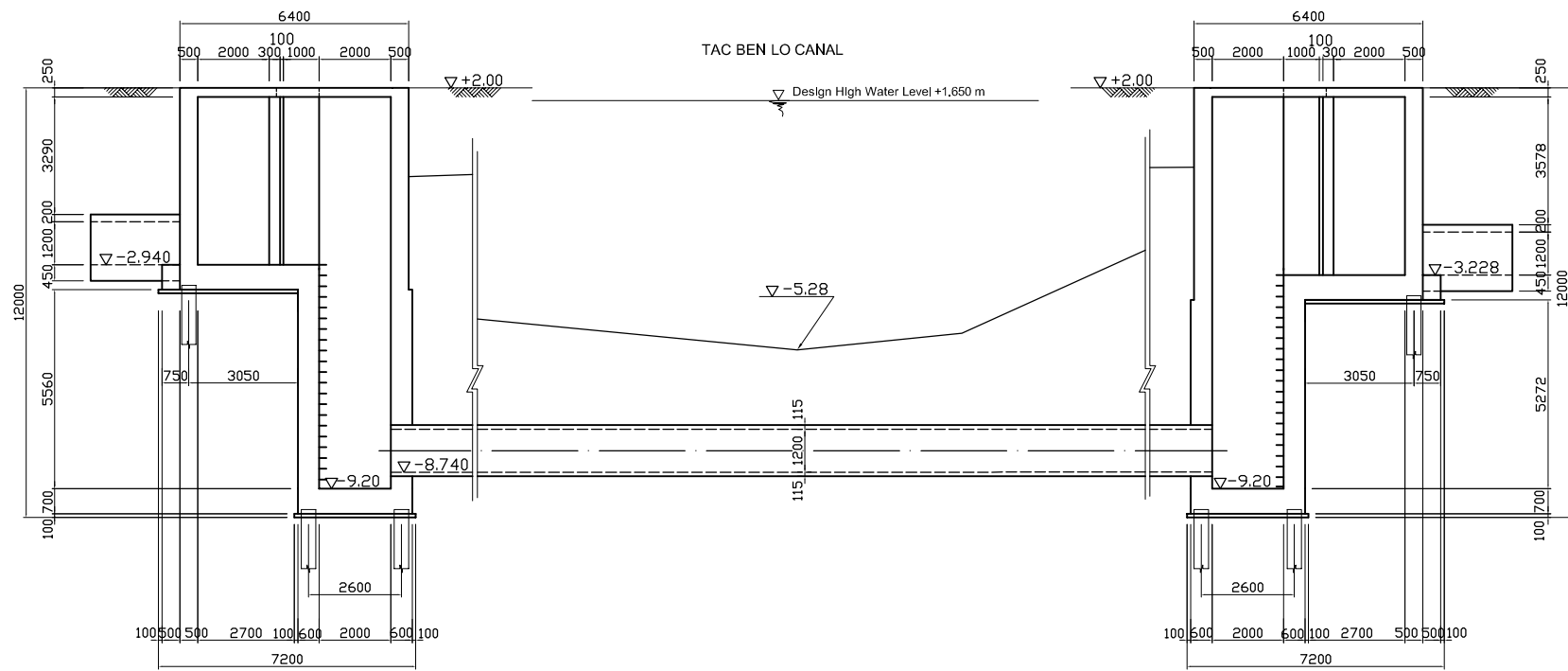


NO.	DATE	DESCRIPTIONS	BY	APRO.
REVISIONS				
PROJECT MANAGEMENT UNIT FOR HO CHI MINH CITY WATER ENVIRONMENT IMPROVEMENT				
THE DETAILED DESIGN ON HO CHI MINH CITY WATER ENVIRONMENT IMPROVEMENT PROJECT IN THE SOCIALIST REPUBLIC OF VIET NAM				
PACKAGE E CONVEYANCE SEWER CONSTRUCTION PLAN AND PROFILE OF CONVEYANCE SEWER AND O/M ROAD (2)				
SCALE :		H : 1/500	V : 1/100	
JICA JAPAN INTERNATIONAL COOPERATION AGENCY (JICA)				
PACIFIC CONSULTANTS INTERNATIONAL				
DESIGNED KIMURA TORU		CHECKED KONDO MASAMI		
DATE : JUNE 2001		DWG. No. PE - WWTP - 230 - 02		

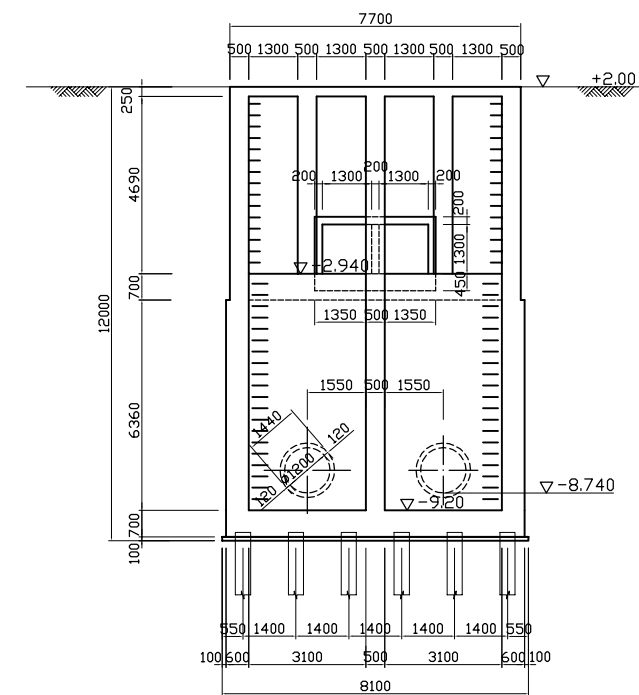
PLAN



LONGITUDINAL PROFILE (SECTION 1-1)



SECTION 2-2



NO.	DATE	DESCRIPTIONS	BY	APRO.
-----	------	--------------	----	-------

REVISIONS

PROJECT MANAGEMENT UNIT FOR
HO CHI MINH CITY
WATER ENVIRONMENT IMPROVEMENT

THE DETAILED DESIGN STUDY ON HO CHI MINH CITY
WATER ENVIRONMENT IMPROVEMENT PROJECT
IN THE SOCIALIST REPUBLIC OF VIET NAM

PACKAGE E
CONVEYANCE SEWER CONSTRUCTION

PLAN AND SECTION OF SIPHON
FOR TAC BEN RO CANAL CROSSING

SCALE : 1 / 100

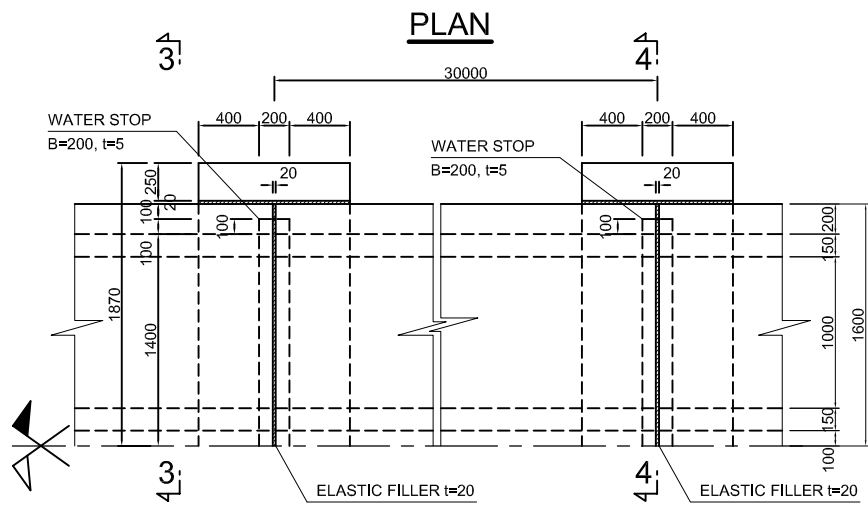
JICA JAPAN INTERNATIONAL COOPERATION
AGENCY (JICA)

PACIFIC CONSULTANTS INTERNATIONAL

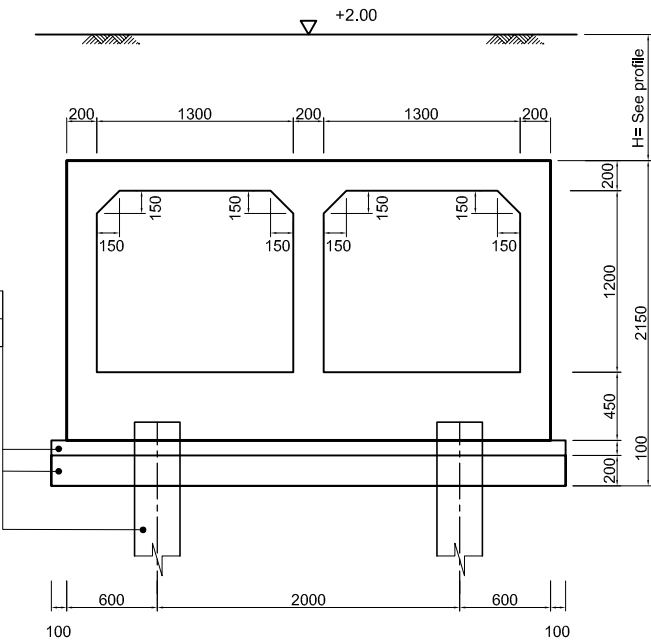
DESIGNED KIMURA TORU	CHECKED KONDO MASAMI
-------------------------	-------------------------

DATE : JUNE 2001 DWG. No. PE - WWTP - 231 - 01

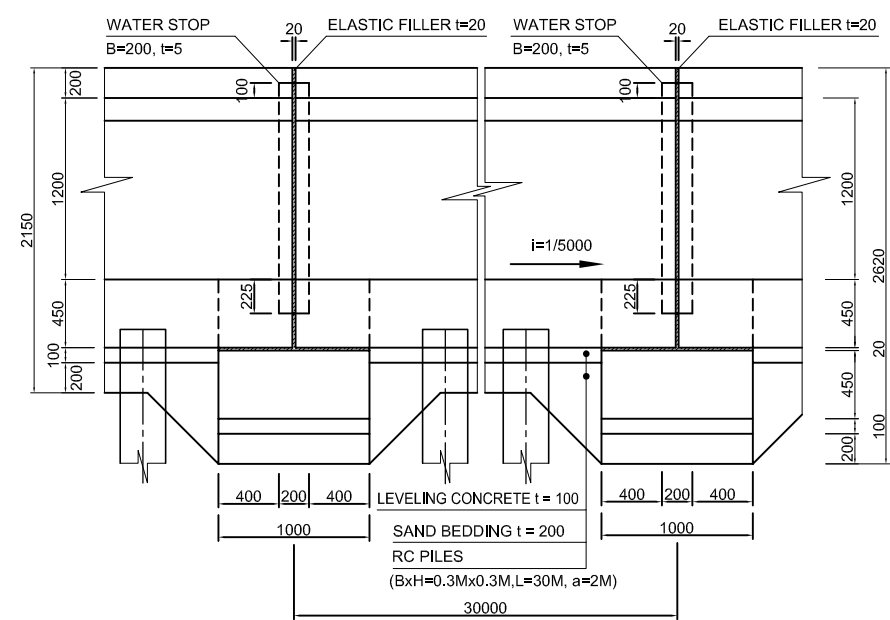
CONVEYANCE SEWER TYPE 2



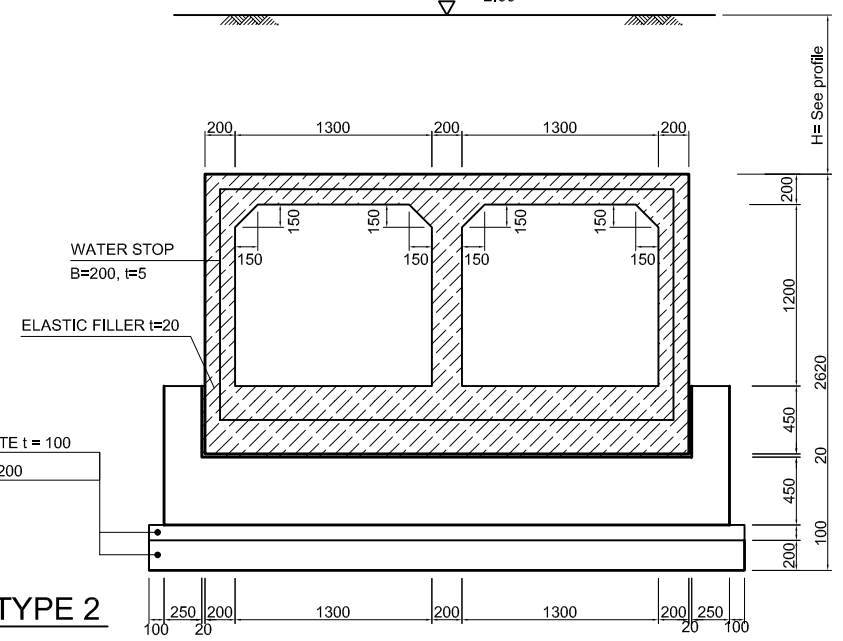
SECTION 3-3



PROFILE

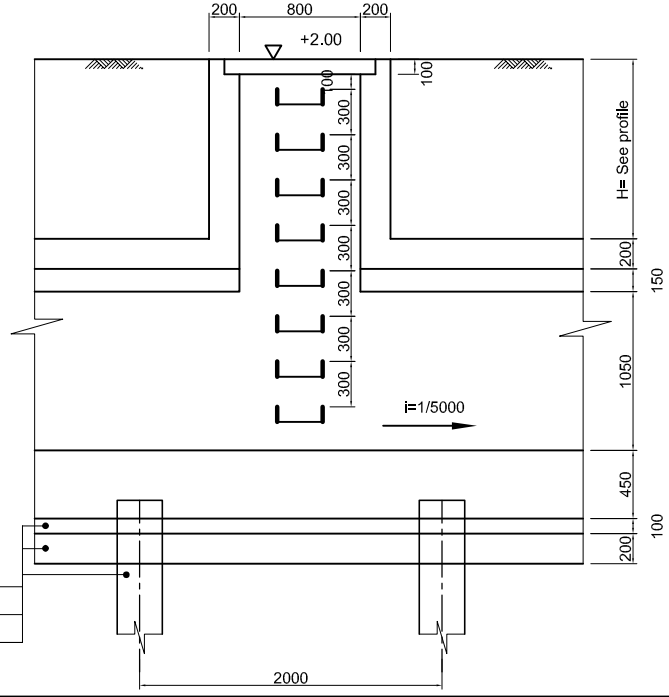


SECTION 4-4

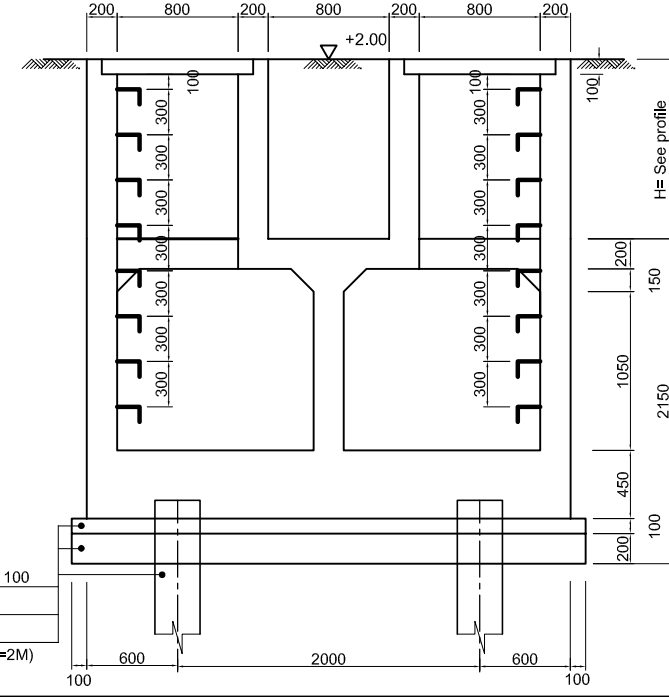


MANHOLE FOR CONVEYANCE SEWER TYPE 2

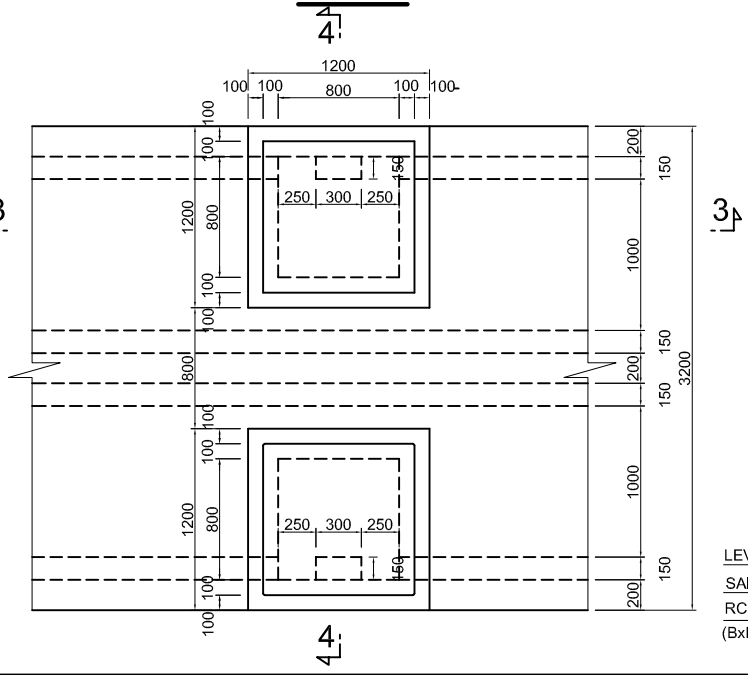
SECTION 3-3



SECTION 4-4



PLAN 2



NO.	DATE	DESCRIPTIONS	BY	APRO.
REVISIONS				
PROJECT MANAGEMENT UNIT FOR HO CHI MINH CITY WATER ENVIRONMENT IMPROVEMENT				
THE DETAILED DESIGN STUDY ON HO CHI MINH CITY WATER ENVIRONMENT IMPROVEMENT PROJECT IN THE SOCIALIST REPUBLIC OF VIET NAM				
PACKAGE E CONVEYANCE SEWER CONSTRUCTION				
PLAN, PROFILE AND SECTION FOR SEWER AND MANHOLE OF CONVEYANCE SEWER				
SCALE : 1 / 25				
JICA JAPAN INTERNATIONAL COOPERATION AGENCY (JICA)				
PACIFIC CONSULTANTS INTERNATIONAL				
DESIGNED KIMURA TORU		CHECKED KONDO MASAMI		
DATE : JUNE 2001		DWG. No. PE - WWTP - 232 - 01		