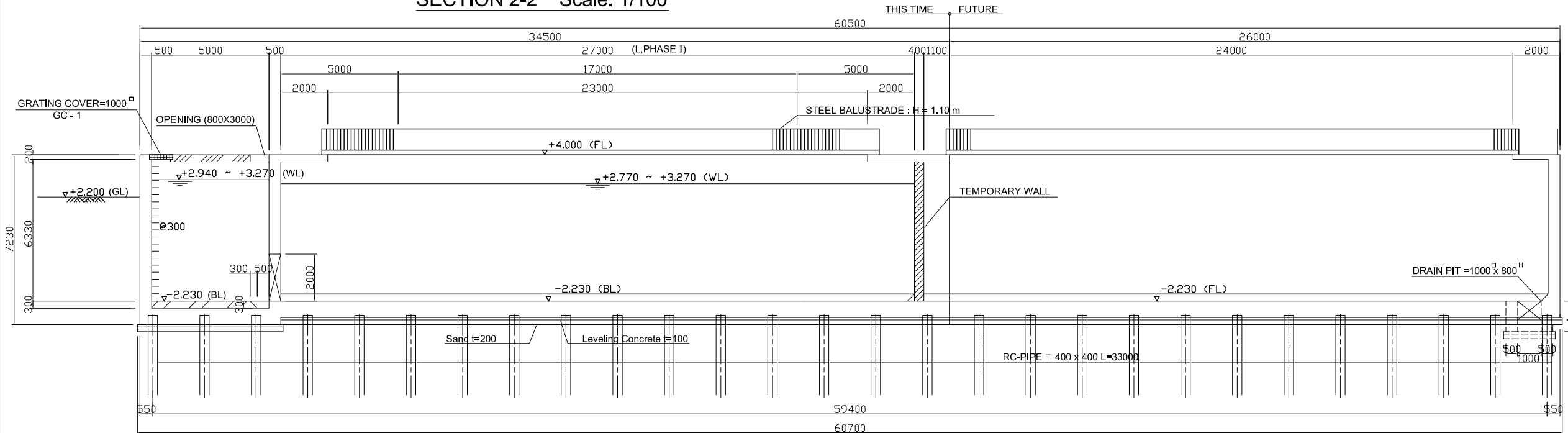
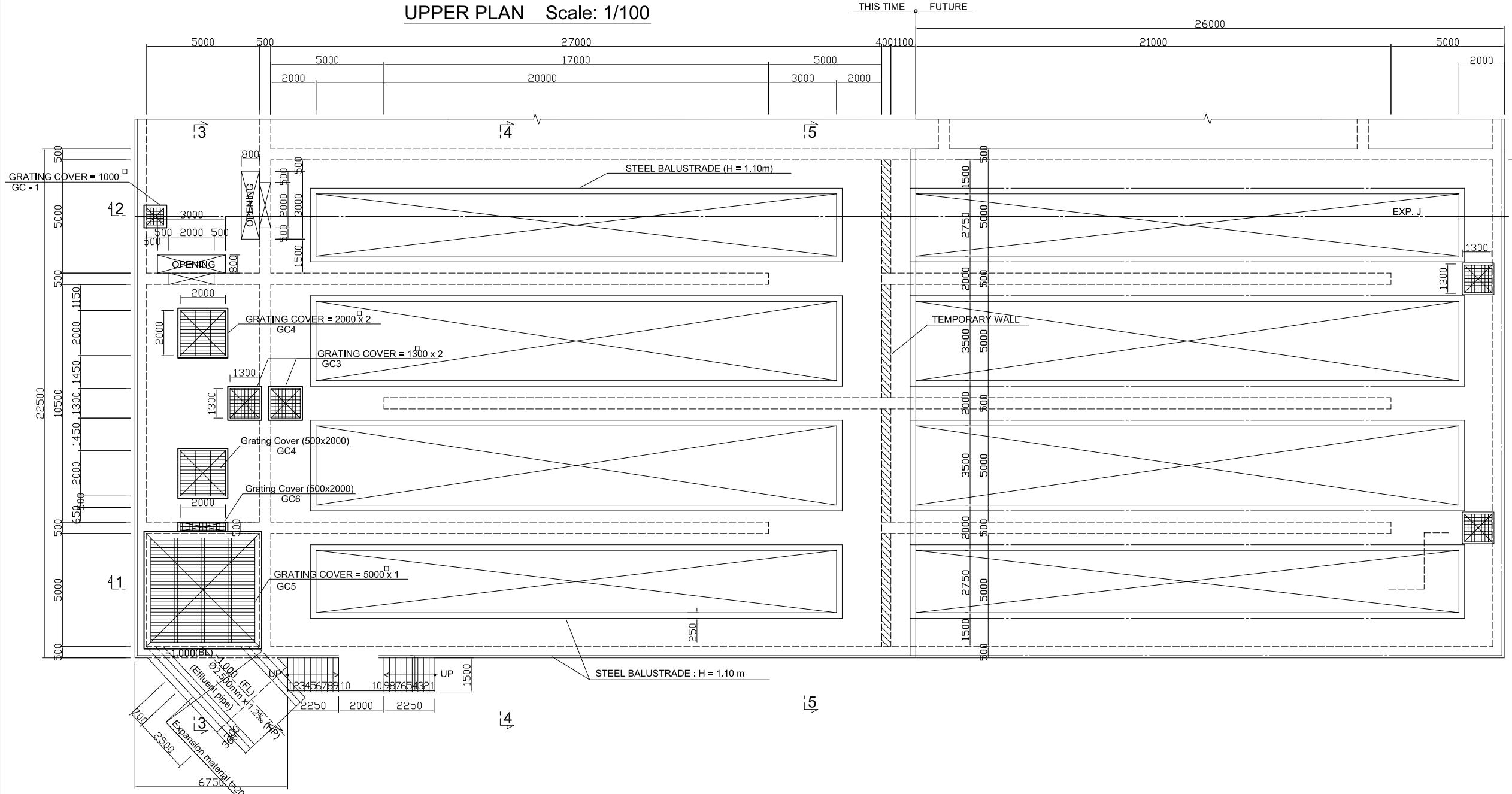


GRATING COVER OF DISINFECTION TANK KEY PLAN and SECTION

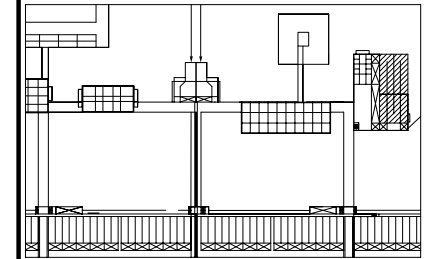
SECTION 2-2 Scale: 1/100



UPPER PLAN Scale: 1/100



KEY PLAN



NOTES :

- ALL DIMENSIONS ARE MM UNLESS STATED OTHERWISE
- CONCRETE E21
- LEVELLING CONCRETE G10
- ALL REINFORCEMENT BARS ARE DEFORMED TYPE (CT5 OR EQUIVALENT AS INDICATED IN SPECIFICATION OF PACKAGE E)
- THE SPECIFICATION TO BE REFERRED FOR MORE INFORMATION OF MATERIAL GRADES
- PILE LOCATION SHOWN ON PILE ARRANGEMENT DWG. No. PE - WWTP - 254 - 01
- DETAILS OF R.C PILE SHOWN ON DWG. No. PE - WWTP - 265 - 01

| NO. | DATE | DESCRIPTIONS | BY | APRO. |
|-----|------|--------------|----|-------|
| | | | | |

REVISIONS

PROJECT MANAGEMENT UNIT FOR
HO CHI MINH CITY
WATER ENVIRONMENT IMPROVEMENT

THE DETAILED DESIGN STUDY ON HO CHI MINH CITY
WATER ENVIRONMENT IMPROVEMENT PROJECT
IN THE SOCIALIST REPUBLIC OF VIET NAM

PACKAGE E
WASTEWATER TREATMENT PLANT

GRATING COVER OF DISINFECTION TANK KEY PLAN and SECTION

SCALE: 1/100

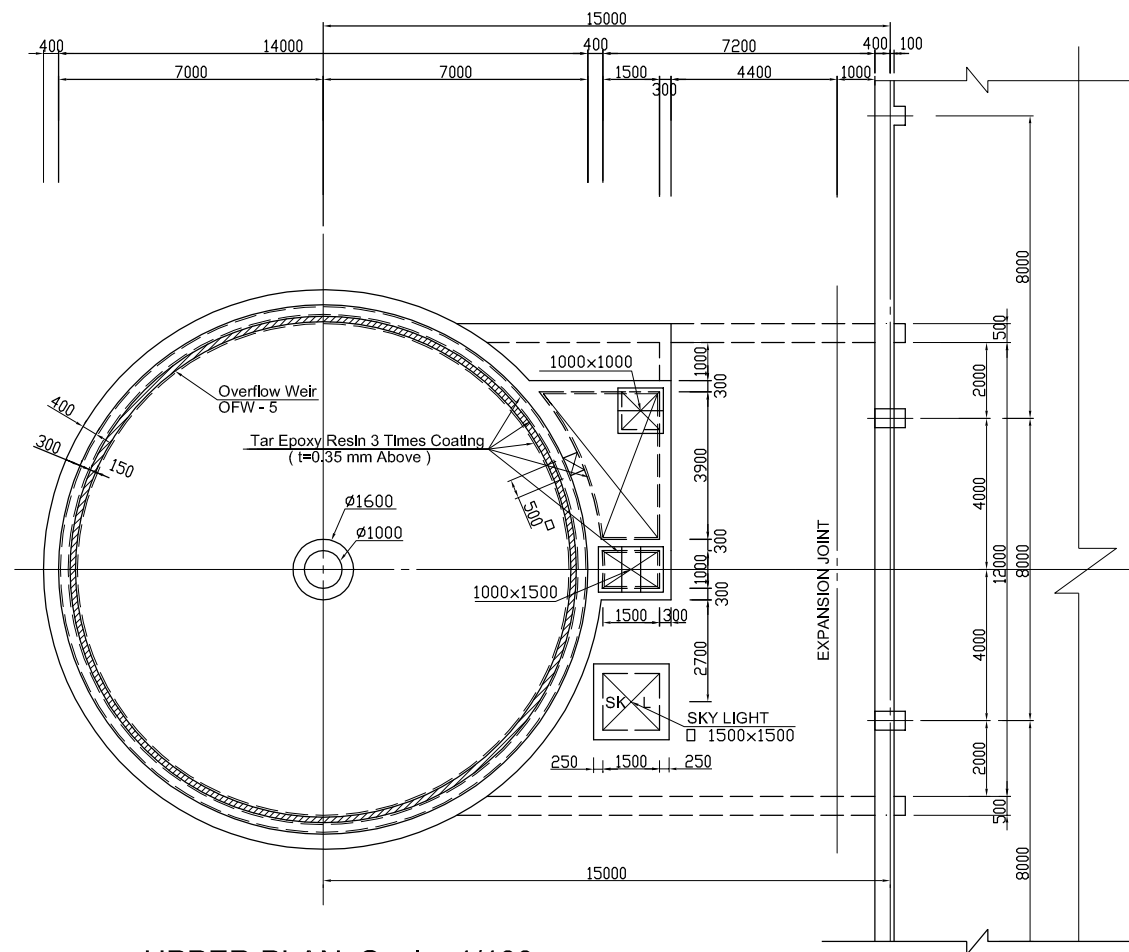
JICA JAPAN INTERNATIONAL COOPERATION AGENCY (JICA)

PACIFIC CONSULTANTS INTERNATIONAL

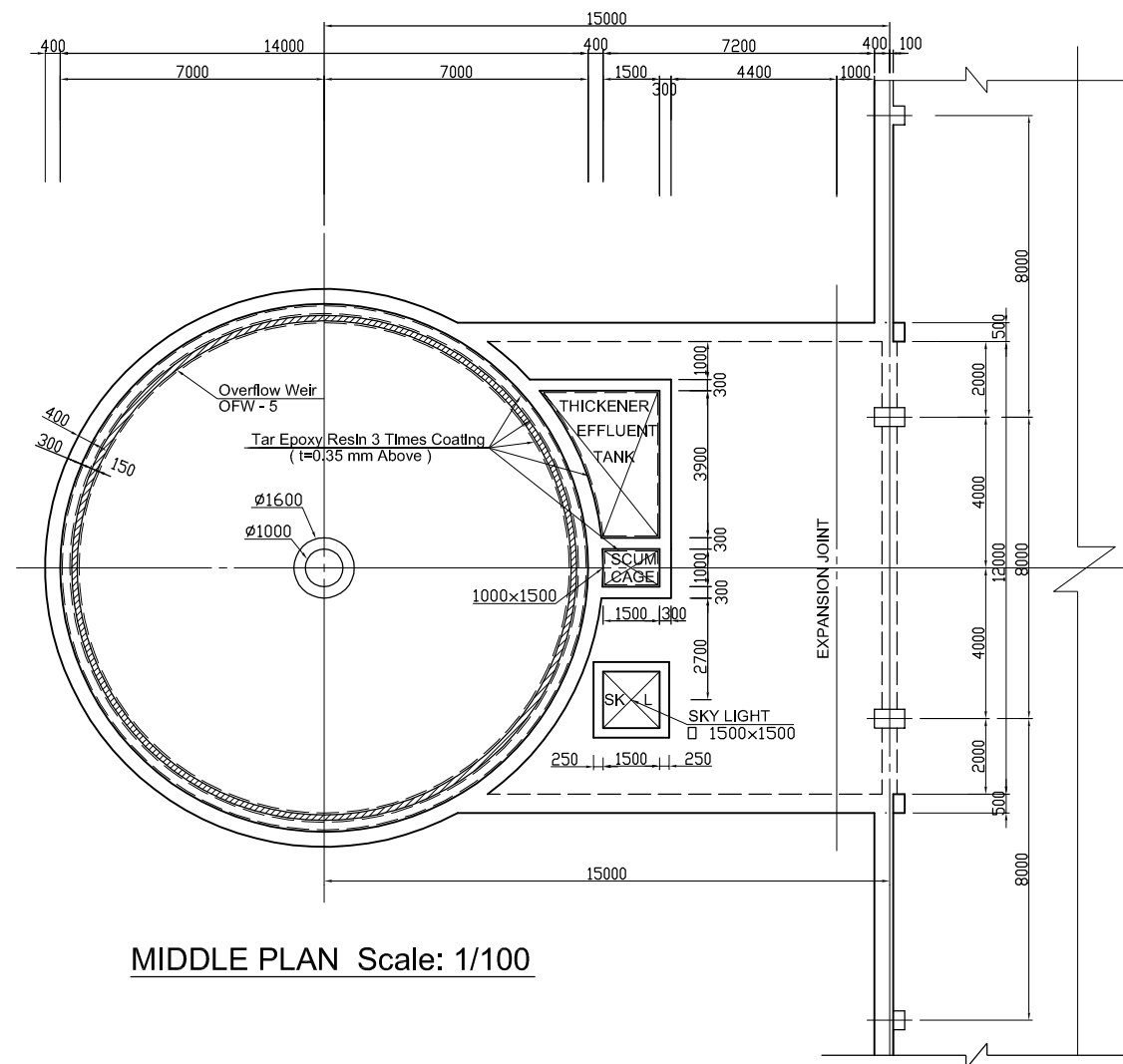
DESIGNED: KIMURA TORU
CHECKED: KONDO MASAMI

DATE: JUNE 2001 DWG. No. PE - WWTP - 229 - 18

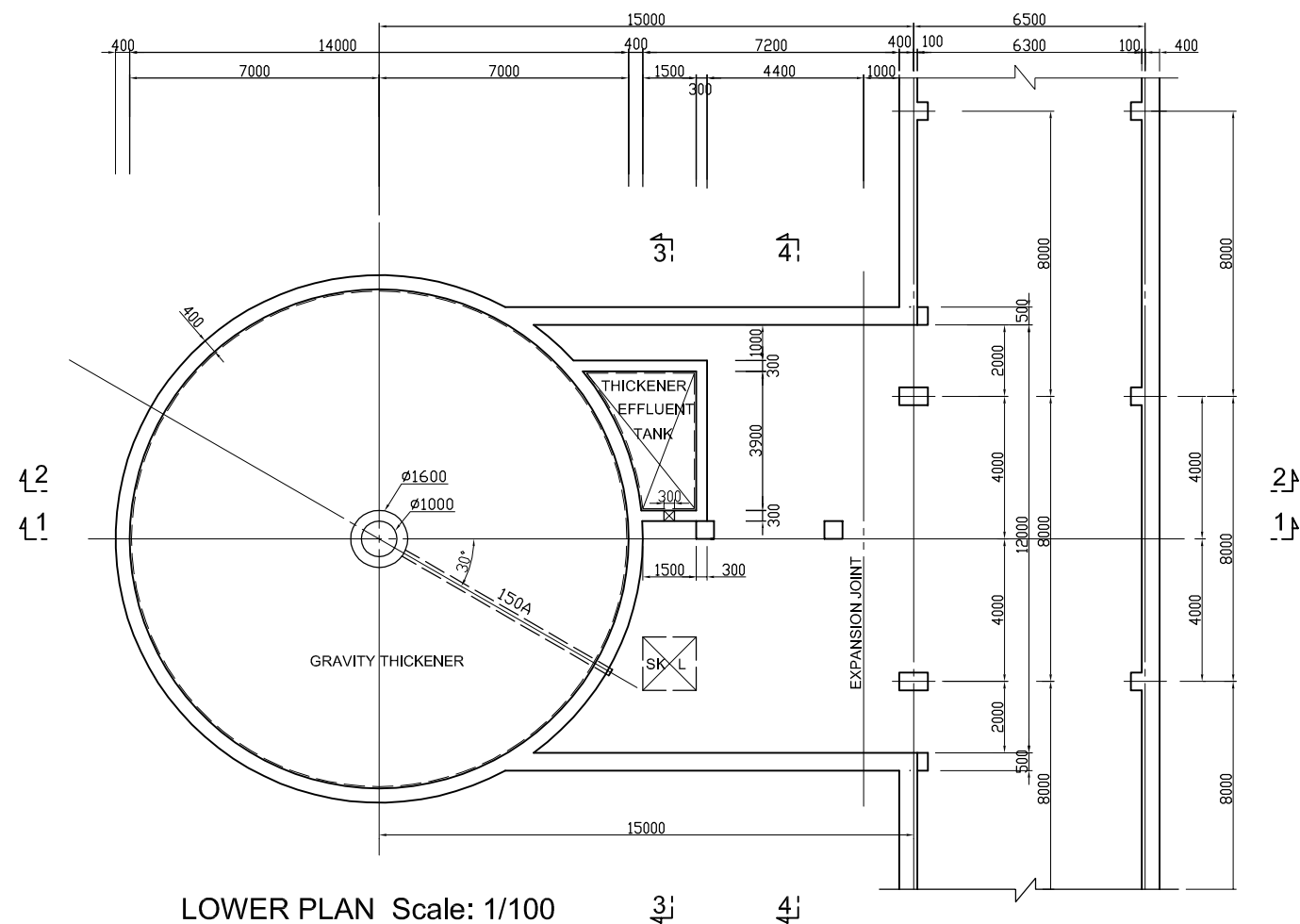
OVERFLOW WEIR OF GRAVITY THICKENER KEY PLAN



UPPER PLAN Scale: 1/100

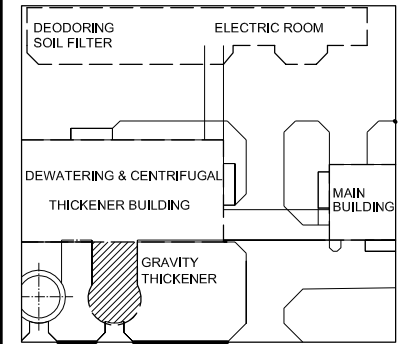


MIDDLE PLAN Scale: 1/100



LOWER PLAN Scale: 1/100

KEY PLAN



NOTES :

- ALL DIMENSIONS ARE MM UNLESS STATED OTHERWISE
- CONCRETE E21
- LEVELLING CONCRETE G10
- ALL REINFORCEMENT BARS ARE DEFORMED TYPE (CT5 OR EQUIVALENT AS INDICATED IN SPECIFICATION OF PACKAGE E)
- THE SPECIFICATION TO BE REFERRED FOR MORE INFORMATION OF MATERIAL GRADES

| NO. | DATE | DESCRIPTIONS | BY | APRO. |
|-----|------|--------------|----|-------|
|-----|------|--------------|----|-------|

REVISIONS

PROJECT MANAGEMENT UNIT FOR
HO CHI MINH CITY
WATER ENVIRONMENT IMPROVEMENT

THE DETAILED DESIGN ON HO CHI MINH CITY
WATER ENVIRONMENT IMPROVEMENT PROJECT
IN THE SOCIALIST REPUBLIC OF VIET NAM

PACKAGE E
WASTE WATER TREATMENT PLANT

OVERFLOW WEIR OF
GRAVITY THICKENER
PLAN

SCALE: 1 / 100

JICA JAPAN INTERNATIONAL COOPERATION
AGENCY (JICA)

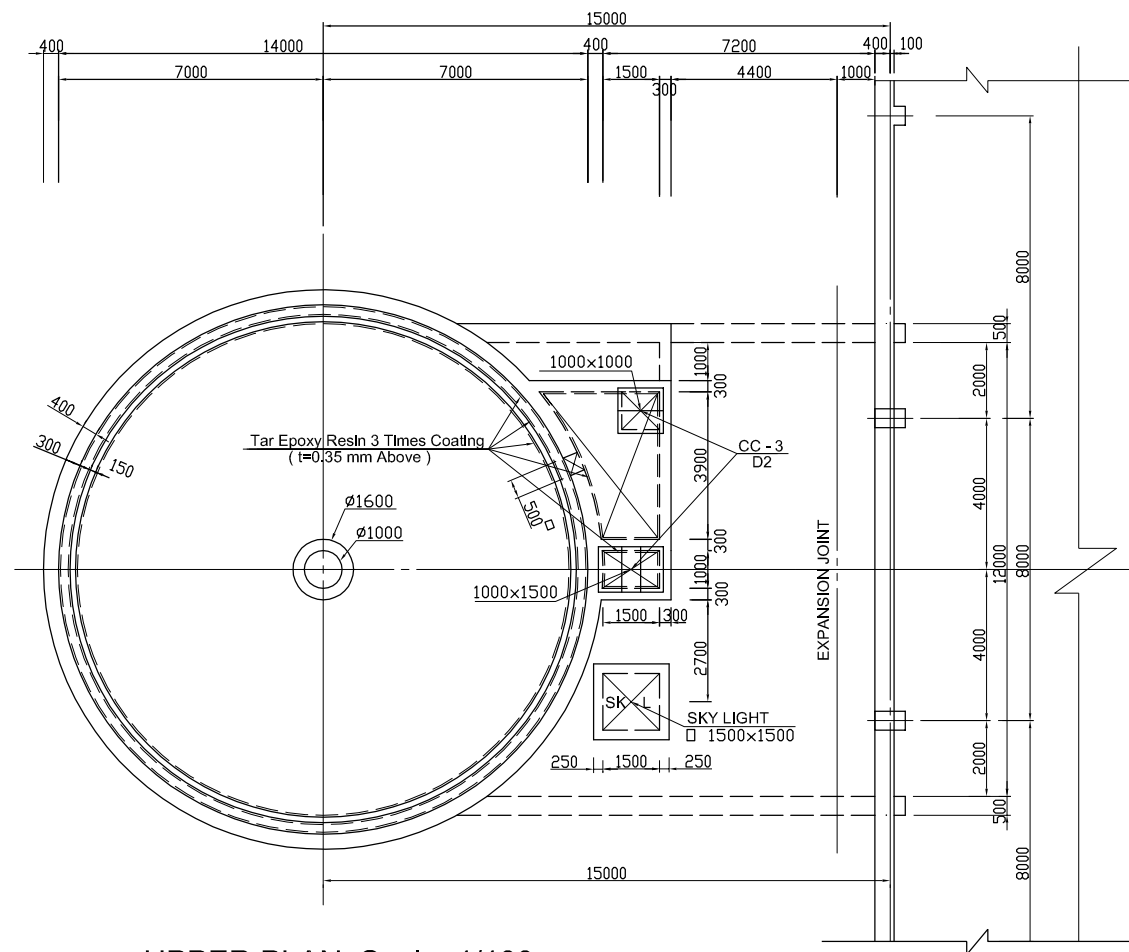
PACIFIC CONSULTANTS INTERNATIONAL

DESIGNED
KIMURA TORU

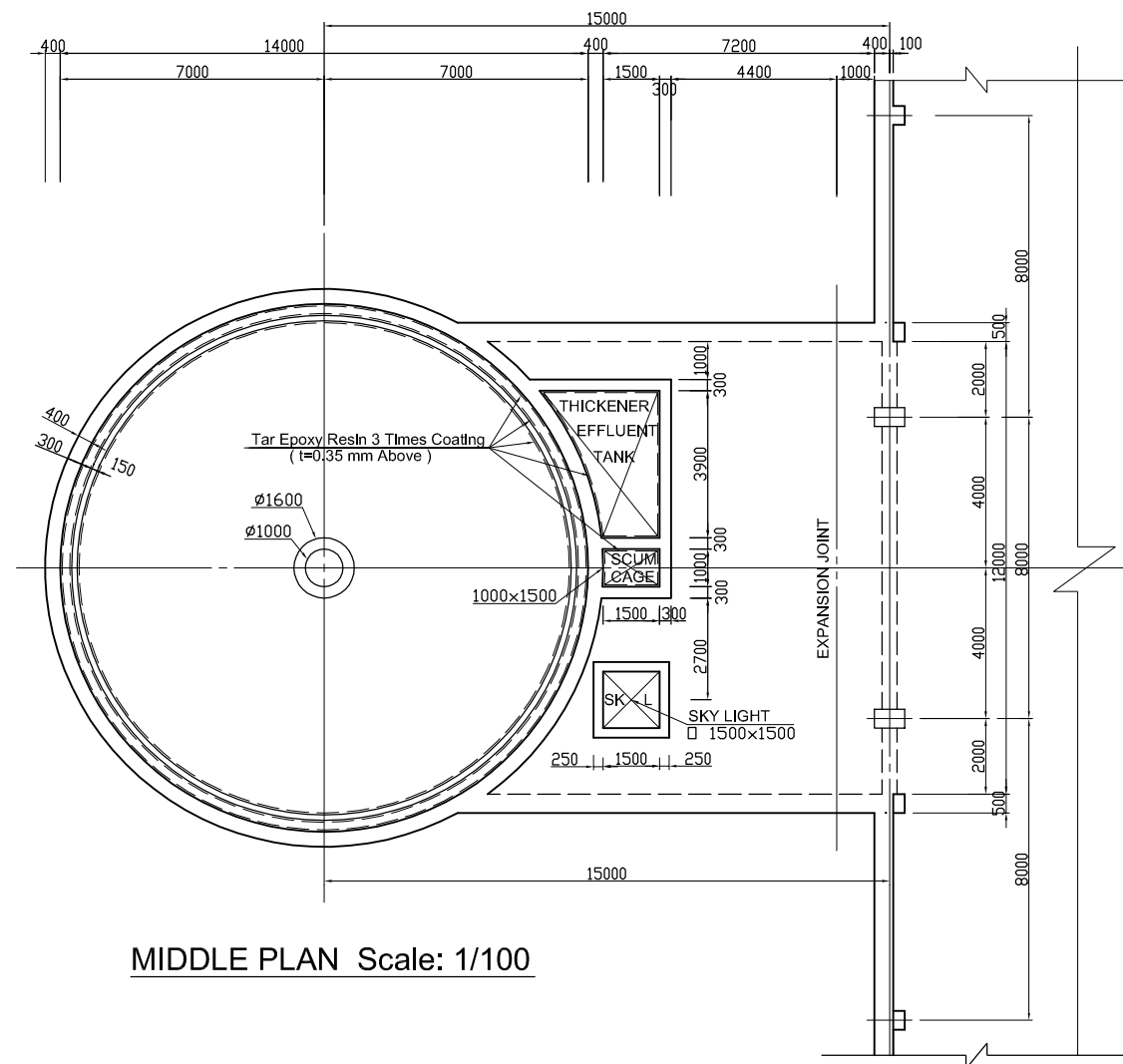
CHECKED
KONDO MASAMI

DATE : JUNE 2001 DWG. No. PE - WWTP - 229 - 19

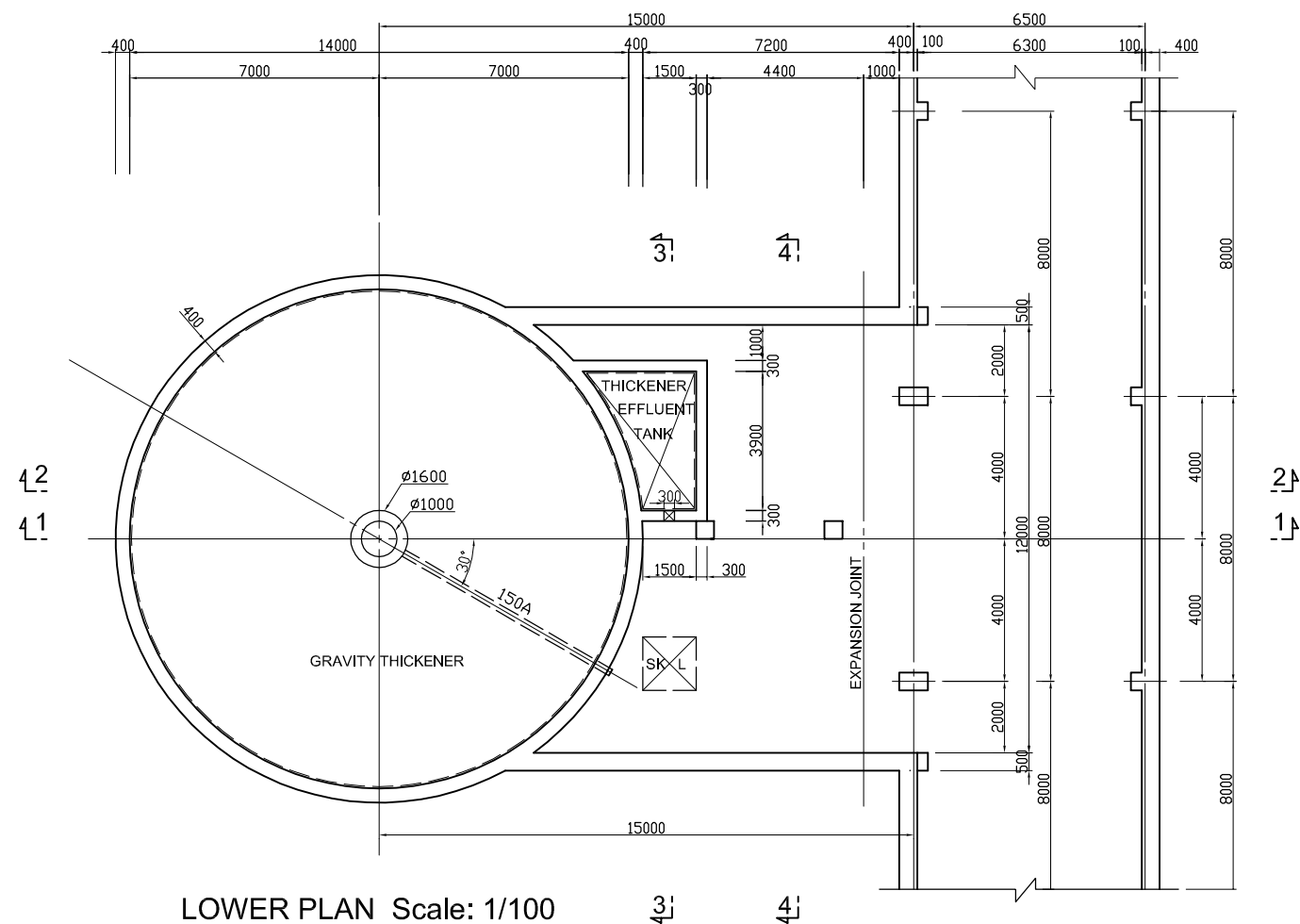
CONCRETE COVER OF GRAVITY THICKENER KEY PLAN



UPPER PLAN Scale: 1/100

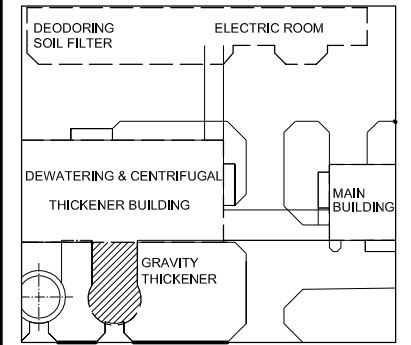


MIDDLE PLAN Scale: 1/100



LOWER PLAN Scale: 1/100

KEY PLAN



NOTES :

- ALL DIMENSIONS ARE MM UNLESS STATED OTHERWISE
- CONCRETE E21
- LEVELLING CONCRETE G10
- ALL REINFORCEMENT BARS ARE DEFORMED TYPE (CT5 OR EQUIVALENT AS INDICATED IN SPECIFICATION OF PACKAGE E)
- THE SPECIFICATION TO BE REFERRED FOR MORE INFORMATION OF MATERIAL GRADES

| NO. | DATE | DESCRIPTIONS | BY | APRO. |
|-----|------|--------------|----|-------|
|-----|------|--------------|----|-------|

REVISIONS

PROJECT MANAGEMENT UNIT FOR
HO CHI MINH CITY
WATER ENVIRONMENT IMPROVEMENT

THE DETAILED DESIGN ON HO CHI MINH CITY
WATER ENVIRONMENT IMPROVEMENT PROJECT
IN THE SOCIALIST REPUBLIC OF VIET NAM

PACKAGE E
WASTE WATER TREATMENT PLANT

CONCRETE COVER OF
GRAVITY THICKENER
KEY PLAN

SCALE: 1 / 100

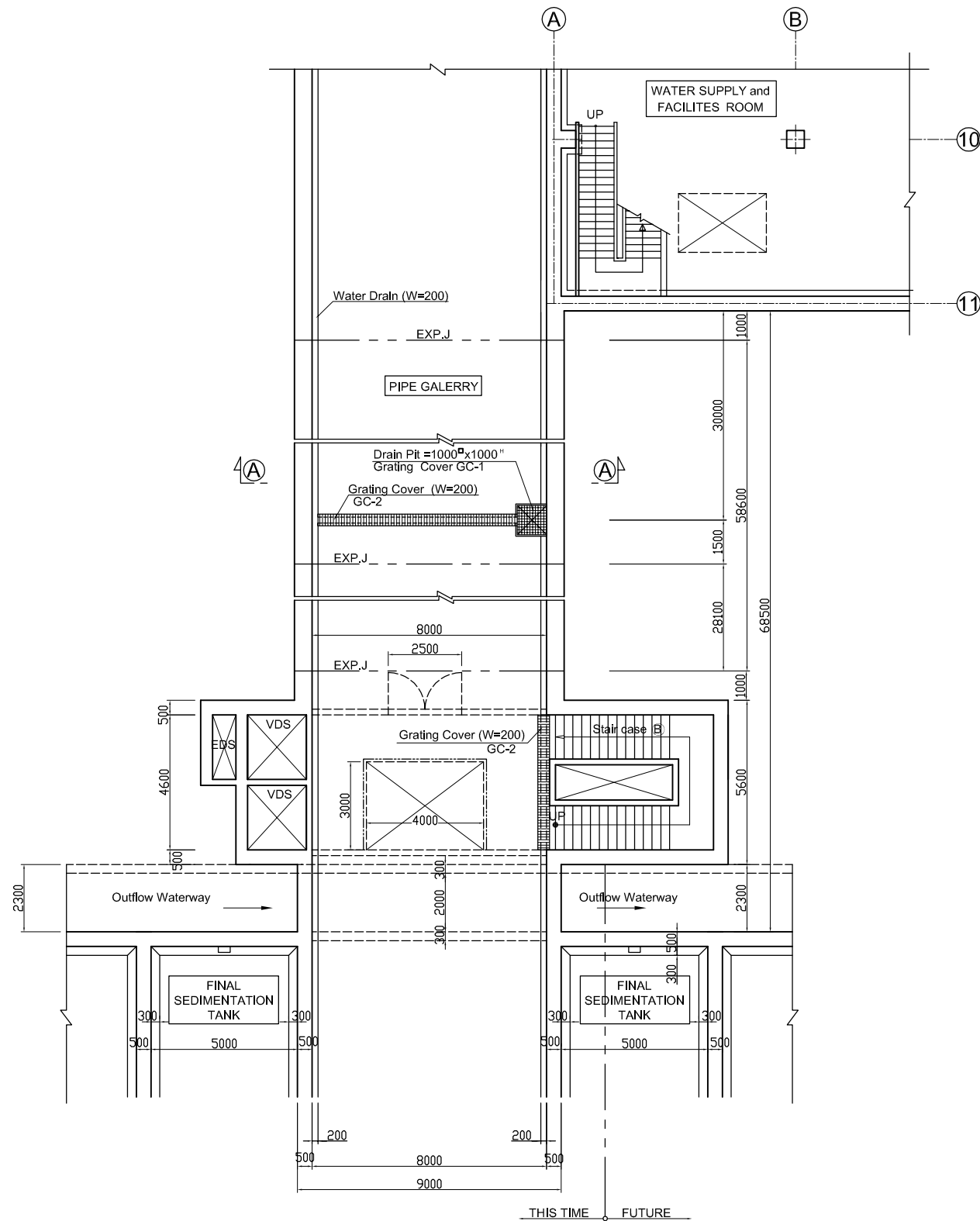
JICA JAPAN INTERNATIONAL COOPERATION
AGENCY (JICA)

PACIFIC CONSULTANTS INTERNATIONAL

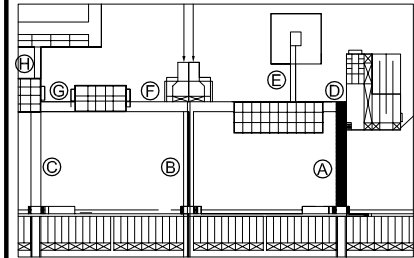
| | |
|-------------------------|-------------------------|
| DESIGNED KIMURA TORU | CHECKED KONDO MASAMI |
|-------------------------|-------------------------|

DATE : JUNE 2001 DWG. No. PE - WWTP - 229 - 20

GRATING COVER OF PIPE GALLERY (A) KEY PLAN Scale: 1/100



KEY PLAN



© = Future

NOTES :

- ALL DIMENSIONS ARE MM UNLESS STATED OTHERWISE
- CONCRETE E21
- LEVELLING CONCRETE G10
- ALL REINFORCEMENT BARS ARE DEFORMED TYPE (CT5 OR EQUIVALENT AS INDICATED IN SPECIFICATION OF PACKAGE E)
- THE SPECIFICATION TO BE REFERRED FOR MORE INFORMATION OF MATERIAL GRADES

| DATE | DESCRIPTIONS | BY | APRO. |
|------|--------------|----|-------|
| | | | |
| | | | |
| | | | |
| | | | |

REVISIONS

PROJECT MANAGEMENT UNIT FOR WATER ENVIRONMENT IMPROVEMENT FOR HO CHI MINH CITY

THE DETAILED DESIGN ON HO CHI MINH CITY WATER ENVIRONMENT IMPROVEMENT PROJECT IN THE SOCIALIST REPUBLIC OF VIET NAM

PACKAGE E
WASTEWATER TREATMENT PLANT

GRATING COVER OF
PIPE GALLERY (A) KEY PLAN

SCALE: 1 / 100

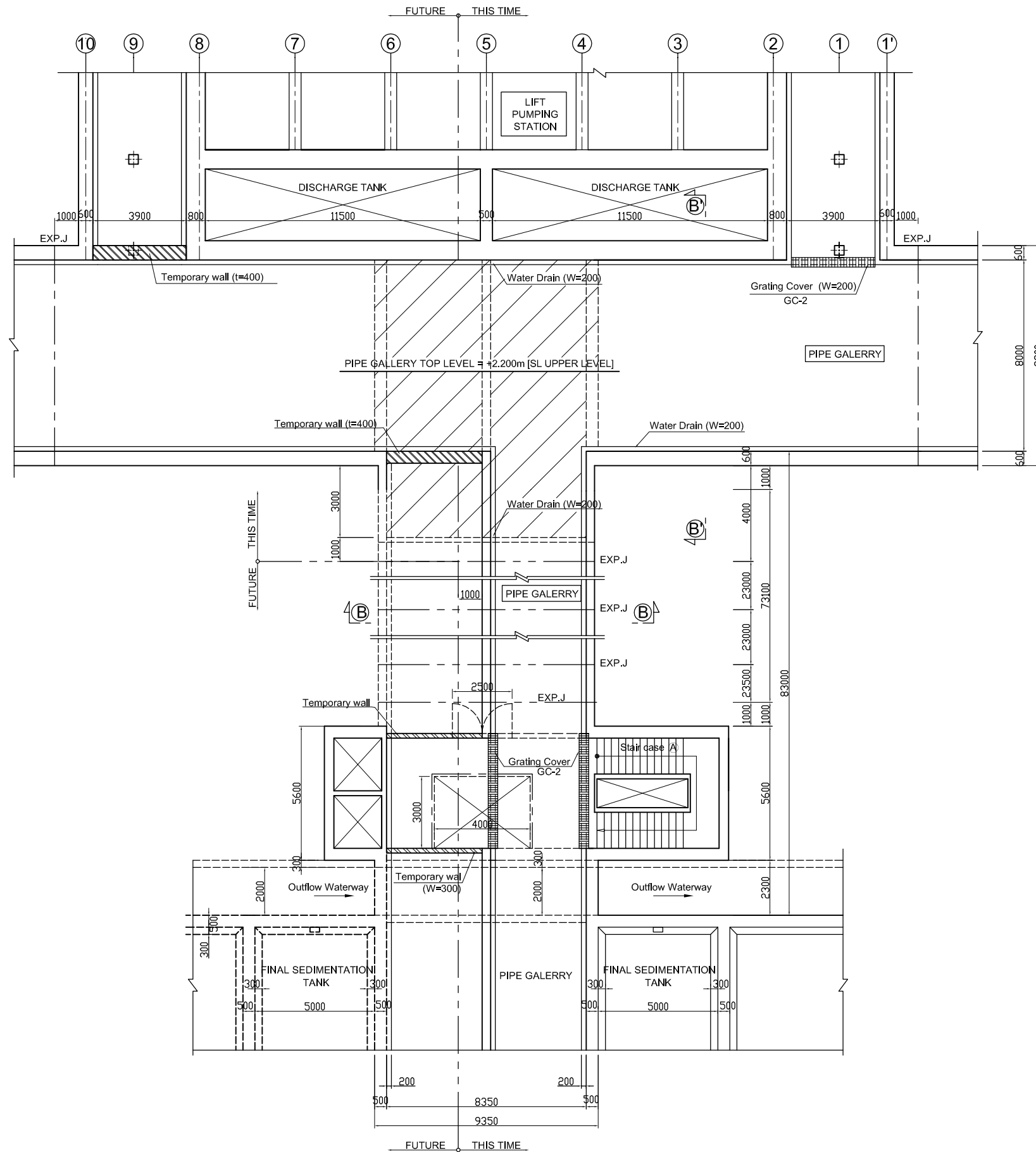
JICA JAPAN INTERNATIONAL COOPERATION AGENCY (JICA)

PACIFIC CONSULTANTS INTERNATIONAL

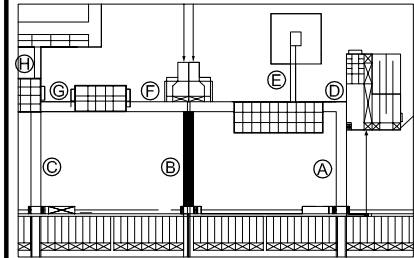
| | |
|-------------------------|-------------------------|
| DESIGNED KIMURA TORU | CHECKED KONDO MASAMI |
|-------------------------|-------------------------|

DATE : JUNE 2001 DWG. No. PE - WWTP - 229 - 21

GRATING COVER OF PIPE GALLERY (B) KEY PLAN Scale: 1/ 100



KEY PLAN



ⓐ = Future

NOTES :

- ALL DIMENSIONS ARE MM UNLESS STATED OTHERWISE
- CONCRETE E21
- LEVELLING CONCRETE G10
- ALL REINFORCEMENT BARS ARE DEFORMED TYPE (CT5 OR EQUIVALENT AS INDICATED IN SPECIFICATION OF PACKAGE E)
- THE SPECIFICATION TO BE REFERRED FOR MORE INFORMATION OF MATERIAL GRADES

| DATE | DESCRIPTIONS | BY | APRO. |
|------|--------------|----|-------|
| | | | |
| | | | |
| | | | |
| | | | |
| | | | |

REVISIONS

PROJECT MANAGEMENT UNIT FOR
WATER ENVIRONMENT IMPROVEMENT FOR
HO CHI MINH CITY

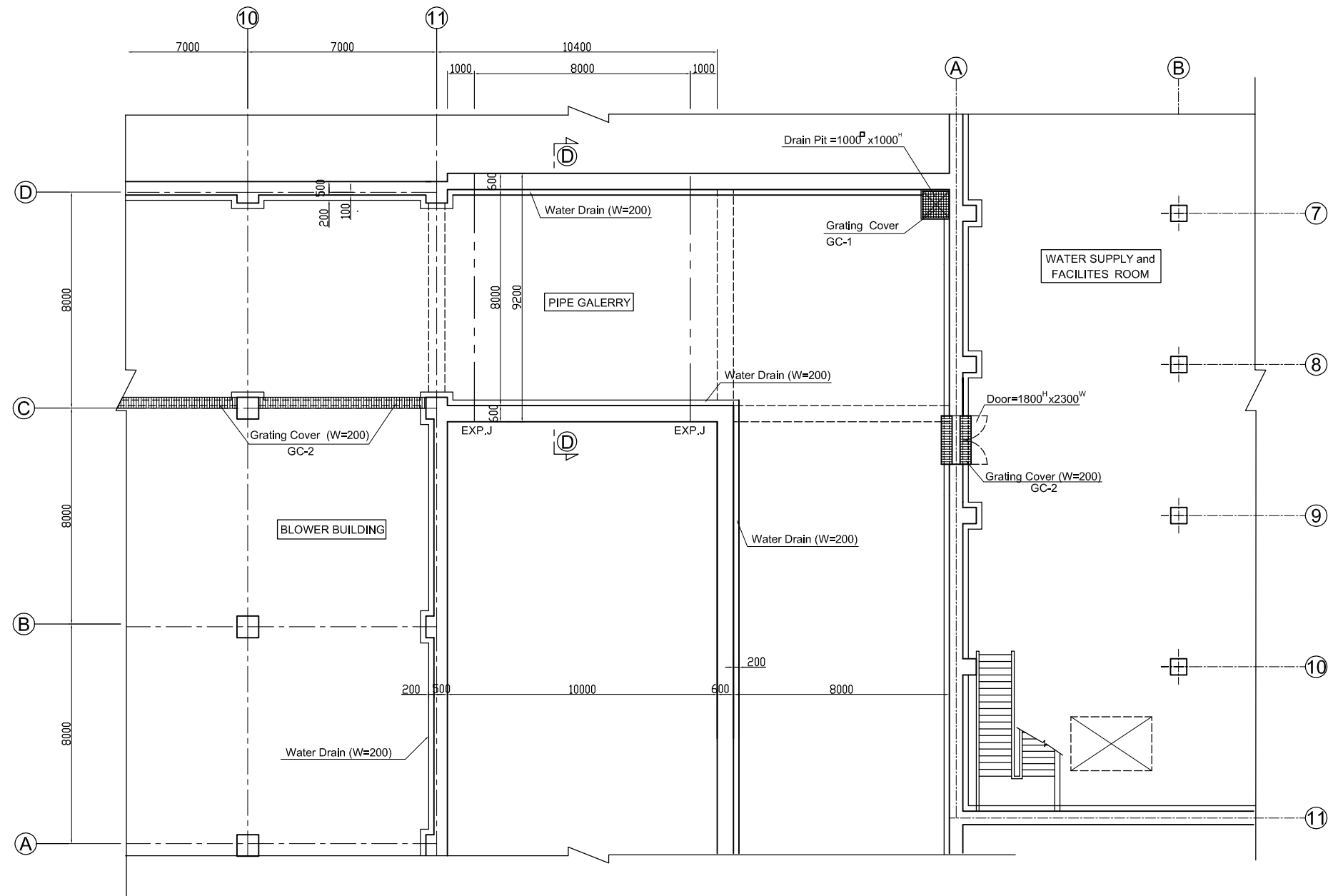
THE DETAILED DESIGN ON HO CHI MINH CITY
WATER ENVIRONMENT IMPROVEMENT PROJECT
IN THE SOCIALIST REPUBLIC OF VIET NAM

PACKAGE E
WASTEWATER TREATMENT PLANT

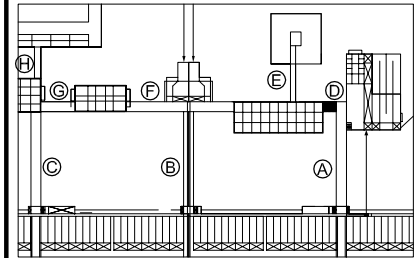
GRATING COVER OF
PIPE GALLERY (B) KEY PLAN

| | |
|---|-------------------------------|
| SCALE: 1 / 100 | |
| JAPAN INTERNATIONAL COOPERATION AGENCY (JICA) | |
| PACIFIC CONSULTANTS INTERNATIONAL | |
| DESIGNED KIMURA TORU | CHECKED KONDO MASAMI |
| DATE : JUNE 2001 | DWG. No. PE - WWTP - 229 - 22 |

GRATING COVER OF PIPE GALLERY ④ KEY PLANS Scale: 1/ 100



KEY PLAN



© = Future

NOTES :

- ALL DIMENSIONS ARE MM UNLESS STATED OTHERWISE
- CONCRETE E21
- LEVELLING CONCRETE G10
- ALL REINFORCEMENT BARS ARE DEFORMED TYPE (CT5 OR EQUIVALENT AS INDICATED IN SPECIFICATION OF PACKAGE E)
- THE SPECIFICATION TO BE REFERRED FOR MORE INFORMATION OF MATERIAL GRADES

| DATE | DESCRIPTIONS | BY | APRO. |
|------|--------------|----|-------|
| | | | |
| | | | |
| | | | |
| | | | |

REVISIONS

PROJECT MANAGEMENT UNIT FOR
WATER ENVIRONMENT IMPROVEMENT FOR
HO CHI MINH CITY

THE DETAILED DESIGN ON HO CHI MINH CITY
WATER ENVIRONMENT IMPROVEMENT PROJECT
IN THE SOCIALIST REPUBLIC OF VIET NAM

PACKAGE E
WASTEWATER TREATMENT PLANT
GRATING COVER OF
PIPE GALLERY ④ KEY PLAN

SCALE : 1 / 100

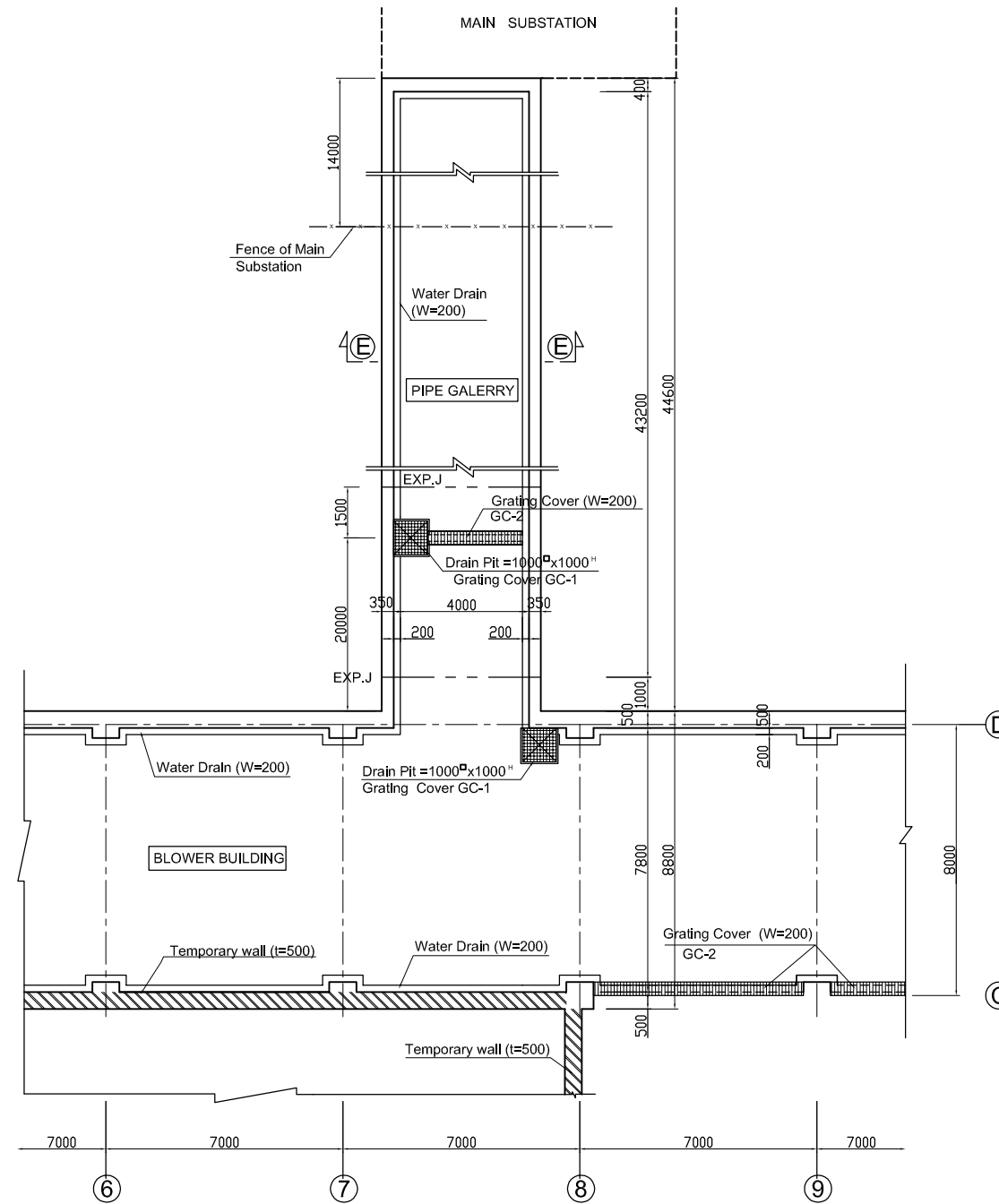
JICA JAPAN INTERNATIONAL COOPERATION
AGENCY (JICA)

PACIFIC CONSULTANTS INTERNATIONAL

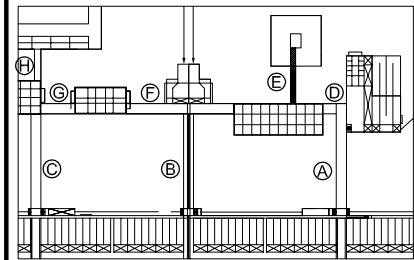
| | |
|-------------------------|-------------------------|
| DESIGNED KIMURA TORU | CHECKED KONDO MASAMI |
|-------------------------|-------------------------|

DATE : JUNE 2001 DWG. No. PE - WWTP - 229 - 23

GRATING COVER OF PIPE GALLERY (E) KEY PLAN Scale: 1/100



KEY PLAN



© = Future

NOTES :

- ALL DIMENSIONS ARE MM UNLESS STATED OTHERWISE
- CONCRETE E21
- LEVELLING CONCRETE G10
- ALL REINFORCEMENT BARS ARE DEFORMED TYPE (CT5 OR EQUIVALENT AS INDICATED IN SPECIFICATION OF PACKAGE E)
- THE SPECIFICATION TO BE REFERRED FOR MORE INFORMATION OF MATERIAL GRADES

| DATE | DESCRIPTIONS | BY | APRO. |
|------|--------------|----|-------|
| | | | |
| | | | |
| | | | |
| | | | |

REVISIONS

PROJECT MANAGEMENT UNIT FOR
WATER ENVIRONMENT IMPROVEMENT FOR
HO CHI MINH CITY

THE DETAILED DESIGN ON HO CHI MINH CITY
WATER ENVIRONMENT IMPROVEMENT PROJECT
IN THE SOCIALIST REPUBLIC OF VIET NAM

PACKAGE E
WASTEWATER TREATMENT PLANT
GRATING COVER OF
PIPE GALLERY (E) KEY PLAN

SCALE : 1/100

JICA JAPAN INTERNATIONAL COOPERATION
AGENCY (JICA)

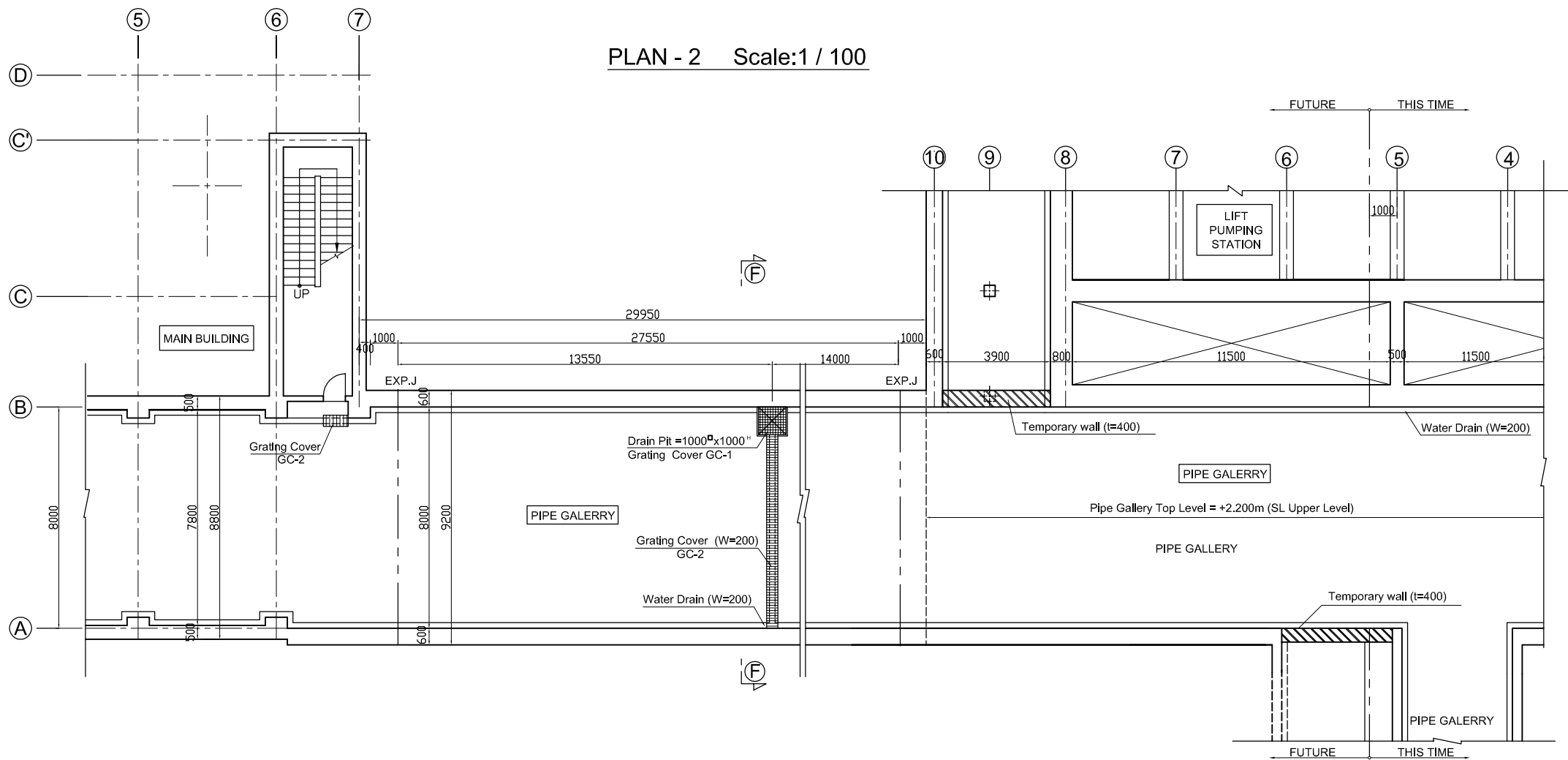
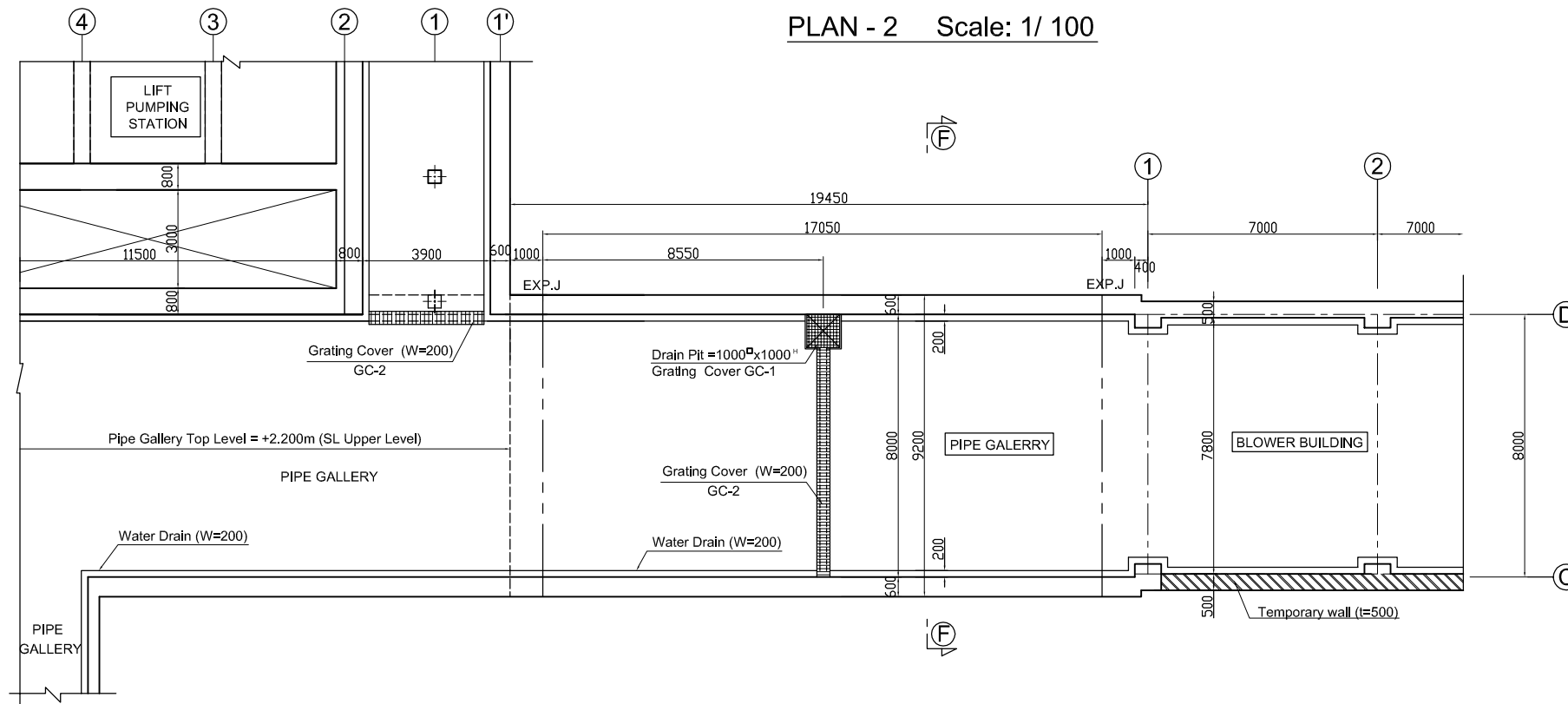
PACIFIC CONSULTANTS INTERNATIONAL

DESIGNED
KIMURA TORU

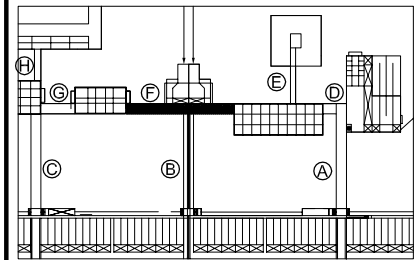
CHECKED
KONDO MASAMI

DATE : JUNE 2001 DWG. No. PE - WWTP - 229 - 24

GRATING COVER OF PIPE GALLERY (F) KEY PLAN Scale: 1 / 100



KEY PLAN



© = Future

NOTES :

- ALL DIMENSIONS ARE MM UNLESS STATED OTHERWISE
- CONCRETE E21
- LEVELLING CONCRETE G10
- ALL REINFORCEMENT BARS ARE DEFORMED TYPE (CT5 OR EQUIVALENT AS INDICATED IN SPECIFICATION OF PACKAGE E)
- THE SPECIFICATION TO BE REFERRED FOR MORE INFORMATION OF MATERIAL GRADES

| | | | |
|--|--|--|--|
| | | | |
| | | | |
| | | | |
| | | | |

| DATE | DESCRIPTIONS | BY | APRO. |
|------|--------------|----|-------|
| | | | |

REVISIONS

PROJECT MANAGEMENT UNIT FOR WATER ENVIRONMENT IMPROVEMENT FOR HO CHI MINH CITY

THE DETAILD DESIGN ON HO CHI MINH CITY WATER ENVIRONMENT IMPROVEMENT PROJECT IN THE SOCIALIST REPUBLIC OF VIET NAM

PACKAGE E WASTEWATER TREATMENT PLANT

GRATING COVER OF PIPE GALLERY (F) KEY PLAN

SCALE : 1/100

JICA JAPAN INTERNATIONAL COOPERATION AGENCY (JICA)

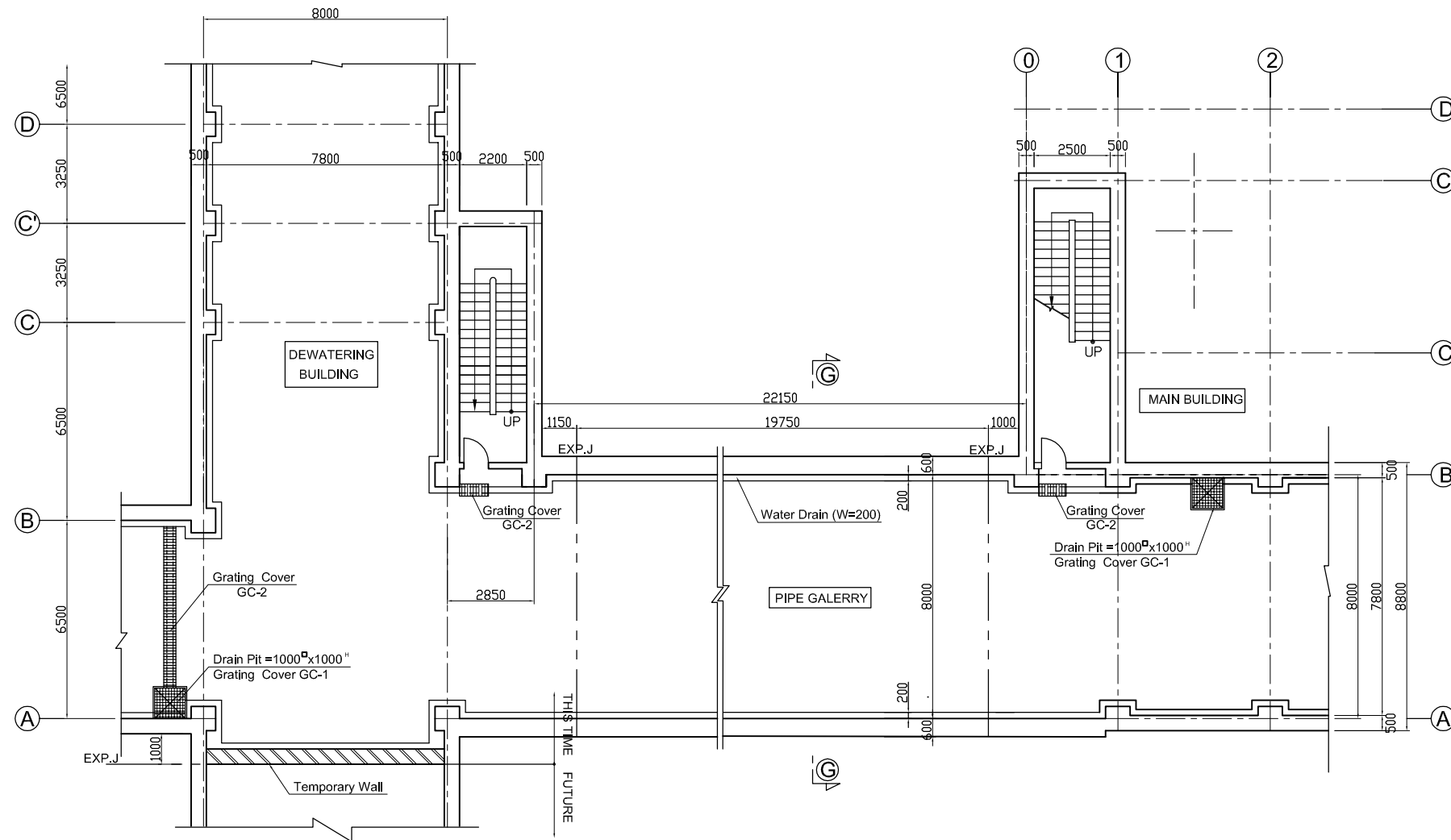
PACIFIC CONSULTANTS INTERNATIONAL

DESIGNED KIMURA TORU CHECKED KONDO MASAMI

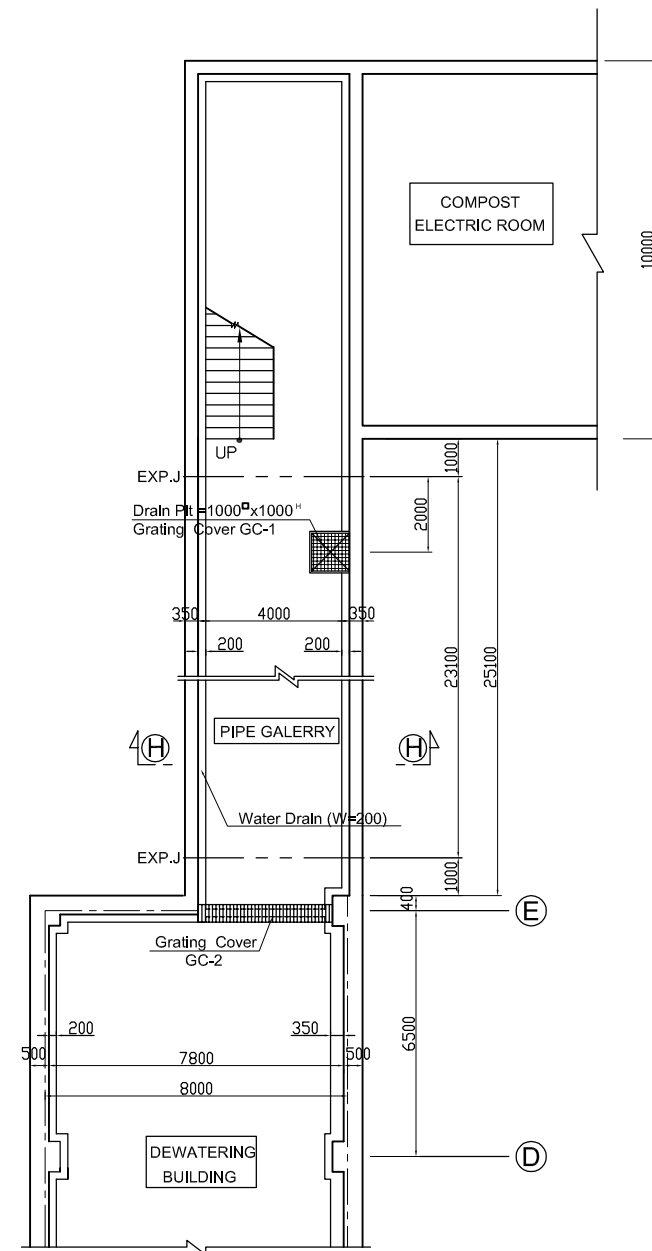
DATE : JUNE 2001 DWG. No. PE - WWTP - 229 - 25

PIPE GALLERY (G), (H) KEY PLAN Scale: 1 / 100

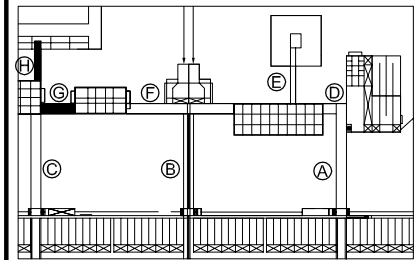
GRATING COVER OF PIPE GALERRY (G) KEY PLAN



GRATING COVER OF PIPE GALERRY (H) KEY PLAN



KEY PLAN



(C) = Future

NOTES :

- ALL DIMENSIONS ARE MM UNLESS STATED OTHERWISE
- CONCRETE E21
- LEVELLING CONCRETE G10
- ALL REINFORCEMENT BARS ARE DEFORMED TYPE (CT5 OR EQUIVALENT AS INDICATED IN SPECIFICATION OF PACKAGE E)
- THE SPECIFICATION TO BE REFERRED FOR MORE INFORMATION OF MATERIAL GRADES

| DATE | DESCRIPTIONS | BY | APRO. |
|------|--------------|----|-------|
| | | | |
| | | | |
| | | | |
| | | | |

REVISIONS

PROJECT MANAGEMENT UNIT FOR WATER ENVIRONMENT IMPROVEMENT FOR HO CHI MINH CITY

THE DETAILD DESIGN ON HO CHI MINH CITY WATER ENVIRONMENT IMPROVEMENT PROJECT IN THE SOCIALIST REPUBLIC OF VIET NAM

PACKAGE E WASTEWATER TREATMENT PLANT

GRATING COVER OF PIPE GALLERY (G) (H) KEY PLAN

SCALE : 1 / 100

JICA JAPAN INTERNATIONAL COOPERATION AGENCY (JICA)

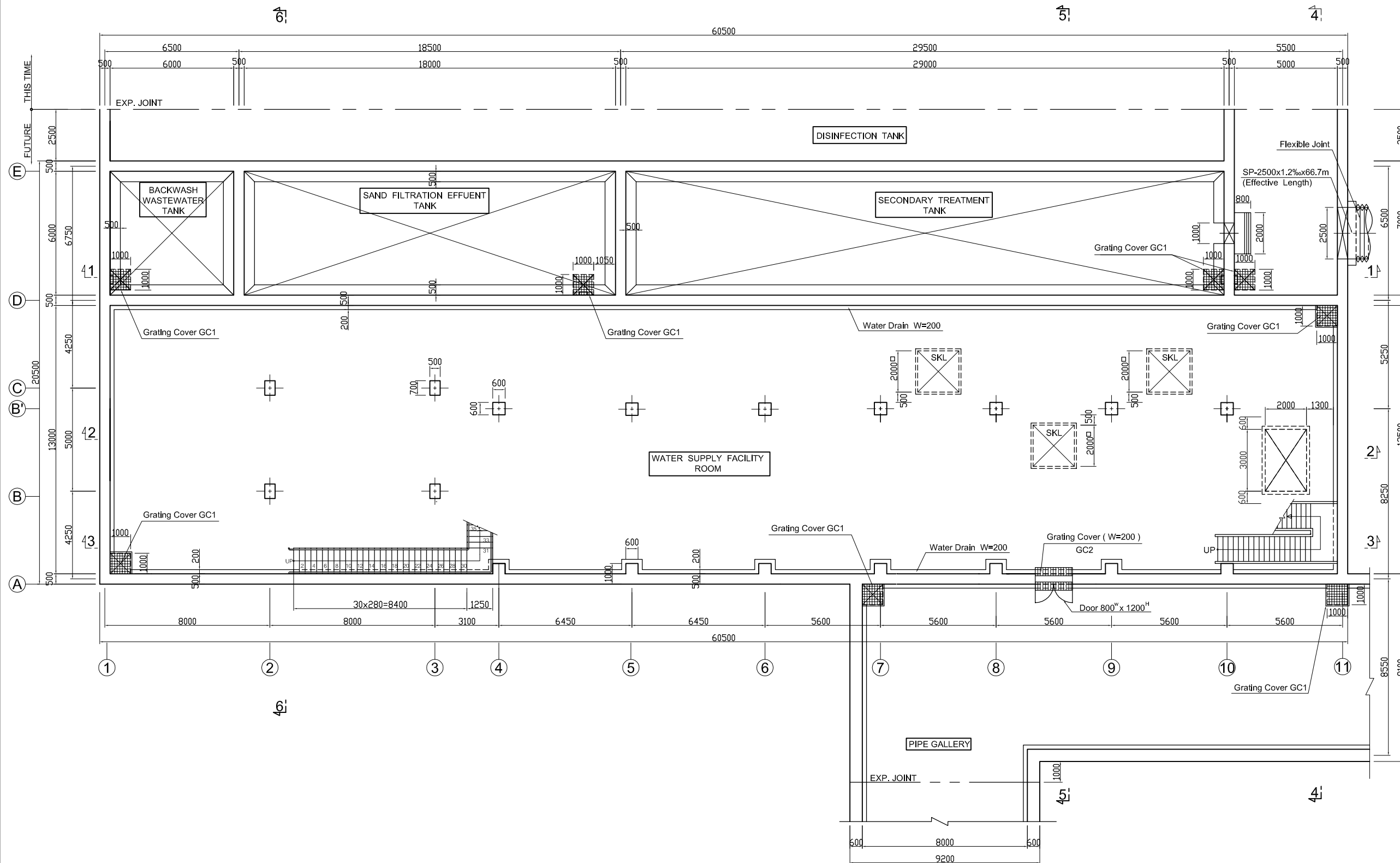
PACIFIC CONSULTANTS INTERNATIONAL

DESIGNED KIMURA TORU CHECKED KONDO MASAMI

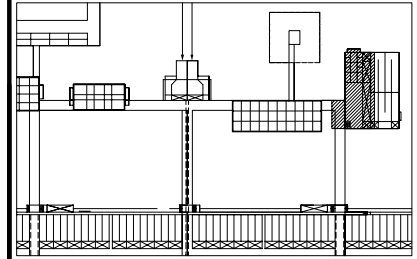
DATE : JUNE 2001 DWG. No. PE - WWTP - 229 - 26

GRATING COVER OF WATER SUPPLY FACILITY KEY PLAN Scale: 1 / 100

B1 FLOOR PLAN



KEY PLAN



NOTES :

- ALL DIMENSIONS ARE MM UNLESS STATED OTHERWISE
- CONCRETE E21
- LEVELLING CONCRETE G10
- ALL REINFORCEMENT BARS ARE DEFORMED TYPE (CT5 OR EQUIVALENT AS INDICATED IN SPECIFICATION OF PACKAGE E)
- THE SPECIFICATION TO BE REFERRED FOR MORE INFORMATION OF MATERIAL GRADES

| NO. | DATE | DESCRIPTIONS | BY | APRO. |
|-----|------|--------------|----|-------|
| | | | | |
| | | | | |
| | | | | |
| | | | | |
| | | | | |

REVISIONS

PROJECT MANAGEMENT UNIT FOR WATER ENVIRONMENT IMPROVEMENT FOR HO CHI MINH CITY

THE DETAILED DESIGN ON HO CHI MINH CITY WATER ENVIRONMENT IMPROVEMENT PROJECT IN THE SOCIALIST REPUBLIC OF VIET NAM

PACKAGE E WASTEWATER TREATMENT PLANT

GRATING COVER OF WATER SUPPLY FACILITY KEY PLAN

SCALE : 1/100

JICA JAPAN INTERNATIONAL COOPERATION AGENCY (JICA)

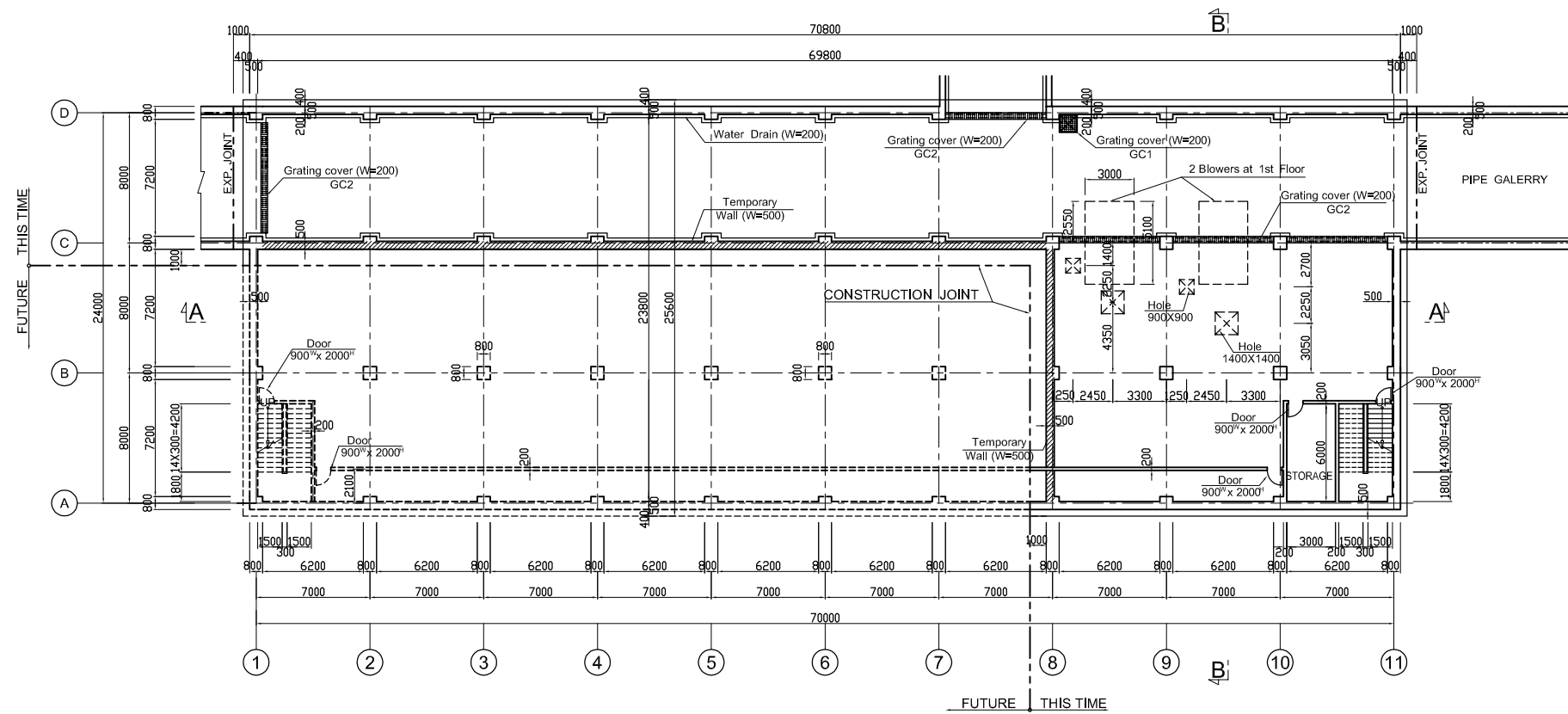
PACIFIC CONSULTANTS INTERNATIONAL

DESIGNED KIMURA TORU CHECKED KONDO MASAMI

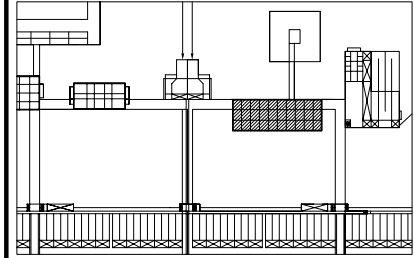
DATE : JUNE 2001 DWG. No. PE - WWTP - 229 - 27

GRATING COVER OF BLOWER BUILDING KEY PLAN Scale: 1 / 200

UNDER GROUND FLOOR PLAN (B1) S: 1 / 200



KEY PLAN



NOTES :

- ALL DIMENSIONS ARE MM UNLESS STATED OTHERWISE
- CONCRETE E21
- LEVELLING CONCRETE G10
- ALL REINFORCEMENT BARS ARE DEFORMED TYPE (CT5 OR EQUIVALENT AS INDICATED IN SPECIFICATION OF PACKAGE E)
- THE SPECIFICATION TO BE REFERRED FOR MORE INFORMATION OF MATERIAL GRADES

| DATE | DESCRIPTIONS | BY | APRO. |
|------|--------------|----|-------|
| | | | |
| | | | |
| | | | |

REVISIONS

PROJECT MANAGEMENT UNIT FOR
WATER ENVIRONMENT IMPROVEMENT FOR
HO CHI MINH CITY

THE DETAILED DESIGN ON HO CHI MINH CITY
WATER ENVIRONMENT IMPROVEMENT PROJECT
IN THE SOCIALIST REPUBLIC OF VIET NAM

PACKAGE E
WASTEWATER TREATMENT PLANT

**GRATING COVER OF
BLOWER BUILDING KEY PLAN**

SCALE : 1/200

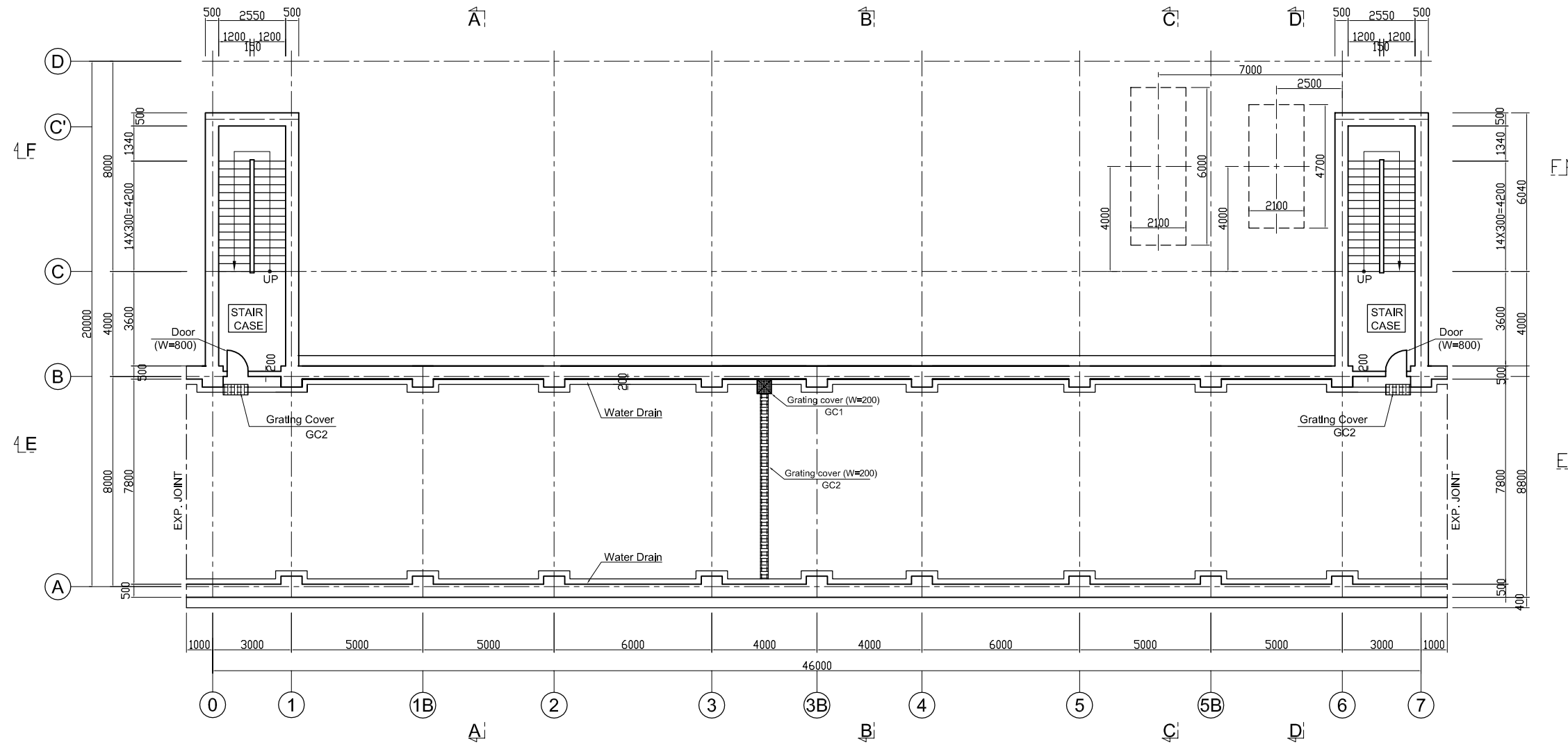
JICA JAPAN INTERNATIONAL COOPERATION
AGENCY (JICA)

PACIFIC CONSULTANTS INTERNATIONAL

| | |
|-------------------------|-------------------------|
| DESIGNED KIMURA TORU | CHECKED KONDO MASAMI |
|-------------------------|-------------------------|

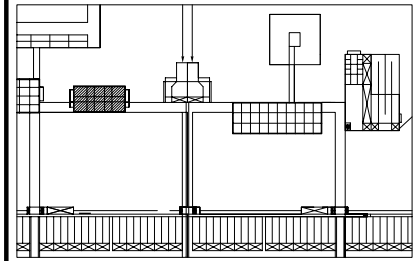
DATE : JUNE 2001 DWG. No. PE - WWTP - 229 - 28

GRATING COVER OF MAIN BUILDING KEY PLAN



UNDER GROUND FLOOR PLAN Scale: 1 / 100

KEY PLAN



NOTES :

- ALL DIMENSIONS ARE MM UNLESS STATED OTHERWISE
- CONCRETE E21
- LEVELLING CONCRETE G10
- ALL REINFORCEMENT BARS ARE DEFORMED TYPE (CT5 OR EQUIVALENT AS INDICATED IN SPECIFICATION OF PACKAGE E)
- THE SPECIFICATION TO BE REFERRED FOR MORE INFORMATION OF MATERIAL GRADES

| | | | |
|--|--|--|--|
| | | | |
| | | | |
| | | | |
| | | | |
| | | | |

| DATE | DESCRIPTIONS | BY | APRO. |
|------|--------------|----|-------|
| | | | |

REVISIONS

PROJECT MANAGEMENT UNIT FOR
WATER ENVIRONMENT IMPROVEMENT FOR
HO CHI MINH CITY

THE DETAILED DESIGN ON HO CHI MINH CITY
WATER ENVIRONMENT IMPROVEMENT PROJECT
IN THE SOCIALIST REPUBLIC OF VIET NAM

PACKAGE E
WASTEWATER TREATMENT PLANT

GRATING COVER OF
MAIN BUILDING KEY PLAN

SCALE : 1 / 100

JICA JAPAN INTERNATIONAL COOPERATION
AGENCY (JICA)

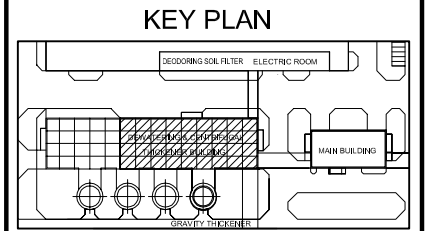
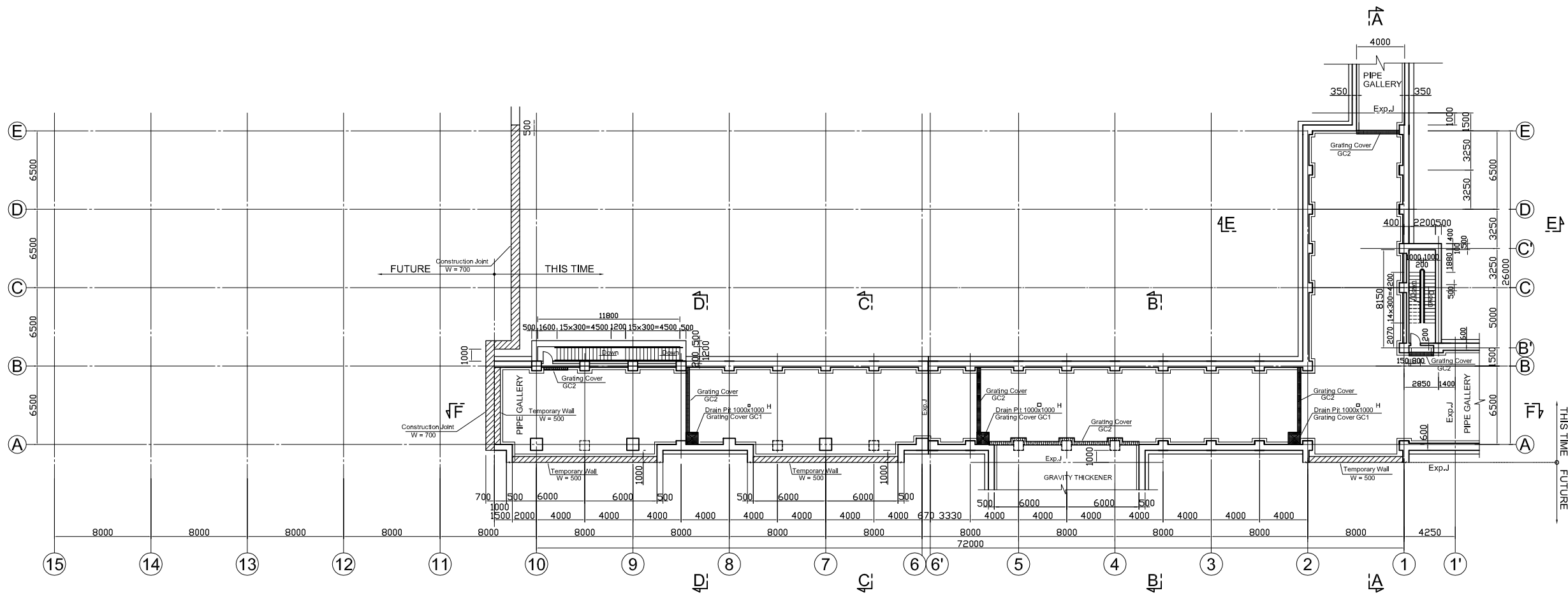
PACIFIC CONSULTANTS INTERNATIONAL

| | |
|-------------------------|-------------------------|
| DESIGNED KIMURA TORU | CHECKED KONDO MASAMI |
|-------------------------|-------------------------|

DATE : JUNE 2001 DWG. No. PE - WWTP - 229 - 29

GRATING COVER OF DEWATERING BUILDING KEY PLAN Scale: 1/200

UNDERGROUND FLOOR PLAN Scale: 1/200



- NOTES :**
- ALL DIMENSIONS ARE MM UNLESS STATED OTHERWISE
 - CONCRETE E21
 - LEVELLING CONCRETE G10
 - ALL REINFORCEMENT BARS ARE DEFORMED TYPE (CT5 OR EQUIVALENT AS INDICATED IN SPECIFICATION OF PACKAGE E)
 - THE SPECIFICATION TO BE REFERRED FOR MORE INFORMATION OF MATERIAL GRADES

| NO. | DATE | DESCRIPTIONS | BY | APRO. |
|-----|------|--------------|----|-------|
| | | | | |
| | | | | |
| | | | | |
| | | | | |

REVISIONS

PROJECT MANAGEMENT UNIT FOR
HO CHI MINH CITY
WATER ENVIRONMENT IMPROVEMENT

THE DETAILED DESIGN STUDY ON HO CHI MINH CITY
WATER ENVIRONMENT IMPROVEMENT PROJECT
IN THE SOCIALIST REPUBLIC OF VIET NAM

PACKAGE E
WASTE WATER TREATMENT PLANT

**GRATING COVER OF DEWATERING
AND CENTRIFUGAL THICKENER
BUILDING KEY PLAN**

| | |
|---|------------------------------|
| SCALE : 1 / 200 | |
| JAPAN INTERNATIONAL COOPERATION AGENCY (JICA) | |
| PACIFIC CONSULTANTS INTERNATIONAL | |
| DESIGNED KIMURA TORU | CHECKED KONDO MASAMI |
| DATE : JUNE 2001 | DWG. No. PE- WWTP - 229 - 30 |