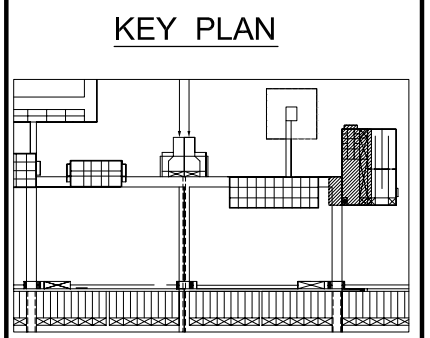
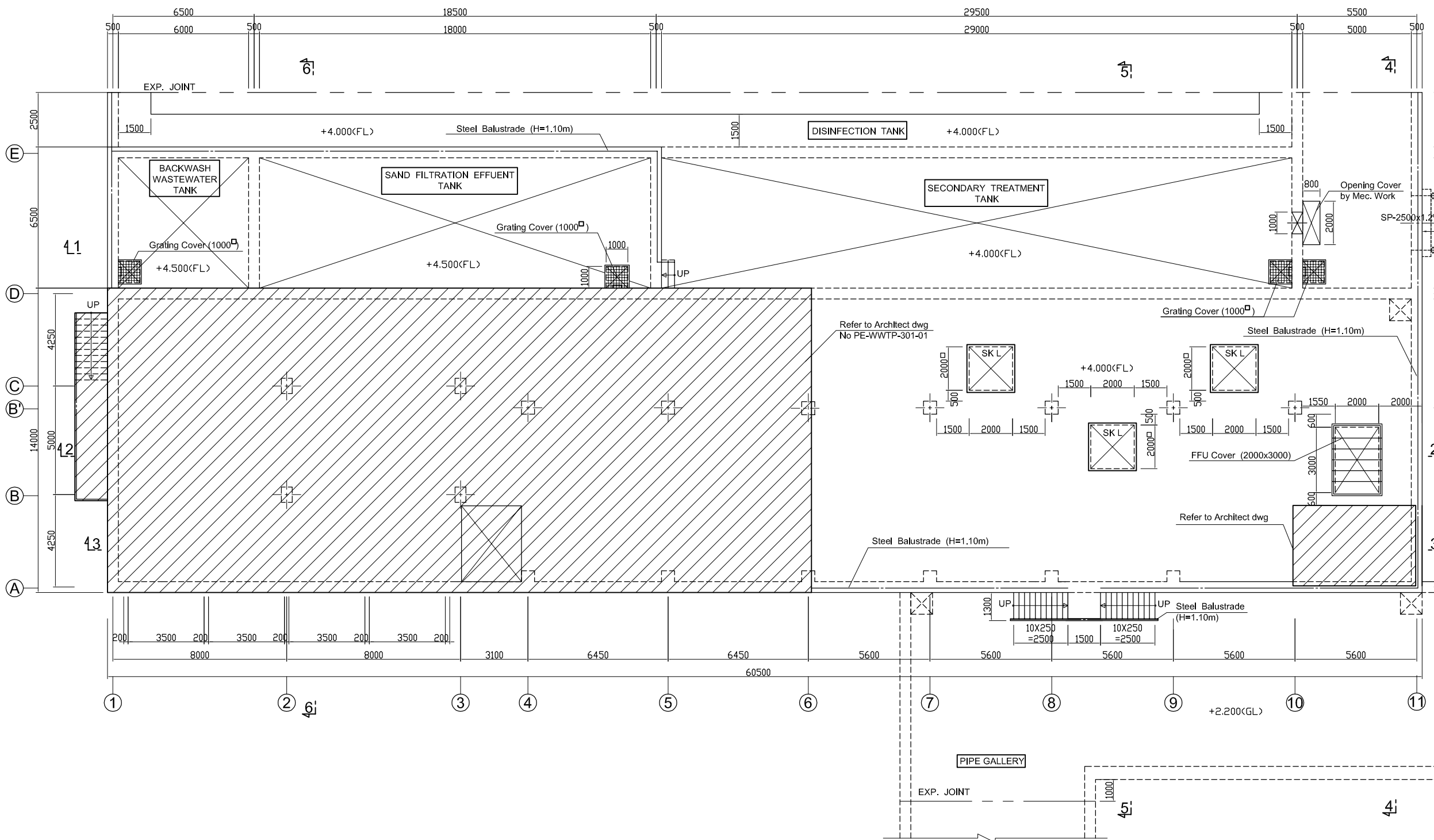


WATER SUPPLY FACILITY PLAN (1) Scale: 1/100

1st FLOOR PLAN



- ### NOTES :
- ALL DIMENSIONS ARE MM UNLESS STATED OTHERWISE
 - CONCRETE E21
 - LEVELLING CONCRETE G10
 - ALL REINFORCEMENT BARS ARE DEFORMED TYPE (CT5 OR EQUIVALENT AS INDICATED IN SPECIFICATION OF PACKAGE E)
 - THE SPECIFICATION TO BE REFERRED FOR MORE INFORMATION OF MATERIAL GRADES
 - PILE LOCATION SHOWN ON PILE ARRANGEMENT DWG. No. PE - WWTP -
 - DETAILS OF R.C PILE SHOWN ON DWG. No. PE - WWTP - 265 - 01

NO.	DATE	DESCRIPTIONS	BY	APRO.

REVISIONS

PROJECT MANAGEMENT UNIT FOR
WATER ENVIRONMENT IMPROVEMENT FOR
HO CHI MINH CITY

THE DETAILED DESIGN ON HO CHI MINH CITY
WATER ENVIRONMENT IMPROVEMENT PROJECT
IN THE SOCIALIST REPUBLIC OF VIET NAM

PACKAGE E
WASTEWATER TREATMENT PLANT
WATER SUPPLY FACILITY
PLAN (No. 1)

SCALE : 1/100

JAPAN INTERNATIONAL COOPERATION AGENCY (JICA)

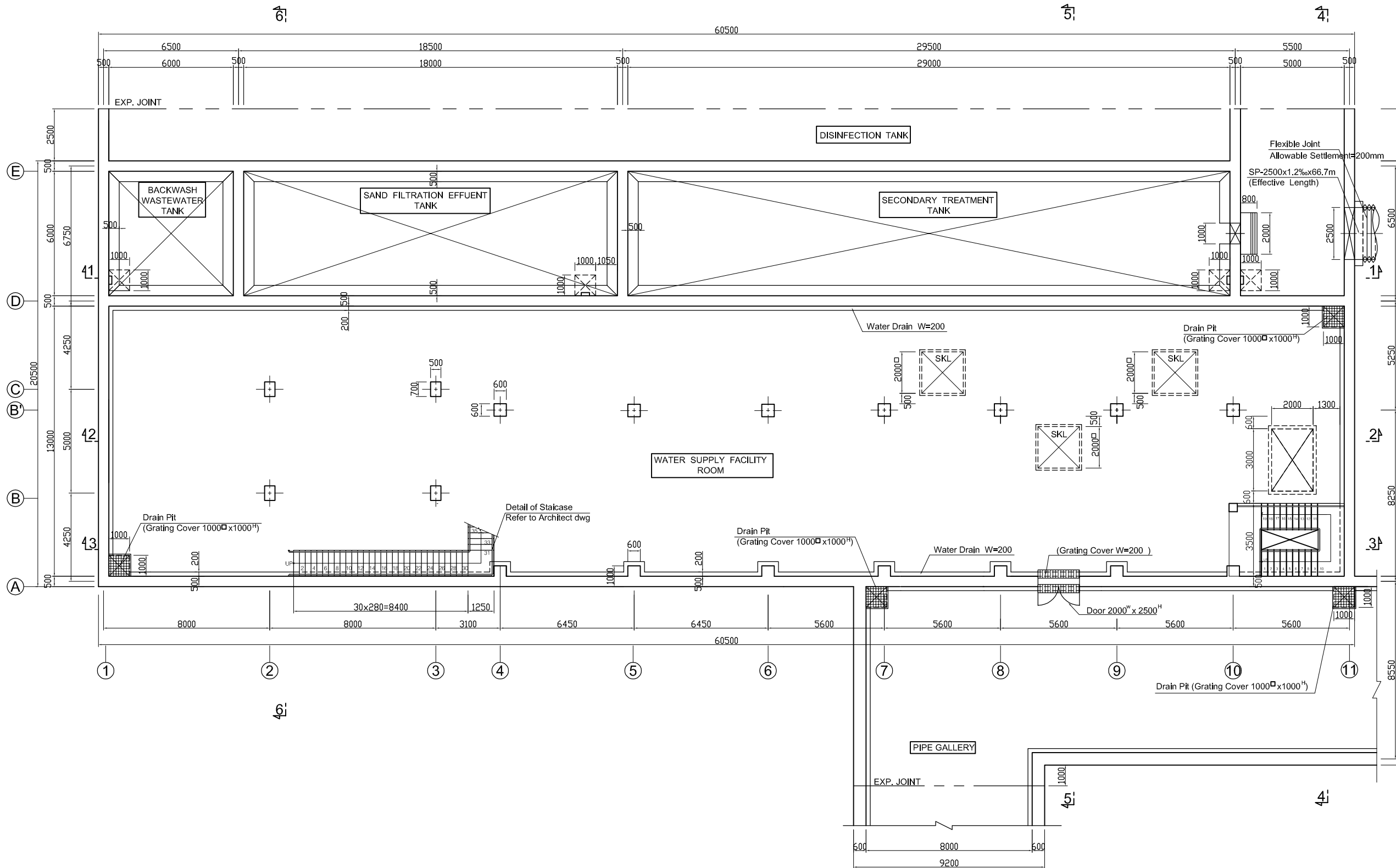
PACIFIC CONSULTANTS INTERNATIONAL

DESIGNED KIMURA TORU	CHECKED KONDO MASAMI
-------------------------	-------------------------

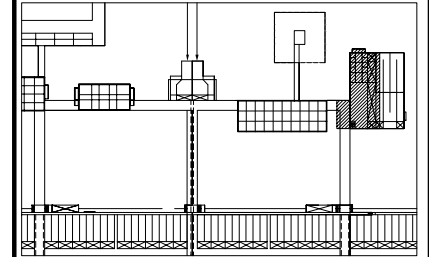
DATE : JUNE 2001 DWG. No. PE - WWTP - 207 - 01

WATER SUPPLY FACILITY PLAN (No. 2) Scale: 1/100

B1 FLOOR PLAN



KEY PLAN



NOTES :

- ALL DIMENSIONS ARE MM UNLESS STATED OTHERWISE
- CONCRETE E21
- LEVELLING CONCRETE G10
- ALL REINFORCEMENT BARS ARE DEFORMED TYPE (CT5 OR EQUIVALENT AS INDICATED IN SPECIFICATION OF PACKAGE E)
- THE SPECIFICATION TO BE REFERRED FOR MORE INFORMATION OF MATERIAL GRADES
- PILE LOCATION SHOWN ON PILE ARRANGEMENT DWG. No. PE - WWTP -
- DETAILS OF R.C PILE SHOWN ON DWG. No. PE - WWTP - 265 - 01

NO.	DATE	DESCRIPTIONS	BY	APRO.
REVISIONS				

PROJECT MANAGEMENT UNIT FOR
WATER ENVIRONMENT IMPROVEMENT FOR
HO CHI MINH CITY

THE DETAILED DESIGN ON HO CHI MINH CITY
WATER ENVIRONMENT IMPROVEMENT PROJECT
IN THE SOCIALIST REPUBLIC OF VIET NAM

PACKAGE E
WASTEWATER TREATMENT PLANT
WATER SUPPLY FACILITY
PLAN (No. 2)

SCALE : 1/100

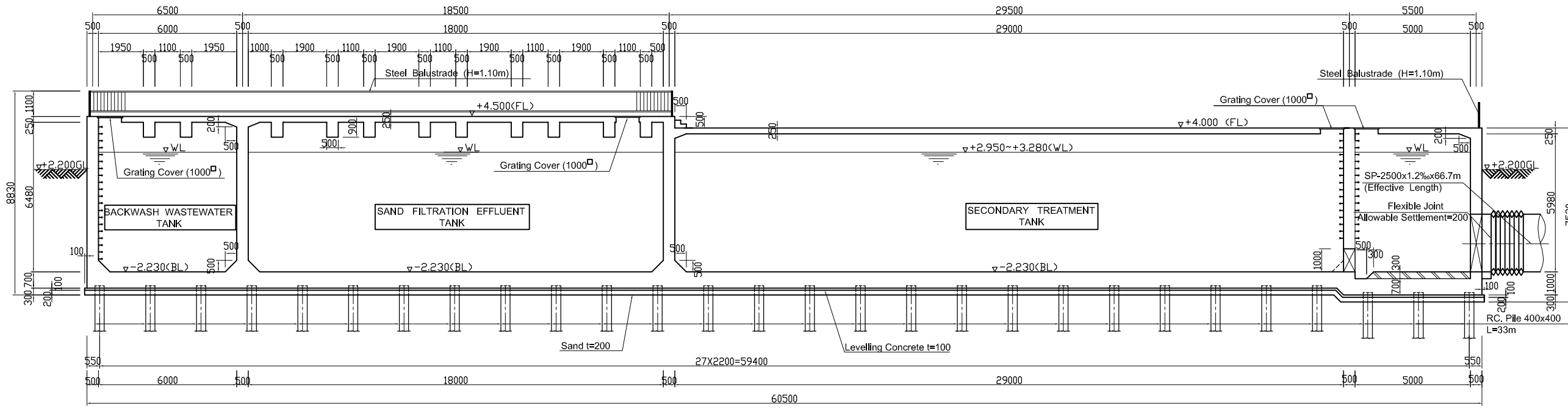
JAPAN INTERNATIONAL COOPERATION
AGENCY (JICA)

PACIFIC CONSULTANTS INTERNATIONAL

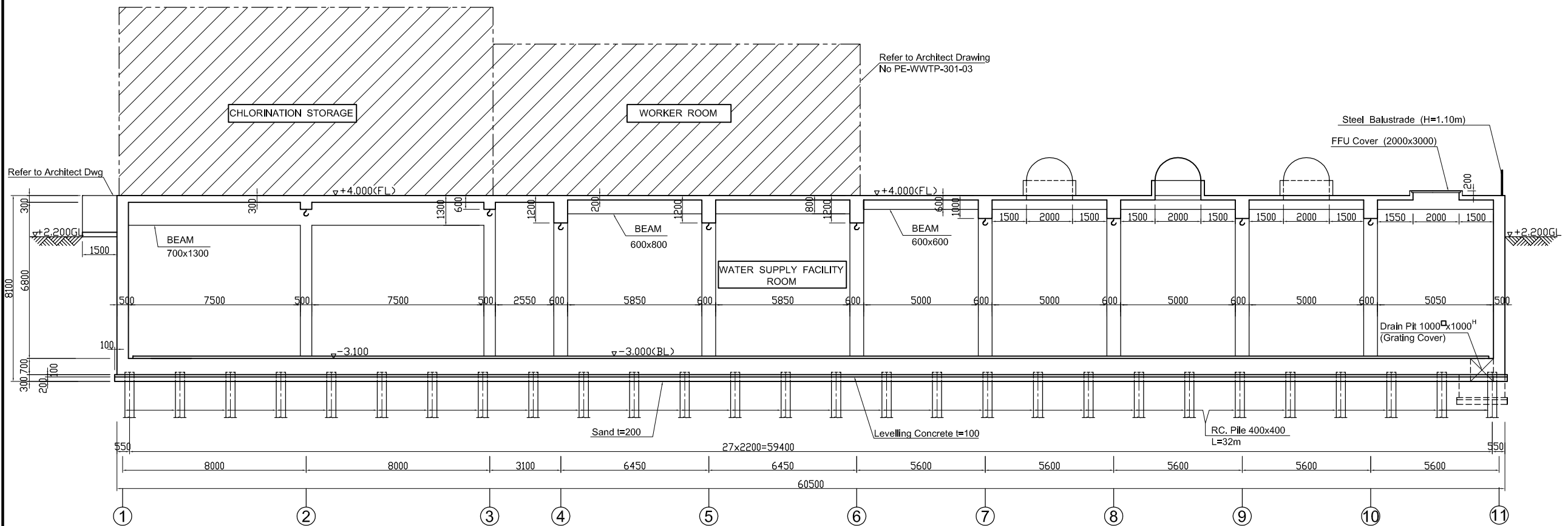
DESIGNED KIMURA TORU	CHECKED KONDO MASAMI
-------------------------	-------------------------

DATE : JUNE 2001 DWG. No. PE - WWTP - 207 - 02

WATER SUPPLY FACILITY SECTION (No. 1). Scale: 1/100

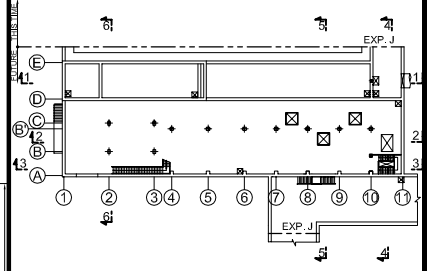


SECTION 1-1. Scale: 1/100



SECTION 2-2. Scale: 1/100

KEY PLAN



NOTES :

- ALL DIMENSIONS ARE MM UNLESS STATED OTHERWISE
- CONCRETE E21
- LEVELLING CONCRETE G10
- ALL REINFORCEMENT BARS ARE DEFORMED TYPE (CT5 OR EQUIVALENT AS INDICATED IN SPECIFICATION OF PACKAGE E)
- THE SPECIFICATION TO BE REFERRED FOR MORE INFORMATION OF MATERIAL GRADES
- PILE LOCATION SHOWN ON PILE ARRANGEMENT DWG. No. PE - WWTP - 254 - 01
- DETAILS OF R.C PILE SHOWN ON DWG. No. PE - WWTP - 265 - 01

--	--	--	--	--

NO.	DATE	DESCRIPTIONS	BY	APPRO.
-----	------	--------------	----	--------

REVISIONS

PROJECT MANAGEMENT UNIT FOR
WATER ENVIRONMENT IMPROVEMENT FOR
HO CHI MINH CITY

THE DETAILED DESIGN ON HO CHI MINH CITY
WATER ENVIRONMENT IMPROVEMENT PROJECT
IN THE SOCIALIST REPUBLIC OF VIET NAM

PACKAGE E
WASTEWATER TREATMENT PLANT
WATER SUPPLY FACILITY
SECTION (No. 1)

SCALE : 1/100

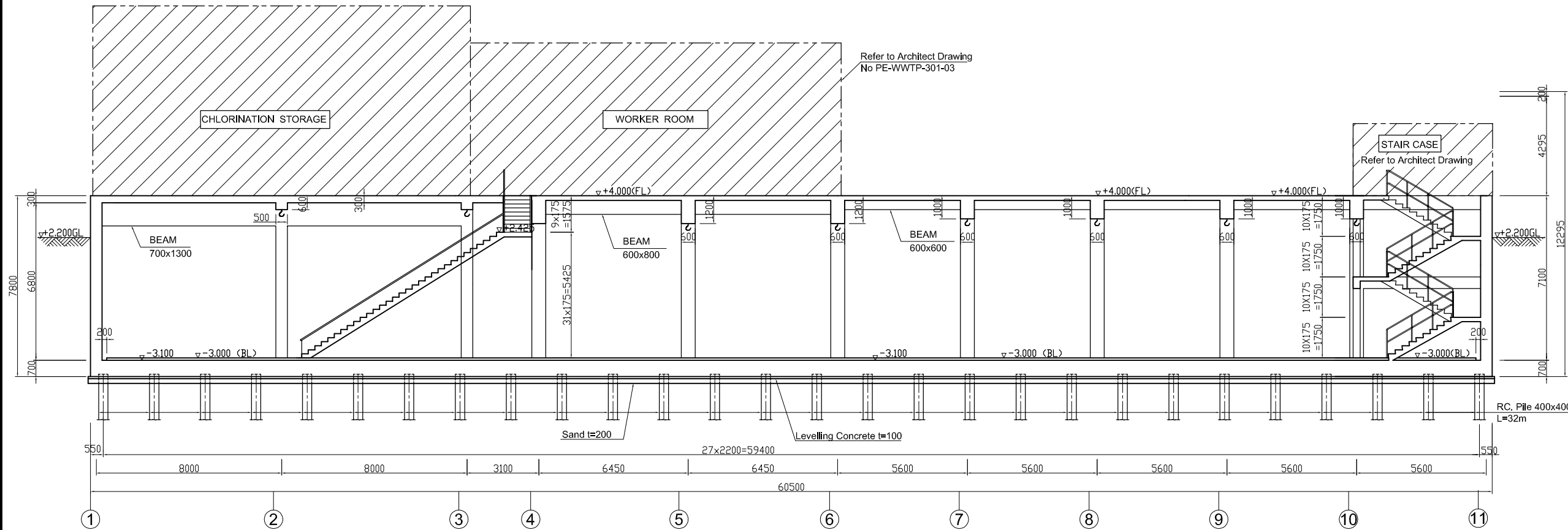
JAPAN INTERNATIONAL COOPERATION

PACIFIC CONSULTANTS INTERNATIONAL

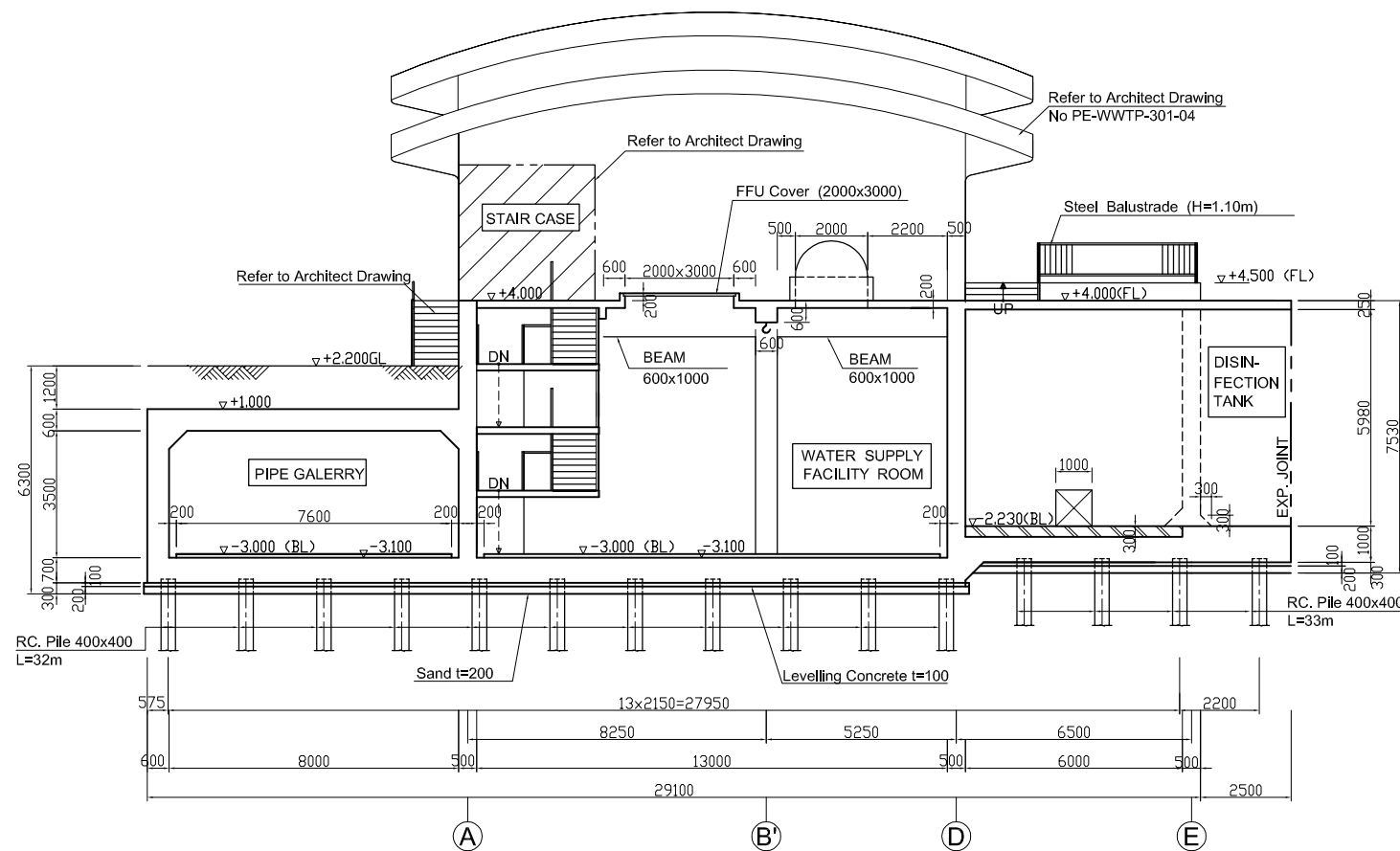
DESIGNED KIMURA TORU	CHECKED KONDO MASAMI
-------------------------	-------------------------

DATE : JUNE 2001 DWG. No. PE - WWTP - 207 - 03

WATER SUPPLY FACILITY SECTION (No. 2). Scale: 1/100

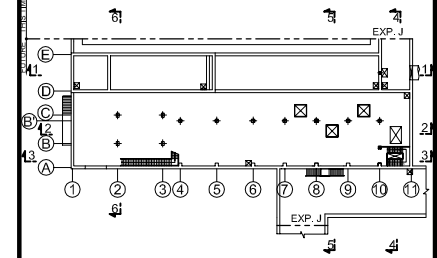


SECTION 3 - 3. Scale: 1/100



SECTION 4 - 4. Scale: 1/100

KEY PLAN

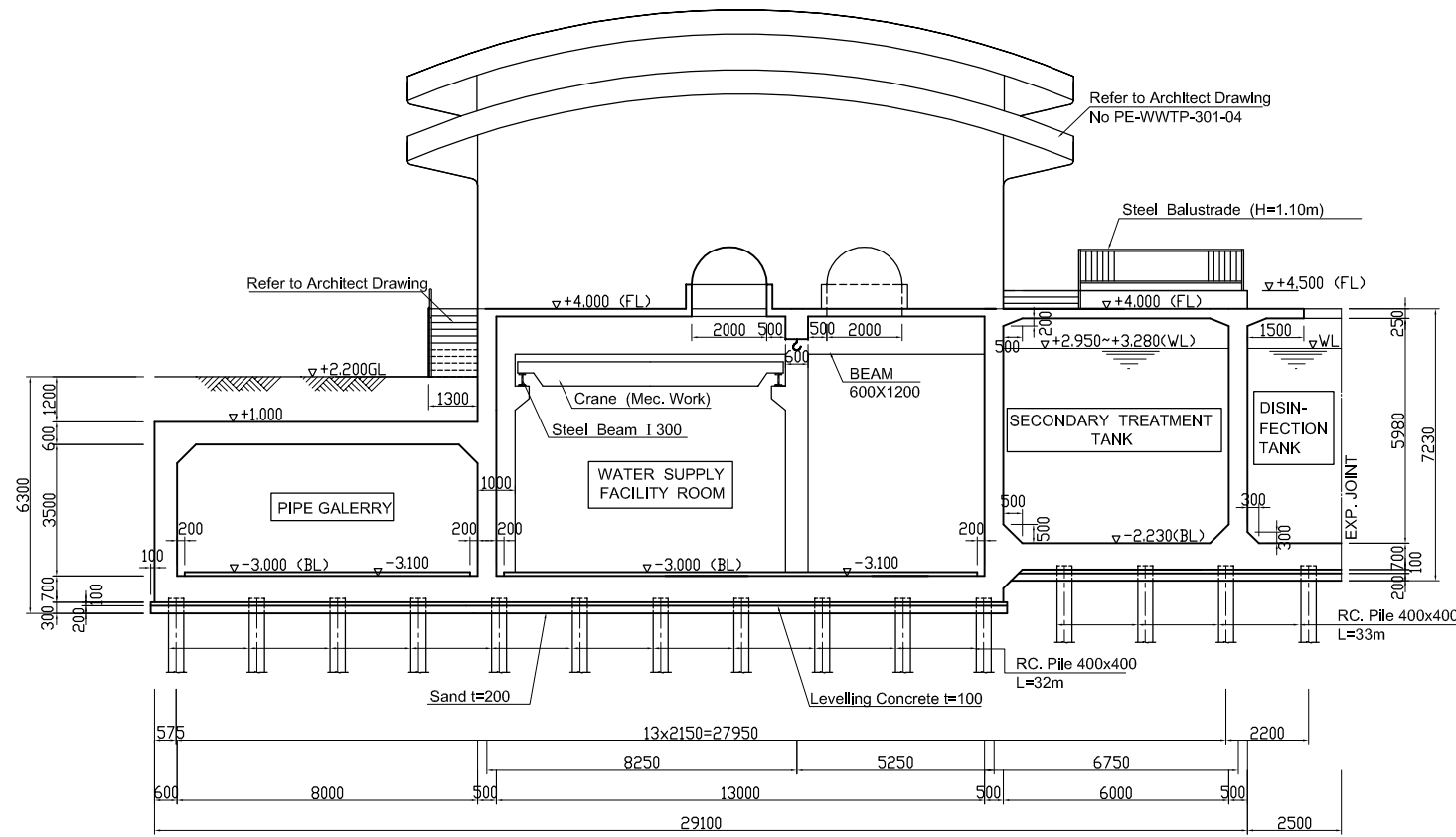


NOTES :

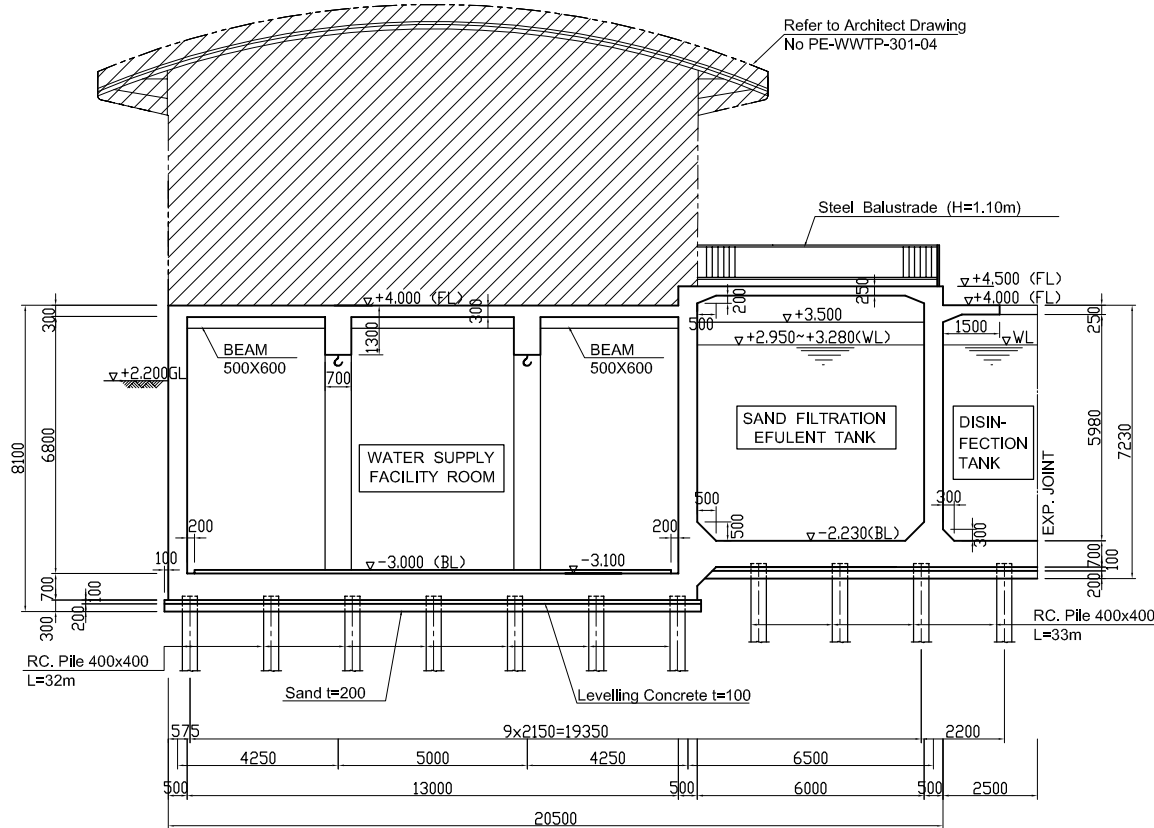
- ALL DIMENSIONS ARE MM UNLESS STATED OTHERWISE
- CONCRETE E21
- LEVELLING CONCRETE G10
- ALL REINFORCEMENT BARS ARE DEFORMED TYPE (CT5 OR EQUIVALENT AS INDICATED IN SPECIFICATION OF PACKAGE E)
- THE SPECIFICATION TO BE REFERRED FOR MORE INFORMATION OF MATERIAL GRADES
- PILE LOCATION SHOWN ON PILE ARRANGEMENT DWG. No. PE - WWTP - 254 - 01
- DETAILS OF R.C PILE SHOWN ON DWG. No. PE - WWTP - 265 - 01

NO.	DATE	DESCRIPTIONS	BY	APRO.
REVISIONS				
PROJECT MANAGEMENT UNIT FOR WATER ENVIRONMENT IMPROVEMENT FOR HO CHI MINH CITY				
THE DETAILED DESIGN ON HO CHI MINH CITY WATER ENVIRONMENT IMPROVEMENT PROJECT IN THE SOCIALIST REPUBLIC OF VIET NAM				
PACKAGE E WASTEWATER TREATMENT PLANT WATER SUPPLY FACILITY SECTION (No. 2)				
SCALE : 1/100				
JAPAN INTERNATIONAL COOPERATION AGENCY (JICA)				
PACIFIC CONSULTANTS INTERNATIONAL				
DESIGNED KIMURA TORU			CHECKED KONDO MASAMI	
DATE : JUNE 2001			DWG. No. PE - WWTP - 207 - 04	

WATER SUPPLY FACILITY SECTION (No. 3). Scale: 1/100

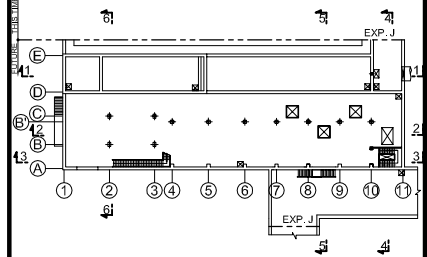


SECTION 5 - 5. Scale: 1/100



SECTION 6 - 6. Scale: 1/100

KEY PLAN



NOTES :

- ALL DIMENSIONS ARE MM UNLESS STATED OTHERWISE
- CONCRETE E21
- LEVELLING CONCRETE G10
- ALL REINFORCEMENT BARS ARE DEFORMED TYPE (CT5 OR EQUIVALENT AS INDICATED IN SPECIFICATION OF PACKAGE E)
- THE SPECIFICATION TO BE REFERRED FOR MORE INFORMATION OF MATERIAL GRADES
- PILE LOCATION SHOWN ON PILE ARRANGEMENT DWG. No. PE - WWTP - 254 - 01
- DETAILS OF R.C PILE SHOWN ON DWG. No. PE - WWTP - 265 - 01

NO.	DATE	DESCRIPTIONS	BY	APRO.

REVISIONS

PROJECT MANAGEMENT UNIT FOR
WATER ENVIRONMENT IMPROVEMENT FOR
HO CHI MINH CITY

THE DETAILED DESIGN ON HO CHI MINH CITY
WATER ENVIRONMENT IMPROVEMENT PROJECT
IN THE SOCIALIST REPUBLIC OF VIET NAM

PACKAGE E
WASTEWATER TREATMENT PLANT
WATER SUPPLY FACILITY
SECTION (No. 3)

SCALE : 1/100

JICA JAPAN INTERNATIONAL COOPERATION
AGENCY (JICA)

PACIFIC CONSULTANTS INTERNATIONAL

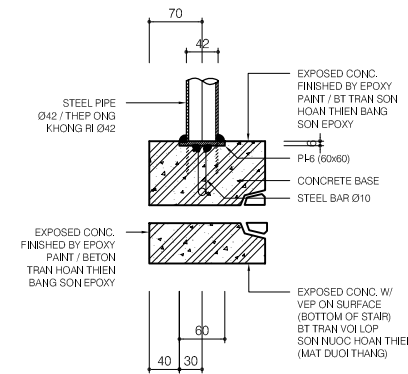
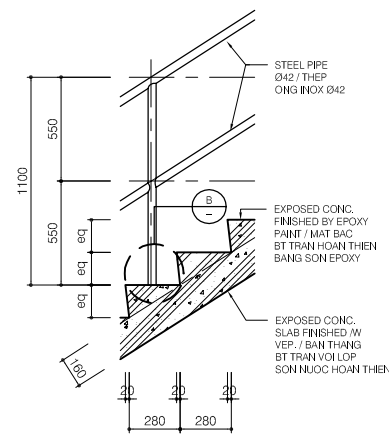
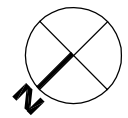
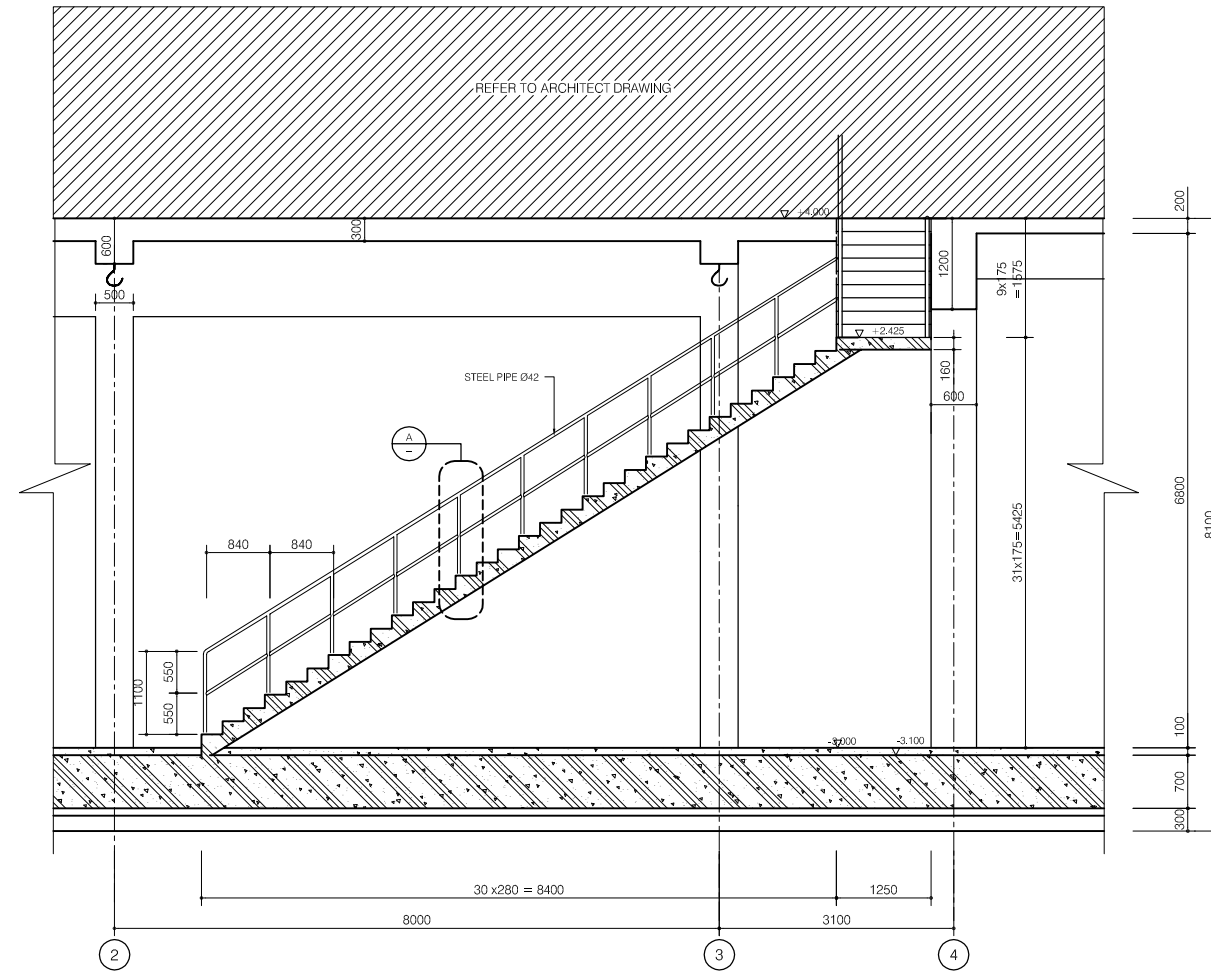
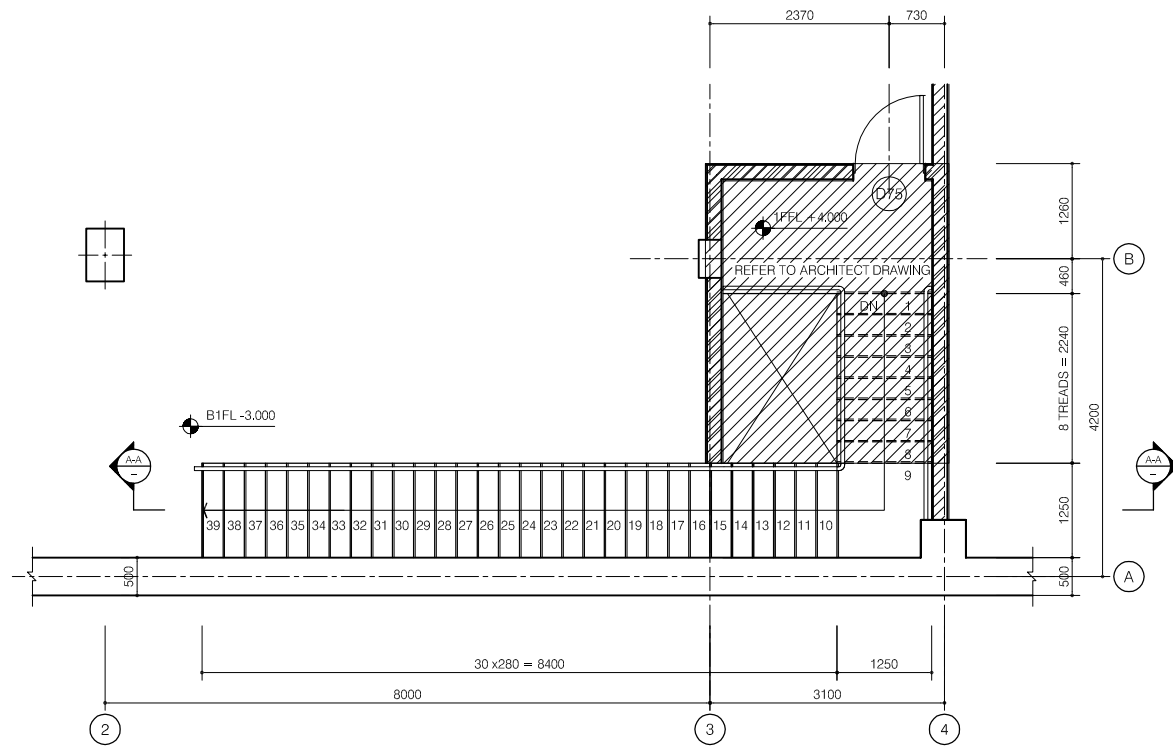
DESIGNED
KIMURA TORU

CHECKED
KONDO MASAMI

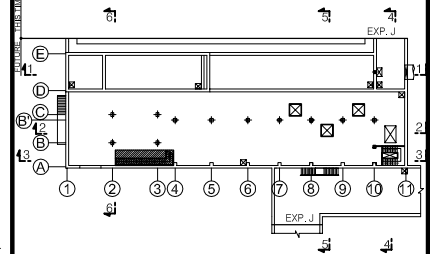
DATE : JUNE 2001

DWG. No. PE - WWTP - 207 - 05

WATER SUPPLY FACILITY STAIRCASE PLAN and SECTION (No. 1)



KEY PLAN



NOTES :

- ALL DIMENSIONS ARE MM UNLESS STATED OTHERWISE
- CONCRETE E21
- LEVELLING CONCRETE G10
- ALL REINFORCEMENT BARS ARE DEFORMED TYPE (CT5 OR EQUIVALENT AS INDICATED IN SPECIFICATION OF PACKAGE E)
- THE SPECIFICATION TO BE REFERRED FOR MORE INFORMATION OF MATERIAL GRADES
- PILE LOCATION SHOWN ON PILE ARRANGEMENT DWG. No. PE - WWTP - 254 - 01
- DETAILS OF R.C PILE SHOWN ON DWG. No. PE - WWTP - 265 - 01

NO.	DATE	DESCRIPTIONS	BY	APPRO.

REVISIONS

PROJECT MANAGEMENT UNIT FOR
HO CHI MINH CITY
WATER ENVIRONMENT IMPROVEMENT

THE DETAILED DESIGN STUDY ON HO CHI MINH CITY
WATER ENVIRONMENT IMPROVEMENT PROJECT
IN THE SOCIALIST REPUBLIC OF VIET NAM

PACKAGE E
WASTEWATER TREATMENT PLANT
WATER SUPPLY FACILITY
STAIRCASE PLAN and SECTION (No. 1)

SCALE : 1/5, 1/20, 1/50

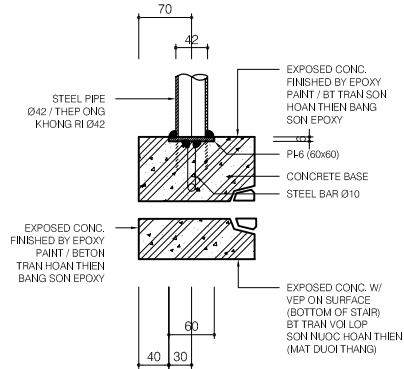
JAPAN INTERNATIONAL COOPERATION AGENCY (JICA)

PACIFIC CONSULTANTS INTERNATIONAL

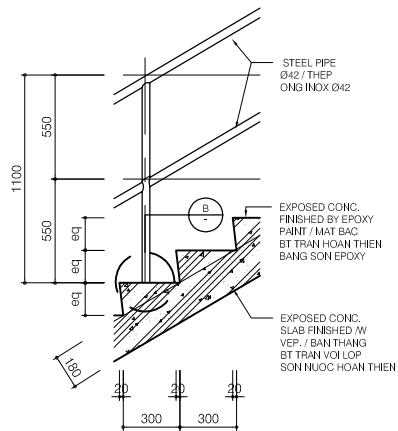
DESIGNED KIMURA TORU	CHECKED KONDO MASAMI
-------------------------	-------------------------

DATE: JUNE 2001 DWG. No. PE-WWTP-207-06

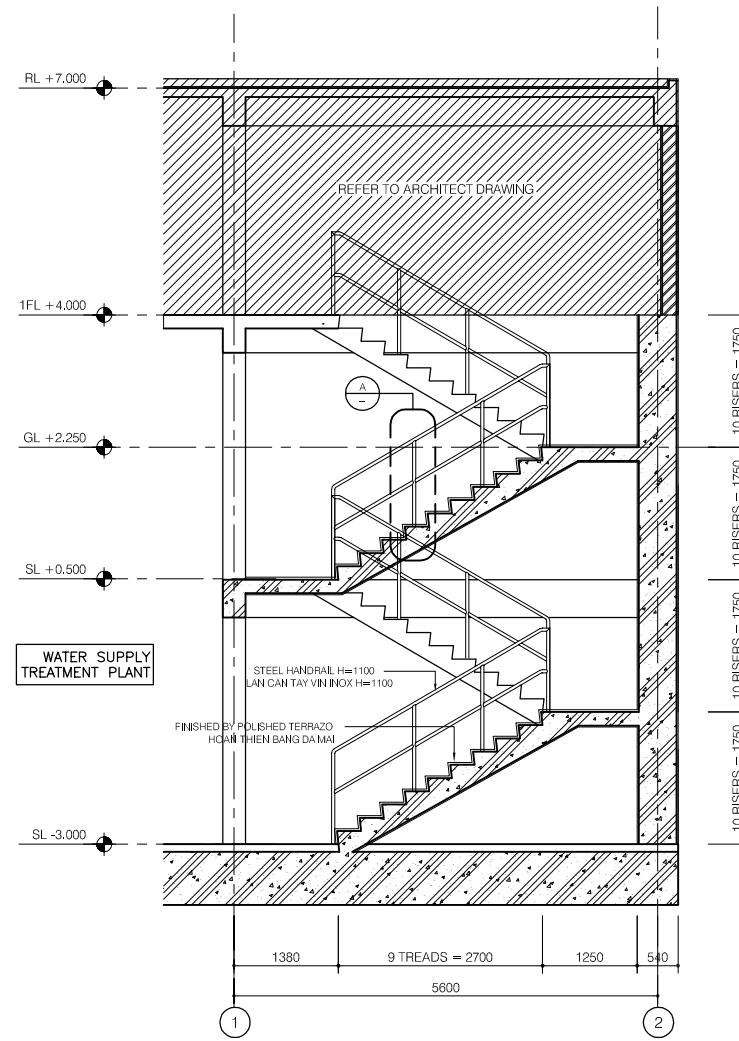
WATER SUPPLY FACILITY STAIRCASE PLAN and SECTION (No. 2)



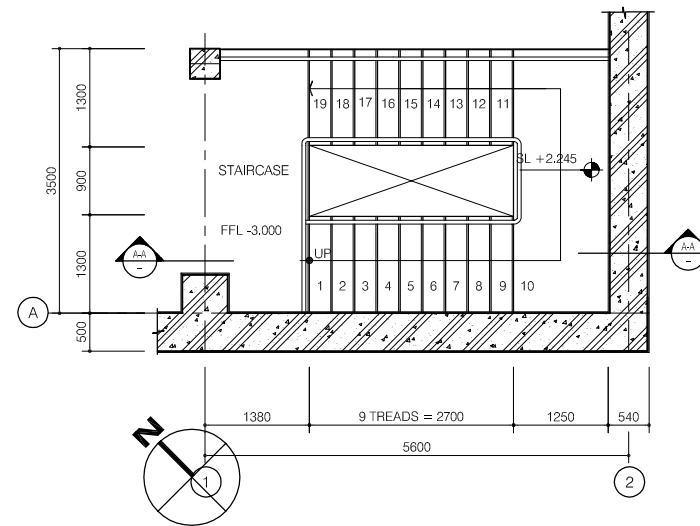
DETAIL B. Scale: 1/5



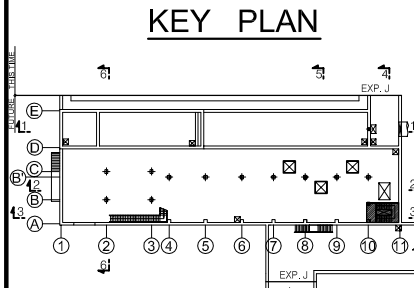
DETAIL A. Scale: 1/20



SECTION A-A. Scale: 1/50



FLOOR PLAN (S01). Scale: 1/50



NOTES :

- ALL DIMENSIONS ARE MM UNLESS STATED OTHERWISE
- CONCRETE E21
- LEVELLING CONCRETE G10
- ALL REINFORCEMENT BARS ARE DEFORMED TYPE (CT5 OR EQUIVALENT AS INDICATED IN SPECIFICATION OF PACKAGE E)
- THE SPECIFICATION TO BE REFERRED FOR MORE INFORMATION OF MATERIAL GRADES
- PILE LOCATION SHOWN ON PILE ARRANGEMENT DWG. No. PE - WWTP - 254-01
- DETAILS OF R.C PILE SHOWN ON DWG. No. PE - WWTP - 265 - 01

NO.	DATE	DESCRIPTIONS	BY	APRO.

REVISIONS

PROJECT MANAGEMENT UNIT FOR
HO CHI MINH CITY
WATER ENVIRONMENT IMPROVEMENT

THE DETAILED DESIGN STUDY ON HO CHI MINH CITY
WATER ENVIRONMENT IMPROVEMENT PROJECT
IN THE SOCIALIST REPUBLIC OF VIET NAM

PACKAGE E
WASTEWATER TREATMENT PLANT
WATER SUPPLY FACILITY
STAIRCASE PLAN and SECTION (No. 2)

SCALE : 1/5, 1/20, 1/50

JICA JAPAN INTERNATIONAL COOPERATION
AGENCY (JICA)

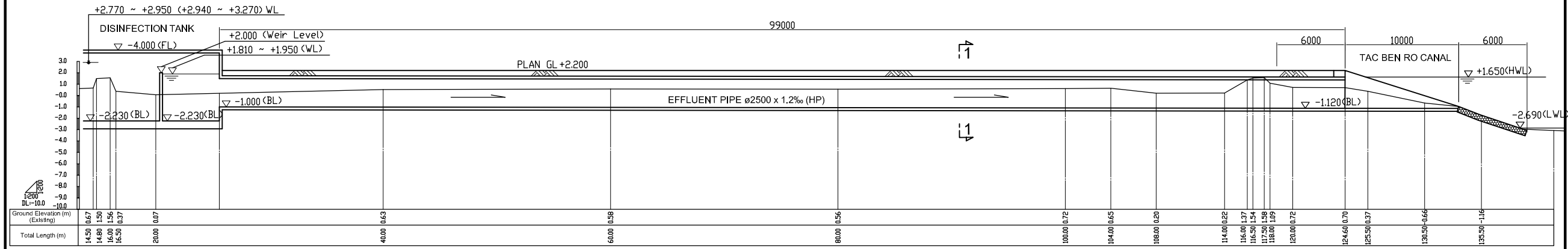
PACIFIC CONSULTANTS INTERNATIONAL

DESIGNED
KIMURA TORU

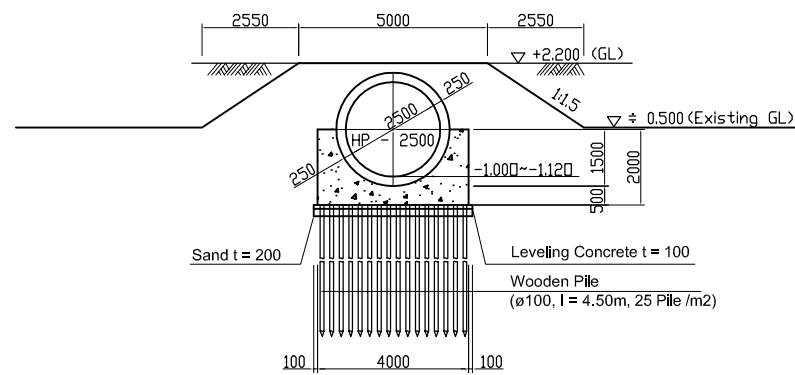
CHECKED
KONDO MASAMI

DATE: JUNE 2001 DWG. No. PE-WWTP-207-07

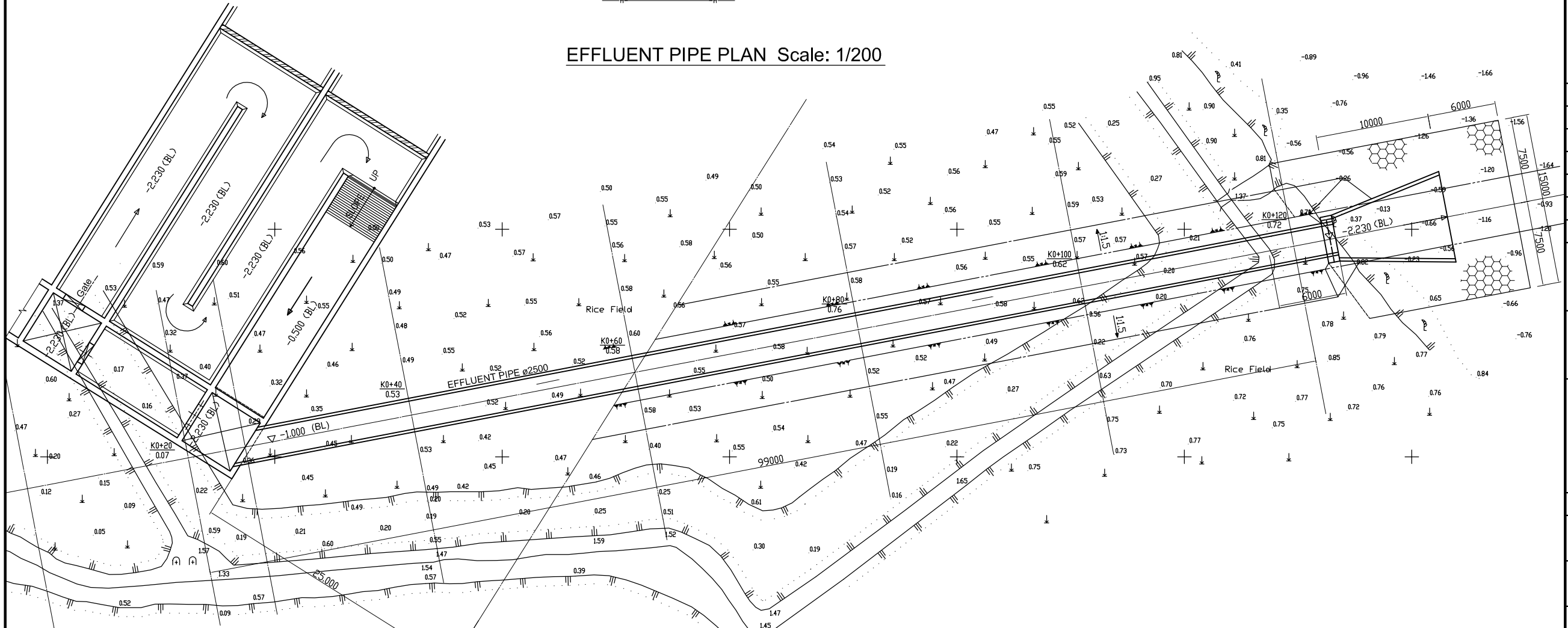
EFFLUENT PIPE PROFILE Scale: 1/200



SECTION 1-1 Scale: 1/100

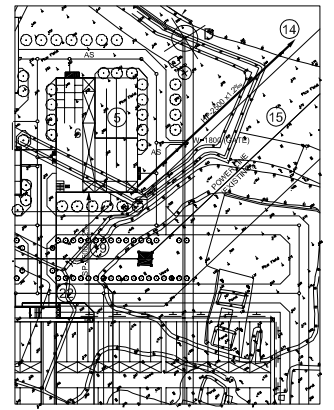


EFFLUENT PIPE PLAN Scale: 1/200



EFFLUENT PIPE PLAN AND SECTION (No.1)

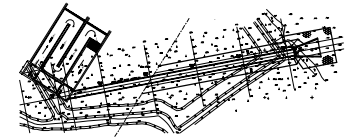
KEY PLAN



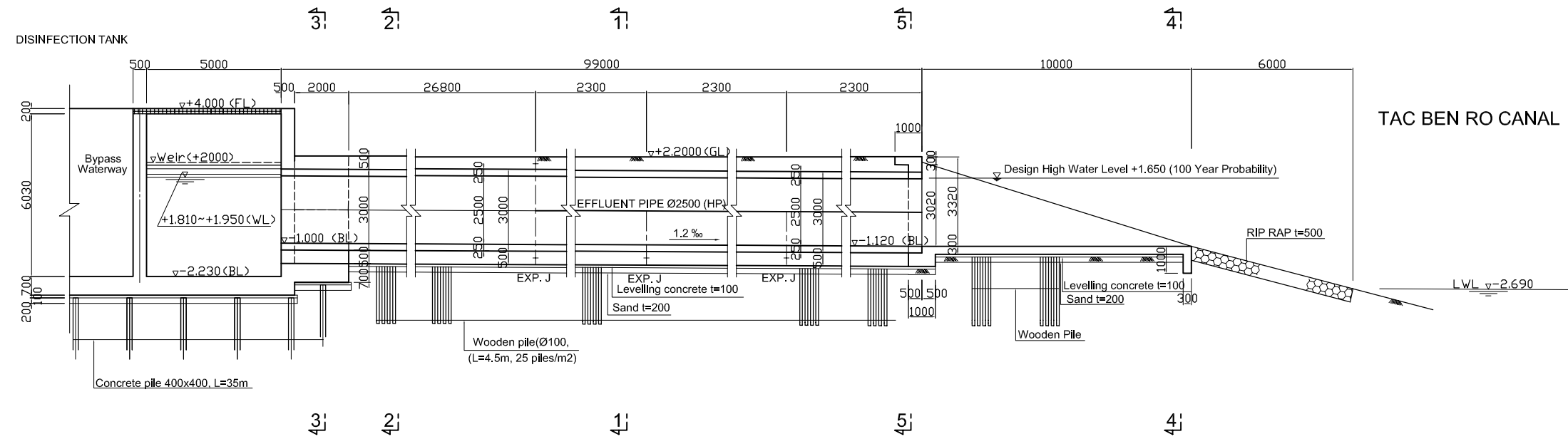
NO.	DESCRIPTIONS	BY	APRO.
REVISIONS			
PROJECT MANAGEMENT UNIT FOR HO CHI MINH CITY WATER ENVIRONMENT IMPROVEMENT			
THE DETAILED DESIGN ON HO CHI MINH CITY WATER ENVIRONMENT IMPROVEMENT PROJECT IN THE SOCIALIST REPUBLIC OF VIET NAM			
PACKAGE E WASTEWATER TREATMENT PLANT EFFLUENT PIPE PLAN AND SECTION (No.1)			
SCALE : AS SHOWN			
JICA JAPAN INTERNATIONAL COOPERATION AGENCY (JICA)			
PACIFIC CONSULTANTS INTERNATIONAL			
DESIGNED KIMURA TORU	CHECKED KONDO MASAMI		
DATE : JUNE 2001	DWG. No. PE - WWTP - 208 - 01		

EFFLUENT PIPE PLAN AND SECTION (No.2). Scale: 1/100

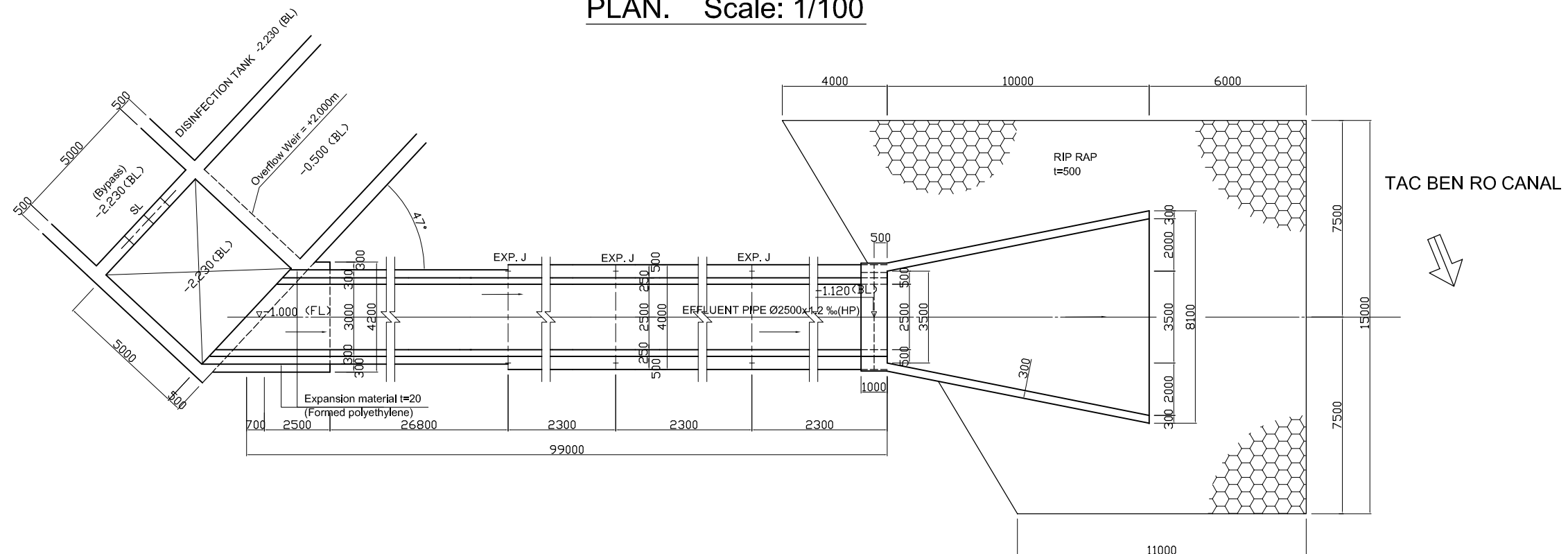
KEY PLAN



LONGITUDINAL PROFILE. Scale: 1/100



PLAN. Scale: 1/100



NOTES :

- ALL DIMENSIONS ARE MM UNLESS STATED OTHERWISE
- CONCRETE E21
- LEVELLING CONCRETE G10
- ALL REINFORCEMENT BARS ARE DEFORMED TYPE (CT5 OR EQUIVALENT AS INDICATED IN SPECIFICATION OF PACKAGE E)
- THE SPECIFICATION TO BE REFERRED FOR MORE INFORMATION OF MATERIAL GRADES
- PILE LOCATION SHOWN ON PILE ARRANGEMENT DWG. No. PE - WWTP - 254- 01
- DETAILS OF R.C PILE SHOWN ON DWG. No. PE - WWTP - 265 - 01

NO.	DATE	DESCRIPTIONS	BY	APRO.

REVISIONS

PROJECT MANAGEMENT UNIT FOR
HO CHI MINH CITY
WATER ENVIRONMENT IMPROVEMENT

THE DETAILED DESIGN STUDY ON HO CHI MINH CITY
WATER ENVIRONMENT IMPROVEMENT PROJECT
IN THE SOCIALIST REPUBLIC OF VIET NAM

PACKAGE E
WASTEWATER TREATMENT PLANT
EFFLUENT PIPE AND SECTION (No.2)

SCALE 1/100

JICA JAPAN INTERNATIONAL COOPERATION
AGENCY (JICA)

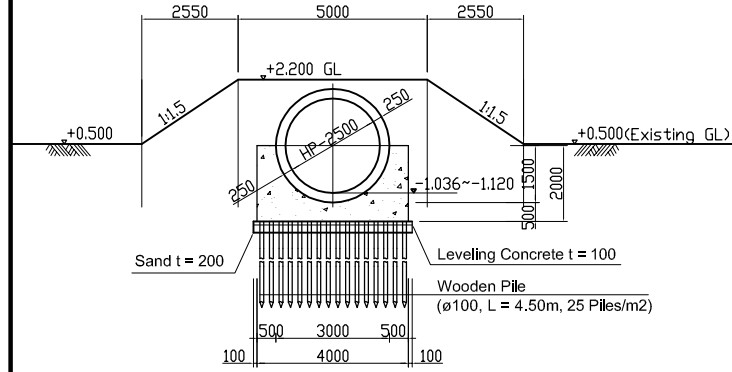
PACIFIC CONSULTANTS INTERNATIONAL

DESIGNED
KIMURA TORU

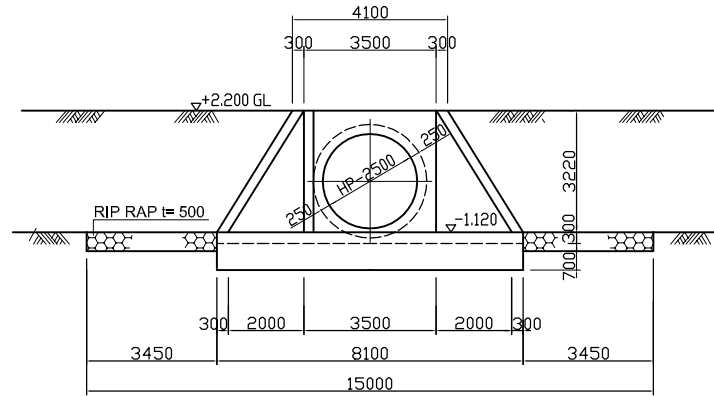
CHECKED
KONDO MASAMI

DATE : JUNE 2001 DWG. No. PE - WWTP - 208 - 02

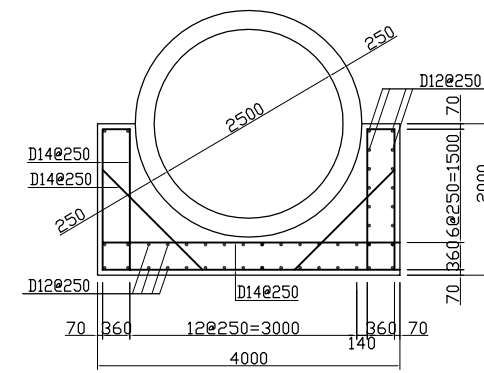
SECTION 1-1 Scale: 1/100



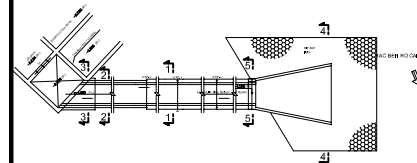
SECTION 4-4 Scale: 1/100



DISCHARGE PIPE FOUNDATION Scale: 1/50



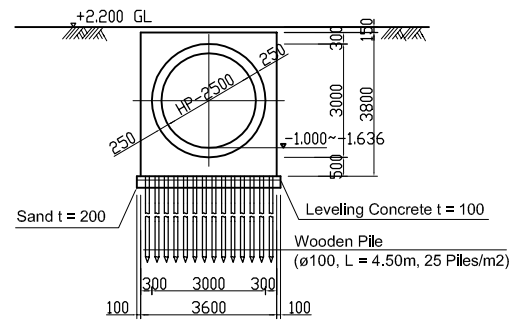
KEY PLAN



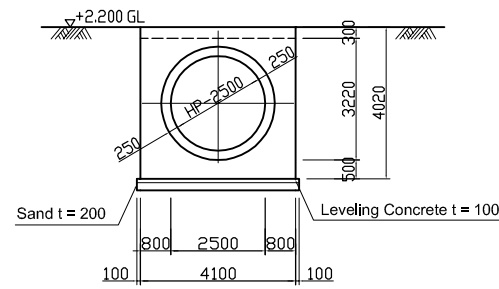
NOTES :

- ALL DIMENSIONS ARE MM UNLESS STATED OTHERWISE
- CONCRETE E21
- LEVELLING CONCRETE G10
- ALL REINFORCEMENT BARS ARE DEFORMED TYPE (CT5 OR EQUIVALENT AS INDICATED IN SPECIFICATION OF PACKAGE E)
- THE SPECIFICATION TO BE REFERRED FOR MORE INFORMATION OF MATERIAL GRADES

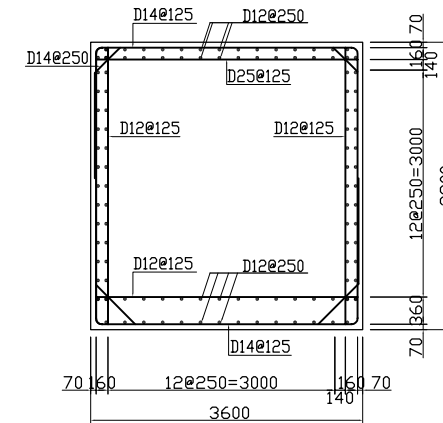
SECTION 2-2 Scale: 1/100



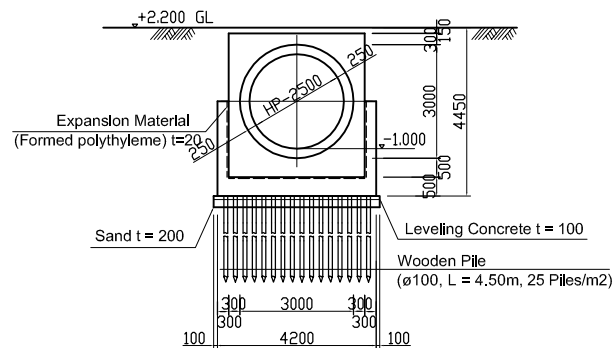
SECTION 5-5 Scale: 1/100



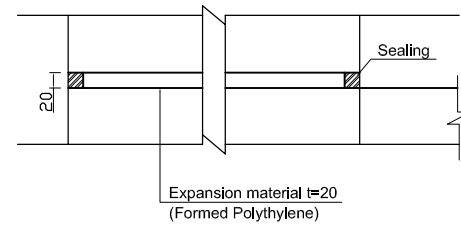
DISCHARGE PIPE BAR ARRANGEMENT Scale: 1/50



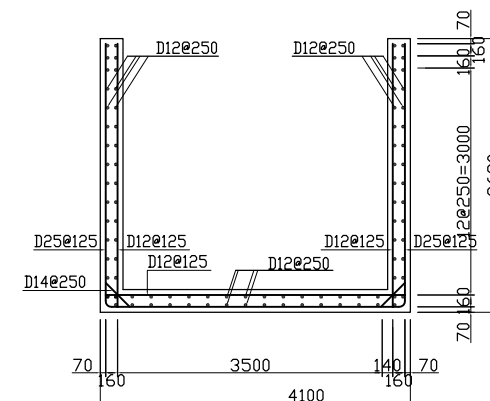
SECTION 3-3 Scale: 1/100



DETAIL OF EXPANSION MATERIAL Scale: 1/5



EFFLUENT PIPE PLAN AND SECTION (No.3)



NO.	DATE	DESCRIPTIONS	BY	APRO.

REVISIONS

PROJECT MANAGEMENT UNIT FOR
HO CHI MINH CITY
WATER ENVIRONMENT IMPROVEMENT

THE DETAILED DESIGN STUDY ON HO CHI MINH CITY
WATER ENVIRONMENT IMPROVEMENT PROJECT
IN THE SOCIALIST REPUBLIC OF VIET NAM

PACKAGE E
WASTEWATER TREATMENT PLANT
EFFLUENT PIPE PLAN AND SECTION
(No.3)

SCALE : 1 / 100

JICA JAPAN INTERNATIONAL COOPERATION
AGENCY (JICA)

PACIFIC CONSULTANTS INTERNATIONAL

DESIGNED
KIMURA TORU

CHECKED
KONDO MASAMI

DATE : JUNE 2001 DWG. No. PE - WWTP - 208-03