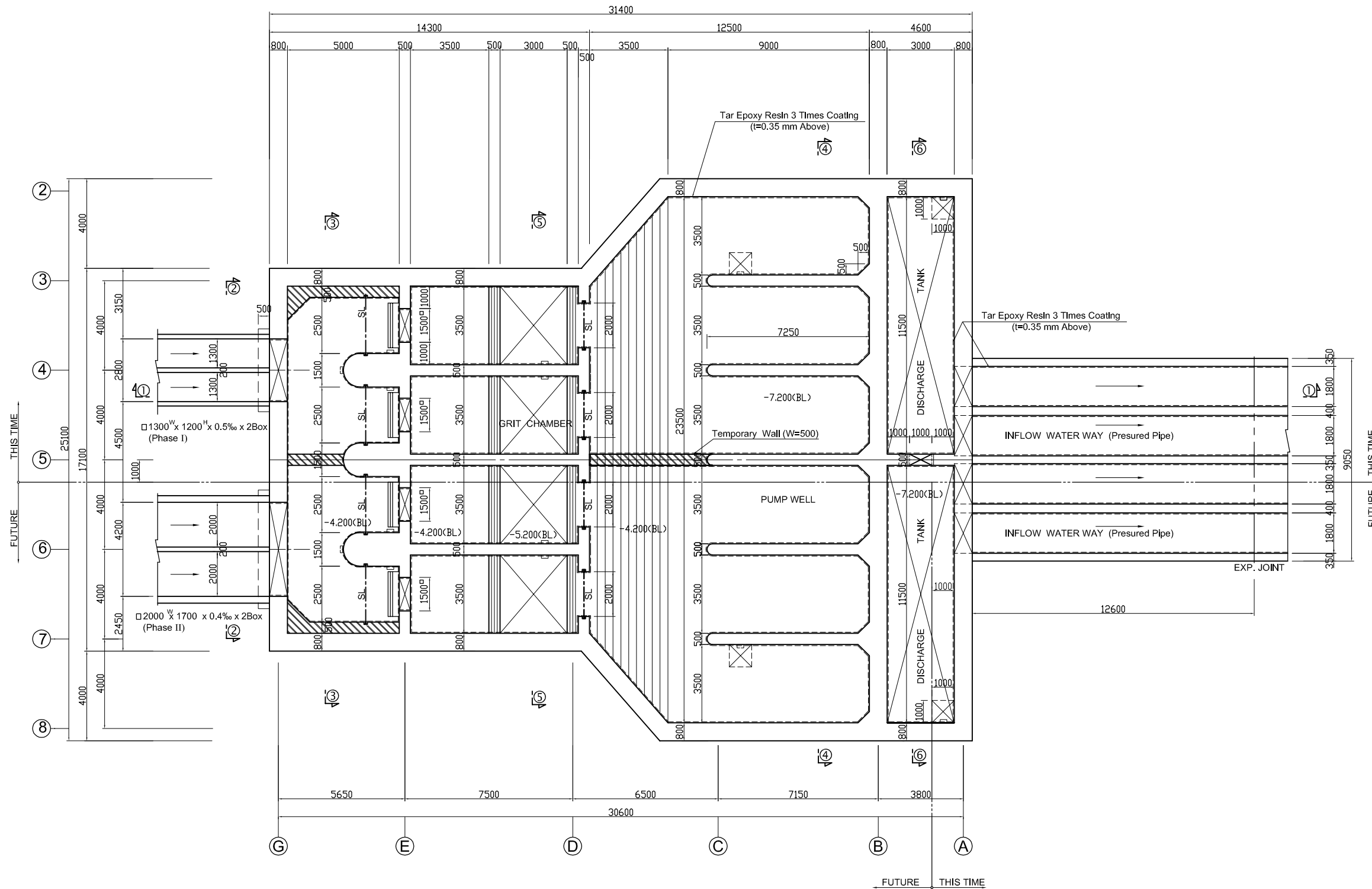
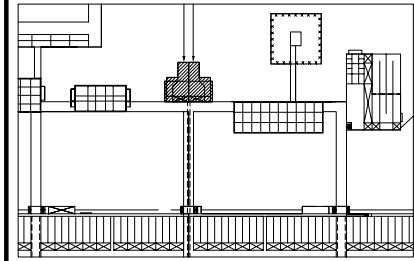


LIFT PUMPING STATION PLAN (No. 1)

WATERWAY FLOOR PLAN Scale: 1/100



KEY PLAN



NOTES :

- ALL DIMENSIONS ARE MM UNLESS STATED OTHERWISE
- CONCRETE E21
- LEVELLING CONCRETE G10
- ALL REINFORCEMENT BARS ARE DEFORMED TYPE (CT5 OR EQUIVALENT AS INDICATED IN SPECIFICATION OF PACKAGE E)
- THE SPECIFICATION TO BE REFERRED FOR MORE INFORMATION OF MATERIAL GRADES

DATE	DESCRIPTIONS	BY	APRO.

REVISIONS

PROJECT MANAGEMENT UNIT FOR
WATER ENVIRONMENT IMPROVEMENT FOR
HO CHI MINH CITY

THE DETAILED DESIGN ON HO CHI MINH CITY
WATER ENVIRONMENT IMPROVEMENT PROJECT
IN THE SOCIALIST REPUBLIC OF VIET NAM

PACKAGE E
WASTEWATER TREATMENT PLANT
LIFT PUMPING STATION PLAN (No. 1)
WATERWAY FLOOR PLAN

SCALE : 1/100

JICA JAPAN INTERNATIONAL COOPERATION
AGENCY (JICA)

PACIFIC CONSULTANTS INTERNATIONAL

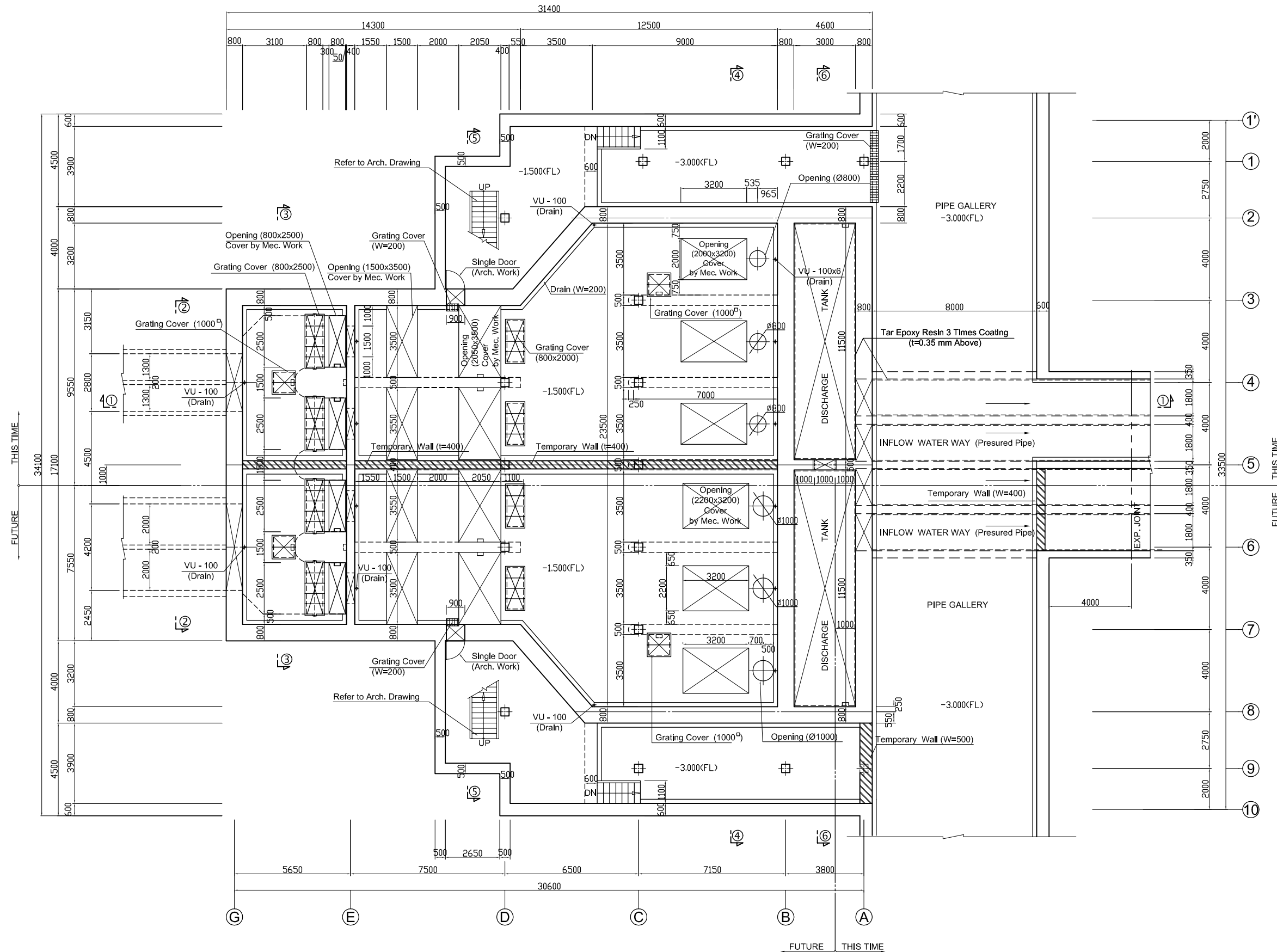
DESIGNED
KIMURA TORU

CHECKED
KONDO MASAMI

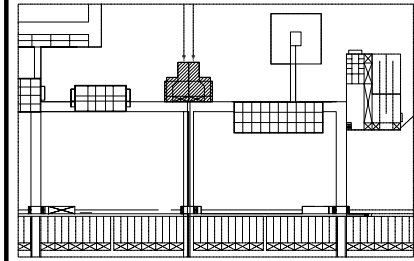
DATE : JUNE 2001 DWG.No. PE - WWTP - 202 - 01

LIFT PUMPING STATION PLAN (2)

B1F PLAN Scale: 1/100



KEY PLAN



NOTES :

- ALL DIMENSIONS ARE MM UNLESS STATED OTHERWISE
- CONCRETE E21
- LEVELLING CONCRETE G10
- ALL REINFORCEMENT BARS ARE DEFORMED TYPE (CT5 OR EQUIVALENT AS INDICATED IN SPECIFICATION OF PACKAGE E)
- THE SPECIFICATION TO BE REFERRED FOR MORE INFORMATION OF MATERIAL GRADES

DATE	DESCRIPTIONS	BY	APRO.

REVISIONS

PROJECT MANAGEMENT UNIT FOR
WATER ENVIRONMENT IMPROVEMENT FOR
HO CHI MINH CITY

THE DETAILED DESIGN ON HO CHI MINH CITY
WATER ENVIRONMENT IMPROVEMENT PROJECT
IN THE SOCIALIST REPUBLIC OF VIET NAM

PACKAGE E
WASTEWATER TREATMENT PLANT
LIFT PUMPING STATION PLAN (No. 2)
B1F PLAN

SCALE : 1/100

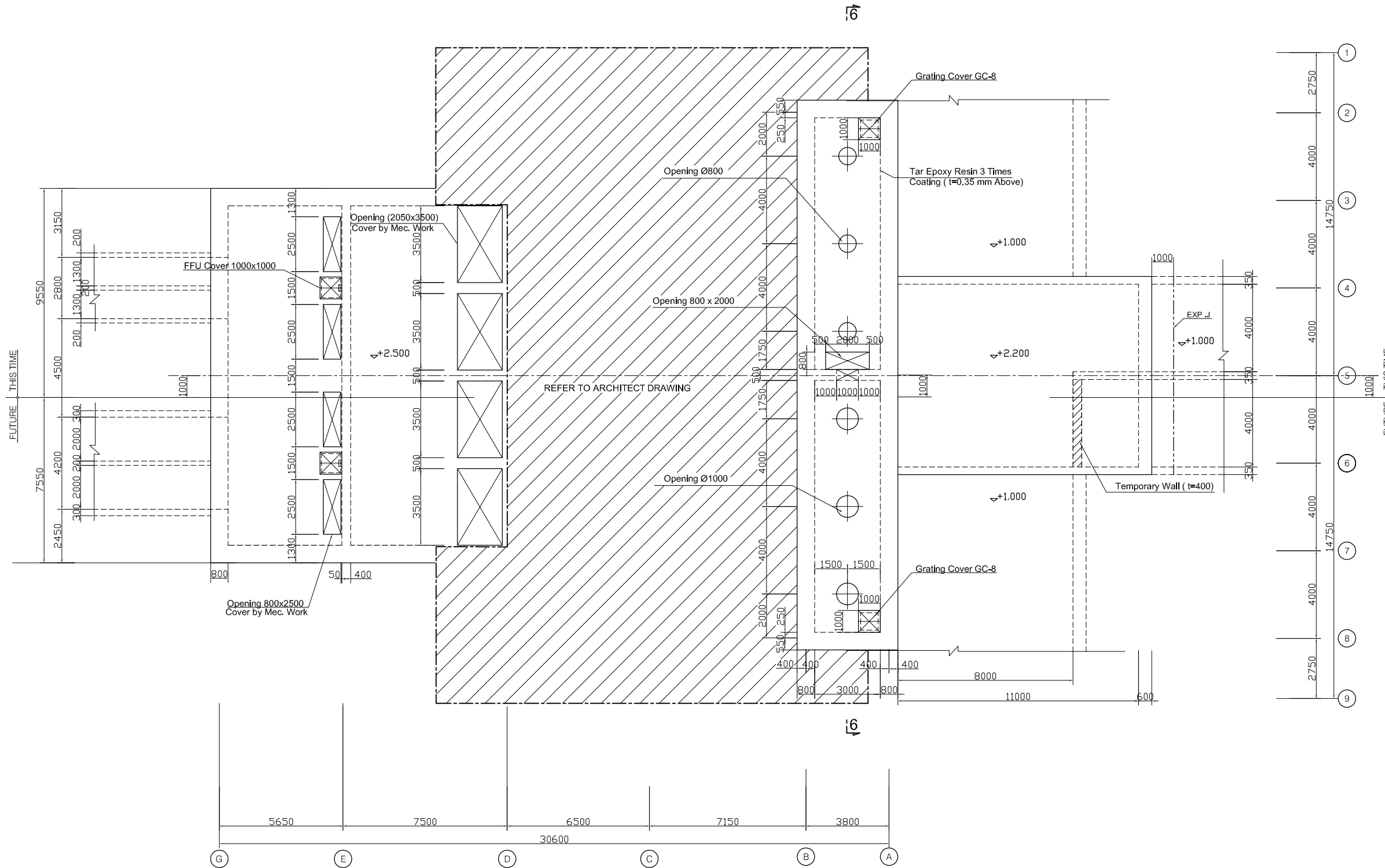
JICA JAPAN INTERNATIONAL COOPERATION
AGENCY (JICA)

PACIFIC CONSULTANTS INTERNATIONAL

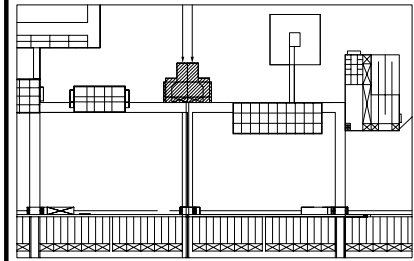
DESIGNED KIMURA TORU	CHECKED KONDO MASAMI
-------------------------	-------------------------

DATE : JUNE 2001 DWG. No. PE - WWTP - 202 - 02

LIFT PUMPING STATION PLAN (3)
(1F) Scale: 1/100



KEY PLAN



NOTES :

- ALL DIMENSIONS ARE MM UNLESS STATED OTHERWISE
- CONCRETE E21
- LEVELLING CONCRETE G10
- ALL REINFORCEMENT BARS ARE DEFORMED TYPE (CT5 OR EQUIVALENT AS INDICATED IN SPECIFICATION OF PACKAGE E)
- THE SPECIFICATION TO BE REFERRED FOR MORE INFORMATION OF MATERIAL GRADES

NO.	DATE	DESCRIPTIONS	BY	APRO.

REVISIONS				

PROJECT MANAGEMENT UNIT FOR
HO CHI MINH CITY
WATER ENVIRONMENT IMPROVEMENT

PACKAGE E
WASTEWATER TREATMENT PLANT
LIFT PUMPING STATION PLAN(3)
(1F)

SCALE : 1 / 100

JAPAN INTERNATIONAL COOPERATION AGENCY (JICA)

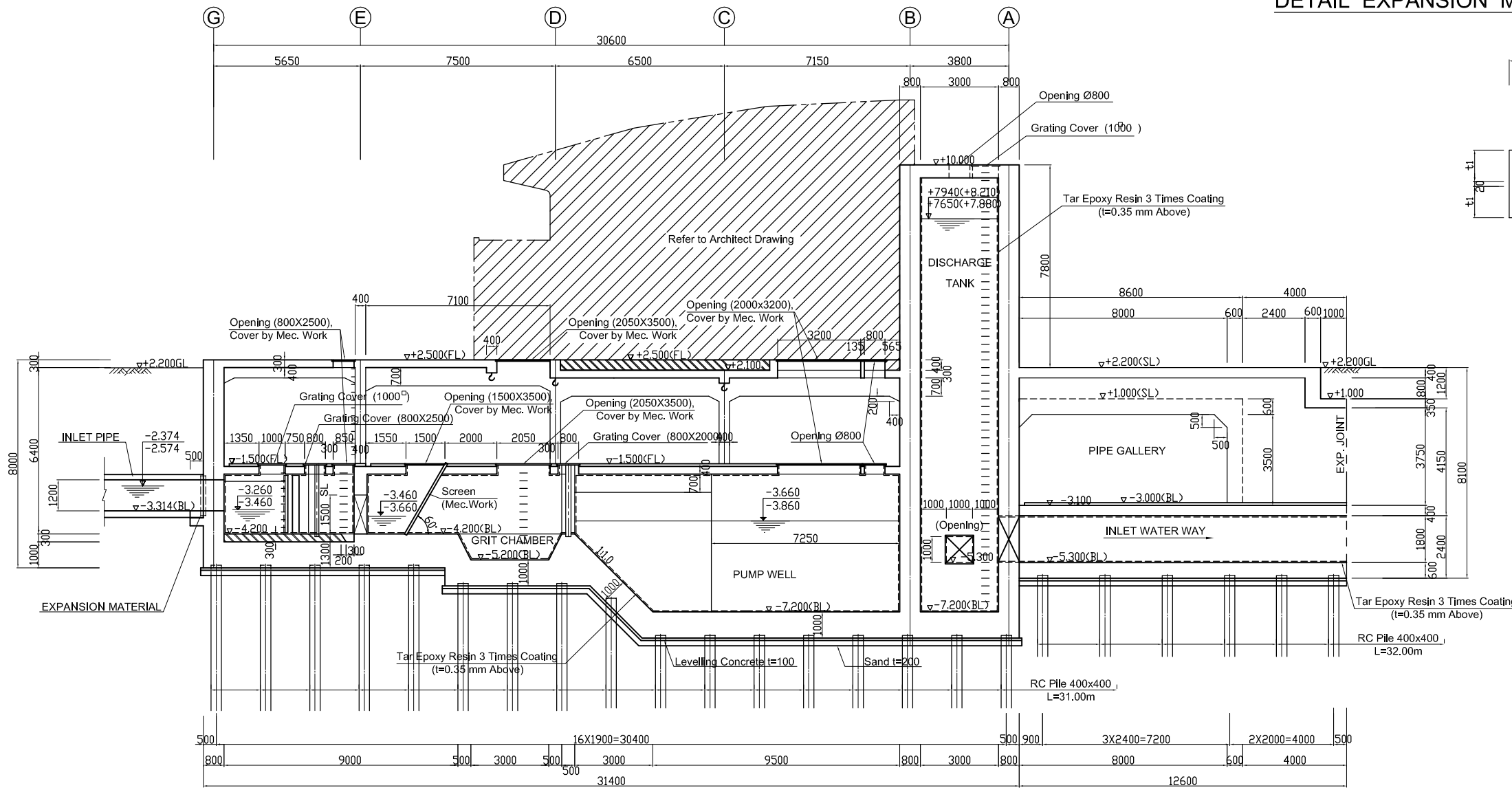
PACIFIC CONSULTANTS INTERNATIONAL

DESIGNED KIMURA TORU	CHECKED KONDO MASAMI
-------------------------	-------------------------

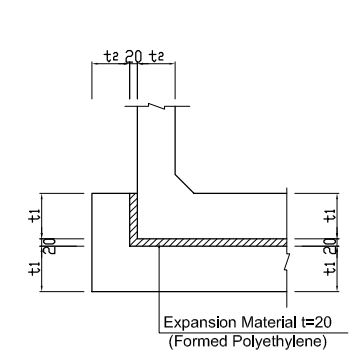
DATE : JUNE 2001 DWG. No. PE- WWTP - 202 - 03

LIFT PUMPING STATION SECTION (1)

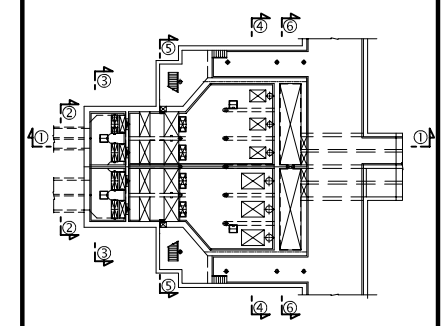
SECTION 1-1 Scale: 1/100



DETAIL EXPANSION MATERIAL Scale: 1/10



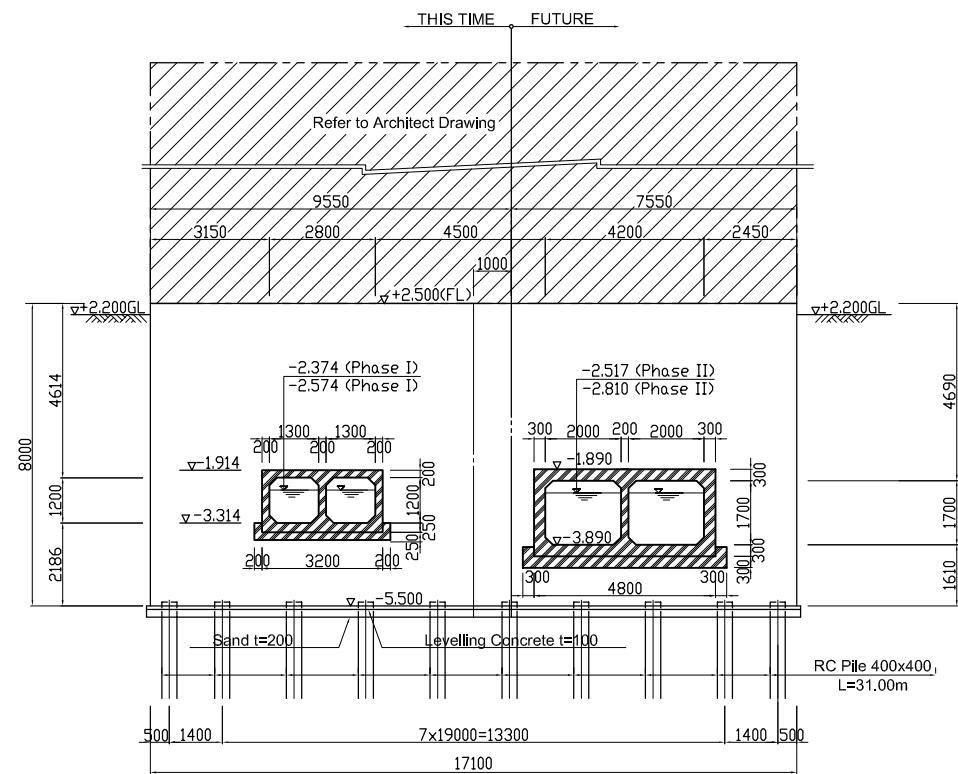
KEY PLAN



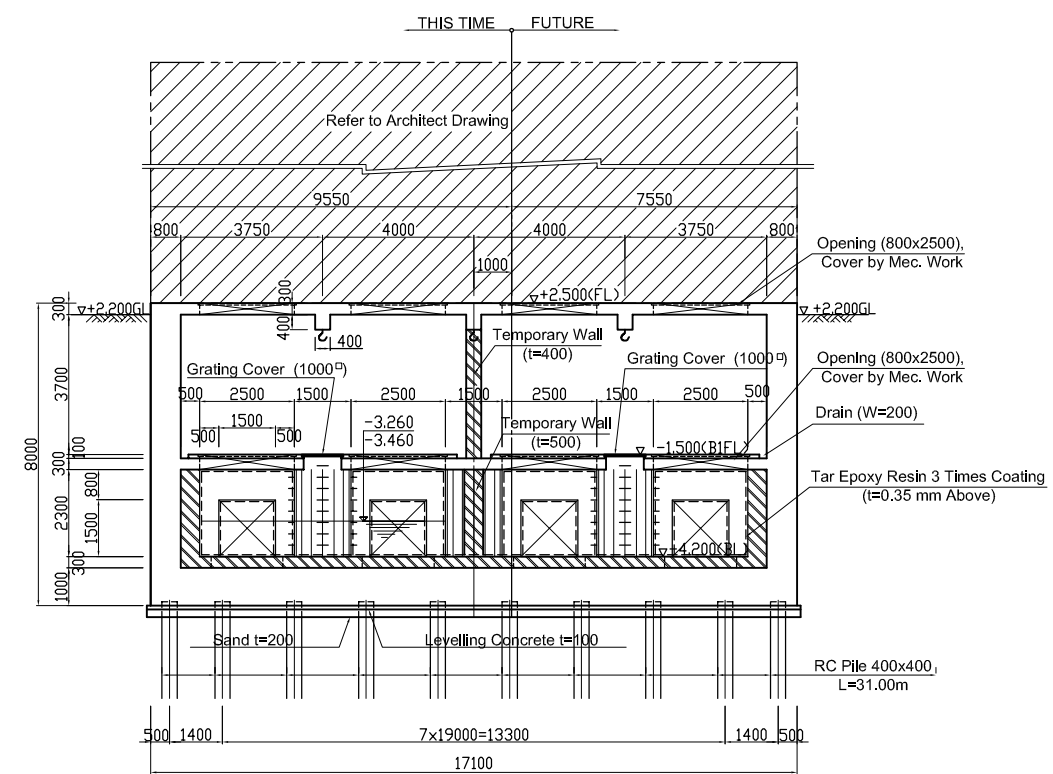
NOTES :

- ALL DIMENSIONS ARE MM UNLESS STATED OTHERWISE
- CONCRETE E21
- LEVELLING CONCRETE G10
- ALL REINFORCEMENT BARS ARE DEFORMED TYPE (CT5 OR EQUIVALENT AS INDICATED IN SPECIFICATION OF PACKAGE E)
- THE SPECIFICATION TO BE REFERRED FOR MORE INFORMATION OF MATERIAL GRADES
- PILE LOCATION SHOWN ON PILE ARRANGEMENT DWG. No. PE - WWTP - 251 - 01
- DETAILS OF R.C PILE SHOWN ON DWG. No. PE - WWTP - 265 - 01

SECTION 2-2 Scale: 1/100



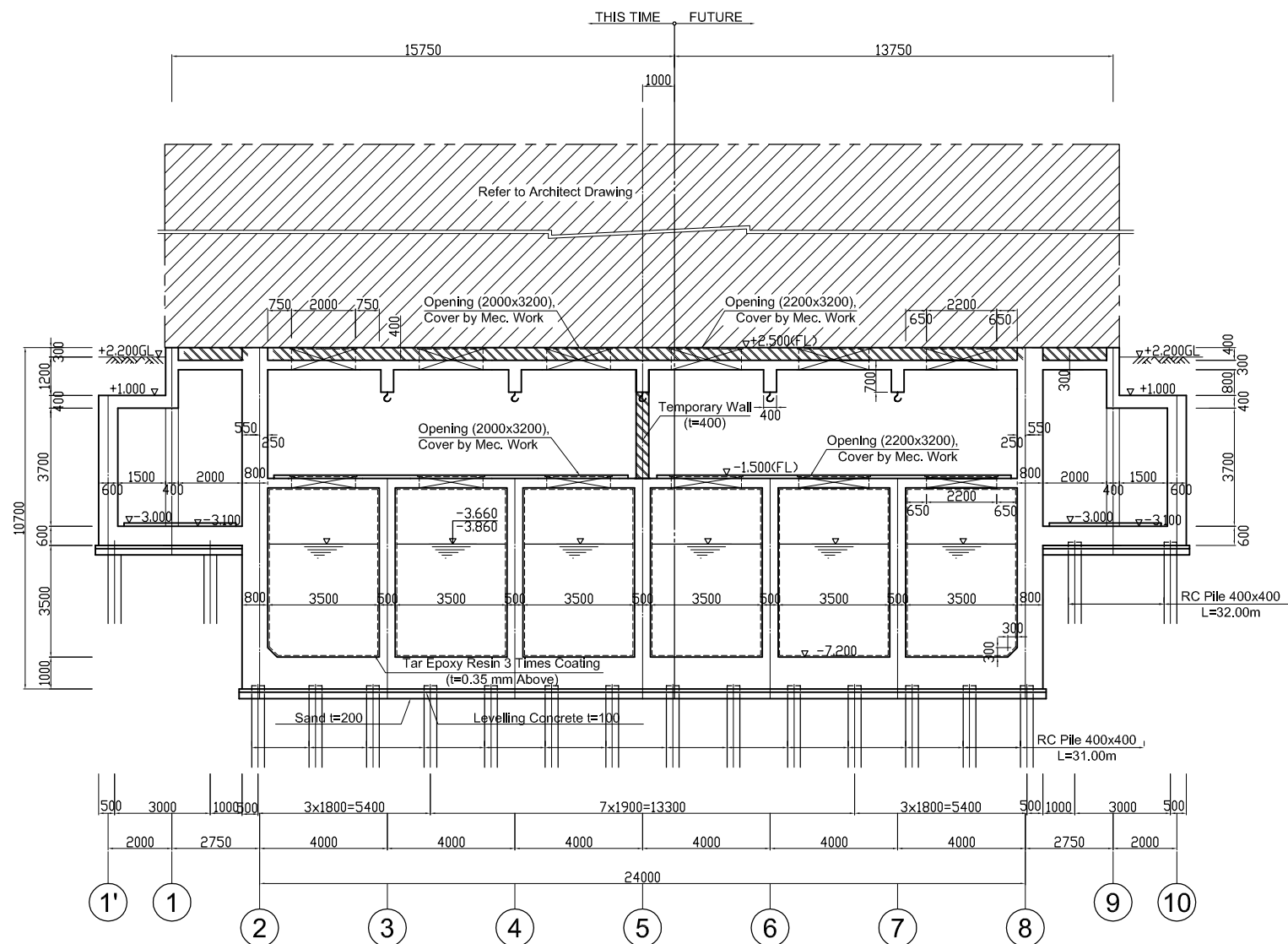
SECTION 3-3 Scale: 1/100



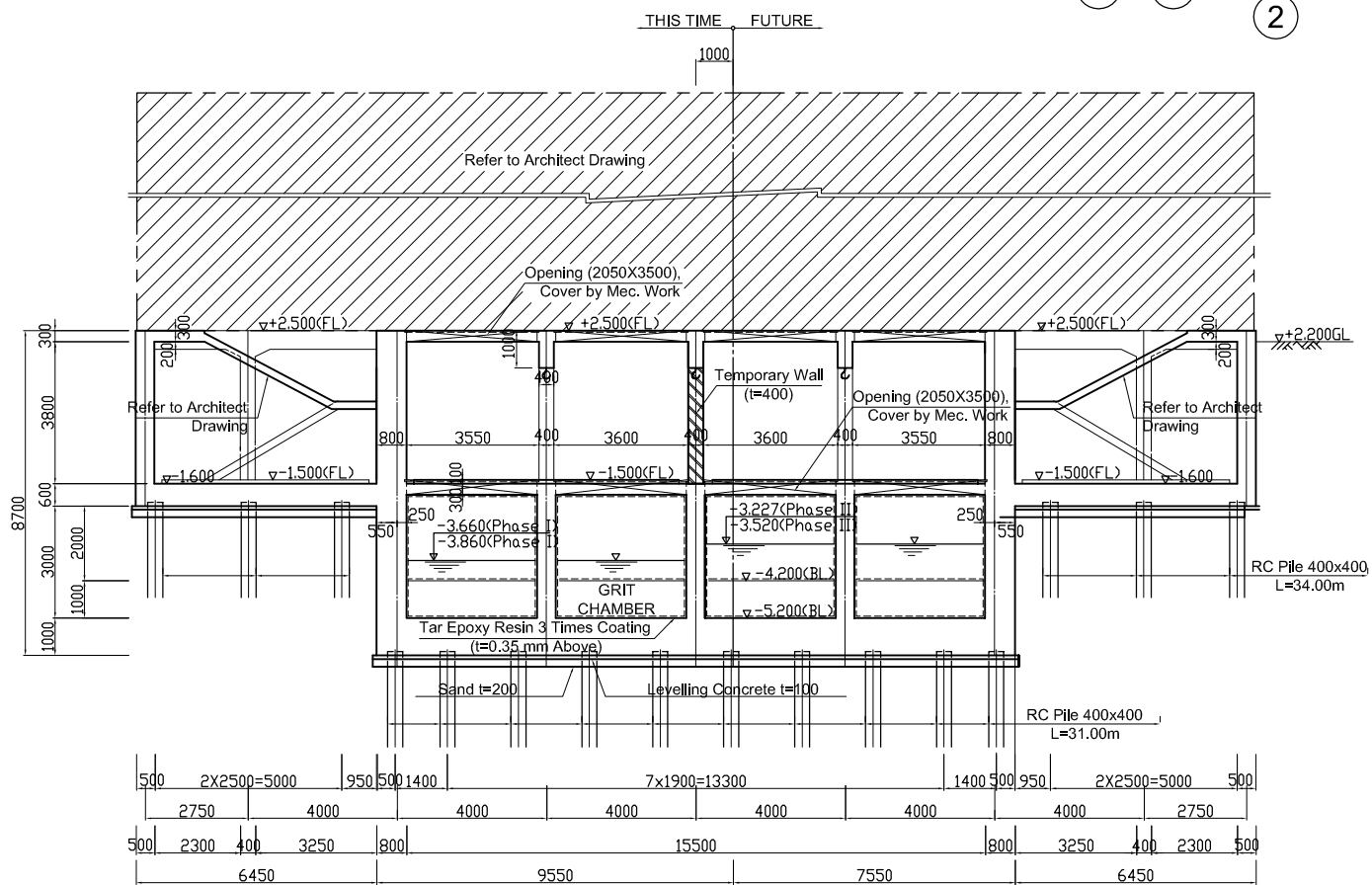
DATE	DESCRIPTIONS	BY	APRO.
REVISIONS			
PROJECT MANAGEMENT UNIT FOR WATER ENVIRONMENT IMPROVEMENT FOR HO CHI MINH CITY			
THE DETAILED DESIGN ON HO CHI MINH CITY WATER ENVIRONMENT IMPROVEMENT PROJECT IN THE SOCIALIST REPUBLIC OF VIET NAM			
PACKAGE E WASTEWATER TREATMENT PLANT LIFT PUMPING STATION SECTION (No. 1)			
SCALE : 1/10, 1/100			
JICA JAPAN INTERNATIONAL COOPERATION AGENCY (JICA)			
PACIFIC CONSULTANTS INTERNATIONAL			
DESIGNED KIMURA TORU	CHECKED KONDO MASAMI		
DATE : JUNE 2001	DWG. No. PE - WWTP -202 - 04		

LIFT PUMPING STATION SECTION (2)

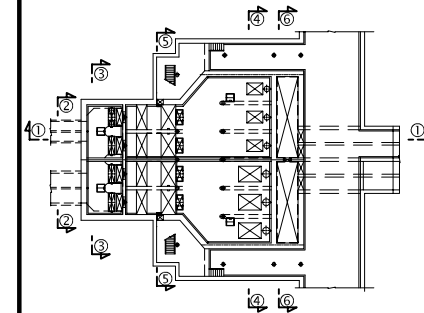
SECTION 4 - 4 Scale: 1/100



SECTION 5 - 5 Scale: 1/100



KEY PLAN



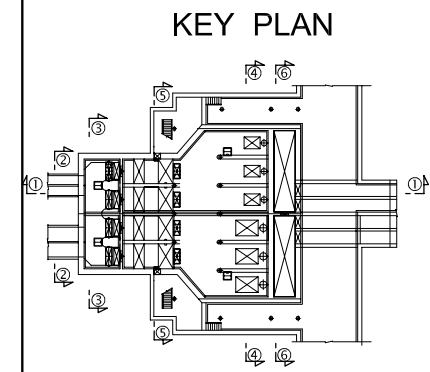
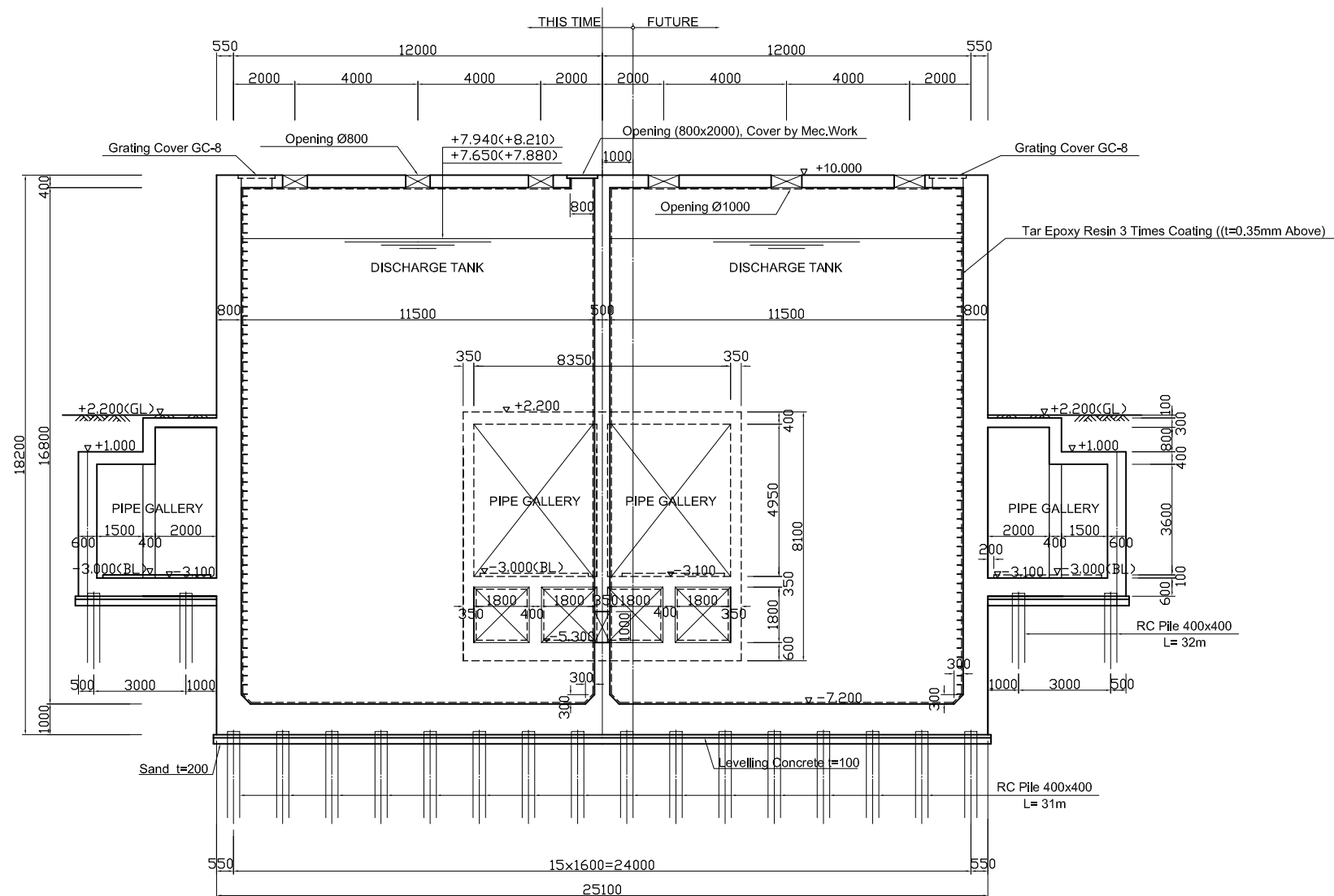
NOTES :

- ALL DIMENSIONS ARE MM UNLESS STATED OTHERWISE
- CONCRETE E21
- LEVELLING CONCRETE G10
- ALL REINFORCEMENT BARS ARE DEFORMED TYPE (CT5 OR EQUIVALENT AS INDICATED IN SPECIFICATION OF PACKAGE E)
- THE SPECIFICATION TO BE REFERRED FOR MORE INFORMATION OF MATERIAL GRADES
- PILE LOCATION SHOWN ON PILE ARRANGEMENT DWG. No. PE - WWTP - 251 - 01
- DETAILS OF R.C PILE SHOWN ON DWG. No. PE - WWTP - 265 - 01

DATE	DESCRIPTIONS	BY	APRO.
REVISIONS			
PROJECT MANAGEMENT UNIT FOR WATER ENVIRONMENT IMPROVEMENT FOR HO CHI MINH CITY			
THE DETAILED DESIGN ON HO CHI MINH CITY WATER ENVIRONMENT IMPROVEMENT PROJECT IN THE SOCIALIST REPUBLIC OF VIET NAM			
PACKAGE E WASTEWATER TREATMENT PLANT LIFT PUMPING STATION SECTION (No. 2)			
SCALE : 1/100			
JICA JAPAN INTERNATIONAL COOPERATION AGENCY (JICA)			
PACIFIC CONSULTANTS INTERNATIONAL			
DESIGNED KIMURA TORU	CHECKED KONDO MASAMI		
DATE : JUNE 2001	DWG. No. PE - WWTP - 202 - 05		

LIFT PUMPING STATION SECTION (3) Scale: 1/100

SECTION 6-6 Scale: 1/100



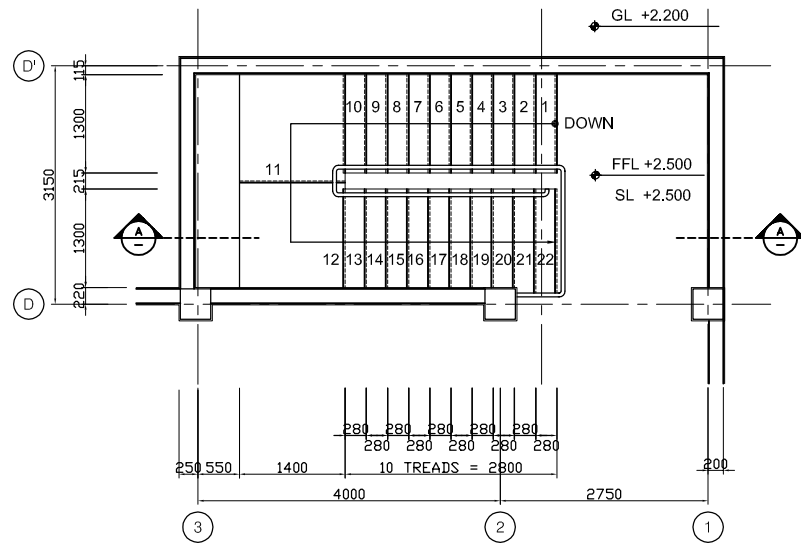
NOTES :

- ALL DIMENSIONS ARE MM UNLESS STATED OTHERWISE
- CONCRETE E21
- LEVELLING CONCRETE G10
- ALL REINFORCEMENT BARS ARE DEFORMED TYPE (CT5 OR EQUIVALENT AS INDICATED IN SPECIFICATION OF PACKAGE E)
- THE SPECIFICATION TO BE REFERRED FOR MORE INFORMATION OF MATERIAL GRADES
- PILE LOCATION SHOWN ON PILE ARRANGEMENT DWG. No. PE - WWTP - 251-01
- DETAILS OF R.C PILE SHOWN ON DWG. No. PE - WWTP - 265 - 01

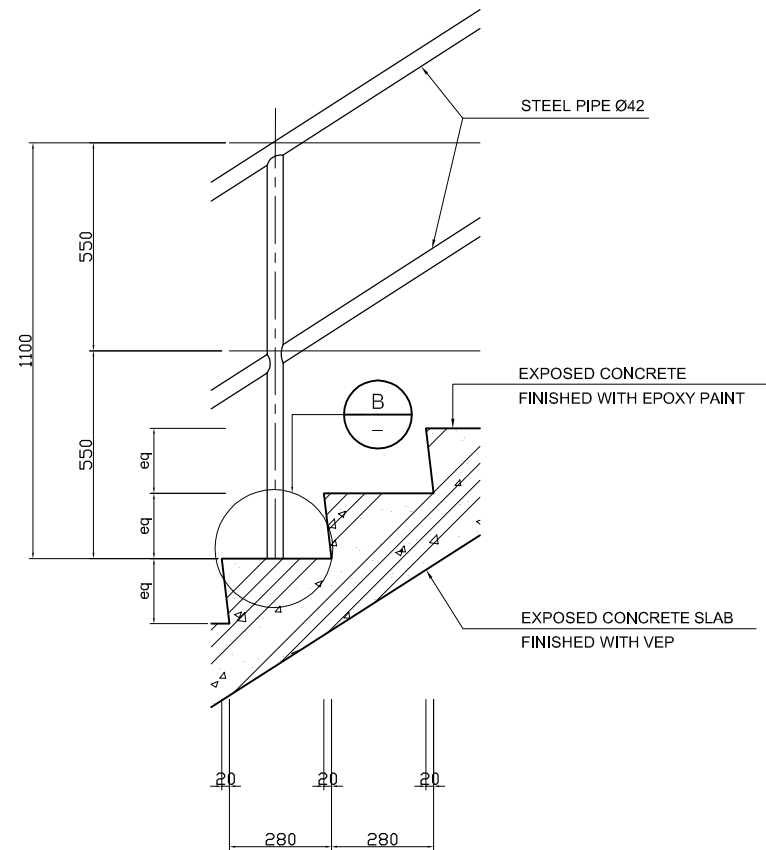
DATE	DESCRIPTIONS	BY	APRO.

REVISIONS	

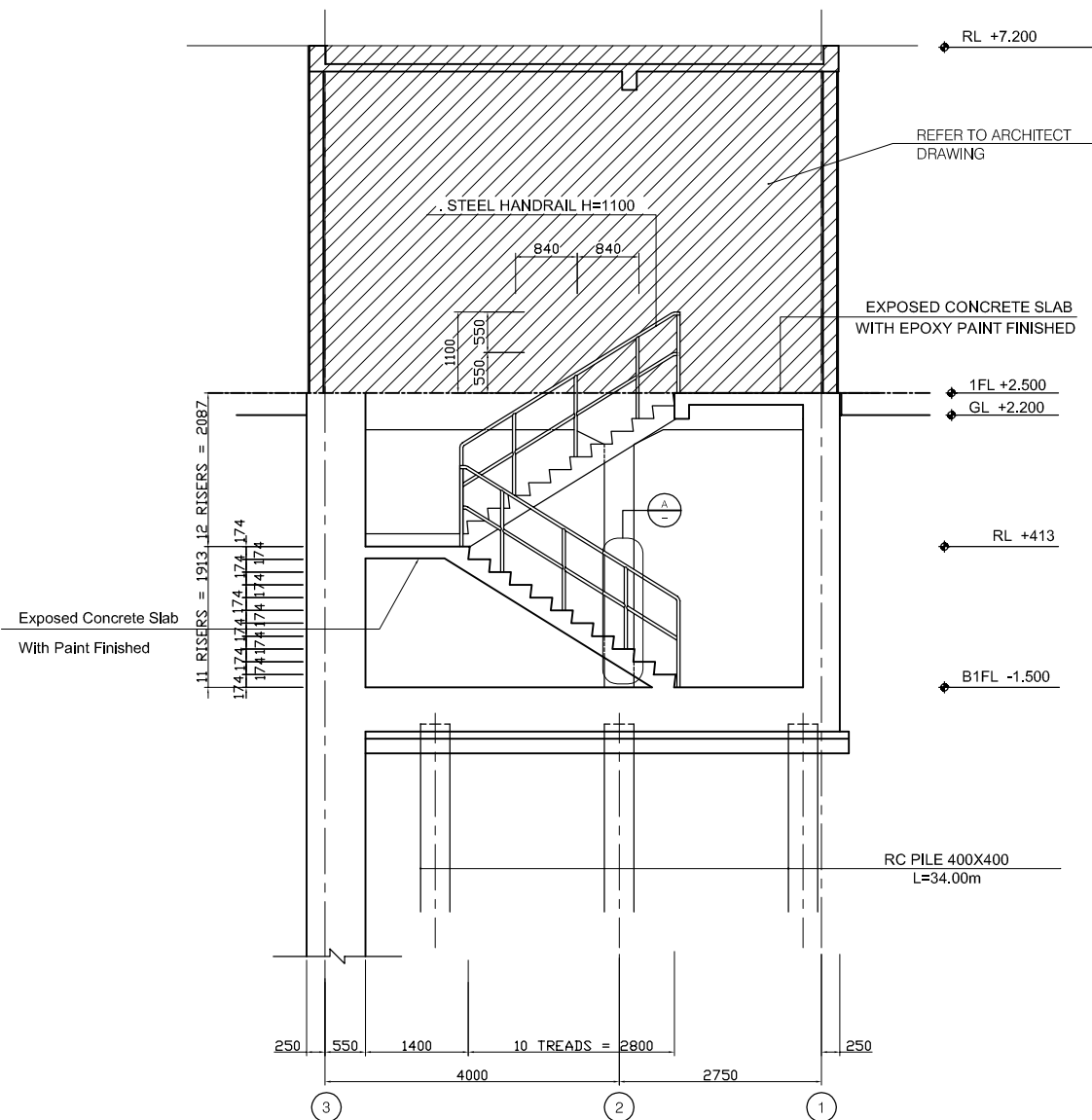
PROJECT MANAGEMENT UNIT FOR WATER ENVIRONMENT IMPROVEMENT FOR HO CHI MINH CITY	
THE DETAILED DESIGN ON HO CHI MINH CITY WATER ENVIRONMENT IMPROVEMENT PROJECT IN THE SOCIALIST REPUBLIC OF VIET NAM	
PACKAGE E WASTEWATER TREATMENT PLANT LIFT PUMPING STATION SECTION (3) SECTION 6-6	
SCALE : 1/100	
JAPAN INTERNATIONAL COOPERATION AGENCY (JICA)	
PACIFIC CONSULTANTS INTERNATIONAL	
DESIGNED KIMURA TORU	CHECKED KONDO MASAMI
DATE : JUNE 2001	DWG. No. PE - WWTP - 202 - 06



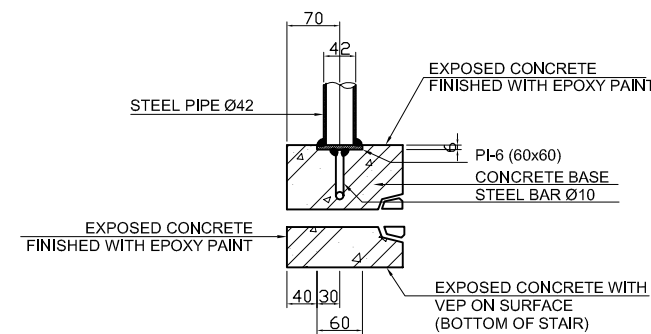
FLOOR PLAN Scale: 1/50



DETAIL A Scale: 1/ 10



SECTION A - A Scale: 1/50



DETAIL B Scale: 1/ 5

NOTES :

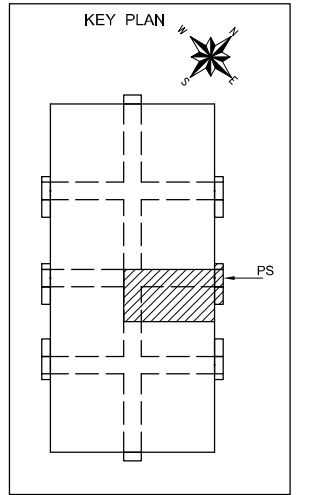
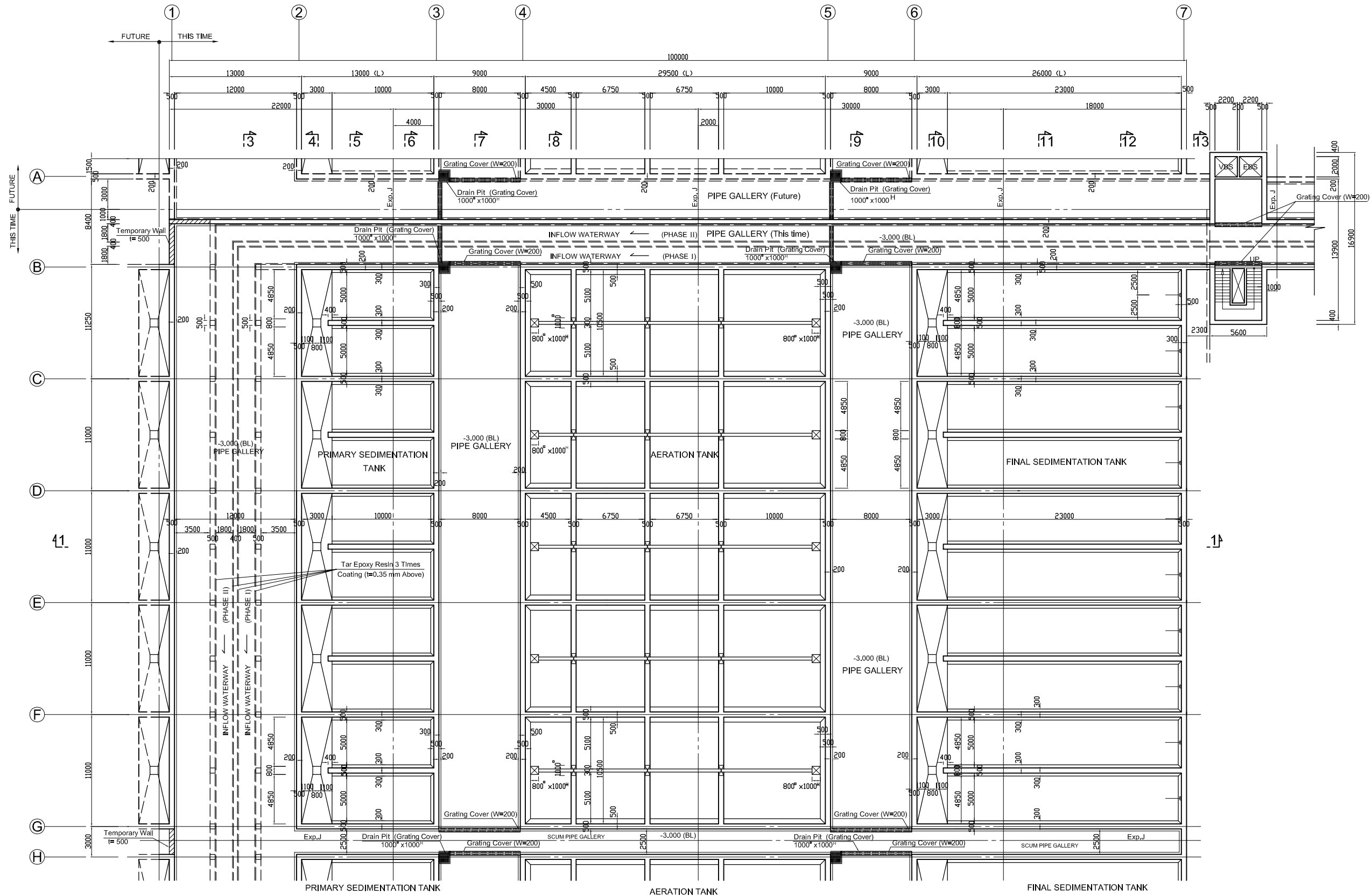
- ALL DIMENSIONS ARE MM UNLESS STATED OTHERWISE
- CONCRETE E21
- LEVELLING CONCRETE G10
- ALL REINFORCEMENT BARS ARE DEFORMED TYPE (CT5 OR EQUIVALENT AS INDICATED IN SPECIFICATION OF PACKAGE E)
- THE SPECIFICATION TO BE REFERRED FOR MORE INFORMATION OF MATERIAL GRADES

NO.	DATE	DESCRIPTIONS	BY	APRO.

REVISIONS	
PROJECT MANAGEMENT UNIT FOR HO CHI MINH CITY WATER ENVIRONMENT IMPROVEMENT	
THE DETAILED DESIGN ON HO CHI MINH CITY WATER ENVIRONMENT IMPROVEMENT PROJECT IN THE SOCIALIST REPUBLIC OF VIET NAM	
PACKAGE E	
WASTEWATER TREATMENT PLANT LIFT PUMPING STATION STAIRCASE PLAN and SECTION	

SCALE: 1/5, 1/10, 1/50	
JAPAN INTERNATIONAL COOPERATION AGENCY (JICA)	
PACIFIC CONSULTANTS INTERNATIONAL	
DESIGNED KIMURA TORU	CHECKED KONDO MASAMI
DATE : JUNE 2001	DWG. No. PE - WWTP - 202 - 07

PLAN (No. 1 - 1) Scale: 1/200



NOTES :

- ALL DIMENSIONS ARE MM UNLESS STATED OTHERWISE
- CONCRETE E21
- LEVELLING CONCRETE G10
- ALL REINFORCEMENT BARS ARE DEFORMED TYPE (CT5 OR EQUIVALENT AS INDICATED IN SPECIFICATION OF PACKAGE E)
- THE SPECIFICATION TO BE REFERRED FOR MORE INFORMATION OF MATERIAL GRADES

NO.	DATE	DESCRIPTIONS	BY	APRO.

REVISIONS

PROJECT MANAGEMENT UNIT FOR
HO CHI MINH CITY
WATER ENVIRONMENT IMPROVEMENT

THE DETAILED DESIGN STUDY ON HO CHI MINH CITY
WATER ENVIRONMENT IMPROVEMENT PROJECT
IN THE SOCIALIST REPUBLIC OF VIET NAM

PACKAGE E
WASTEWATER TREATMENT PLANT
**WASTEWATER TREATMENT PLANT
PLAN (No. 1 - 1)**

SCALE: 1 / 200

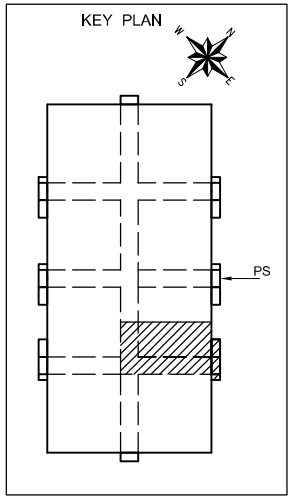
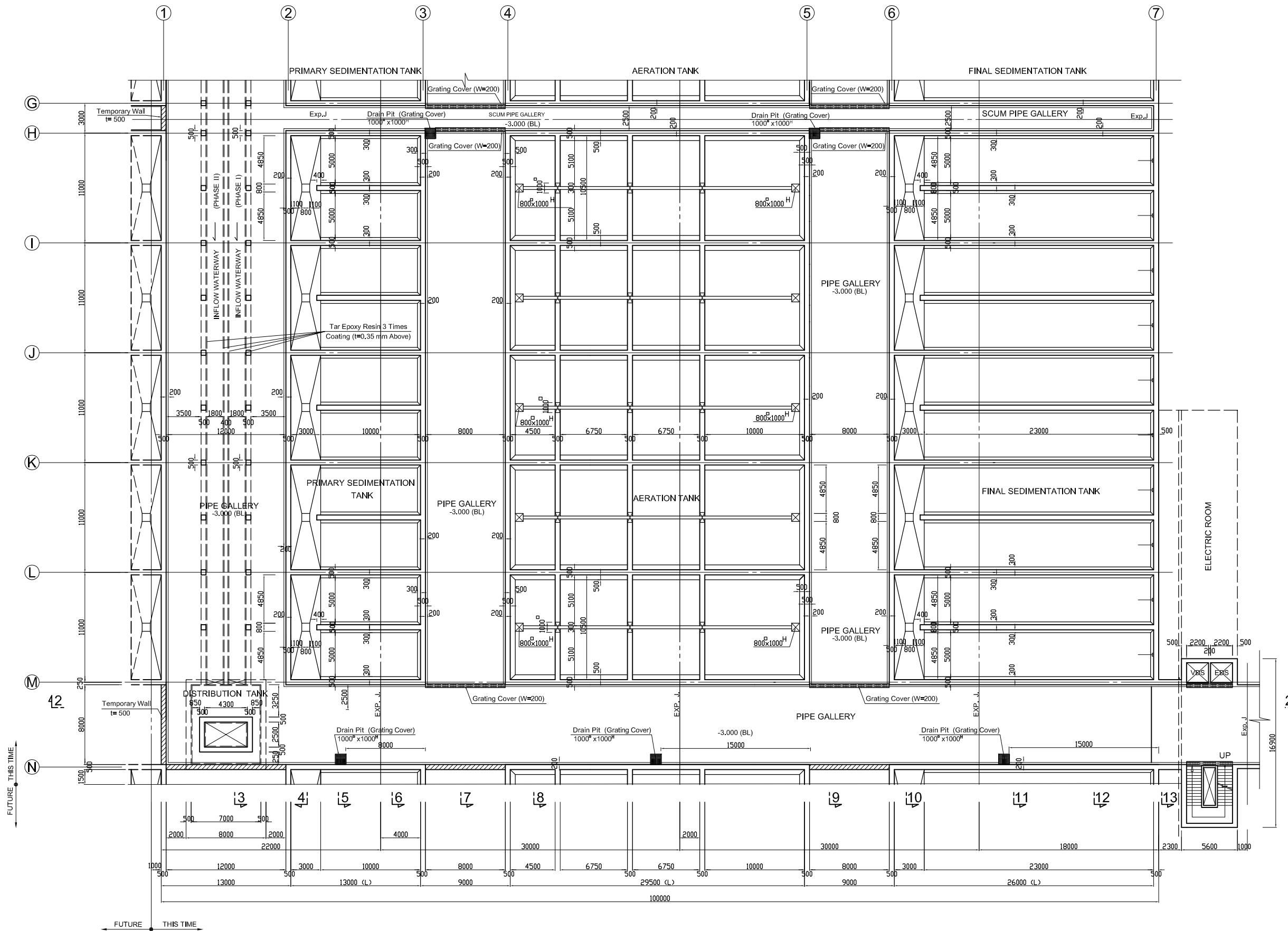
JICA JAPAN INTERNATIONAL COOPERATION
AGENCY (JICA)

PACIFIC CONSULTANTS INTERNATIONAL

DESIGNED KIMURA TORU	CHECKED KONDO MASAMI
-------------------------	-------------------------

DATE : JUNE 2001 DWG. No. PE-WWTP - 203-01

PLAN (No.1 - 2) Scale: 1/200



- NOTES :**
- ALL DIMENSIONS ARE MM UNLESS STATED OTHERWISE
 - CONCRETE E21
 - LEVELLING CONCRETE G10
 - ALL REINFORCEMENT BARS ARE DEFORMED TYPE (CT5 OR EQUIVALENT AS INDICATED IN SPECIFICATION OF PACKAGE E)
 - THE SPECIFICATION TO BE REFERRED FOR MORE INFORMATION OF MATERIAL GRADES

NO.	DATE	DESCRIPTIONS	BY	APPRO.
REVISIONS				

PROJECT MANAGEMENT UNIT FOR
HO CHI MINH CITY
WATER ENVIRONMENT IMPROVEMENT

THE DETAILED DESIGN STUDY ON HO CHI MINH CITY
WATER ENVIRONMENT IMPROVEMENT PROJECT
IN THE SOCIALIST REPUBLIC OF VIET NAM

PACKAGE E
WASTEWATER TREATMENT PLANT
WASTEWATER TREATMENT PLANT
PLAN (No. 1 - 2)

SCALE : 1 / 200

JICA JAPAN INTERNATIONAL COOPERATION
AGENCY (JICA)

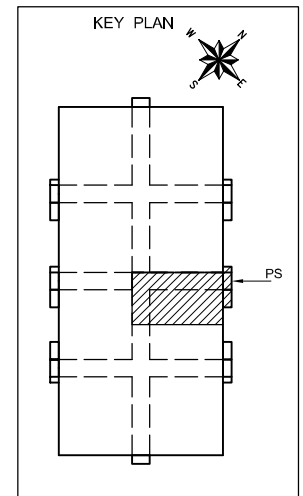
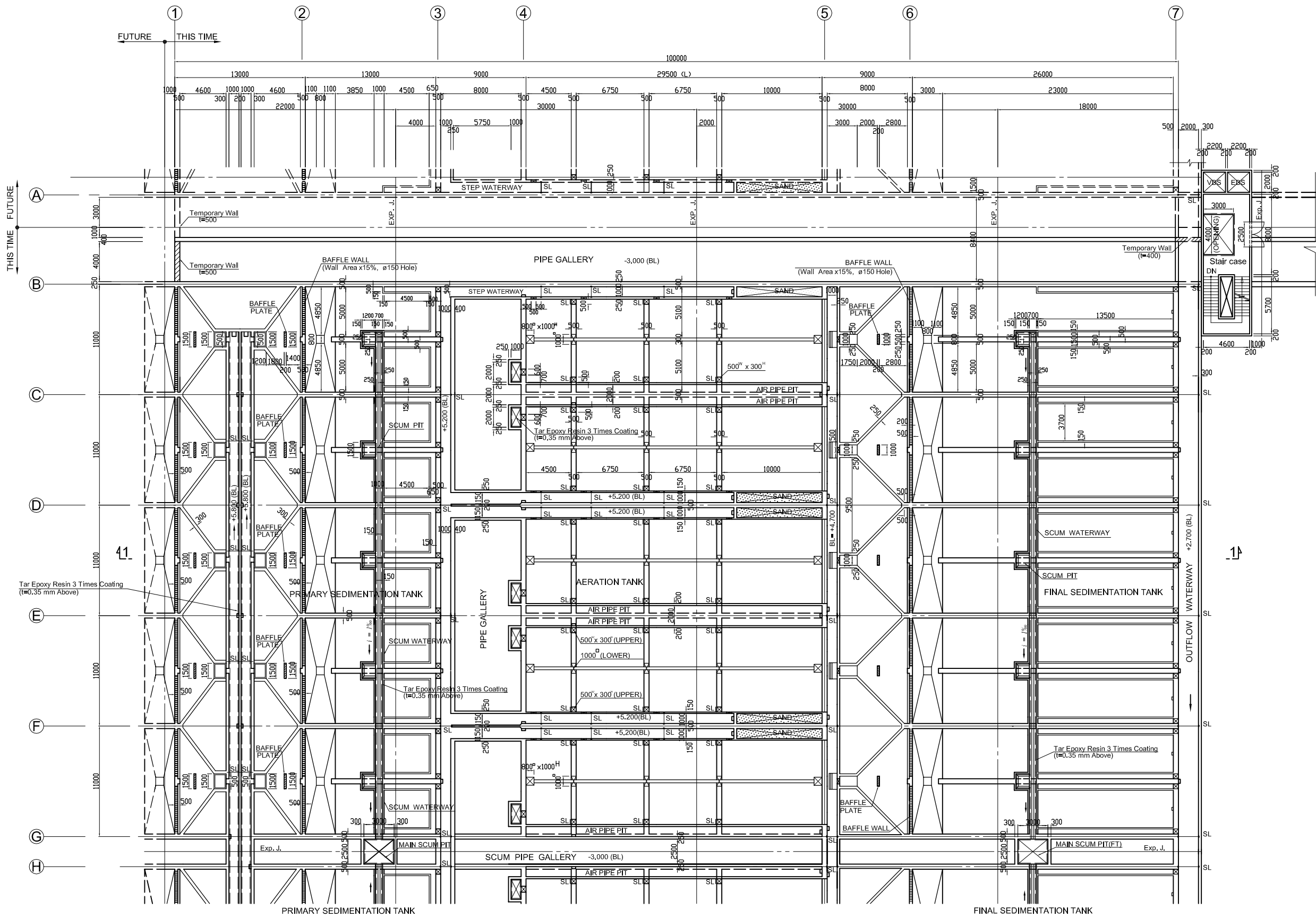
PACIFIC CONSULTANTS INTERNATIONAL

DESIGNED
KIMURA TORU

CHECKED
KONDO MASAMI

DATE : JUNE 2001 DWG. No. PE- WWTP - 203-02

PLAN (No. 2 - 1) Scale: 1/200



NOTES :

- ALL DIMENSIONS ARE MM UNLESS STATED OTHERWISE
- CONCRETE E21
- LEVELLING CONCRETE G10
- ALL REINFORCEMENT BARS ARE DEFORMED TYPE (CT5 OR EQUIVALENT AS INDICATED IN SPECIFICATION OF PACKAGE E)
- THE SPECIFICATION TO BE REFERRED FOR MORE INFORMATION OF MATERIAL GRADES
- SL - STOP LOG

NO.	DATE	DESCRIPTIONS	BY	APRO.

REVISIONS

PROJECT MANAGEMENT UNIT FOR
HO CHI MINH CITY
WATER ENVIRONMENT IMPROVEMENT

THE DETAILED DESIGN STUDY ON HO CHI MINH CITY
WATER ENVIRONMENT IMPROVEMENT PROJECT
IN THE SOCIALIST REPUBLIC OF VIET NAM

PACKAGE E
WASTEWATER TREATMENT PLANT

WASTEWATER TREATMENT PLANT
PLAN (No. 2 - 1)

SCALE : 1 / 200	
JAPAN INTERNATIONAL COOPERATION AGENCY (JICA)	
PACIFIC CONSULTANTS INTERNATIONAL	
DESIGNED KIMURA TORU	CHECKED KONDO MASAMI
DATE : JUNE 2001	DWG. No. PE-WWTP - 203-03