

M 10 - LINE 4

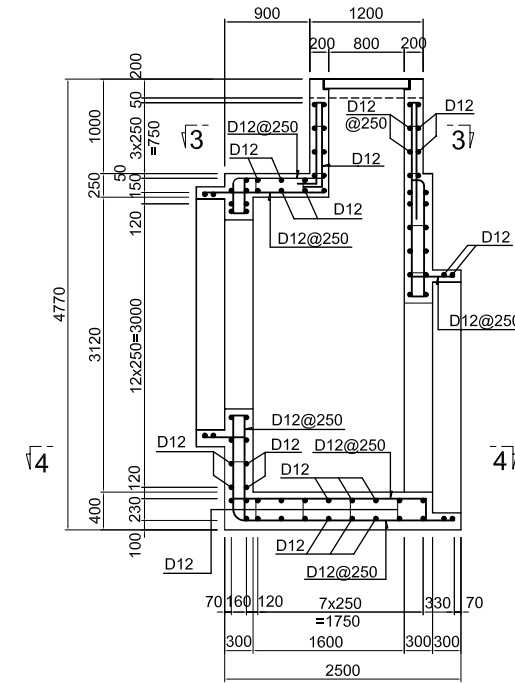
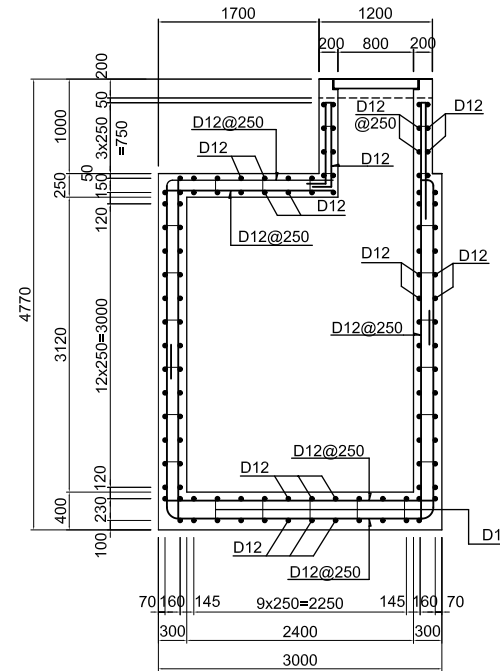
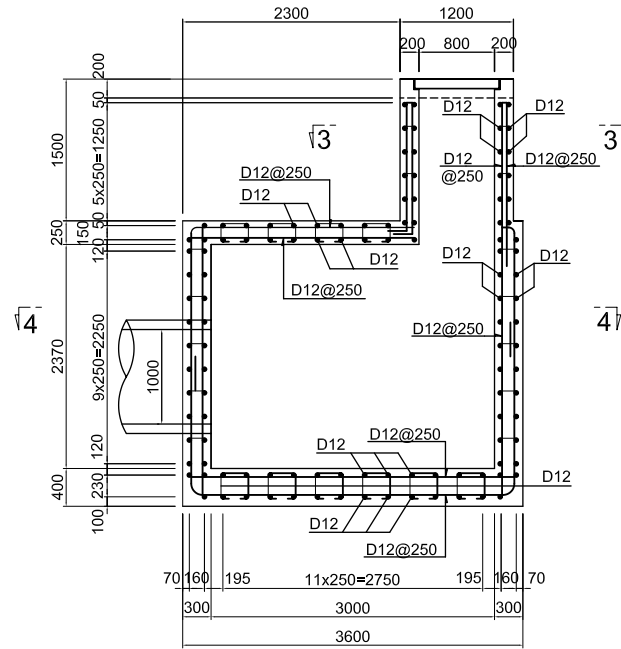
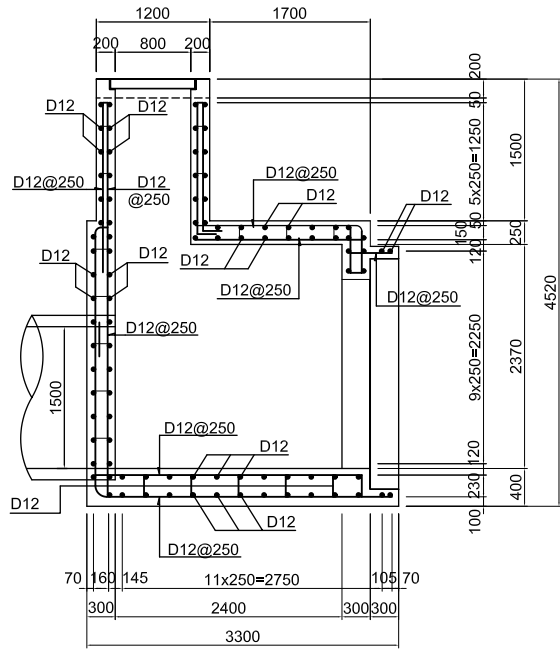
M 50 - LINE 5

1-1

2-2

1-1

2-2

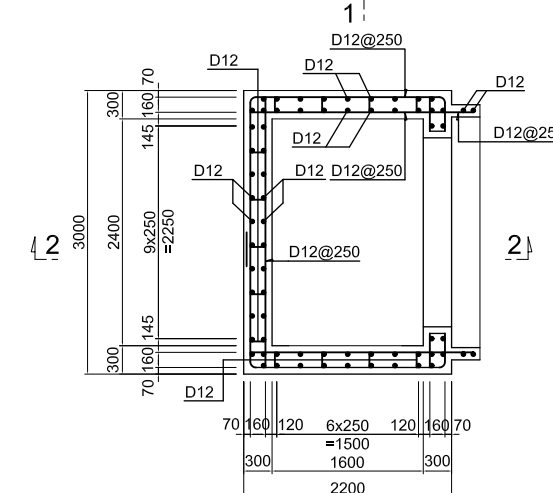
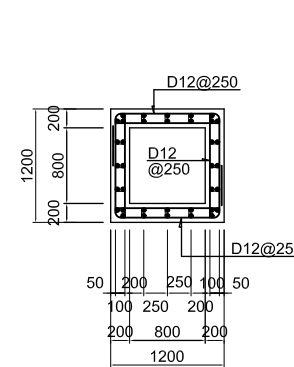
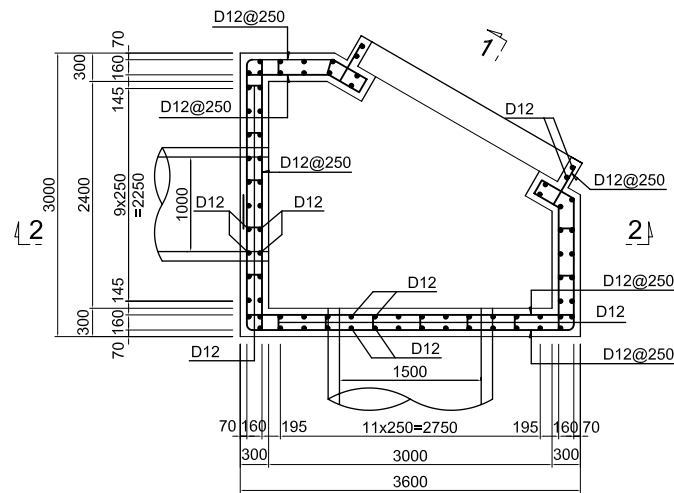
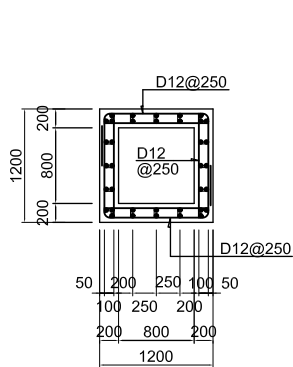


3-3

4-4

3-3

4-4



NO.	DATE	DESCRIPTIONS	BY	APRO.
REVISIONS				
PROJECT MANAGEMENT UNIT FOR HO CHI MINH CITY WATER ENVIRONMENT IMPROVEMENT				
THE DETAILED DESIGN STUDY ON HO CHI MINH CITY WATER ENVIRONMENT IMPROVEMENT PROJECT IN THE SOCIALIST REPUBLIC OF VIET NAM				
PACKAGE D EXITING COMBINED SEWER IMPROVEMENT				
BAR ARRANGEMENT OF SPECIAL MANHOLE FOR BOX CULVERT (2)				
SCALE : 1/40				
JAPAN INTERNATIONAL COOPERATION AGENCY ( JICA )		PACIFIC CONSULTANTS INTERNATIONAL		
DESIGNED KATSUKI TAKAAKI		CHECKED KONDO MASAMI		
DATE : JUNE 2001		DWG. No. PD - ECSI - 285		

M 38 - LINE 5

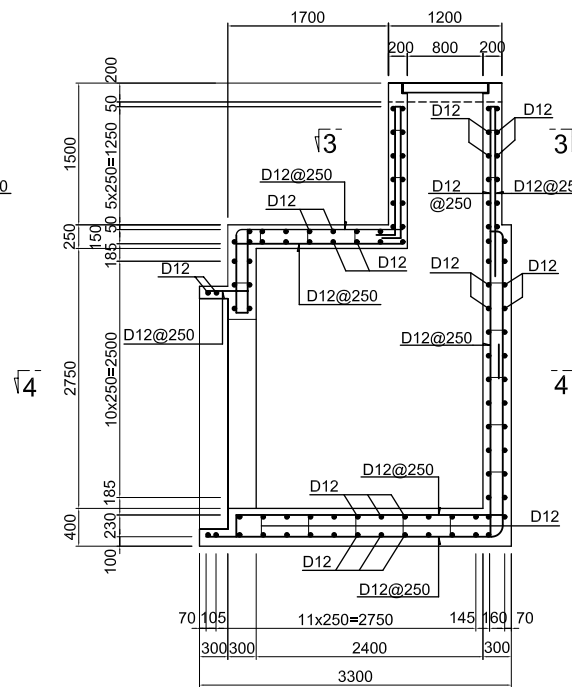
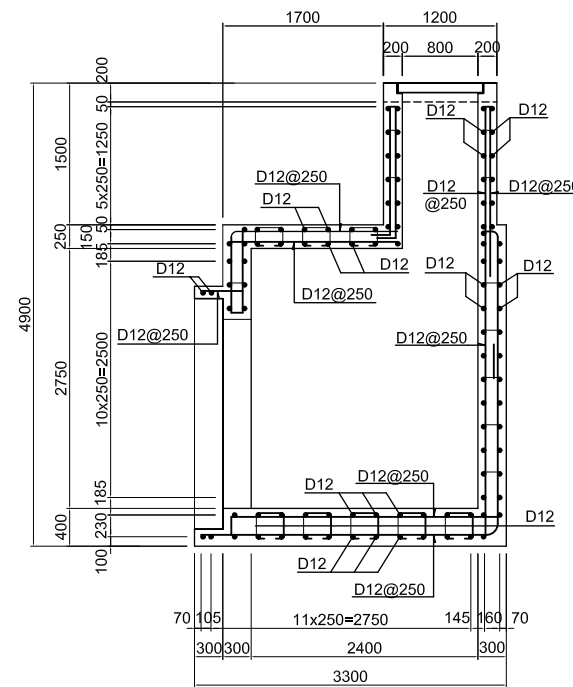
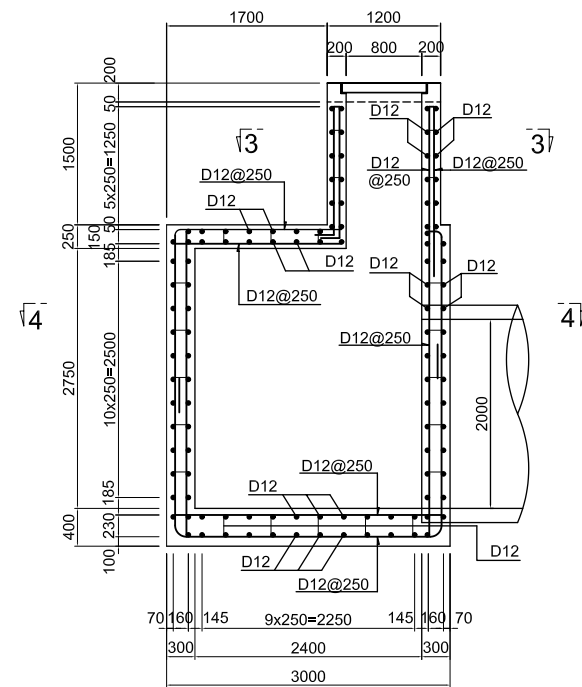
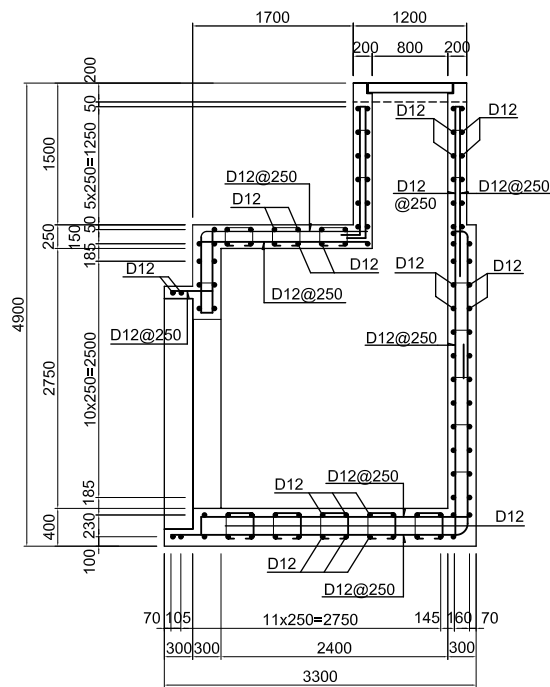
M 43 - LINE 5

2-2

2-2

1-1

2-2

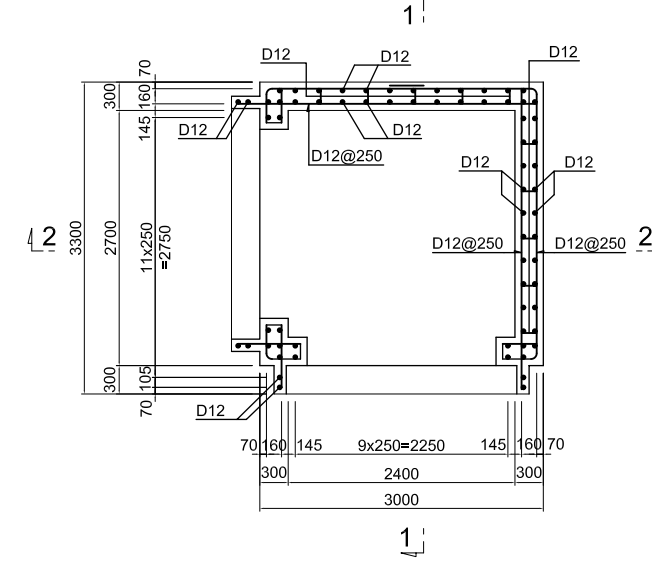
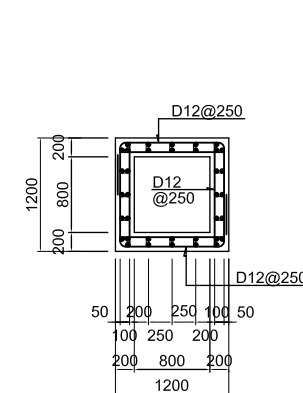
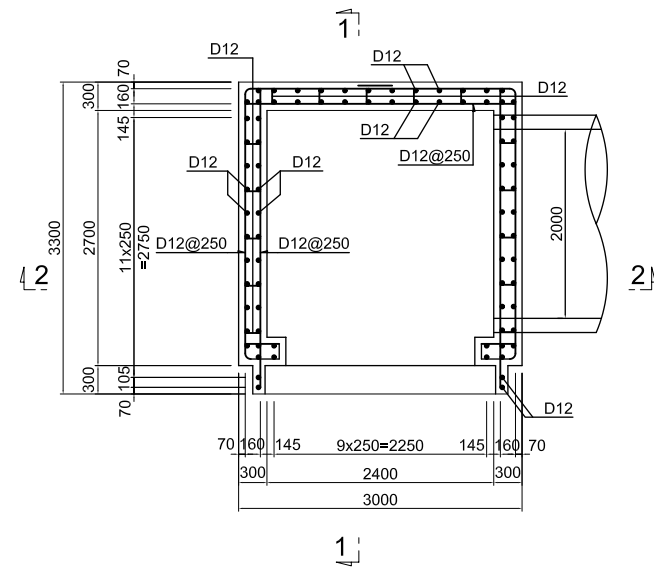
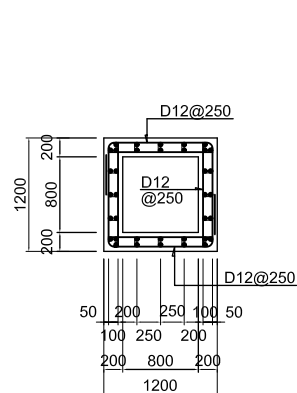


3-3

4-4

3-3

4-4

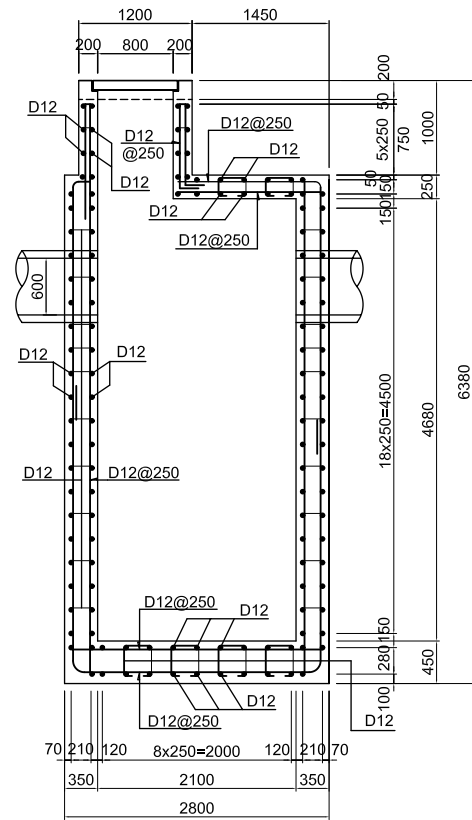


NO.	DATE	DESCRIPTIONS	BY	APRO.
REVISIONS				
PROJECT MANAGEMENT UNIT FOR HO CHI MINH CITY WATER ENVIRONMENT IMPROVEMENT				
THE DETAILED DESIGN STUDY ON HO CHI MINH CITY WATER ENVIRONMENT IMPROVEMENT PROJECT IN THE SOCIALIST REPUBLIC OF VIET NAM				
PACKAGE D EXITING COMBINED SEWER IMPROVEMENT				
BAR ARRANGEMENT OF SPECIAL MANHOLE FOR BOX CULVERT (3)				
SCALE : 1/40				
JAPAN INTERNATIONAL COOPERATION AGENCY ( JICA )				
PACIFIC CONSULTANTS INTERNATIONAL				
DESIGNED KATSUKI TAKAAKI		CHECKED KONDO MASAMI		
DATE : JUNE 2001		DWG. No. PD - ECSI - 286		

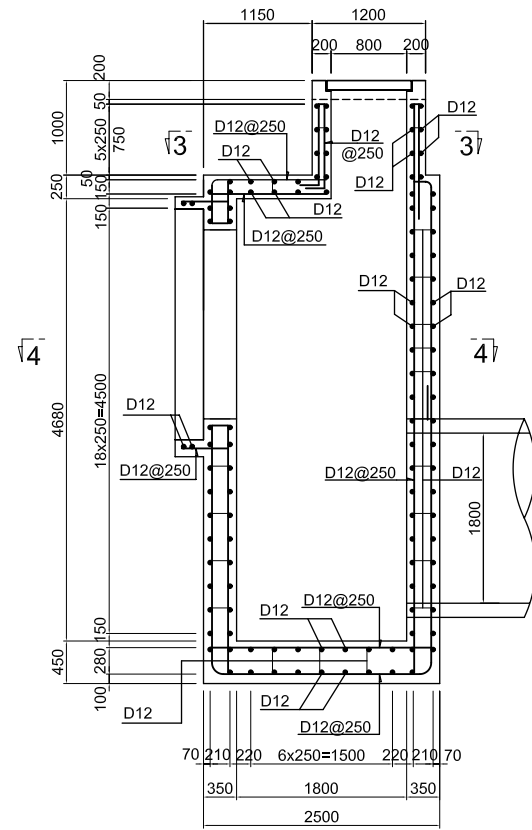
M 53 ; M 54 - LINE 5

M 15 - LINE 6

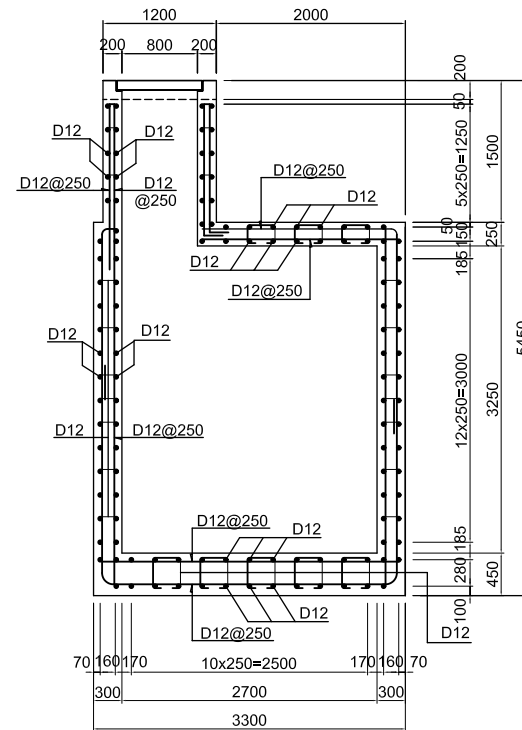
1-1



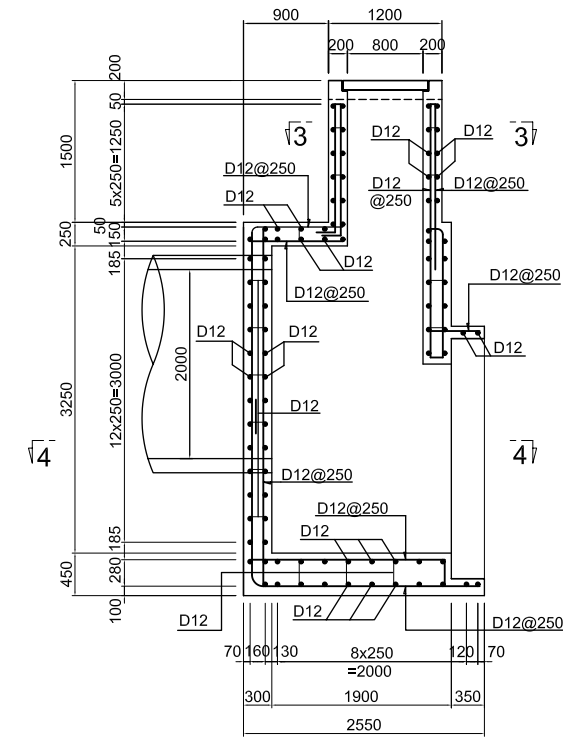
2-2



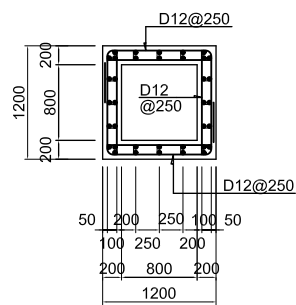
1-1



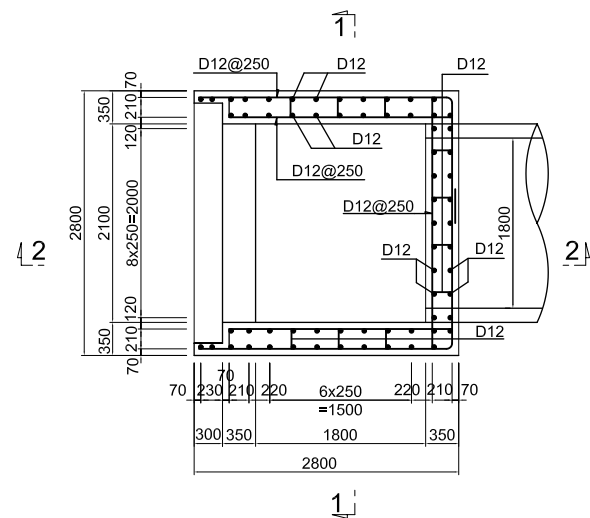
2-2



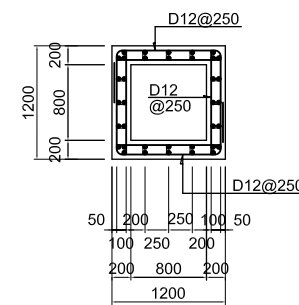
3-3



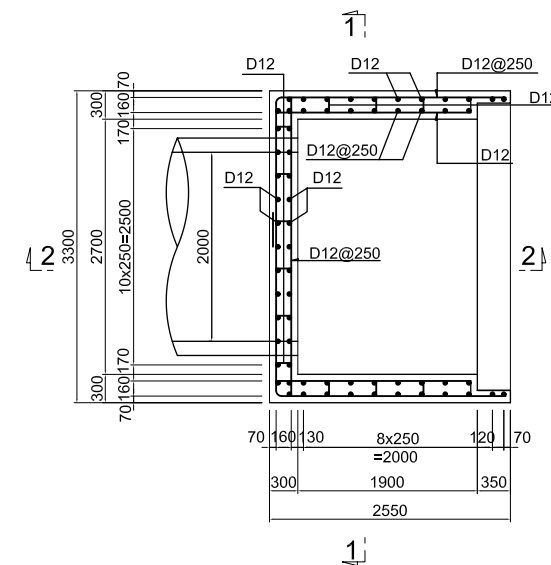
4-4



3-3



4-4



NO.	DATE	DESCRIPTIONS	BY	APRO.

REVISIONS

PROJECT MANAGEMENT UNIT FOR  
HO CHI MINH CITY  
WATER ENVIRONMENT IMPROVEMENT

THE DETAILED DESIGN STUDY ON HO CHI MINH CITY  
WATER ENVIRONMENT IMPROVEMENT PROJECT  
IN THE SOCIALIST REPUBLIC OF VIET NAM

PACKAGE D  
EXITING COMBINED SEWER IMPROVEMENT  
  
BAR ARRANGEMENT OF SPECIAL  
MANHOLE FOR BOX CULVERT (4)

SCALE : 1/40

JICA JAPAN INTERNATIONAL COOPERATION  
AGENCY ( JICA )

PACIFIC CONSULTANTS INTERNATIONAL

DESIGNED  
KATSUKI TAKAAKI

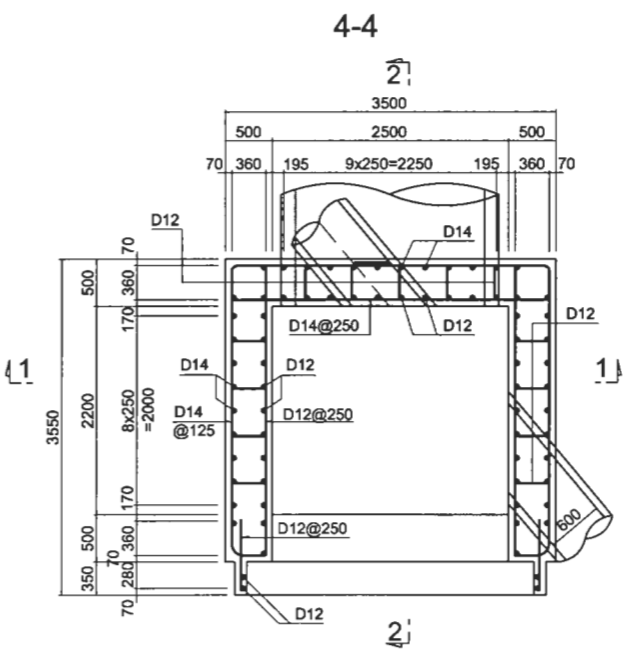
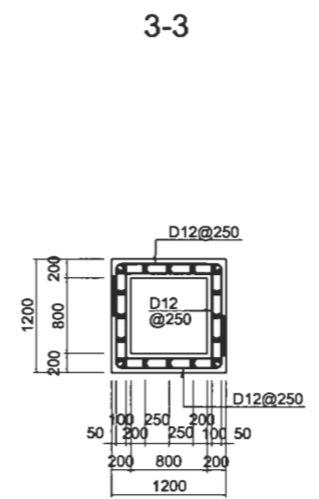
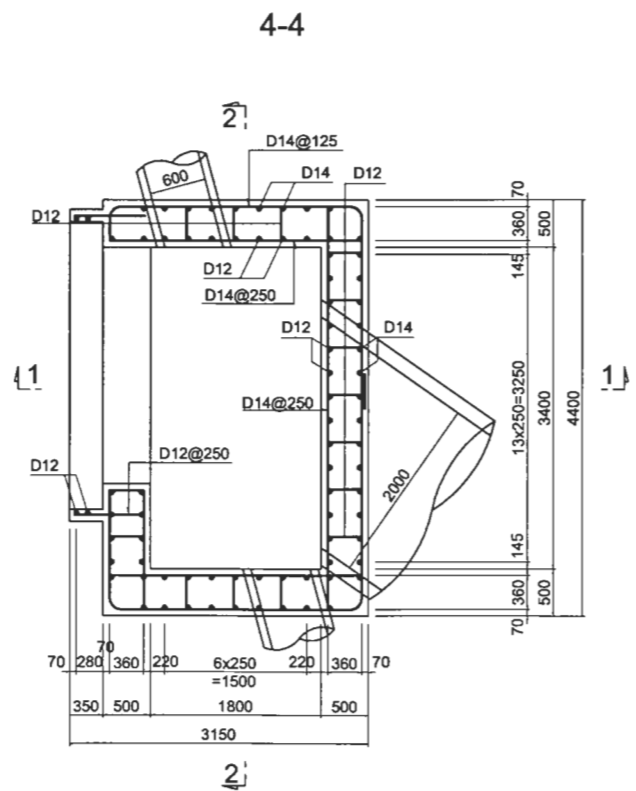
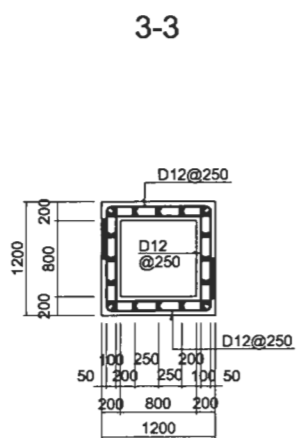
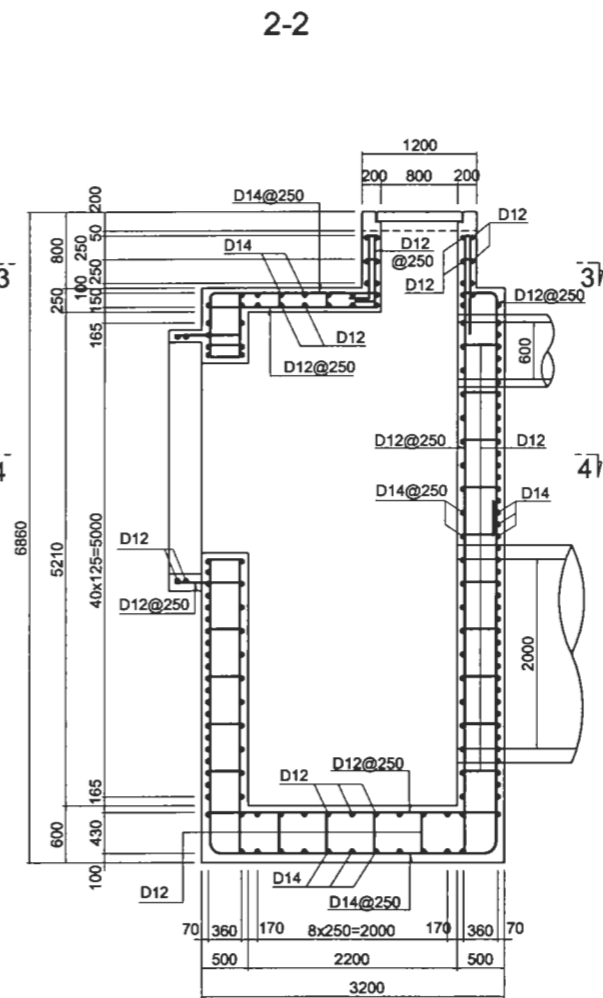
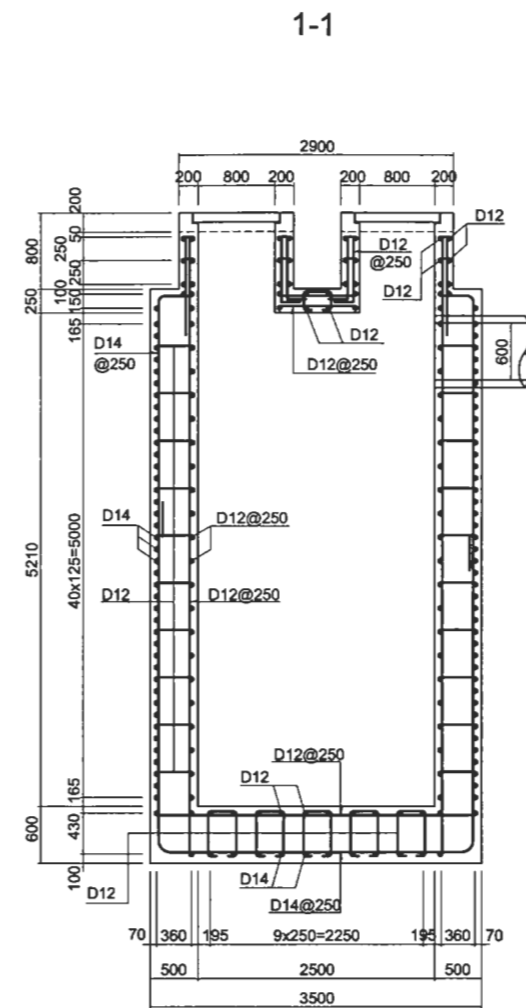
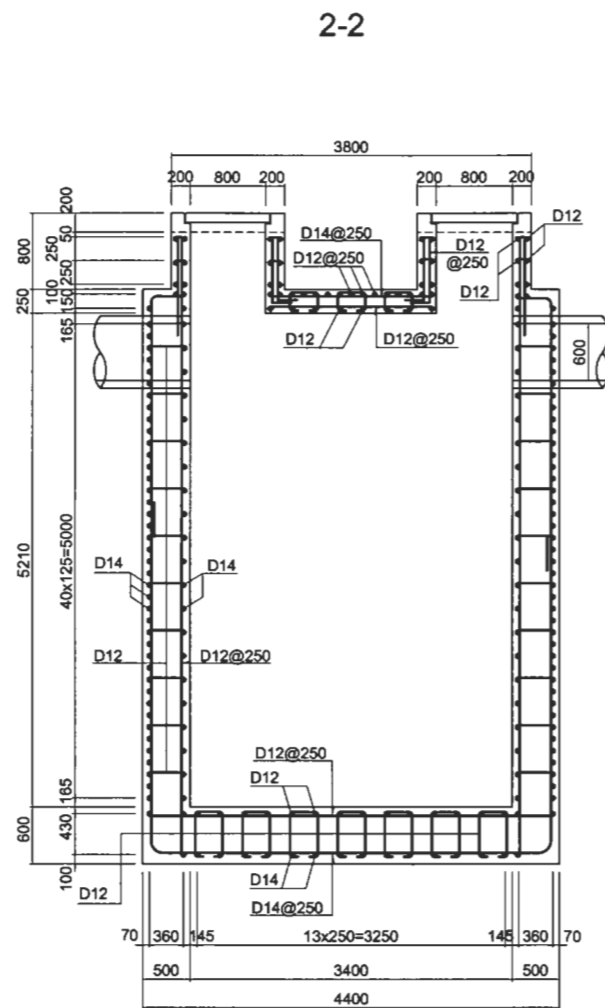
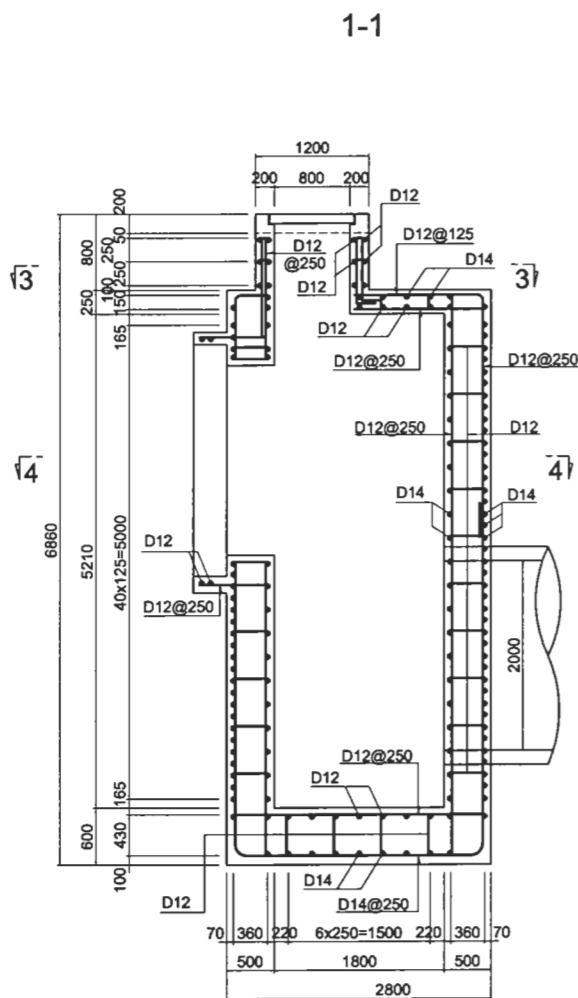
CHECKED  
KONDO MASAMI

DATE : JUNE 2001 DWG. No. PD - ECSI - 287



M 43 - LINE 6

M 44 - LINE 6



NO.	DATE	DESCRIPTIONS	BY	APPRO.
REVISIONS				
PROJECT MANAGEMENT UNIT FOR HO CHI MINH CITY WATER ENVIRONMENT IMPROVEMENT				
THE DETAILED DESIGN STUDY ON HO CHI MINH CITY WATER ENVIRONMENT IMPROVEMENT PROJECT IN THE SOCIALIST REPUBLIC OF VIET NAM				
PACKAGE D EXITING COMBINED SEWER IMPROVEMENT				
BAR ARRANGEMENT OF SPECIAL MANHOLE FOR BOX CULVERT (6)				
SCALE : 1/40				
JAPAN INTERNATIONAL COOPERATION AGENCY (JICA)				
PACIFIC CONSULTANTS INTERNATIONAL				
DESIGNED KATSUKI TAKAAKI		CHECKED KONDO MASAMI		
DATE : JUNE 2001		DWG. No. PD - ECSI - 291		

