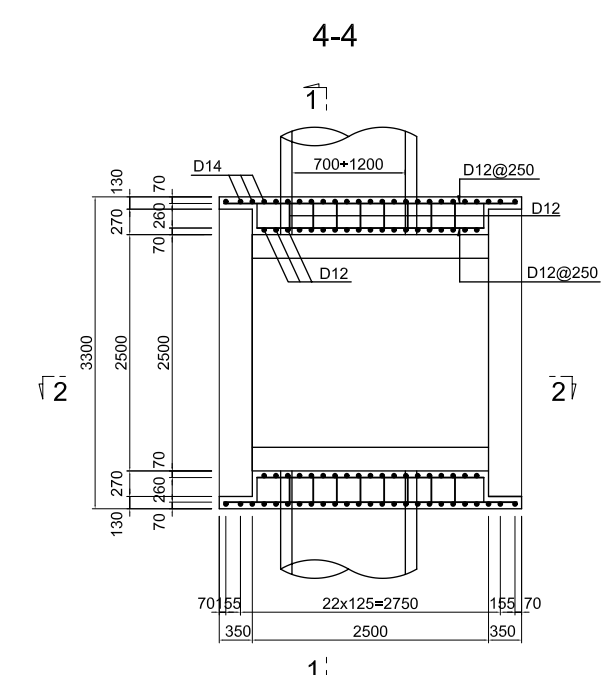
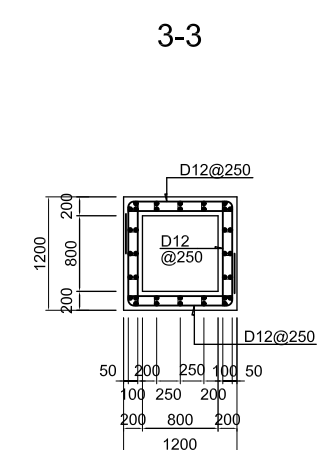
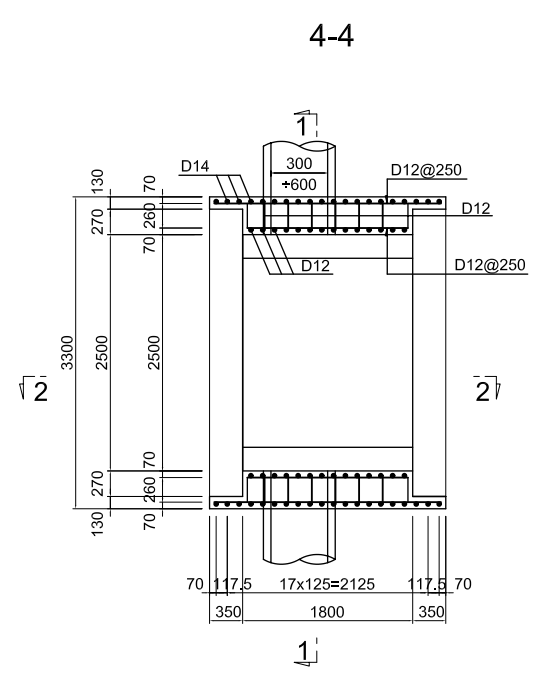
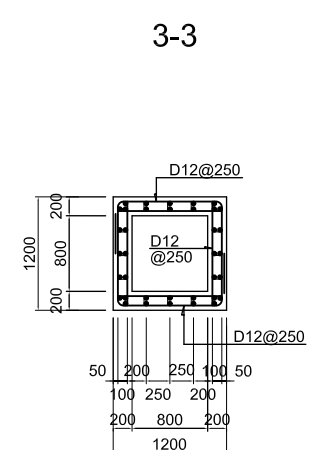
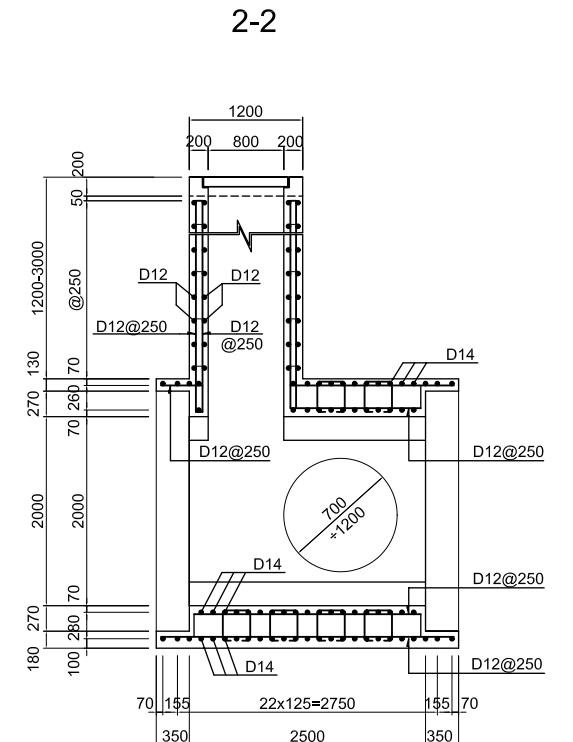
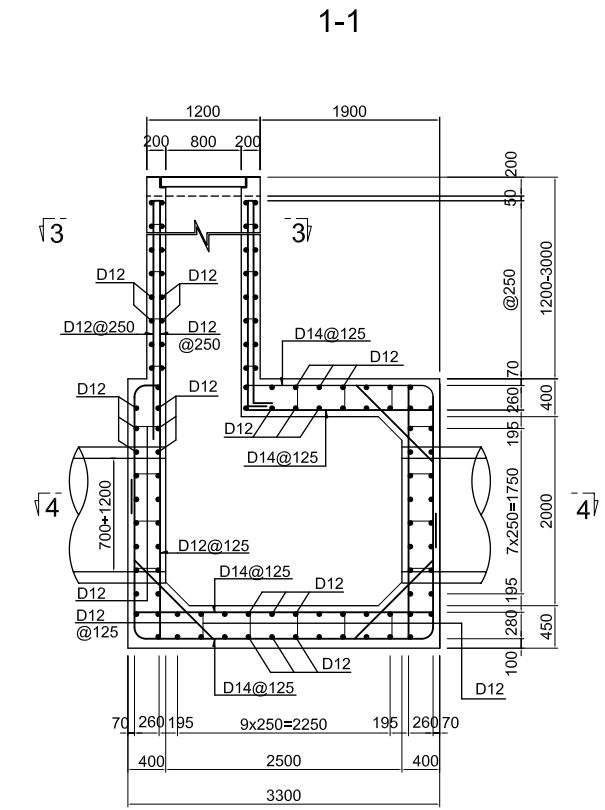
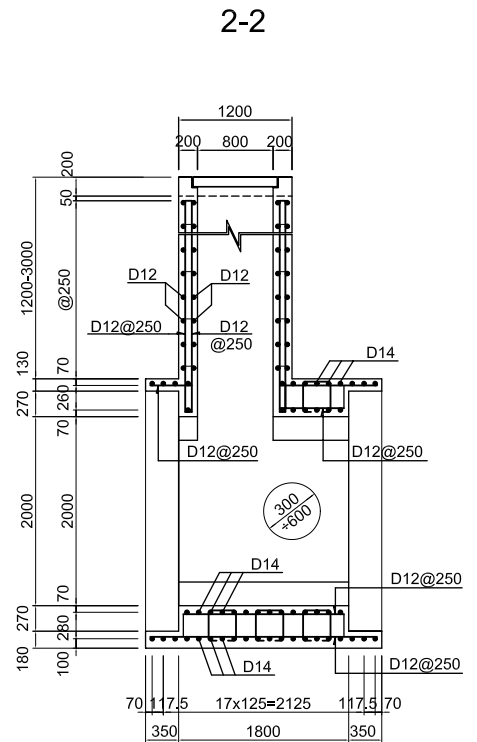
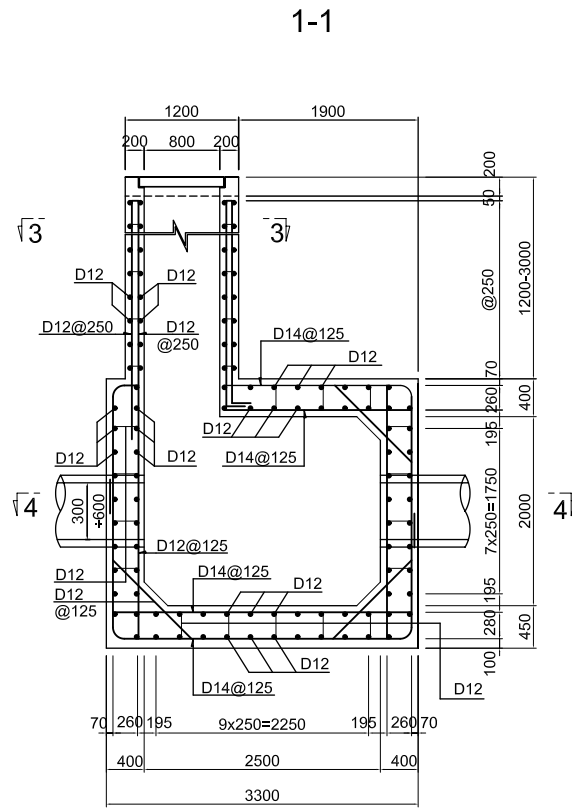


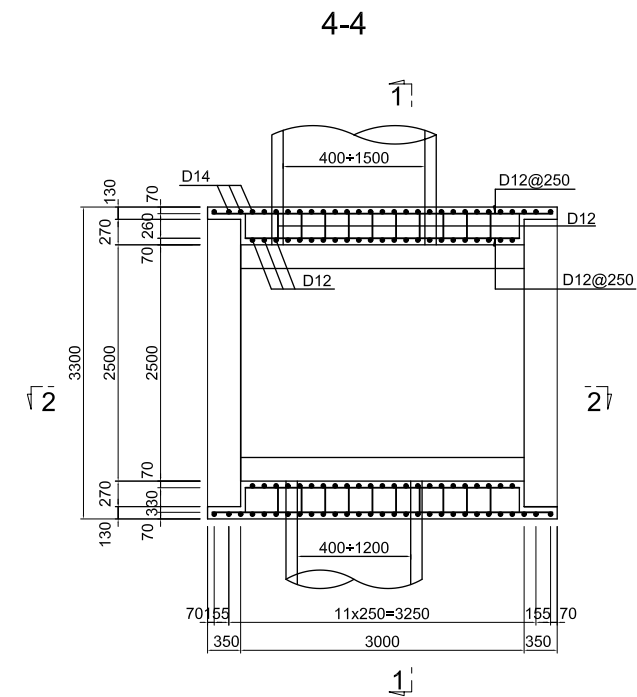
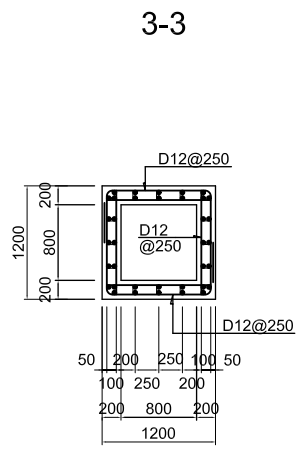
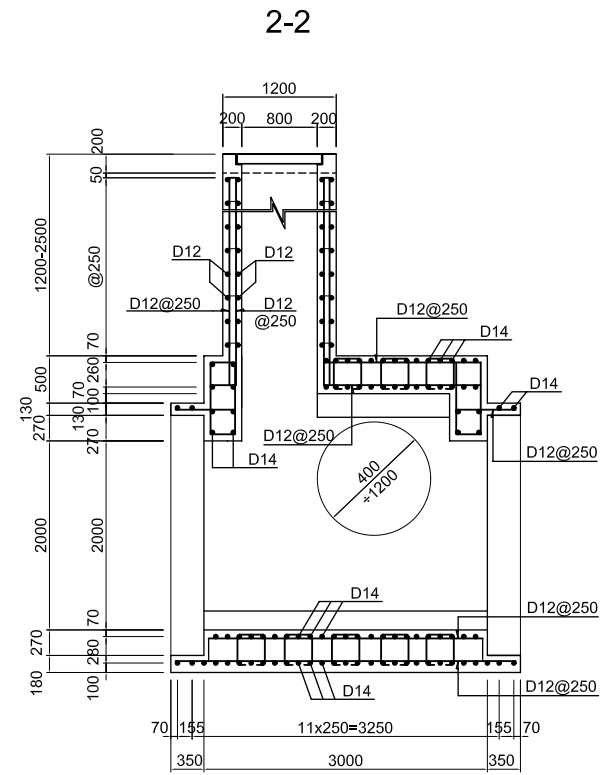
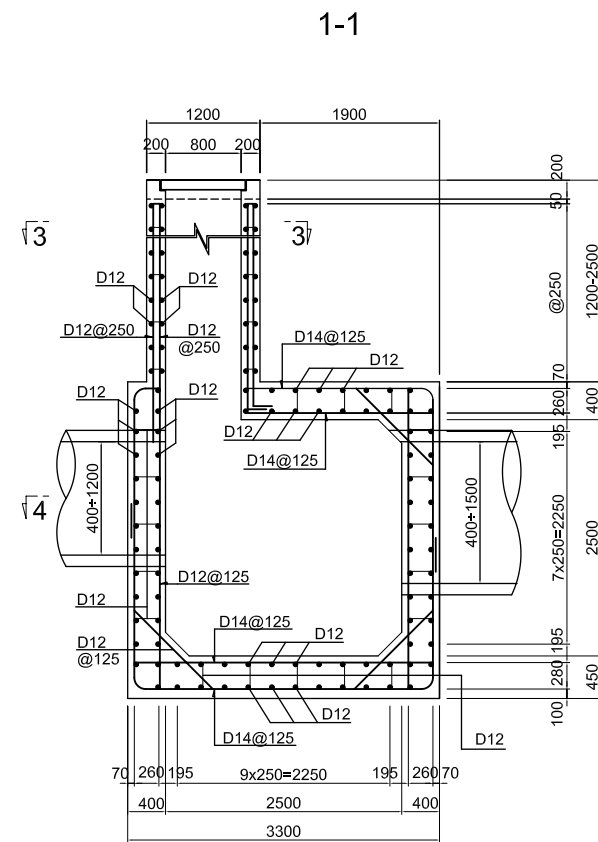
TYPE 2B-1 ; 2C-1



TYPE 2B-2 ; 2C-2



NO.	DATE	DESCRIPTIONS	BY	APRO.
REVISIONS				
PROJECT MANAGEMENT UNIT FOR HO CHI MINH CITY WATER ENVIRONMENT IMPROVEMENT				
THE DETAILED DESIGN STUDY ON HO CHI MINH CITY WATER ENVIRONMENT IMPROVEMENT PROJECT IN THE SOCIALIST REPUBLIC OF VIET NAM				
PACKAGE D EXITING COMBINED SEWER IMPROVEMENT				
BAR ARRANGEMENT OF MANHOLE FOR BOX CULVERT (5)				
SCALE : 1/40				
JAPAN INTERNATIONAL COOPERATION AGENCY (JICA)				
PACIFIC CONSULTANTS INTERNATIONAL				
DESIGNED KATSUKI TAKAAKI	CHECKED KONDO MASAMI			
DATE : JUNE 2001	DWG. No. PD - ECSI - 282			

TYPE 4B-1 ; 4B-2 ; 4C-1 ; 4C-2



NO.	DATE	DESCRIPTIONS	BY	APPRO.
REVISIONS				
PROJECT MANAGEMENT UNIT FOR HO CHI MINH CITY WATER ENVIRONMENT IMPROVEMENT				
THE DETAILED DESIGN STUDY ON HO CHI MINH CITY WATER ENVIRONMENT IMPROVEMENT PROJECT IN THE SOCIALIST REPUBLIC OF VIET NAM				
PACKAGE D EXITING COMBINED SEWER IMPROVEMENT				
BAR ARRANGEMENT OF MANHOLE FOR BOX CULVERT (6)				
SCALE : 1/40				
 JAPAN INTERNATIONAL COOPERATION AGENCY (JICA)				
 PACIFIC CONSULTANTS INTERNATIONAL				
DESIGNED KATSUKI TAKAAKI		CHECKED KONDO MASAMI		
DATE : JUNE 2001		DWG. No. PD - ECSI - 283		

M 4 ; M 5 - LINE 2

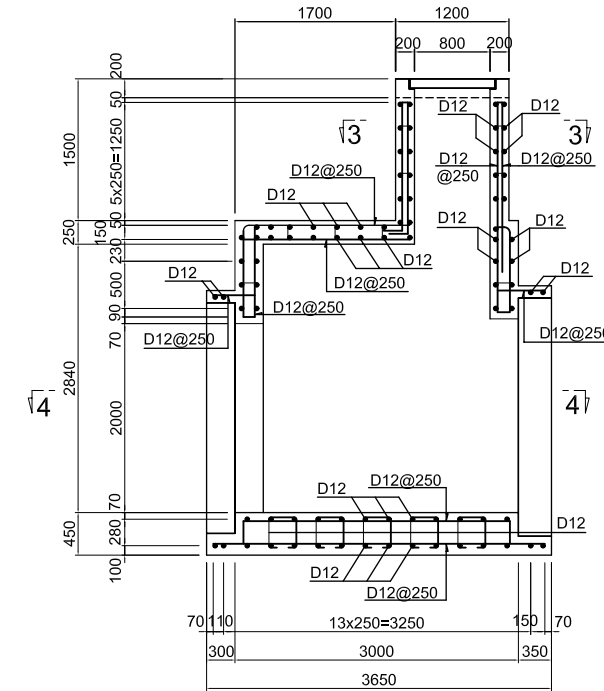
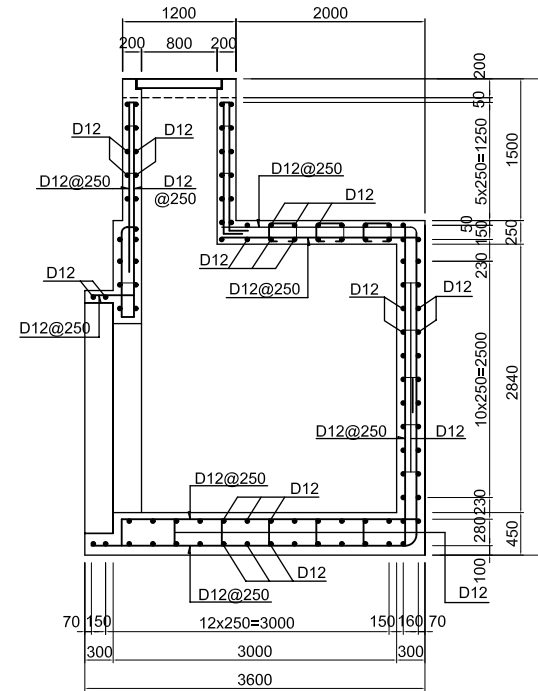
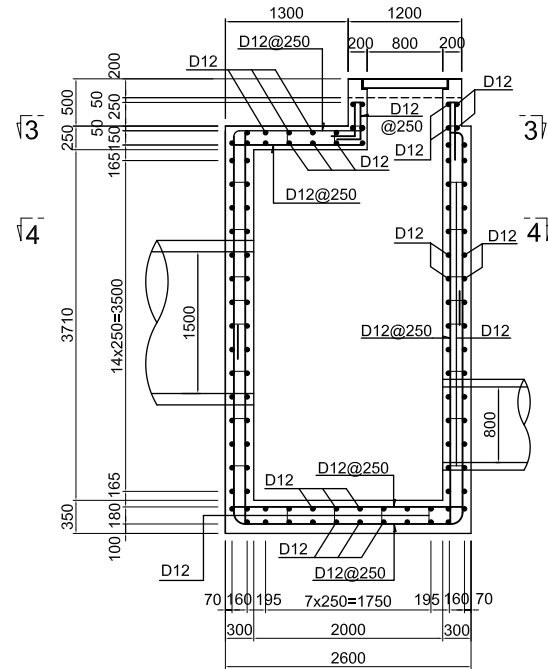
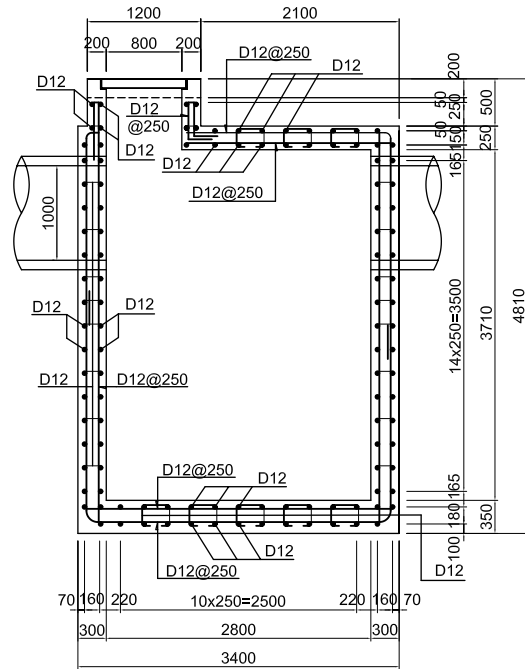
M 12 - LINE 3

1-1

2-2

1-1

2-2

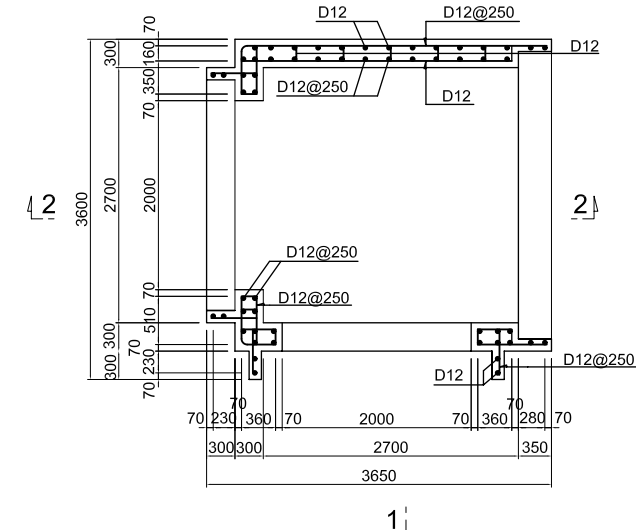
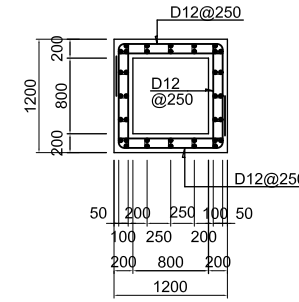
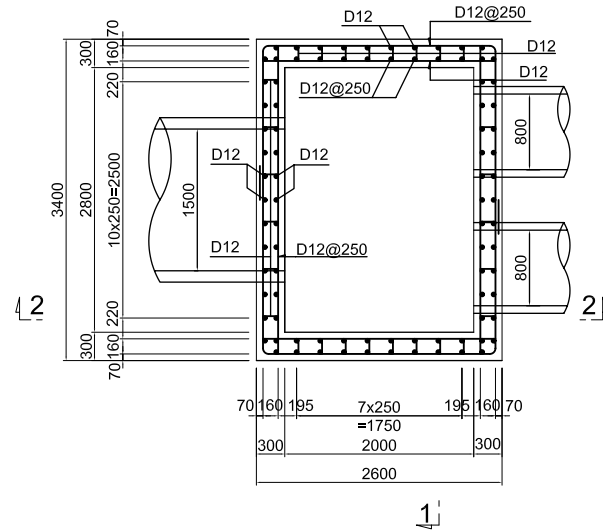
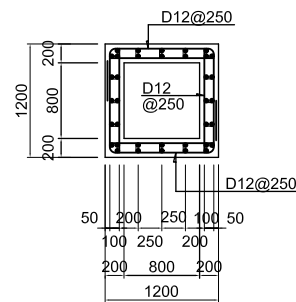


3-3

4-4

3-3

4-4



NO.	DATE	DESCRIPTIONS	BY	APRO.
REVISIONS				
PROJECT MANAGEMENT UNIT FOR HO CHI MINH CITY WATER ENVIRONMENT IMPROVEMENT				
THE DETAILED DESIGN STUDY ON HO CHI MINH CITY WATER ENVIRONMENT IMPROVEMENT PROJECT IN THE SOCIALIST REPUBLIC OF VIET NAM				
PACKAGE D EXITING COMBINED SEWER IMPROVEMENT				
BAR ARRANGEMENT OF SPECIAL MANHOLE FOR BOX CULVERT (1)				
SCALE : 1/40				
JAPAN INTERNATIONAL COOPERATION AGENCY (JICA)				
PACIFIC CONSULTANTS INTERNATIONAL				
DESIGNED KATSUKI TAKAAKI	CHECKED KONDO MASAMI			
DATE : JUNE 2001	DWG. No. PD - ECSI - 284			