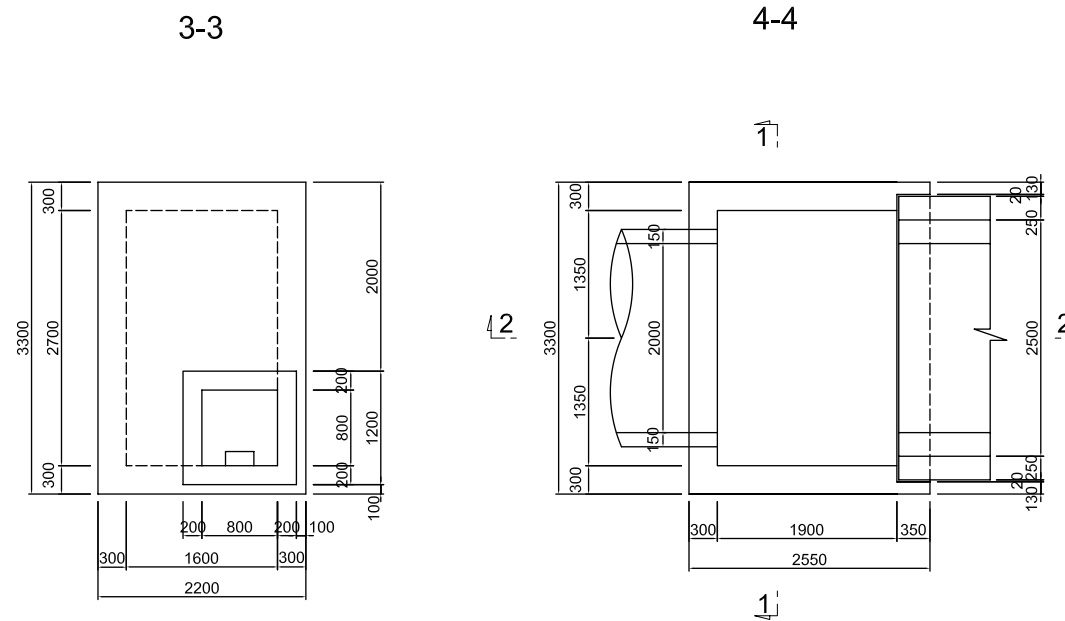
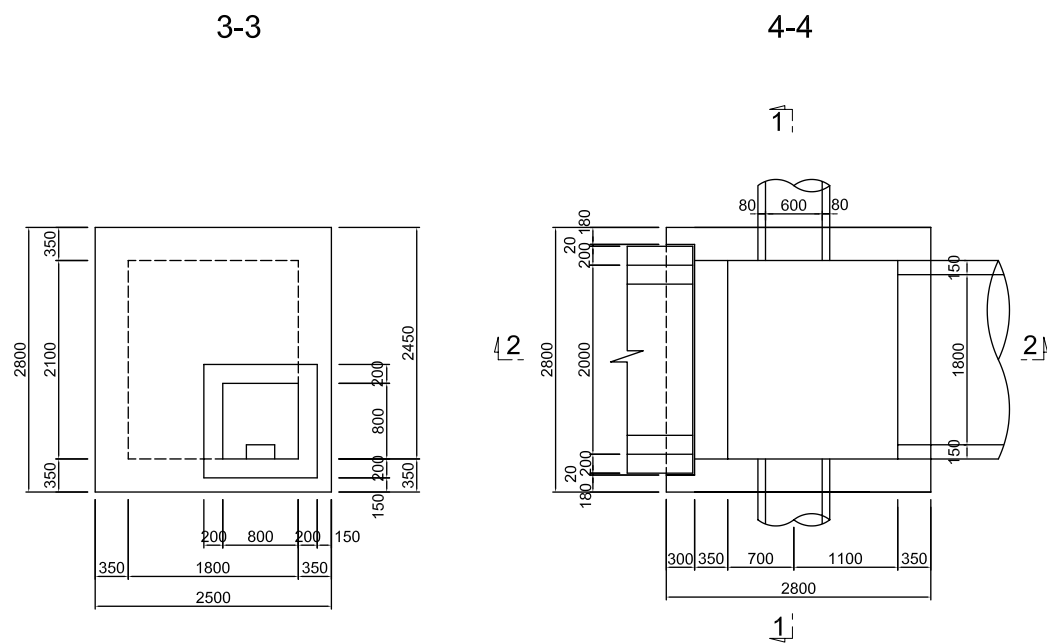
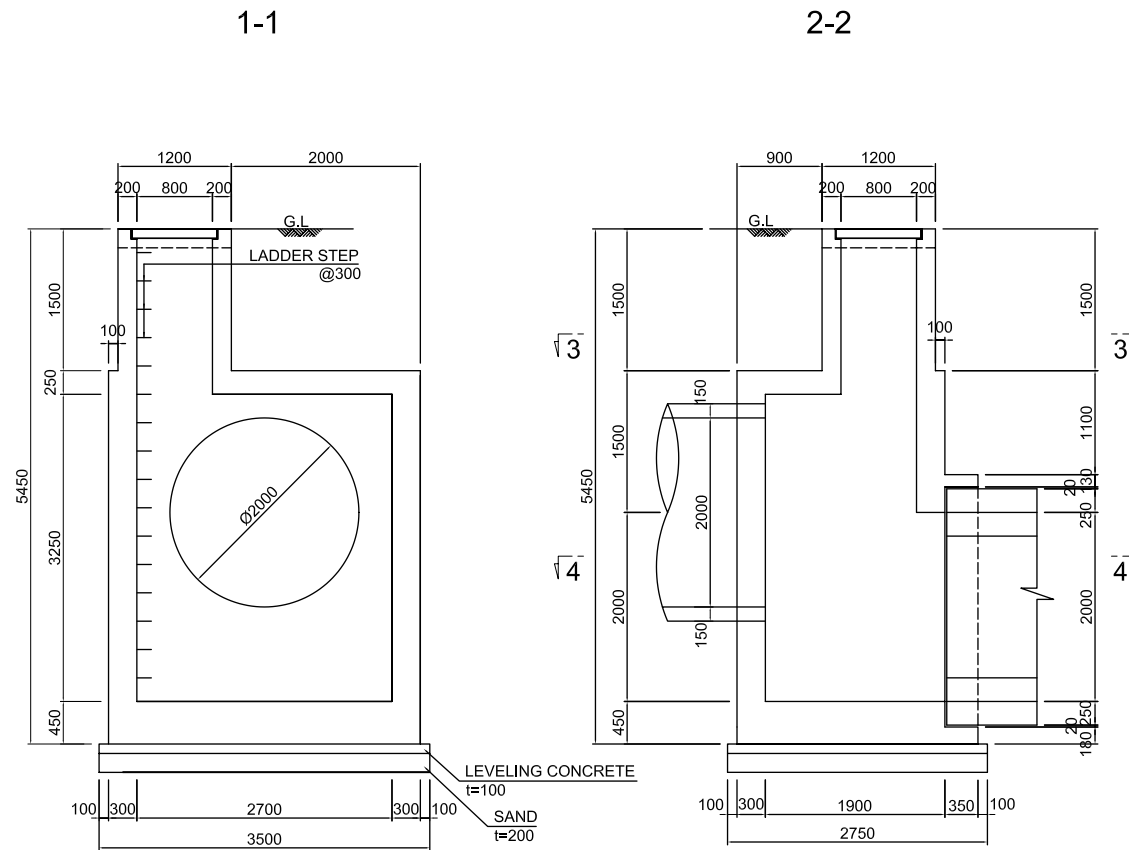
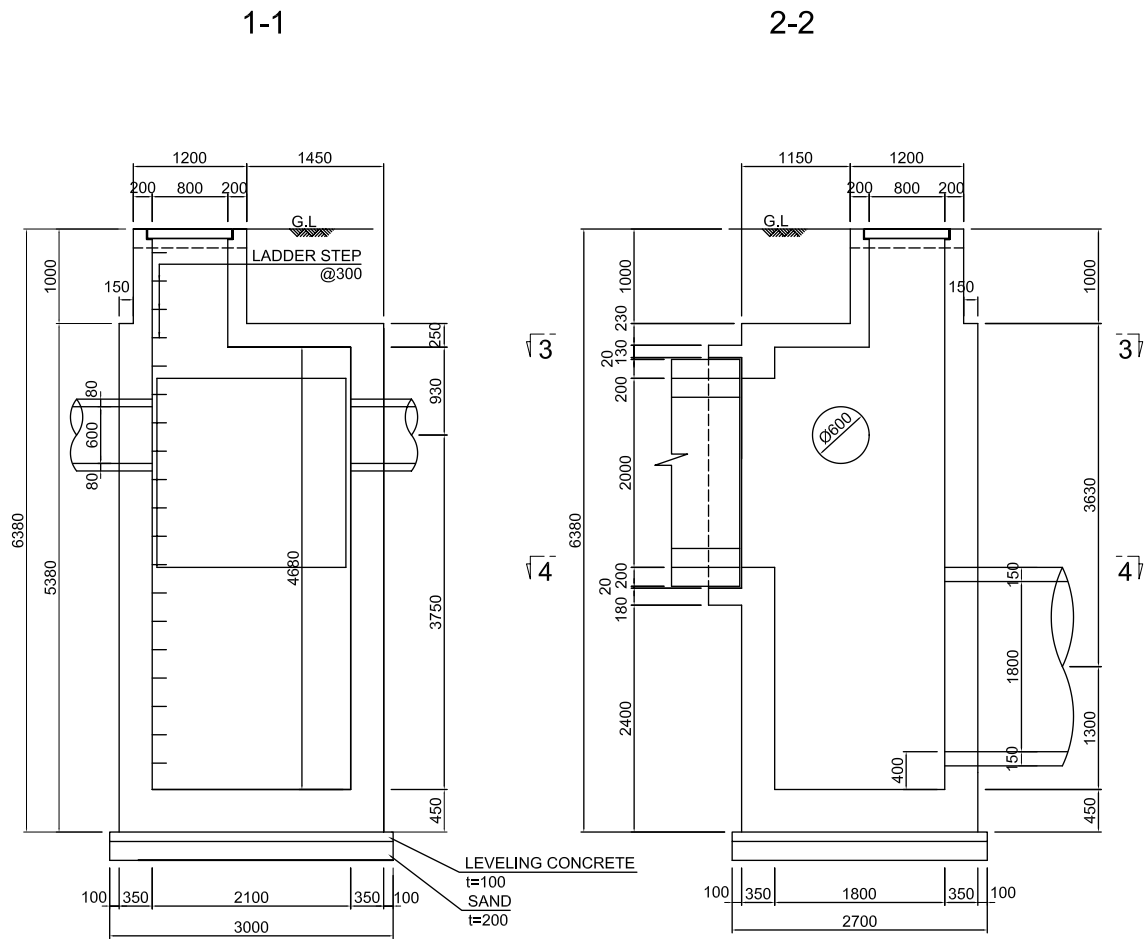


M 53 ; M 54 - LINE 5

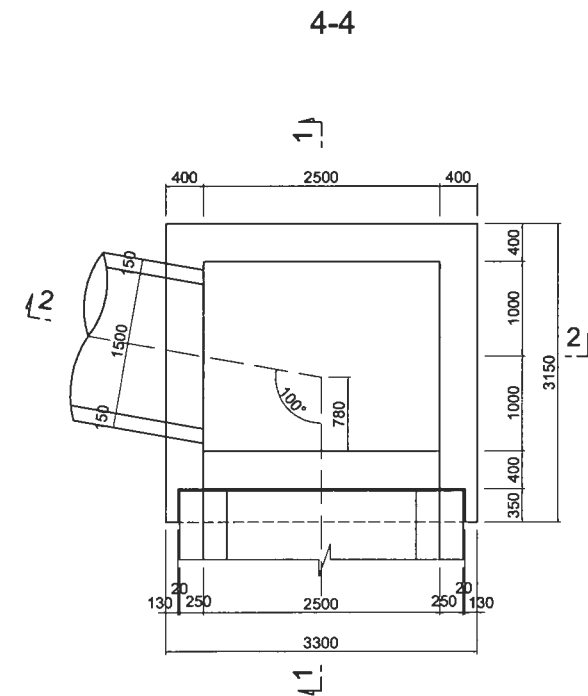
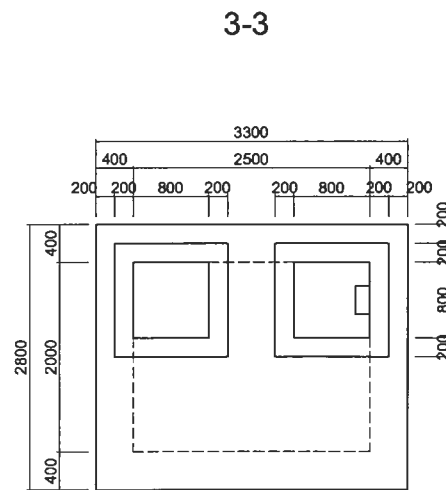
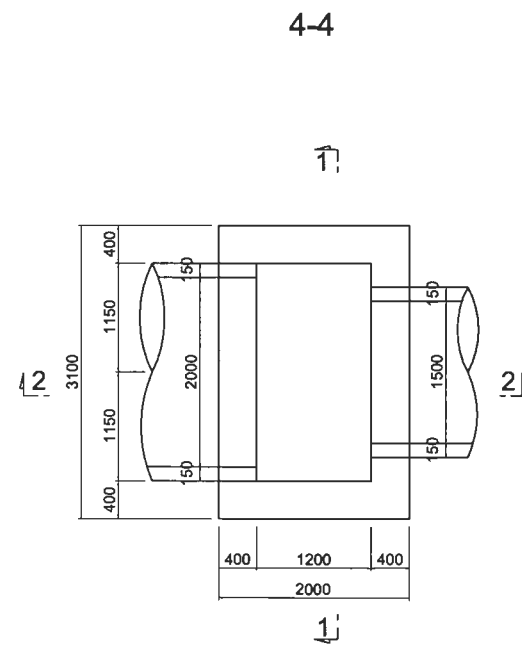
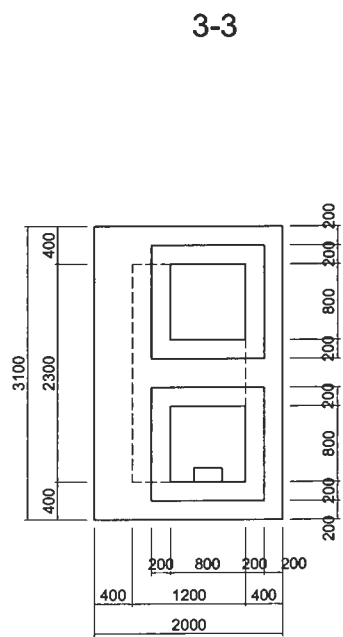
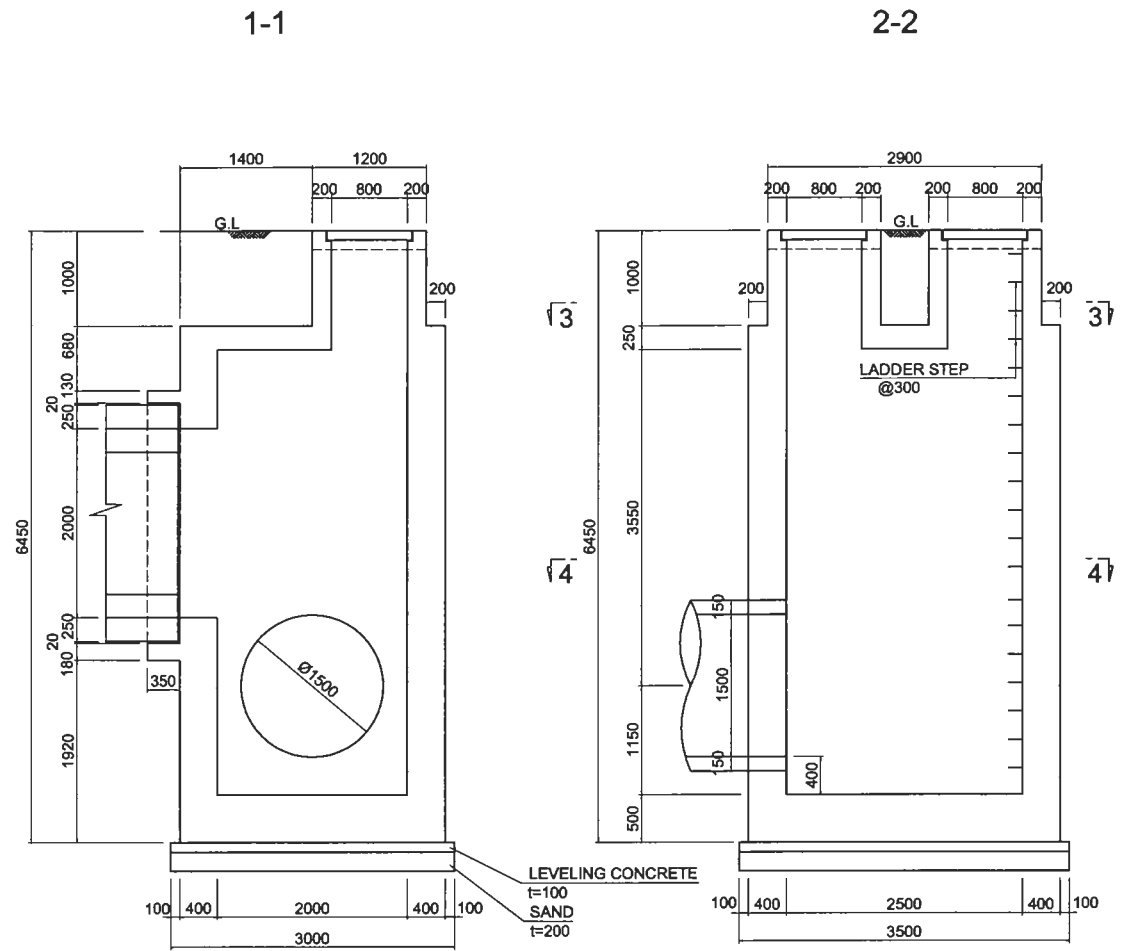
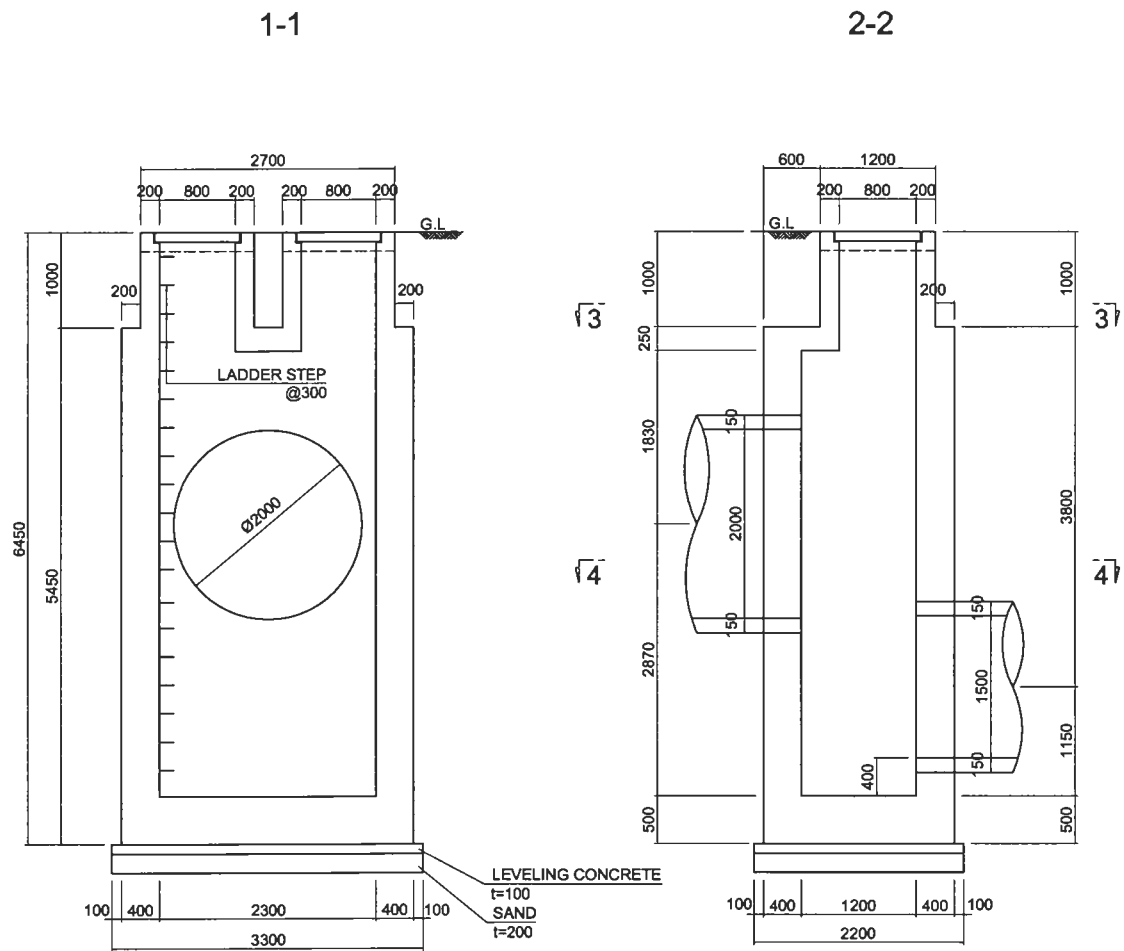
M 15 - LINE 6



NO.	DATE	DESCRIPTIONS	BY	APRO.
REVISIONS				
PROJECT MANAGEMENT UNIT FOR HO CHI MINH CITY WATER ENVIRONMENT IMPROVEMENT				
THE DETAILED DESIGN STUDY ON HO CHI MINH CITY WATER ENVIRONMENT IMPROVEMENT PROJECT IN THE SOCIALIST REPUBLIC OF VIET NAM				
PACKAGE D EXITING COMBINED SEWER IMPROVEMENT				
PLAN AND SECTION OF SPECIAL MANHOLE FOR BOX CULVERT (4)				
SCALE : 1/40				
JAPAN INTERNATIONAL COOPERATION AGENCY ( JICA )				
PACIFIC CONSULTANTS INTERNATIONAL				
DESIGNED KATSUKI TAKAAKI	CHECKED KONDO MASAMI			
DATE : JUNE 2001	DWG. No. PD - ECSI - 275			

M 16 - LINE 6

M 17 - LINE 6



NO.	DATE	DESCRIPTIONS	BY	APPRO.
-----	------	--------------	----	--------

REVISIONS

PROJECT MANAGEMENT UNIT FOR  
HO CHI MINH CITY  
WATER ENVIRONMENT IMPROVEMENT

THE DETAILED DESIGN STUDY ON HO CHI MINH CITY  
WATER ENVIRONMENT IMPROVEMENT PROJECT  
IN THE SOCIALIST REPUBLIC OF VIET NAM

PACKAGE D  
EXITING COMBINED SEWER IMPROVEMENT  
TYPICAL PLAN AND SECTION OF  
SPECIAL MANHOLE FOR  
BOX CULVERT (5)

SCALE : 1/40

JICA JAPAN INTERNATIONAL COOPERATION  
AGENCY (JICA)

PACIFIC CONSULTANTS INTERNATIONAL

DESIGNED KATSUKI TAKAAKI	CHECKED KONDO MASAMI
-----------------------------	-------------------------

DATE : JUNE 2001 DWG. No. PD - ECSI - 276

M 43 - LINE 6

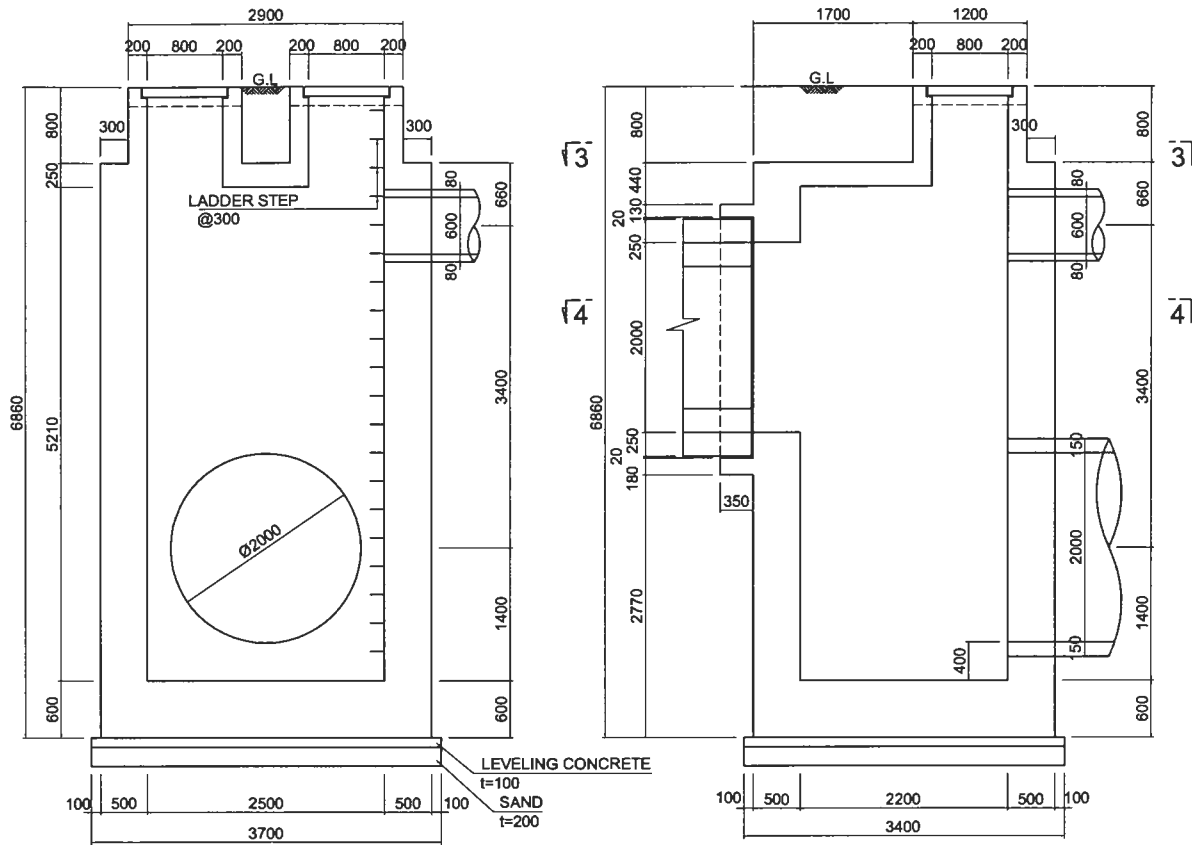
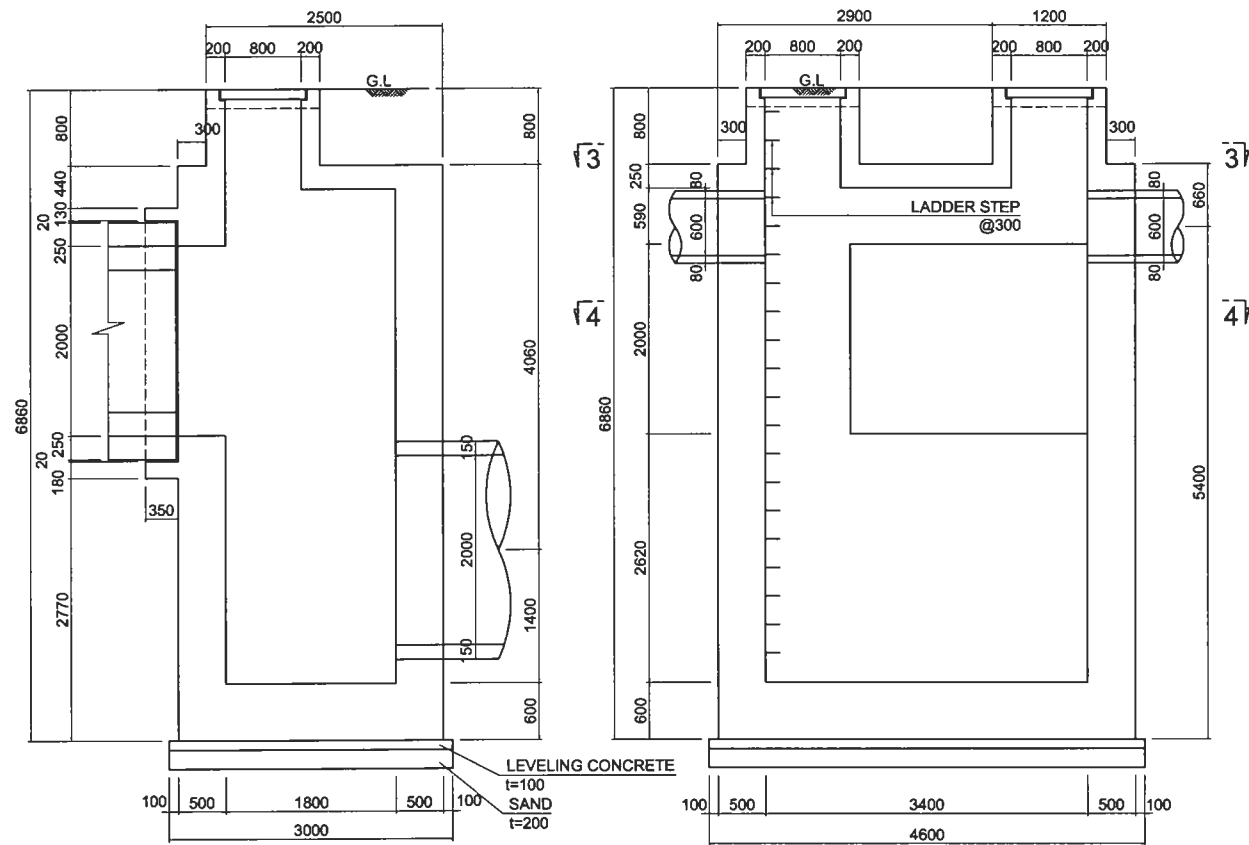
M 44 - LINE 6

1-1

2-2

1-1

2-2

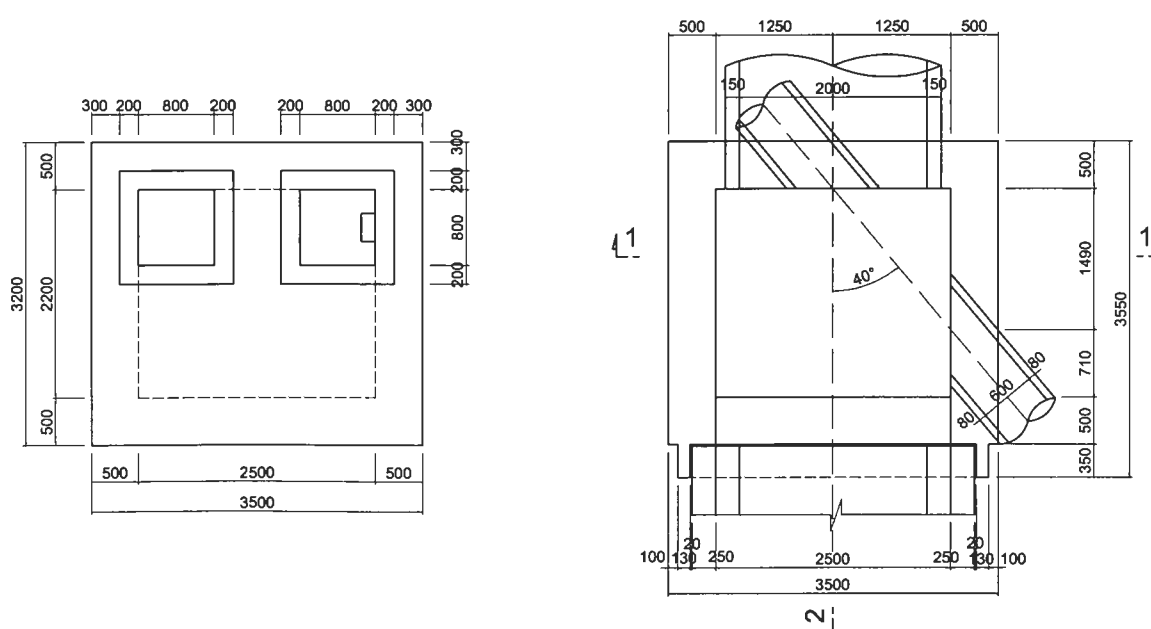
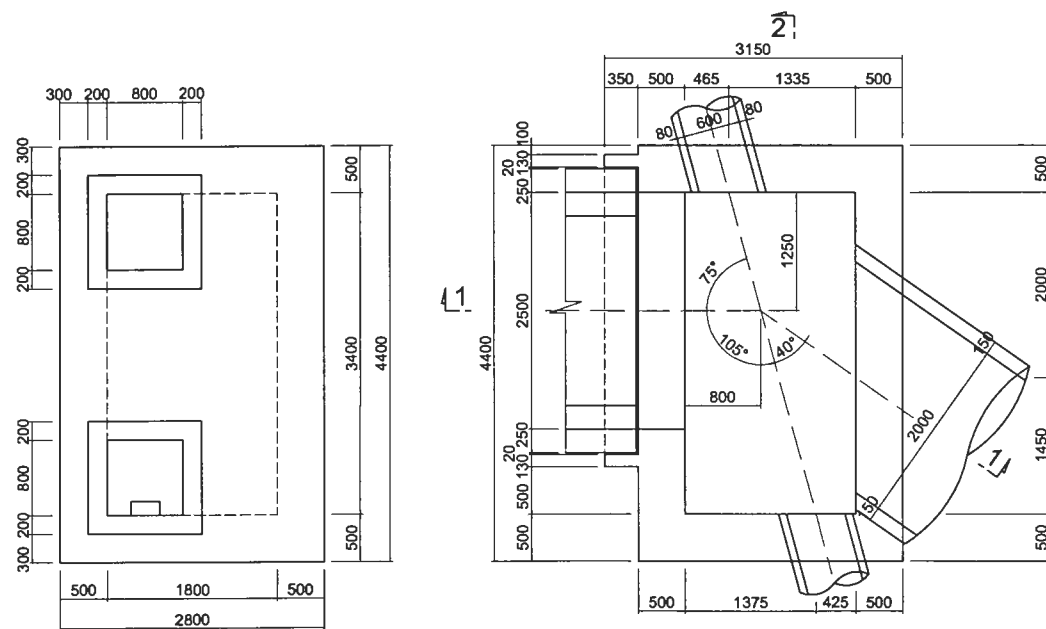


3-3

4-4

3-3

4-4



NO.	DATE	DESCRIPTIONS	BY	APRO.

REVISIONS

PROJECT MANAGEMENT UNIT FOR  
HO CHI MINH CITY  
WATER ENVIRONMENT IMPROVEMENT

THE DETAILED DESIGN STUDY ON HO CHI MINH CITY  
WATER ENVIRONMENT IMPROVEMENT PROJECT  
IN THE SOCIALIST REPUBLIC OF VIET NAM

PACKAGE D  
EXITING COMBINED SEWER IMPROVEMENT  
TYPICAL PLAN AND SECTION OF  
SPECIAL MANHOLE FOR  
BOX CULVERT (6)

SCALE : 1/40

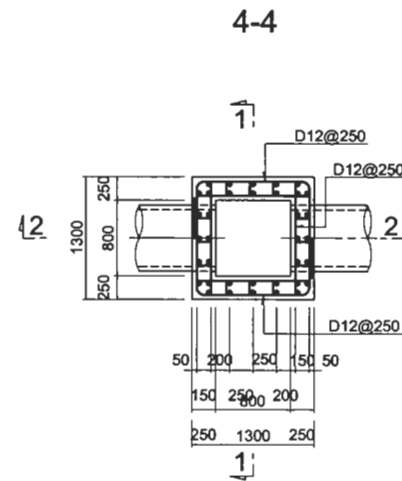
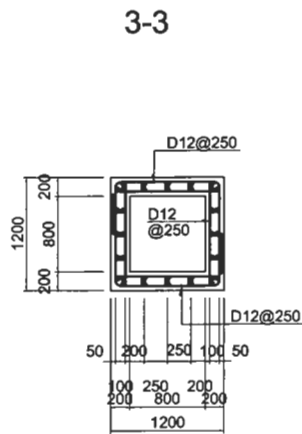
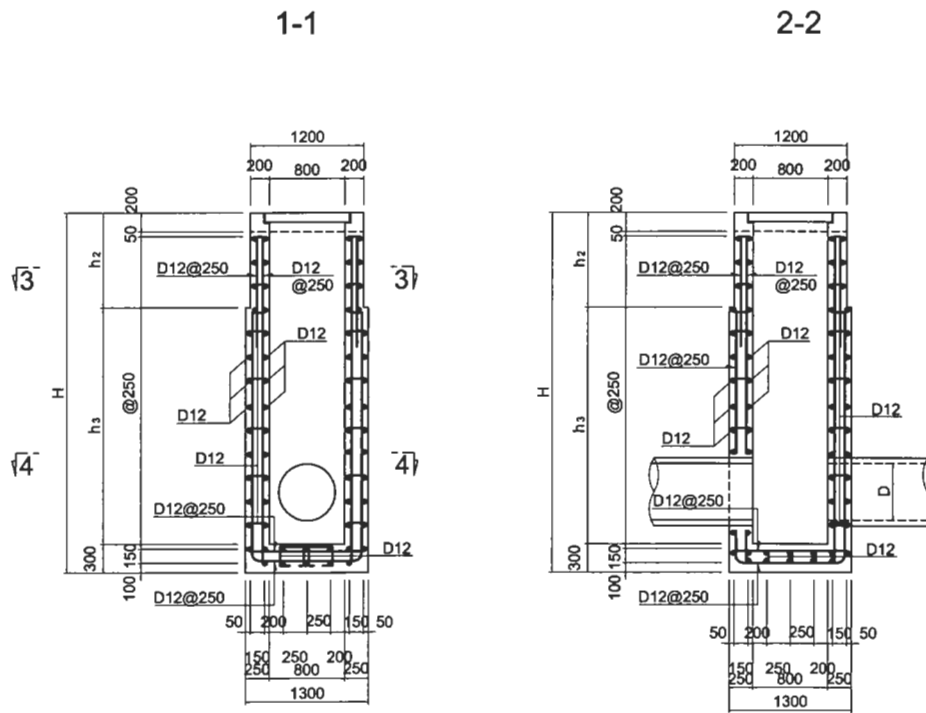
JICA JAPAN INTERNATIONAL COOPERATION  
AGENCY (JICA)

PACIFIC CONSULTANTS INTERNATIONAL

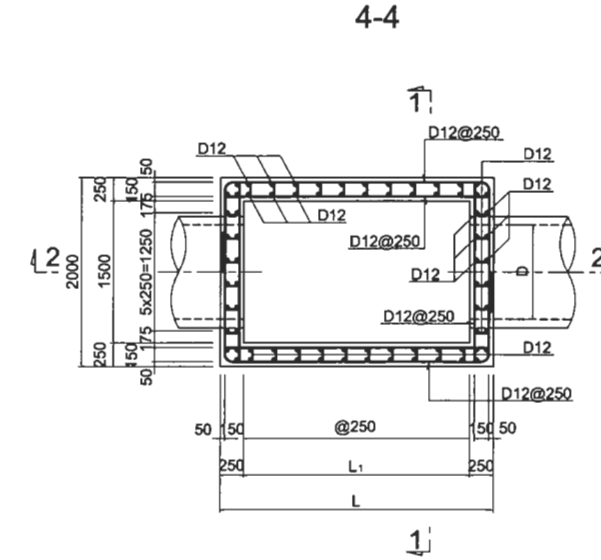
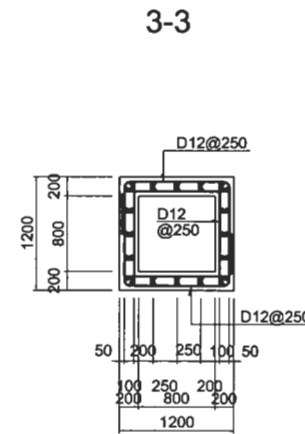
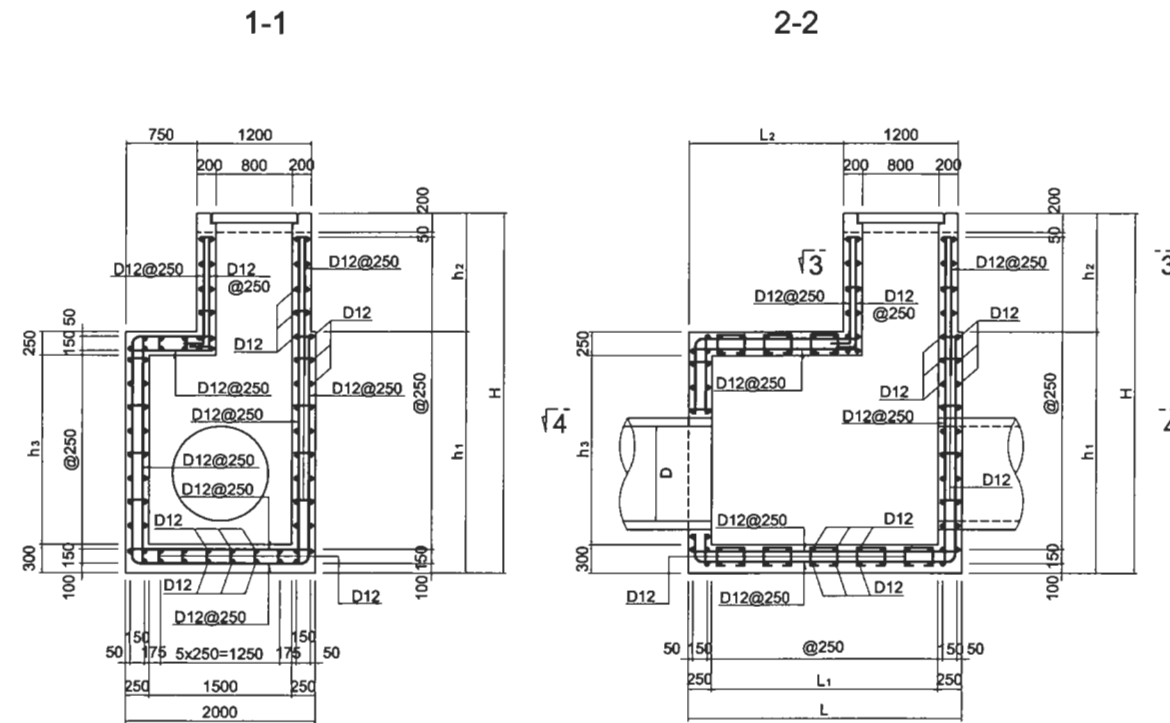
DESIGNED KATSUKI TAKAAKI	CHECKED KONDO MASAMI
-----------------------------	-------------------------

DATE: JUNE 2001 DWG. No. PD - ECSI - 277

TYPE 1



TYPE 2



NO.	DATE	DESCRIPTIONS	BY	APPRO.
-----	------	--------------	----	--------

REVISIONS

PROJECT MANAGEMENT UNIT FOR  
HO CHI MINH CITY  
WATER ENVIRONMENT IMPROVEMENT

THE DETAILED DESIGN ON HO CHI MINH CITY  
WATER ENVIRONMENT IMPROVEMENT PROJECT  
IN THE SOCIALIST REPUBLIC OF VIET NAM

PACKAGE D  
EXISTING COMBINED SEWER IMPROVEMENT

TYPICAL BAR ARRANGEMENT  
OF MANHOLE (1)

SCALE : 1/40

JICA JAPAN INTERNATIONAL COOPERATION  
AGENCY ( JICA )

PACIFIC CONSULTANTS INTERNATIONAL

DESIGNED KATSUKI TAKAOKI	CHECKED KONDO MASAMI
-----------------------------	-------------------------

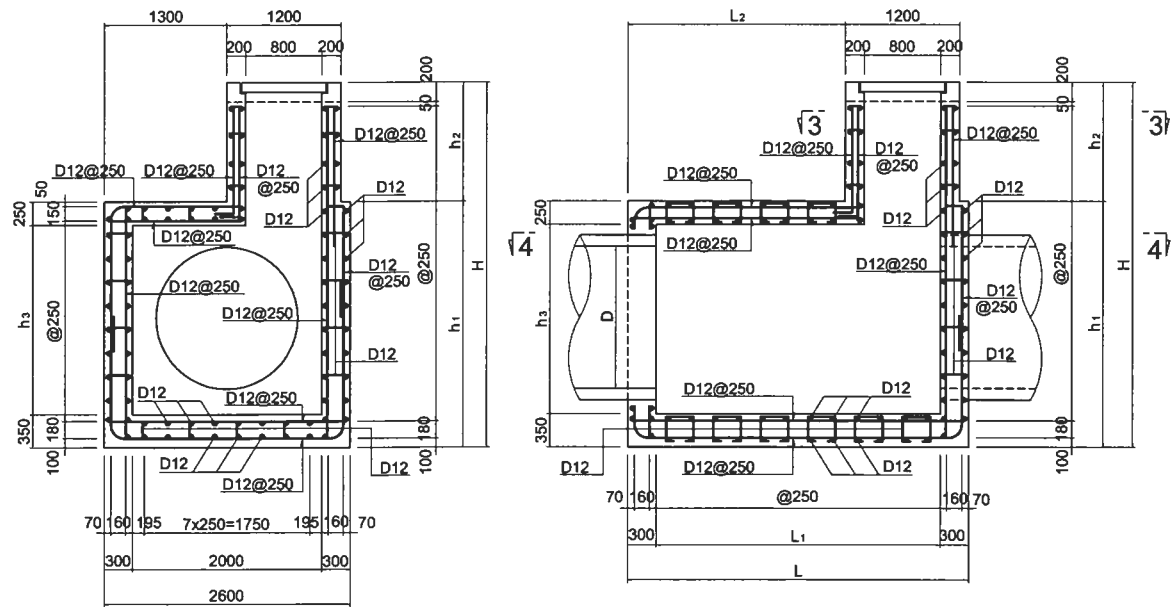
DATE : JUNE 2001 DWG. No. PD - ECSI - 278

TYPE 3

TYPE 4

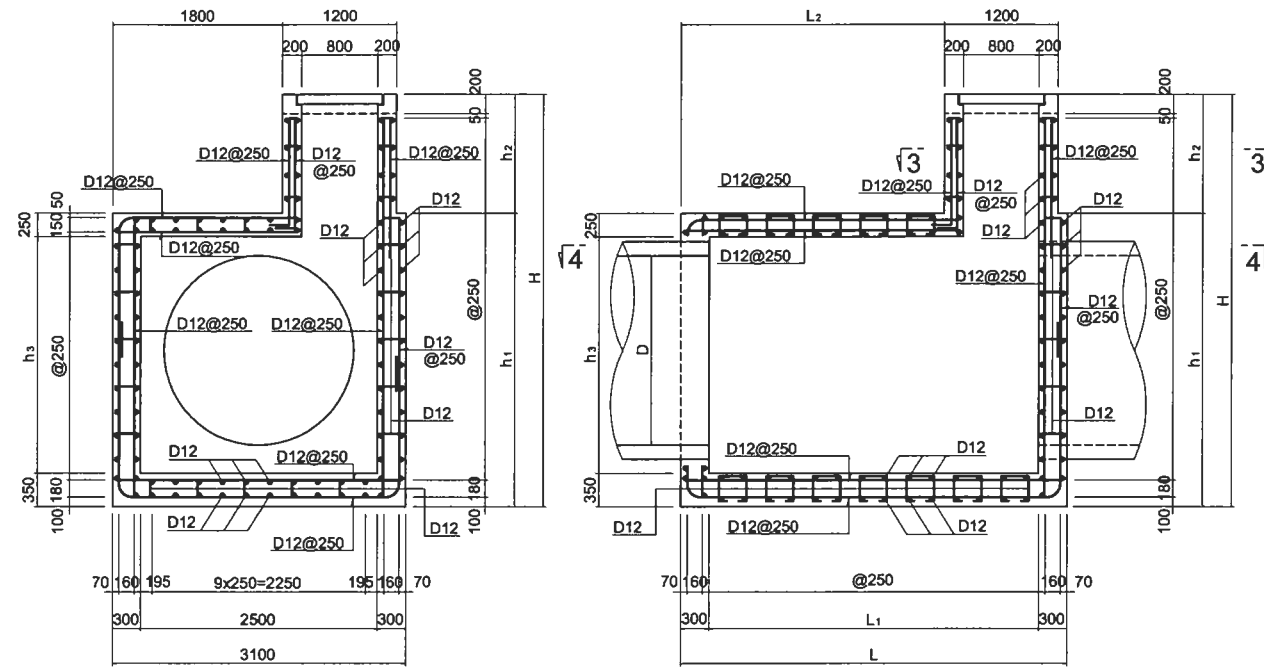
1-1

2-2



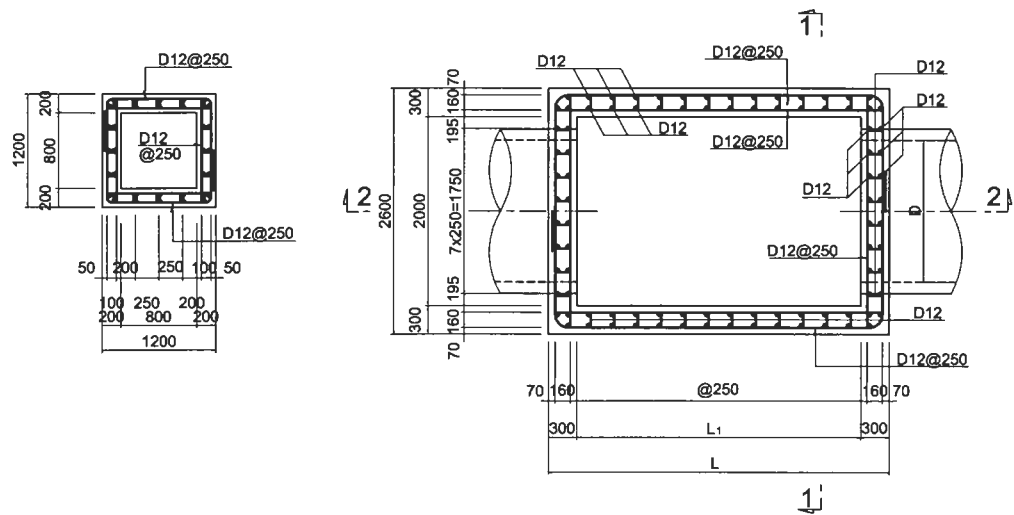
1-1

2-2



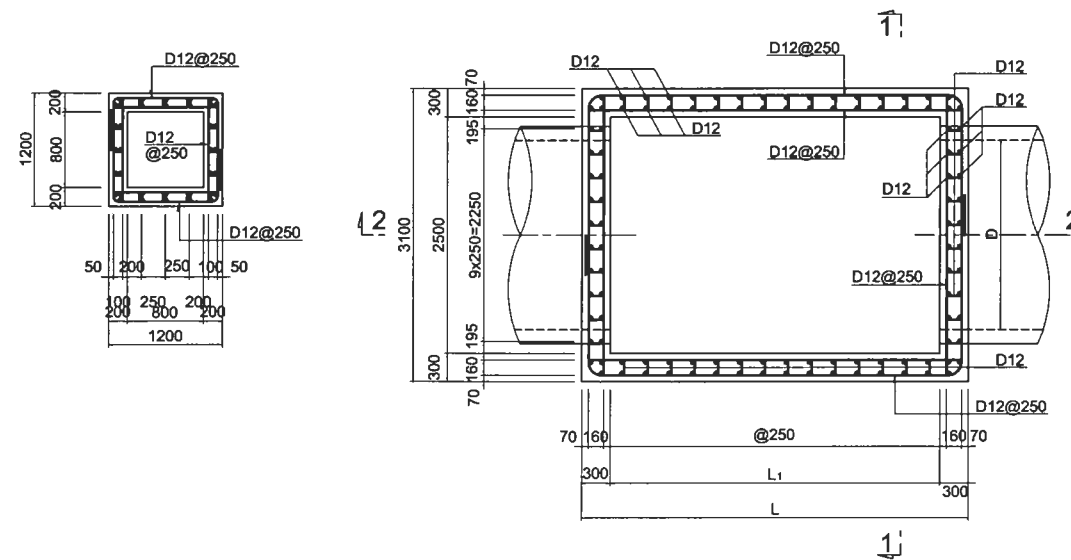
3-3

4-4



3-3

4-4



NO.	DATE	DESCRIPTIONS	BY	APPRO.
-----	------	--------------	----	--------

REVISIONS

PROJECT MANAGEMENT UNIT FOR  
HO CHI MINH CITY  
WATER ENVIRONMENT IMPROVEMENT

THE DETAILED DESIGN ON HO CHI MINH CITY  
WATER ENVIRONMENT IMPROVEMENT PROJECT  
IN THE SOCIALIST REPUBLIC OF VIET NAM

PACKAGE D  
EXISTING COMBINED SEWER IMPROVEMENT

TYPICAL BAR ARRANGEMENT  
OF MANHOLE (2)

SCALE : 1/40

JICA JAPAN INTERNATIONAL COOPERATION  
AGENCY (JICA)

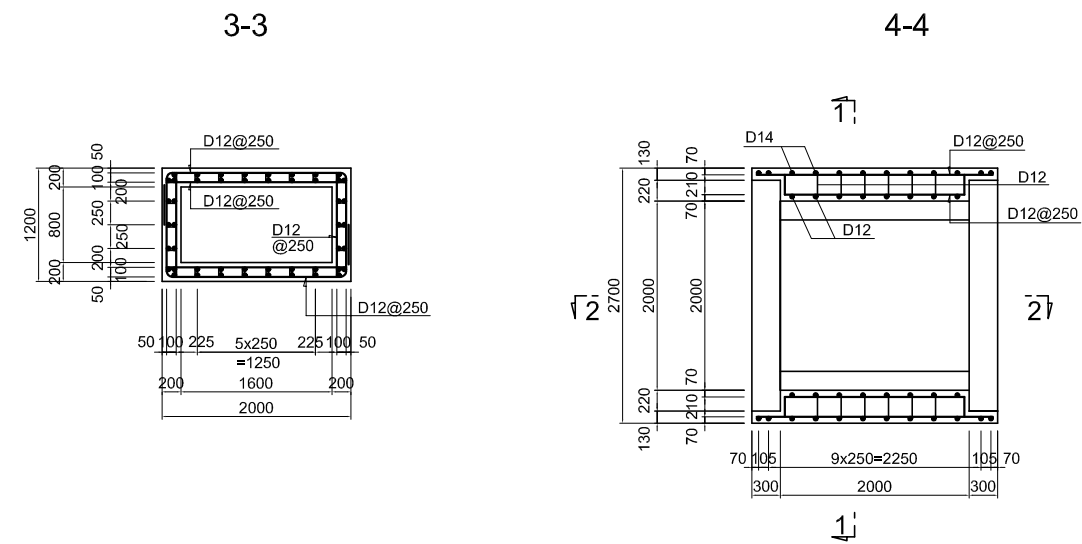
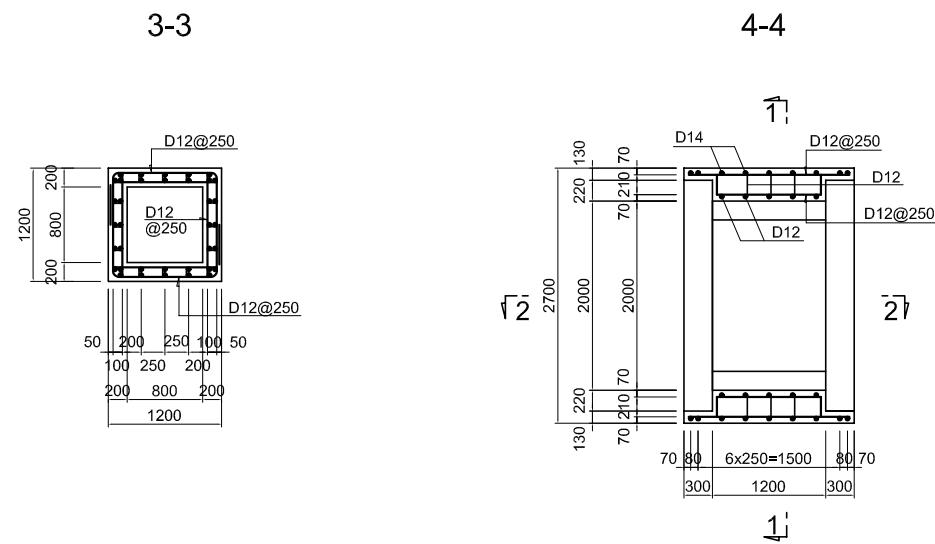
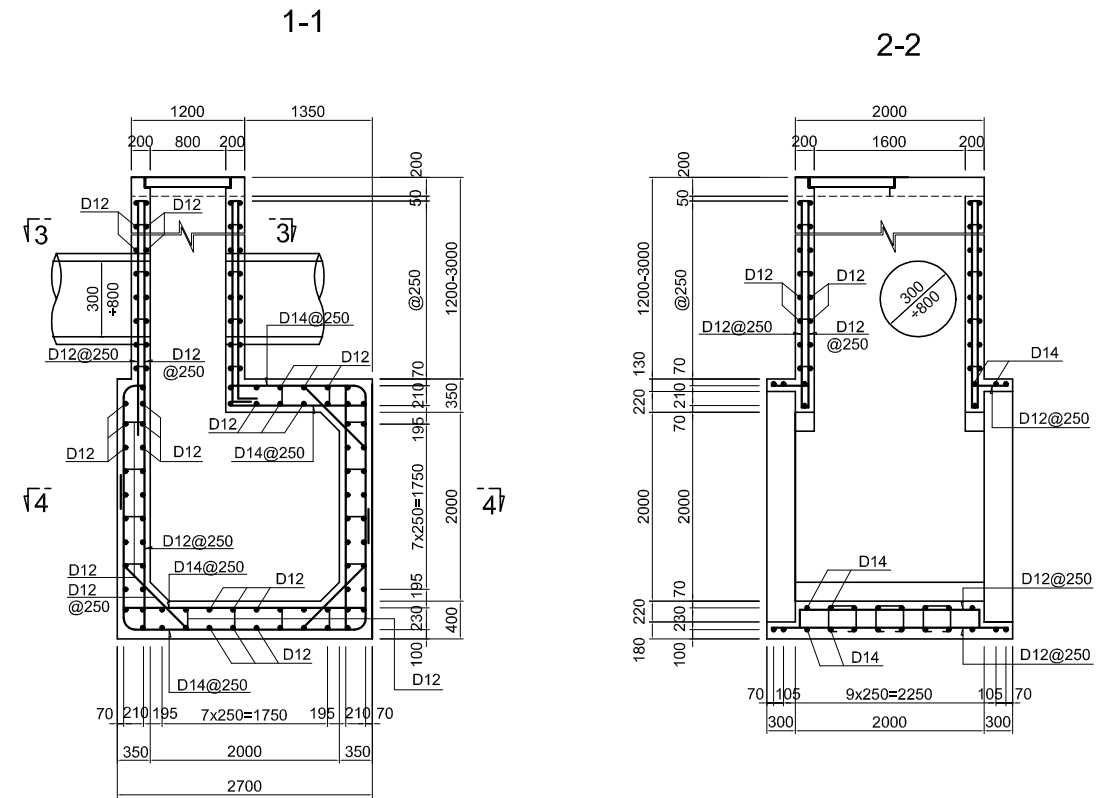
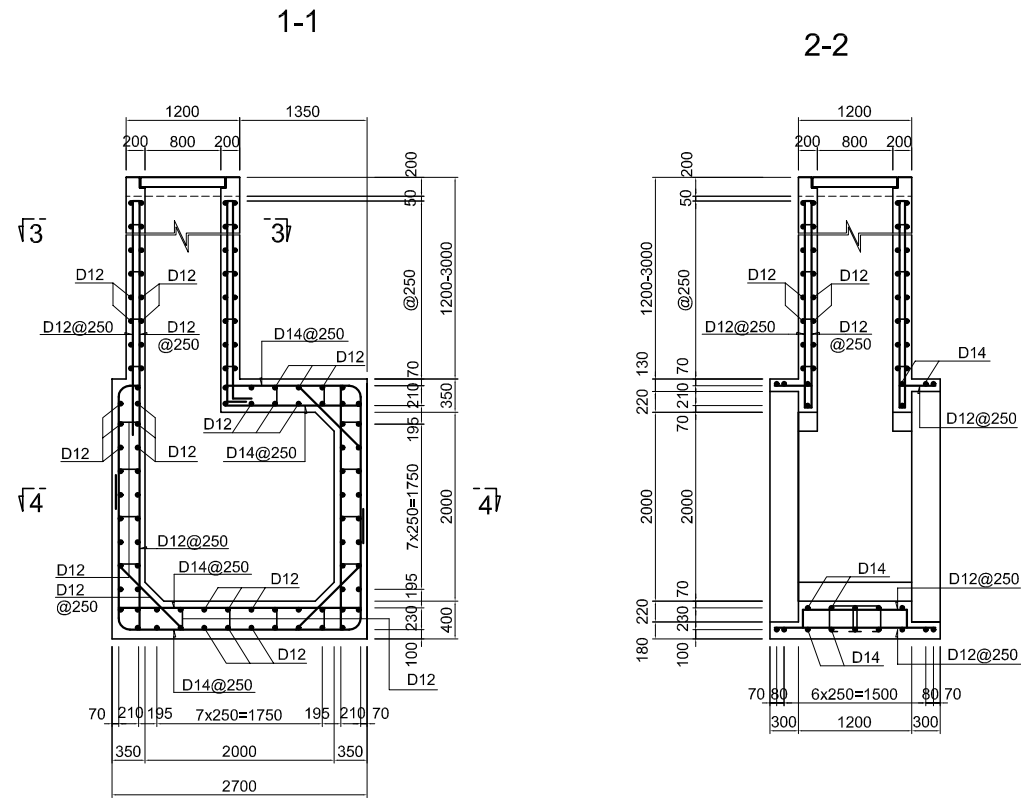
PACIFIC CONSULTANTS INTERNATIONAL



DESIGNED KATSUKI TAKAOKI	CHECKED KONDO MASAMI
-----------------------------	-------------------------

DATE : JUNE 2001 DWG. No. PD - ECSI - 279

TYPE 1A-0

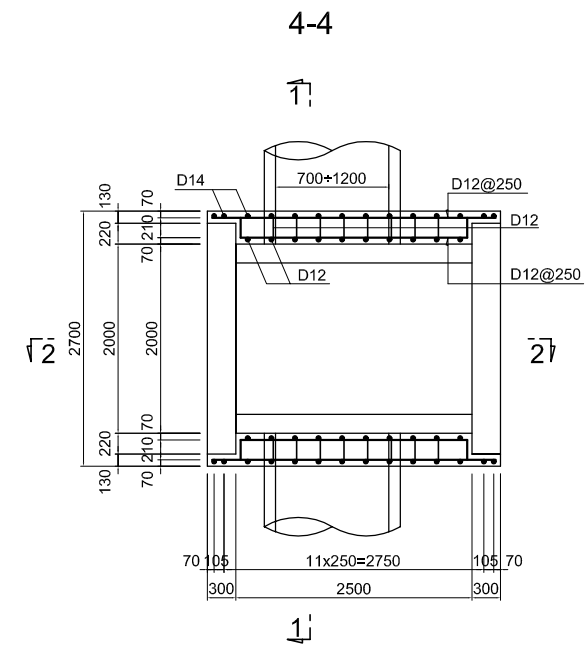
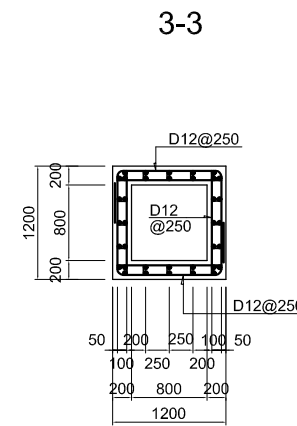
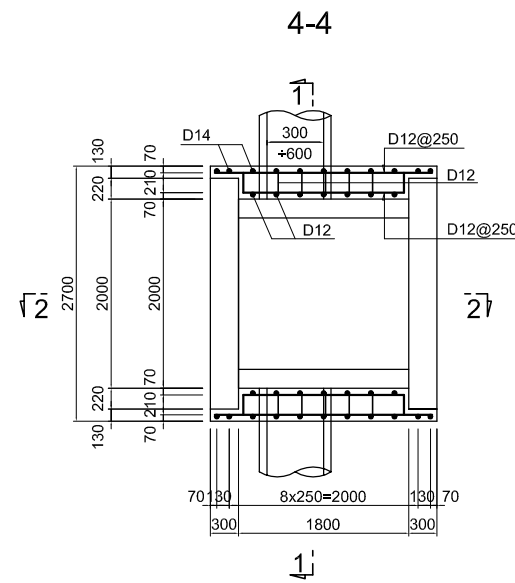
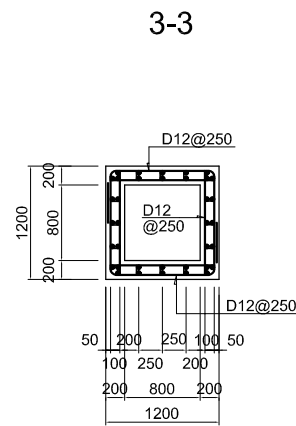
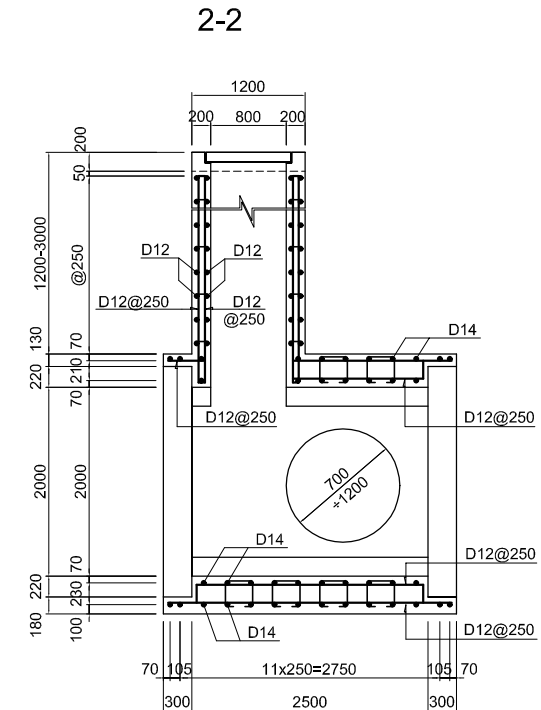
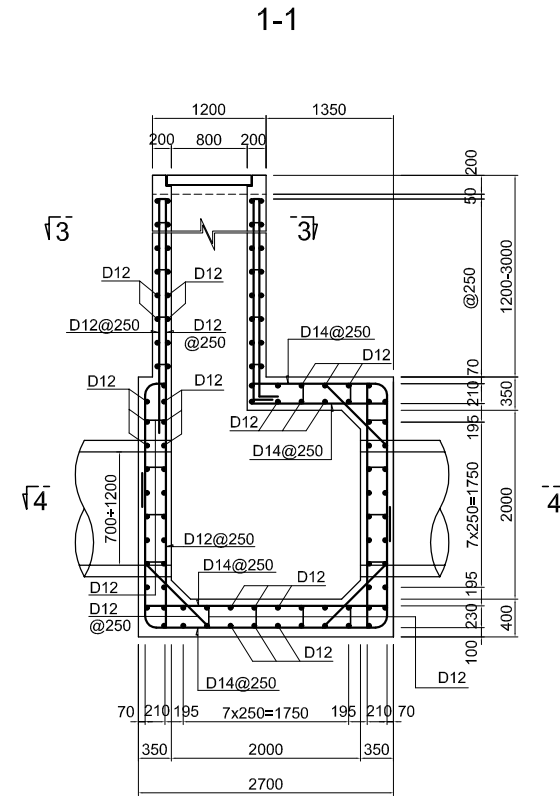
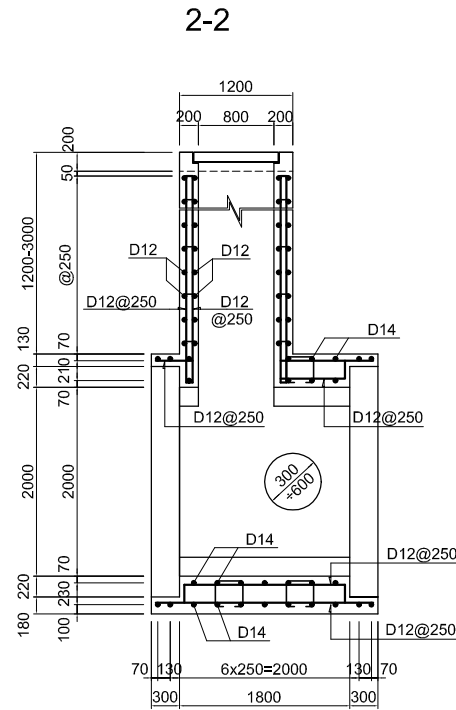
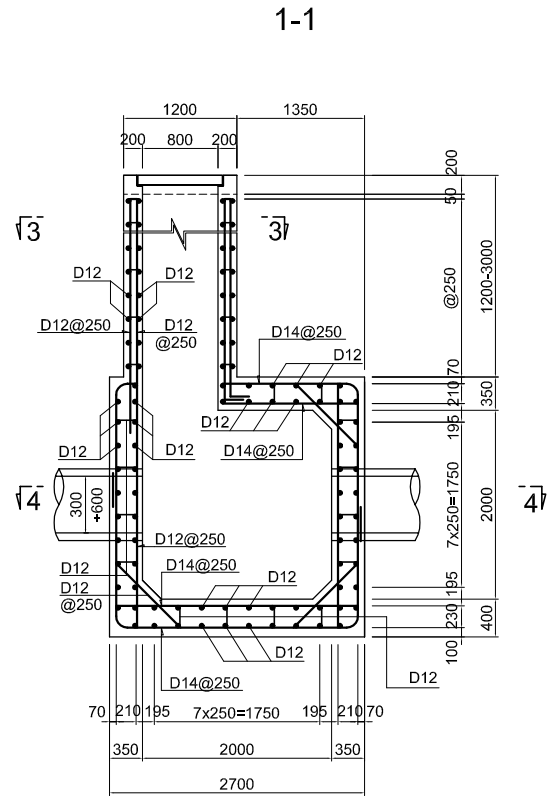
TYPE 1A-1



NO.	DATE	DESCRIPTIONS	BY	APRO.
REVISIONS				
PROJECT MANAGEMENT UNIT FOR HO CHI MINH CITY WATER ENVIRONMENT IMPROVEMENT				
THE DETAILED DESIGN STUDY ON HO CHI MINH CITY WATER ENVIRONMENT IMPROVEMENT PROJECT IN THE SOCIALIST REPUBLIC OF VIET NAM				
PACKAGE D EXITING COMBINED SEWER IMPROVEMENT				
BAR ARRANGEMENT OF MANHOLE FOR BOX CULVERT (1)				
SCALE : 1/40				
 JAPAN INTERNATIONAL COOPERATION AGENCY ( JICA )				
 PACIFIC CONSULTANTS INTERNATIONAL				
DESIGNED		CHECKED		
DATE :		DWG. No. PD - ECSI - 276		

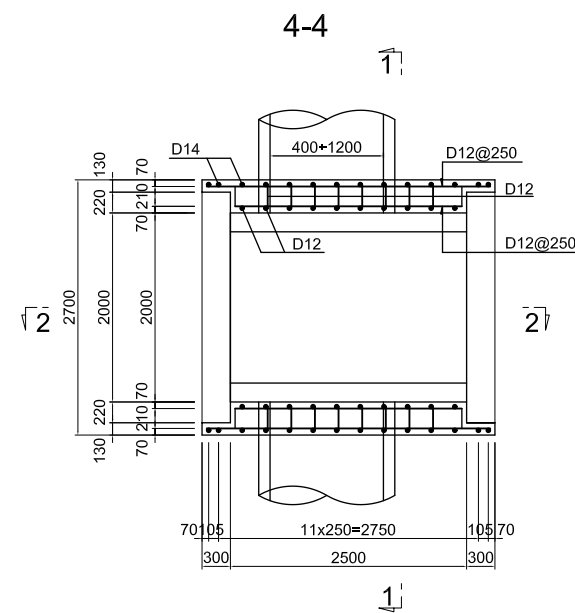
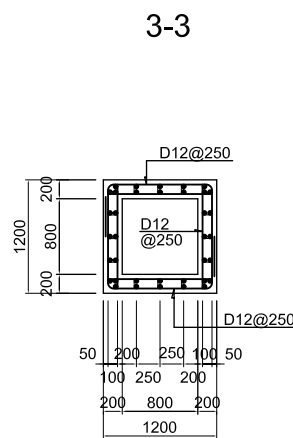
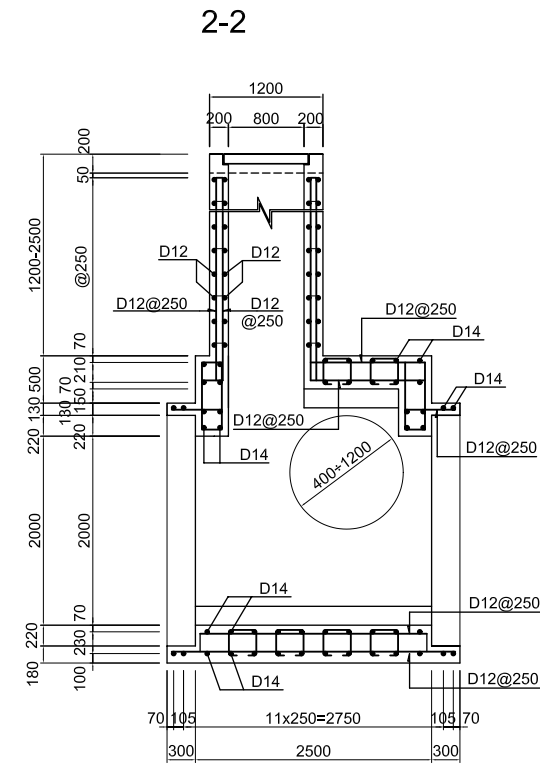
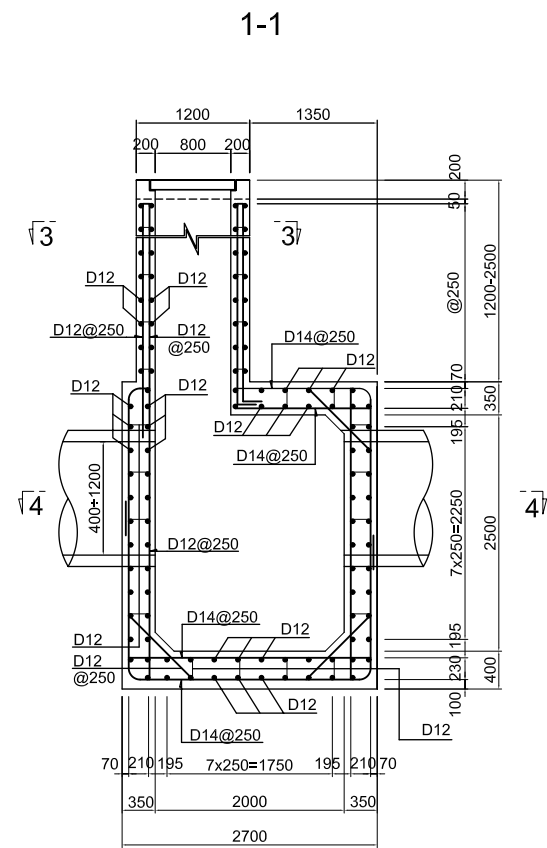
TYPE 1B-1 ; 1C-1

TYPE 1B-2 ; 1C-2



NO.	DATE	DESCRIPTIONS	BY	APRO.
REVISIONS				
PROJECT MANAGEMENT UNIT FOR HO CHI MINH CITY WATER ENVIRONMENT IMPROVEMENT				
THE DETAILED DESIGN STUDY ON HO CHI MINH CITY WATER ENVIRONMENT IMPROVEMENT PROJECT IN THE SOCIALIST REPUBLIC OF VIET NAM				
PACKAGE D EXITING COMBINED SEWER IMPROVEMENT				
BAR ARRANGEMENT OF MANHOLE FOR BOX CULVERT (2)				
SCALE : 1/40				
JICA JAPAN INTERNATIONAL COOPERATION AGENCY ( JICA )				
PACIFIC CONSULTANTS INTERNATIONAL				
DESIGNED		CHECKED		
DATE :		DWG. No. PD - ECSI - 277		

TYPE 3B-1 ; 3B-2 ; 3C-1 ; 3C-2



NO.	DATE	DESCRIPTIONS	BY	APRO.
-----	------	--------------	----	-------

REVISIONS

PROJECT MANAGEMENT UNIT FOR  
HO CHI MINH CITY  
WATER ENVIRONMENT IMPROVEMENT

THE DETAILED DESIGN STUDY ON HO CHI MINH CITY  
WATER ENVIRONMENT IMPROVEMENT PROJECT  
IN THE SOCIALIST REPUBLIC OF VIET NAM

PACKAGE D  
EXITING COMBINED SEWER IMPROVEMENT

BAR ARRANGEMENT OF MANHOLE  
FOR BOX CULVERT (3)

SCALE : 1/40

JICA JAPAN INTERNATIONAL COOPERATION  
AGENCY ( JICA )

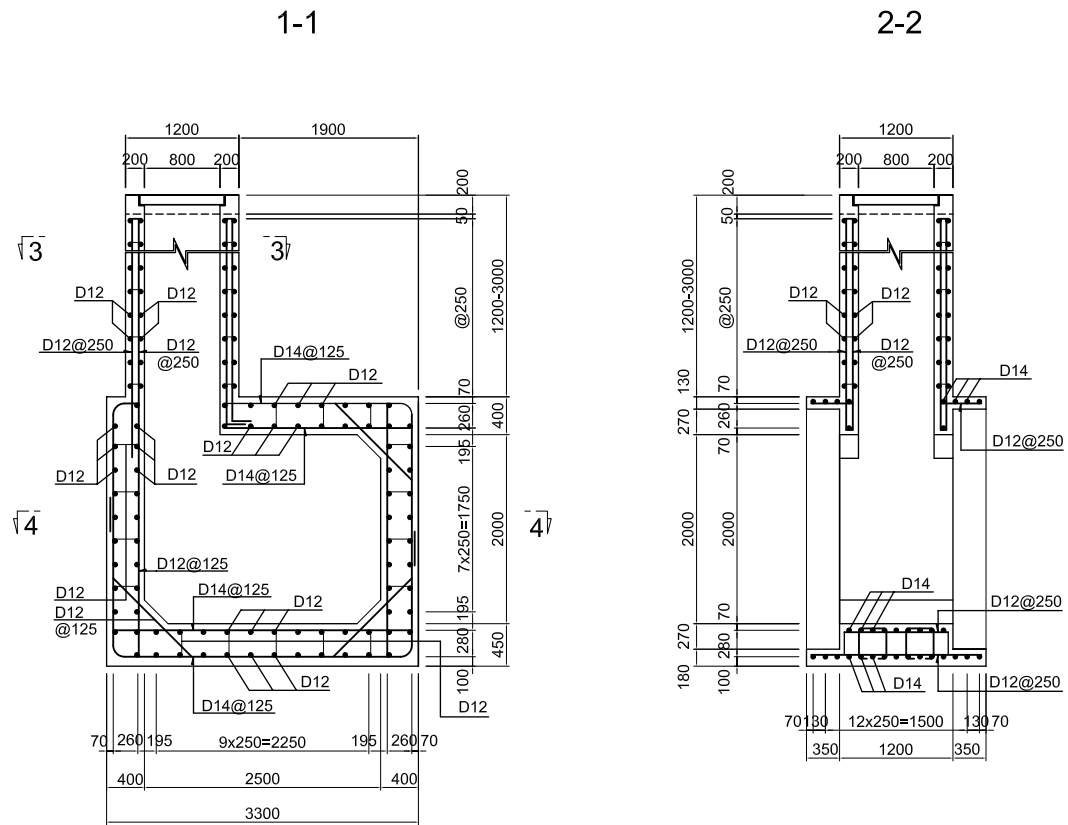
PACIFIC CONSULTANTS INTERNATIONAL

DESIGNED KATSUKI TAKAAKI	CHECKED KONDO MASAMI
-----------------------------	-------------------------

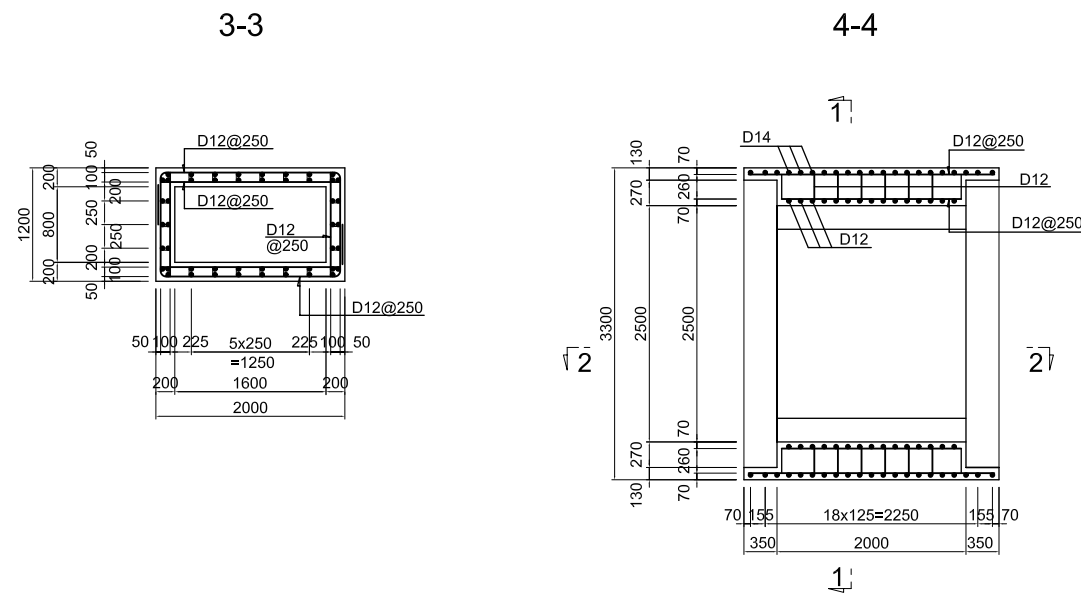
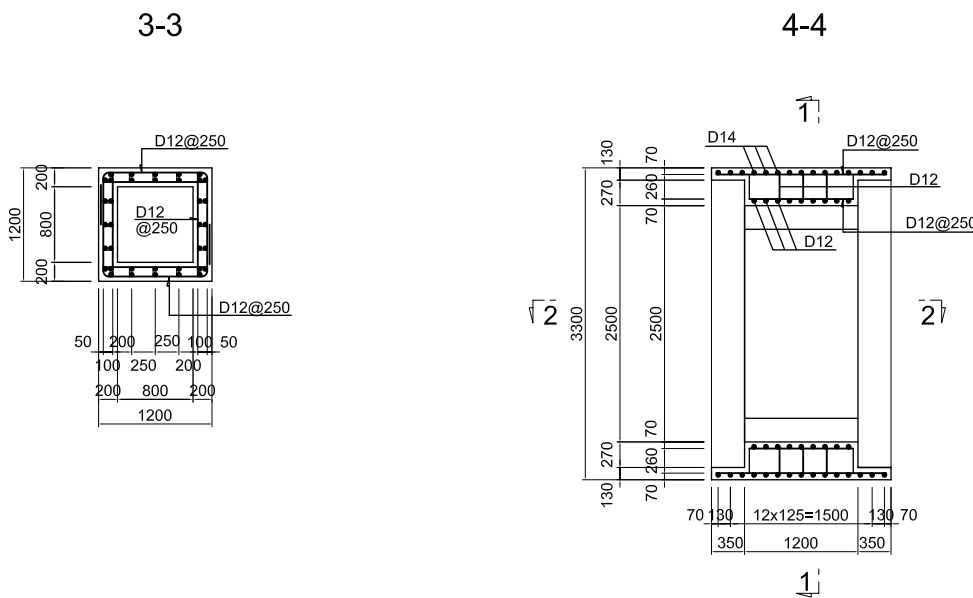
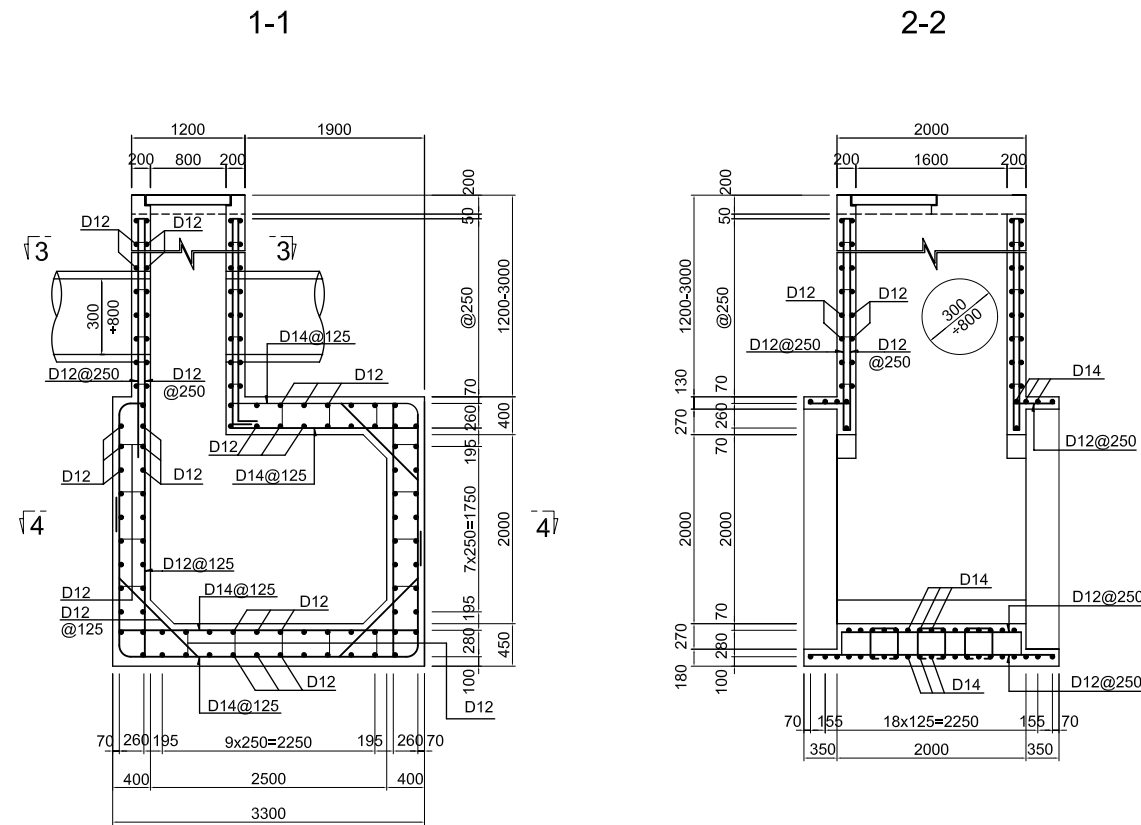
DATE : JUNE 2001 DWG. No. PD - ECSI - 280



TYPE 2A-0



TYPE 2A-1



NO.	DATE	DESCRIPTIONS	BY	APRO.
REVISIONS				
PROJECT MANAGEMENT UNIT FOR HO CHI MINH CITY WATER ENVIRONMENT IMPROVEMENT				
THE DETAILED DESIGN STUDY ON HO CHI MINH CITY WATER ENVIRONMENT IMPROVEMENT PROJECT IN THE SOCIALIST REPUBLIC OF VIET NAM				
PACKAGE D EXITING COMBINED SEWER IMPROVEMENT				
BAR ARRANGEMENT OF MANHOLE FOR BOX CULVERT (4)				
SCALE : 1/40				
JAPAN INTERNATIONAL COOPERATION AGENCY ( JICA )				
PACIFIC CONSULTANTS INTERNATIONAL				
DESIGNED KATSUKI TAKAAKI		CHECKED KONDO MASAMI		
DATE : JUNE 2001		DWG. No. PD - ECSI - 281		