

NO.	DATE	DESCRIPTIONS	BY	APRO.

REVISIONS

PROJECT MANAGEMENT UNIT FOR
HO CHI MINH CITY
WATER ENVIRONMENT IMPROVEMENT

THE DETAILED DESIGN ON HO CHI MINH CITY
WATER ENVIRONMENT IMPROVEMENT PROJECT
IN THE SOCIALIST REPUBLIC OF VIET NAM

PACKAGE D
EXISTING COMBINED SEWER IMPROVEMENT

CROSS SECTION OF ECSI - LINE 5 (5)

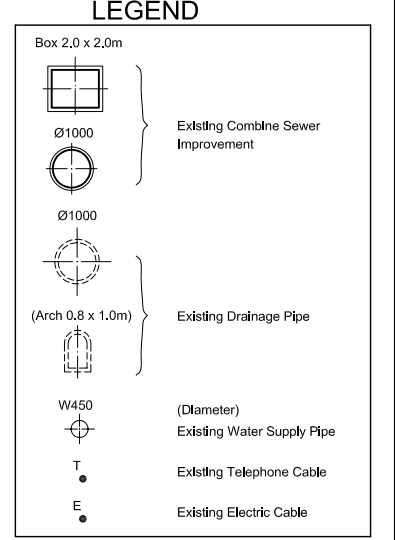
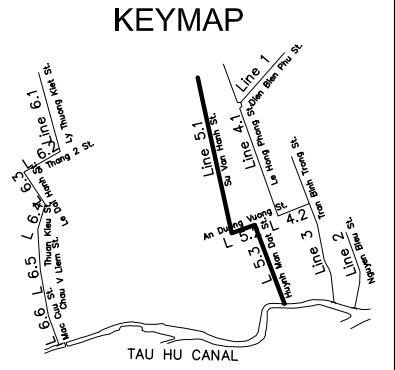
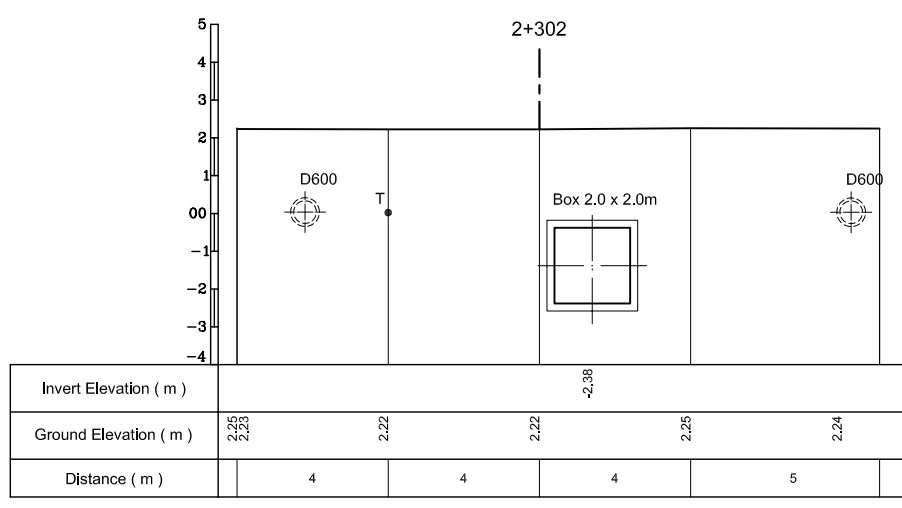
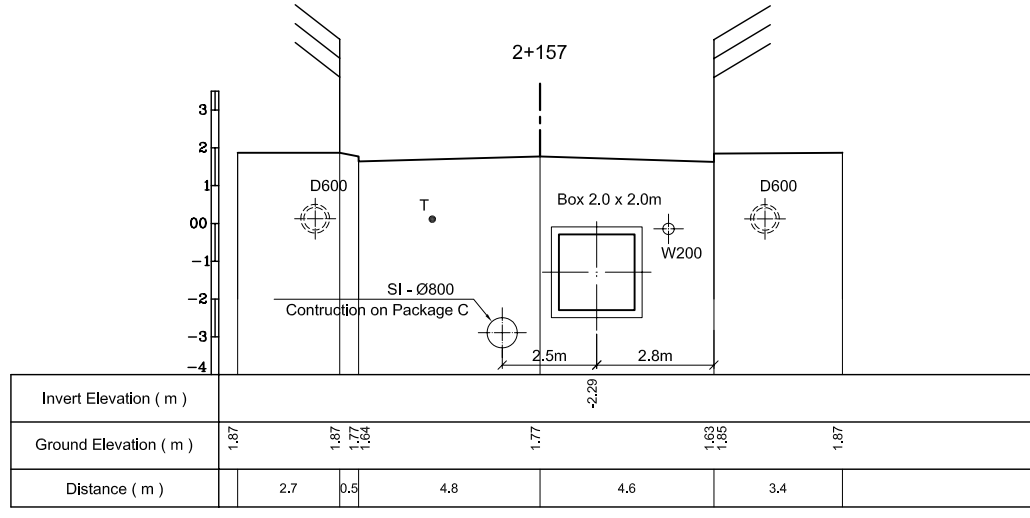
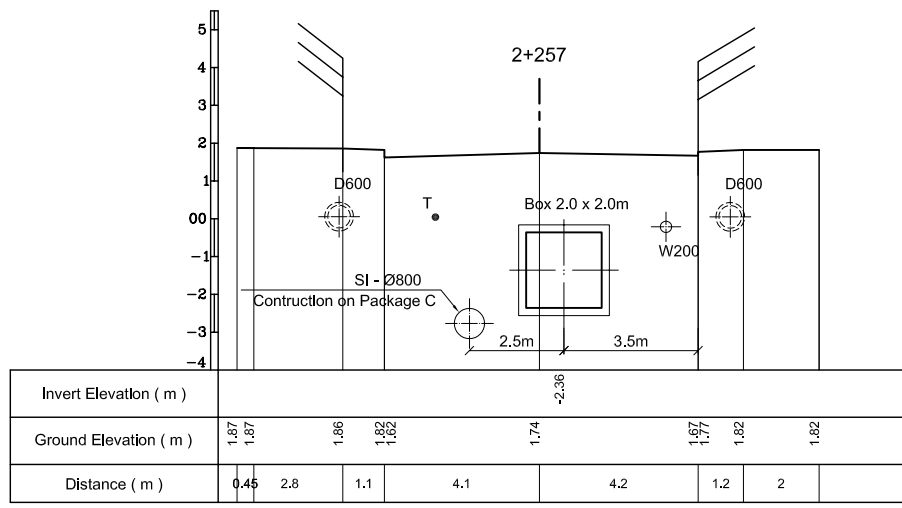
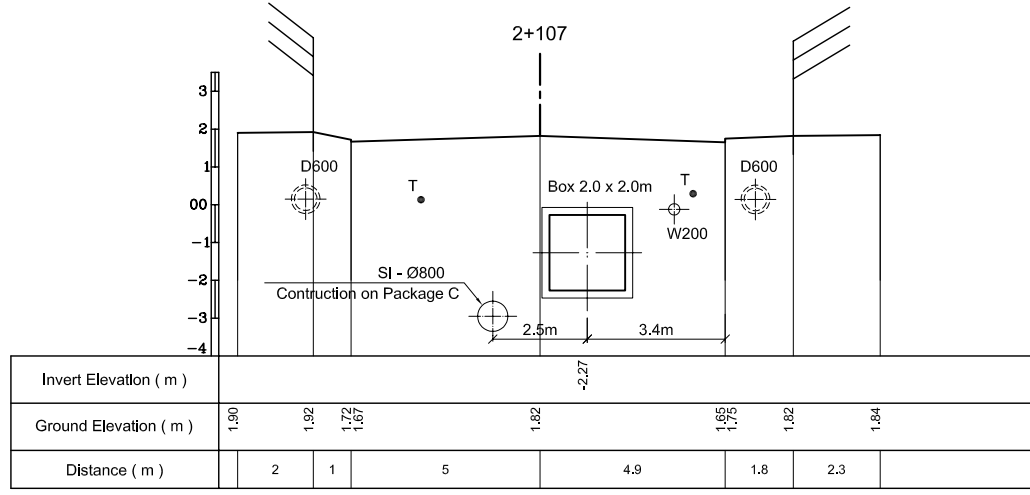
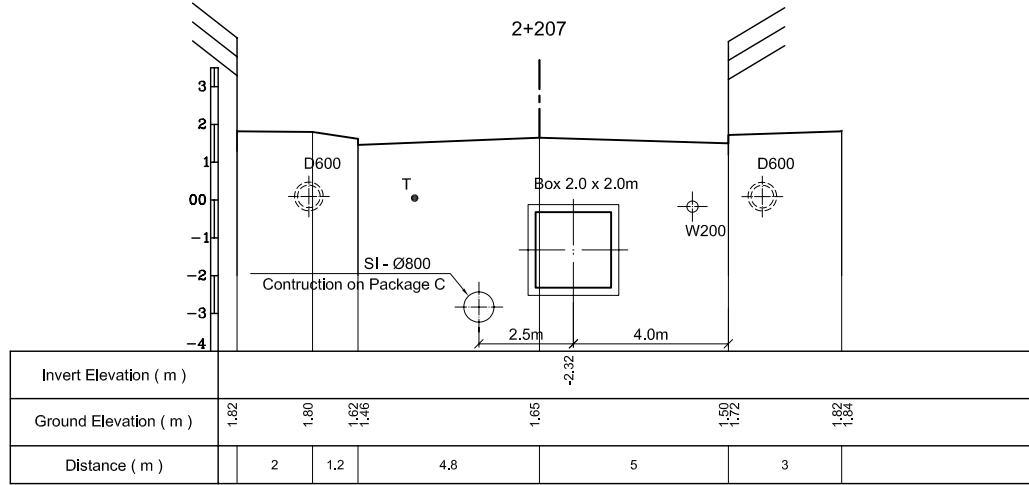
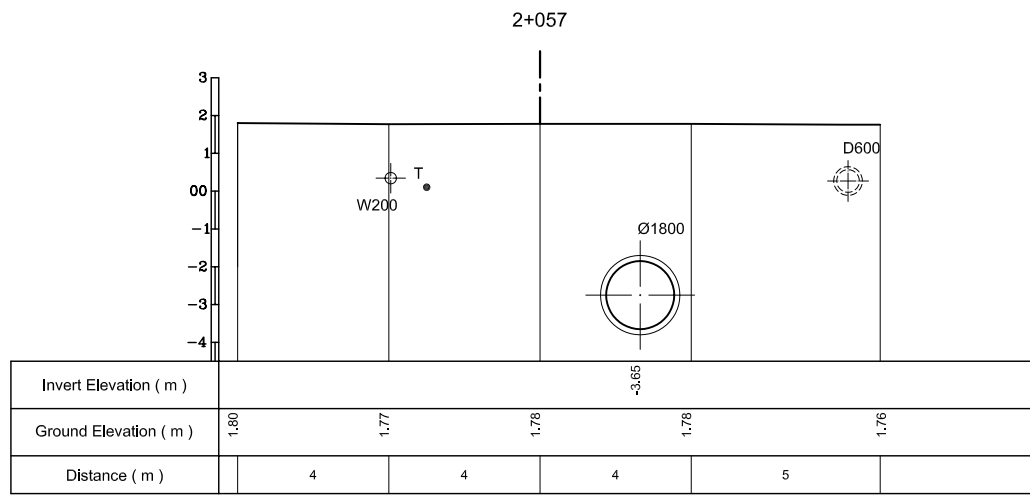
SCALE : 1 / 100

JICA JAPAN INTERNATIONAL COOPERATION
AGENCY (JICA)

PACIFIC CONSULTANTS INTERNATIONAL

DESIGNED KATSUKI TAKAAKI	CHECKED KONDO MASAMI
-----------------------------	-------------------------

DATE : JUNE 2001 DWG. No. PD - ECSI - 254



NO.	DATE	DESCRIPTIONS	BY	APRO.

REVISIONS

PROJECT MANAGEMENT UNIT FOR
HO CHI MINH CITY
WATER ENVIRONMENT IMPROVEMENT

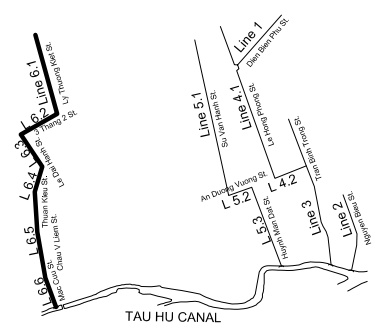
THE DETAILED DESIGN ON HO CHI MINH CITY
WATER ENVIRONMENT IMPROVEMENT PROJECT
IN THE SOCIALIST REPUBLIC OF VIET NAM

PACKAGE D
EXISTING COMBINED SEWER IMPROVEMENT

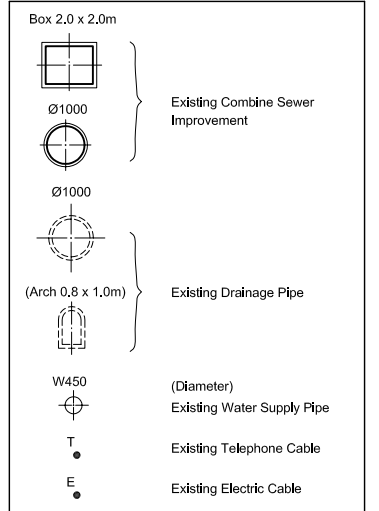
**CROSS SECTION
OF ECSI - LINE 5 (6)**

SCALE : 1 / 100	
JAPAN INTERNATIONAL COOPERATION AGENCY (JICA)	
PACIFIC CONSULTANTS INTERNATIONAL	
DESIGNED KATSUKI TAKAAKI	CHECKED KONDO MASAMI
DATE : JUNE 2001	DWG. No. PD - ECSI - 255

KEYMAP



LEGEND



NO.	DATE	DESCRIPTIONS	BY	APRO.
-----	------	--------------	----	-------

REVISIONS

PROJECT MANAGEMENT UNIT FOR
HO CHI MINH CITY
WATER ENVIRONMENT IMPROVEMENT

THE DETAILED DESIGN ON HO CHI MINH CITY
WATER ENVIRONMENT IMPROVEMENT PROJECT
IN THE SOCIALIST REPUBLIC OF VIET NAM

PACKAGE D
EXISTING COMBINED SEWER IMPROVEMENT

CROSS SECTION
OF ECSI - LINE 6 (1)

SCALE : 1 / 100

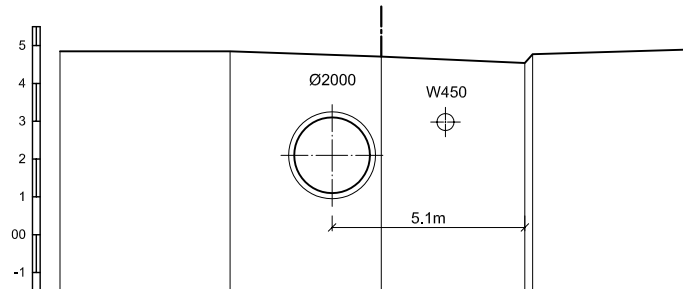
JICA JAPAN INTERNATIONAL COOPERATION
AGENCY (JICA)

PACIFIC CONSULTANTS INTERNATIONAL

DESIGNED KATSUKI TAKAAKI	CHECKED KONDO MASAMI
-----------------------------	-------------------------

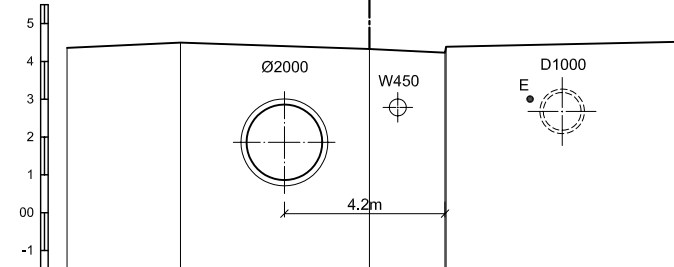
DATE : JUNE 2001 DWG. No. PD - ECSI - 256

0+00



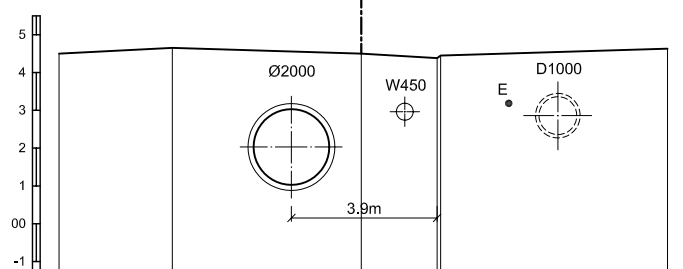
Invert Elevation (m)	1.10					
Ground Elevation (m)	4.85	4.85	4.72	4.54	4.77	4.89
Distance (m)	4.5	4	3.8	0.21	3.99	

0+200



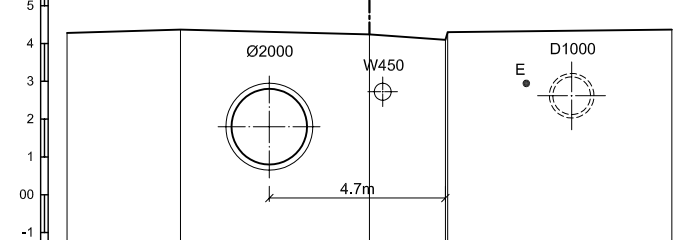
Invert Elevation (m)	0.86					
Ground Elevation (m)	4.36	4.50	4.34	4.33	4.33	4.52
Distance (m)	3	5	2	0.03	6.17	

0+050



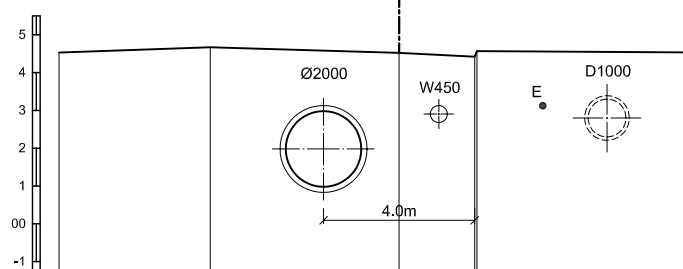
Invert Elevation (m)	1.05					
Ground Elevation (m)	4.50	4.65	4.51	4.38	4.45	4.63
Distance (m)	3	5	2	0.1	6	

0+250



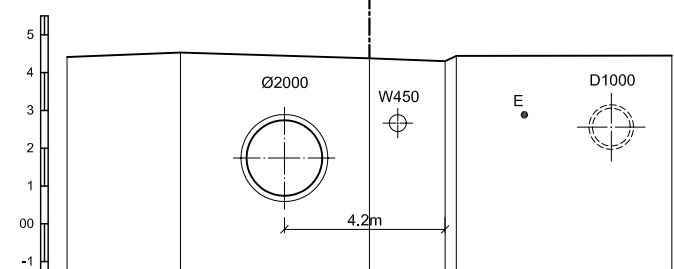
Invert Elevation (m)	0.80					
Ground Elevation (m)	4.28	4.37	4.25	4.10	4.30	4.37
Distance (m)	3	5	2.01	0.06	5.93	

0+100



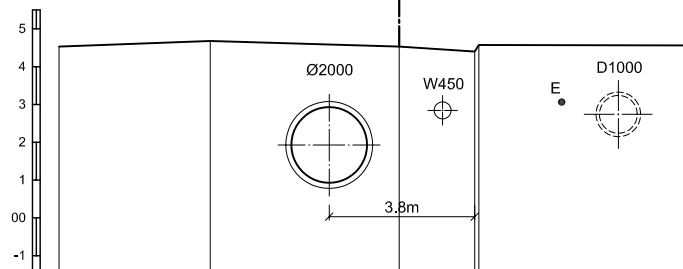
Invert Elevation (m)	0.98					
Ground Elevation (m)	4.53	4.67	4.53	4.42	4.57	4.53
Distance (m)	4	5	2	0.06	6.14	

0+300



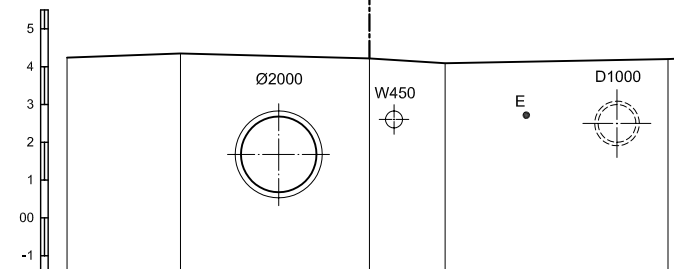
Invert Elevation (m)	0.74					
Ground Elevation (m)	4.41	4.53	4.34	4.30	4.34	4.45
Distance (m)	3	5	2	0.3	5.7	

0+150



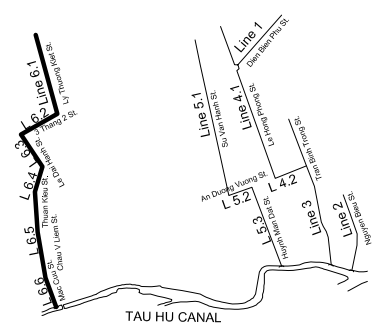
Invert Elevation (m)	0.83					
Ground Elevation (m)	4.53	4.68	4.52	4.40	4.57	4.56
Distance (m)	4	5	2	0.11	5.89	

0+350

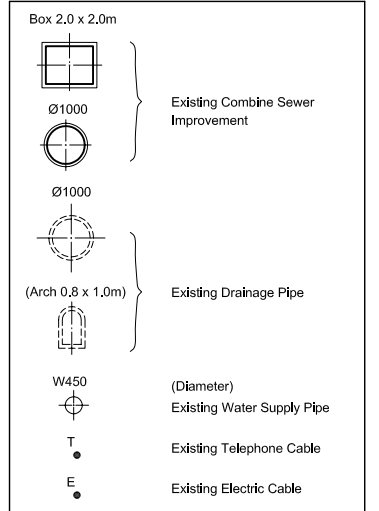


Invert Elevation (m)	0.68					
Ground Elevation (m)	4.24	4.35	4.23	4.09	4.20	4.40
Distance (m)	3	5	2	5.9	4.9	

KEYMAP



LEGEND



NO.	DATE	DESCRIPTIONS	BY	APRO.
-----	------	--------------	----	-------

REVISIONS

PROJECT MANAGEMENT UNIT FOR
HO CHI MINH CITY
WATER ENVIRONMENT IMPROVEMENT

THE DETAILED DESIGN ON HO CHI MINH CITY
WATER ENVIRONMENT IMPROVEMENT PROJECT
IN THE SOCIALIST REPUBLIC OF VIET NAM

PACKAGE D
EXISTING COMBINED SEWER IMPROVEMENT

CROSS SECTION
OF ECSI - LINE 6 (2)

SCALE : 1 / 100

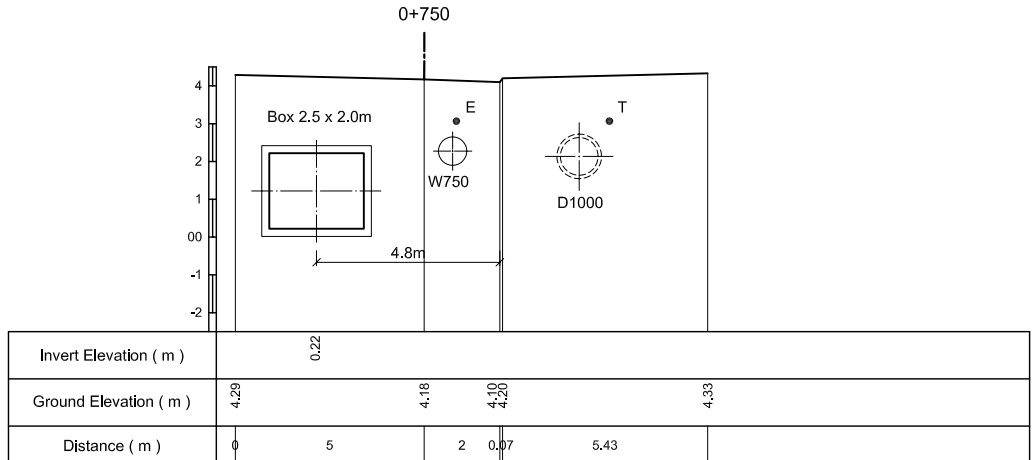
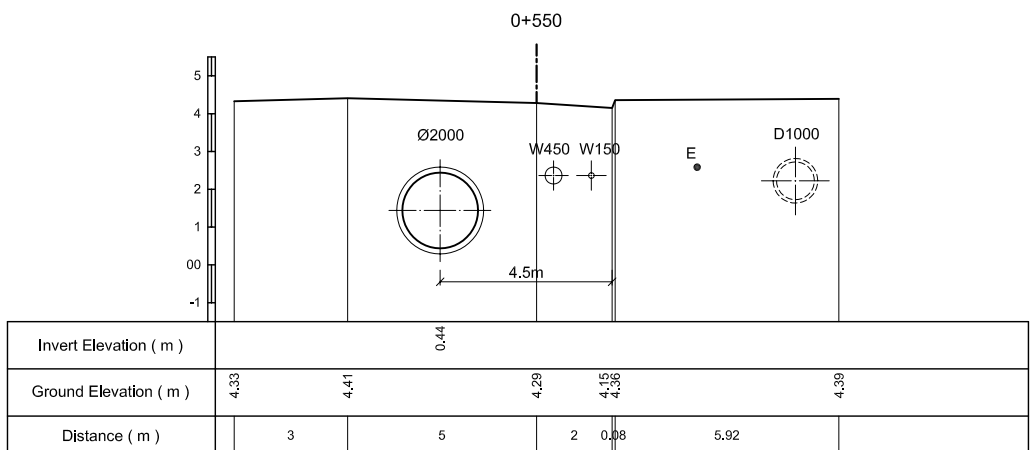
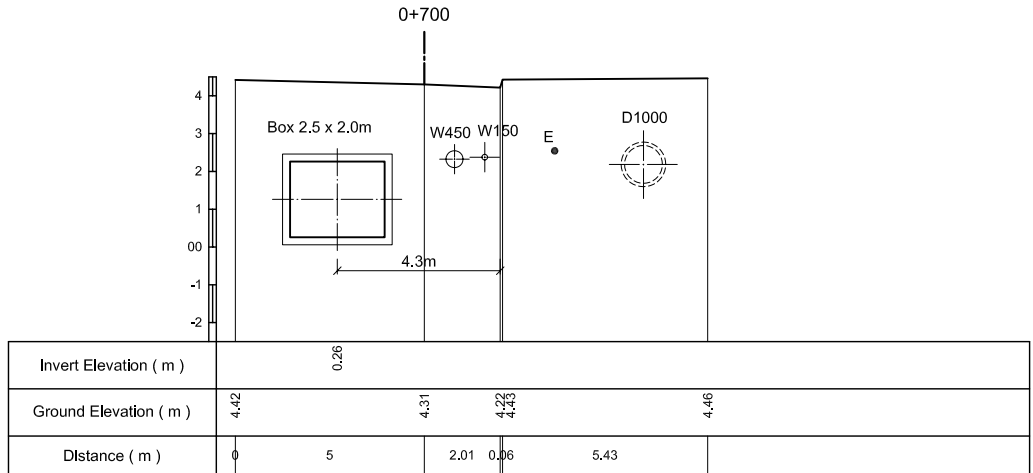
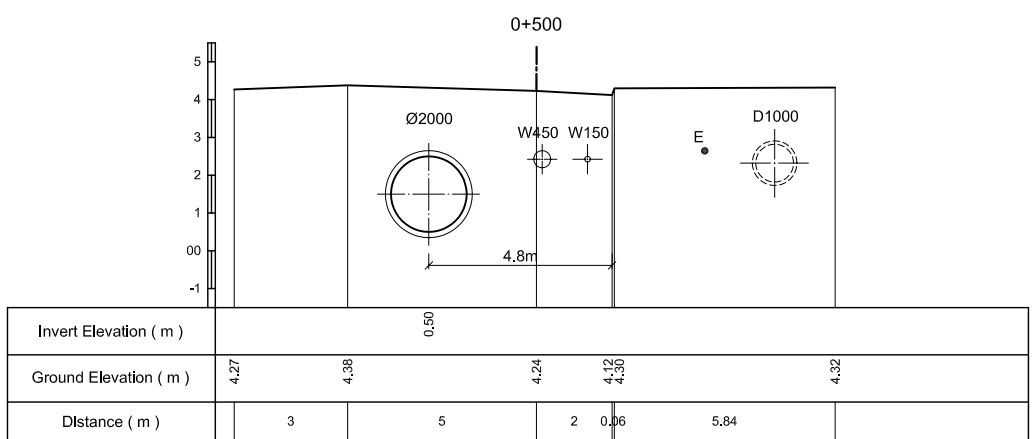
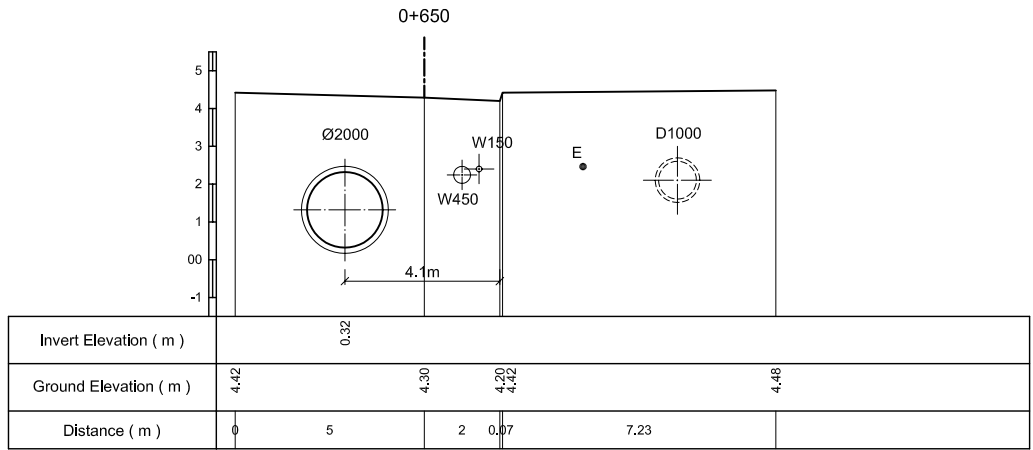
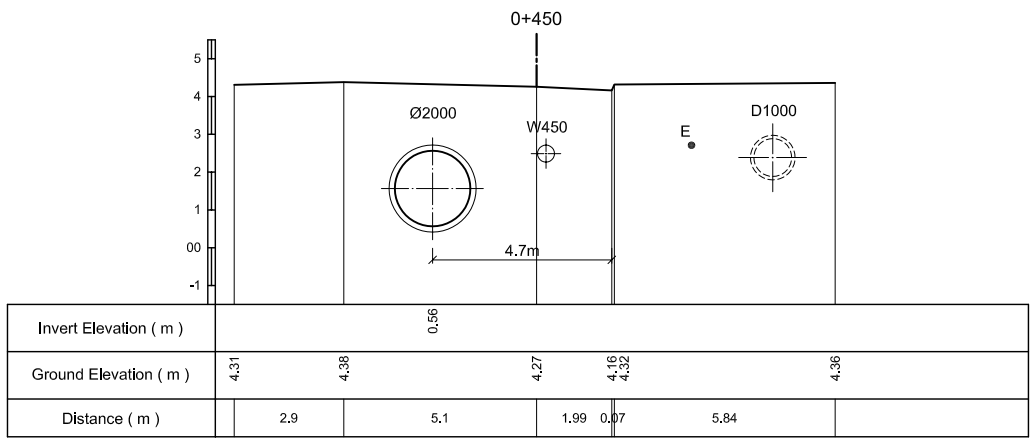
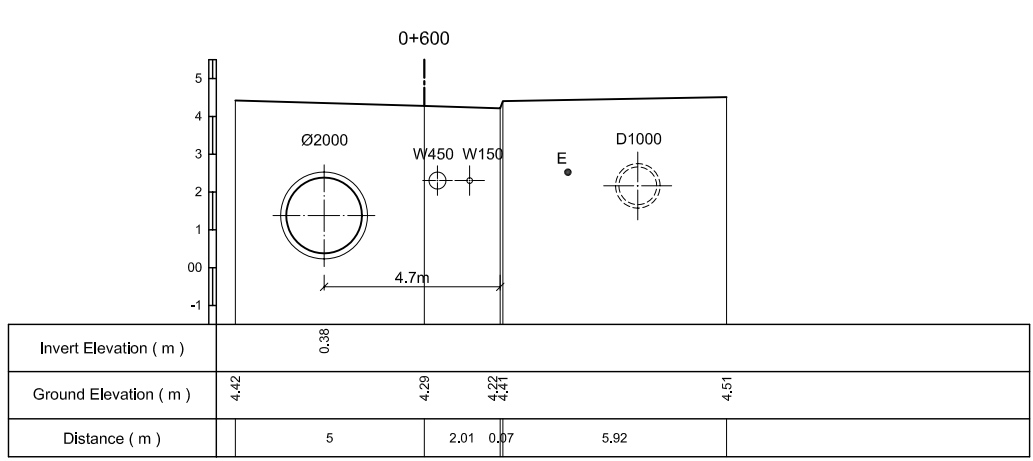
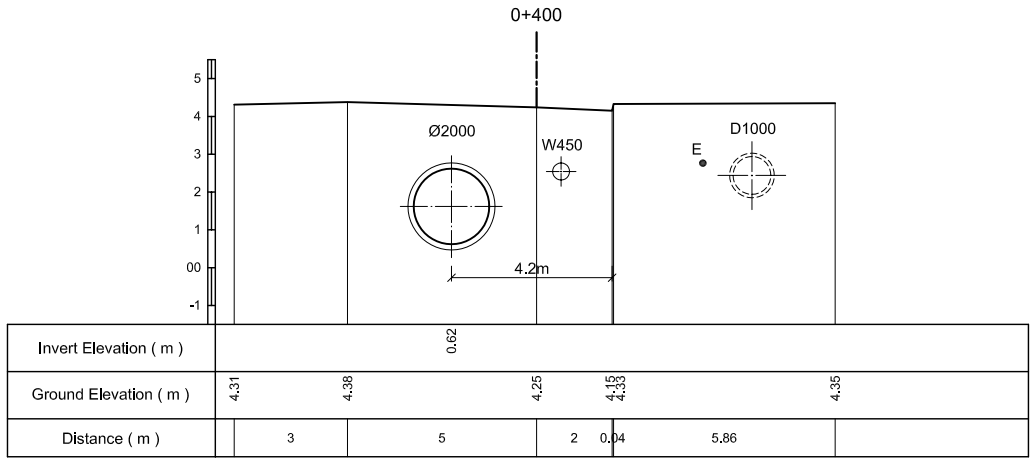
JICA JAPAN INTERNATIONAL COOPERATION
AGENCY (JICA)

PACIFIC CONSULTANTS INTERNATIONAL

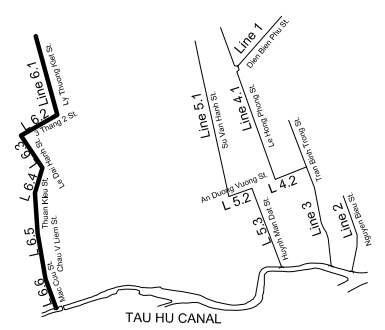
DESIGNED
KATSUKI TAKAAKI

CHECKED
KONDO MASAMI

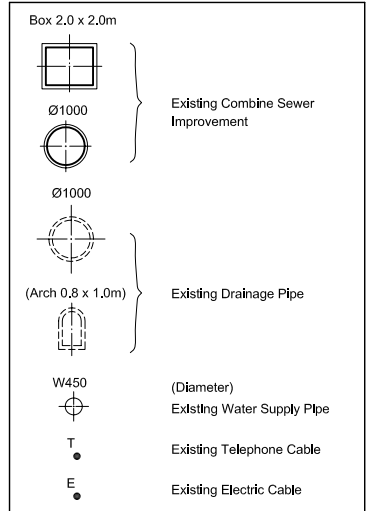
DATE : JUNE 2001 DWG. No. PD - ECSI - 257



KEYMAP



LEGEND



NO.	DATE	DESCRIPTIONS	BY	APRO.

REVISIONS

PROJECT MANAGEMENT UNIT FOR
HO CHI MINH CITY
WATER ENVIRONMENT IMPROVEMENT

THE DETAILED DESIGN ON HO CHI MINH CITY
WATER ENVIRONMENT IMPROVEMENT PROJECT
IN THE SOCIALIST REPUBLIC OF VIET NAM

PACKAGE D
EXISTING COMBINED SEWER IMPROVEMENT

CROSS SECTION
OF ECSI - LINE 6 (3)

SCALE : 1 / 100

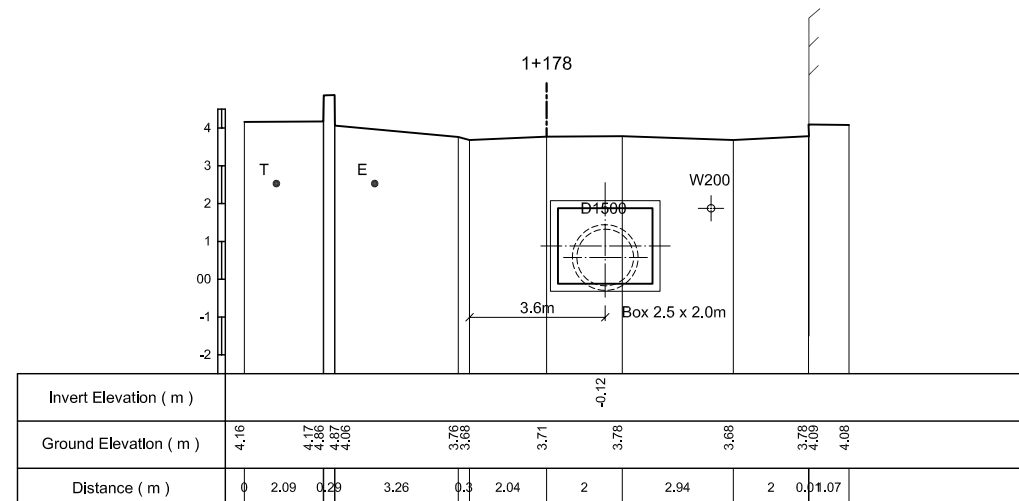
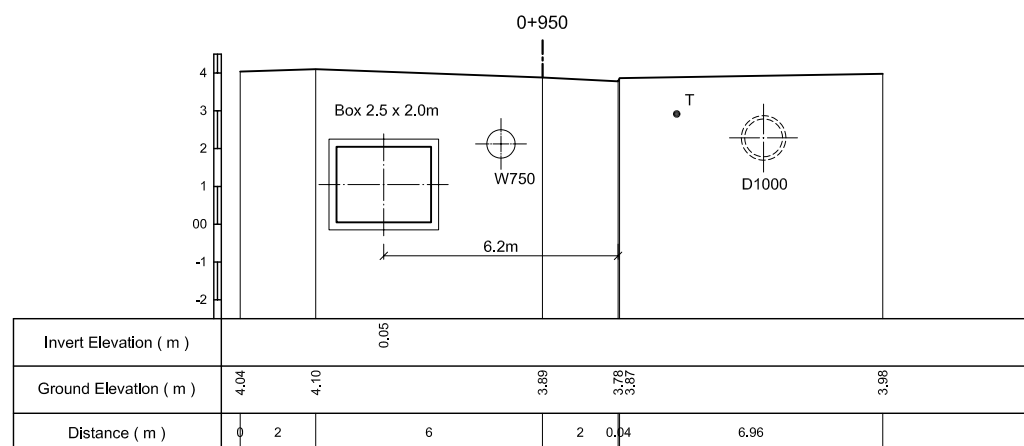
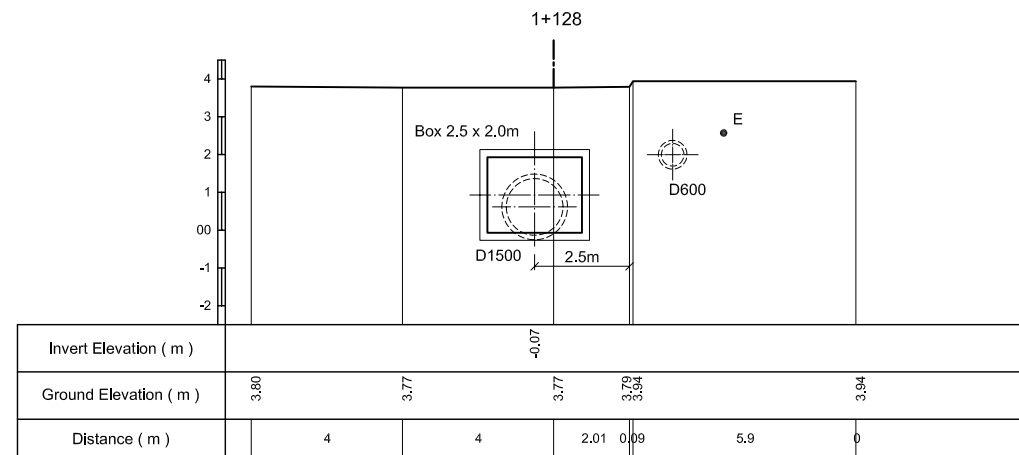
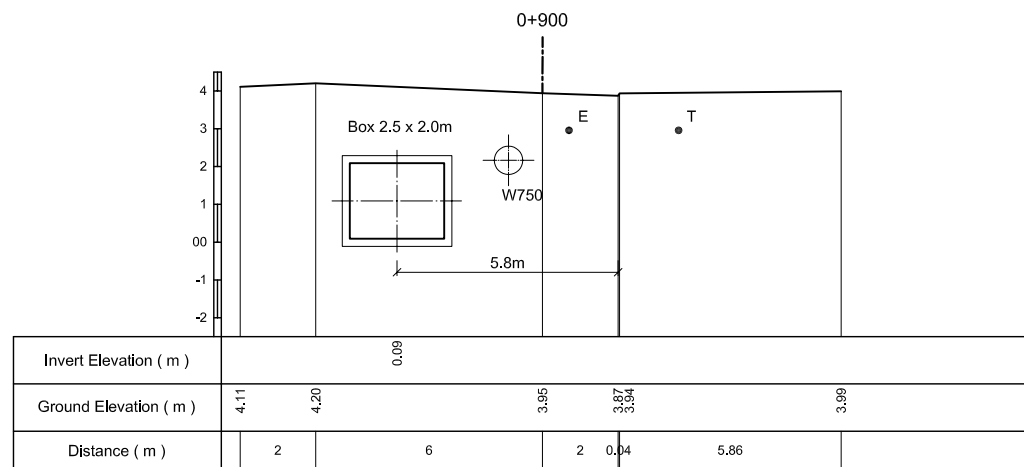
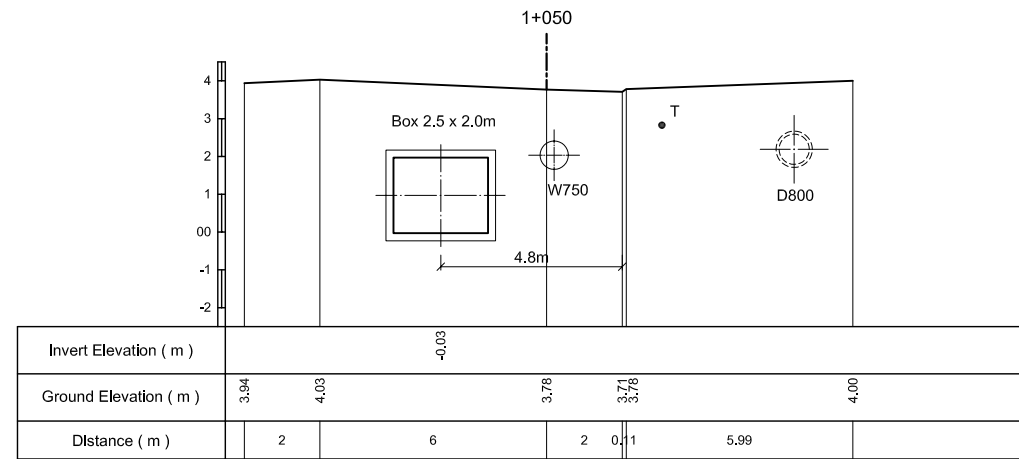
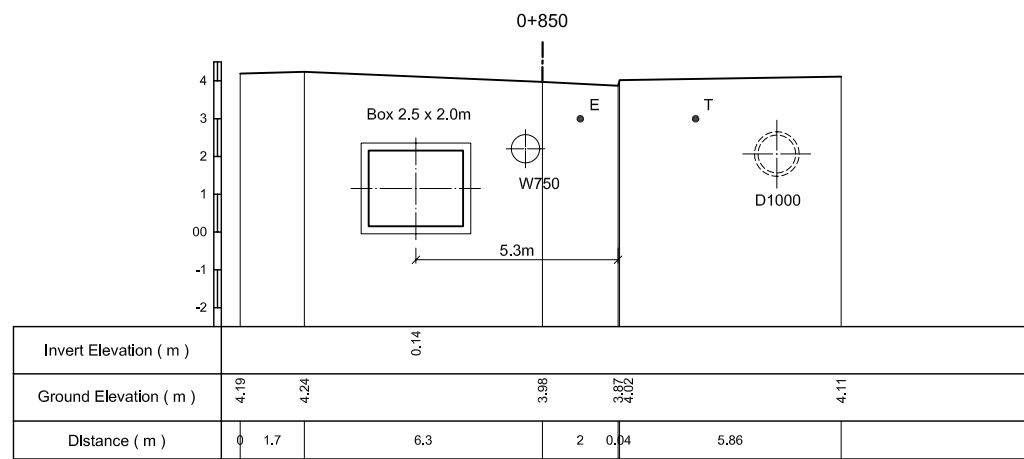
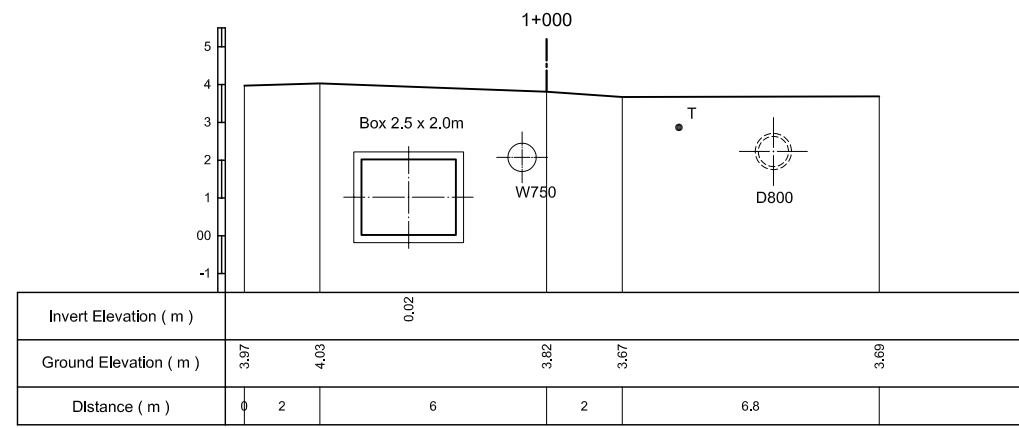
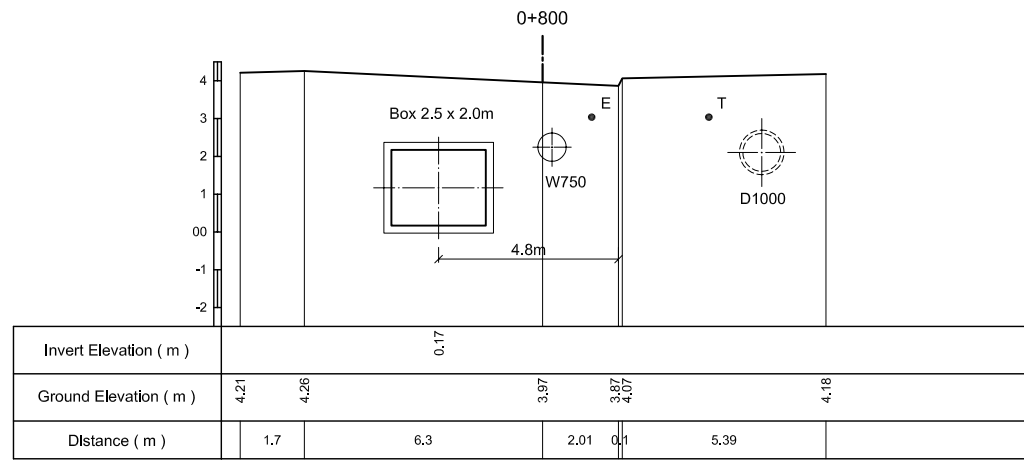
JICA JAPAN INTERNATIONAL COOPERATION
AGENCY (JICA)

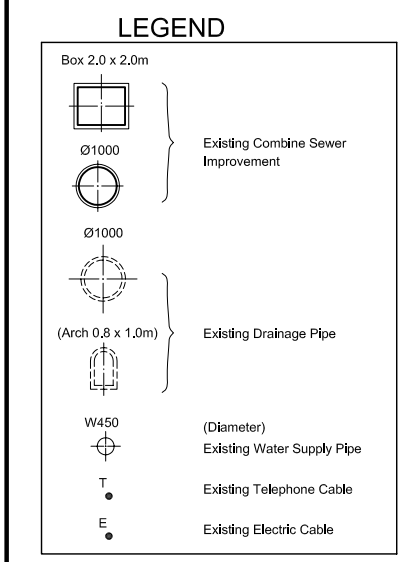
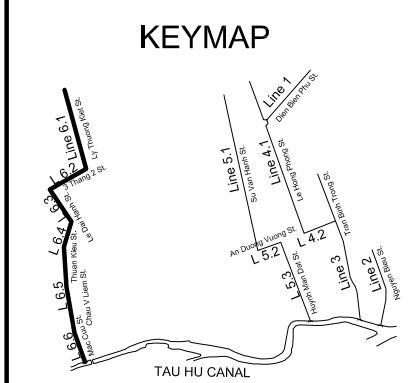
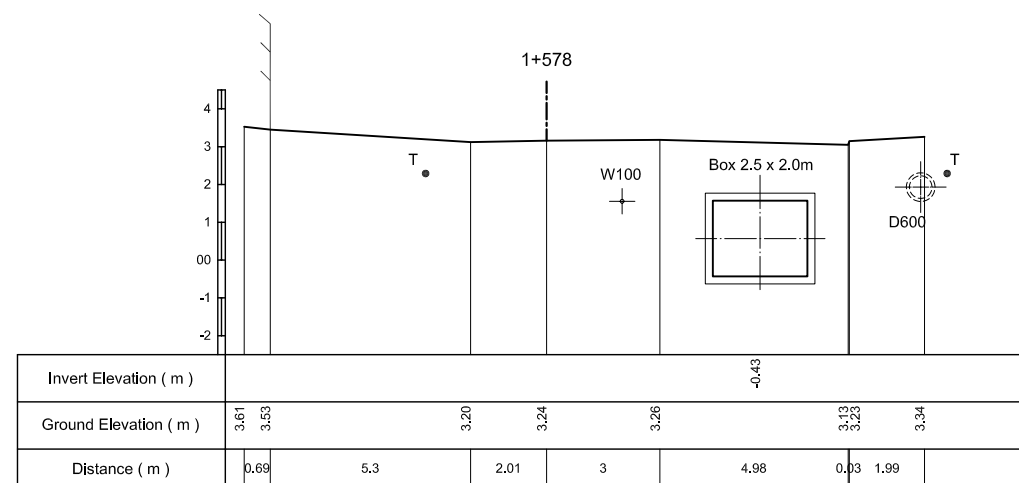
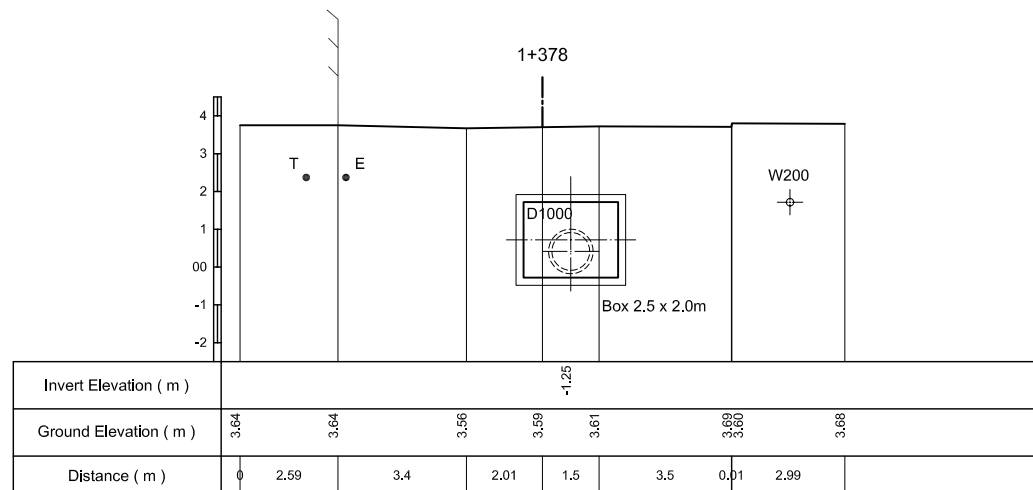
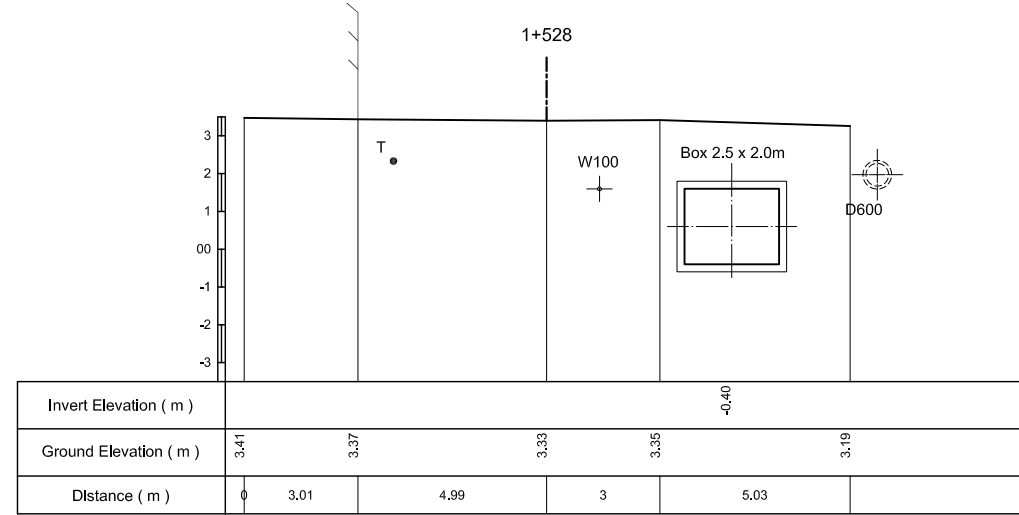
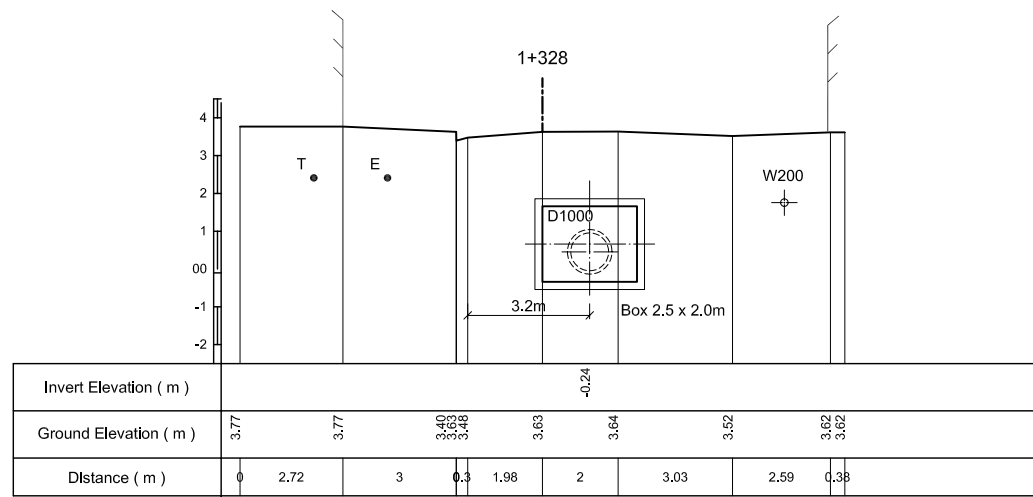
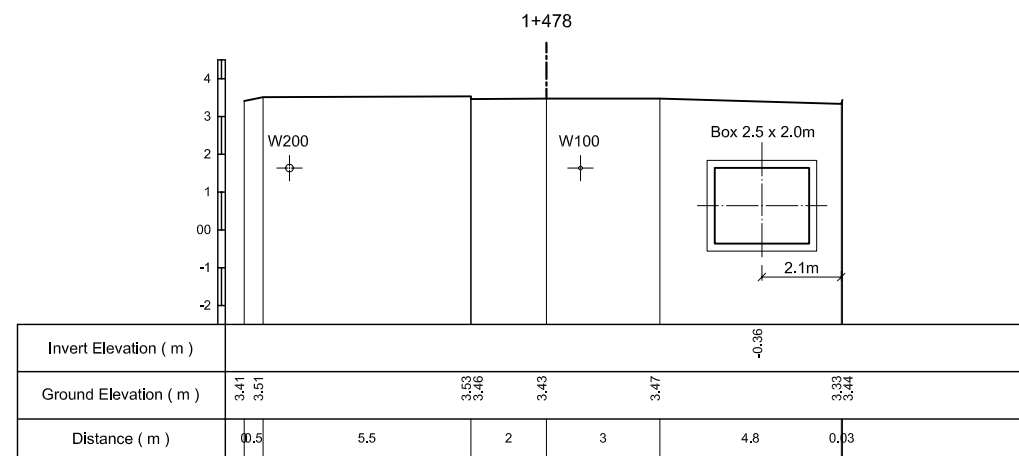
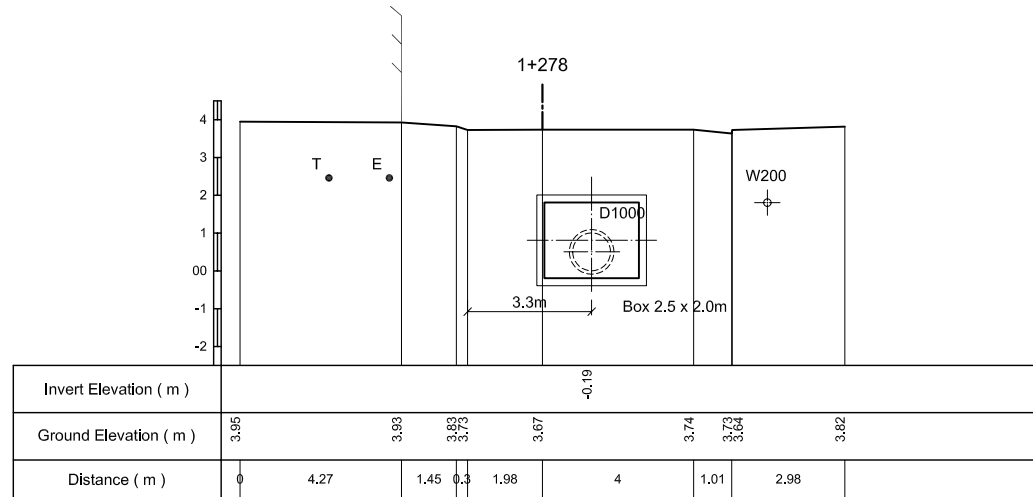
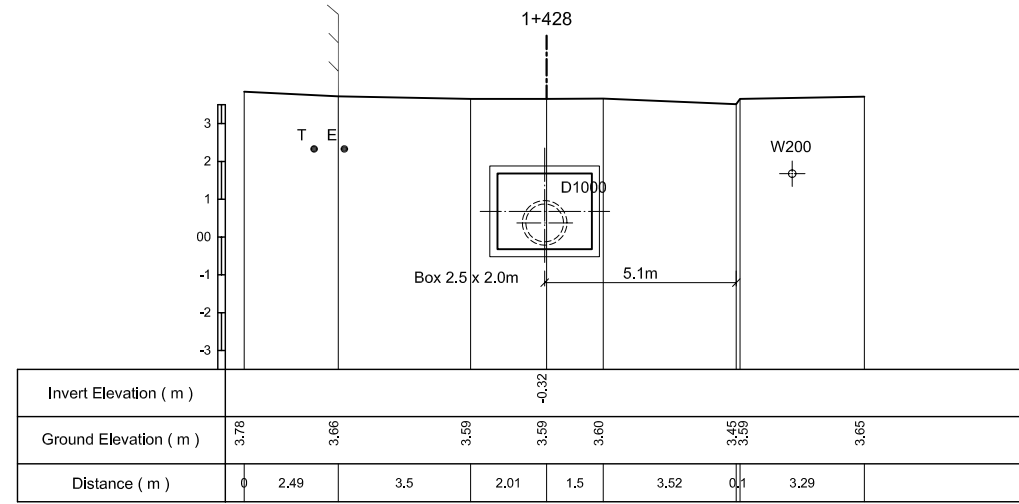
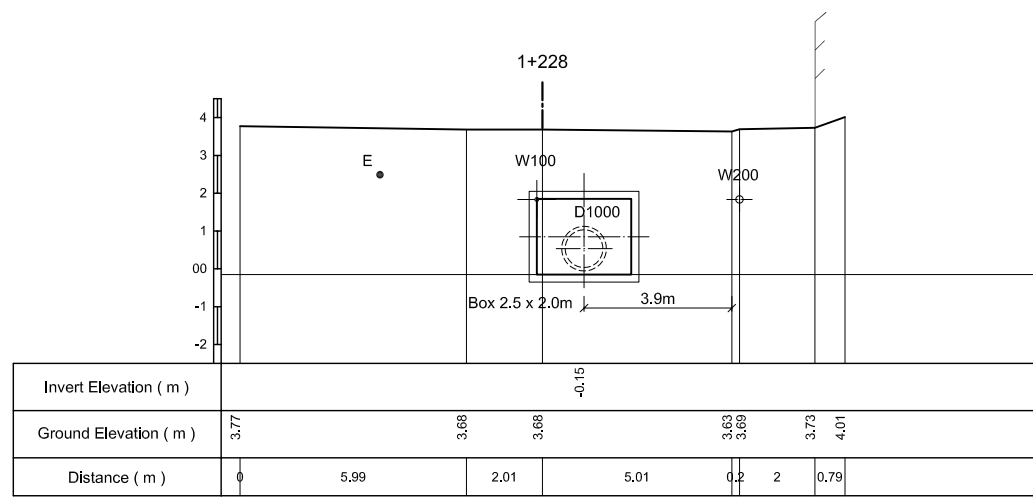
PACIFIC CONSULTANTS INTERNATIONAL

DESIGNED
KATSUKI TAKAAKI

CHECKED
KONDO MASAMI

DATE : JUNE 2001 DWG. No. PD - ECSI - 258





NO.	DATE	DESCRIPTIONS	BY	APRO.

REVISIONS

PROJECT MANAGEMENT UNIT FOR
HO CHI MINH CITY
WATER ENVIRONMENT IMPROVEMENT

THE DETAILED DESIGN ON HO CHI MINH CITY
WATER ENVIRONMENT IMPROVEMENT PROJECT
IN THE SOCIALIST REPUBLIC OF VIET NAM

PACKAGE D
EXISTING COMBINED SEWER IMPROVEMENT

CROSS SECTION OF ECSI - LINE 6 (4)

SCALE : 1 / 100

JICA JAPAN INTERNATIONAL COOPERATION AGENCY (JICA)

PACIFIC CONSULTANTS INTERNATIONAL

DESIGNED KATSUKI TAKAAKI	CHECKED KONDO MASAMI
-----------------------------	-------------------------

DATE : JUNE 2001 DWG. No. PD - ECSI - 259