

NO.	DATE	DESCRIPTIONS	BY	APRO.

REVISIONS

PROJECT MANAGEMENT UNIT FOR
HO CHI MINH CITY
WATER ENVIRONMENT IMPROVEMENT

THE DETAILED DESIGN ON HO CHI MINH CITY
WATER ENVIRONMENT IMPROVEMENT PROJECT
IN THE SOCIALIST REPUBLIC OF VIET NAM

PACKAGE D
EXISTING COMBINED SEWER IMPROVEMENT

CROSS SECTION OF ECSI - LINE 4 (1)

SCALE : 1 / 100

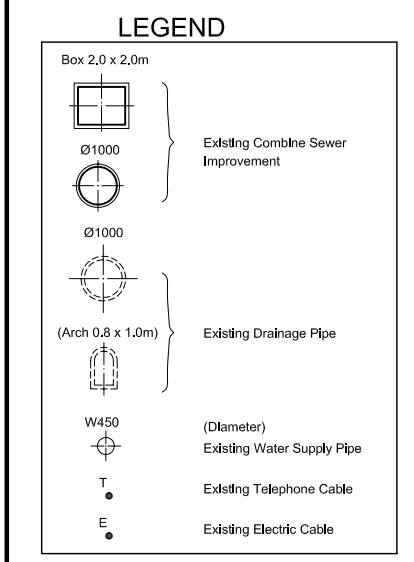
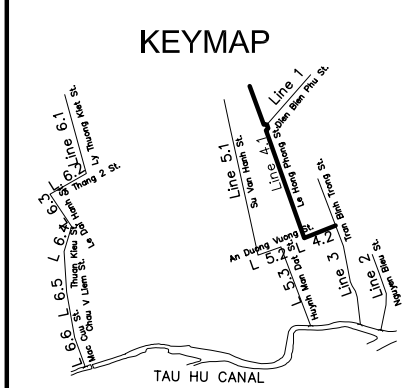
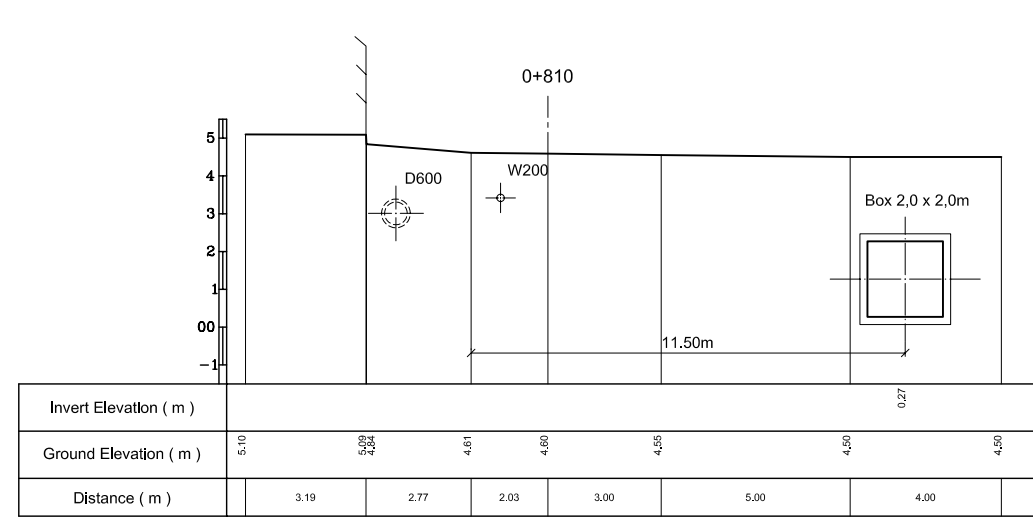
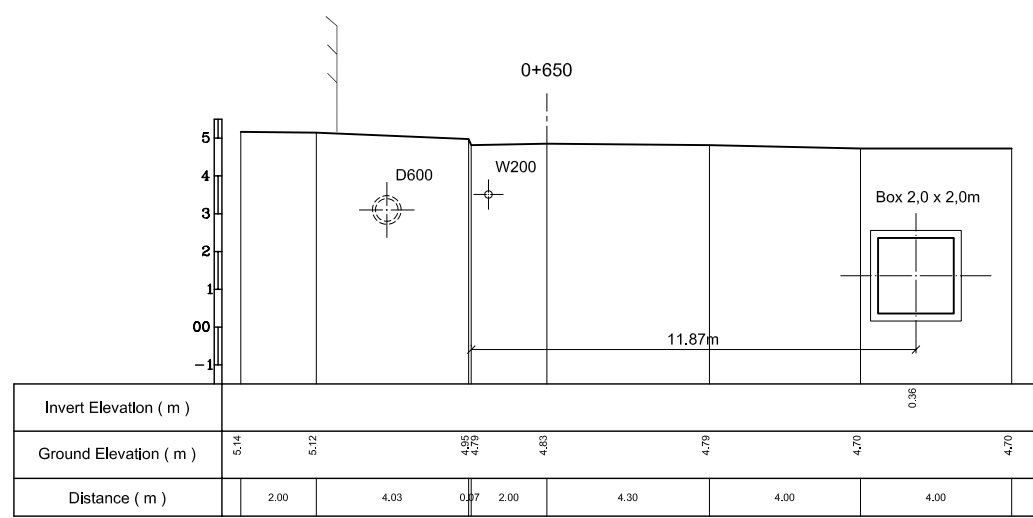
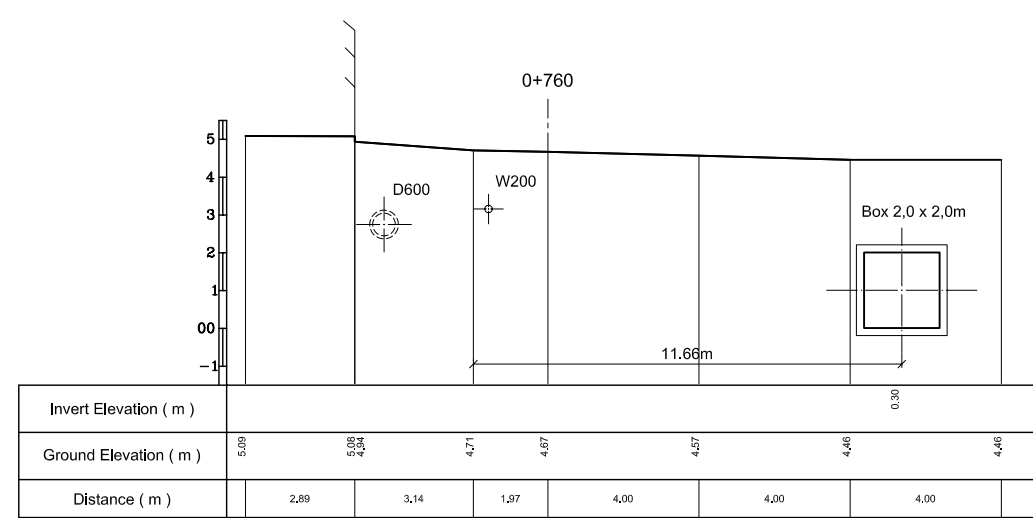
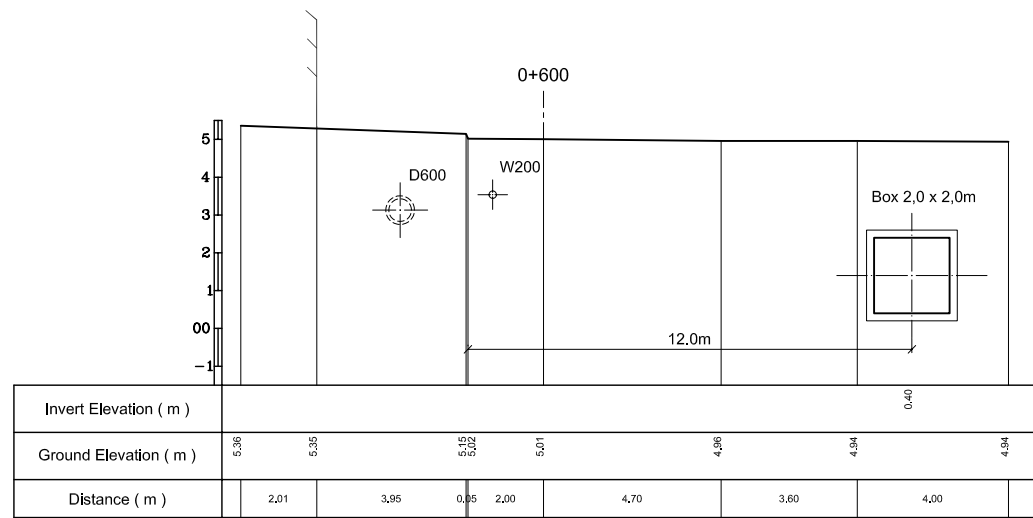
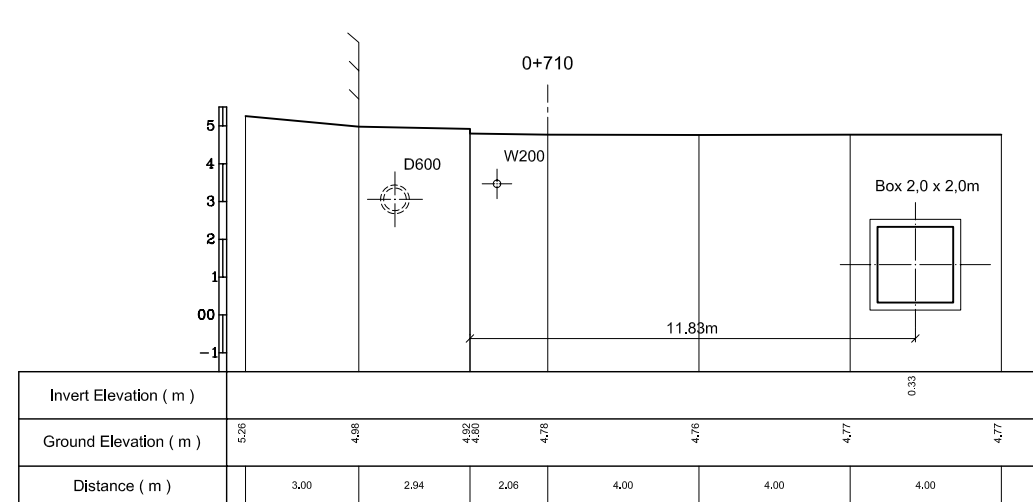
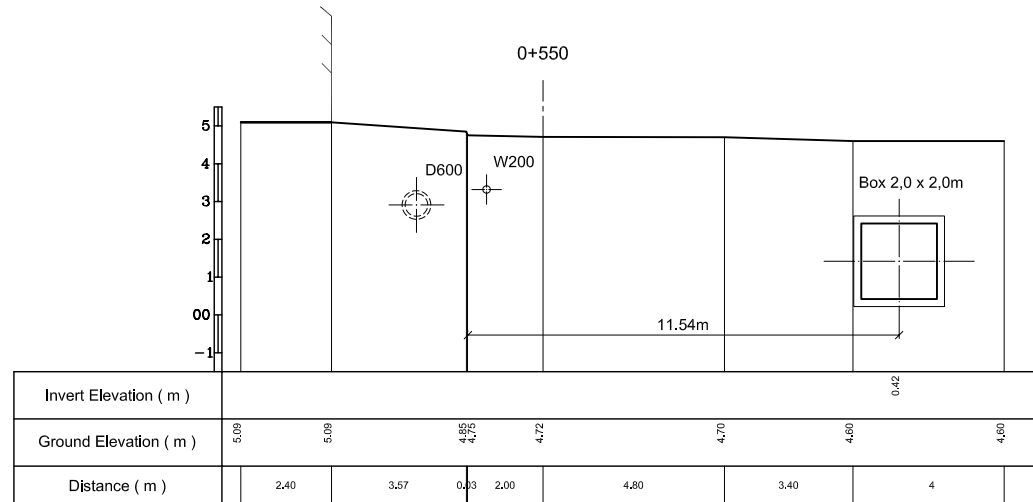
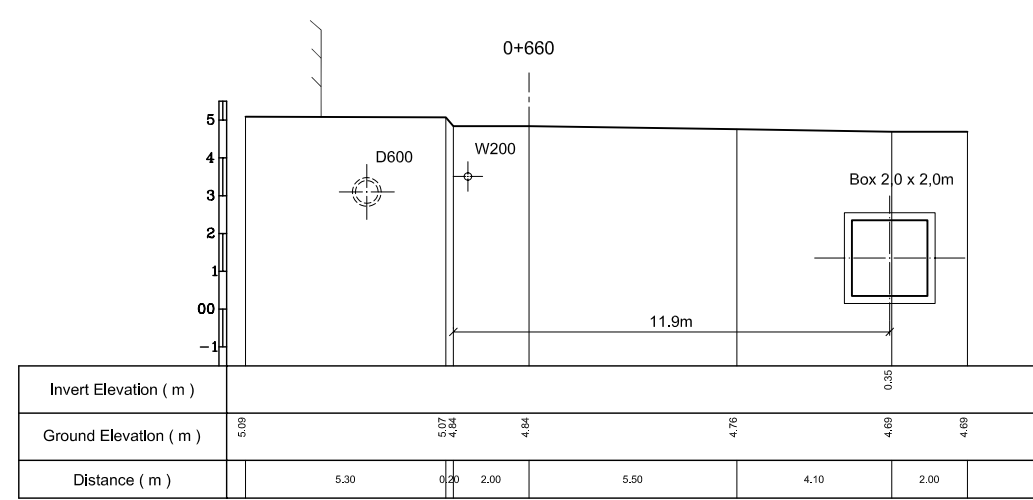
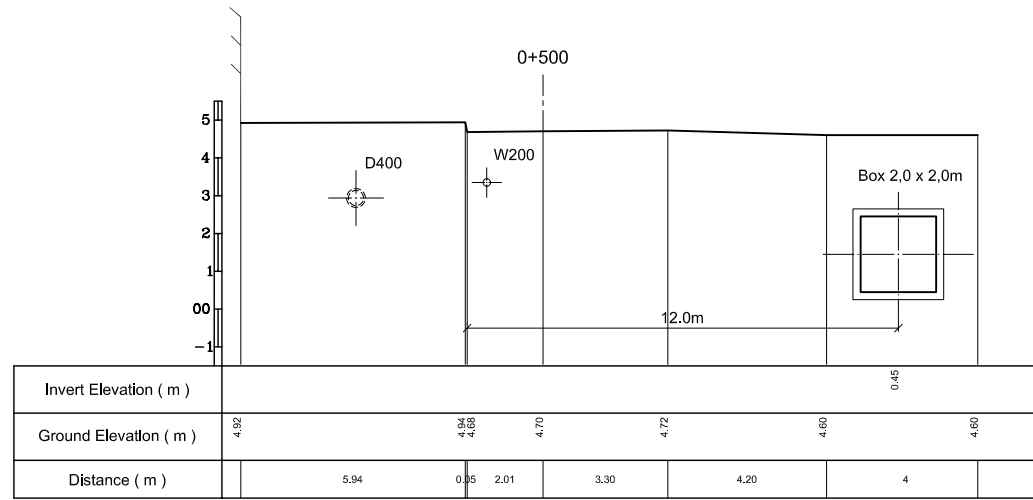
JICA JAPAN INTERNATIONAL COOPERATION
AGENCY (JICA)

PACIFIC CONSULTANTS INTERNATIONAL

DESIGNED
KATSUKI TAKAOKI

CHECKED
KONDO MASAMI

DATE : JUNE 2001 DWG. No. PD - ECSI - 246



NO.	DATE	DESCRIPTIONS	BY	APRO.

REVISIONS

PROJECT MANAGEMENT UNIT FOR
HO CHI MINH CITY
WATER ENVIRONMENT IMPROVEMENT

THE DETAILED DESIGN ON HO CHI MINH CITY
WATER ENVIRONMENT IMPROVEMENT PROJECT
IN THE SOCIALIST REPUBLIC OF VIET NAM

PACKAGE D
EXISTING COMBINED SEWER IMPROVEMENT

CROSS SECTION
OF ECSI - LINE 4 (2)

SCALE : 1 / 100

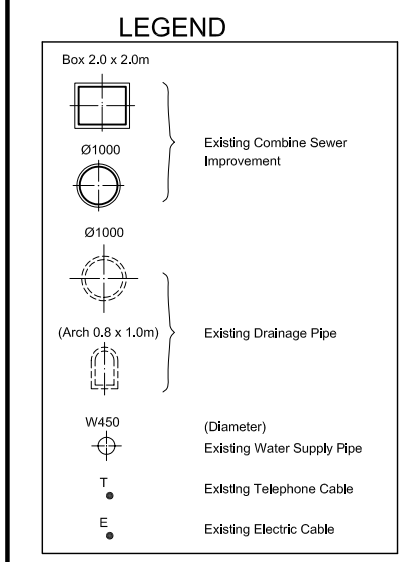
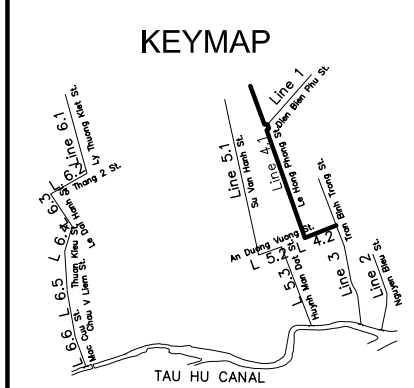
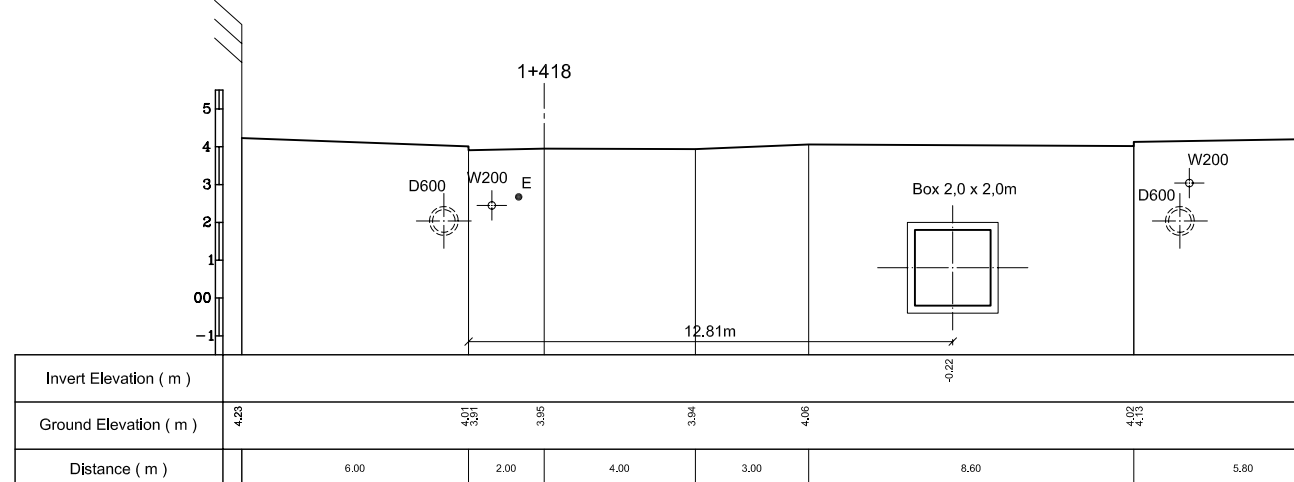
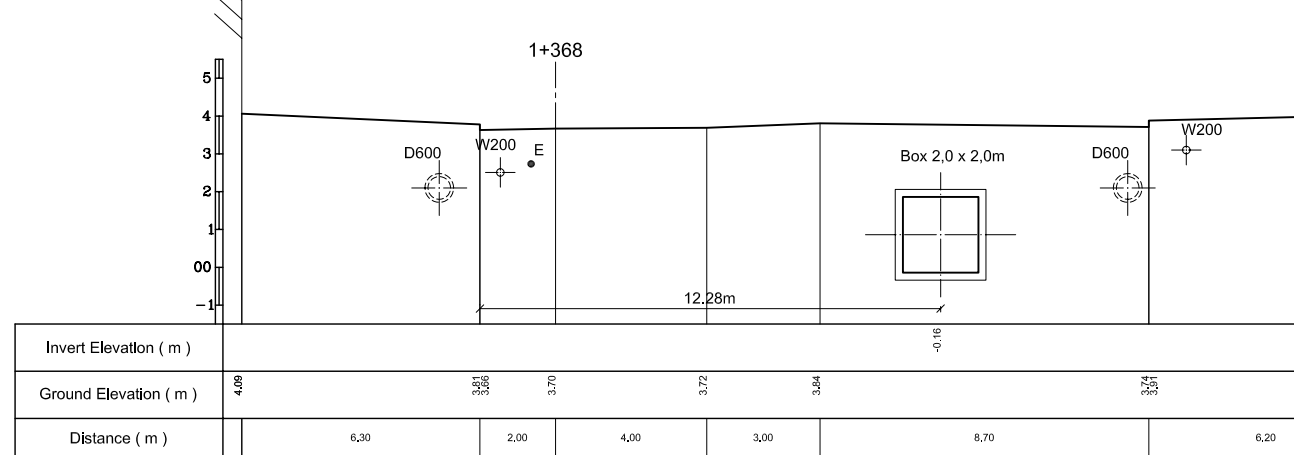
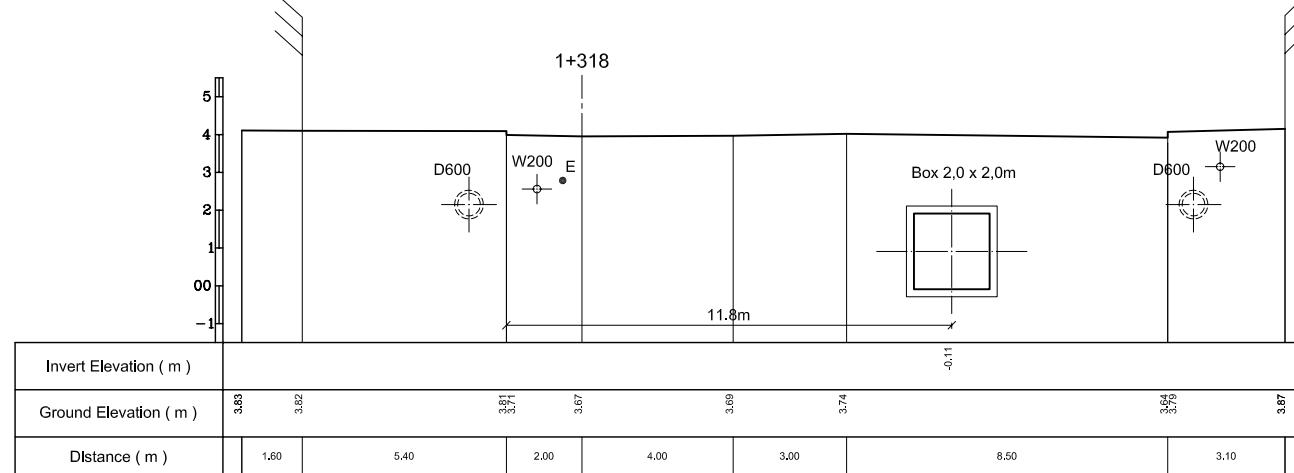
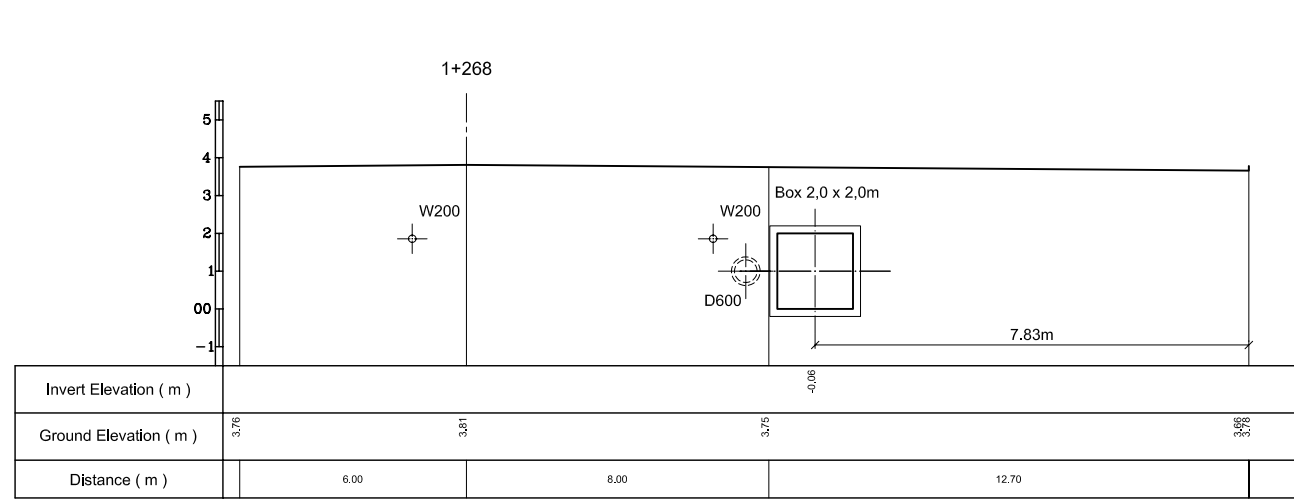
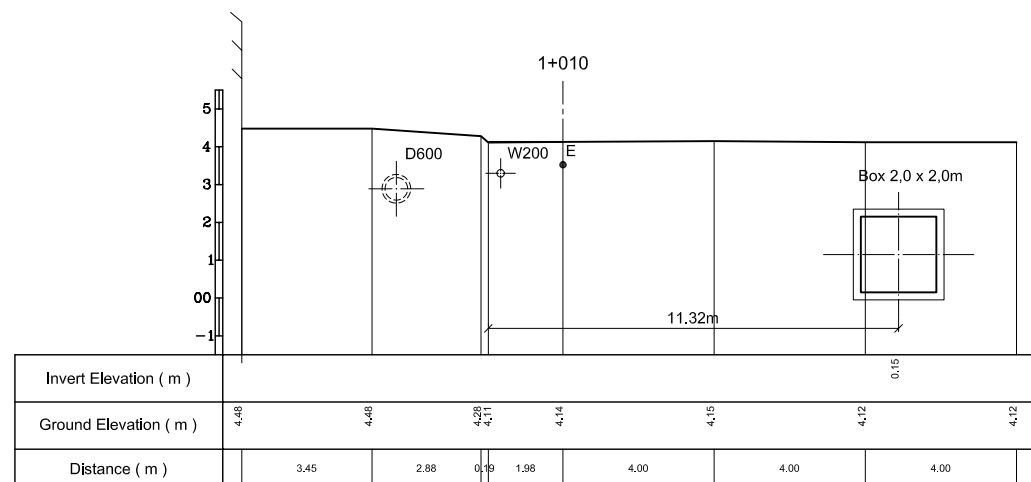
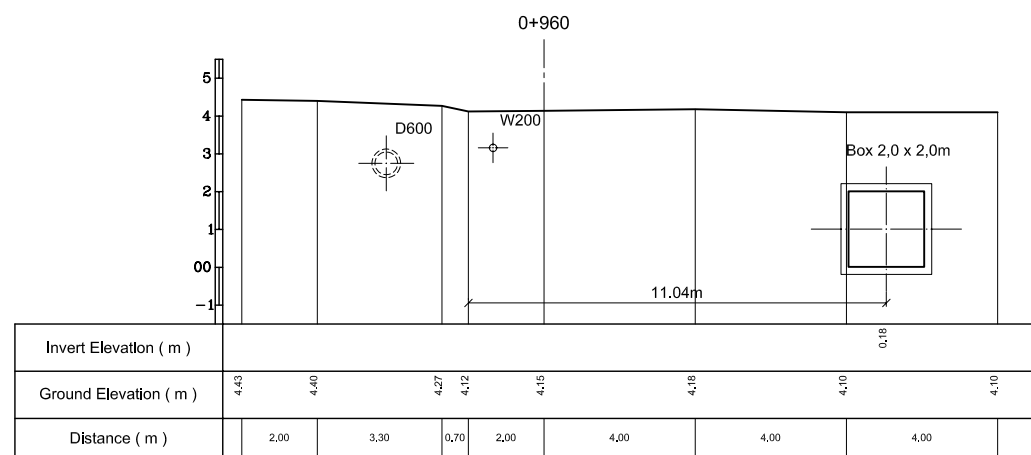
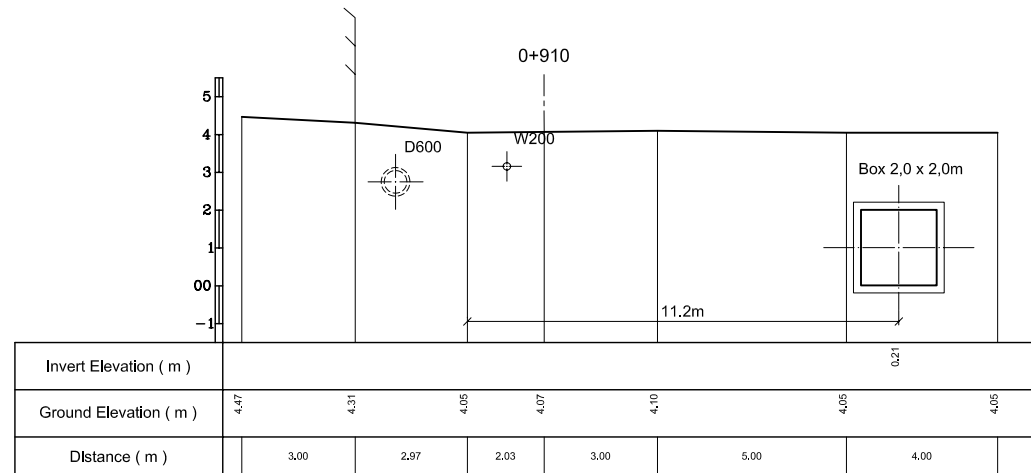
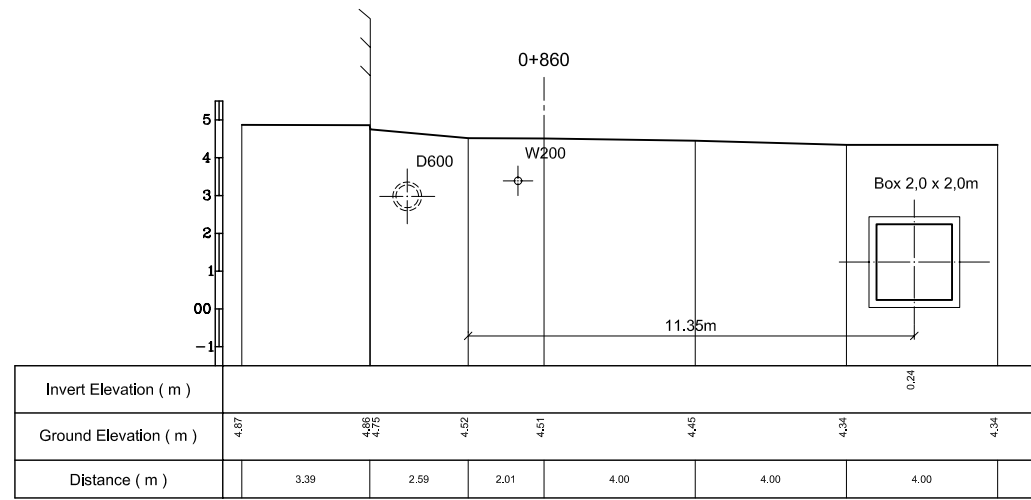
JICA JAPAN INTERNATIONAL COOPERATION
AGENCY (JICA)

PACIFIC CONSULTANTS INTERNATIONAL

DESIGNED
KATSUKI TAKAAKI

CHECKED
KONDO MASAMI

DATE : JUNE 2001 DWG. No. PD - ECSI - 247



NO.	DATE	DESCRIPTIONS	BY	APRO.

REVISIONS

PROJECT MANAGEMENT UNIT FOR
HO CHI MINH CITY
WATER ENVIRONMENT IMPROVEMENT

THE DETAILED DESIGN ON HO CHI MINH CITY
WATER ENVIRONMENT IMPROVEMENT PROJECT
IN THE SOCIALIST REPUBLIC OF VIET NAM

PACKAGE D
EXISTING COMBINED SEWER IMPROVEMENT

CROSS SECTION OF ECSI - LINE 4 (3)

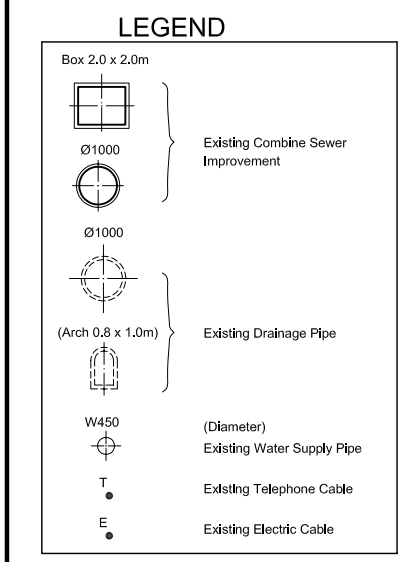
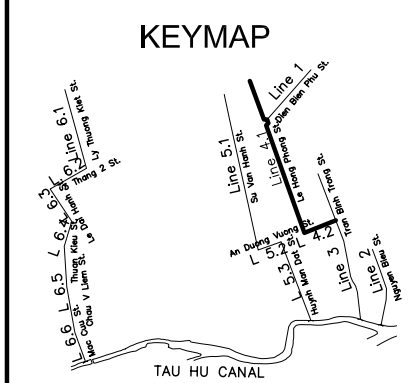
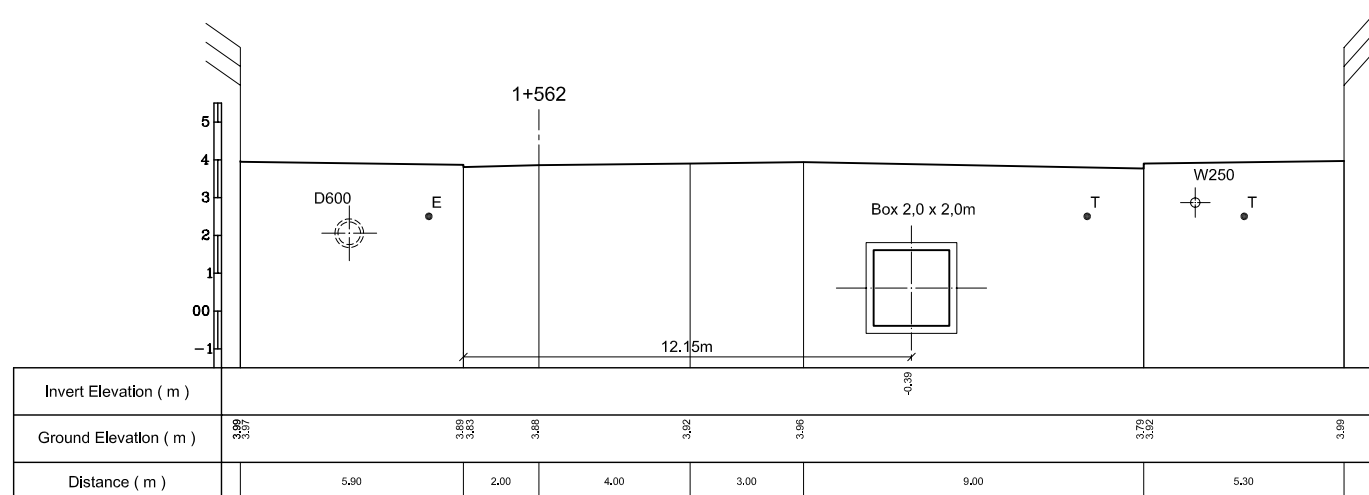
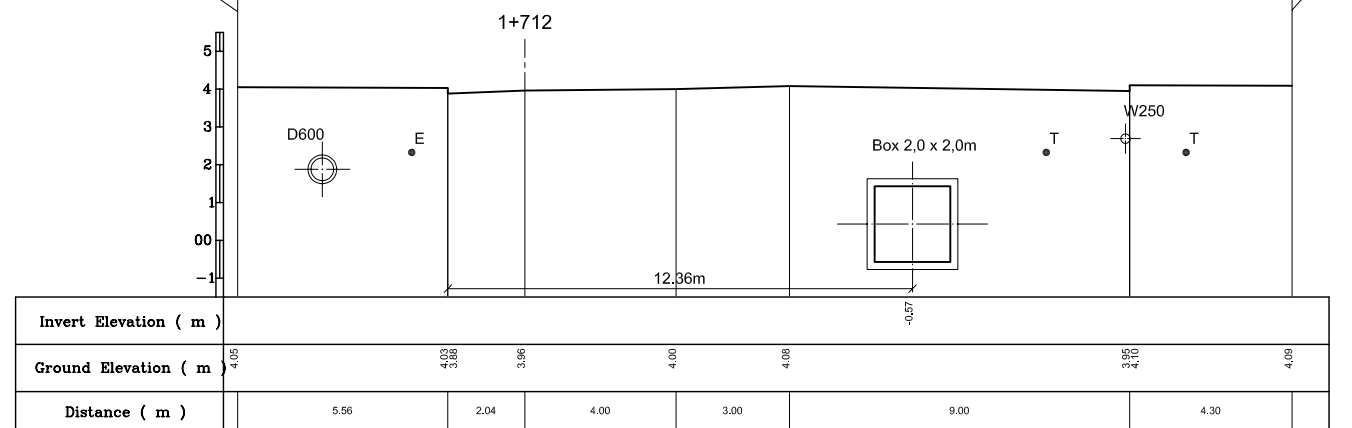
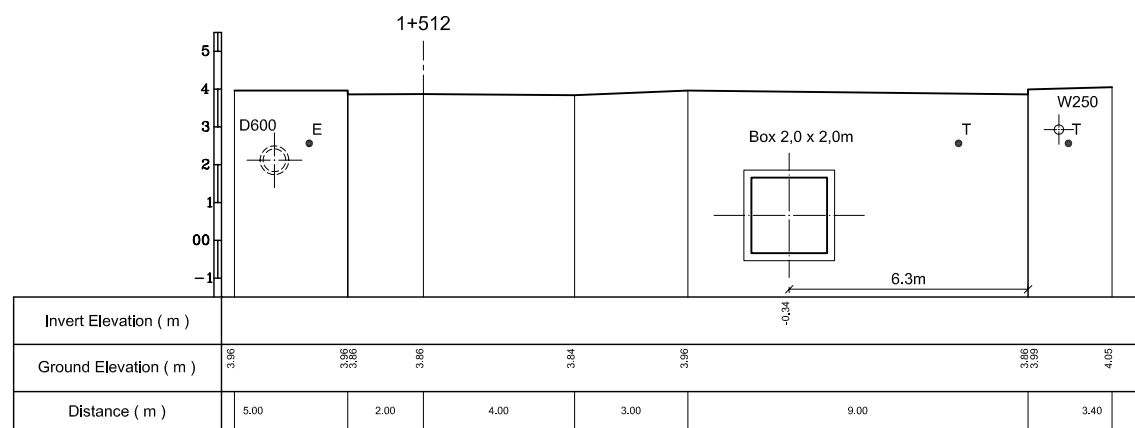
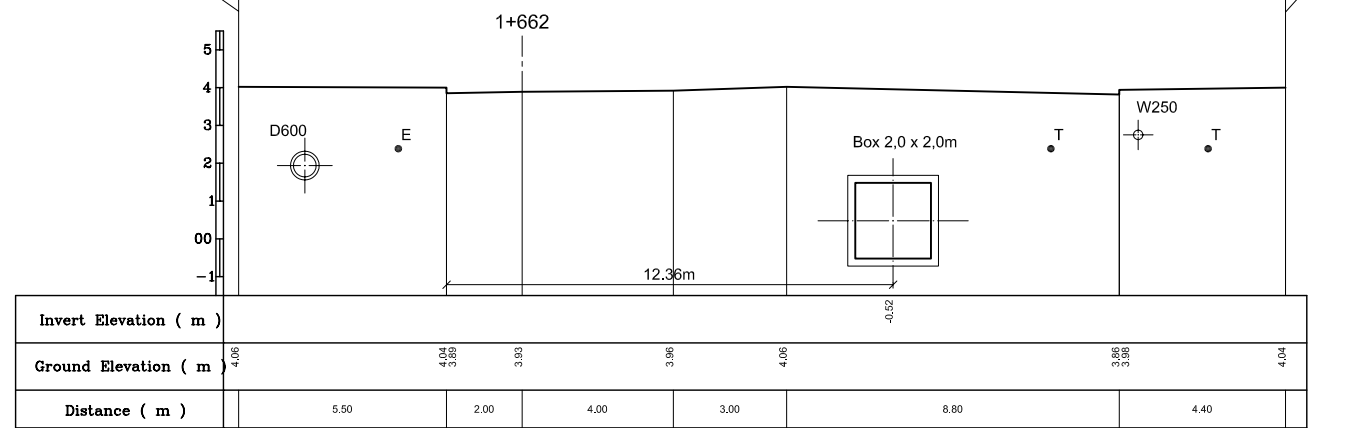
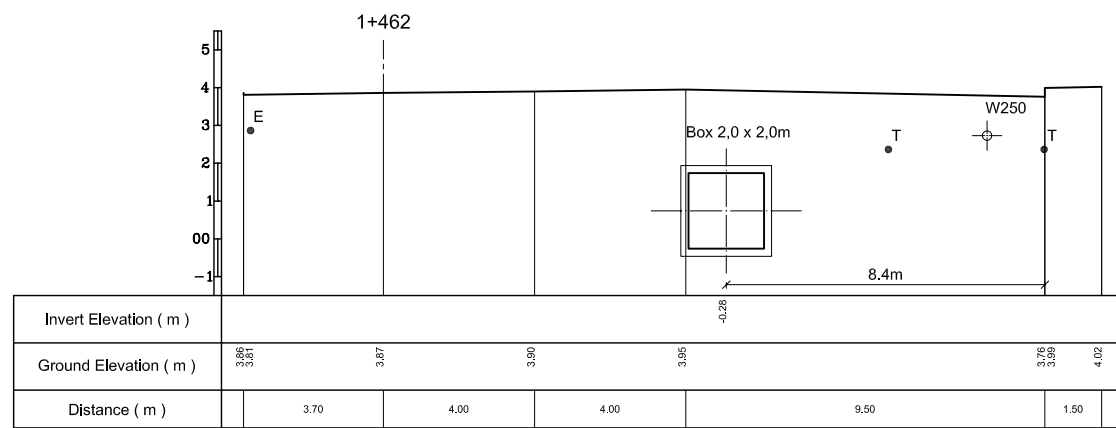
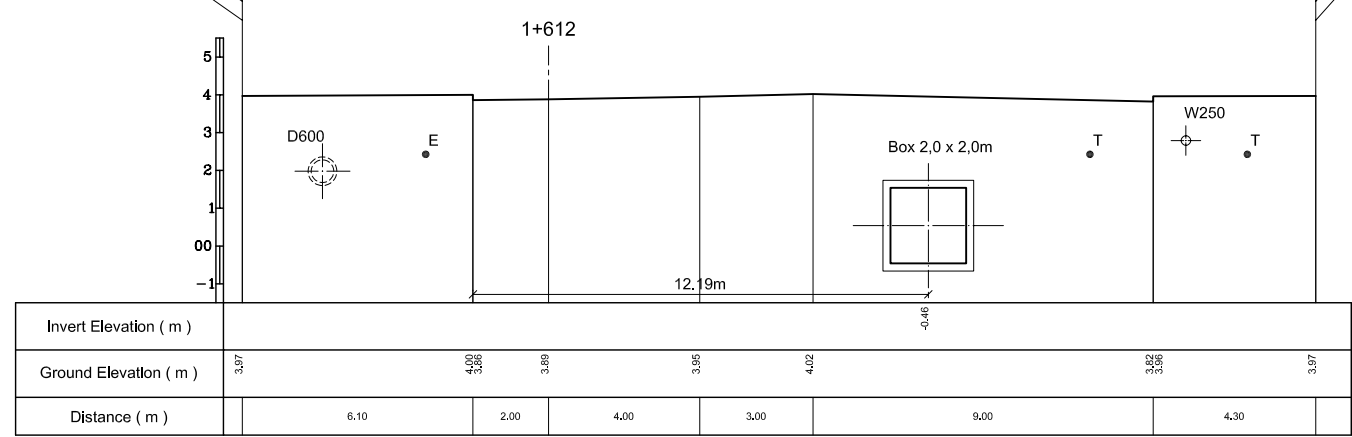
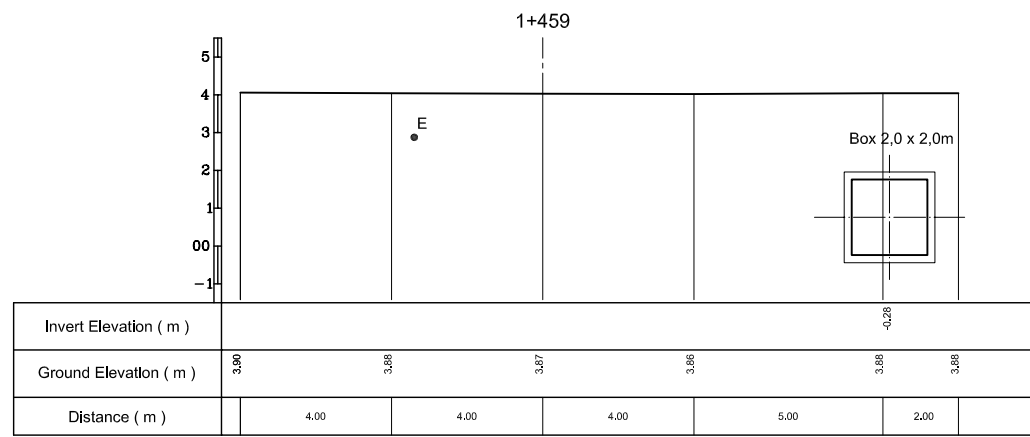
SCALE : 1 / 100

JICA JAPAN INTERNATIONAL COOPERATION
AGENCY (JICA)

PACIFIC CONSULTANTS INTERNATIONAL

DESIGNED KATSUKI TAKAAKI	CHECKED KONDO MASAMI
-----------------------------	-------------------------

DATE : JUNE 2001 DWG. No. PD - ECSI - 248



NO.	DATE	DESCRIPTIONS	BY	APRO.

REVISIONS

PROJECT MANAGEMENT UNIT FOR
HO CHI MINH CITY
WATER ENVIRONMENT IMPROVEMENT

THE DETAILED DESIGN ON HO CHI MINH CITY
WATER ENVIRONMENT IMPROVEMENT PROJECT
IN THE SOCIALIST REPUBLIC OF VIET NAM

PACKAGE D
EXISTING COMBINED SEWER IMPROVEMENT

**CROSS SECTION
OF ECSI - LINE 4 (4)**

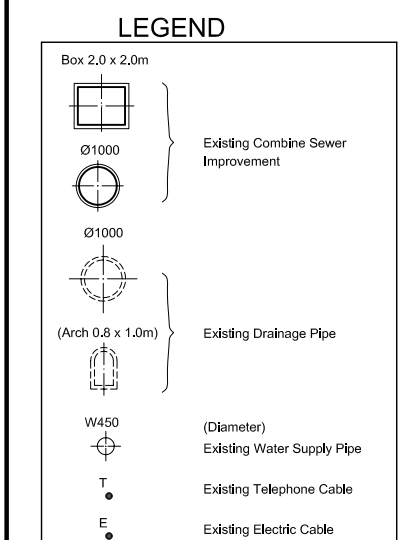
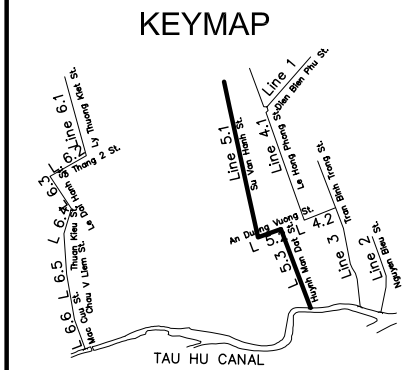
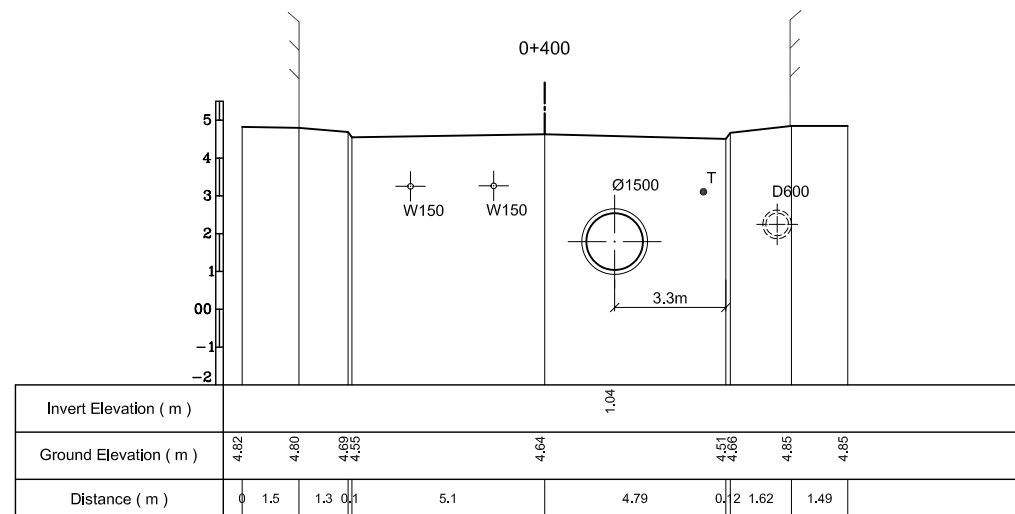
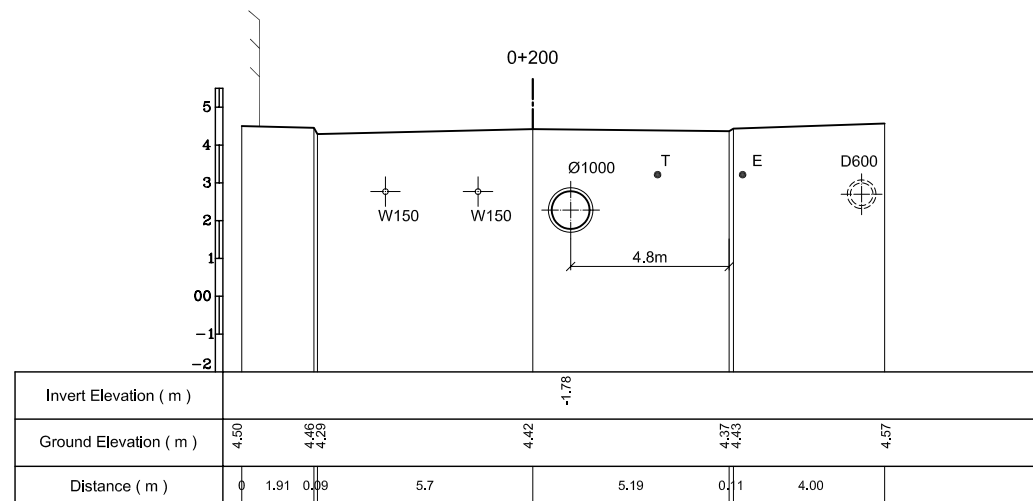
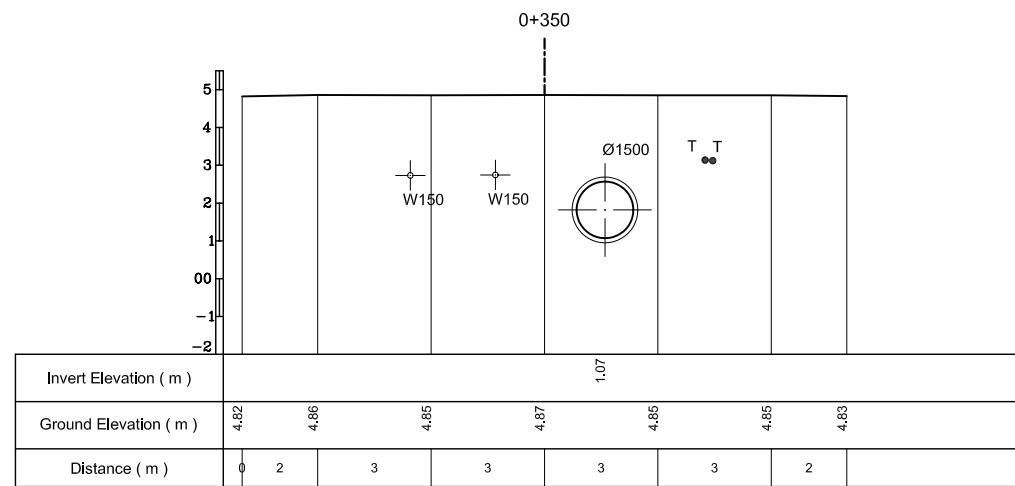
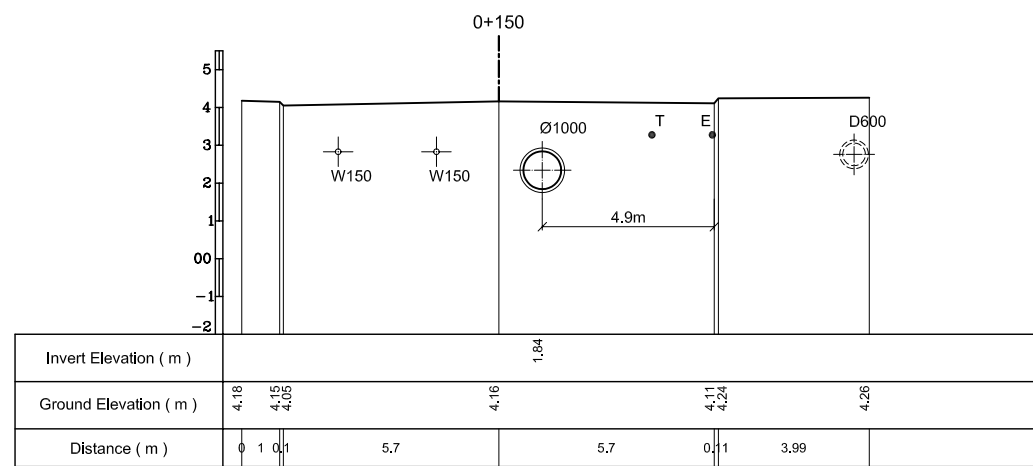
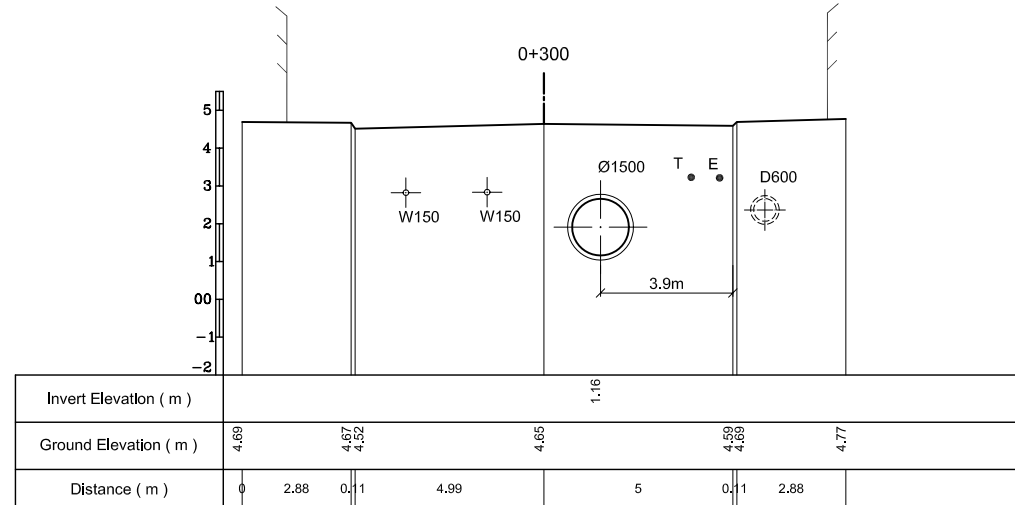
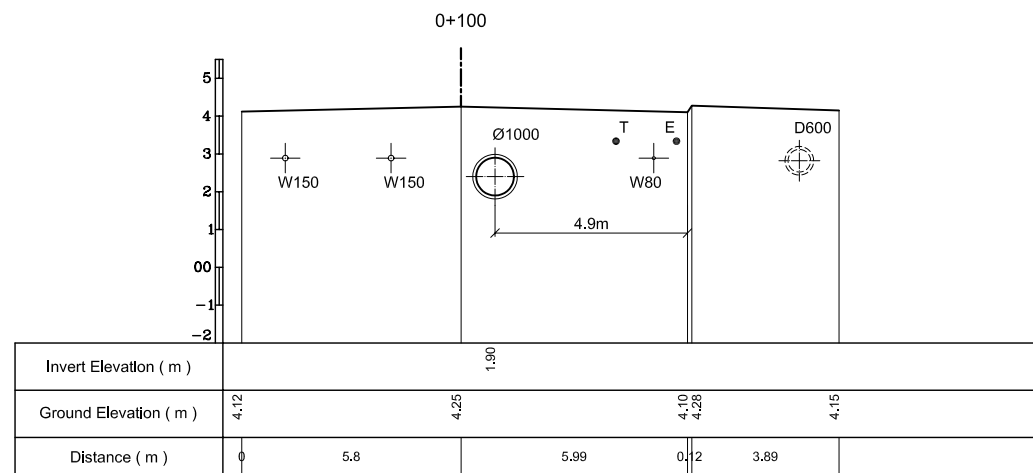
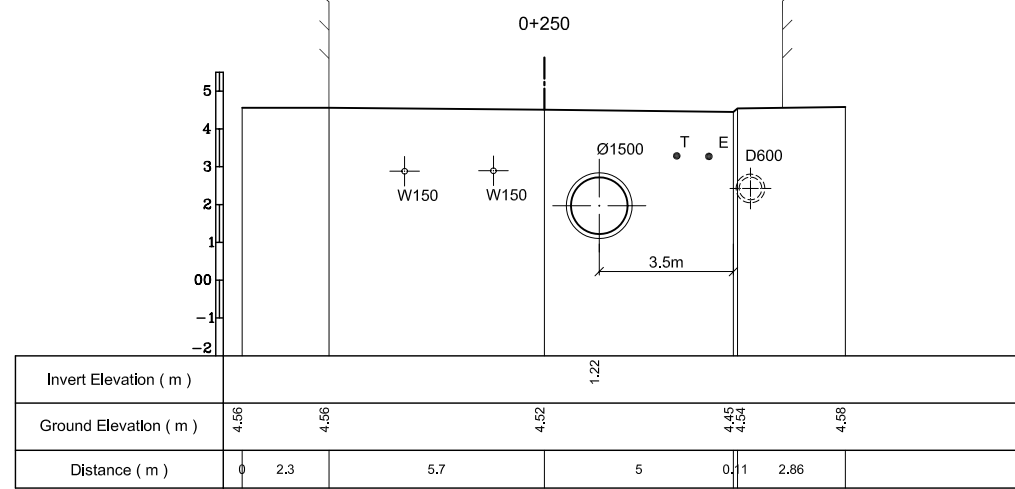
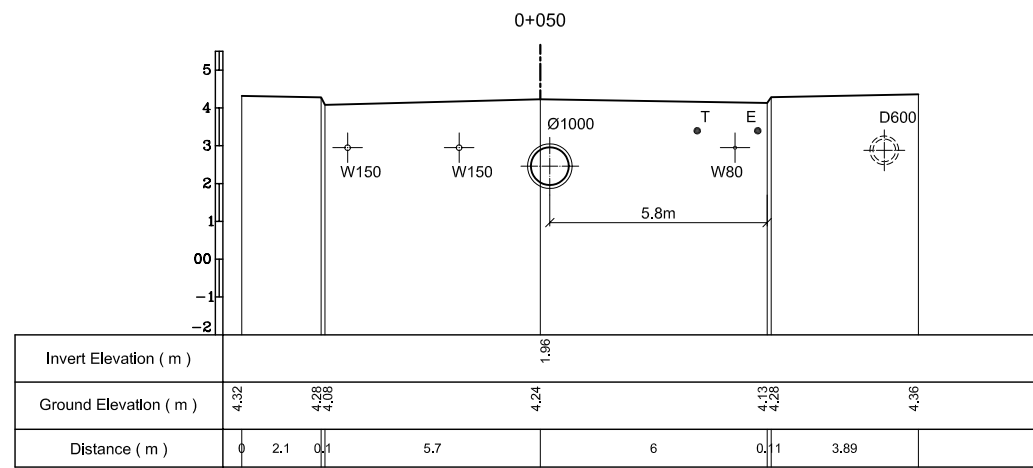
SCALE : 1 / 100

JICA JAPAN INTERNATIONAL COOPERATION AGENCY (JICA)

PACIFIC CONSULTANTS INTERNATIONAL

DESIGNED KATSUKI TAKAAKI	CHECKED KONDO MASAMI
-----------------------------	-------------------------

DATE : JUNE 2001 DWG. No. PD - ECSI - 249



NO.	DATE	DESCRIPTIONS	BY	APRO.

REVISIONS

PROJECT MANAGEMENT UNIT FOR
HO CHI MINH CITY
WATER ENVIRONMENT IMPROVEMENT

THE DETAILED DESIGN ON HO CHI MINH CITY
WATER ENVIRONMENT IMPROVEMENT PROJECT
IN THE SOCIALIST REPUBLIC OF VIET NAM

PACKAGE D
EXISTING COMBINED SEWER IMPROVEMENT

CROSS SECTION OF ECSI - LINE 5 (1)

SCALE : 1 / 100

JICA JAPAN INTERNATIONAL COOPERATION
AGENCY (JICA)

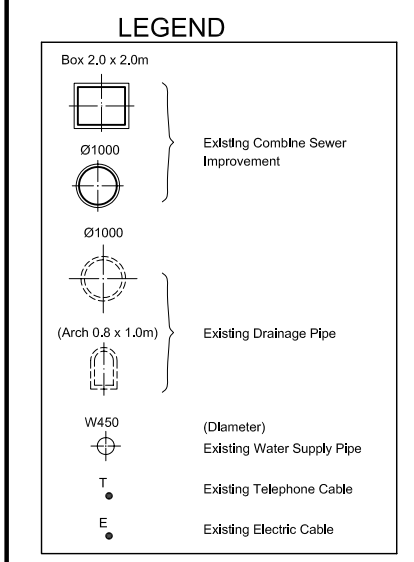
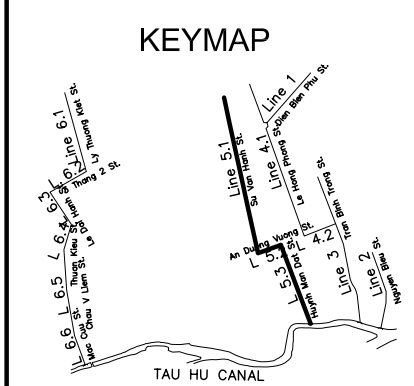
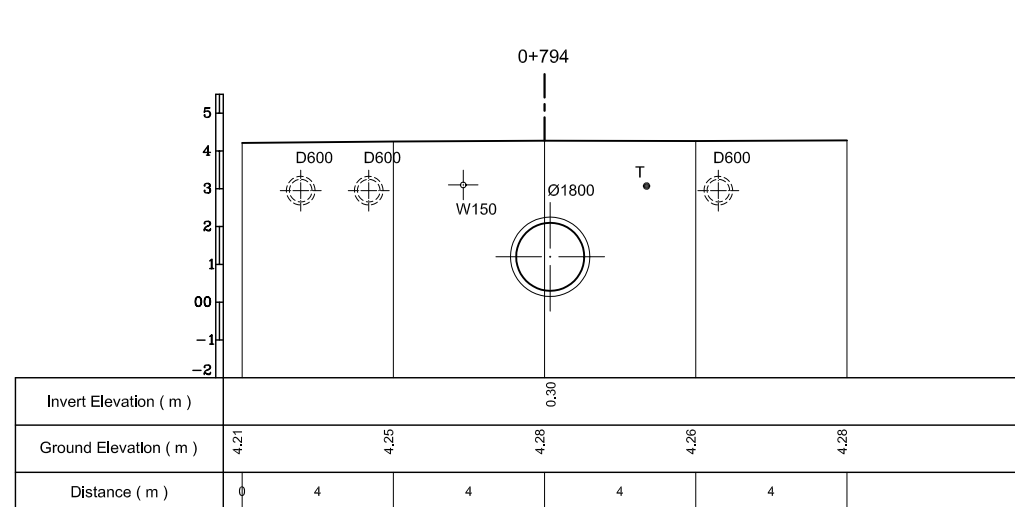
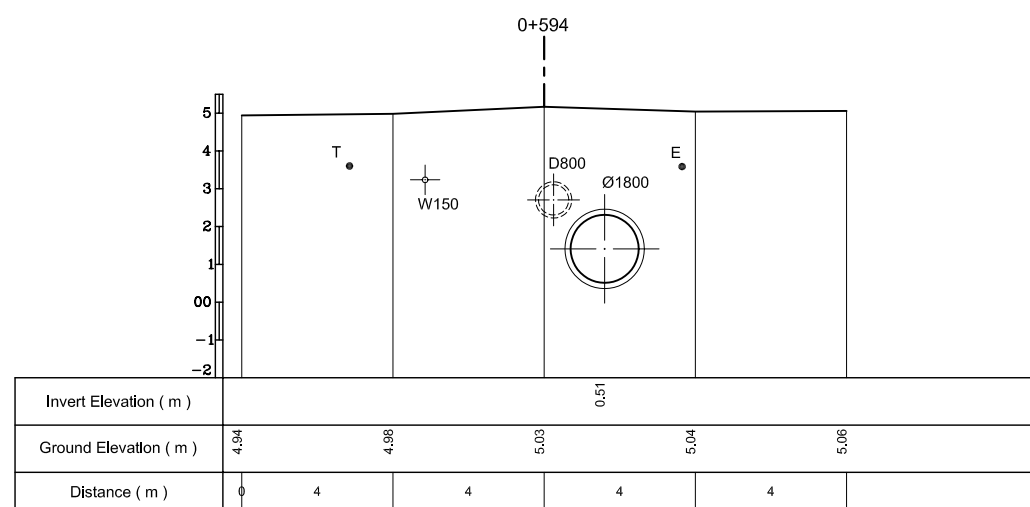
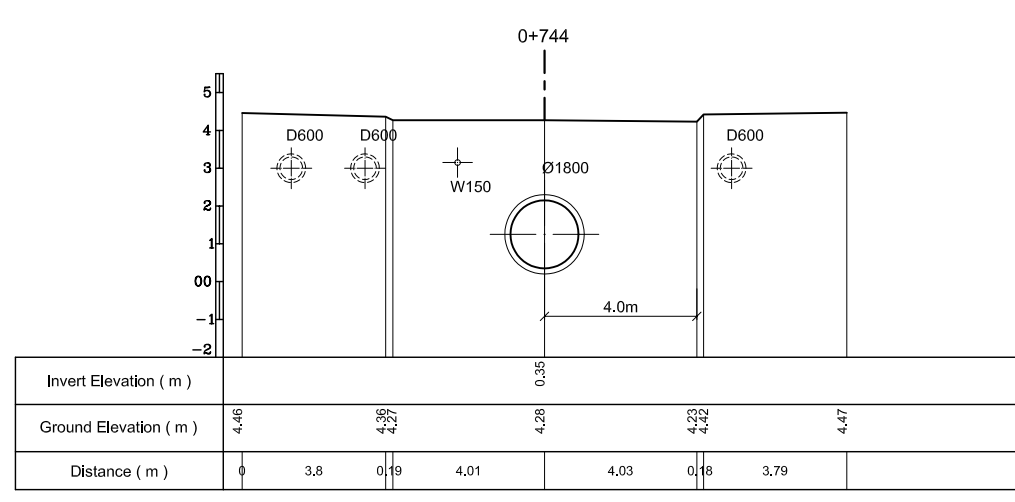
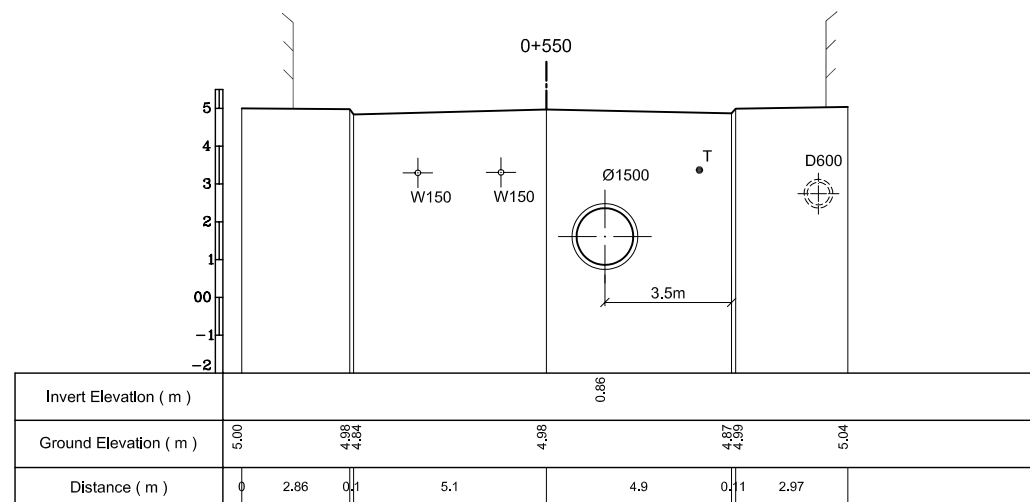
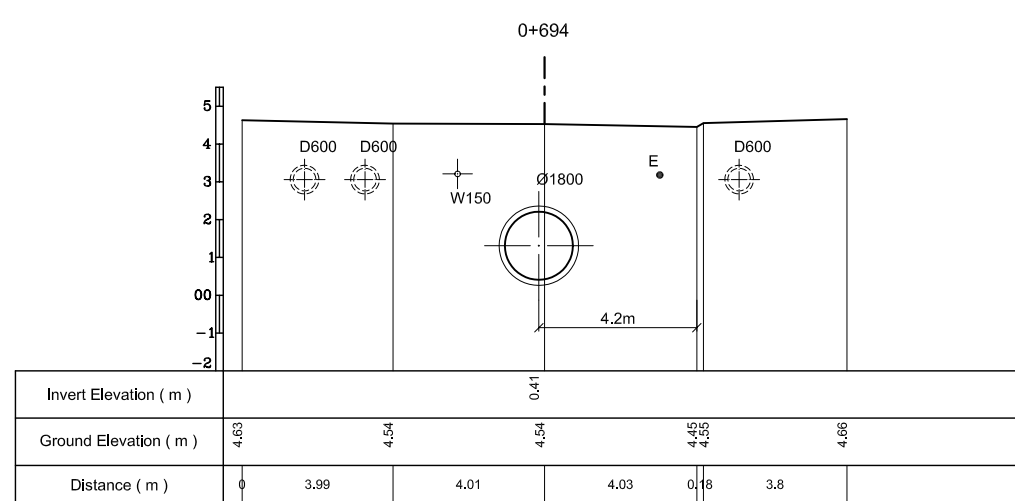
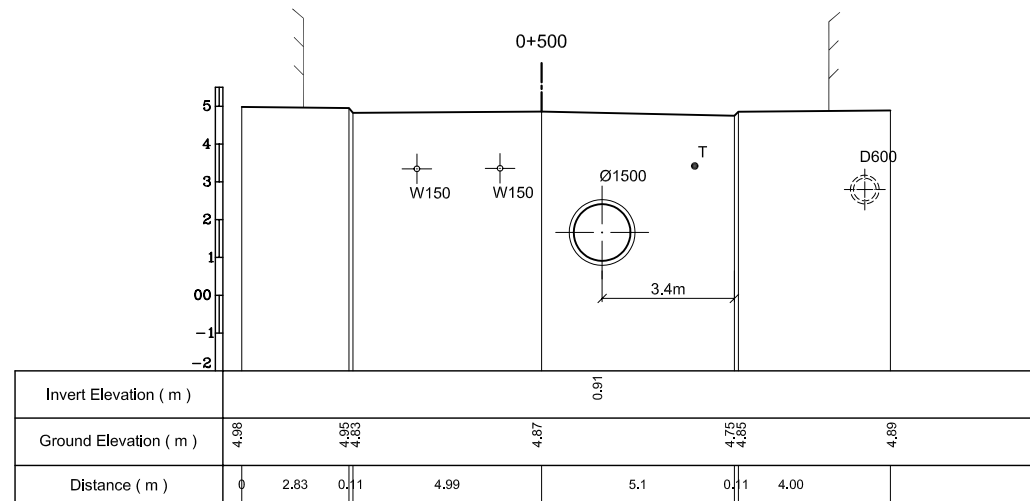
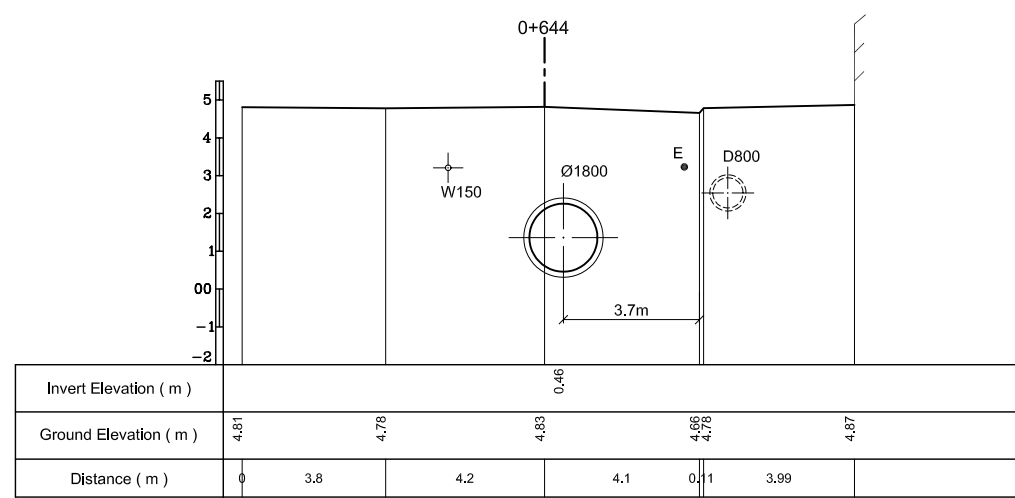
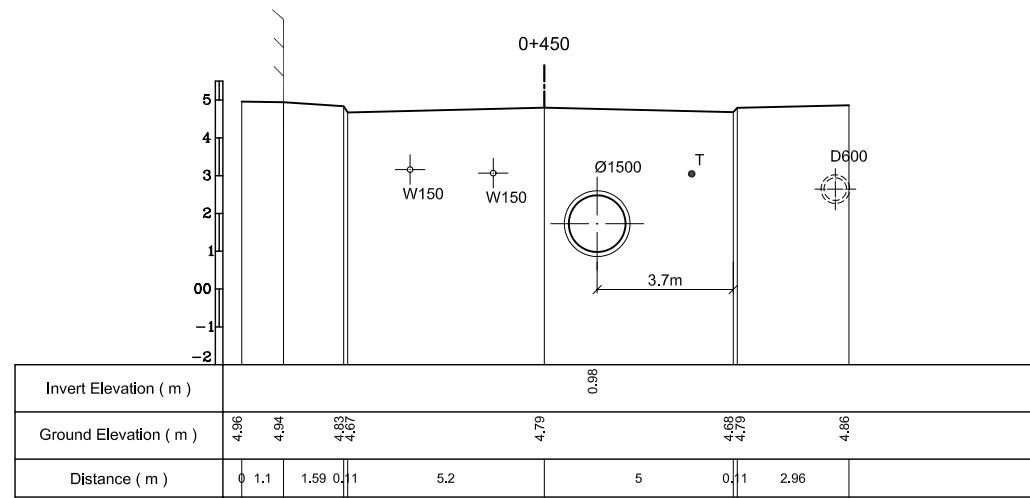
PACIFIC CONSULTANTS INTERNATIONAL

DESIGNED
KATSUKI TAKAAKI

CHECKED
KONDO MASAMI

DATE : JUNE 2001

DWG. No. PD - ECSI - 250



NO.	DATE	DESCRIPTIONS	BY	APRO.

REVISIONS

PROJECT MANAGEMENT UNIT FOR
HO CHI MINH CITY
WATER ENVIRONMENT IMPROVEMENT

THE DETAILED DESIGN ON HO CHI MINH CITY
WATER ENVIRONMENT IMPROVEMENT PROJECT
IN THE SOCIALIST REPUBLIC OF VIET NAM

PACKAGE D
EXISTING COMBINED SEWER IMPROVEMENT

**CROSS SECTION
OF ECSI - LINE 5 (2)**

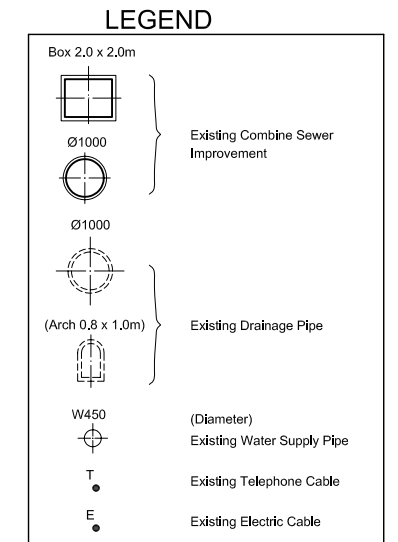
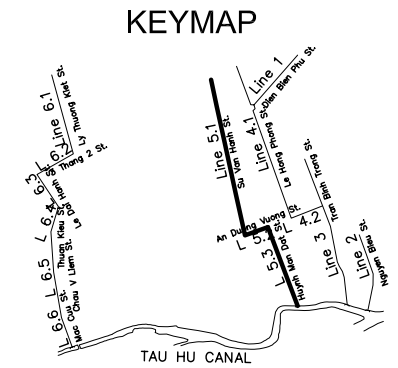
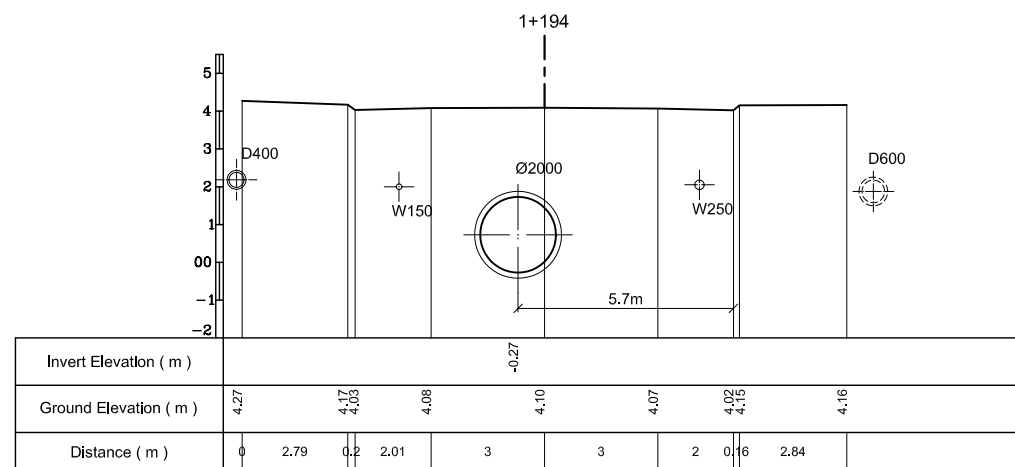
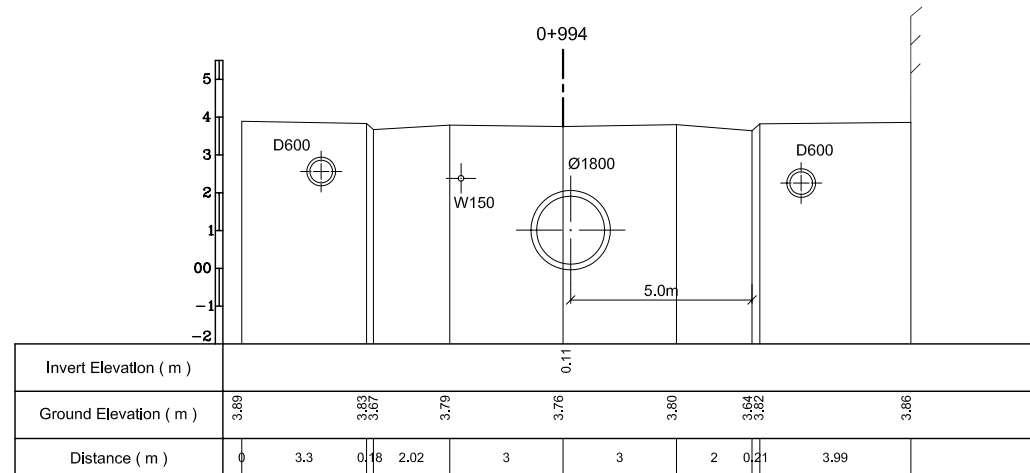
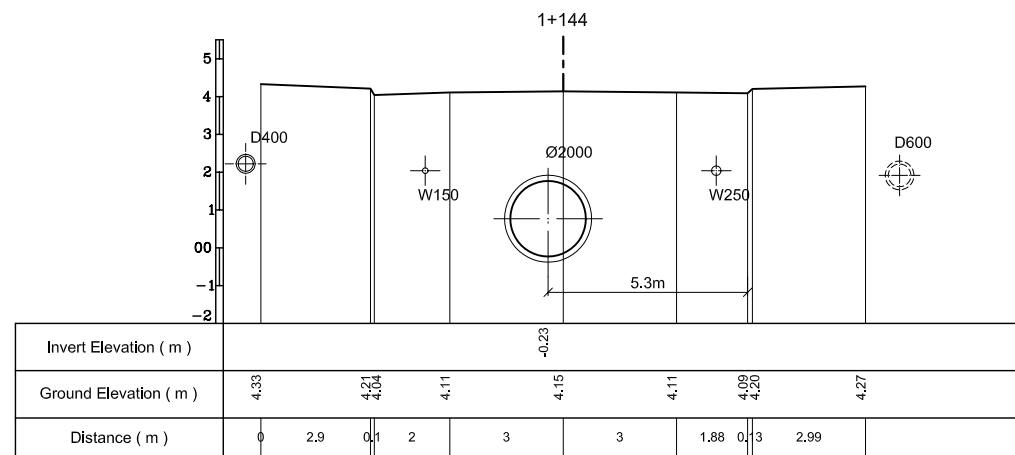
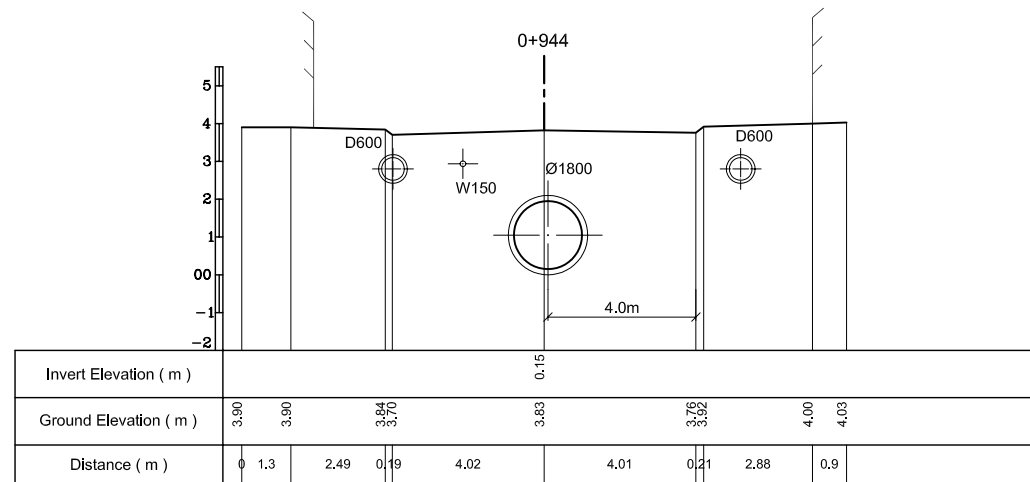
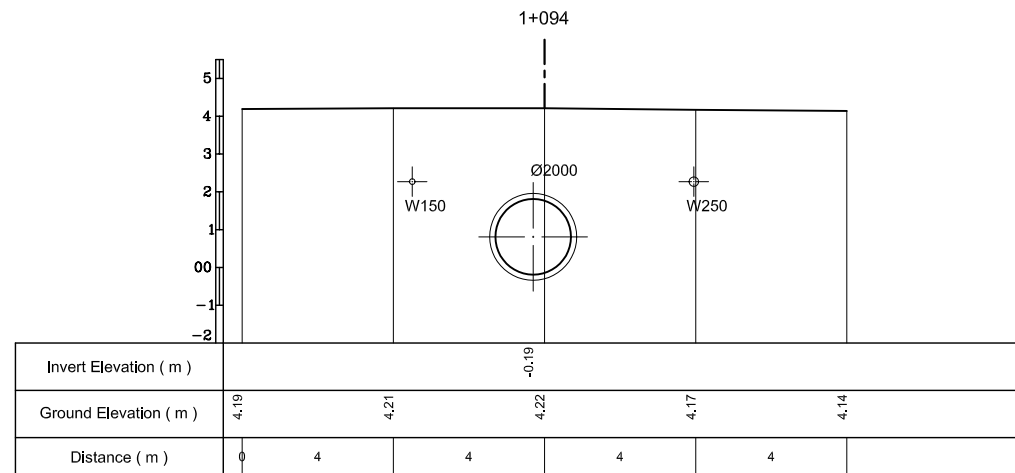
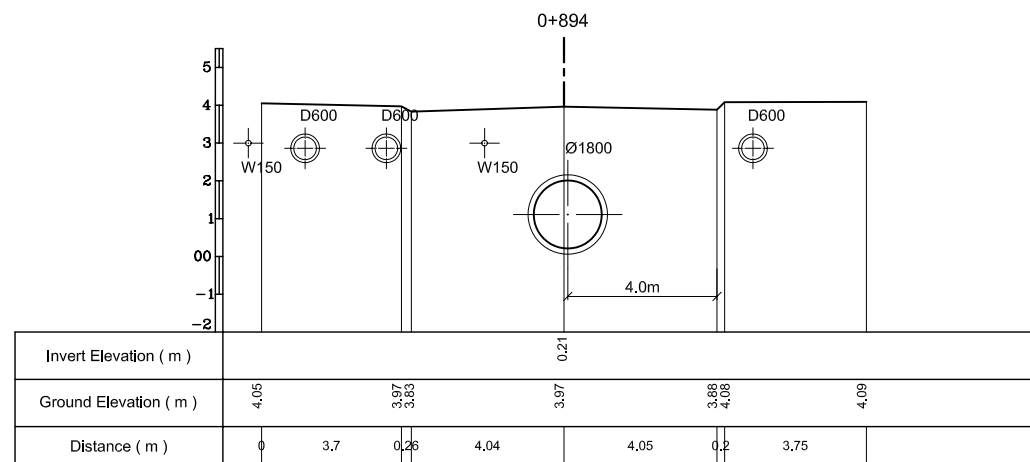
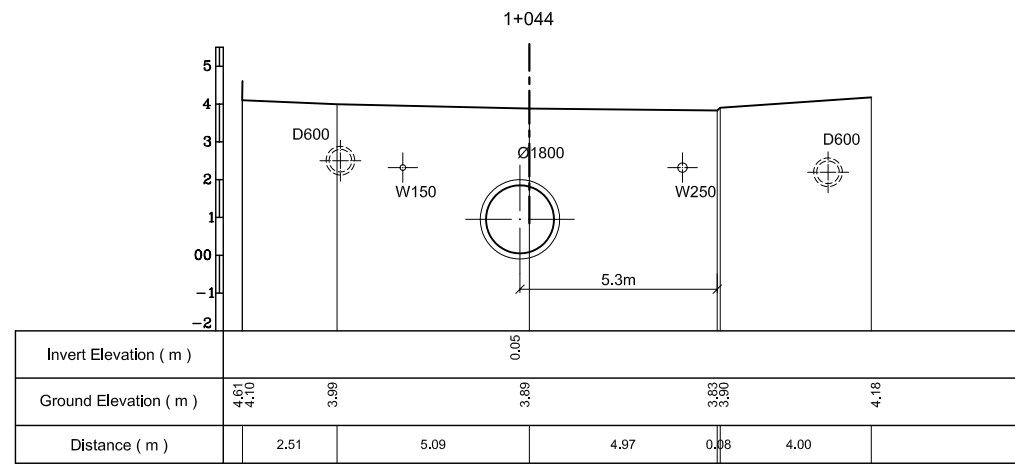
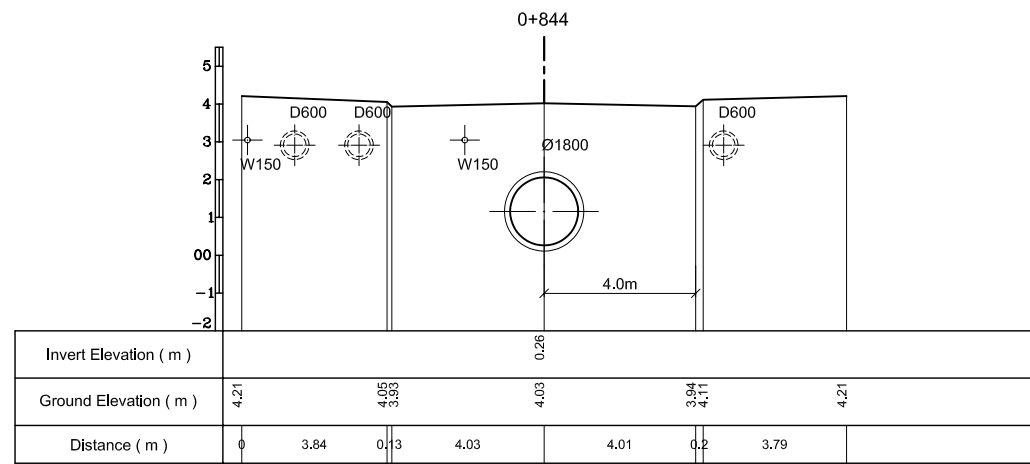
SCALE : 1 / 100

JICA JAPAN INTERNATIONAL COOPERATION AGENCY (JICA)

PACIFIC CONSULTANTS INTERNATIONAL

DESIGNED KATSUKI TAKAAKI	CHECKED KONDO MASAMI
-----------------------------	-------------------------

DATE : JUNE 2001 DWG. No. PD - ECSI - 251



NO.	DATE	DESCRIPTIONS	BY	APRO.

REVISIONS

PROJECT MANAGEMENT UNIT FOR
HO CHI MINH CITY
WATER ENVIRONMENT IMPROVEMENT

THE DETAILED DESIGN ON HO CHI MINH CITY
WATER ENVIRONMENT IMPROVEMENT PROJECT
IN THE SOCIALIST REPUBLIC OF VIET NAM

PACKAGE D
EXISTING COMBINED SEWER IMPROVEMENT

CROSS SECTION
OF ECSI - LINE 5 (3)

SCALE : 1 / 100

JICA JAPAN INTERNATIONAL COOPERATION
AGENCY (JICA)

PACIFIC CONSULTANTS INTERNATIONAL

DESIGNED KATSUKI TAKAAKI
CHECKED KONDO MASAMI

DATE : JUNE 2001 DWG. No. PD - ECSI - 252