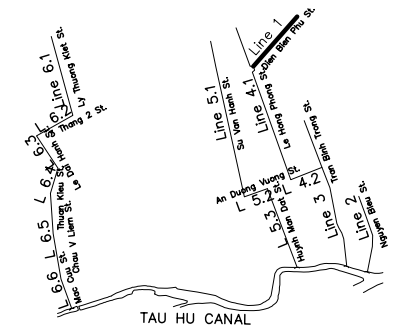
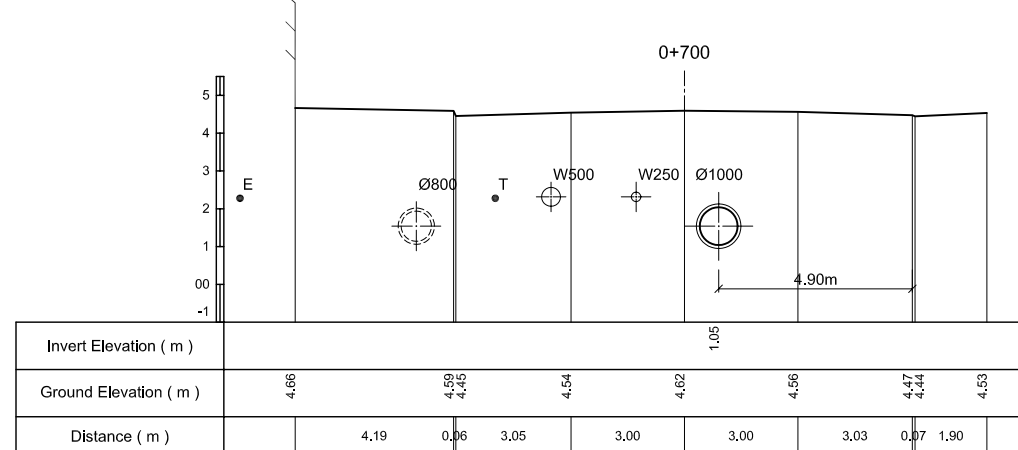
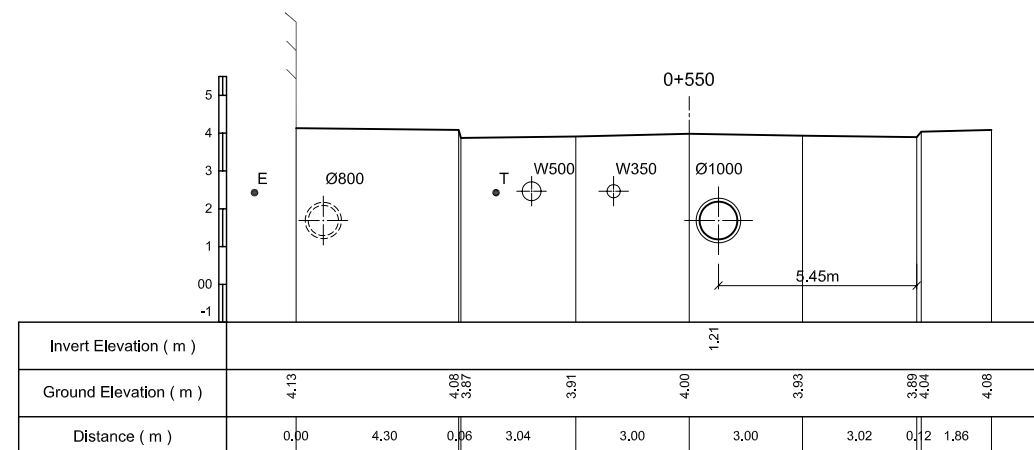
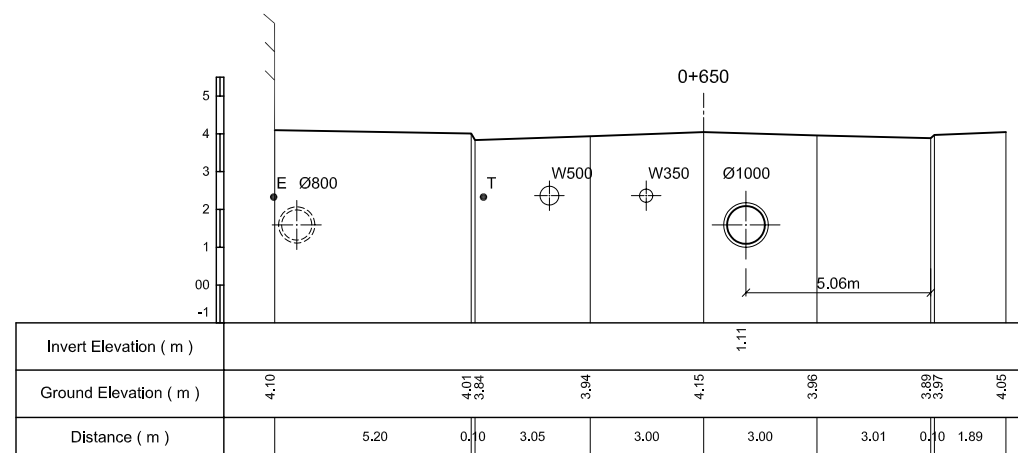
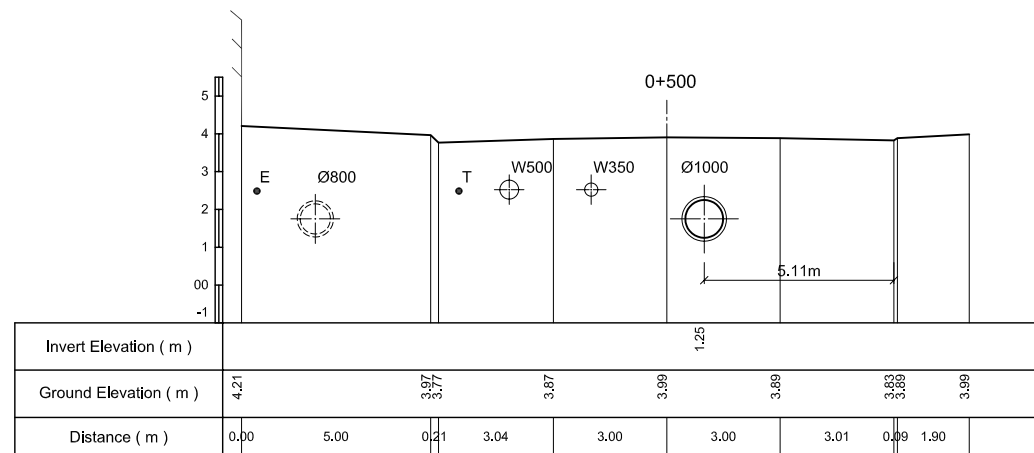
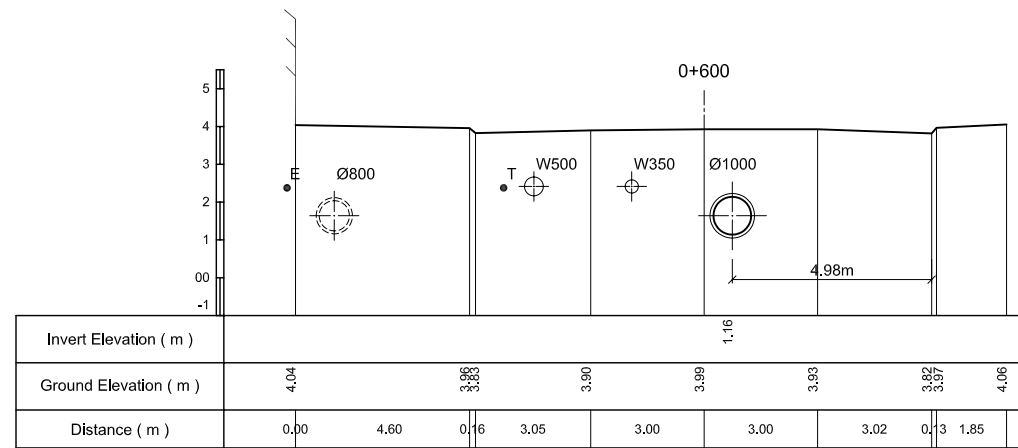
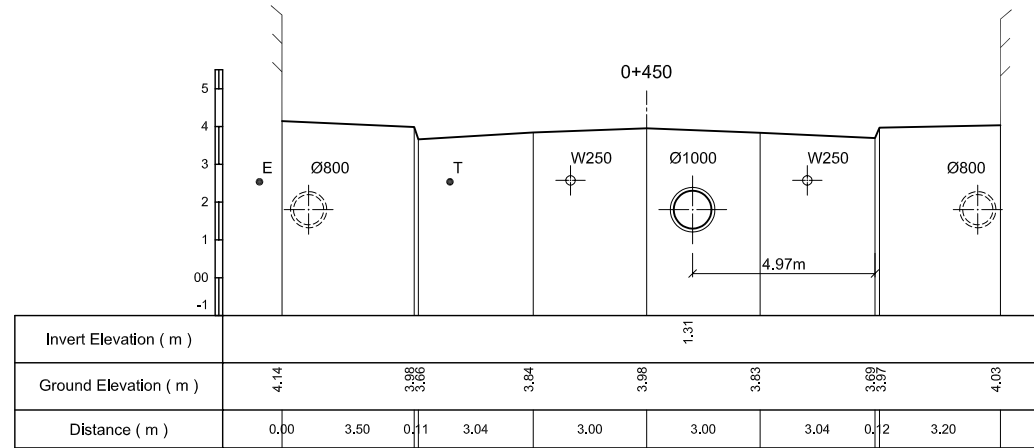
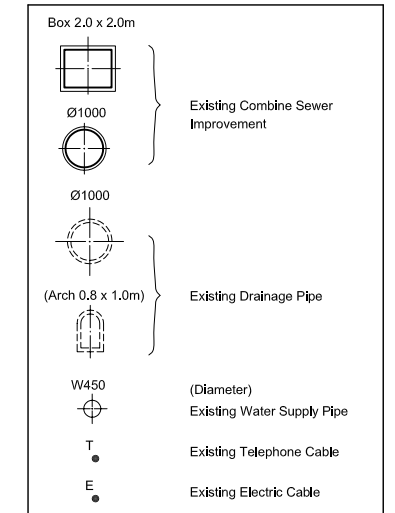


KEYMAP



LEGEND



NO.	DATE	DESCRIPTIONS	BY	APRO.
-----	------	--------------	----	-------

REVISIONS

PROJECT MANAGEMENT UNIT FOR
HO CHI MINH CITY
WATER ENVIRONMENT IMPROVEMENT

THE DETAILED DESIGN ON HO CHI MINH CITY
WATER ENVIRONMENT IMPROVEMENT PROJECT
IN THE SOCIALIST REPUBLIC OF VIET NAM

PACKAGE D
EXISTING COMBINED SEWER IMPROVEMENT

CROSS SECTION
OF ECSI - LINE 1 (2)

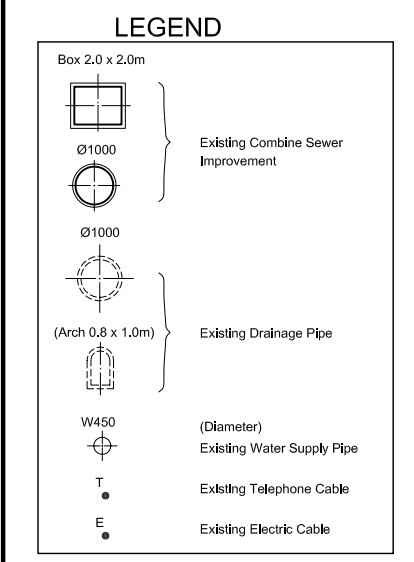
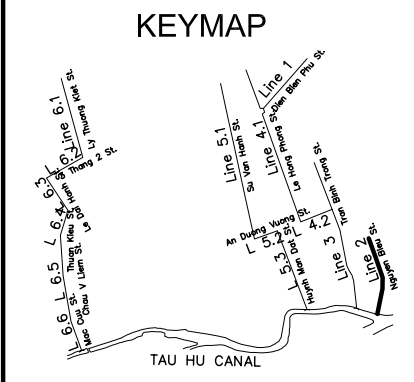
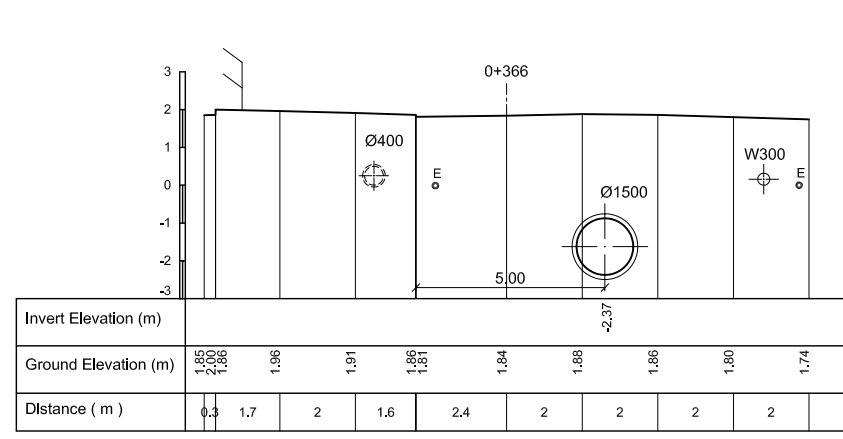
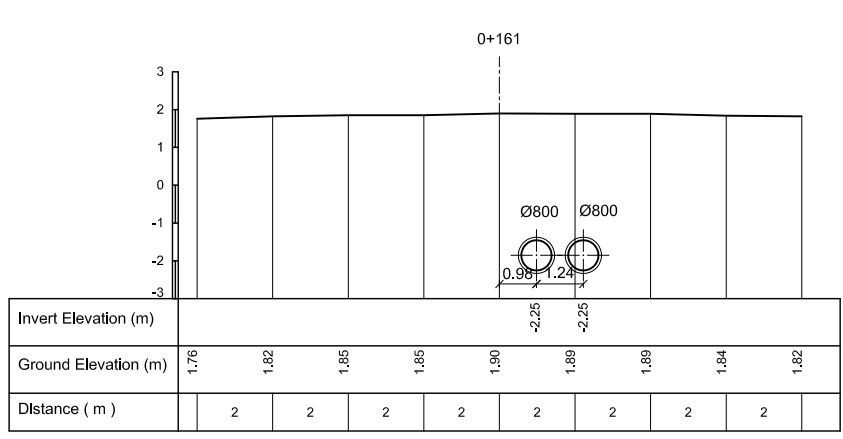
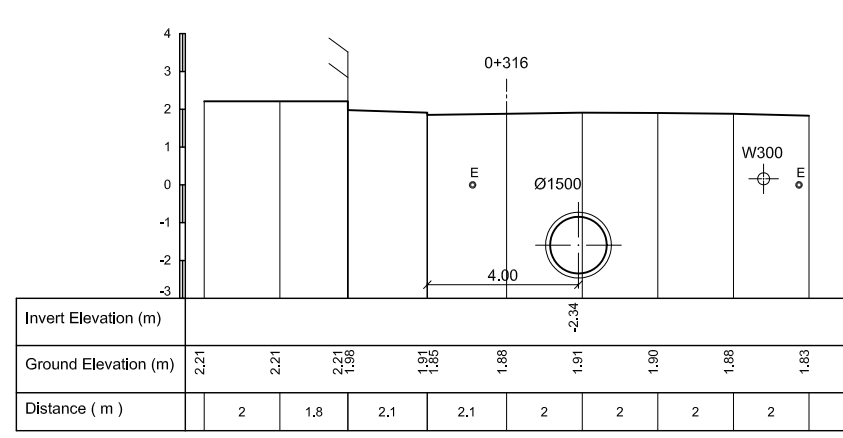
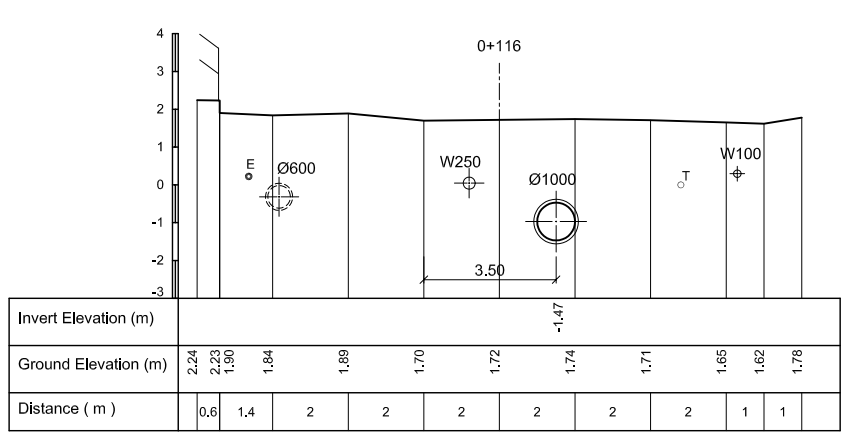
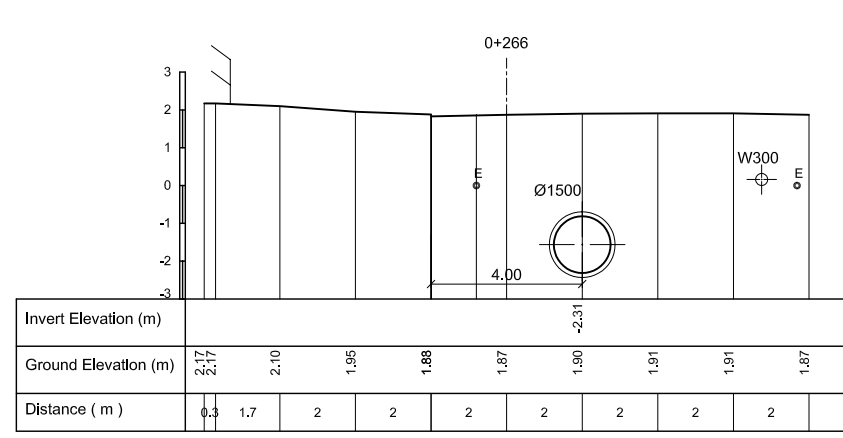
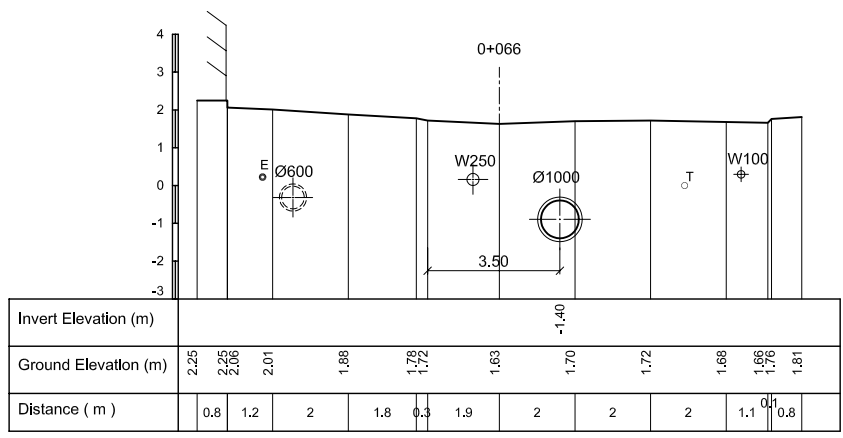
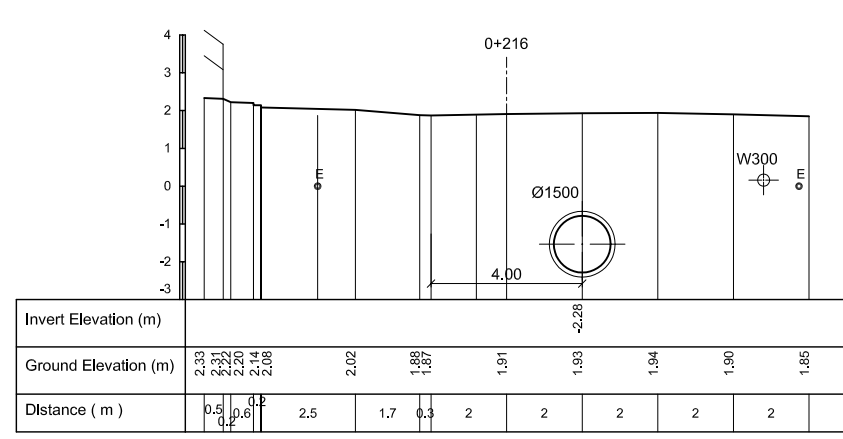
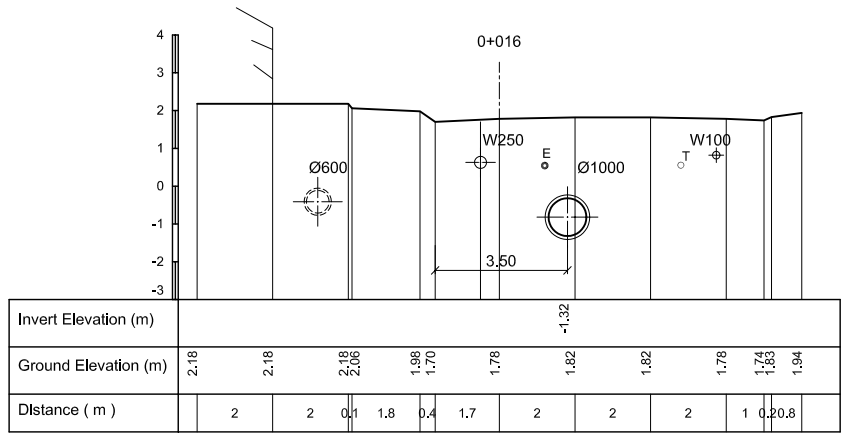
SCALE : 1 / 100

JICA JAPAN INTERNATIONAL COOPERATION
AGENCY (JICA)

PACIFIC CONSULTANTS INTERNATIONAL

DESIGNED KATSUKI TAKAAKI	CHECKED KONDO MASAMI
-----------------------------	-------------------------

DATE : JUNE 2001 DWG. No. PD - ECSI - 238



NO.	DATE	DESCRIPTIONS	BY	APRO.

REVISIONS

PROJECT MANAGEMENT UNIT FOR
HO CHI MINH CITY
WATER ENVIRONMENT IMPROVEMENT

THE DETAILED DESIGN ON HO CHI MINH CITY
WATER ENVIRONMENT IMPROVEMENT PROJECT
IN THE SOCIALIST REPUBLIC OF VIET NAM

PACKAGE D
EXISTING COMBINED SEWER IMPROVEMENT

CROSS SECTION
OF ECSI - LINE 2 (1)

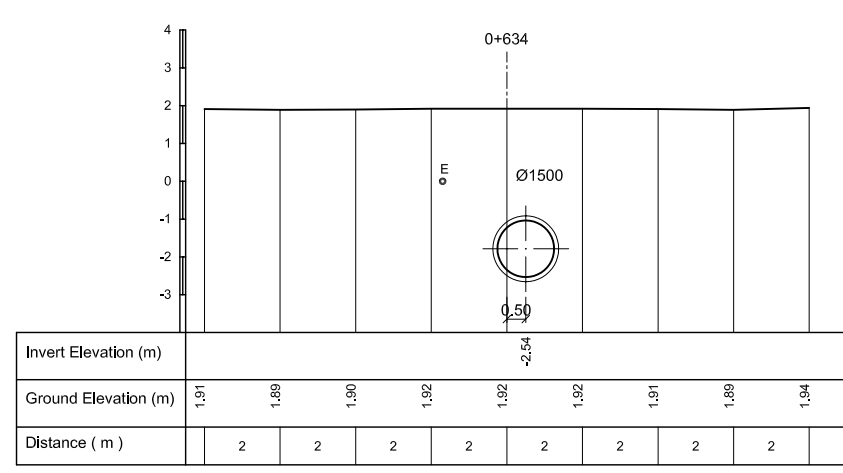
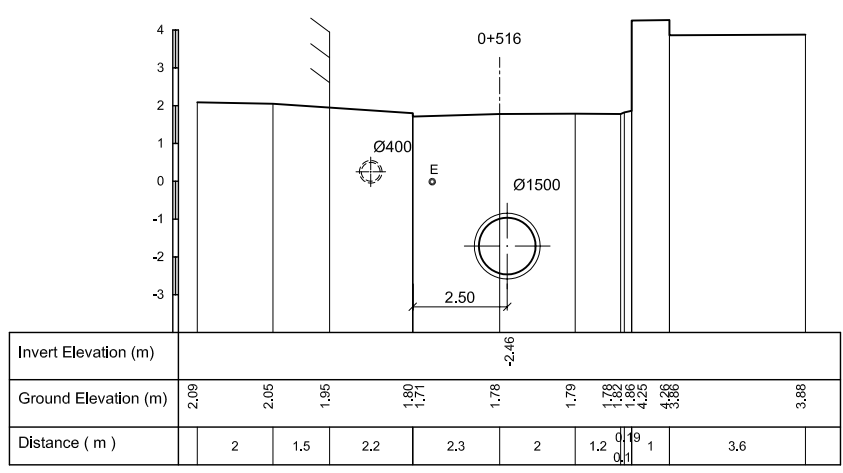
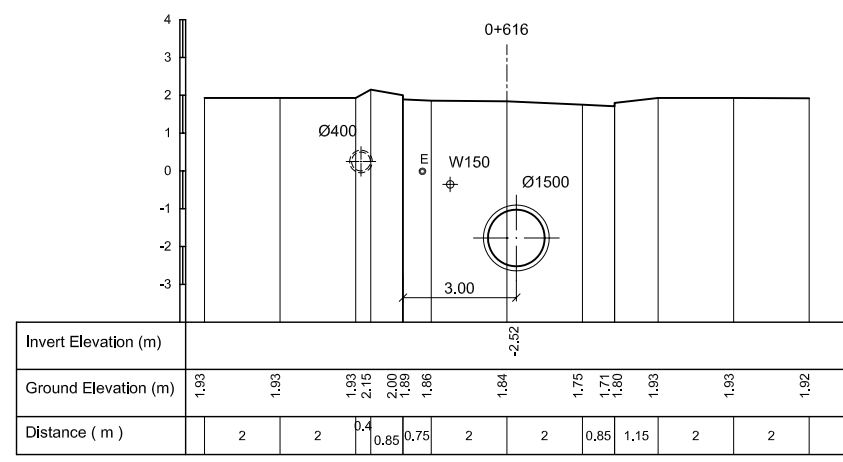
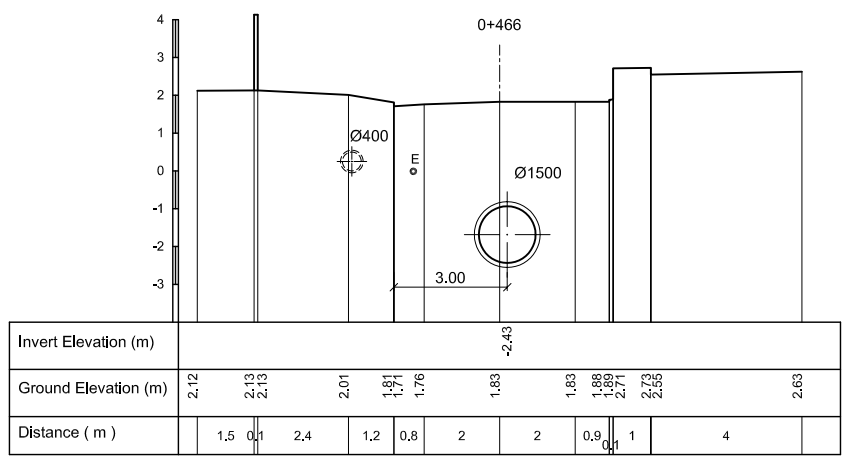
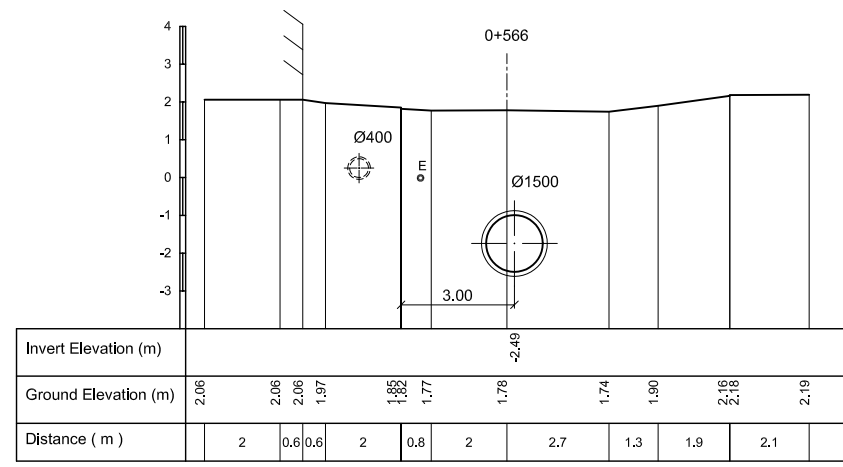
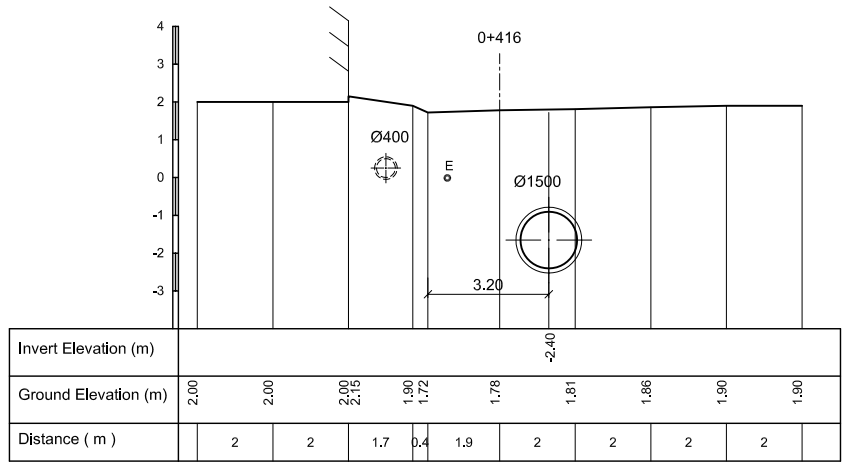
SCALE : 1 / 100

JICA JAPAN INTERNATIONAL COOPERATION
AGENCY (JICA)

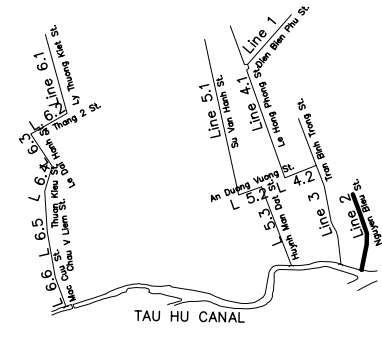
PACIFIC CONSULTANTS INTERNATIONAL

DESIGNED: KATSUKI TAKAOKI
CHECKED: KONDO MASAMI

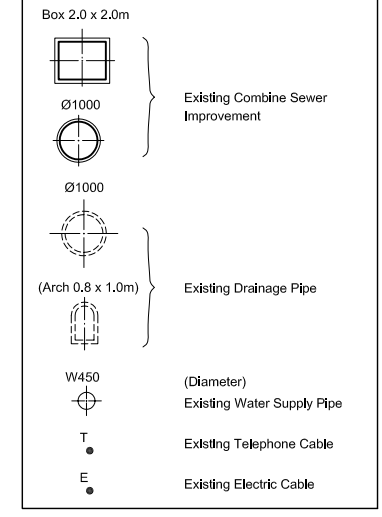
DATE : JUNE 2001 DWG. No. PD - ECSI - 239



KEYMAP



LEGEND



NO.	DATE	DESCRIPTIONS	BY	APRO.

REVISIONS

PROJECT MANAGEMENT UNIT FOR
HO CHI MINH CITY
WATER ENVIRONMENT IMPROVEMENT

THE DETAILED DESIGN ON HO CHI MINH CITY
WATER ENVIRONMENT IMPROVEMENT PROJECT
IN THE SOCIALIST REPUBLIC OF VIET NAM

PACKAGE D
EXISTING COMBINED SEWER IMPROVEMENT

**CROSS SECTION
OF ECSI - LINE 2 (2)**

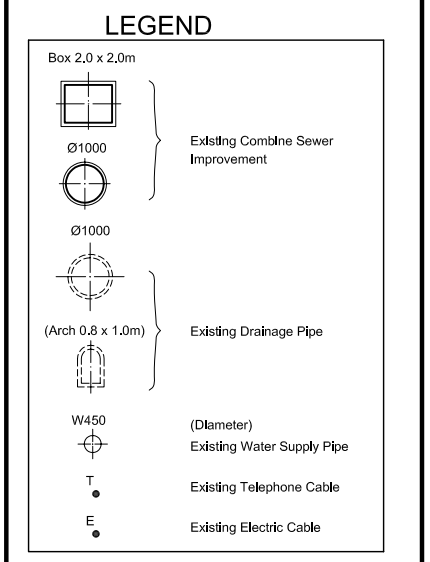
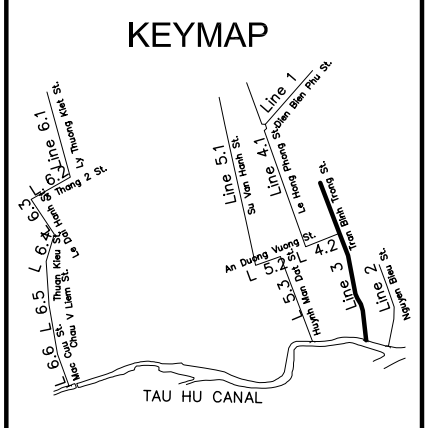
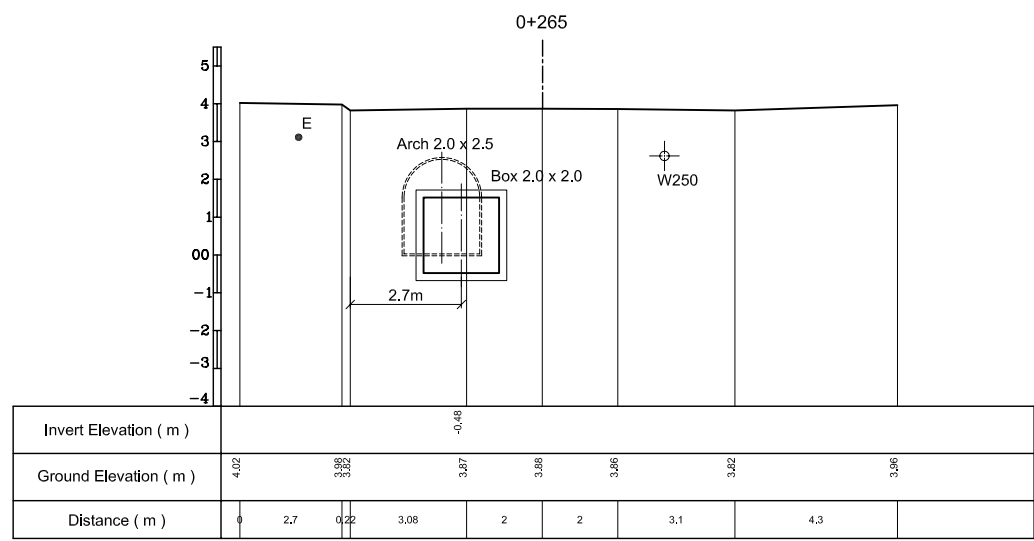
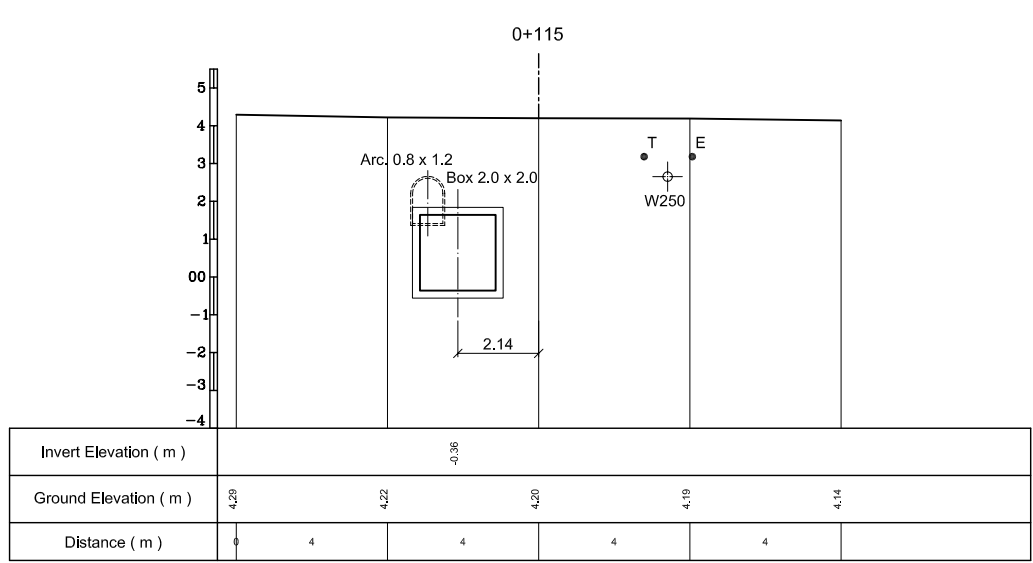
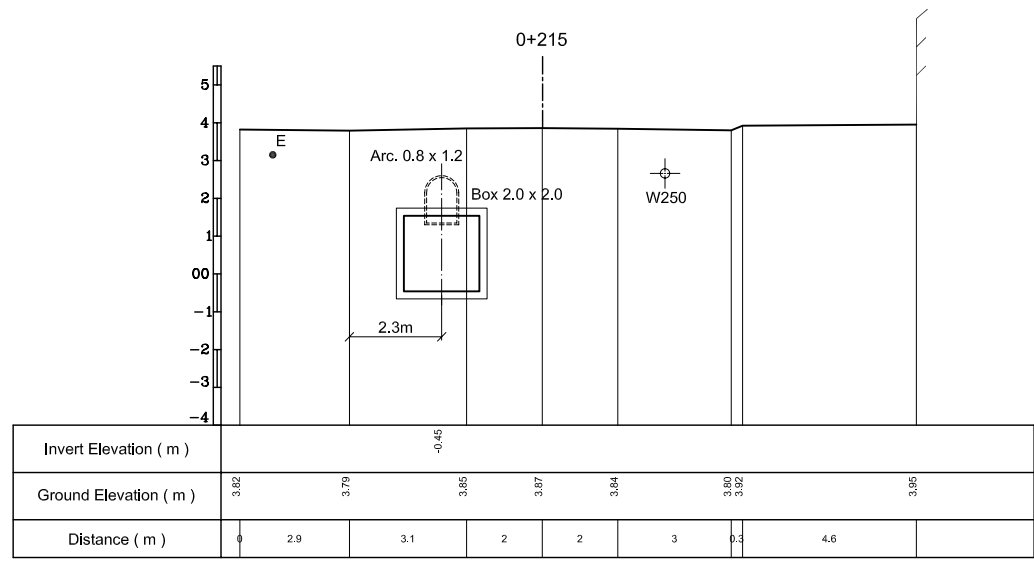
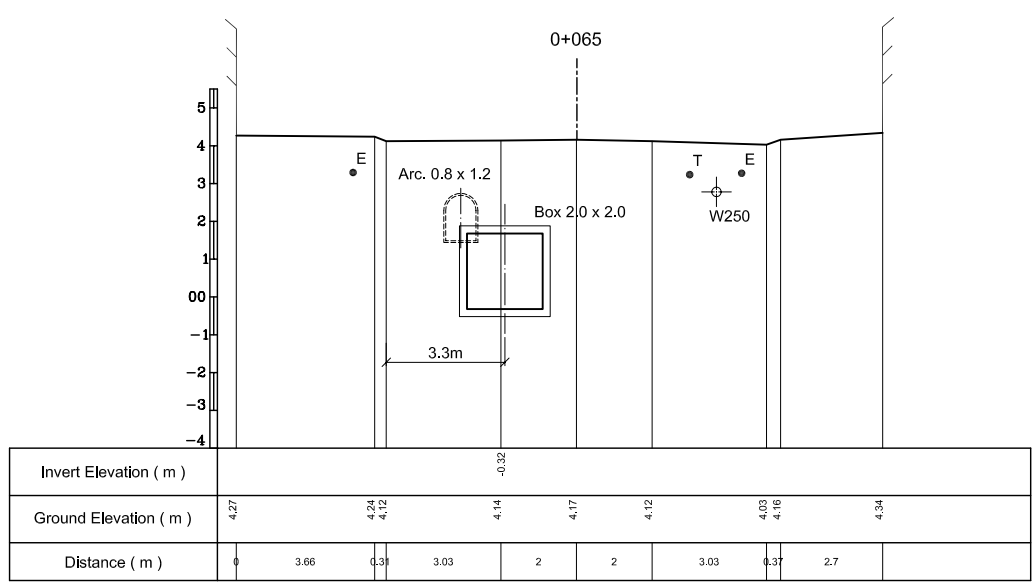
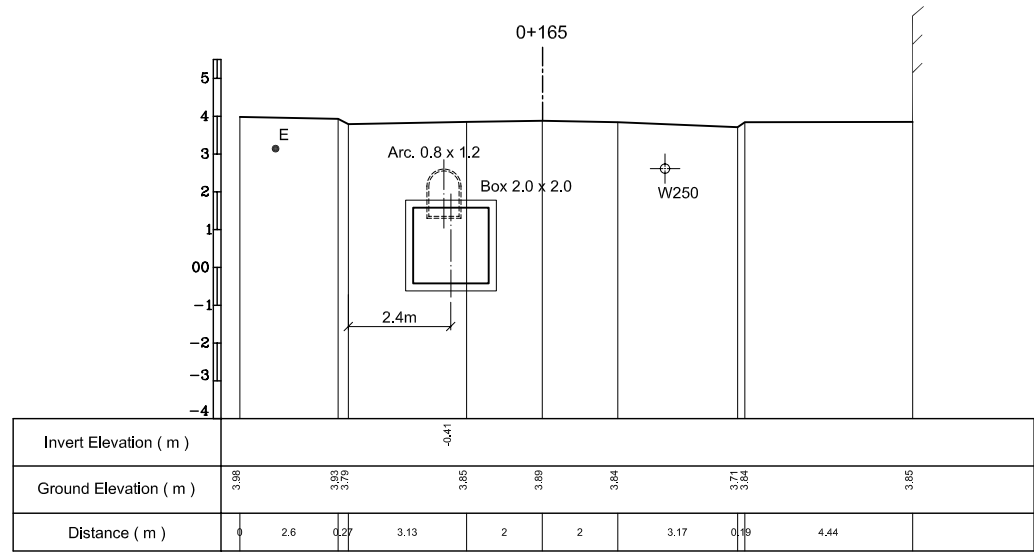
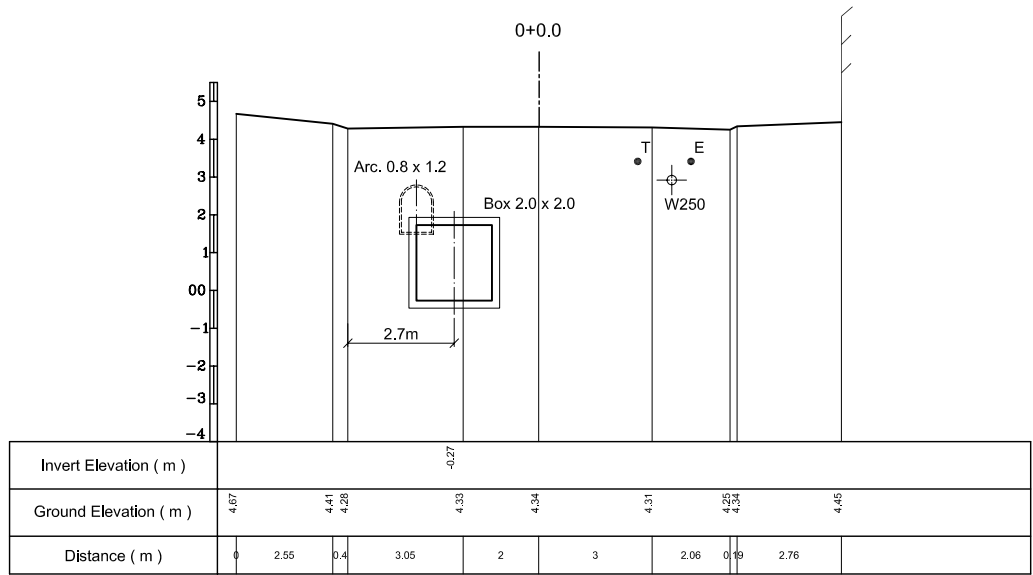
SCALE : 1 / 100

JICA JAPAN INTERNATIONAL COOPERATION
AGENCY (JICA)

PC PACIFIC CONSULTANTS INTERNATIONAL

DESIGNED KATSUKI TAKAOKI	CHECKED KONDO MASAMI
-----------------------------	-------------------------

DATE : JUNE 2001 DWG. No. PD - ECSI - 240



NO.	DATE	DESCRIPTIONS	BY	APRO.

REVISIONS

PROJECT MANAGEMENT UNIT FOR
HO CHI MINH CITY
WATER ENVIRONMENT IMPROVEMENT

THE DETAILED DESIGN ON HO CHI MINH CITY
WATER ENVIRONMENT IMPROVEMENT PROJECT
IN THE SOCIALIST REPUBLIC OF VIET NAM

PACKAGE D
EXISTING COMBINED SEWER IMPROVEMENT

CROSS SECTION OF ECSI - LINE 3 (1)

SCALE : 1 / 100

JICA JAPAN INTERNATIONAL COOPERATION
AGENCY (JICA)

PACIFIC CONSULTANTS INTERNATIONAL

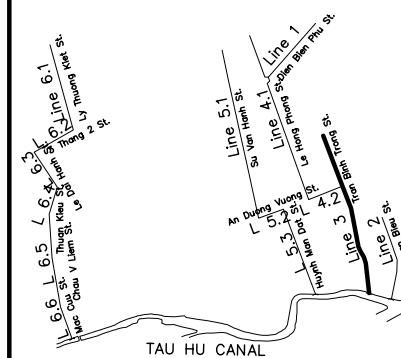
DESIGNED
KATSUKI TAKAAKI

CHECKED
KONDO MASAMI

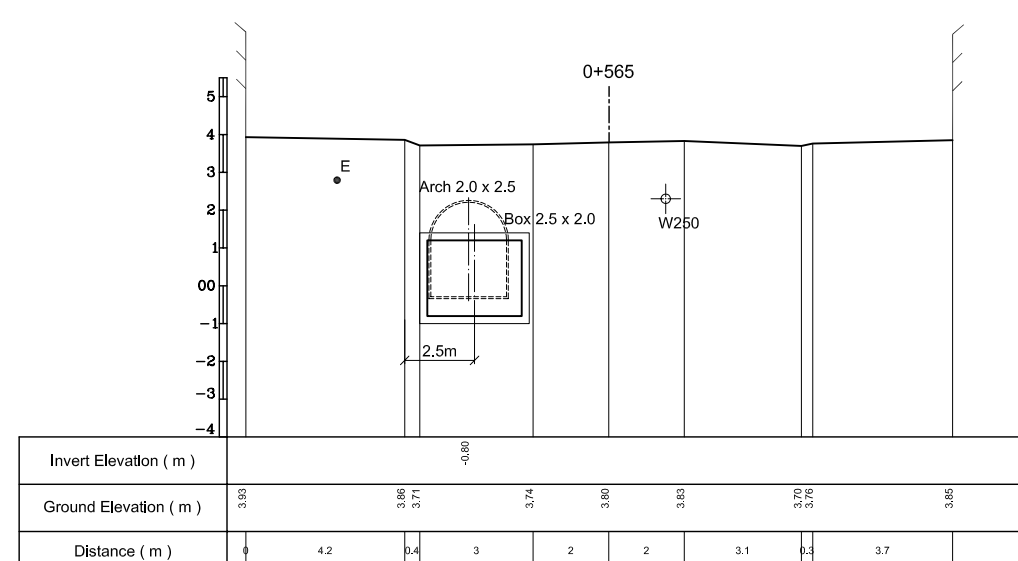
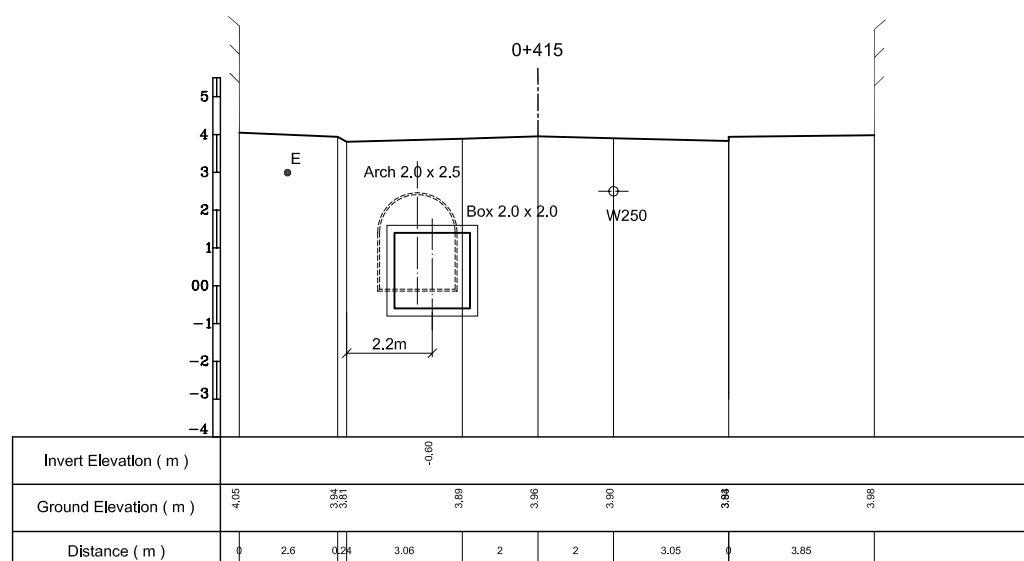
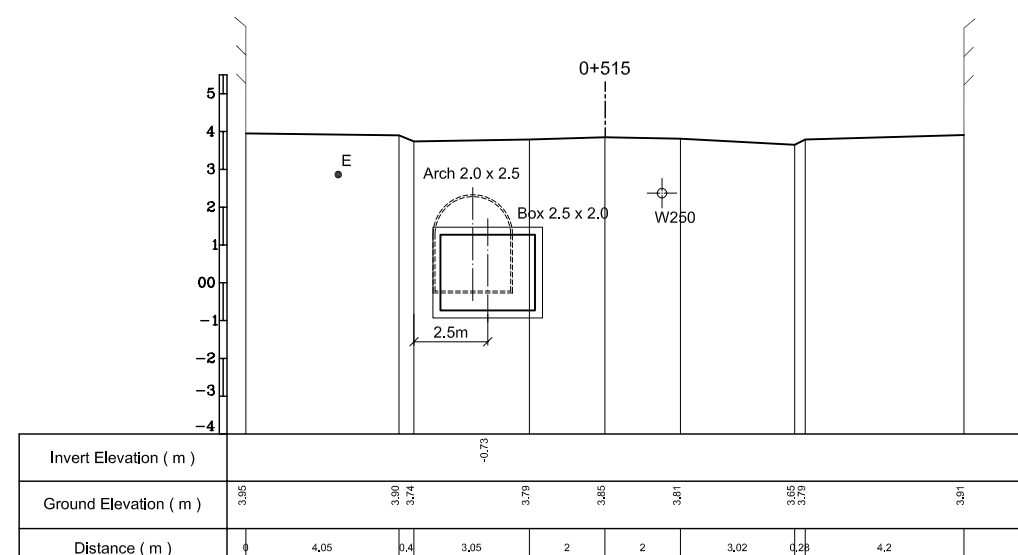
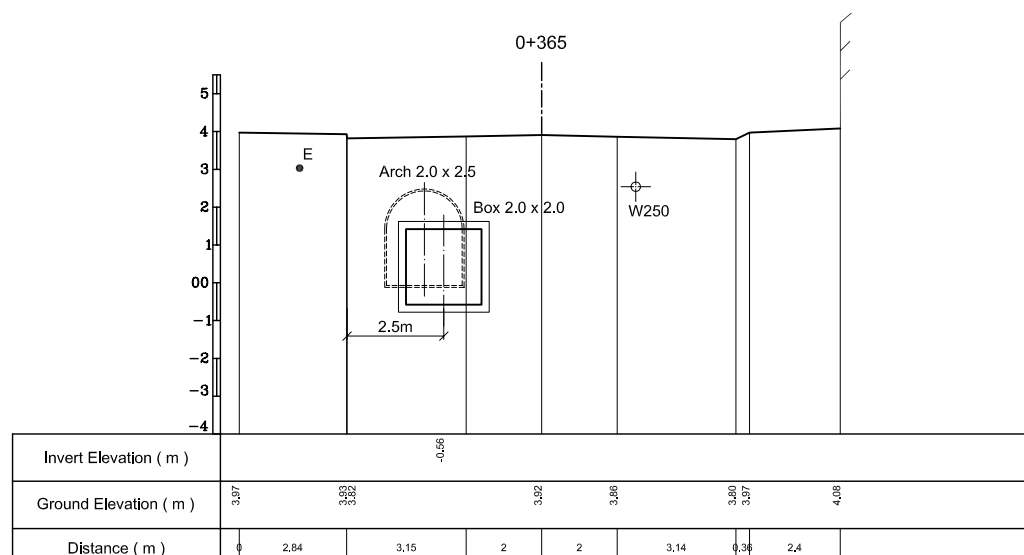
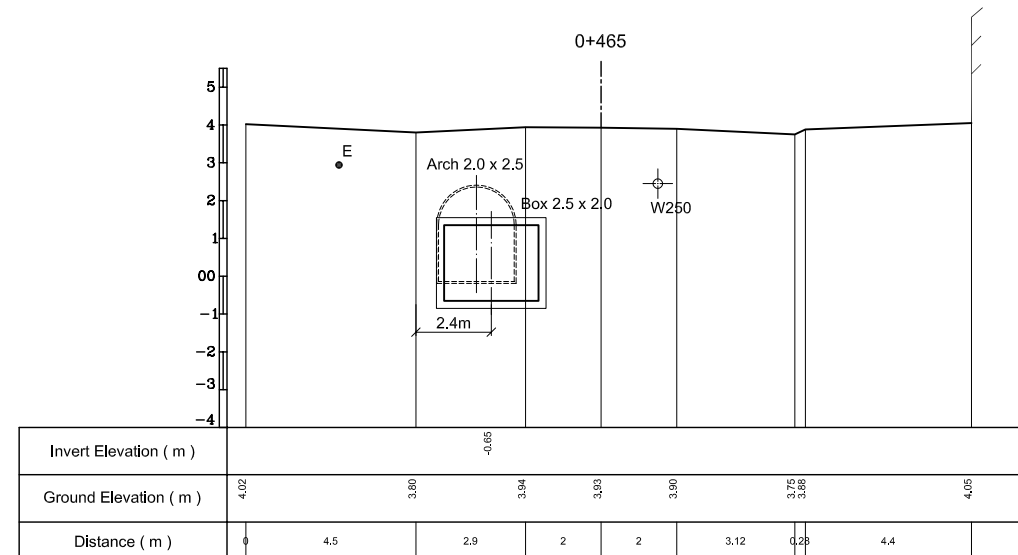
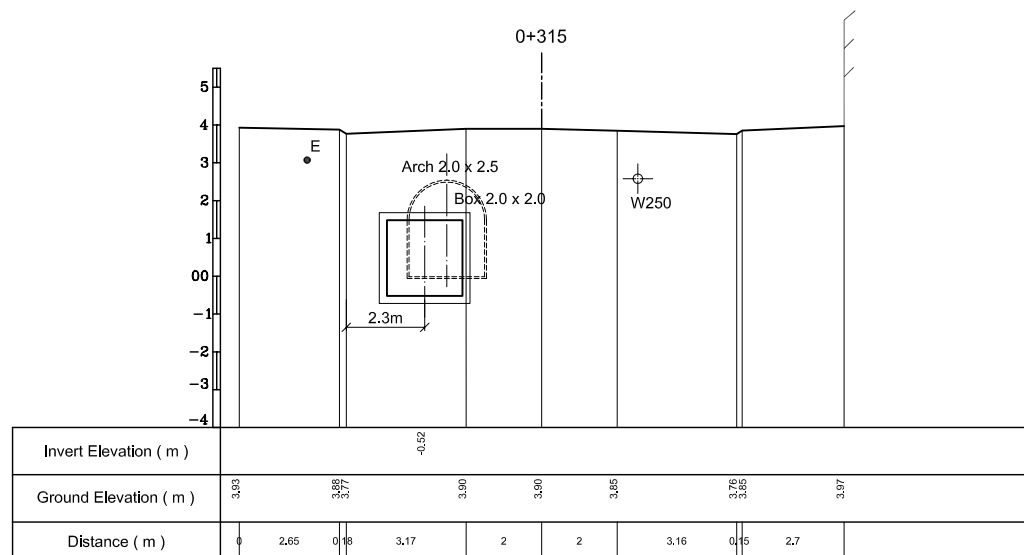
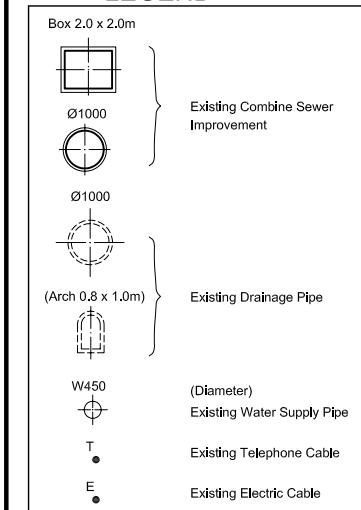
DATE : JUNE 2001

DWG. No. PD - ECSI - 241

KEYMAP

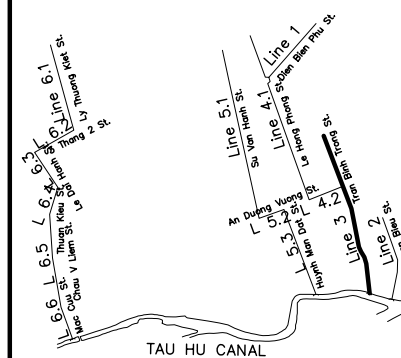


LEGEND

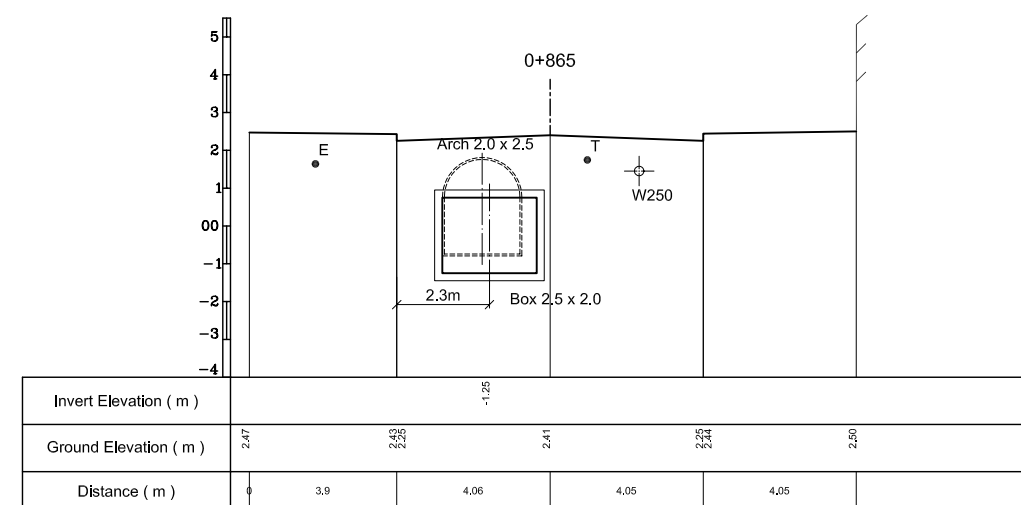
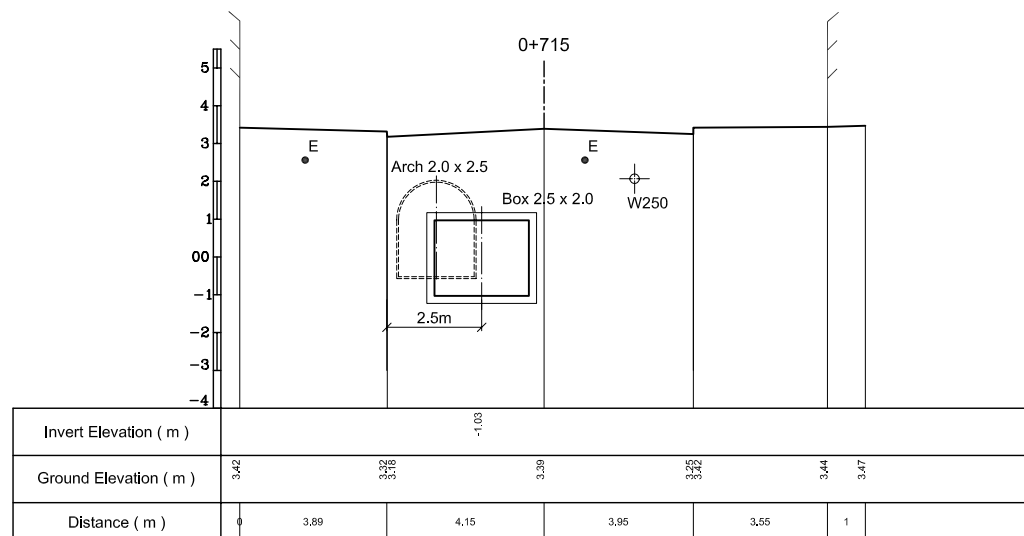
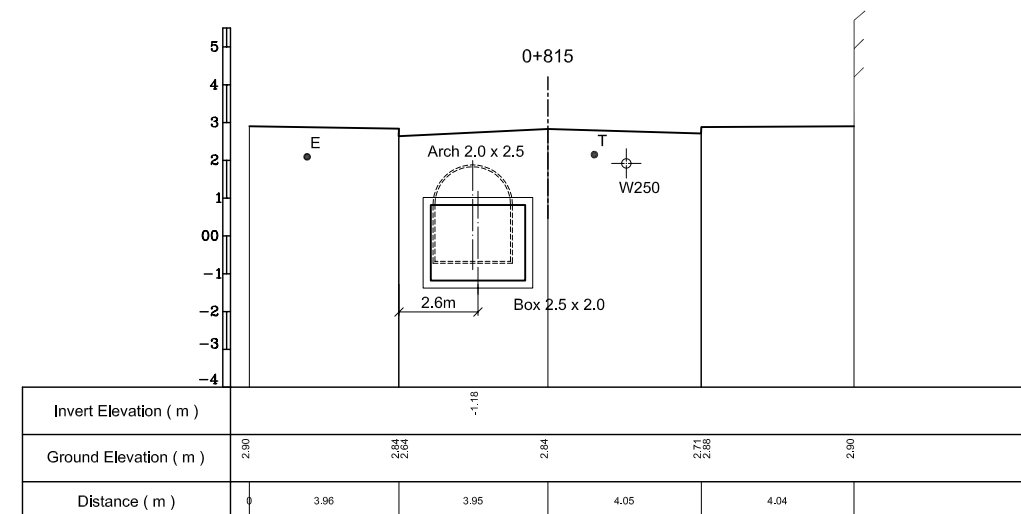
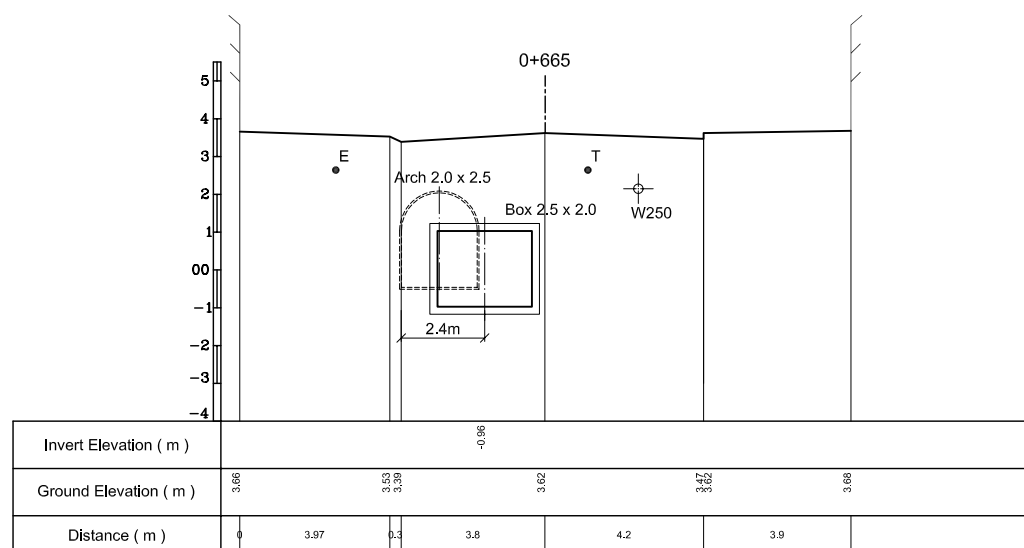
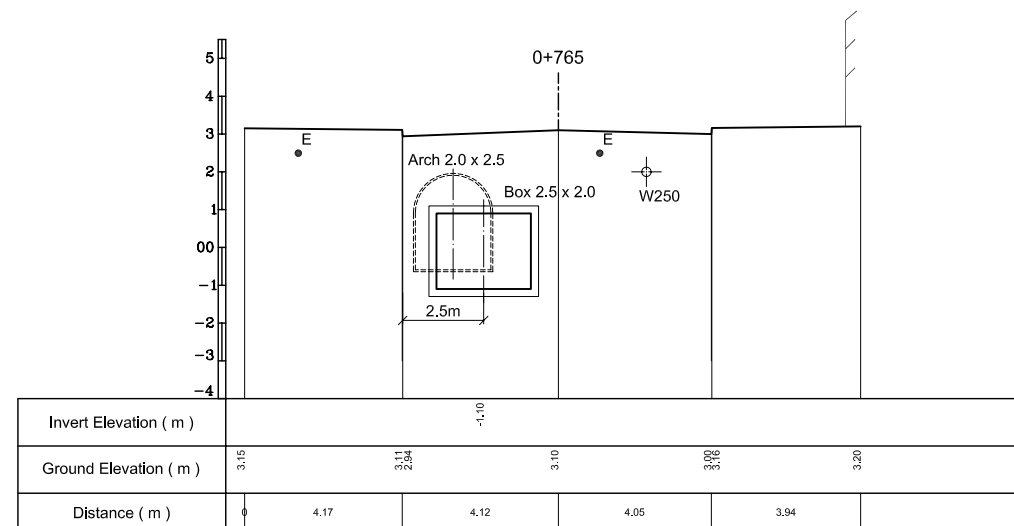
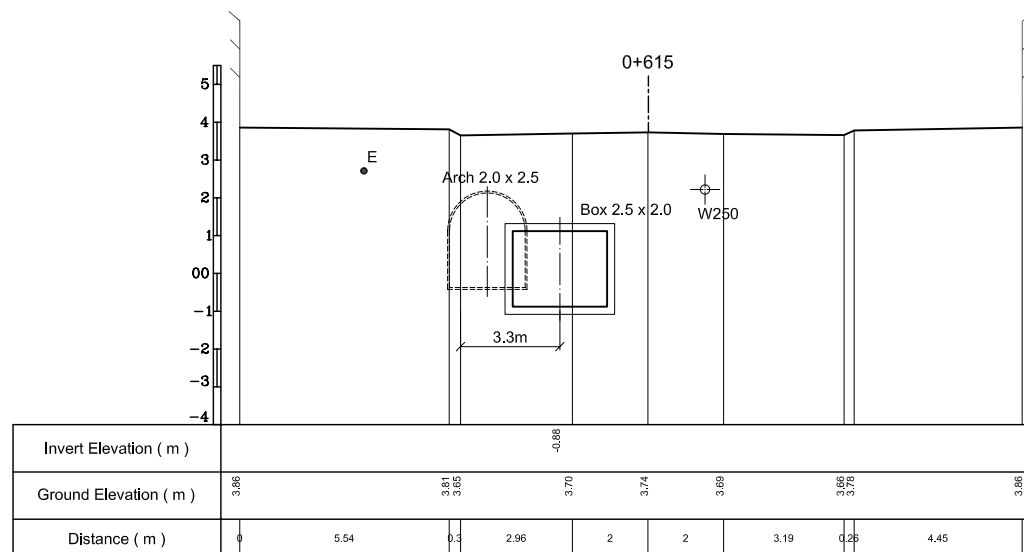
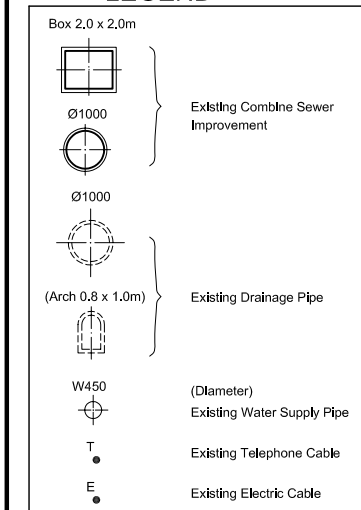


NO.	DATE	DESCRIPTIONS	BY	APRO.
REVISIONS				
PROJECT MANAGEMENT UNIT FOR HO CHI MINH CITY WATER ENVIRONMENT IMPROVEMENT				
THE DETAILED DESIGN ON HO CHI MINH CITY WATER ENVIRONMENT IMPROVEMENT PROJECT IN THE SOCIALIST REPUBLIC OF VIET NAM				
PACKAGE D EXISTING COMBINED SEWER IMPROVEMENT				
CROSS SECTION OF ECSI - LINE 3 (2)				
SCALE : 1 / 100				
JAPAN INTERNATIONAL COOPERATION AGENCY (JICA)				
PACIFIC CONSULTANTS INTERNATIONAL				
DESIGNED KATSUKI TAKAAKI		CHECKED KONDO MASAMI		
DATE : JUNE 2001		DWG. No. PD - ECSI - 242		

KEYMAP



LEGEND



NO.	DATE	DESCRIPTIONS	BY	APRO.

REVISIONS

PROJECT MANAGEMENT UNIT FOR
HO CHI MINH CITY
WATER ENVIRONMENT IMPROVEMENT

THE DETAILED DESIGN ON HO CHI MINH CITY
WATER ENVIRONMENT IMPROVEMENT PROJECT
IN THE SOCIALIST REPUBLIC OF VIET NAM

PACKAGE D
EXISTING COMBINED SEWER IMPROVEMENT

CROSS SECTION OF ECSI - LINE 3 (3)

SCALE : 1 / 100

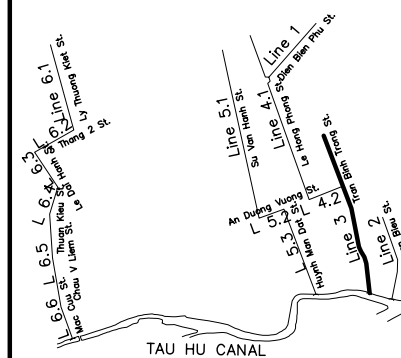
JICA JAPAN INTERNATIONAL COOPERATION
AGENCY (JICA)

PACIFIC CONSULTANTS INTERNATIONAL

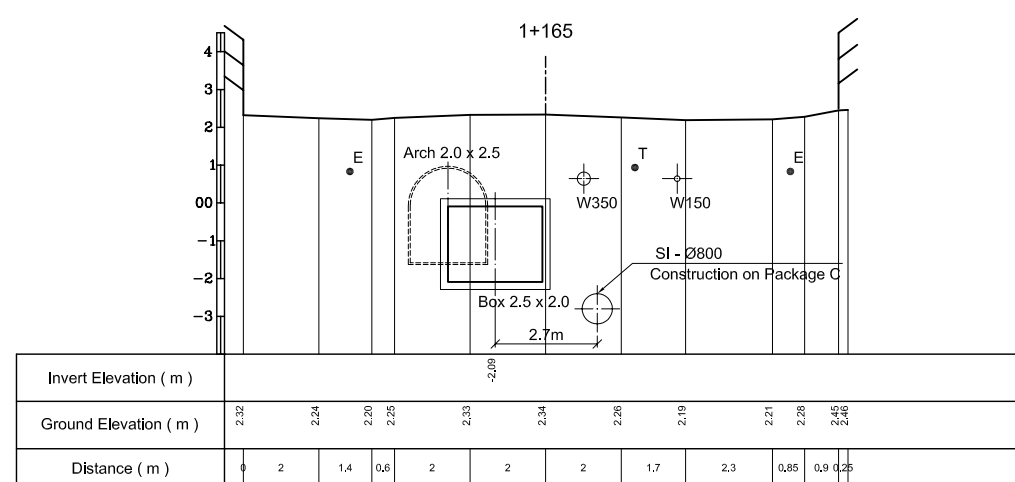
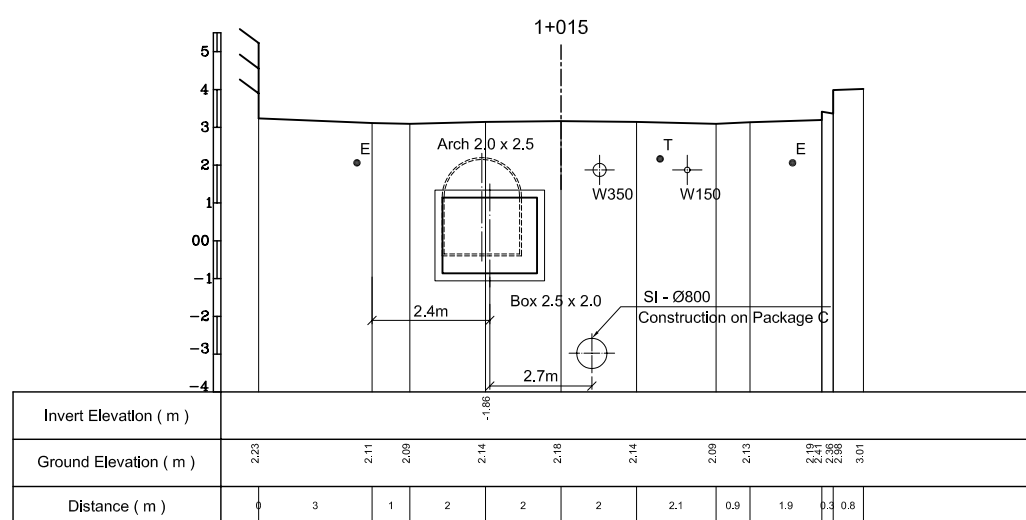
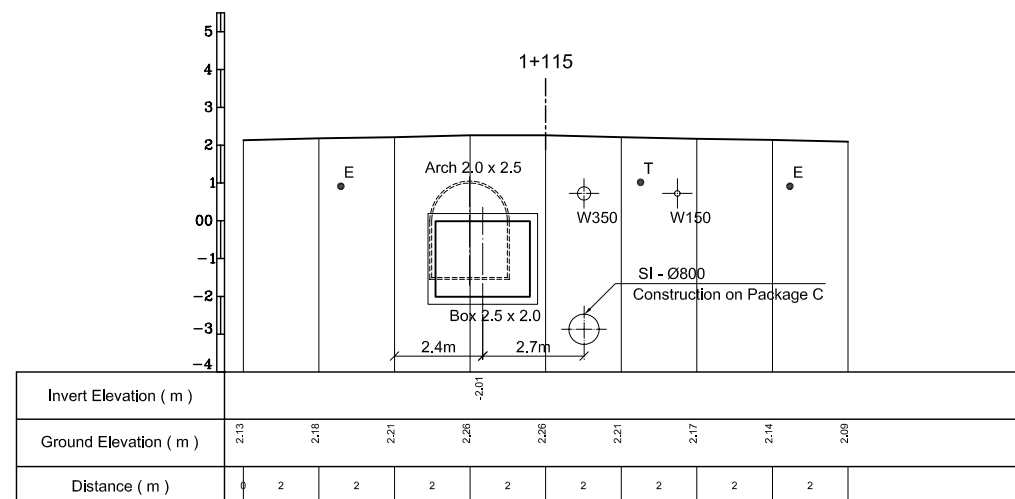
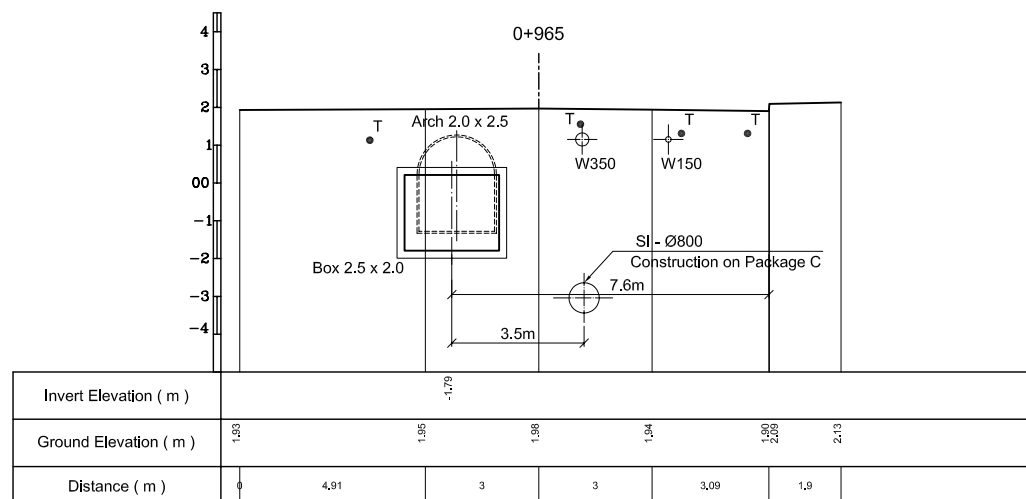
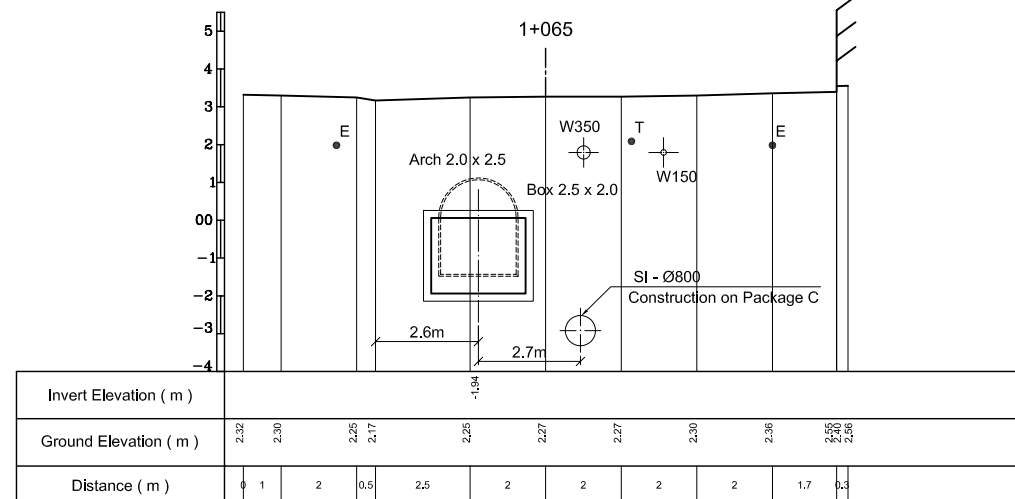
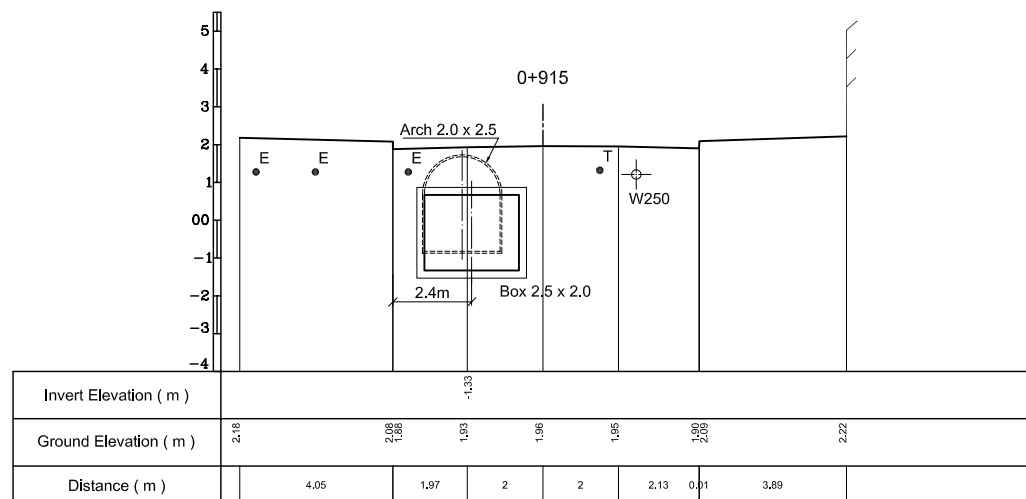
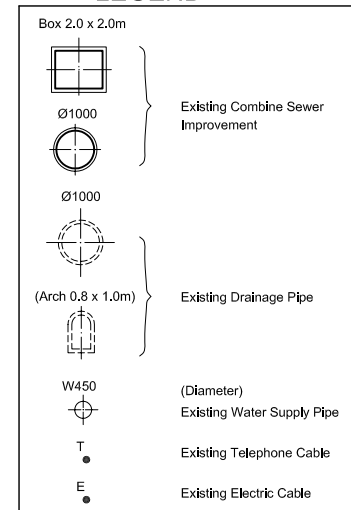
DESIGNED KATSUKI TAKAAKI	CHECKED KONDO MASAMI
-----------------------------	-------------------------

DATE : JUNE 2001 DWG. No. PD - ECSI - 243

KEYMAP



LEGEND



NO.	DATE	DESCRIPTIONS	BY	APRO.

REVISIONS

PROJECT MANAGEMENT UNIT FOR
HO CHI MINH CITY
WATER ENVIRONMENT IMPROVEMENT

THE DETAILED DESIGN ON HO CHI MINH CITY
WATER ENVIRONMENT IMPROVEMENT PROJECT
IN THE SOCIALIST REPUBLIC OF VIET NAM

PACKAGE D
EXISTING COMBINED SEWER IMPROVEMENT

CROSS SECTION OF ECSI - LINE 3 (4)

SCALE : 1 / 100

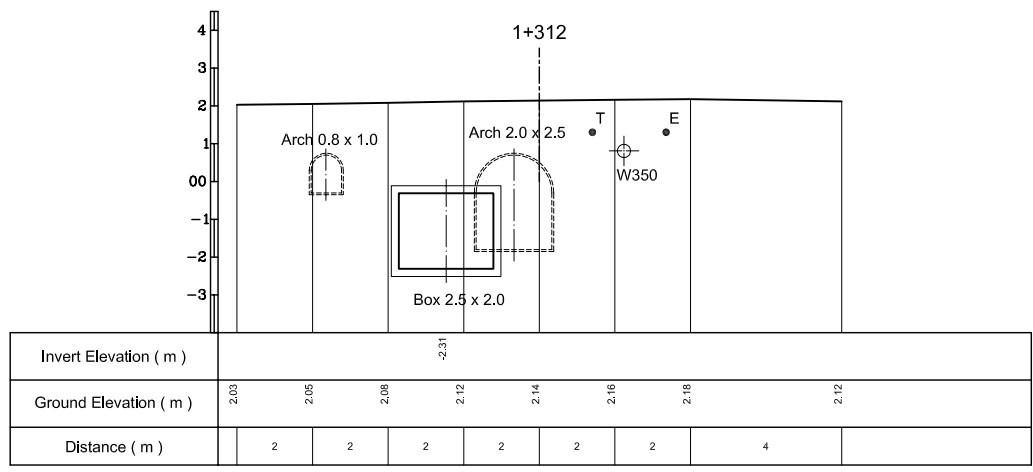
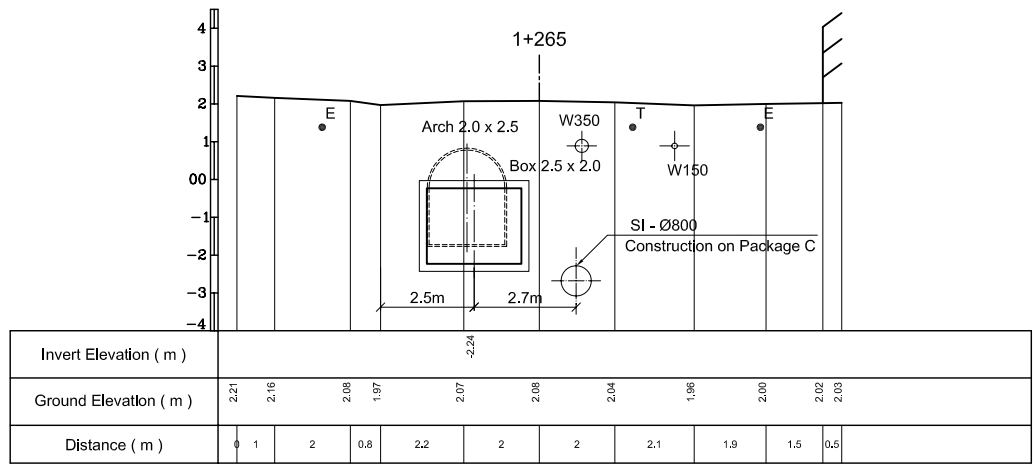
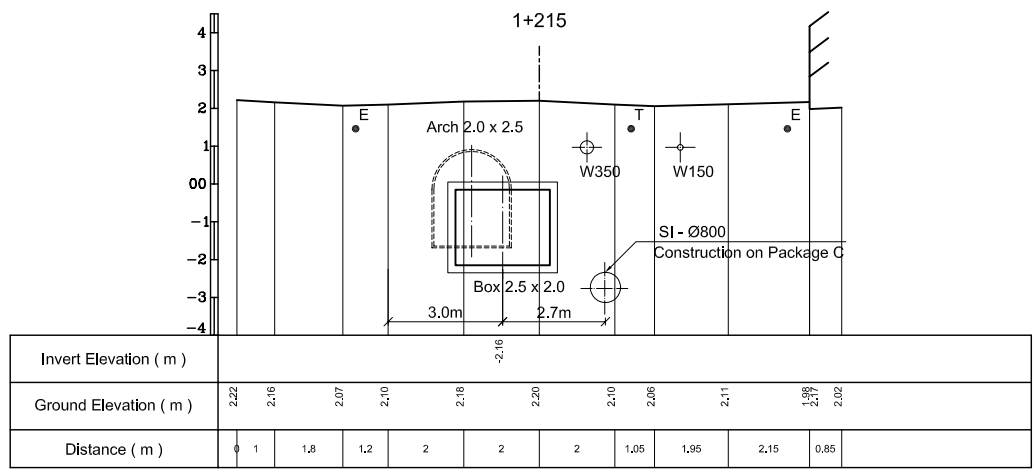
JICA JAPAN INTERNATIONAL COOPERATION
AGENCY (JICA)

PACIFIC CONSULTANTS INTERNATIONAL

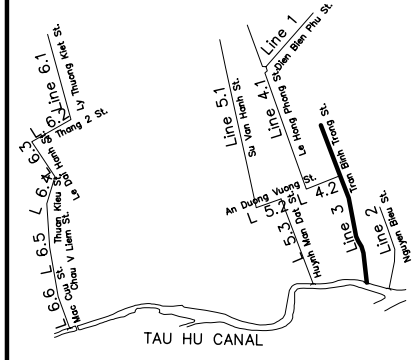
DESIGNED
KATSUKI TAKAOKI

CHECKED
KONDO MASAMI

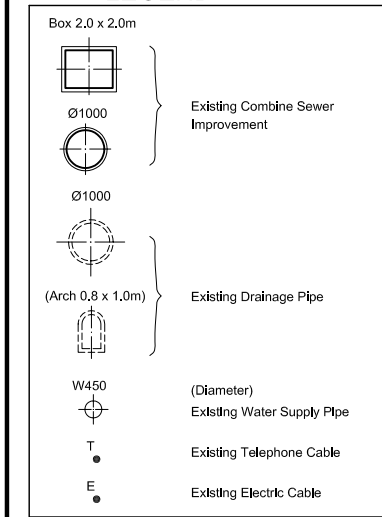
DATE : JUNE 2001 DWG. No. PD - ECSI - 244



KEYMAP



LEGEND



NO.	DATE	DESCRIPTIONS	BY	APRO.

REVISIONS

PROJECT MANAGEMENT UNIT FOR
HO CHI MINH CITY
WATER ENVIRONMENT IMPROVEMENT

THE DETAILED DESIGN ON HO CHI MINH CITY
WATER ENVIRONMENT IMPROVEMENT PROJECT
IN THE SOCIALIST REPUBLIC OF VIET NAM

PACKAGE D
EXISTING COMBINED SEWER IMPROVEMENT

CROSS SECTION
OF ECSI - LINE 3 (5)

SCALE : 1 / 100

JICA JAPAN INTERNATIONAL COOPERATION AGENCY (JICA)

PACIFIC CONSULTANTS INTERNATIONAL

DESIGNED
KATSUKI TAKAOKI

CHECKED
KONDO MASAMI

DATE : JUNE 2001 DWG. No. PD - ECSI - 245