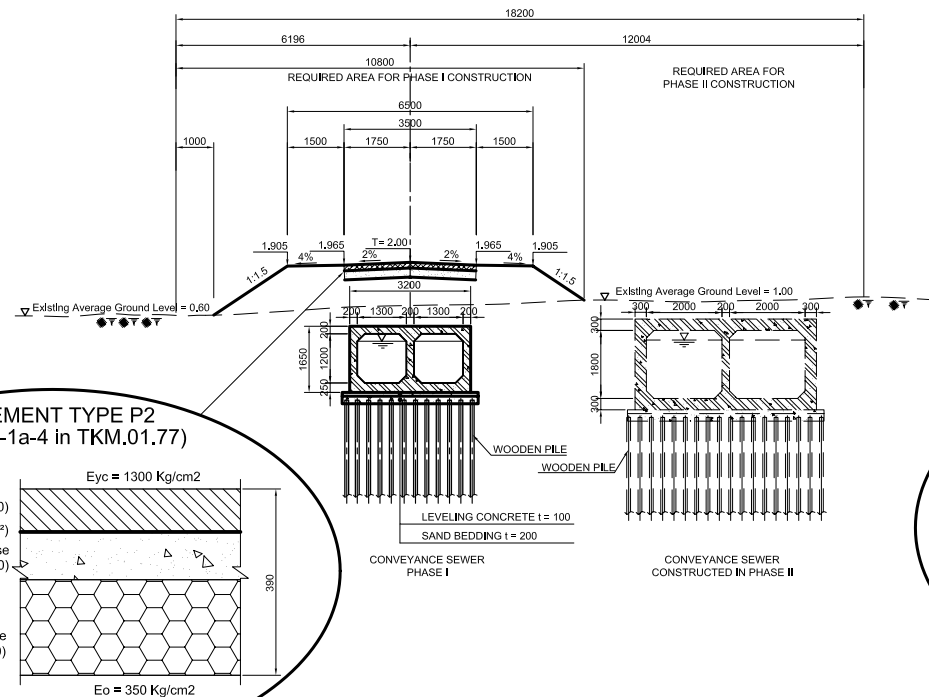
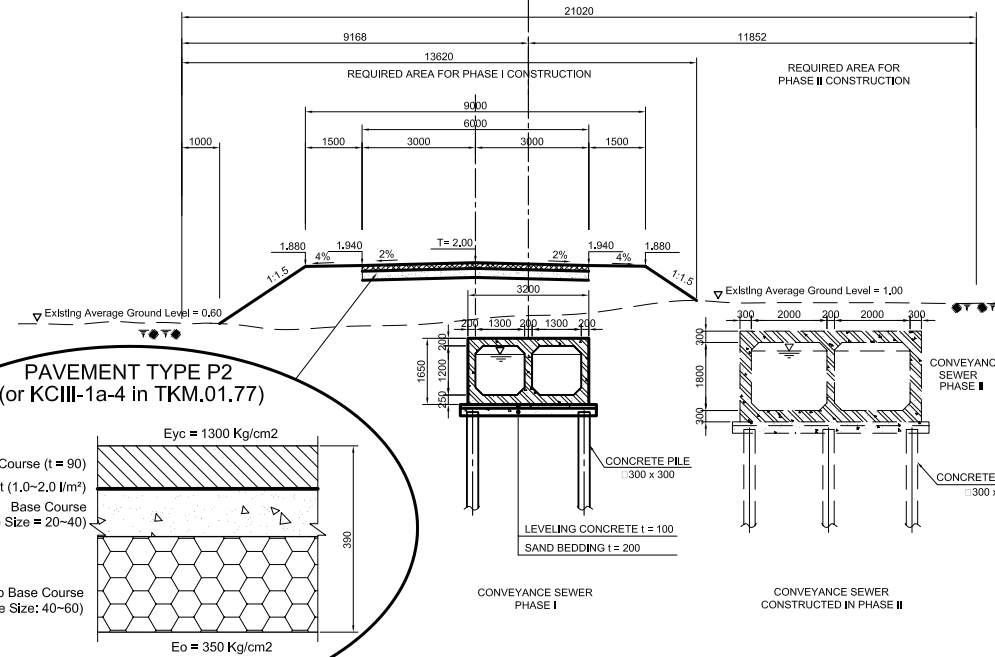


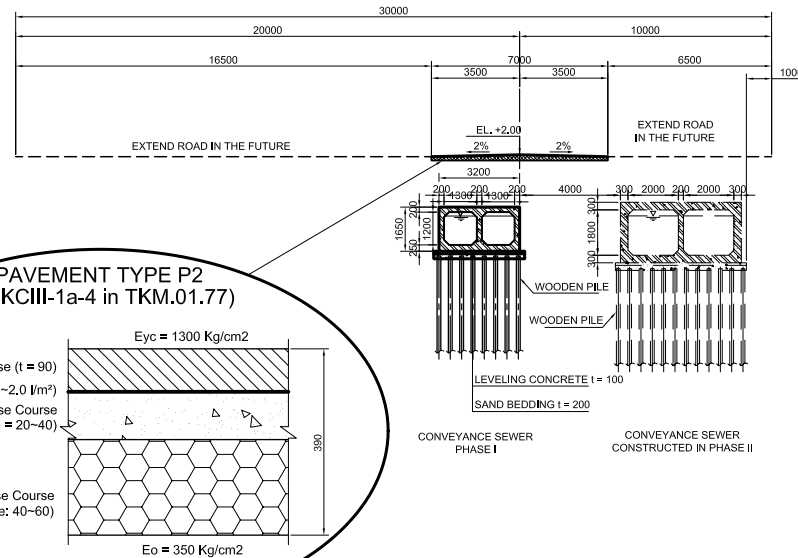
TYPE A
(BETWEEN IWPS AND DONG DIEU ROAD)
Scale: 1/100



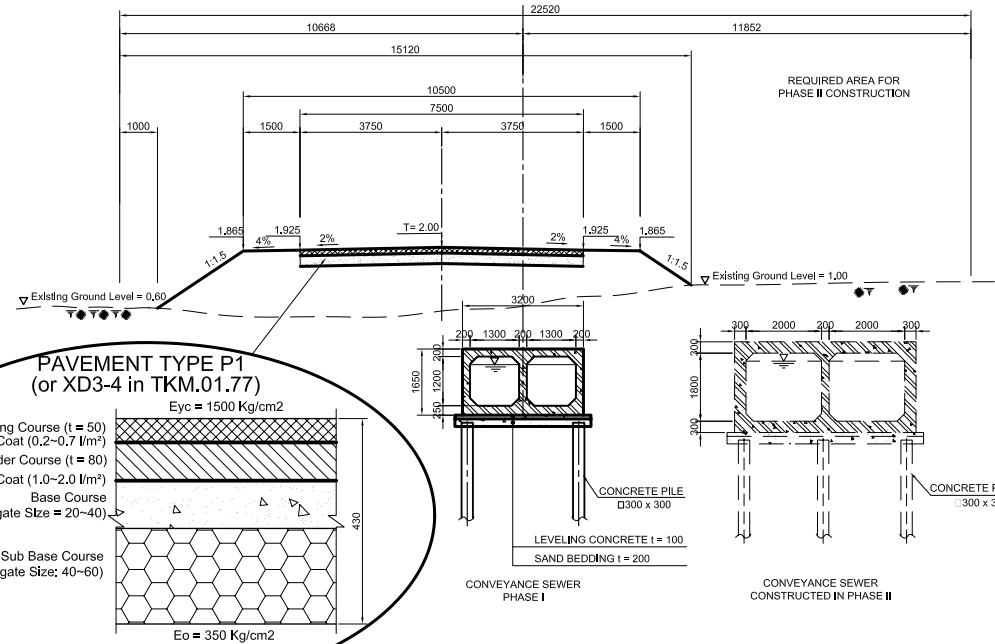
TYPE B
(CM5 - CM13 - BETWEEN THE SOUTH END OF DONG DIEU ROAD AND THE JUNCTION OF PLANNED CHANH HUNG ROAD)
Scale: 1/100



EXISTING DONG DIEU ROAD
(CM13 - CM31)
Scale: 1/150



TYPE C
(CM31 - CM36 - BETWEEN THE JUNCTION OF THE PLANNED CHANH HUNG ROAD AND PLANNED BRIDGE)
Scale: 1/100

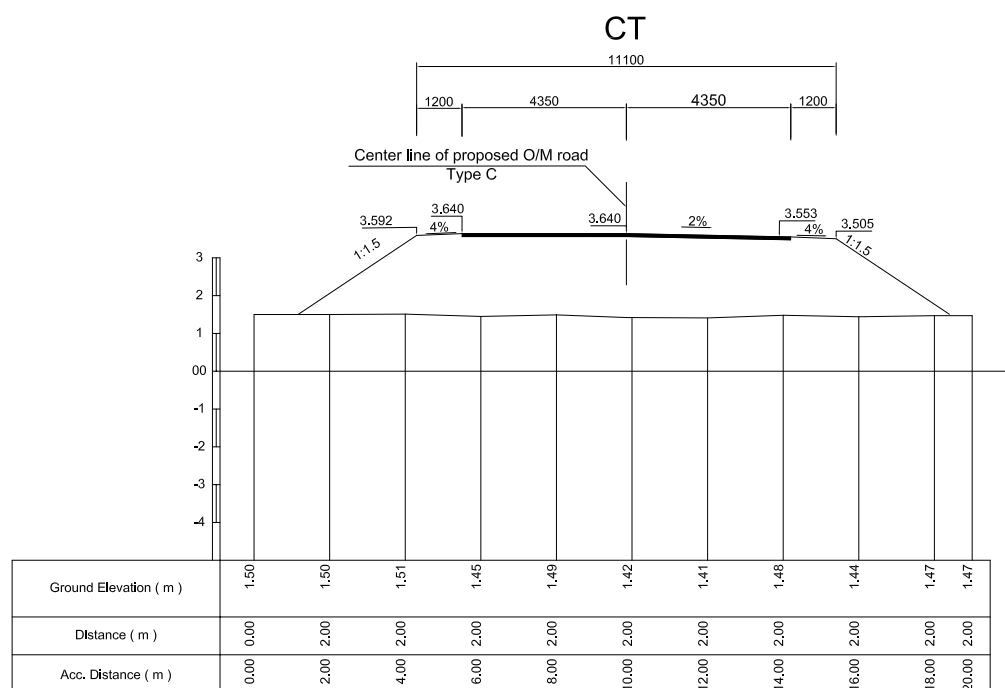
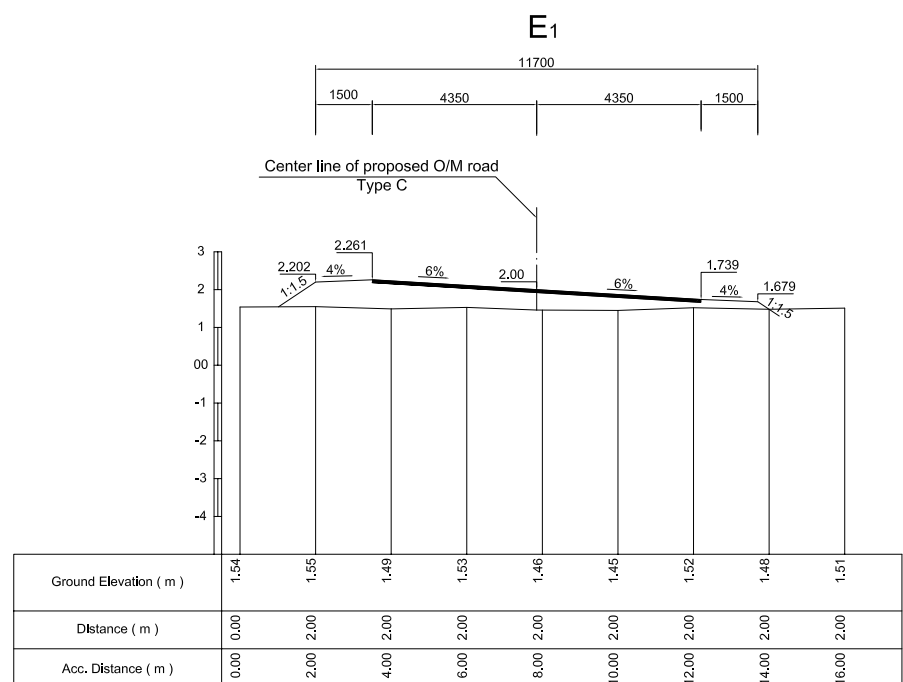
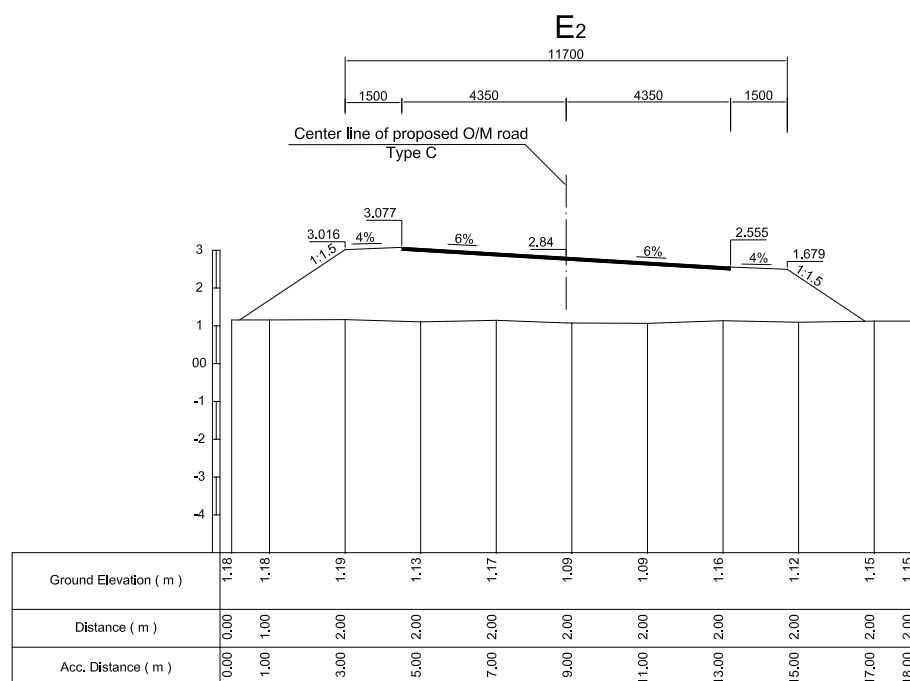
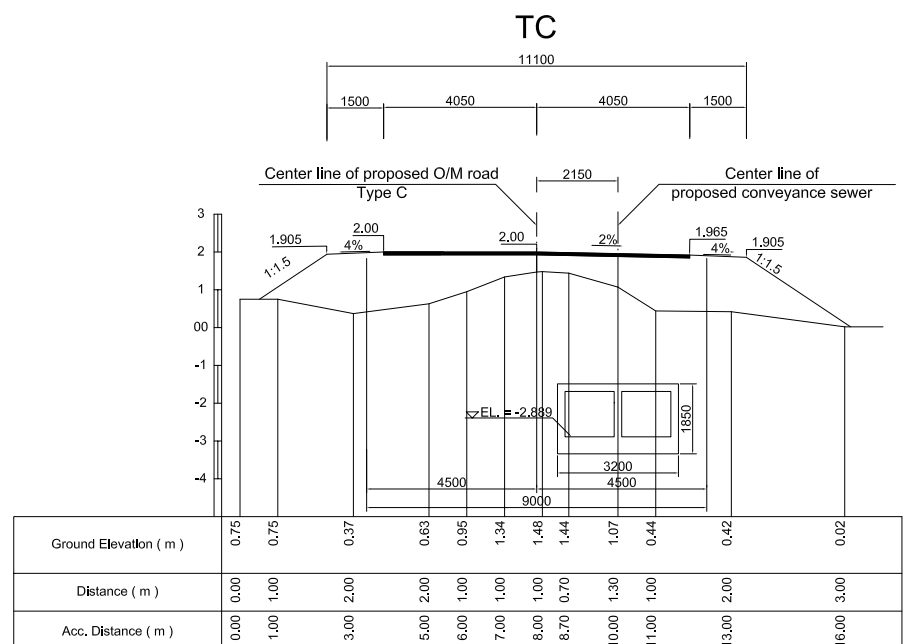
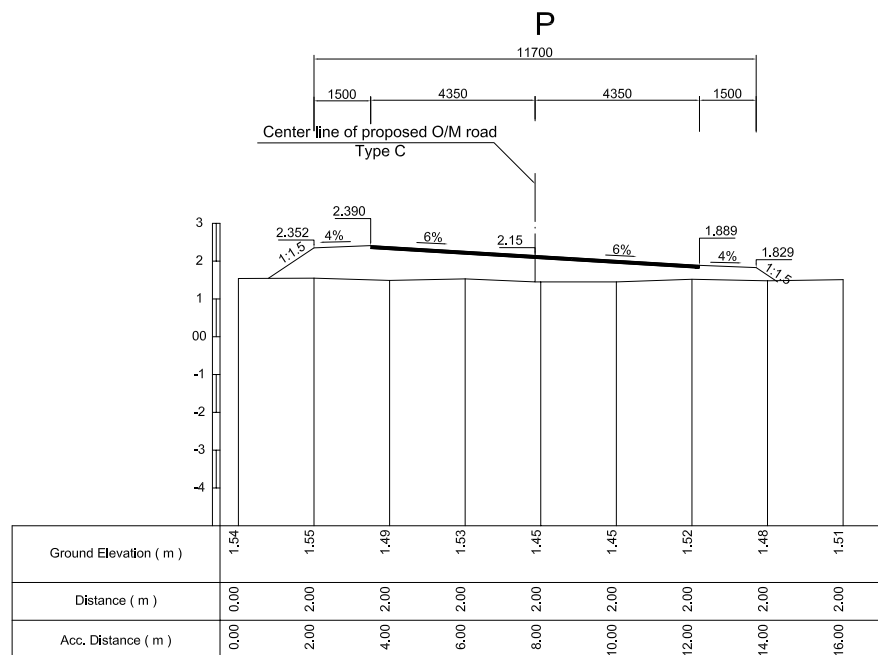
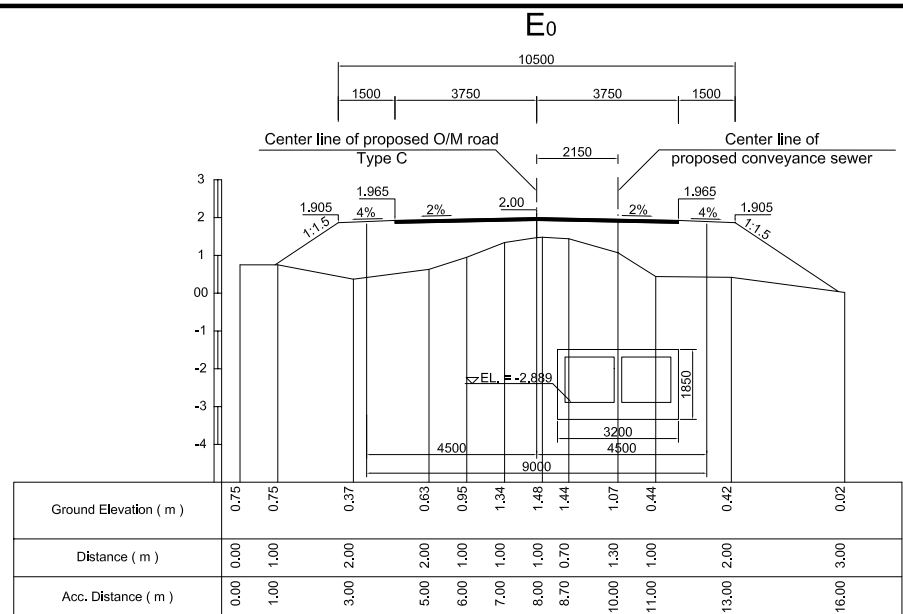


PAVEMENT STRUCTURE OF O/M ROAD

No	Name of road (Manhole Name)	Length (m)	O/M Road Width (m)			Pavement Area (m ²)	Quantity of Pavement Materials (m ³)				Type of Pavement
			Total	Pavement	Shoulder		Wearing Course	Binder Course	Base Course	Sub Base Course	
1	CM5 - C13	793.70	10.00	5.20	1.5 x 2	4127.24	0.00	371.45	412.72	825.45	Type P2
2	CM13 - CM31	1604.83	9.00	6.00	1.5 x 2	9628.98	0.00	866.61	962.90	1925.80	Type P2
3	CM31 - CM36	568.62	10.50	7.50	1.5 x 2	4264.65	213.23	383.82	426.47	852.93	Type P1
Total		2967.15				18020.87	213.23	1621.88	1802.09	3604.17	

NOTE:
 - According to 20TCN 104-83 "Standard of Urban Highway Design" approved by MOC.
 - Pavement type P1 and P2 is type XD3-4 and KCIII-1a-4 in "Typical Pavement Structure TKM.01.77" approved by MOC.
 - Dimension in mm.
 - Elevation in m.

NO.	DATE	DESCRIPTIONS	BY	APRO.
REVISIONS				
PROJECT MANAGEMENT UNIT FOR HO CHI MINH CITY WATER ENVIRONMENT IMPROVEMENT				
THE DETAILED DESIGN ON HO CHI MINH CITY WATER ENVIRONMENT IMPROVEMENT PROJECT IN THE SOCIALIST REPUBLIC OF VIET NAM				
PACKAGE D CONVEYANCE SEWER CONSTRUCTION				
TYPICAL CROSS SECTION OF O/M ROAD				
SCALE : AS SHOWN				
JAPAN INTERNATIONAL COOPERATION AGENCY (JICA)				
PACIFIC CONSULTANTS INTERNATIONAL				
DESIGNED KATSUKI TAKAAKI		CHECKED KONDO MASAMI		
DATE : JUNE 2001		DWG. No. PD - CSC - 228		



NO.	DATE	DESCRIPTIONS	BY	APRO.

REVISIONS

PROJECT MANAGEMENT UNIT FOR
HO CHI MINH CITY
WATER ENVIRONMENT IMPROVEMENT

THE DETAILED DESIGN ON HO CHI MINH CITY
WATER ENVIRONMENT IMPROVEMENT PROJECT
IN THE SOCIALIST REPUBLIC OF VIET NAM

PACKAGE D
CONVEYANCE SEWER CONSTRUCTION
**CROSS SECTION
OF O/M ROAD**

SCALE : 1 : 100

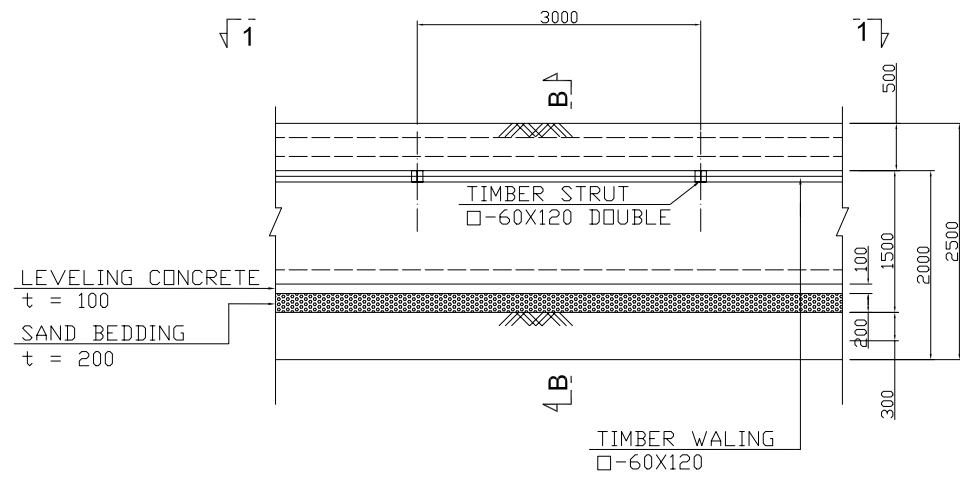
JICA JAPAN INTERNATIONAL COOPERATION
AGENCY (JICA)

PACIFIC CONSULTANTS INTERNATIONAL

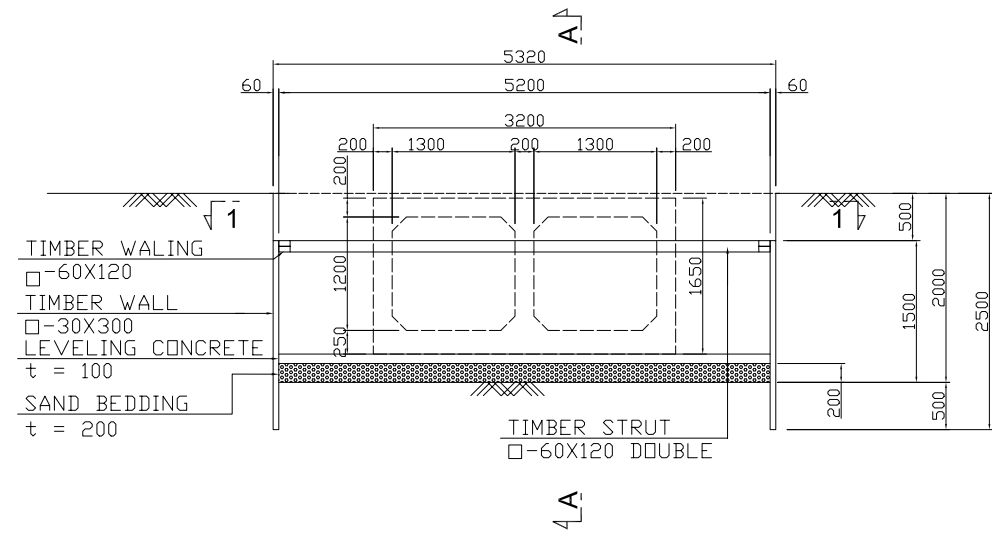
DESIGNED: KATSUKI TAKAAKI
CHECKED: KONDO MASAMI

DATE : JUNE 2001 DWG. No. PD - CSC - 229

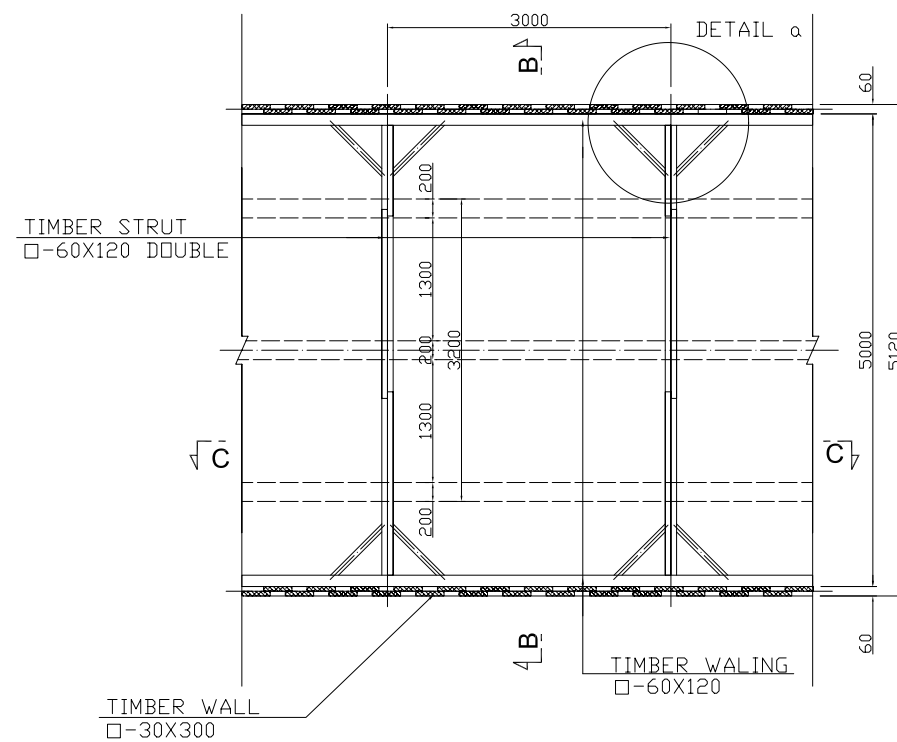
TIMBER WALL SECTION LINE NUMBER CM1 ~ CM16



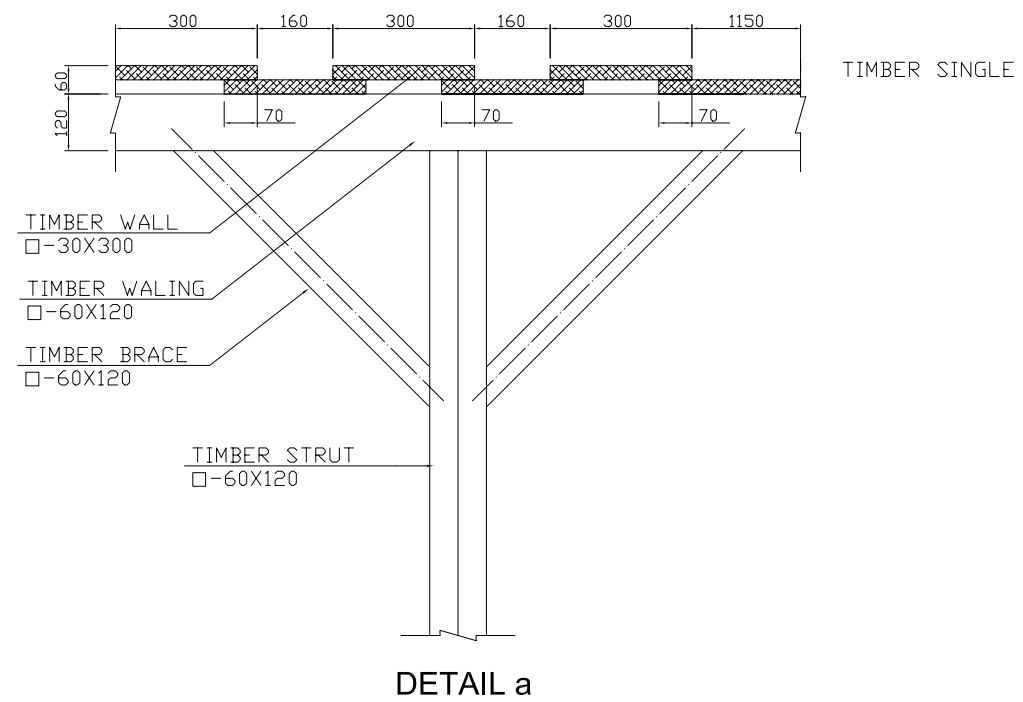
SECTION A-A



SECTION B-B



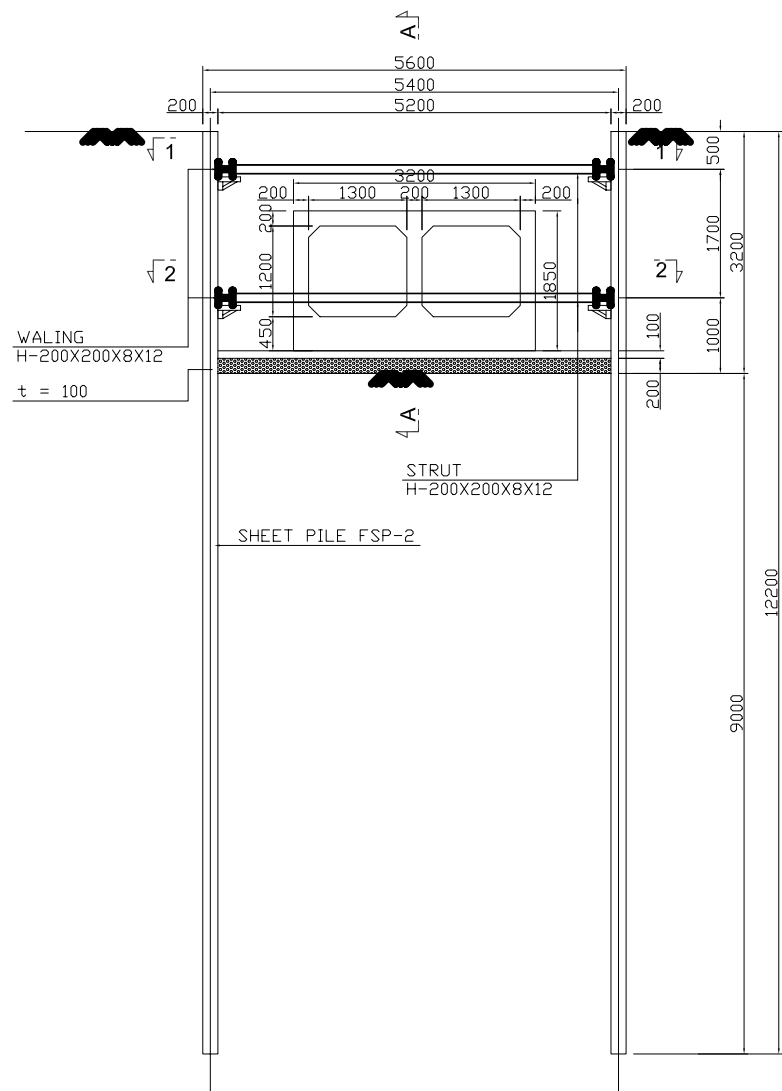
SECTION 1-1



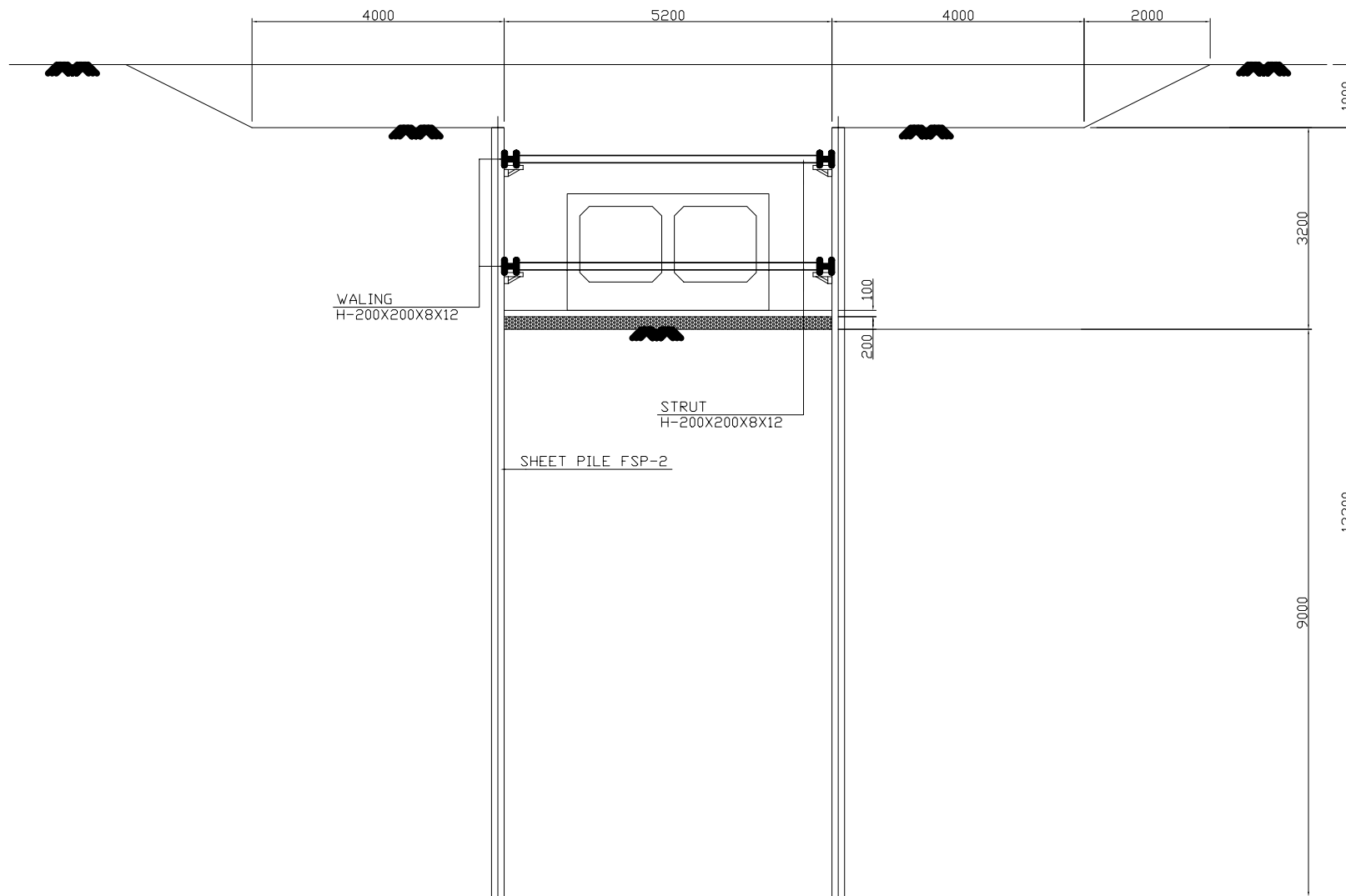
DETAIL a

NO.	DATE	DESCRIPTIONS	BY	APRO.
A	04/JAN	DETAIL CHANGED		
REVISIONS				
PROJECT MANAGEMENT UNIT FOR HO CHI MINH CITY WATER ENVIRONMENT IMPROVEMENT				
THE DETAILED DESIGN ON HO CHI MINH CITY WATER ENVIRONMENT IMPROVEMENT PROJECT IN THE SOCIALIST REPUBLIC OF VIET NAM				
PACKAGE D CONVEYANCE SEWER CONSTRUCTION TEMPORARY STRUCTURE OF TIMBER WALL (REFERENCE)				
SCALE : AS SHOWN				
JAPAN INTERNATIONAL COOPERATION AGENCY (JICA)				
PACIFIC CONSULTANTS INTERNATIONAL				
DESIGNED KATSUKI TAKAAKI		CHECKED KONDO MASAMI		
DATE : JUNE 2001		DWG. No. PD - CSC - 230		

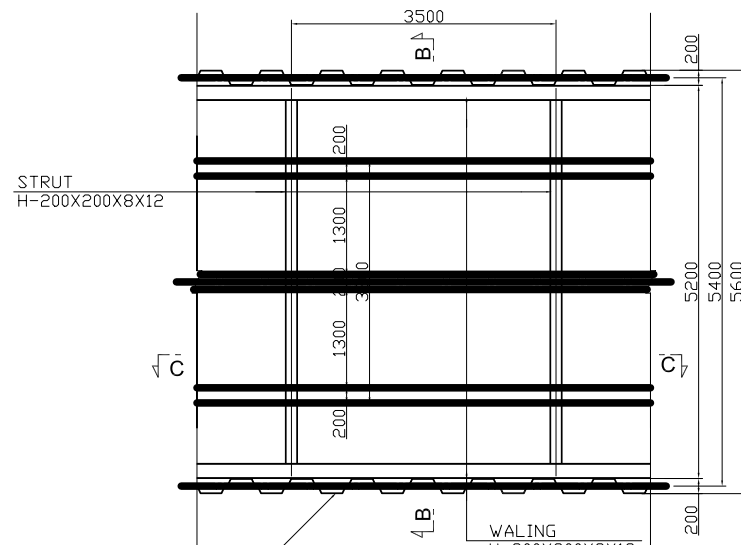
SHEET PILE SECTION LINE NUMBER CM17 ~ CM38, CM39 ~ CM42



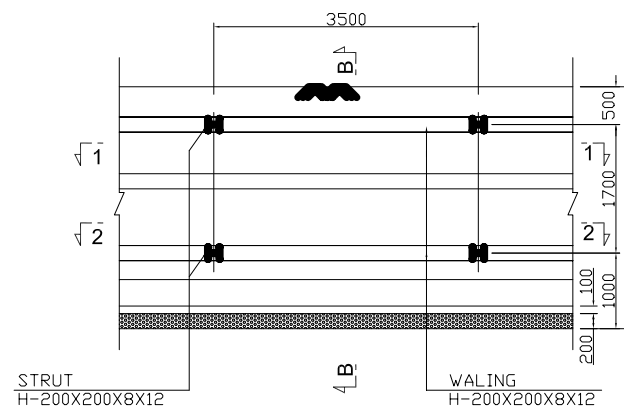
SECTION B-B
LINE NUMBER CM17 ~ CM25
CM39 ~ CM42



SECTION B-B
LINE NUMBER CM26 ~ CM38



SECTION 1-1, 2-2



SECTION A-A

NO.	DATE	DESCRIPTIONS	BY	APRO.
A	04/JAN	DETAIL CHANGED		

REVISIONS

PROJECT MANAGEMENT UNIT FOR
HO CHI MINH CITY
WATER ENVIRONMENT IMPROVEMENT

THE DETAILED DESIGN ON HO CHI MINH CITY
WATER ENVIRONMENT IMPROVEMENT PROJECT
IN THE SOCIALIST REPUBLIC OF VIET NAM

PACKAGE D
CONVEYANCE SEWER CONSTRUCTION
TEMPORARY STRUCTURE OF
SHEET PILE
(REFERENCE)

SCALE : AS SHOWN

JAPAN INTERNATIONAL COOPERATION
AGENCY (JICA)

PACIFIC CONSULTANTS INTERNATIONAL

DESIGNED KATSUKI TAKAAKI	CHECKED KONDO MASAMI
-----------------------------	-------------------------

DATE : JUNE 2001 DWG. No. PD - CSC - 231