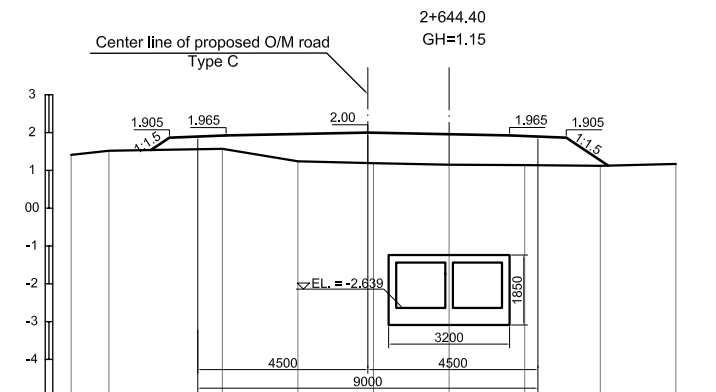
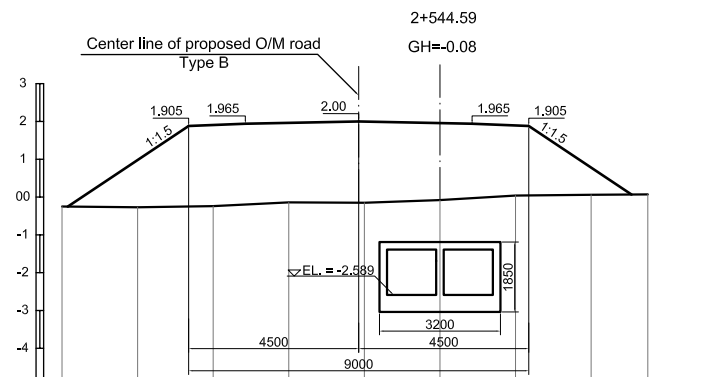


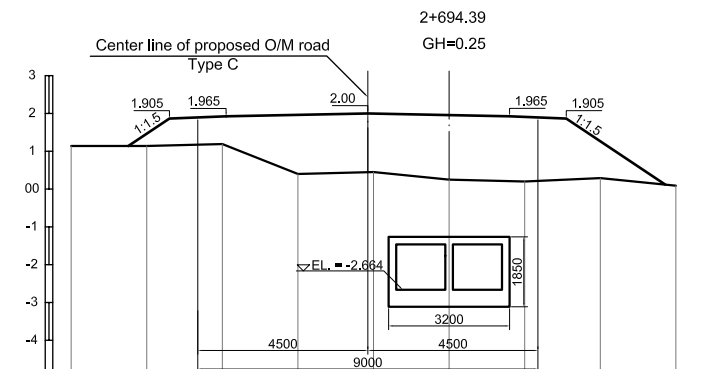
Ground Elevation (m)	0.80	0.79	0.86	0.85	0.96	1.38	1.36	1.38	1.39	1.46
Distance (m)	0.00	2.00	2.00	2.00	2.00	0.70	1.30	3.00	1.00	1.50
Acc. Distance (m)	0.00	2.00	4.00	6.00	8.00	8.70	10.00	13.00	14.00	15.50



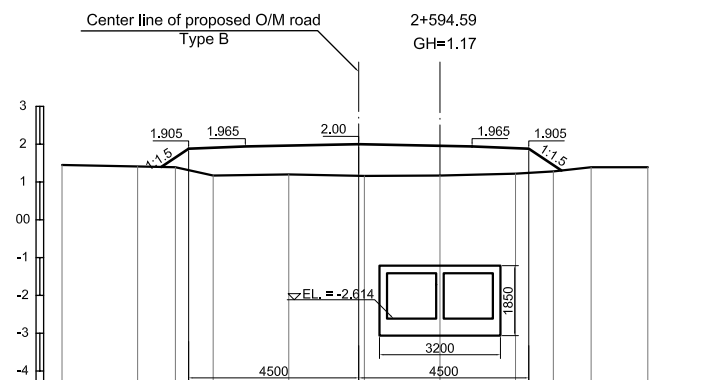
Ground Elevation (m)	1.41	1.52	1.57	1.24	1.19	1.15	1.14	1.12	1.17
Distance (m)	0.00	1.00	3.00	2.00	2.00	2.00	2.00	2.00	2.00
Acc. Distance (m)	0.00	1.00	4.00	6.00	8.00	10.00	12.00	14.00	16.00



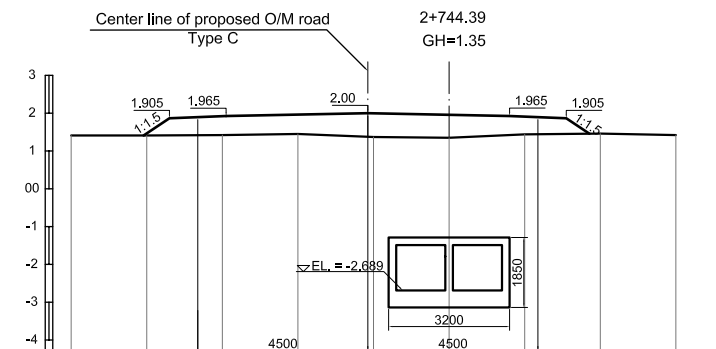
Ground Elevation (m)	-0.25	-0.27	-0.24	-0.14	-0.15	-0.08	0.04	0.06	0.07
Distance (m)	0.00	2.00	2.00	2.00	2.00	2.00	2.00	2.00	1.50
Acc. Distance (m)	0.00	2.00	4.00	6.00	8.00	10.00	12.00	14.00	15.50



Ground Elevation (m)	1.14	1.14	1.19	0.40	0.45	0.25	0.20	0.29	0.09
Distance (m)	0.00	2.00	2.00	2.00	2.00	2.00	2.00	2.00	2.00
Acc. Distance (m)	0.00	2.00	4.00	6.00	8.00	10.00	12.00	14.00	16.00



Ground Elevation (m)	1.45	1.41	1.39	1.17	1.20	1.16	1.17	1.22	1.28	1.39	1.39
Distance (m)	0.00	2.00	1.00	1.00	2.00	2.00	2.00	2.00	1.00	1.00	1.50
Acc. Distance (m)	0.00	2.00	3.00	4.00	6.00	8.00	10.00	12.00	13.00	14.00	15.50



Ground Elevation (m)	1.41	1.41	1.42	1.45	1.37	1.35	1.44	1.46	1.42
Distance (m)	0.00	2.00	2.00	2.00	2.00	2.00	2.00	2.00	2.00
Acc. Distance (m)	0.00	2.00	4.00	6.00	8.00	10.00	12.00	14.00	16.00

NO.	DATE	DESCRIPTIONS	BY	APRO.

REVISIONS

PROJECT MANAGEMENT UNIT FOR
HO CHI MINH CITY
WATER ENVIRONMENT IMPROVEMENT

THE DETAILED DESIGN ON HO CHI MINH CITY
WATER ENVIRONMENT IMPROVEMENT PROJECT
IN THE SOCIALIST REPUBLIC OF VIET NAM

PACKAGE D
CONVEYANCE SEWER CONSTRUCTION

CROSS SECTION
OF CONVEYANCE SEWER
AND O/M ROAD (9)

SCALE : 1 : 100

JICA JAPAN INTERNATIONAL COOPERATION
AGENCY (JICA)

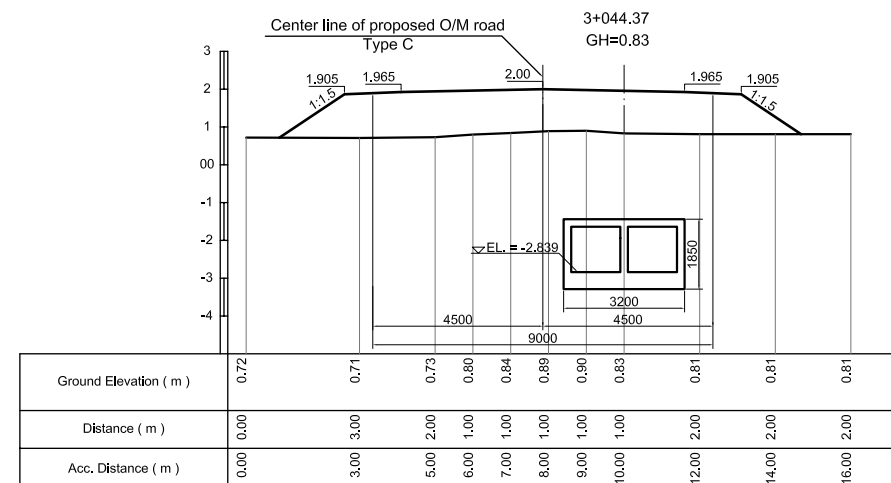
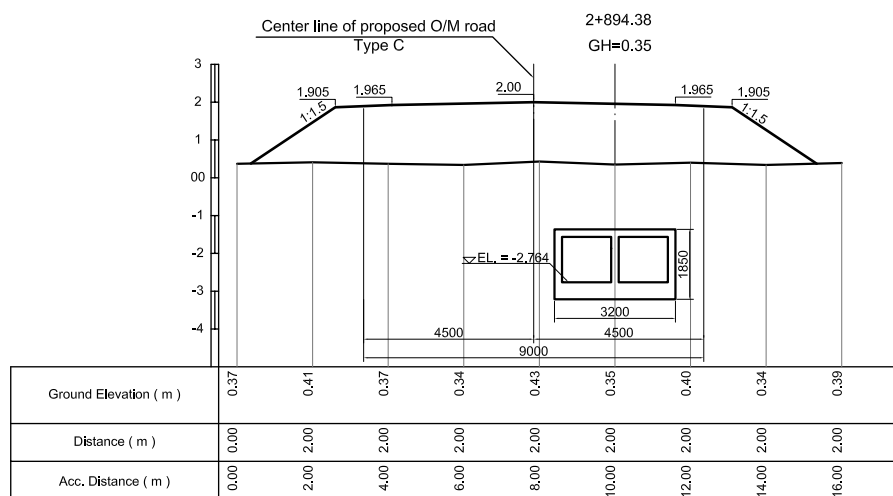
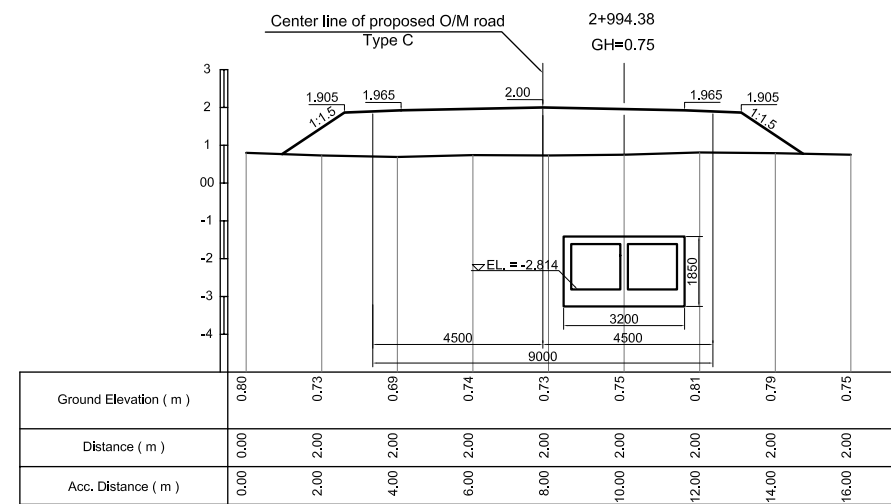
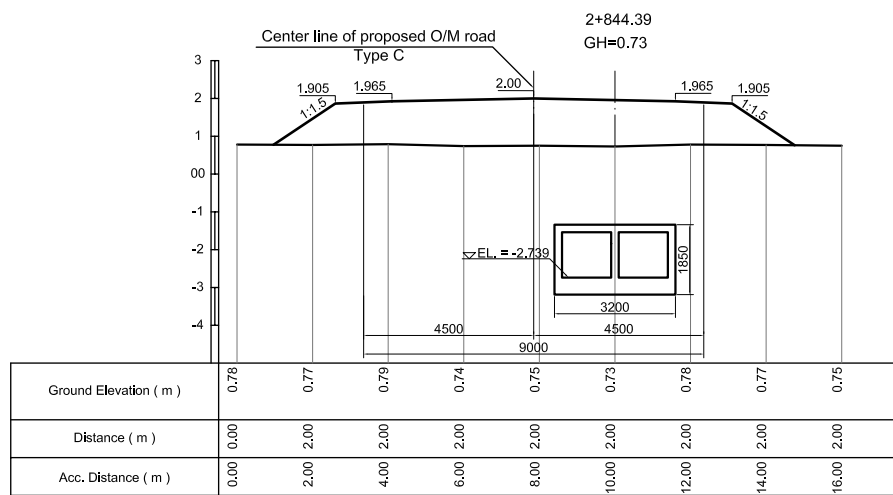
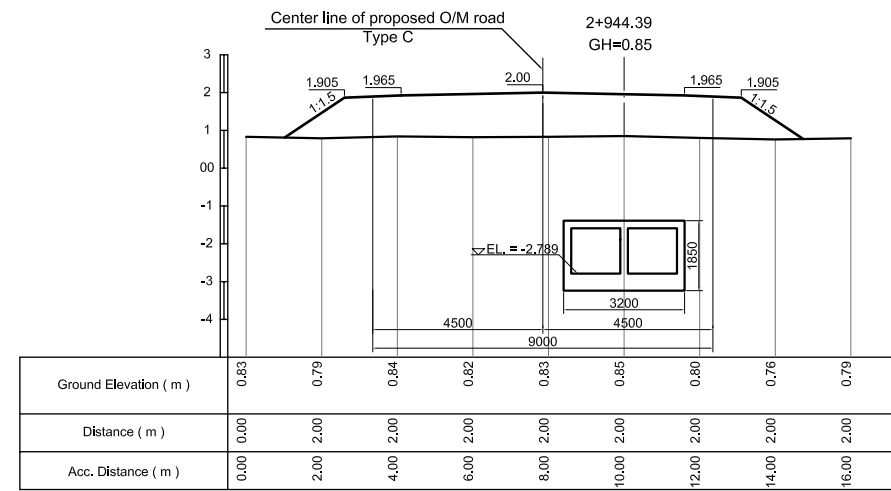
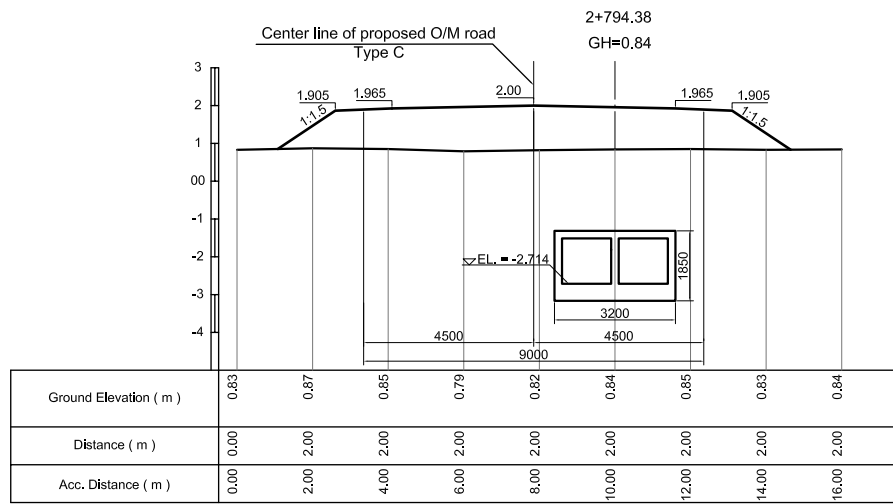
PACIFIC CONSULTANTS INTERNATIONAL

DESIGNED
KATSUKI TAKAAKI

CHECKED
KONDO MASAMI

DATE : JUNE 2001

DWG. No. PD - CSC - 221



NO.	DATE	DESCRIPTIONS	BY	APRO.

REVISIONS

PROJECT MANAGEMENT UNIT FOR
HO CHI MINH CITY
WATER ENVIRONMENT IMPROVEMENT

THE DETAILED DESIGN ON HO CHI MINH CITY
WATER ENVIRONMENT IMPROVEMENT PROJECT
IN THE SOCIALIST REPUBLIC OF VIET NAM

PACKAGE D
CONVEYANCE SEWER CONSTRUCTION

CROSS SECTION
OF CONVEYANCE SEWER
AND O/M ROAD (10)

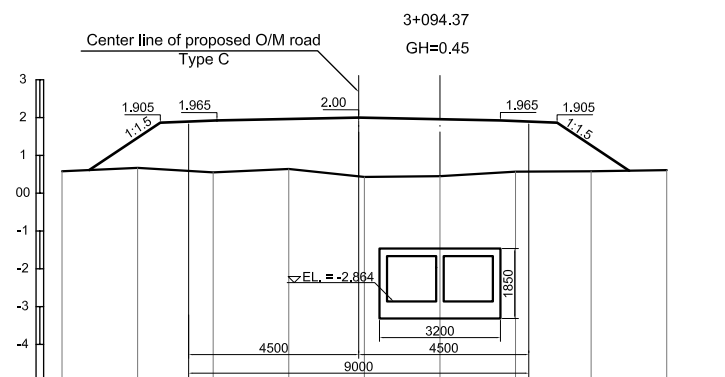
SCALE : 1 : 100

JICA JAPAN INTERNATIONAL COOPERATION
AGENCY (JICA)

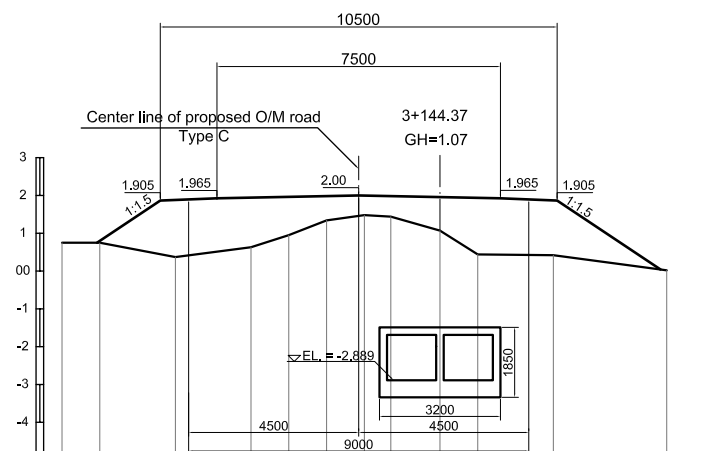
PACIFIC CONSULTANTS INTERNATIONAL

DESIGNED KATSUKI TAKAAKI	CHECKED KONDO MASAMI
-----------------------------	-------------------------

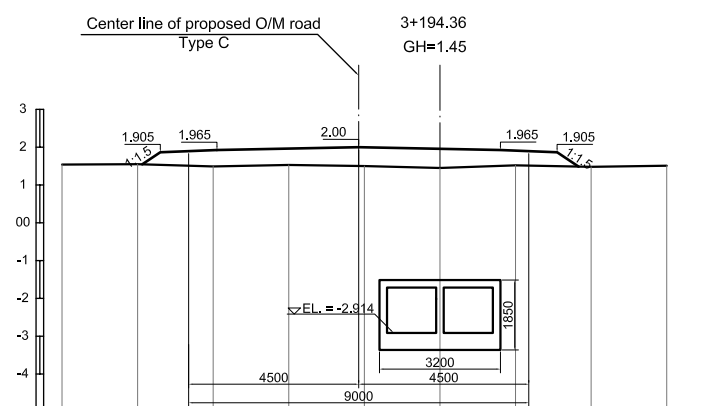
DATE : JUNE 2001 DWG. No. PD - CSC - 222



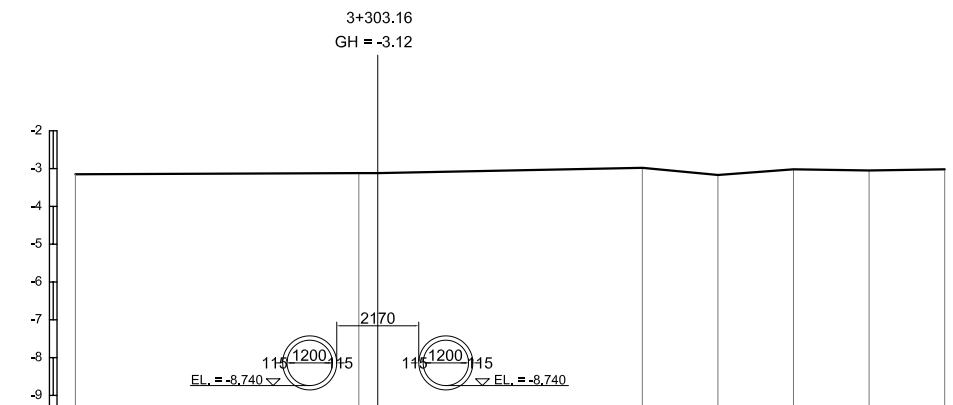
Ground Elevation (m)	0.58	0.67	0.55	0.64	0.43	0.45	0.57	0.58	0.61
Distance (m)	0.00	2.00	2.00	2.00	2.00	2.00	2.00	2.00	2.00
Acc. Distance (m)	0.00	2.00	4.00	6.00	8.00	10.00	12.00	14.00	16.00



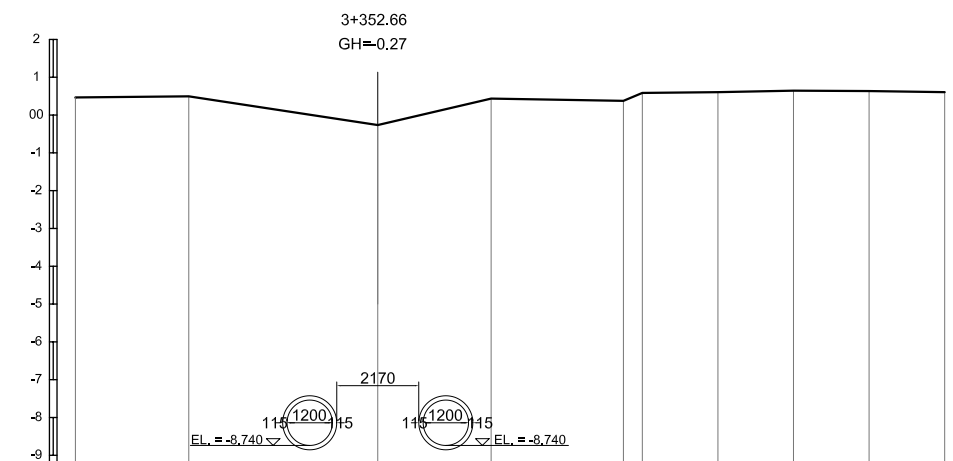
Ground Elevation (m)	0.75	0.75	0.37	0.63	0.95	1.34	1.48	1.44	1.07	0.44	0.42	0.02
Distance (m)	0.00	1.00	2.00	2.00	1.00	1.00	1.00	0.70	1.30	1.00	2.00	3.00
Acc. Distance (m)	0.00	1.00	3.00	5.00	6.00	7.00	8.00	8.70	10.00	11.00	13.00	16.00



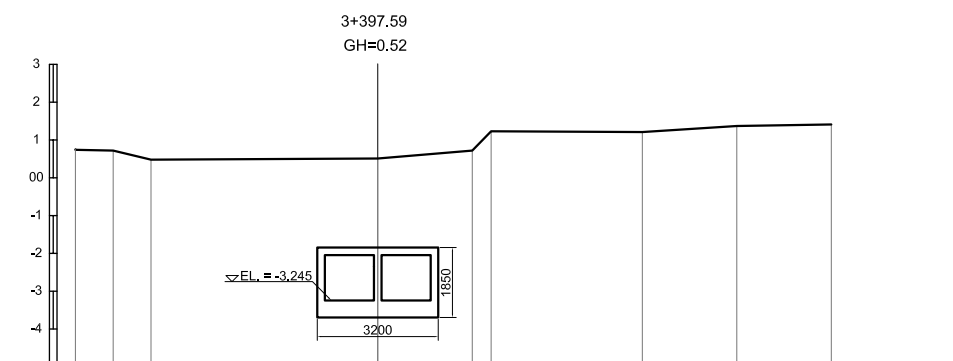
Ground Elevation (m)	1.54	1.55	1.49	1.53	1.50	1.45	1.52	1.48	1.51
Distance (m)	0.00	2.00	2.00	2.00	2.00	2.00	2.00	2.00	2.00
Acc. Distance (m)	0.00	2.00	4.00	6.00	8.00	10.00	12.00	14.00	16.00



Ground Elevation (m)	-3.15	-3.12	-3.12	-2.98	-3.17	-3.02	-3.05	-3.02
Distance (m)	0.00	7.50	8.00	7.00	2.00	2.00	2.00	2.00
Acc. Distance (m)	0.00	7.50	8.00	15.00	17.00	19.00	21.00	23.00



Ground Elevation (m)	0.46	0.49	-0.27	0.43	0.37	0.58	0.60	0.64	0.63	0.60
Distance (m)	0.00	3.00	5.00	3.00	3.50	0.50	2.00	2.00	2.00	2.00
Acc. Distance (m)	0.00	3.00	8.00	11.00	14.50	15.00	17.00	19.00	21.00	23.00



Ground Elevation (m)	0.75	0.73	0.49	0.52	0.73	1.24	1.22	1.38	1.42
Distance (m)	0.00	1.00	1.00	6.00	2.50	0.50	4.00	2.50	2.50
Acc. Distance (m)	0.00	1.00	2.00	8.00	10.50	11.00	15.00	17.50	20.00

NO.	DATE	DESCRIPTIONS	BY	APRO.

REVISIONS

PROJECT MANAGEMENT UNIT FOR
HO CHI MINH CITY
WATER ENVIRONMENT IMPROVEMENT

THE DETAILED DESIGN ON HO CHI MINH CITY
WATER ENVIRONMENT IMPROVEMENT PROJECT
IN THE SOCIALIST REPUBLIC OF VIET NAM

PACKAGE D
CONVEYANCE SEWER CONSTRUCTION
**CROSS SECTION
OF CONVEYANCE SEWER
AND O/M ROAD (11)**

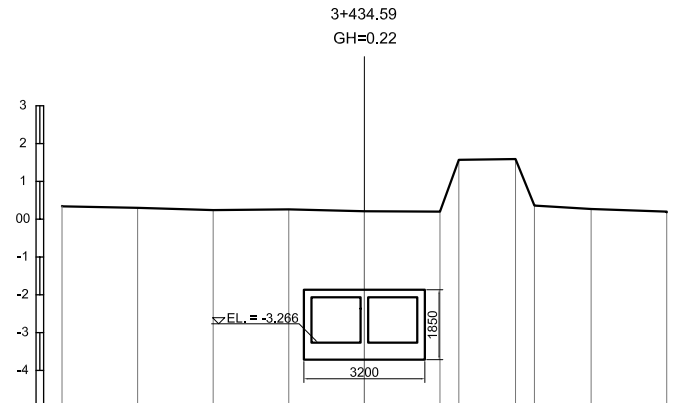
SCALE : 1 : 100

JICA JAPAN INTERNATIONAL COOPERATION
AGENCY (JICA)

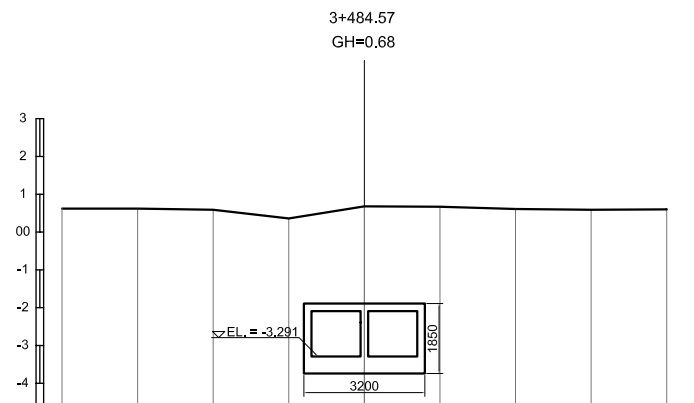
PACIFIC CONSULTANTS INTERNATIONAL

DESIGNED KATSUKI TAKAAKI	CHECKED KONDO MASAMI
-----------------------------	-------------------------

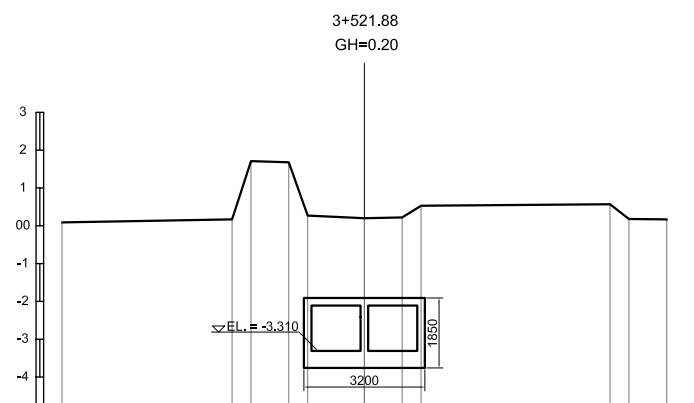
DATE : JUNE 2001 DWG. No. PD - CSC - 223



Ground Elevation (m)	0.35	0.31	0.25	0.27	0.22	0.21	1.58	1.60	0.37	0.28	0.21
Distance (m)	0.00	2.00	2.00	2.00	2.00	2.00	0.50	1.50	0.50	1.50	2.00
Acc. Distance (m)	0.00	2.00	4.00	6.00	8.00	10.00	10.50	12.00	12.50	14.00	16.00



Ground Elevation (m)	0.62	0.62	0.59	0.36	0.68	0.67	0.61	0.59	0.60
Distance (m)	0.00	2.00	2.00	2.00	2.00	2.00	2.00	2.00	2.00
Acc. Distance (m)	0.00	2.00	4.00	6.00	8.00	10.00	12.00	14.00	16.00



Ground Elevation (m)	0.09	0.17	0.71	1.68	0.27	0.20	0.22	0.53	0.57	0.18	0.17
Distance (m)	0.00	4.50	0.50	1.00	0.50	1.50	1.00	0.50	5.00	0.50	1.00
Acc. Distance (m)	0.00	4.50	5.00	6.00	6.50	8.00	9.00	9.50	14.50	15.00	16.00

NO.	DATE	DESCRIPTIONS	BY	APRO.

REVISIONS

PROJECT MANAGEMENT UNIT FOR
HO CHI MINH CITY
WATER ENVIRONMENT IMPROVEMENT

THE DETAILED DESIGN ON HO CHI MINH CITY
WATER ENVIRONMENT IMPROVEMENT PROJECT
IN THE SOCIALIST REPUBLIC OF VIET NAM

PACKAGE D
CONVEYANCE SEWER CONSTRUCTION
**CROSS SECTION
OF CONVEYANCE SEWER
AND O/M ROAD (12)**

SCALE : 1 : 100

JICA JAPAN INTERNATIONAL COOPERATION
AGENCY (JICA)

PACIFIC CONSULTANTS INTERNATIONAL

DESIGNED KATSUKI TAKAAKI	CHECKED KONDO MASAMI
-----------------------------	-------------------------

DATE : JUNE 2001 DWG. No. PD - CSC - 224