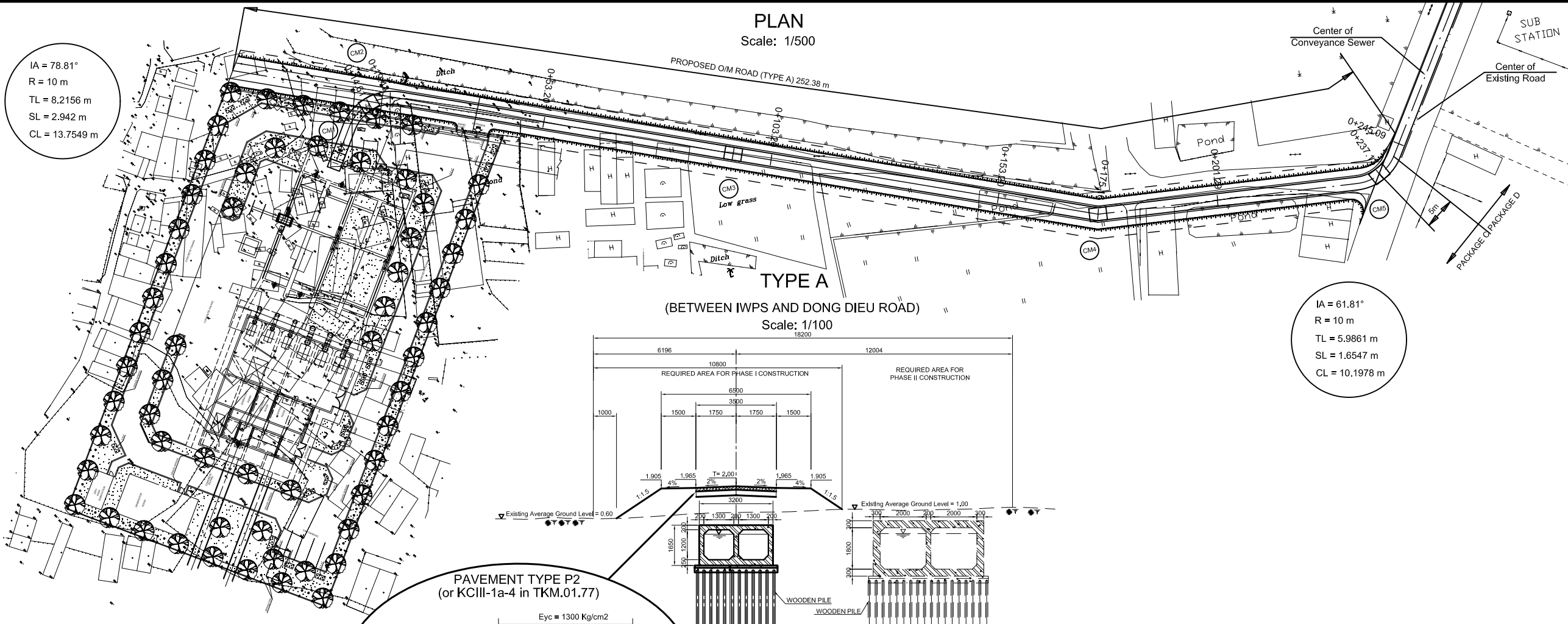


CONVEYANCE SEWER CONSTRUCTION

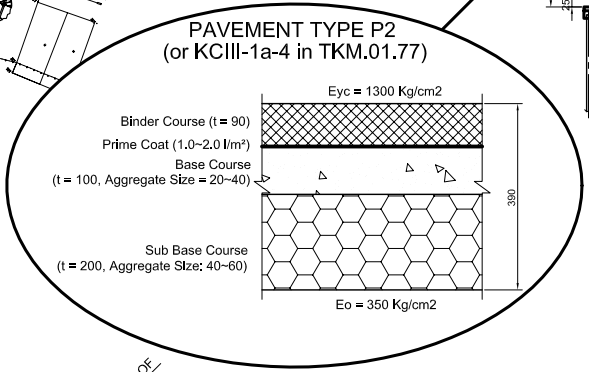
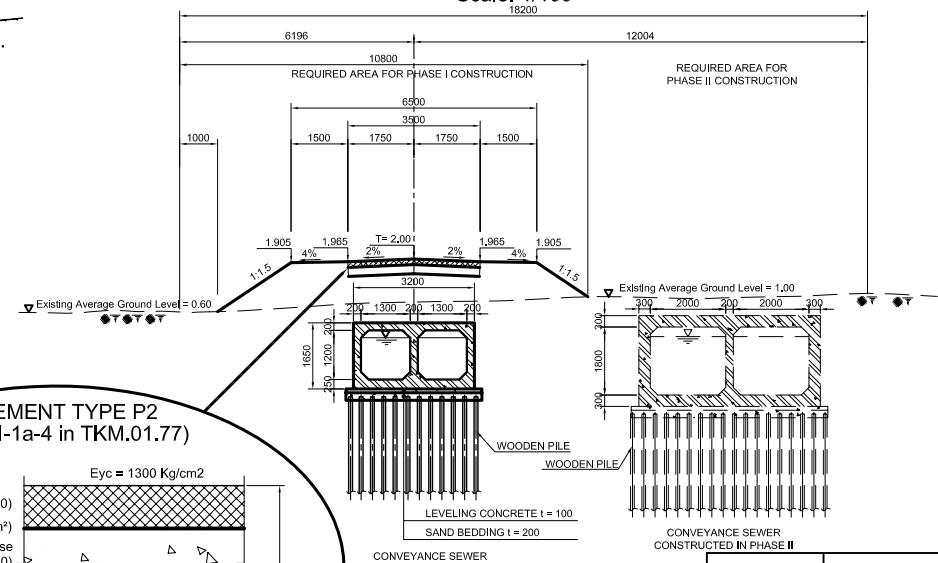
PLAN
Scale: 1/500

IA = 78.81°
R = 10 m
TL = 8.2156 m
SL = 2.942 m
CL = 13.7549 m



IA = 61.81°
R = 10 m
TL = 5.9861 m
SL = 1.6547 m
CL = 10.1978 m

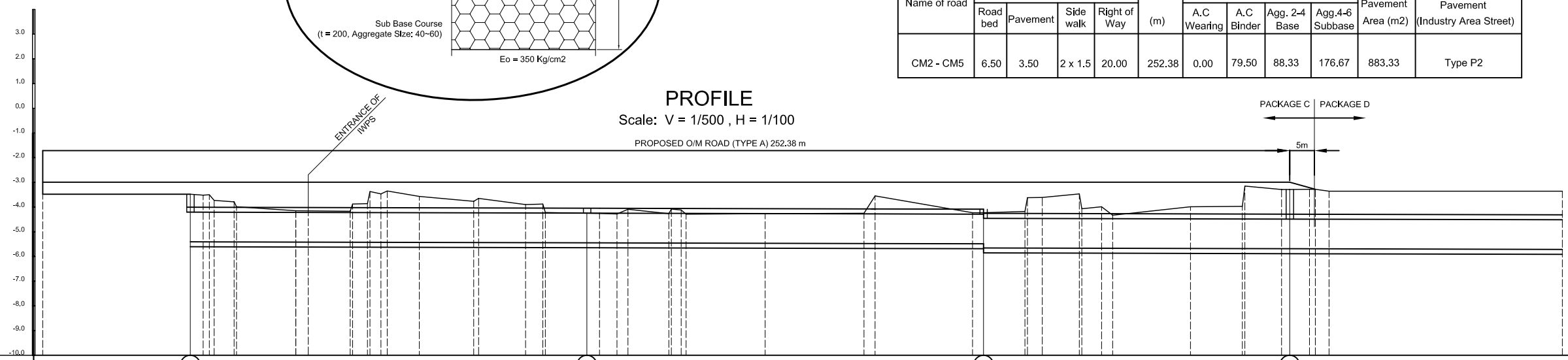
TYPE A
(BETWEEN IWPS AND DONG DIEU ROAD)
Scale: 1/100



PAVEMENT STRUCTURE OF O/M ROAD

Name of road	Wide of ... (m)				Length (m)	Detail Quantity of Pavement (m3)				New Pavement Area (m2)	Type of New Pavement (Industry Area Street)
	Road bed	Pavement	Side walk	Right of Way		A.C Wearing	A.C Binder	Agg. 2-4 Base	Agg. 4-6 Subbase		
CM2 - CM5	6.50	3.50	2 x 1.5	20.00	252.38	0.00	79.50	88.33	176.67	883.33	Type P2

PROFILE
Scale: V = 1/500, H = 1/100



Manhole Number	CM2	CM3	CM4	CM5
Dimension (m)	Double Cell Culvert (2x1300x1200)		Double Cell Culvert (2x1300x1200)	
Gradient (%)	0.5		0.5	
Length (m)	80.27		80.28	
Design Ground Elevation (m)	2.00		2.00	
Existing Ground Elevation (m)	1.52	1.52	0.77	0.77
Earth Covering (m)	1.010	1.050	1.230	1.230
Invert Elevation (m)	-0.407	-0.447	-0.457	-0.457
Total Accumulation Length (m)	0.00	14.61	175.16	252.32

NO.	DATE	DESCRIPTIONS	BY	APRO.

REVISIONS

PROJECT MANAGEMENT UNIT FOR
HO CHI MINH CITY
WATER ENVIRONMENT IMPROVEMENT

THE DETAILED DESIGN ON HO CHI MINH CITY
WATER ENVIRONMENT IMPROVEMENT PROJECT
IN THE SOCIALIST REPUBLIC OF VIET NAM

PACKAGE C
CONVEYANCE SEWER CONSTRUCTION
**PLAN AND PROFILE
OF CONVEYANCE SEWER
AND O/M ROAD**

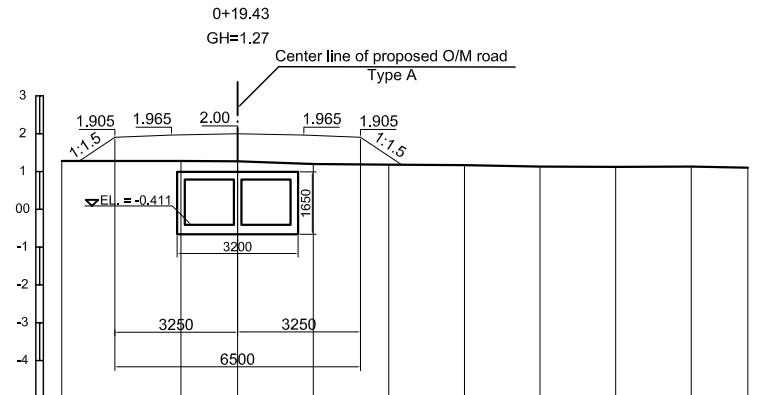
SCALE : AS SHOWN

JICA JAPAN INTERNATIONAL COOPERATION AGENCY (JICA)

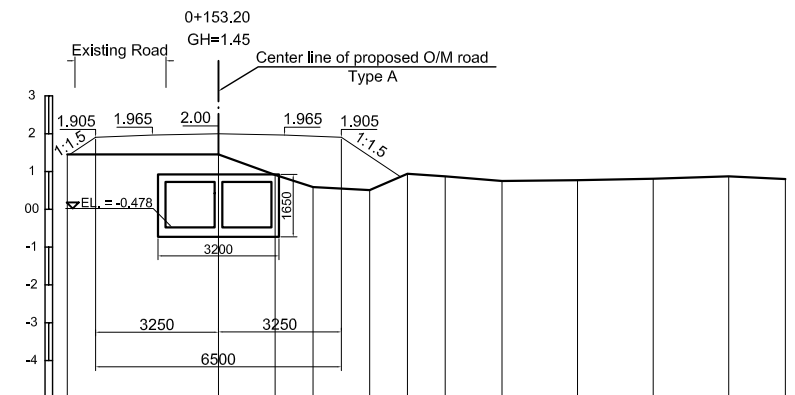
PACIFIC CONSULTANTS INTERNATIONAL

DESIGNED: KATSUKI TAKAAKI
CHECKED: KONDO MASAMI

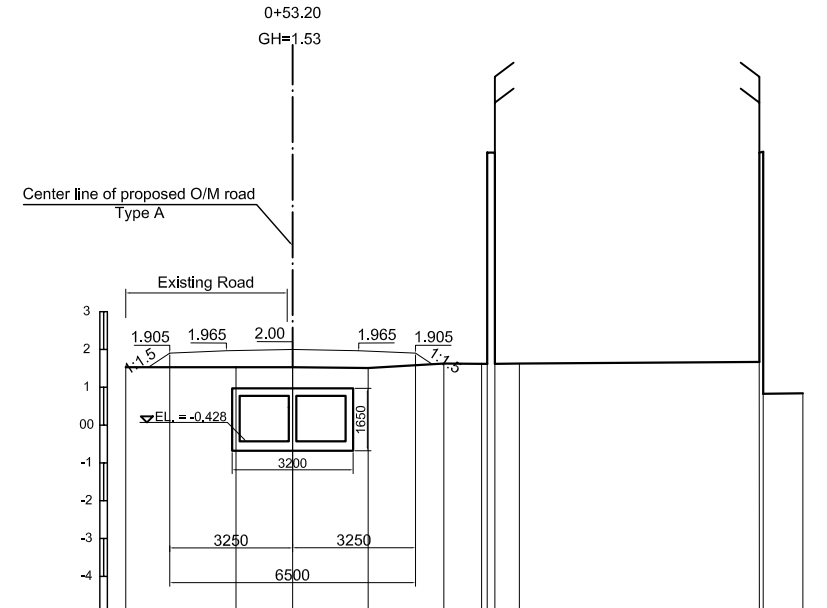
DATE : JUNE 2001 DWG. No. PC - CSC - 201



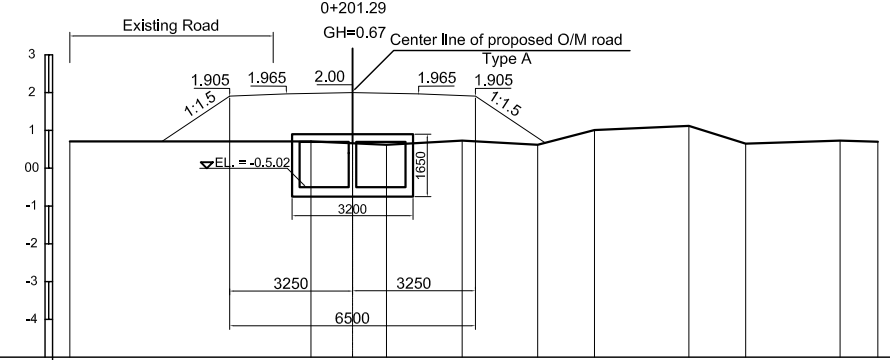
Ground Elevation (m)	1.28	1.28	1.27	1.20	1.18	1.17	1.13	1.12	1.13	1.10
Distance (m)	0.00	3.15	4.65	6.65	8.65	10.65	12.65	14.65	16.65	18.15
Acc. Distance (m)	0.00	3.15	4.65	6.65	8.65	10.65	12.65	14.65	16.65	18.15



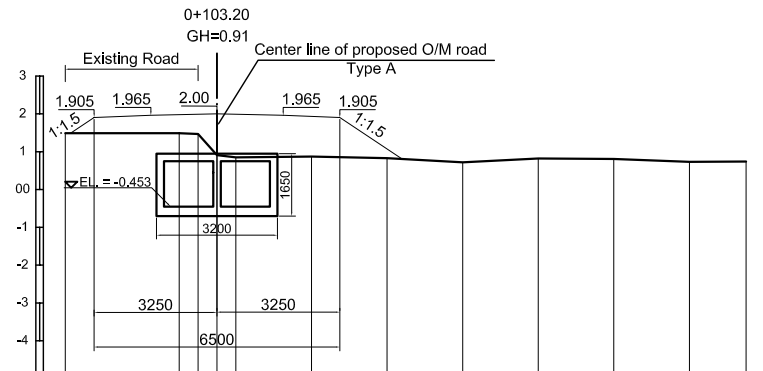
Ground Elevation (m)	1.45	1.45	0.91	0.59	0.51	0.94	0.87	0.75	0.77	0.81	0.87	0.80
Distance (m)	0.00	4.00	5.50	6.50	8.00	9.00	10.00	11.50	13.50	15.50	17.50	19.00
Acc. Distance (m)	0.00	4.00	5.50	6.50	8.00	9.00	10.00	11.50	13.50	15.50	17.50	19.00



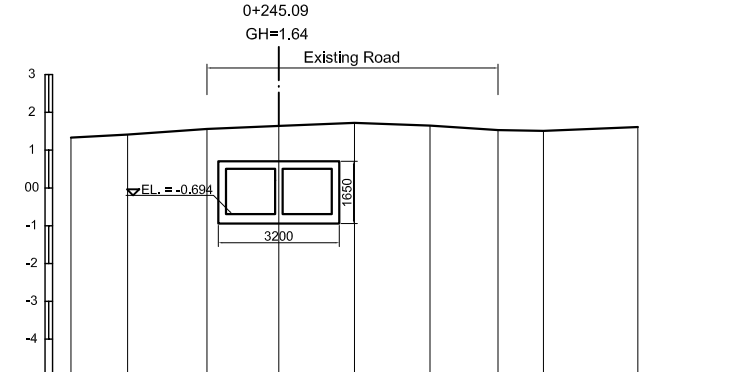
Ground Elevation (m)	1.53	1.53	1.53	1.51	1.63	1.62	1.62	1.62	1.62	1.63	1.16	1.67	1.63	0.94
Distance (m)	0.00	2.91	4.41	5.21	5.41	6.41	8.41	9.41	10.41	12.41	12.51	14.41	16.41	17.91
Acc. Distance (m)	0.00	2.91	4.41	5.21	5.41	6.41	8.41	9.41	10.41	12.41	12.51	14.41	16.41	17.91



Ground Elevation (m)	0.71	0.71	0.67	0.62	0.73	0.62	1.01	1.12	0.65	0.73	0.70
Distance (m)	0.00	6.38	7.48	8.38	10.38	12.38	13.88	16.38	17.88	20.38	21.38
Acc. Distance (m)	0.00	6.38	7.48	8.38	10.38	12.38	13.88	16.38	17.88	20.38	21.38



Ground Elevation (m)	1.49	1.49	1.47	0.91	0.85	0.87	0.83	0.72	0.82	0.81	0.73	0.74
Distance (m)	0.00	3.01	3.51	4.01	4.51	6.51	8.51	10.51	12.51	14.51	16.51	18.01
Acc. Distance (m)	0.00	3.01	3.51	4.01	4.51	6.51	8.51	10.51	12.51	14.51	16.51	18.01



Ground Elevation (m)	1.33	1.41	1.56	1.64	1.72	1.65	1.53	1.51	1.61
Distance (m)	0.00	1.50	3.60	5.50	7.50	9.50	11.30	12.50	15.00
Acc. Distance (m)	0.00	1.50	3.60	5.50	7.50	9.50	11.30	12.50	15.00

NO.	DATE	DESCRIPTIONS	BY	APRO.
-----	------	--------------	----	-------

REVISIONS

PROJECT MANAGEMENT UNIT FOR
HO CHI MINH CITY
WATER ENVIRONMENT IMPROVEMENT

THE DETAILED DESIGN ON HO CHI MINH CITY
WATER ENVIRONMENT IMPROVEMENT PROJECT
IN THE SOCIALIST REPUBLIC OF VIET NAM

PACKAGE C
CONVEYANCE SEWER DEVELOPMENT

CROSS SECTION OF CONVEYANCE SEWER AND O/M ROAD

SCALE : 1 : 100

JICA JAPAN INTERNATIONAL COOPERATION
AGENCY (JICA)

PACIFIC CONSULTANTS INTERNATIONAL

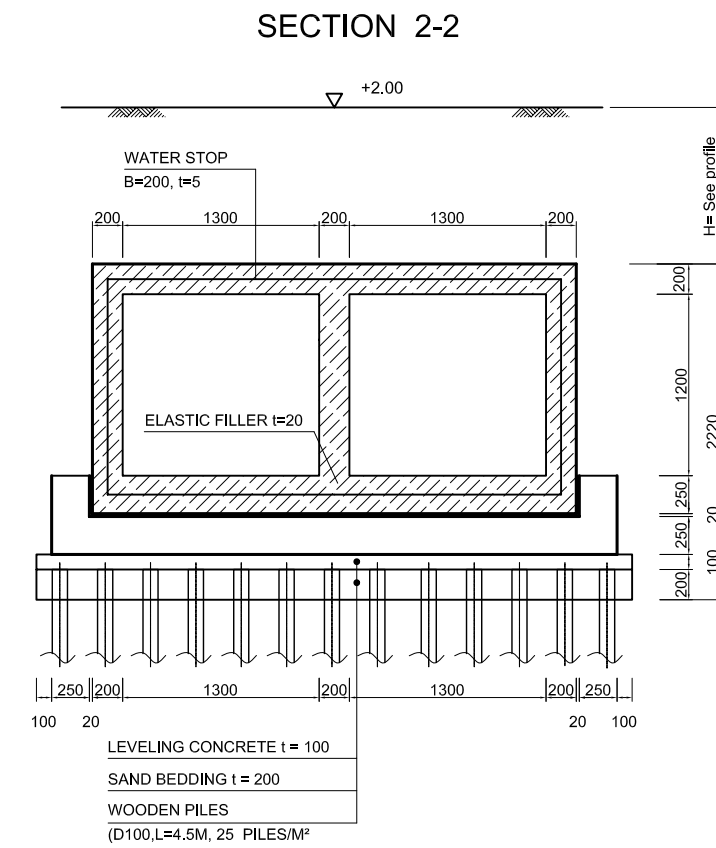
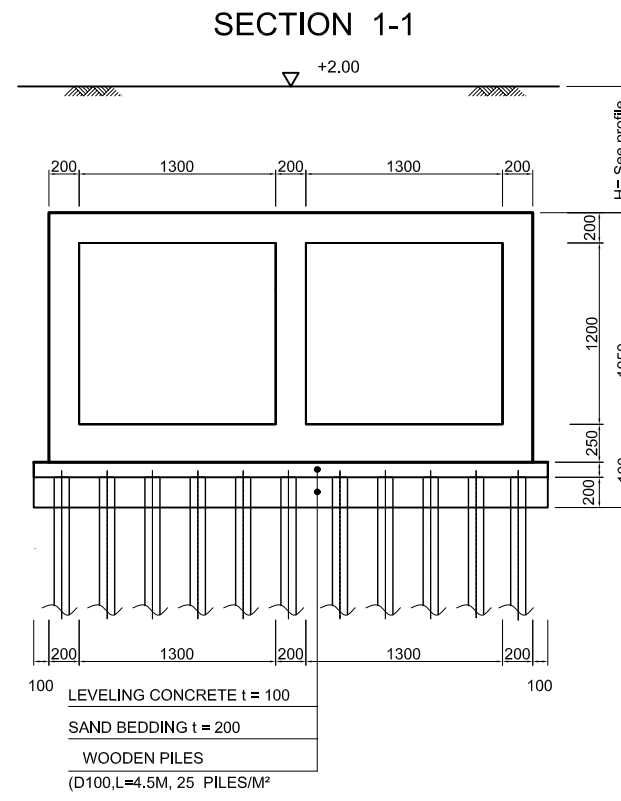
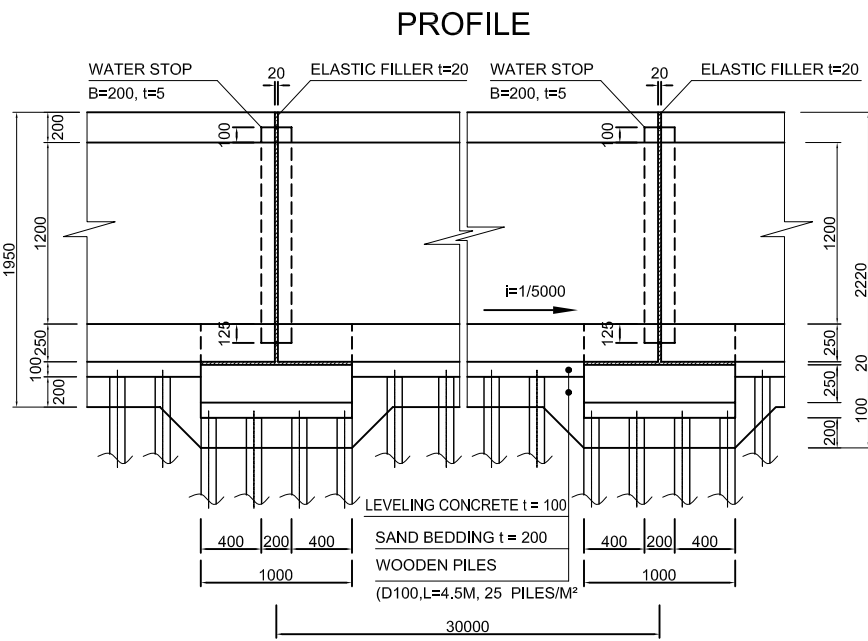
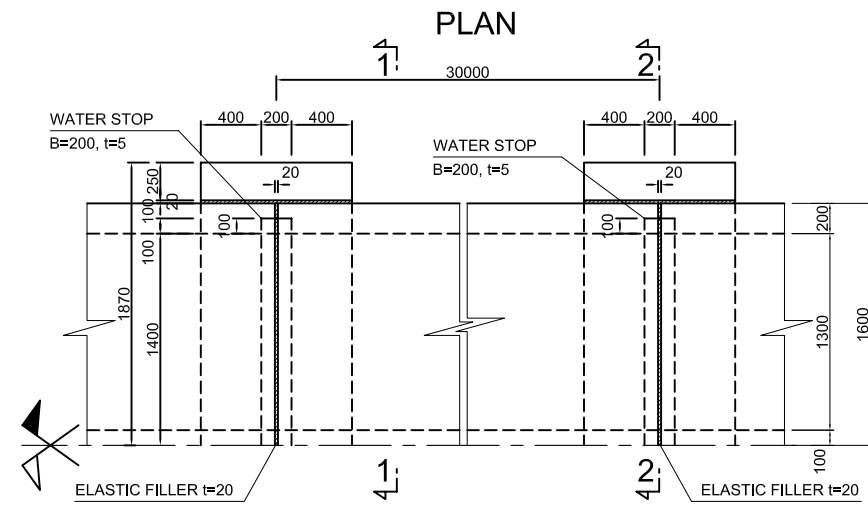
DESIGNED
KATSUKI TAKAOKI

CHECKED
KONDO MASAMI

DATE : JUNE 2001

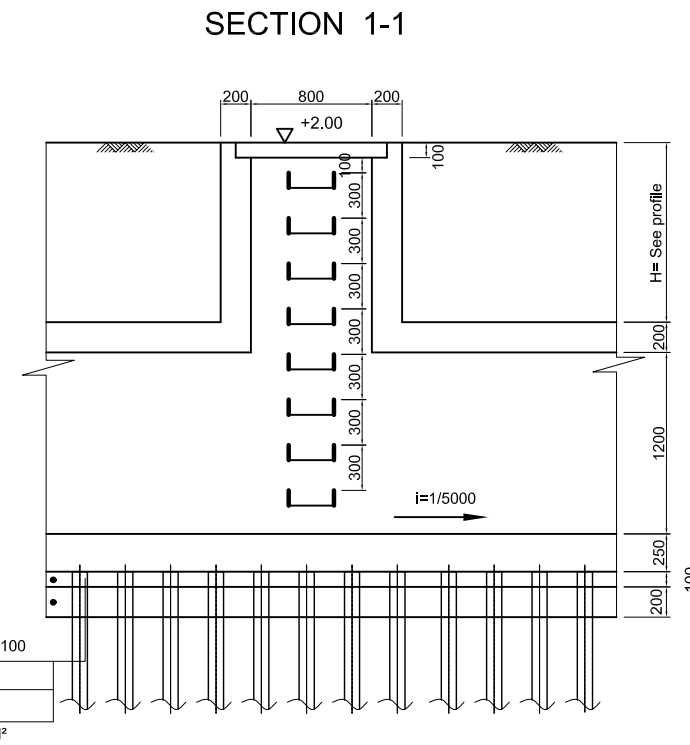
DWG. No. PC - CSC - 202

CONVEYANCE SEWER TYPE 1

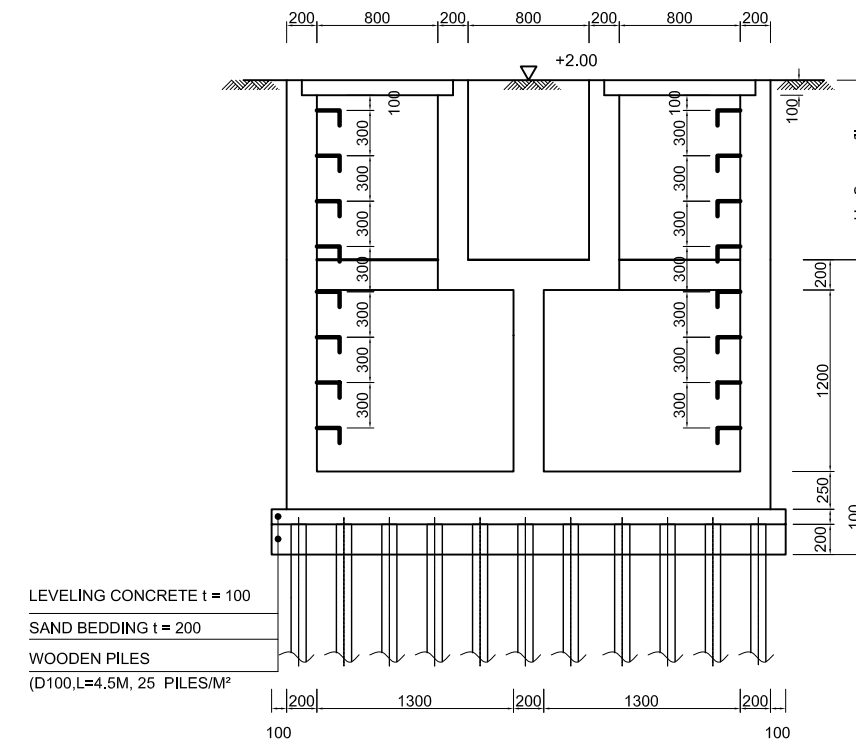


MANHOLE

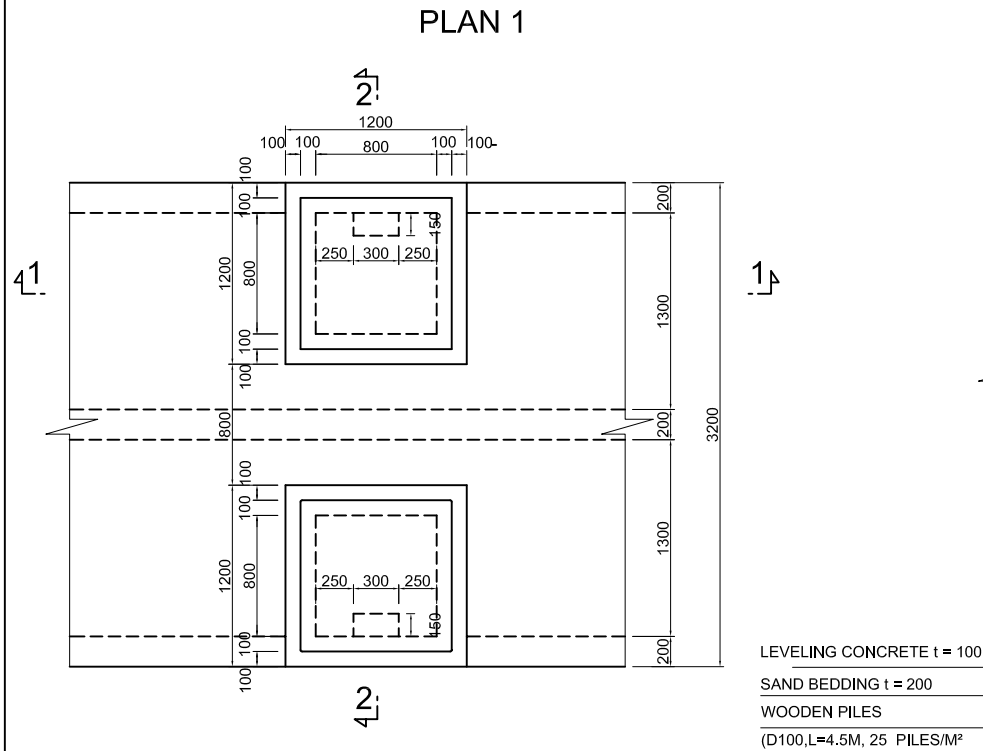
SECTION 1-1



SECTION 2-2

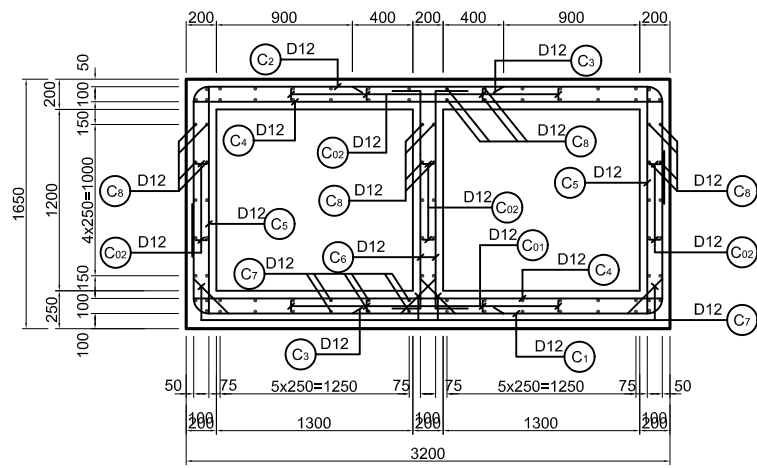


PLAN 1

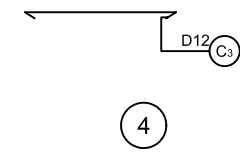
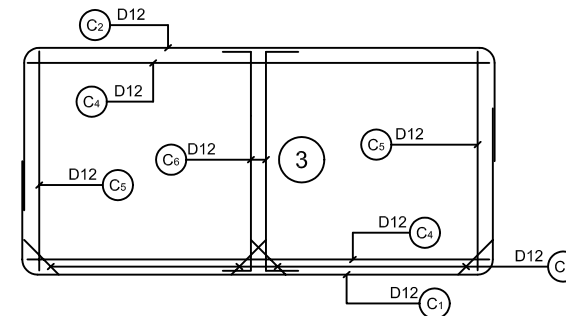
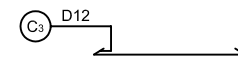
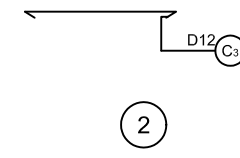
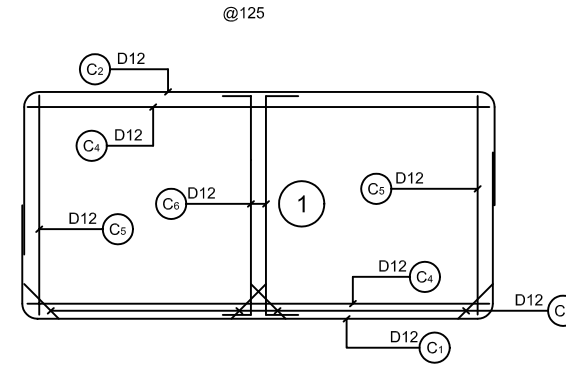


NO.	DATE	DESCRIPTIONS	BY	APRO.
REVISIONS				
PROJECT MANAGEMENT UNIT FOR HO CHI MINH CITY WATER ENVIRONMENT IMPROVEMENT				
THE DETAILED DESIGN STUDY ON HO CHI MINH CITY WATER ENVIRONMENT IMPROVEMENT PROJECT IN THE SOCIALIST REPUBLIC OF VIET NAM				
PACKAGE C CONVEYANCE SEWER CONSTRUCTION				
TYPICAL PLAN AND SECTION OF CONVEYANCE SEWER AND MANHOLE				
SCALE : 1 / 25				
JAPAN INTERNATIONAL COOPERATION AGENCY (JICA)				
PACIFIC CONSULTANTS INTERNATIONAL				
DESIGNED	CHECKED			
KATSUKI TAKAOKI	KONDO MASAMI			
DATE : JUNE 2001	DWG. No. PD - CSC - 203			

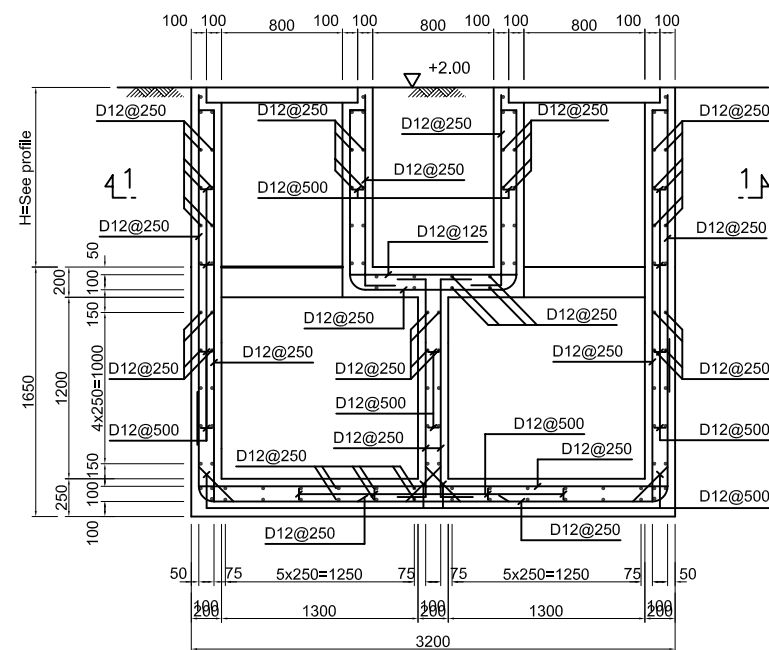
SECTION OF CONVEYANCE SEWER TYPE 1





BAR SKELETON



MANHOLE SECTION OF CONVEYANCE SEWER TYPE 1



NO.	DATE	DESCRIPTIONS	BY	APRO.
REVISIONS				
PROJECT MANAGEMENT UNIT FOR HO CHI MINH CITY WATER ENVIRONMENT IMPROVEMENT				
THE DETAILED DESIGN STUDY ON HO CHI MINH CITY WATER ENVIRONMENT IMPROVEMENT PROJECT IN THE SOCIALIST REPUBLIC OF VIET NAM				
PACKAGE C CONVEYANCE SEWER CONSTRUCTION				
BAR ARRANGEMENT OF CONVEYANCE SEWER AND MANHOLE				
SCALE : 1 / 25				
 JAPAN INTERNATIONAL COOPERATION AGENCY (JICA)				
 PACIFIC CONSULTANTS INTERNATIONAL				
DESIGNED KATSUKI TAKAAKI		CHECKED KONDO MASAMI		
DATE : JUNE 2001		DWG. No. PC - CSC - 204		