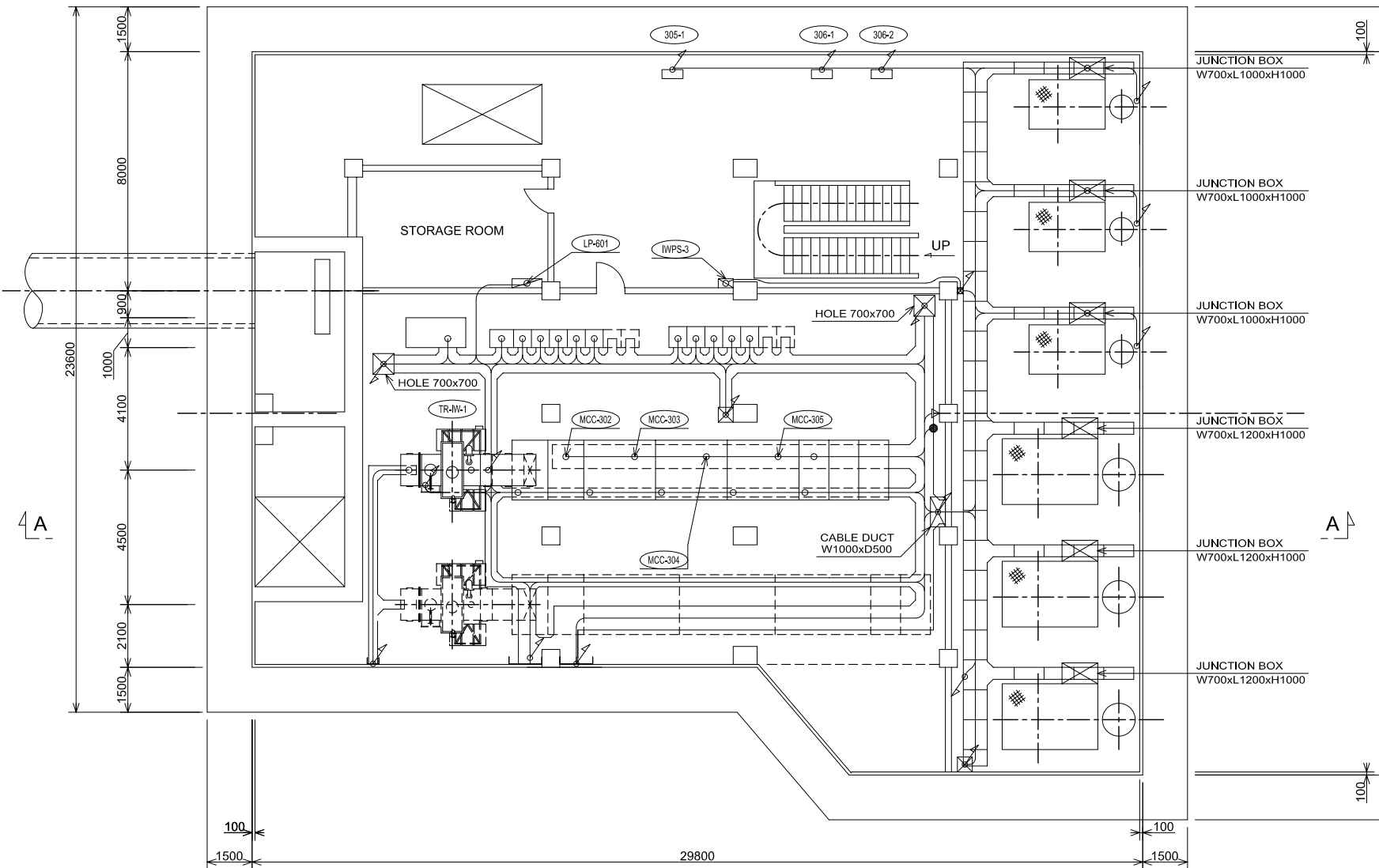
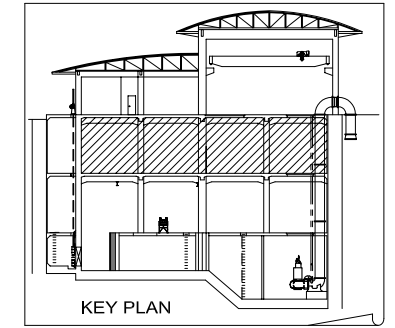




LEGEND

SYMBOL	DESCRIPTION	SYMBOL	DESCRIPTION
	EQUIPMENT ITEM No.	F ()	FLEXIBLE EMBEDDED PIPE(SIZE)
	MANHOLE	P ()	FLEXIBLE CONDUIT PIPE(SIZE)
	FLOW METER	(R)	CABLE RACK
	LEVEL METER	(P)	CABLE PIT
	LEVEL SWITCH		OUTDOOR LIGHT(N220)
	PULL BOX		INDOOR SPEAKER
	AMP		TELEPHONE SET
	RIZER POINT		
	DOWN POINT		
	LIGHTING PANEL		
	LOCAL PANEL		
	CONDUIT PIPE(SIZE)		



BASEMENT 1ST FLOOR

EQUIPMENT LIST

ITEM No.	DESCRIPTION	ITEM No.	DESCRIPTION
TR-W-1	1500kVA TRANSFORMER	LP-601	INSTRUMENT SWITCH BOX
MCC-301	22kV/380V INCOMING PANEL	305-1	AIR VENTILATION INLET FAN
MCC-302	380V DEG INCOMING PANEL	306-1	AIR VENTILATION OUTLET FAN
MCC-303	No.1 SEWAGE PUMP STARTING PANEL	306-2	AIR VENTILATION OUTLET FAN
MCC-304	No.2 SEWAGE PUMP STARTING PANEL	IMPS-3	LIGHTING BOARD
MCC-305	No.3 SEWAGE PUMP STARTING PANEL		
MCC-306	AUX.LOW VOLTAGE PANEL		
MCC-307	CAPACITOR PANEL		
MCC-308	CAPACITOR PANEL		
DC-301	DC PANEL		
CC-100	MOTOR CONTROL CENTER		
RY-30	MOTOR CONTROL RY PANEL		

NO.	DATE	DESCRIPTIONS	BY	APRO.

REVISIONS

PROJECT MANAGEMENT UNIT FOR
HO CHI MINH CITY
WATER ENVIRONMENT IMPROVEMENT

THE DETAILED DESIGN ON HO CHI MINH CITY
WATER ENVIRONMENT IMPROVEMENT PROJECT
IN THE SOCIALIST REPUBLIC OF VIET NAM

PACKAGE C
INTERMEDIATE WASTE WATER PUMPING STATION

**WIRING AND PIPING PLAN FOR
BASEMENT 1ST FLOOR**

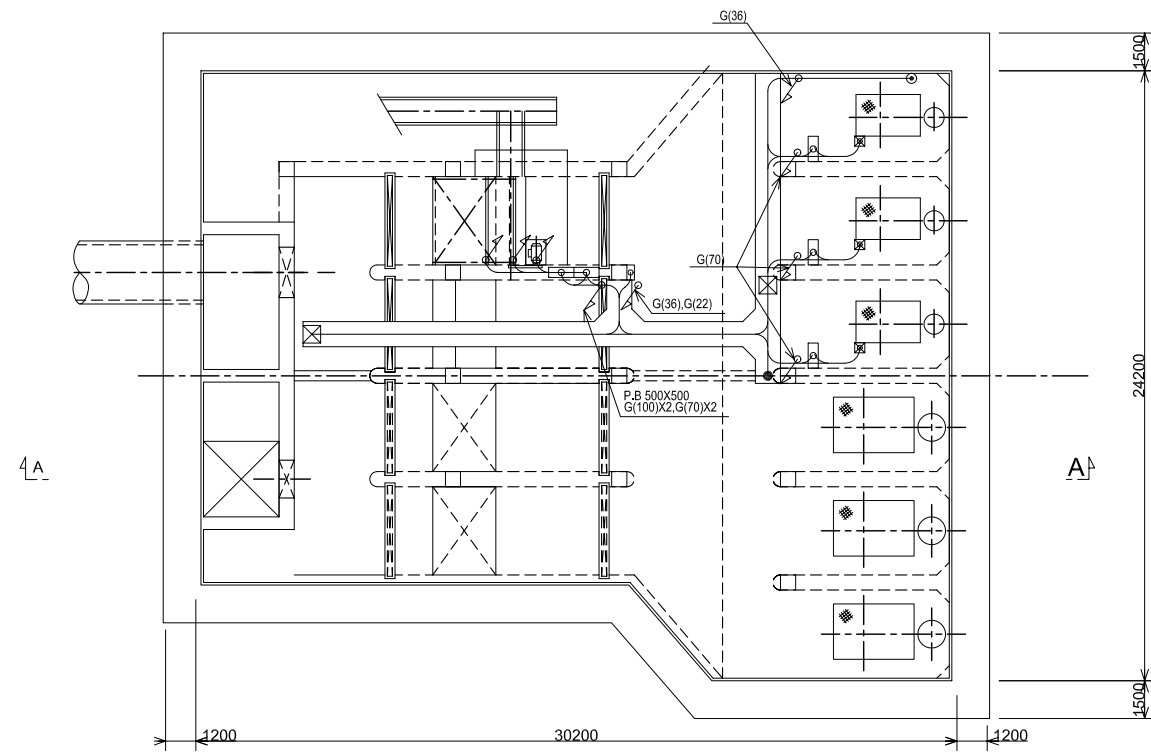
SCALE : 1/200

JAPAN INTERNATIONAL COOPERATION AGENCY (JICA)

PACIFIC CONSULTANTS INTERNATIONAL

DESIGNED KOMIYA NOBUO	CHECKED KONDO MASAMI
--------------------------	-------------------------

DATE : JUNE 2001 DWG. No. PC -IWPS - 515

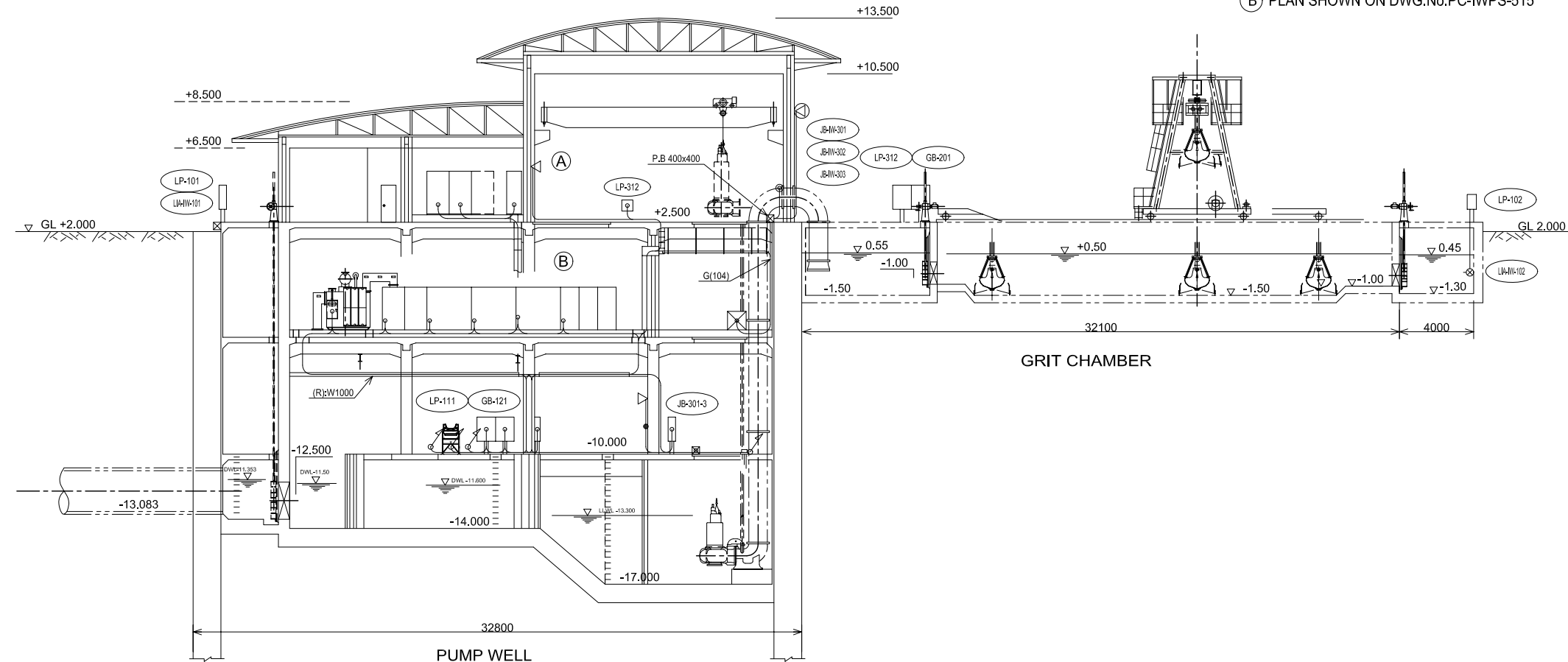


BASEMENT 2ND FLOOR

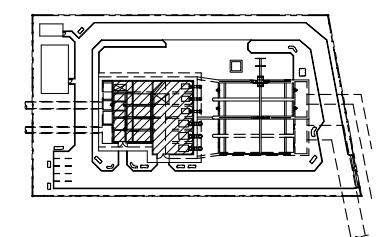
SYMBOL	DESCRIPTION	SYMBOL	DESCRIPTION
(E)	EQUIPMENT ITEM No.	F ()	FLEXIBLE EMBEDDED PIPE(SIZE)
(M)	MANHOLE	P ()	FLEXIBLE CONDUIT PIPE(SIZE)
(F)	FLOW METER	(R)	CABLE RACK
(L)	LEVEL METER	(P)	CABLE PIT
(S)	LEVEL SWITCH	(L)	OUTDOOR LIGHT(N220)
(PB)	PULL BOX	(V)	AIR INLET VALVE
(AMP)	AMP	(S)	OUTDOOR SPEAKER
(R)	RIZER POINT	(I)	INDOOR SPEAKER
(D)	DOWN POINT	(T)	TELEPHONE SET
(LP)	LIGHTING PANEL		
(LP)	LOCAL PANEL		
G ()	CONDUIT PIPE(SIZE)		

ITEM No.	DESCRIPTION	ITEM No.	DESCRIPTION
LP-101	No.1 EMERGENCY GATE PANEL	LP-311	No.1 DRAIN PUMP SWITCH BOX
LP-101	LEVEL METER FOR EMERGENCY	LP-301	No.1 SEWAGE PUMP LOCAL PANEL
JB-W-301	No.1 AIR INLET VALVE	LP-302	No.2 SEWAGE PUMP LOCAL PANEL
JB-W-302	No.2 AIR INLET VALVE	LP-303	No.3 SEWAGE PUMP LOCAL PANEL
JB-W-303	No.3 AIR INLET VALVE	JB-301	No.1 SEWAGE PUMP TERMINAL BOX
LP-312	No.2 DRAIN PUMP SWITCH BOX	JB-302	No.2 SEWAGE PUMP TERMINAL BOX
GB-201	GRAB BUCKET CRANE SWITCH BOX	JB-303	No.3 SEWAGE PUMP TERMINAL BOX
103	No.1 FINE SCREEN	LC-W-101	LEVEL SWITCH
107	HORIZONTAL CONVEYOR		
108	INCLINED CONVEYOR		
LP-111	No.1 FINE SCREEN PANEL		
LP-121	HORIZONTAL & INCLINE CONVEYOR PANEL		

NOTES: (A) PLAN SHOWN ON DWG.No.PC-IWPS-514
 (B) PLAN SHOWN ON DWG.No.PC-IWPS-515



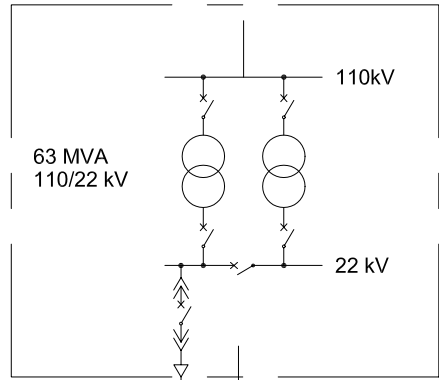
SECTION A-A



KEY PLAN

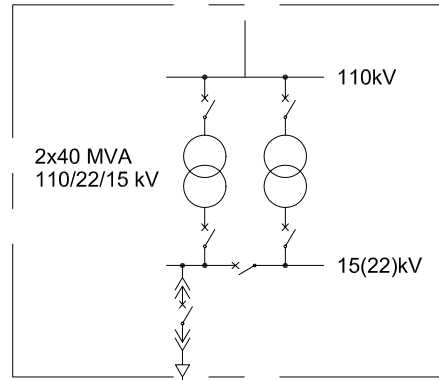
NO.	DATE	DESCRIPTIONS	BY	APRO.
REVISIONS				
PROJECT MANAGEMENT UNIT FOR HO CHI MINH CITY WATER ENVIRONMENT IMPROVEMENT				
THE DETAILED DESIGN ON HO CHI MINH CITY WATER ENVIRONMENT IMPROVEMENT PROJECT IN THE SOCIALIST REPUBLIC OF VIET NAM				
PACKAGE C INTERMEDIATE WASTE WATER PUMPING STATION				
WIRING AND PIPING PLAN AND SECTION BASEMENT 2ND FLOOR				
SCALE : 1/150				
JAPAN INTERNATIONAL COOPERATION AGENCY (JICA)				
PACIFIC CONSULTANTS INTERNATIONAL				
DESIGNED KOMIYA NOBUO		CHECKED KONDO MASAMI		
DATE : JUNE 2001		DWG. No. PC -IWPS - 516		

SAIGON SOUTH 4 SUBSTATION



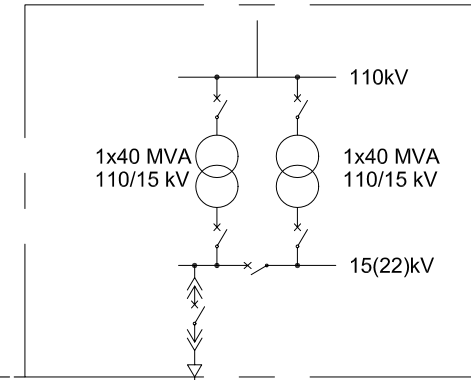
THIS SUBSTATION WILL OPERATE IN 2004

PHU DINH SUBSTATION



BY POWER COMPANY

CHANH HUNG SUBSTATION



BY POWER COMPANY

24kV UNDERGROUND CABLE IN FUTURE
CONSTRUCTED BY POWER COMPANY OF HCMC

TEMPORARY CONNECTION POINT UNTIL 2004

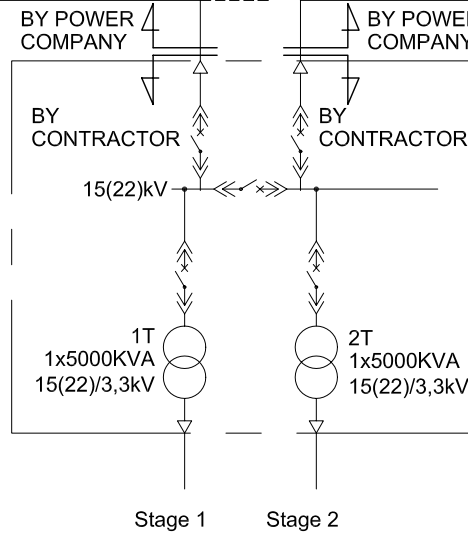
UNDERGROUND CABLE
XLPE 24kV-2(3x240)
4375m

UNDERGROUND CABLE
XLPE 24kV-2(3x240)
3283m

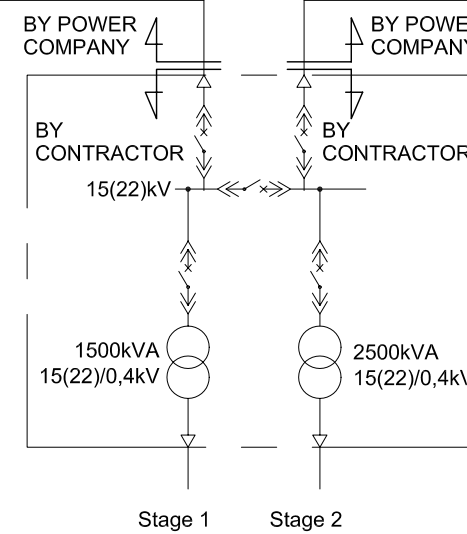
UNDERGROUND CABLE
XLPE 24kV-2(3x240)
1850m

22kV OVERHEAD LINE BINH PHU

POLE No. 42



WASTE-WATER TREATMENT PLANT



INTERMEDIATE WASTE-WATER PUMPING STATION

NO.	DATE	DESCRIPTIONS	BY	APRO.

REVISIONS

PROJECT MANAGEMENT UNIT FOR
HO CHI MINH CITY
WATER ENVIRONMENT IMPROVEMENT

THE DETAILED DESIGN ON HO CHI MINH CITY
WATER ENVIRONMENT IMPROVEMENT PROJECT
IN THE SOCIALIST REPUBLIC OF VIET NAM

PACKAGE C
INTERMEDIATE WASTE WATER PUMPING STATION

SINGLE LINE DIAGRAM FOR
RECEIVING SYSTEM
(REFERENCE DRAWING)

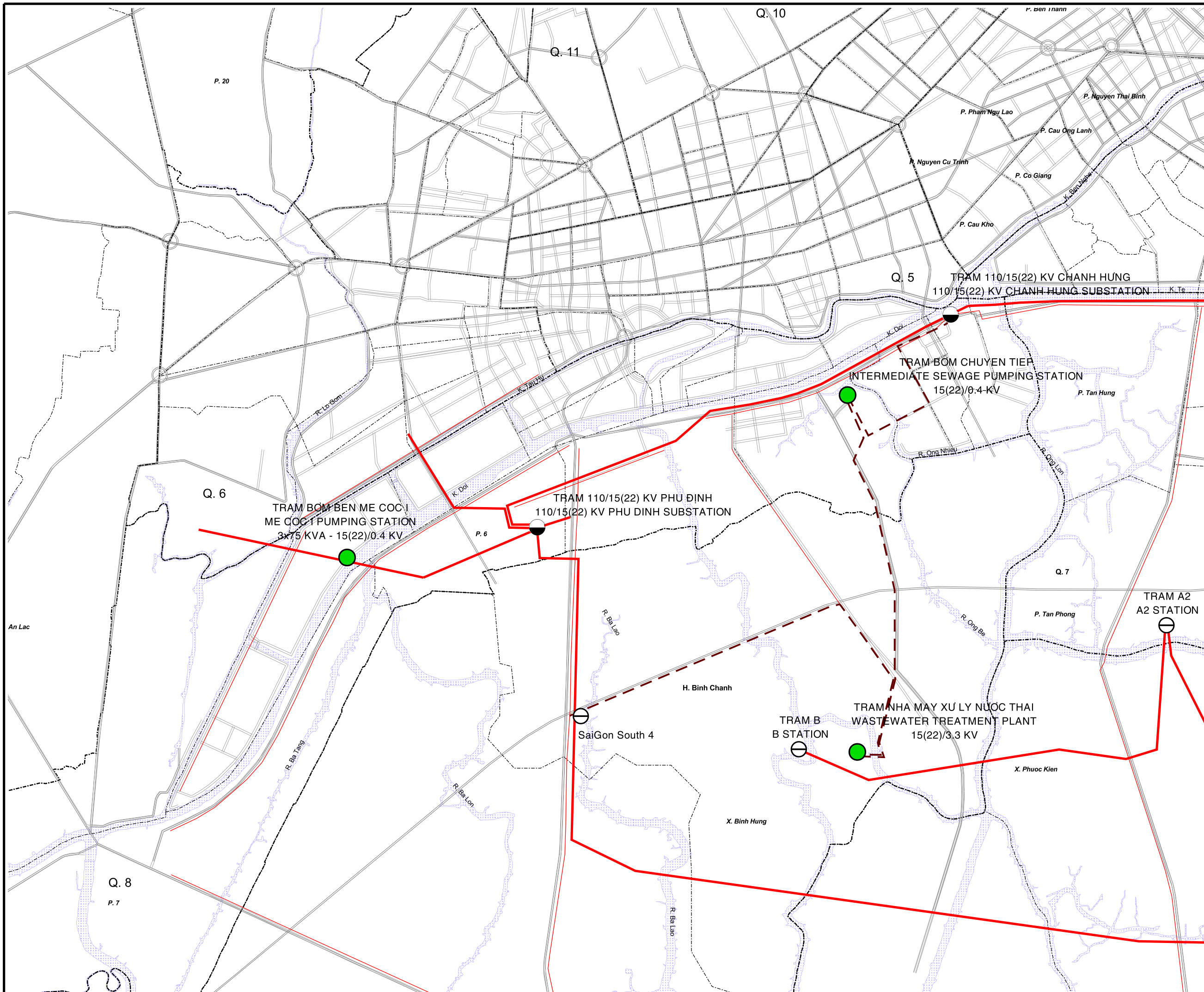
SCALE : N.T.S

JICA JAPAN INTERNATIONAL COOPERATION
AGENCY (JICA)

PC PACIFIC CONSULTANTS INTERNATIONAL

DESIGNED
KOMIYA NOBUO
CHECKED
KONDO MASAMI

DATE : JUNE 2001 DWG. No. PC - IWPS - 517



NO.	DATE	DESCRIPTIONS	BY	APRO.
REVISIONS				

PROJECT MANAGEMENT UNIT FOR
HO CHI MINH CITY
WATER ENVIRONMENT IMPROVEMENT

THE DETAILED DESIGN ON HO CHI MINH CITY
WATER ENVIRONMENT IMPROVEMENT PROJECT
IN THE SOCIALIST REPUBLIC OF VIET NAM

PACKAGE C
INTERMEDIATE WASTEWATER PUMPING STATION
ROUTE OF TRANSMISSION LINE
(REFERENCE DRAWING)

SCALE : 1 / 15.000

JAPAN INTERNATIONAL COOPERATION AGENCY (JICA)

PACIFIC CONSULTANTS INTERNATIONAL

DESIGNED KOMIYA NOBUO	CHECKED KONDO MASAMI
--------------------------	-------------------------

DATE : JUNE 2001 DWG. No. PC - IWPS - 518