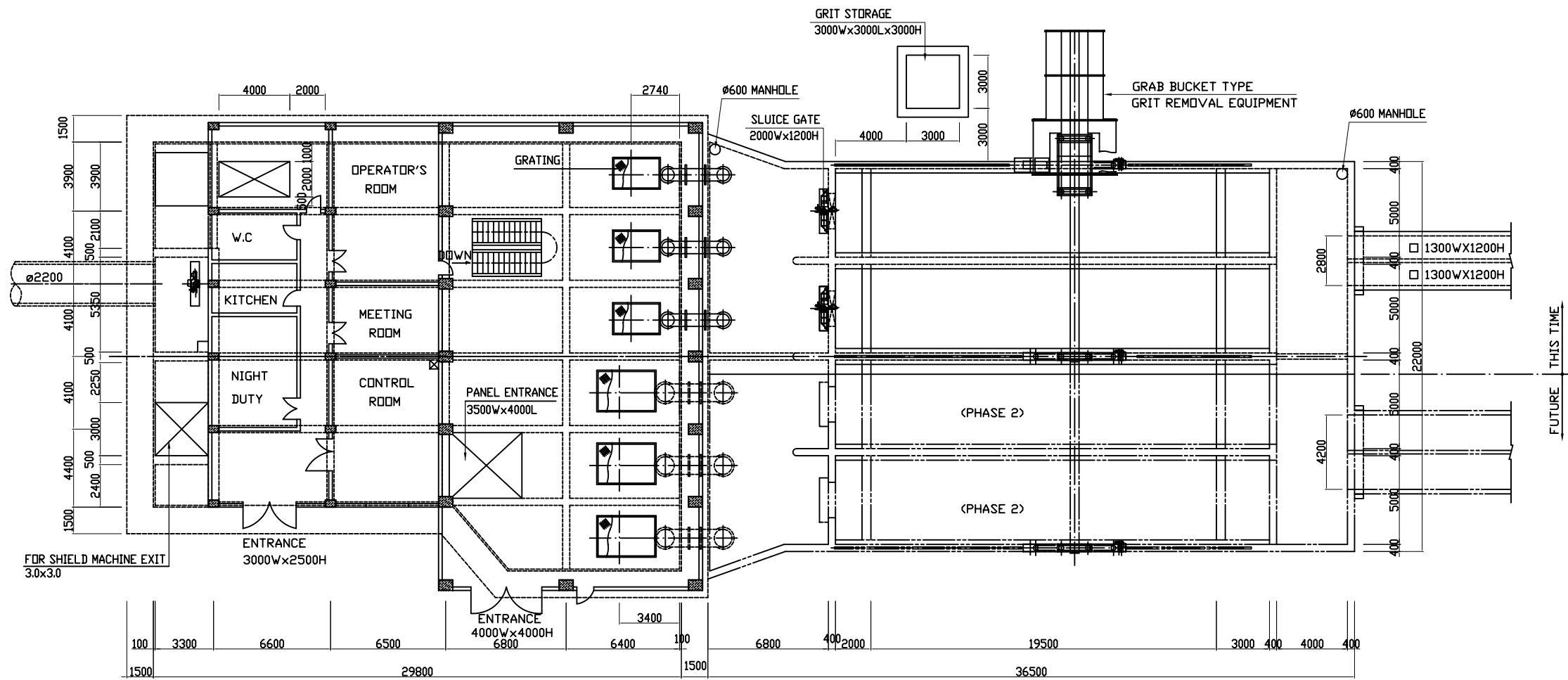
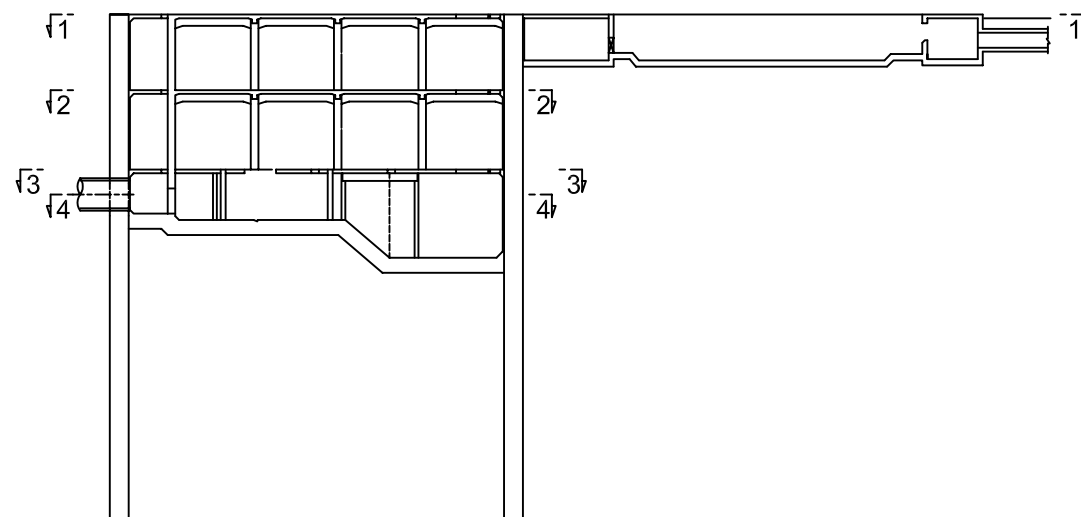




MECHANICAL WORK

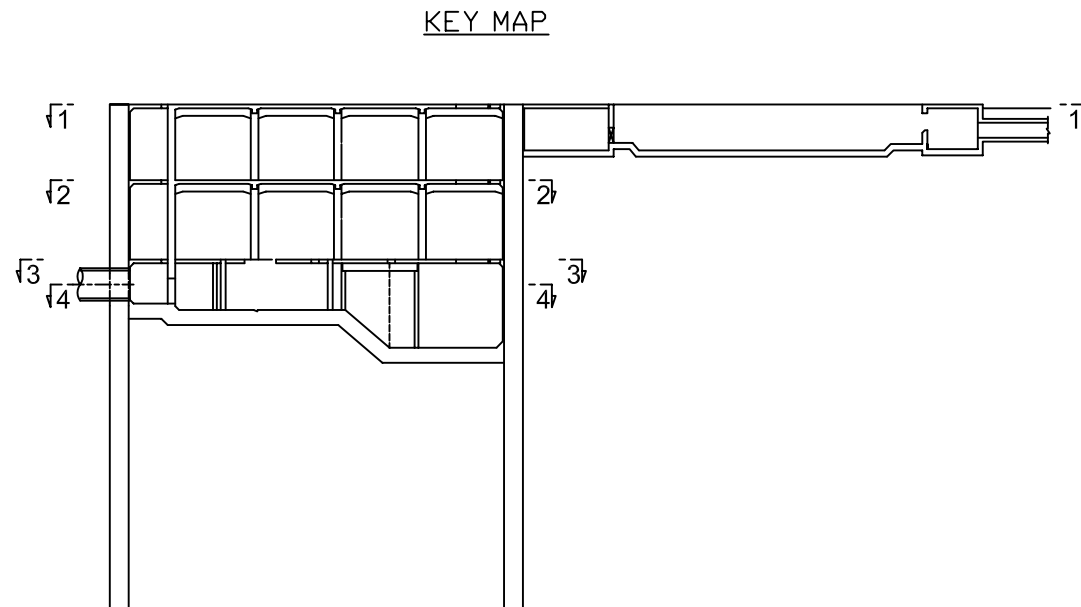
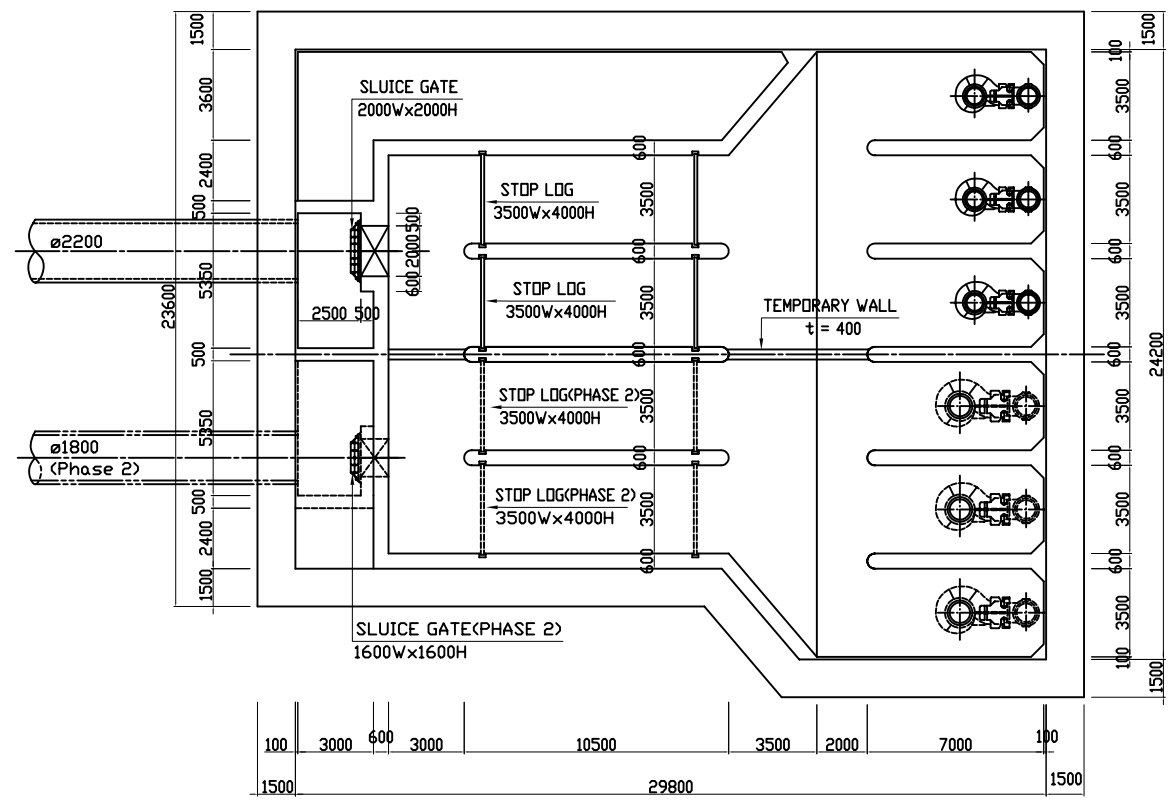
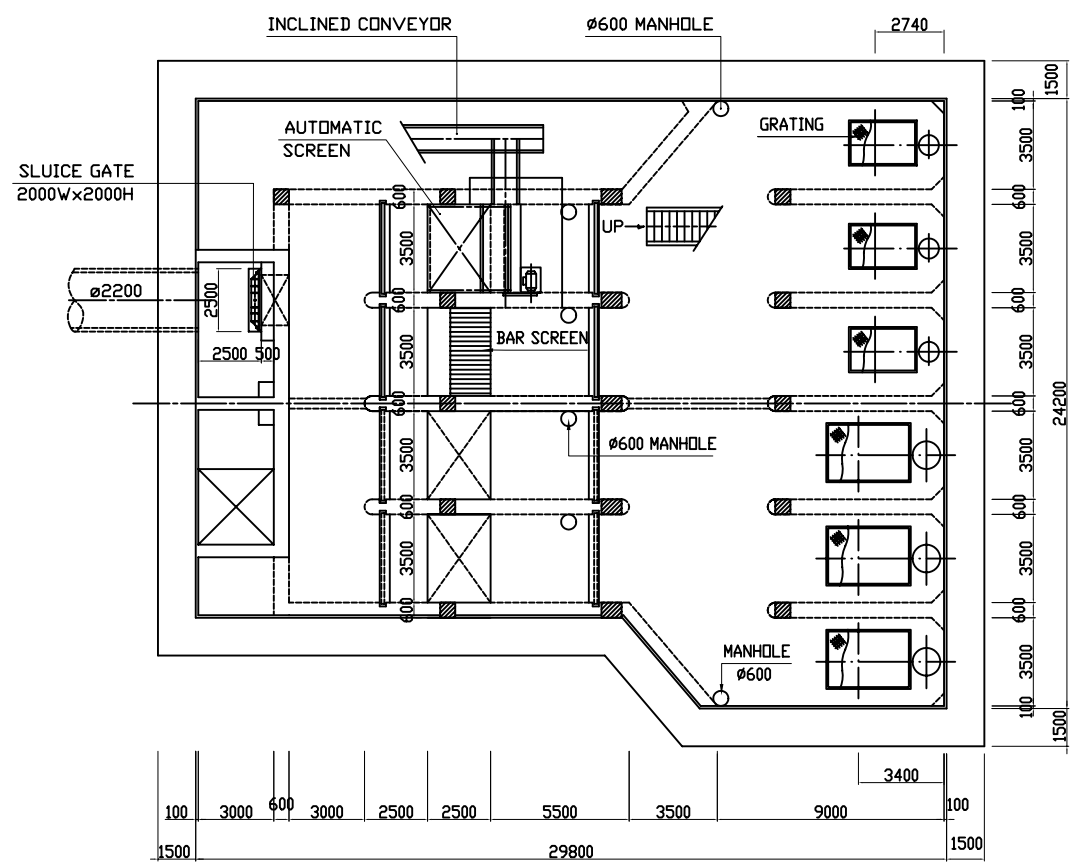
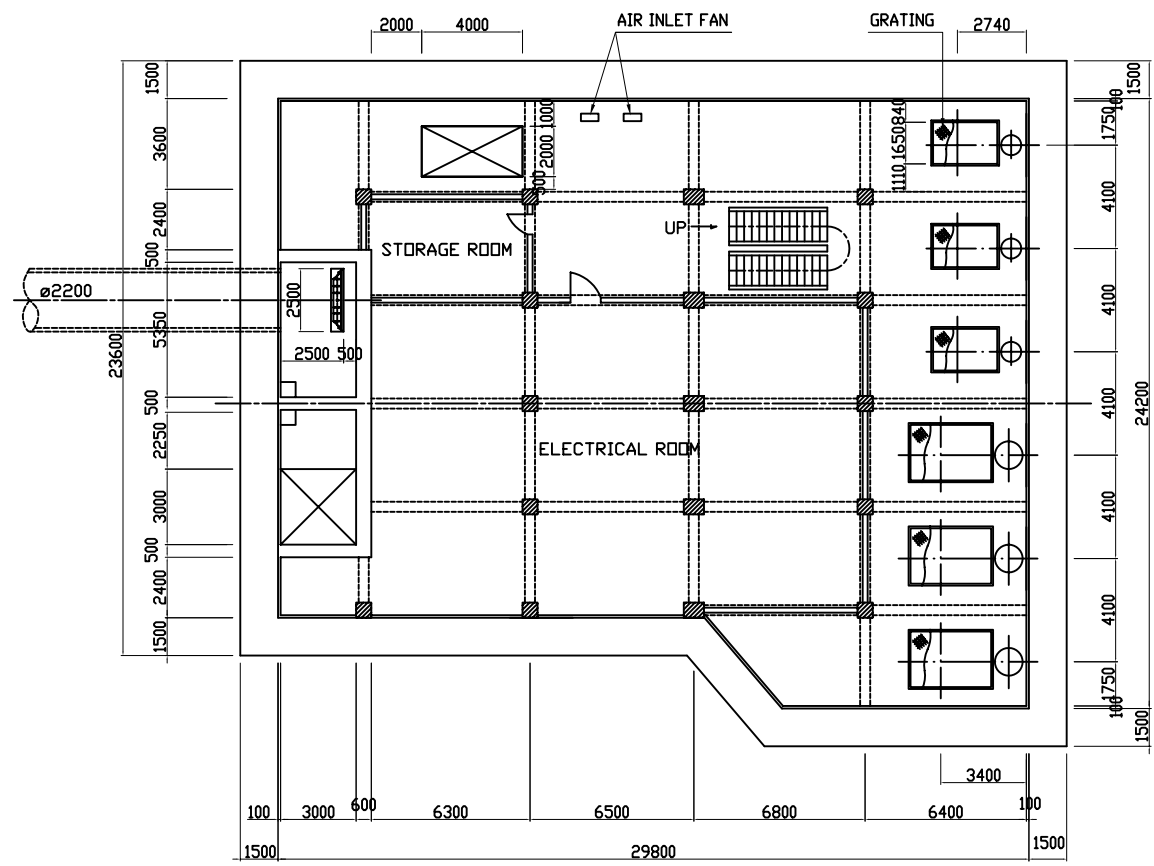


1 - 1

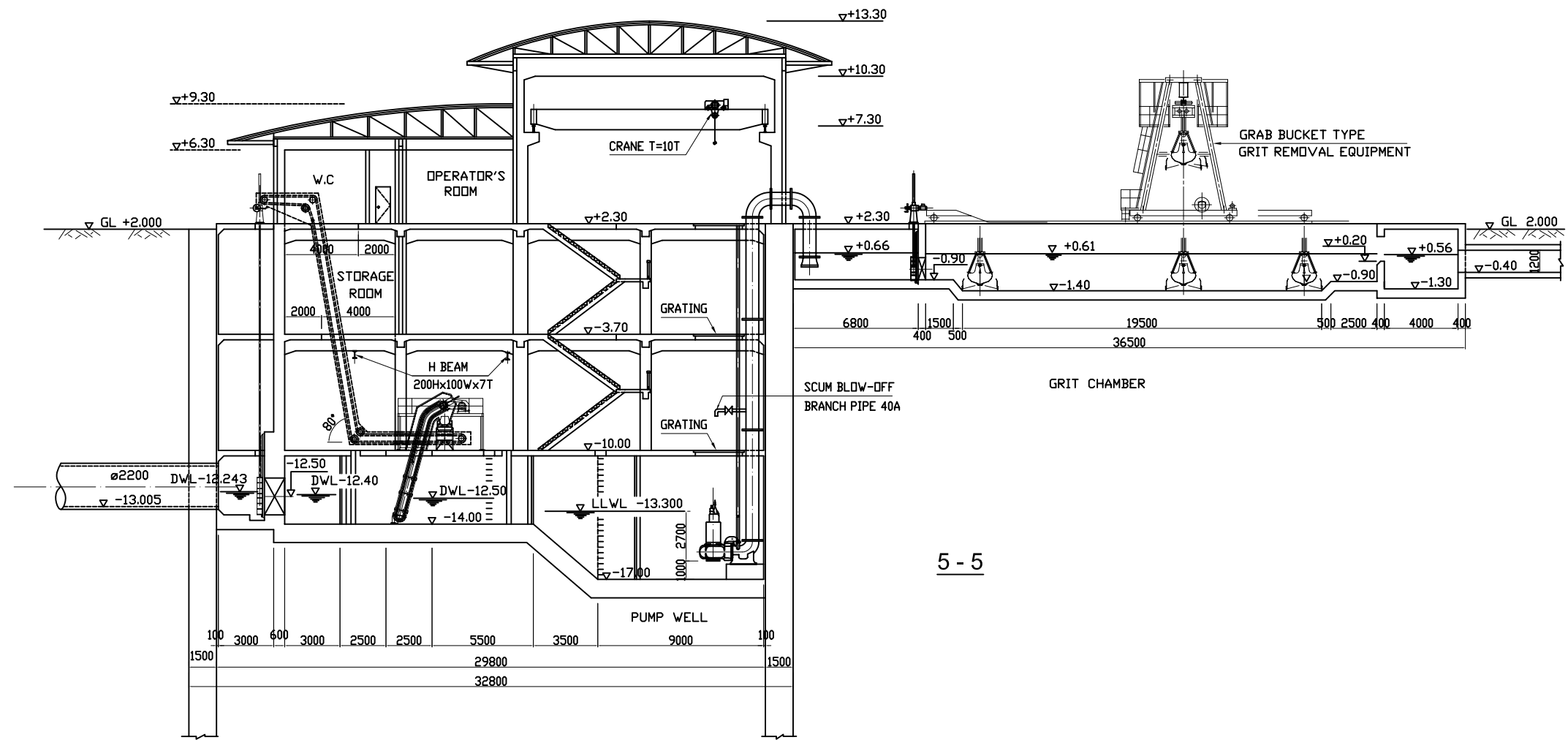
KEY MAP



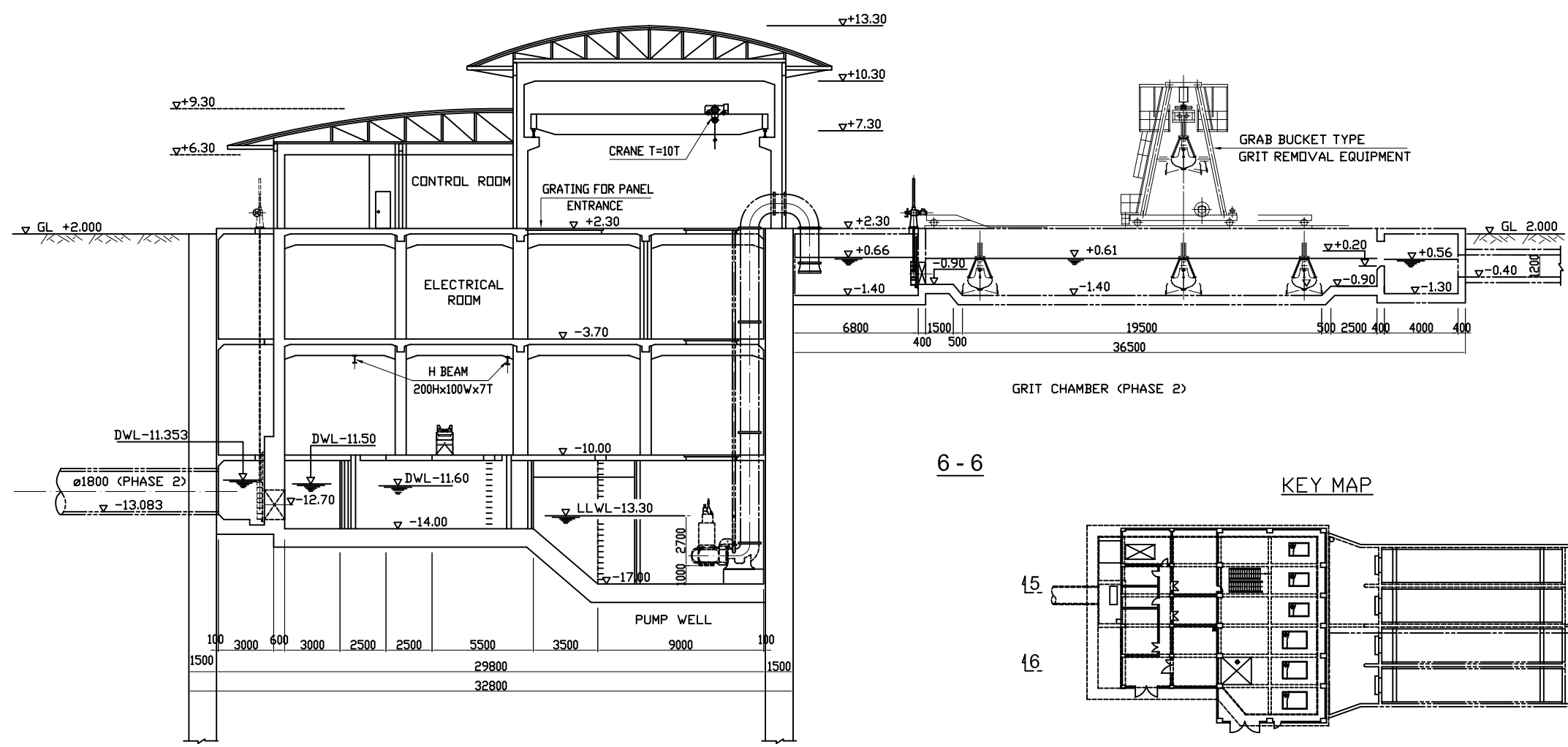
NO.	DATE	DESCRIPTIONS	BY	APRO.
REVISIONS				
PROJECT MANAGEMENT UNIT FOR HO CHI MINH CITY WATER ENVIRONMENT IMPROVEMENT				
THE DETAILED DESIGN STUDY ON HO CHI MINH CITY WATER ENVIRONMENT IMPROVEMENT PROJECT IN THE SOCIALIST REPUBLIC OF VIET NAM				
PACKAGE C INTERMEDIATE WASTEWATER PUMPING STATION GENERAL LAYOUT FOR MECHANICAL EQUIPMENT OF IWPS (1/3)				
SCALE : 1 / 150				
 JAPAN INTERNATIONAL COOPERATION AGENCY (JICA)				
 PACIFIC CONSULTANTS INTERNATIONAL				
DESIGNED SUGIURA KENICHIRO		CHECKED KONDO MASAMI		
DATE : JUNE 2001		DWG. No. PC - IWPS - 401		



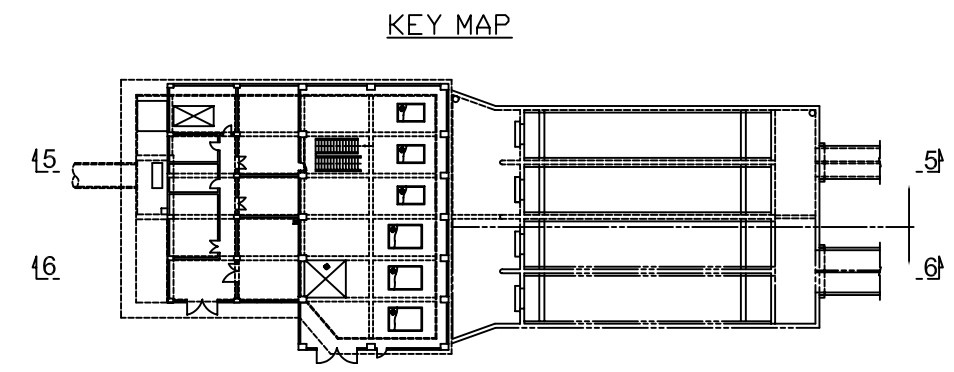
NO.	DATE	DESCRIPTIONS	BY	APRO.
REVISIONS				
PROJECT MANAGEMENT UNIT FOR HO CHI MINH CITY WATER ENVIRONMENT IMPROVEMENT				
THE DETAILED DESIGN STUDY ON HO CHI MINH CITY WATER ENVIRONMENT IMPROVEMENT PROJECT IN THE SOCIALIST REPUBLIC OF VIET NAM				
PACKAGE C INTERMEDIATE WASTEWATER PUMPING STATION GENERAL LAYOUT FOR MECHANICAL EQUIPMENT OF IWPS (2/3)				
SCALE : 1 / 150				
JAPAN INTERNATIONAL COOPERATION AGENCY (JICA)		PACIFIC CONSULTANTS INTERNATIONAL		
DESIGNED SUGIURA KENICHIRO		CHECKED KONDO MASAMI		
DATE : JUNE 2001		DWG. No. PC - IWPS - 402		





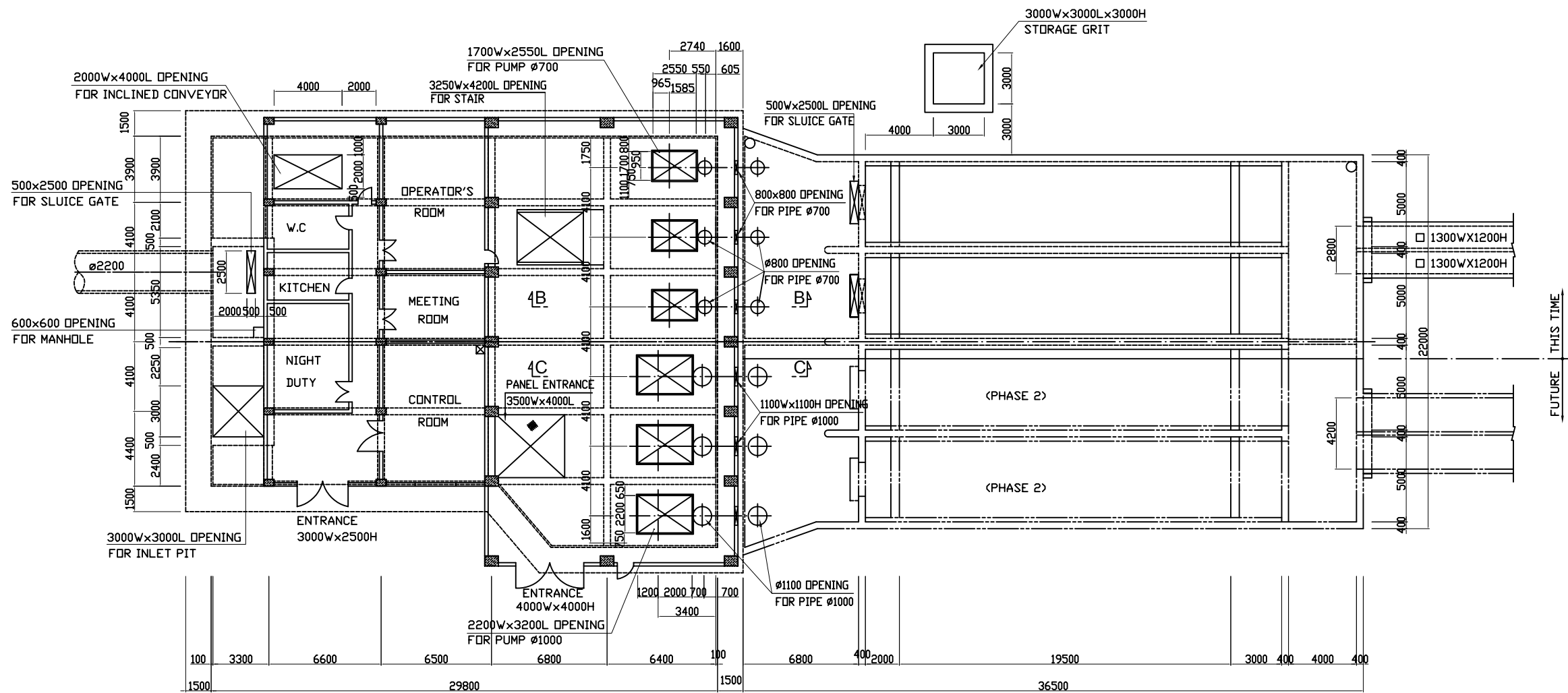
5 - 5



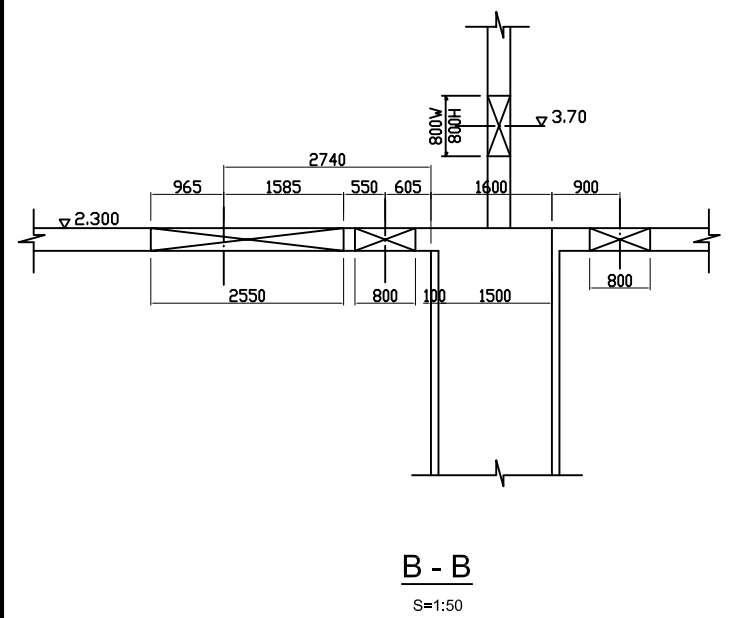
6 - 6



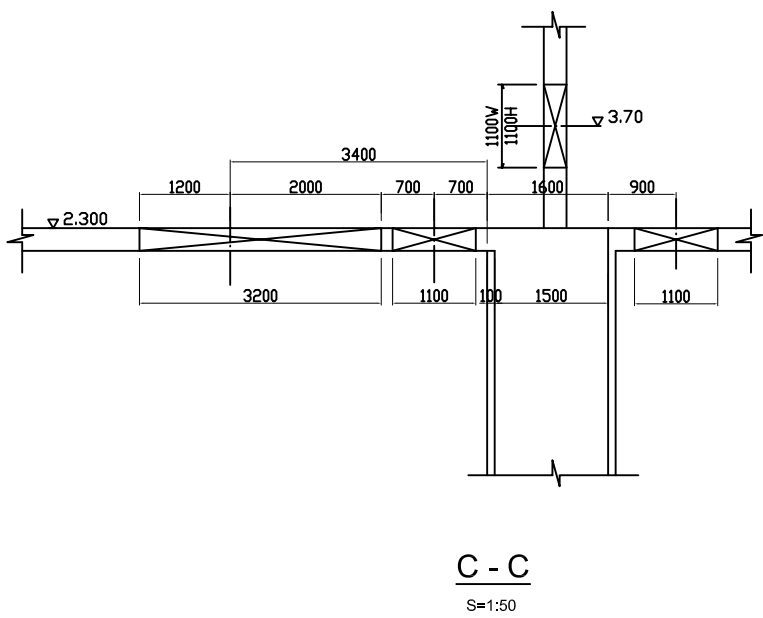
NO.	DATE	DESCRIPTIONS	BY	APRO.
REVISIONS				
PROJECT MANAGEMENT UNIT FOR HO CHI MINH CITY WATER ENVIRONMENT IMPROVEMENT				
THE DETAILED DESIGN STUDY ON HO CHI MINH CITY WATER ENVIRONMENT IMPROVEMENT PROJECT IN THE SOCIALIST REPUBLIC OF VIET NAM				
PACKAGE C INTERMEDIATE WASTEWATER PUMPING STATION GENERAL LAYOUT FOR MECHANICAL EQUIPMENT OF IWPS (3/3)				
SCALE : 1/150				
 JAPAN INTERNATIONAL COOPERATION AGENCY (JICA)				
 PACIFIC CONSULTANTS INTERNATIONAL				
DESIGNED SUGIURA KENICHIRO		CHECKED KONDO MASAMI		
DATE : JUNE 2001		DWG. No. PC - IWPS - 403		



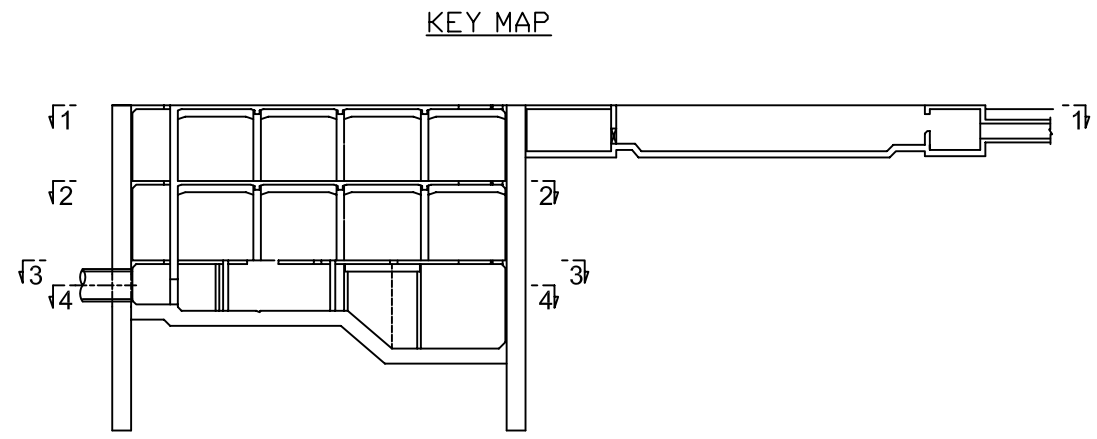
1 - 1
S=1:150



B - B
S=1:50

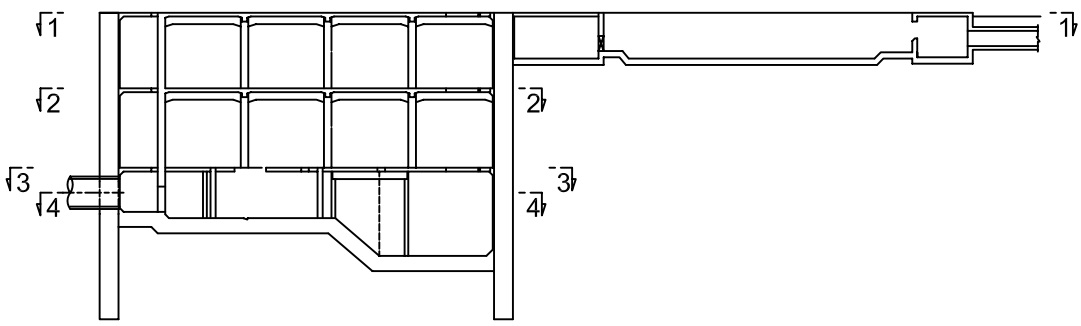
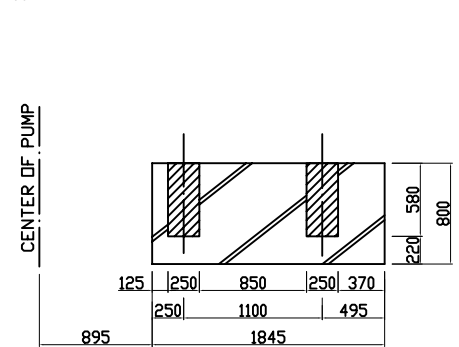
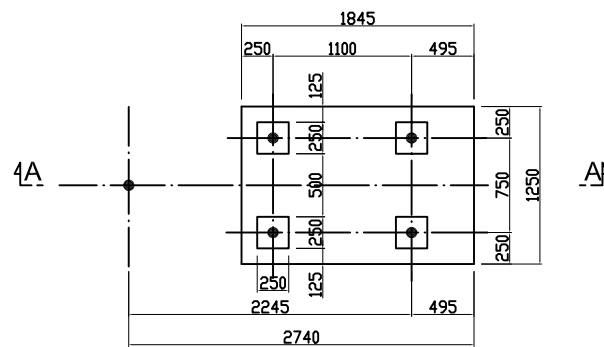
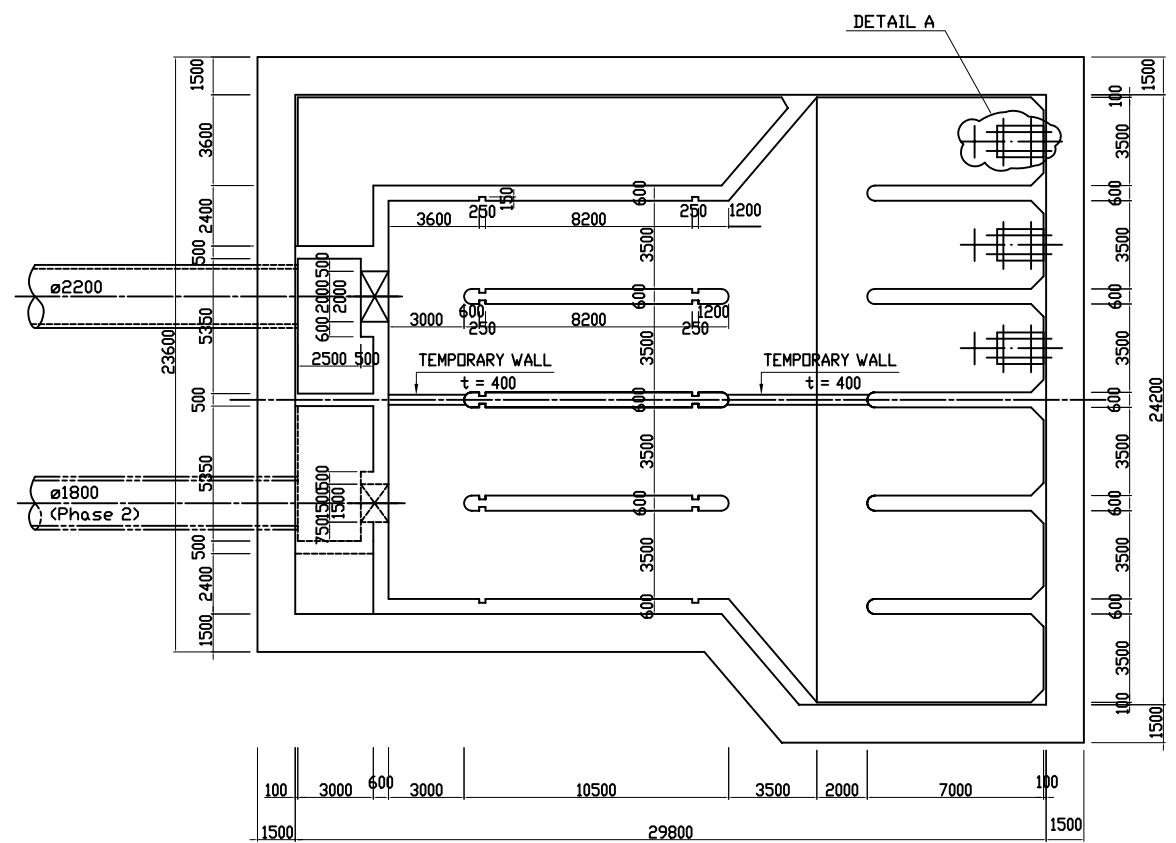
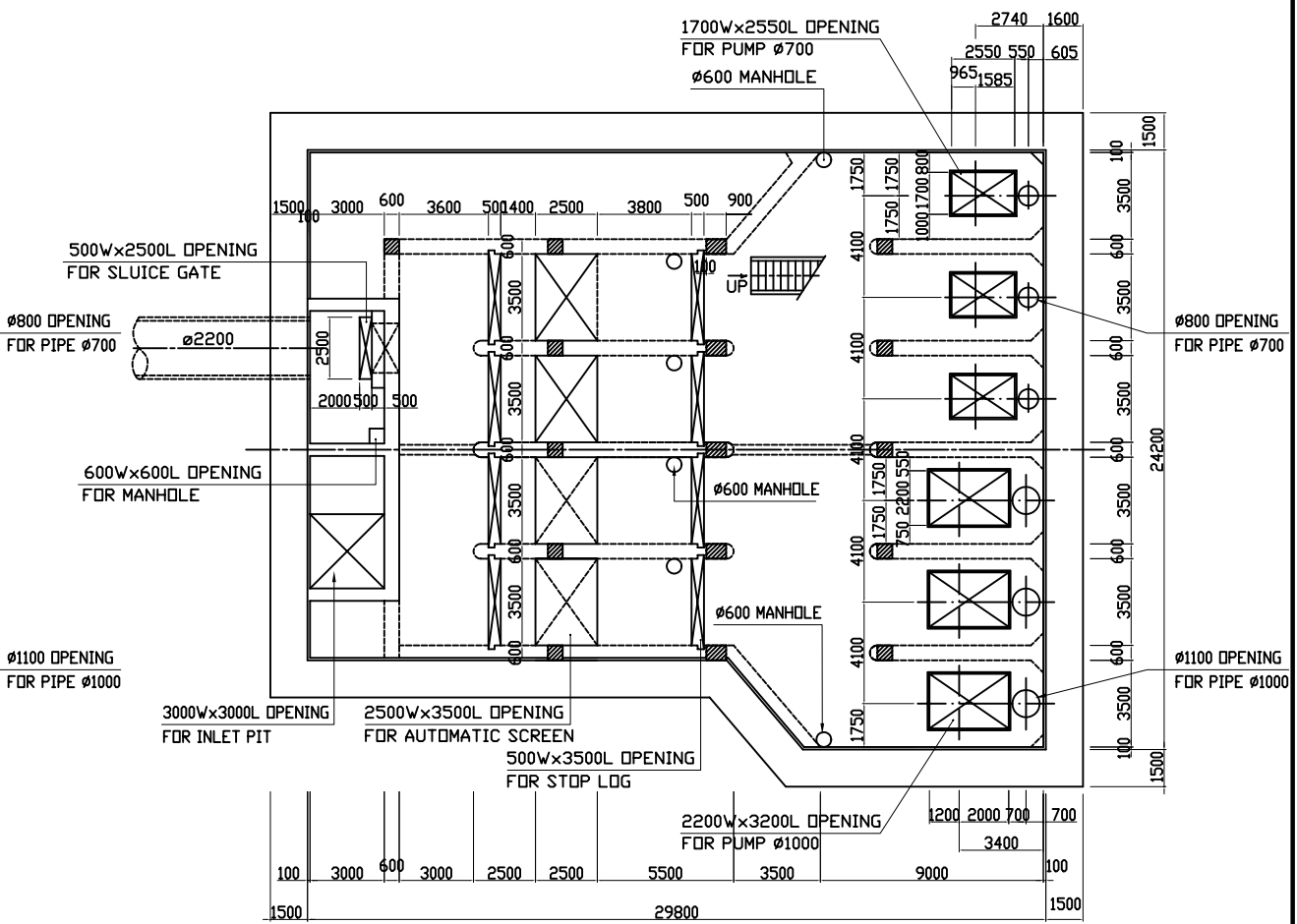
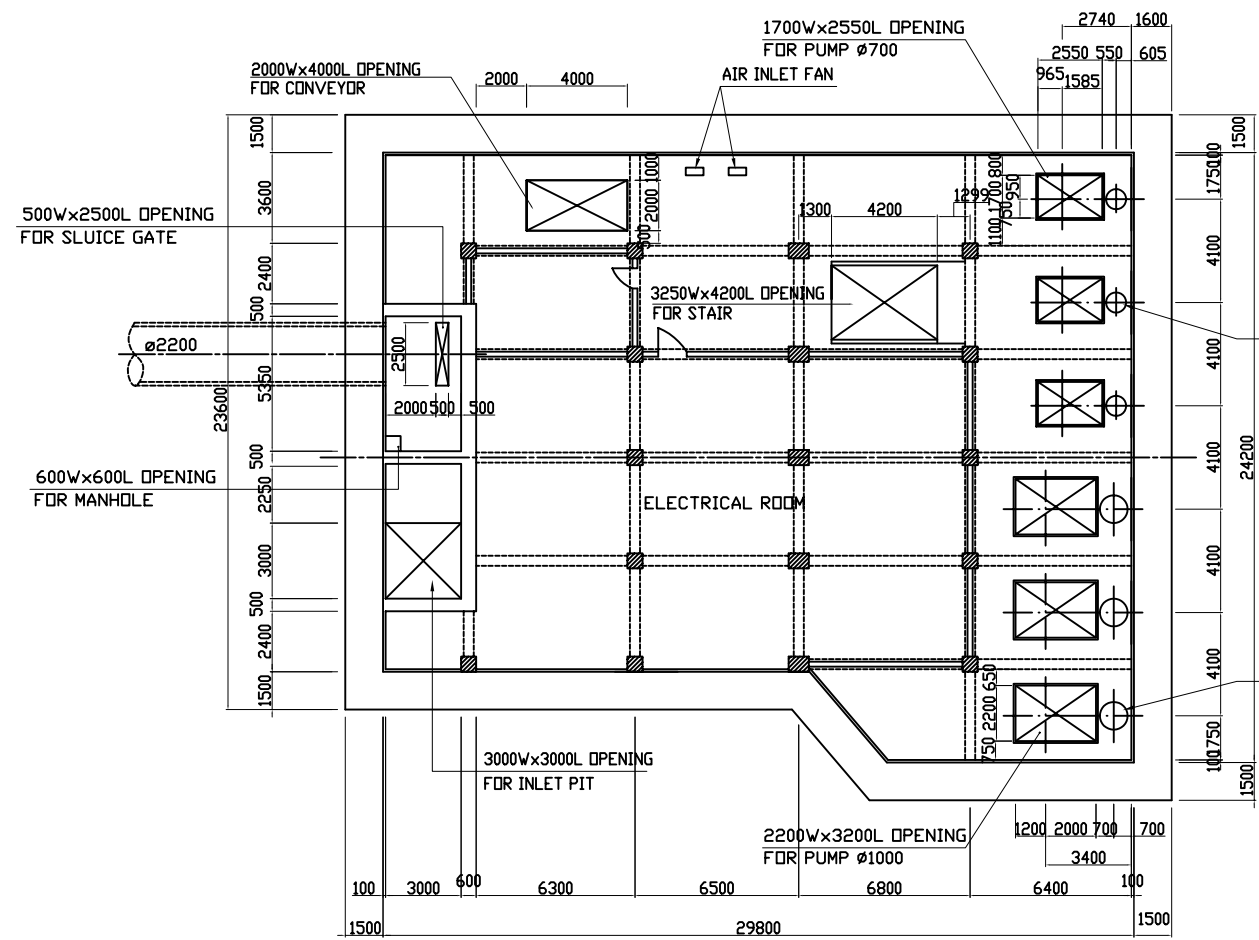


C - C
S=1:50



KEY MAP

NO.	DATE	DESCRIPTIONS	BY	APRO.
REVISIONS				
PROJECT MANAGEMENT UNIT FOR HO CHI MINH CITY WATER ENVIRONMENT IMPROVEMENT				
THE DETAILED DESIGN STUDY ON HO CHI MINH CITY WATER ENVIRONMENT IMPROVEMENT PROJECT IN THE SOCIALIST REPUBLIC OF VIET NAM				
PACKAGE C INTERMEDIATE WASTEWATER PUMPING STATION FOUNDATION, BROCKOUT AND OPENINGS FOR MECHANICAL EQUIPMENT (1/3)				
SCALE : AS SHOW				
JAPAN INTERNATIONAL COOPERATION AGENCY (JICA)				
PACIFIC CONSULTANTS INTERNATIONAL				
DESIGNED SUGIURA KENICHIRO		CHECKED KONDO MASAMI		
DATE : JUNE 2001		DWG. No. PC - IWPS - 404		



NO.	DATE	DESCRIPTIONS	BY	APRO.

REVISIONS

PROJECT MANAGEMENT UNIT FOR
HO CHI MINH CITY
WATER ENVIRONMENT IMPROVEMENT

THE DETAILED DESIGN STUDY ON HO CHI MINH CITY
WATER ENVIRONMENT IMPROVEMENT PROJECT
IN THE SOCIALIST REPUBLIC OF VIET NAM

PACKAGE C
INTERMEDIATE WASTEWATER PUMPING STATION
FOUNDATION, BROCKOUT AND OPENINGS
FOR MECHANICAL OF IWPS (2/3)

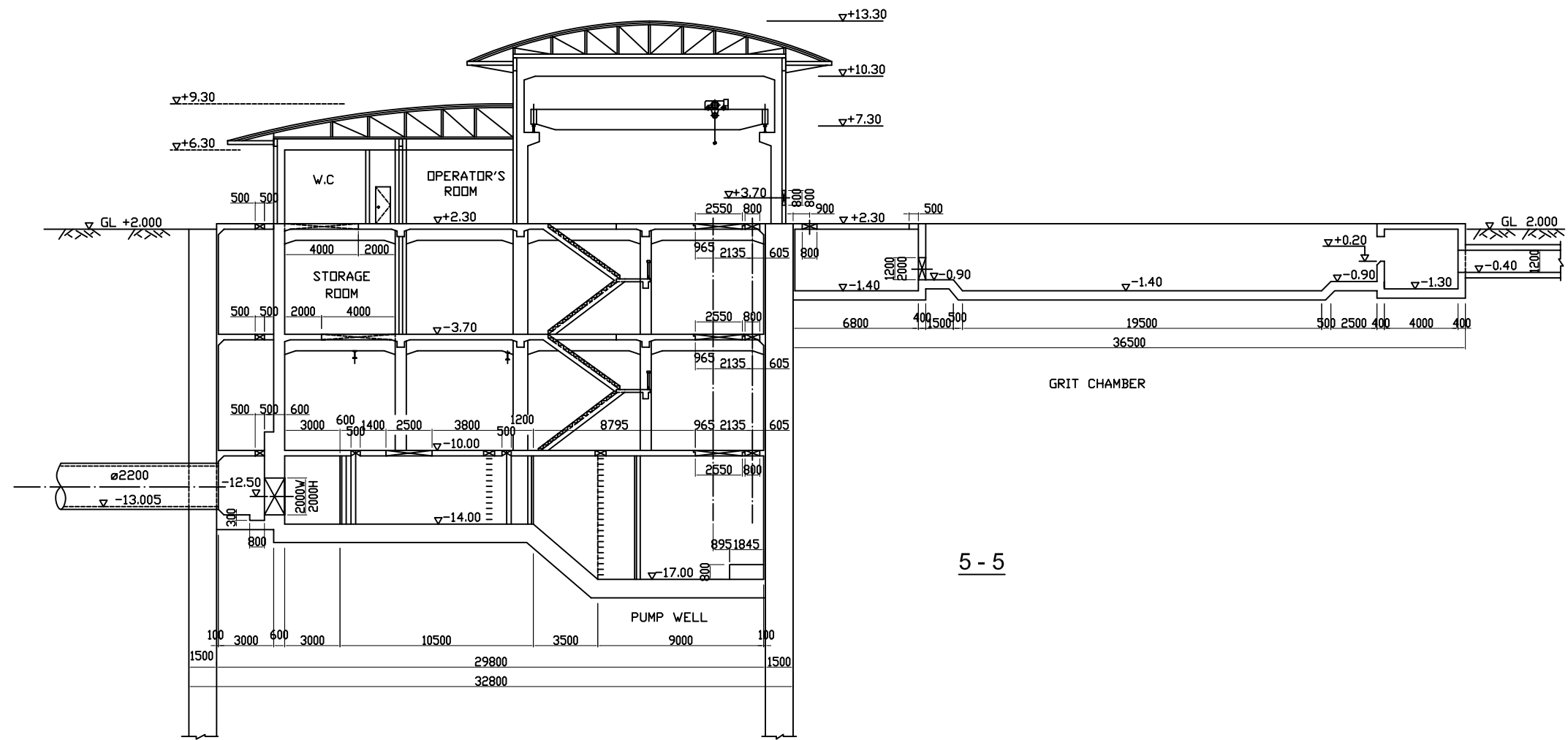
SCALE : AS SHOW

JICA JAPAN INTERNATIONAL COOPERATION
AGENCY (JICA)

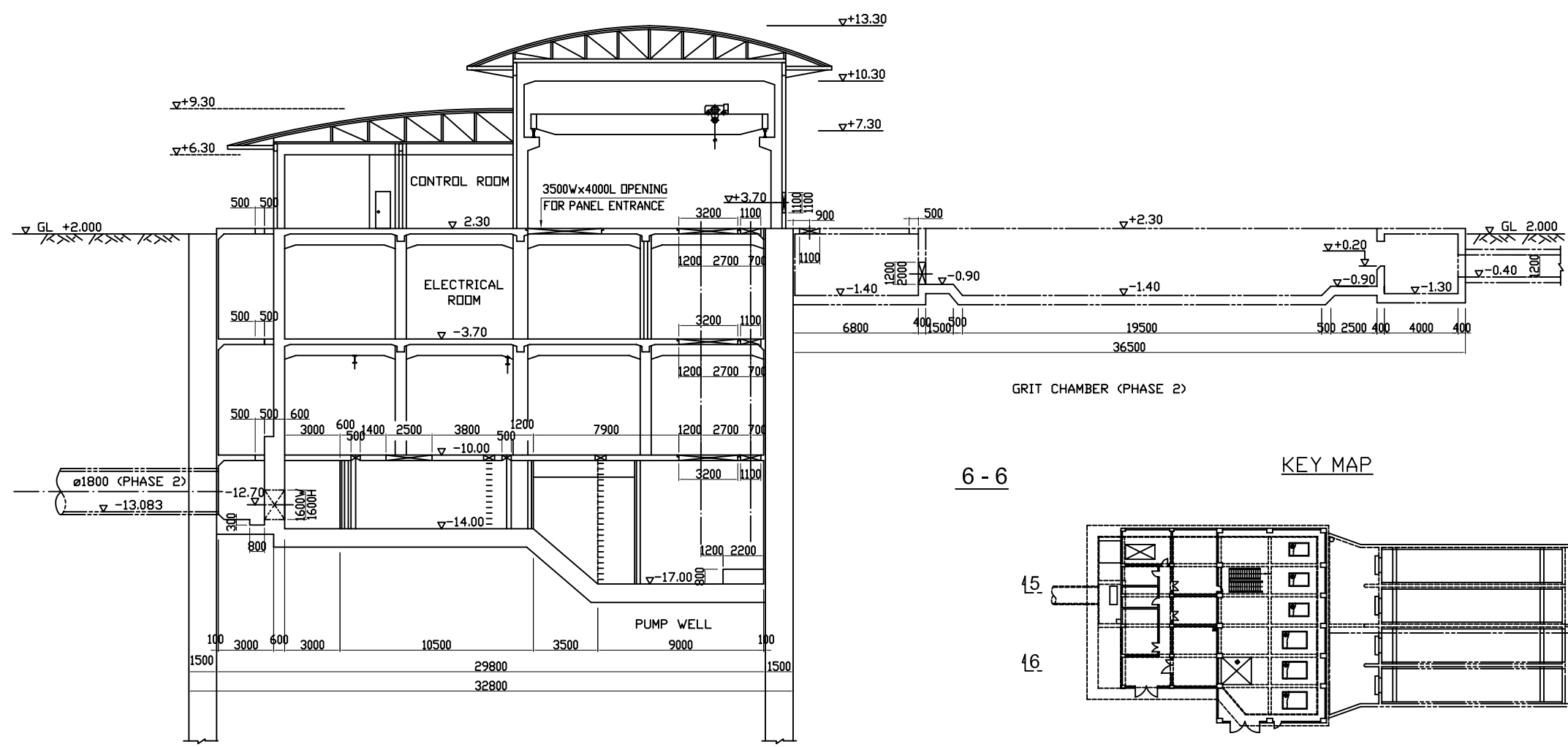
PACIFIC CONSULTANTS INTERNATIONAL

DESIGNED SUGIURA KENICHIRO
CHECKED KONDO MASAMI

DATE : JUNE 2001 DWG. No. PC - IWPS - 405

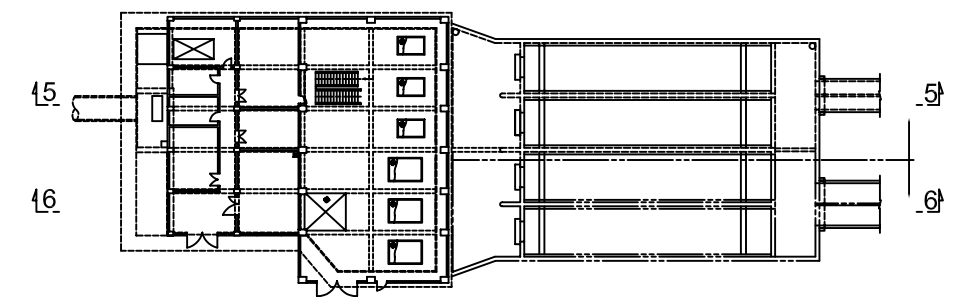




5 - 5

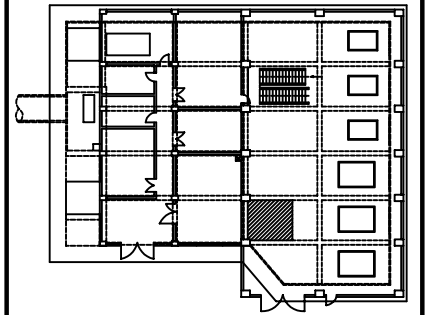
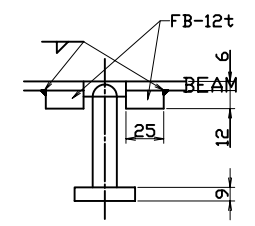
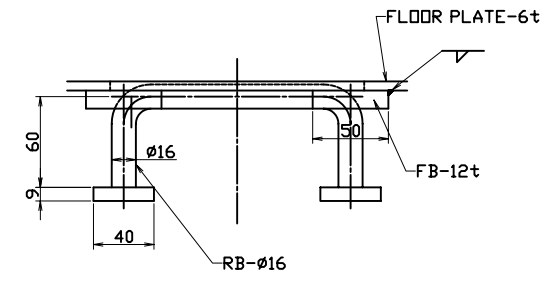
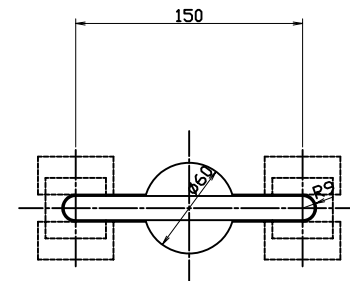
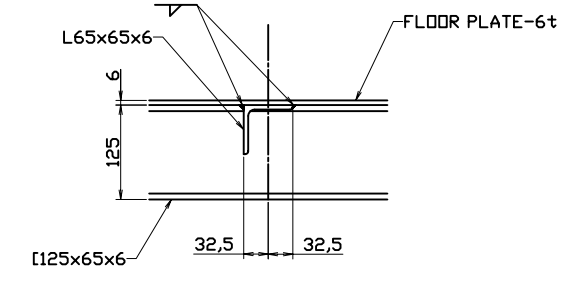
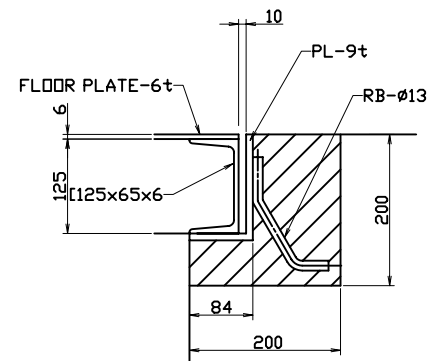
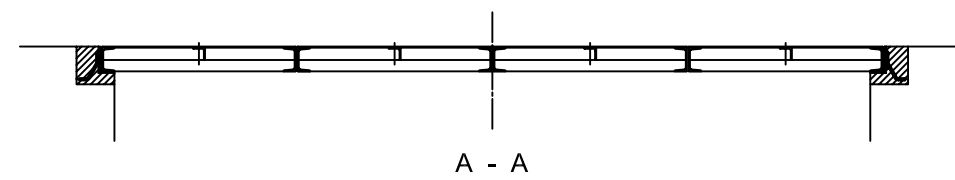
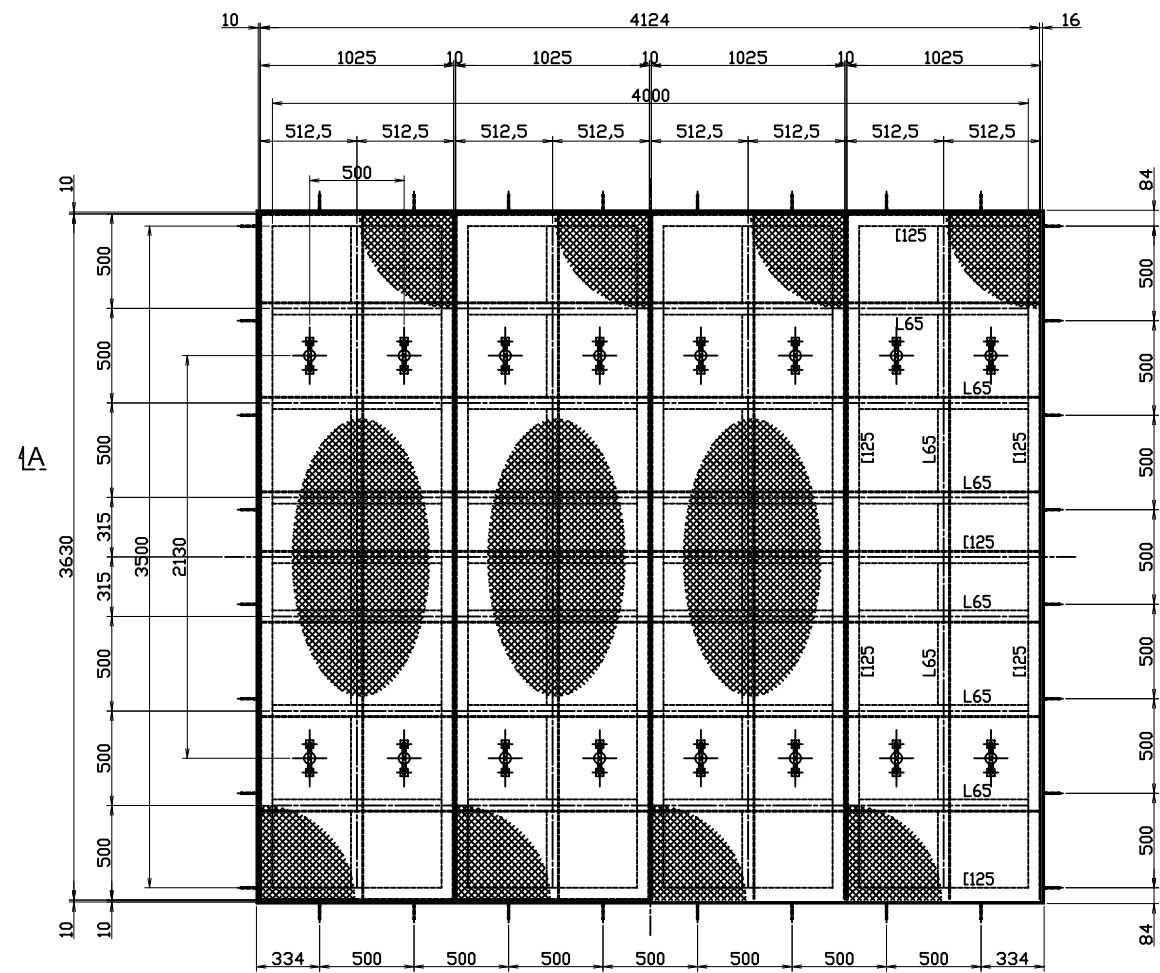


6 - 6

KEY MAP



NO.	DATE	DESCRIPTIONS	BY	APRO.
REVISIONS				
PROJECT MANAGEMENT UNIT FOR HO CHI MINH CITY WATER ENVIRONMENT IMPROVEMENT				
THE DETAILED DESIGN STUDY ON HO CHI MINH CITY WATER ENVIRONMENT IMPROVEMENT PROJECT IN THE SOCIALIST REPUBLIC OF VIET NAM				
PACKAGE C INTERMEDIATE WASTEWATER PUMPING STATION FOUNDATION, BROCKOUT AND OPENINGS FOR MECHANICAL OF IWPS (3/3)				
SCALE :		1:150		
 JAPAN INTERNATIONAL COOPERATION AGENCY (JICA)				
 PACIFIC CONSULTANTS INTERNATIONAL				
DESIGNED		CHECKED		
SUGIURA KENICHIRO		KONDO MASAMI		
DATE : JUNE 2001		DWG. No. PC - IWPS - 406		

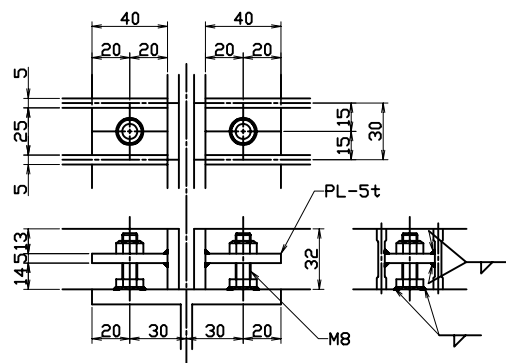
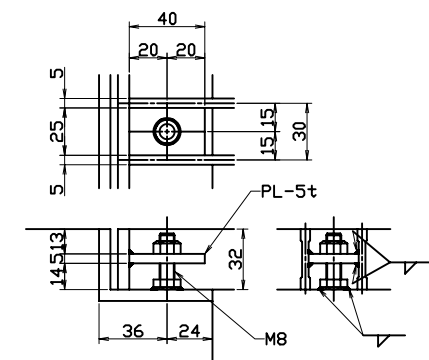
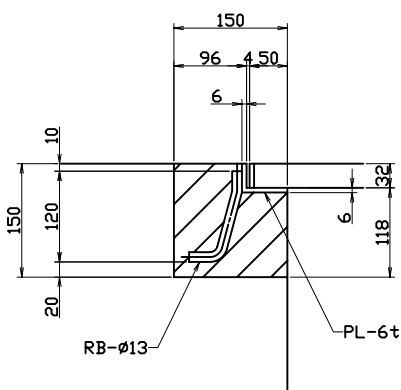
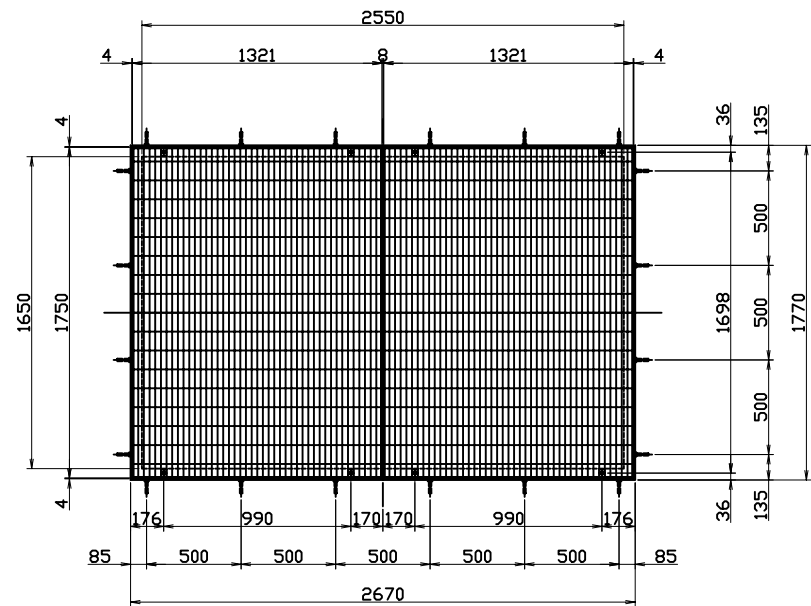


WEIGHT PER PIECE FLOOR PLATE : 218kg
 WEIGHT PER PIECE FRAME : 226kg
 SUB TOTAL : 444
 QUANTITY : 4
 TOTAL WEIGHT : 1776kg

NOTE
 I125 : I125x65x6/8
 L65 : L65x65x6

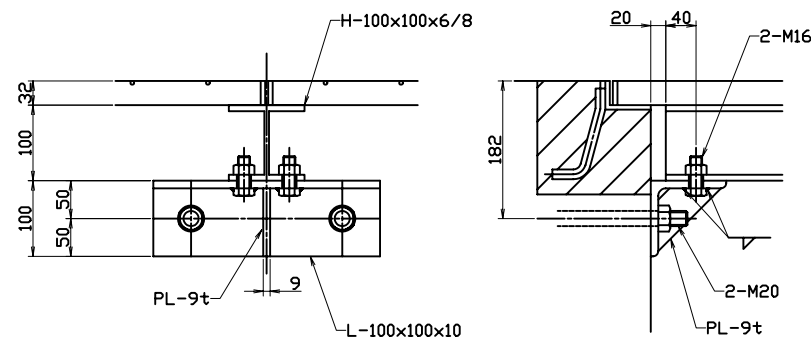
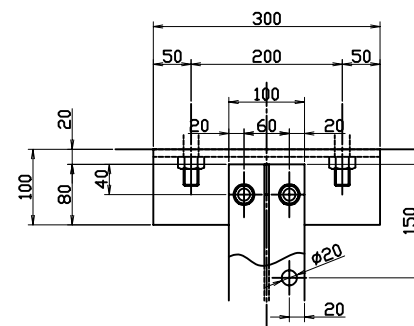
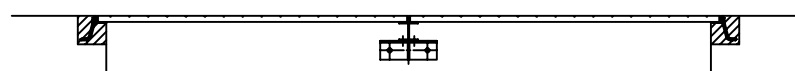
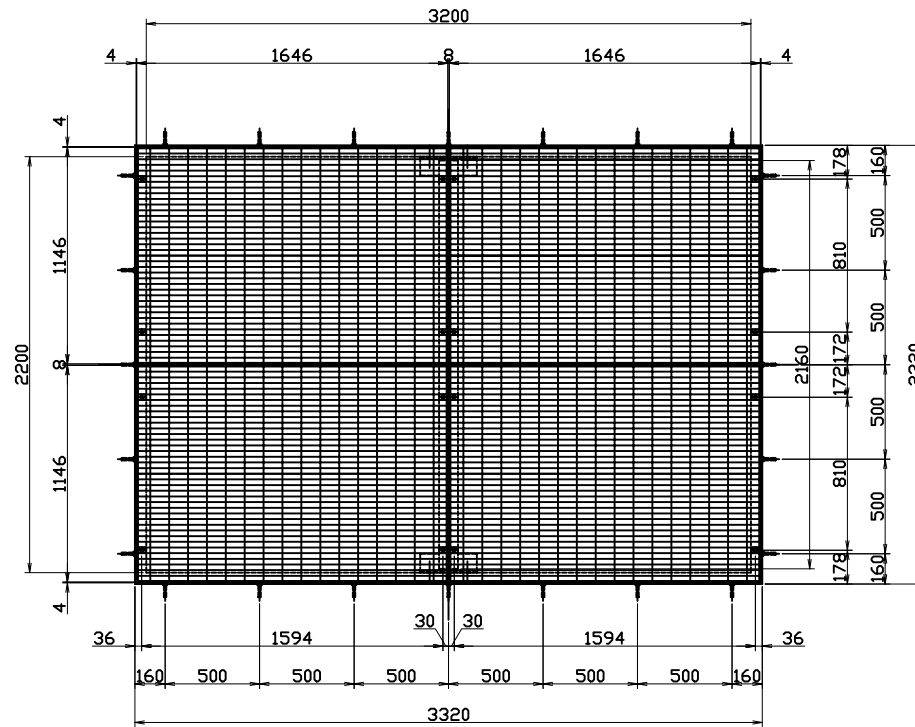
NO.	DATE	DESCRIPTIONS	BY	APRO.
REVISIONS				
PROJECT MANAGEMENT UNIT FOR HO CHI MINH CITY WATER ENVIRONMENT IMPROVEMENT				
THE DETAILED DESIGN STUDY ON HO CHI MINH CITY WATER ENVIRONMENT IMPROVEMENT PROJECT IN THE SOCIALIST REPUBLIC OF VIET NAM				
PACKAGE C INTERMEDIATE WASTEWATER PUMPING STATION				
DETAIL OF OPENING COVERS FOR THE ELECTRICAL EQUIPMENT				
SCALE : 1/20				
JAPAN INTERNATIONAL COOPERATION AGENCY (JICA)				
PACIFIC CONSULTANTS INTERNATIONAL				
DESIGNED SUGIURA KENICHIRO	CHECKED KONDO MASAMI			
DATE : JUNE 2001	DWG. No. PC - IWPS - 407			

OPENING COVERS FOR PUMPS PHASE 1

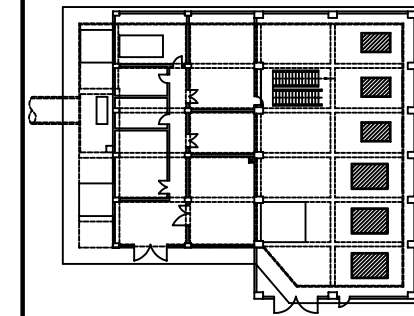


WEIGHT PER PIECE : 103kg
 QUANTITY OF GRATING : 2
 TOTAL WEIGHT : 206kg

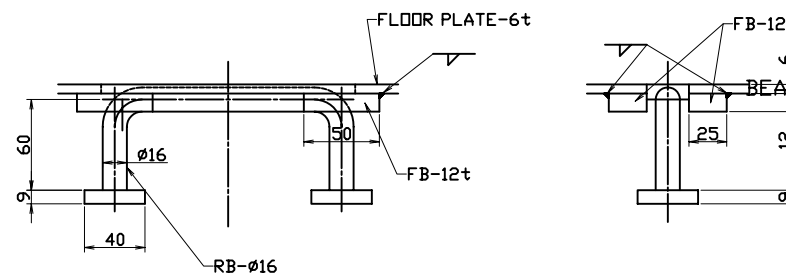
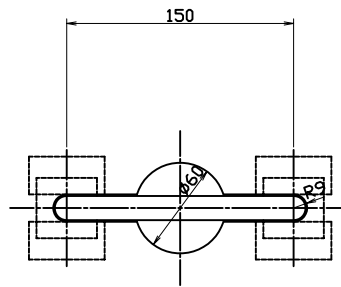
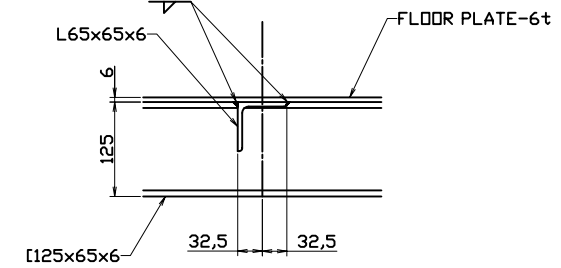
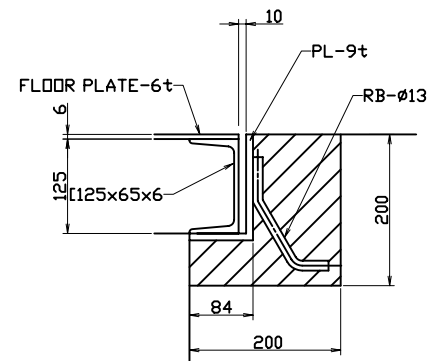
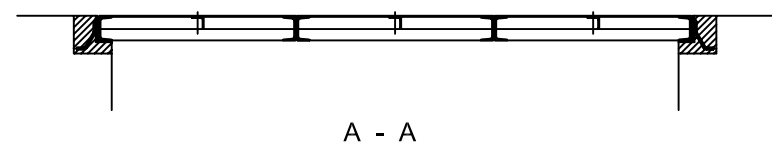
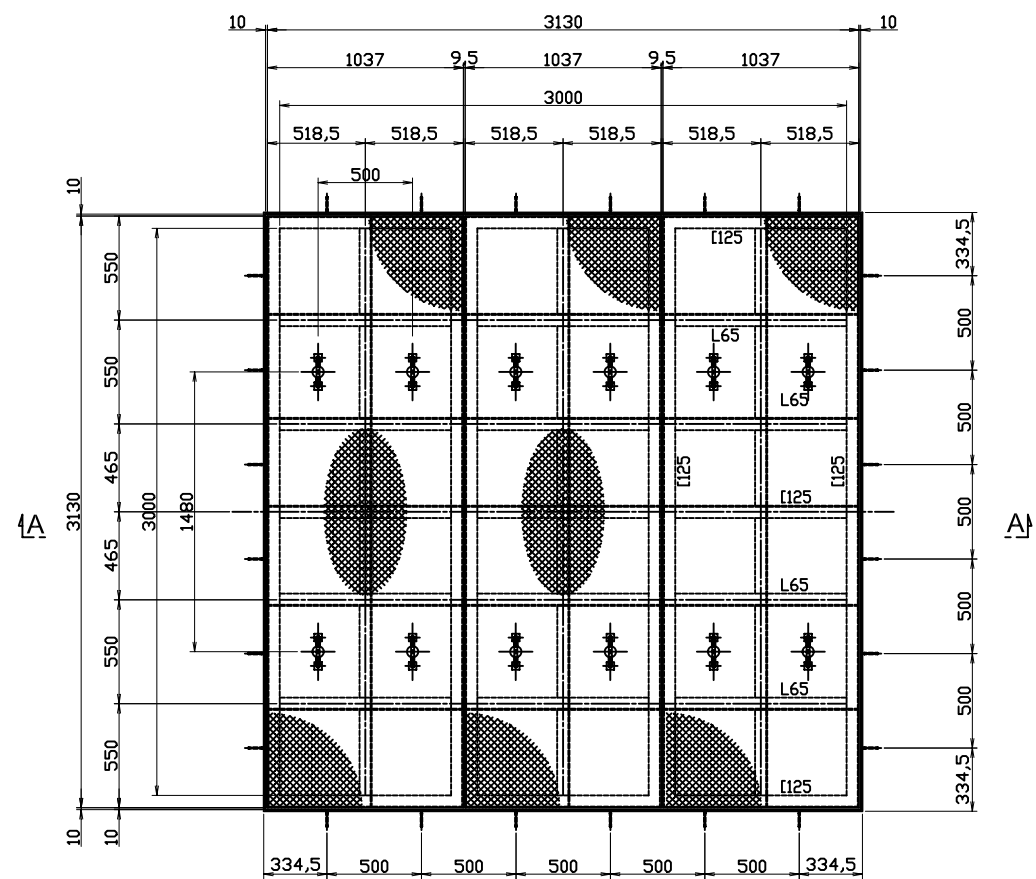
OPENING COVERS FOR PUMPS PHASE 2



WEIGHT PER PIECE : 84kg
 QUANTITY OF GRATING : 4
 SUB TOTAL : 336kg
 BEAM : 45kg
 TOTAL WEIGHT : 381kg

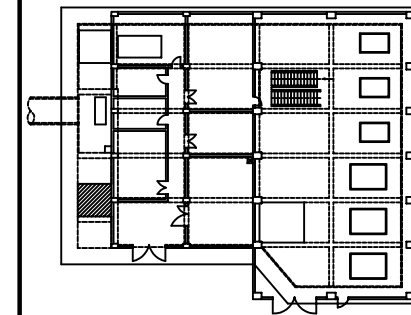


NO.	DATE	DESCRIPTIONS	BY	APRO.
REVISIONS				
PROJECT MANAGEMENT UNIT FOR HO CHI MINH CITY WATER ENVIRONMENT IMPROVEMENT				
THE DETAILED DESIGN STUDY ON HO CHI MINH CITY WATER ENVIRONMENT IMPROVEMENT PROJECT IN THE SOCIALIST REPUBLIC OF VIET NAM				
PACKAGE C INTERMEDIATE WASTEWATER PUMPING STATION				
DETAIL OF OPENING COVERS FOR INSTALLATION OF THE MAIN PUMPS				
SCALE : 1 / 20				
JAPAN INTERNATIONAL COOPERATION AGENCY (JICA)				
PACIFIC CONSULTANTS INTERNATIONAL				
DESIGNED SUGIURA KENICHIRO		CHECKED KONDO MASAMI		
DATE : JUNE 2001		DWG. No. PC - IWPS - 408		



WEIGHT PER PIECE FLOOR PLATE : 191kg
 WEIGHT PER PIECE FRAME : 161kg
 SUB TOTAL : 352
 QUANTITY : 3
 TOTAL WEIGHT : 1056kg

NOTE
 [125 : [125x65x6/8
 L65 : L65x65x6



NO.	DATE	DESCRIPTIONS	BY	APRO.

REVISIONS

PROJECT MANAGEMENT UNIT FOR
 HO CHI MINH CITY
 WATER ENVIRONMENT IMPROVEMENT

THE DETAILED DESIGN STUDY ON HO CHI MINH CITY
 WATER ENVIRONMENT IMPROVEMENT PROJECT
 IN THE SOCIALIST REPUBLIC OF VIET NAM

PACKAGE C
 INTERMEDIATE WASTEWATER PUMPING STATION

DETAIL OF OPENING COVERS
 FOR INLET PIT

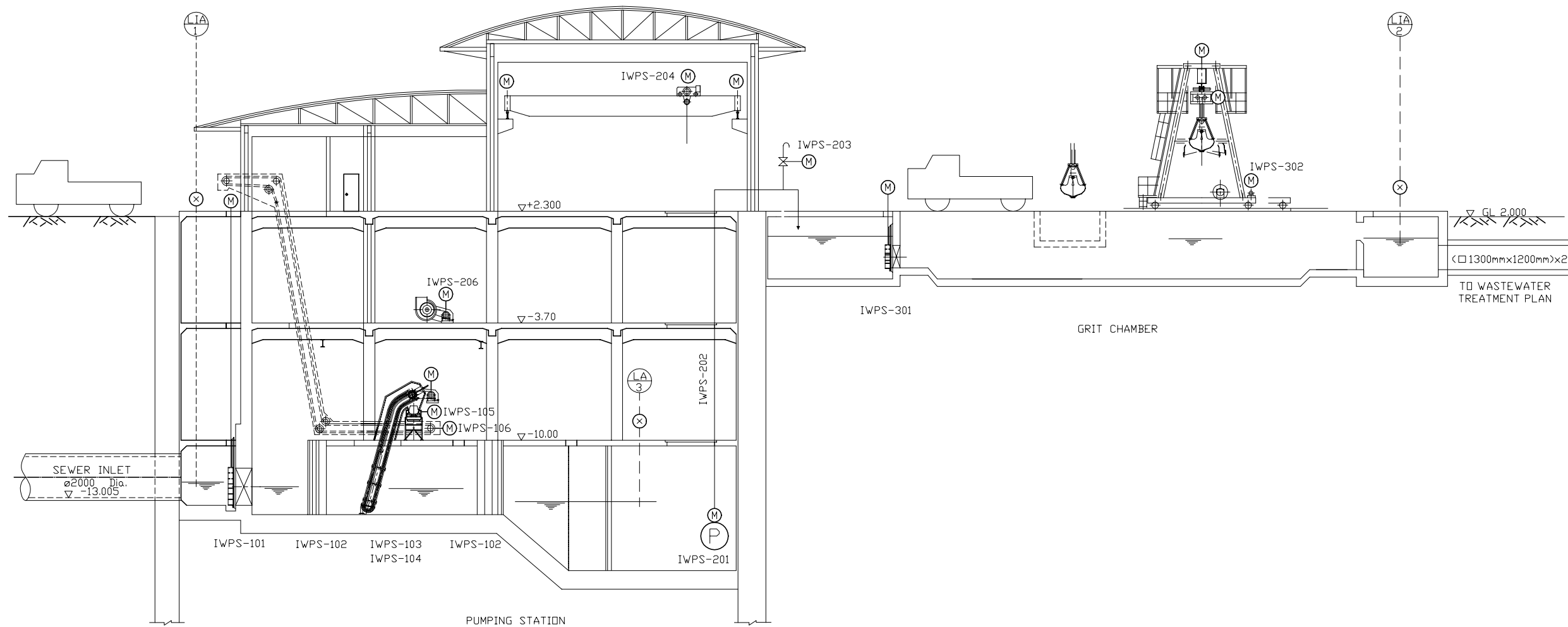
SCALE : 1 / 20

JAPAN INTERNATIONAL COOPERATION
 AGENCY (JICA)

PACIFIC CONSULTANTS INTERNATIONAL

DESIGNED : SUGIURA KENICHIRO
 CHECKED : KONDO MASAMI

DATE : JUNE 2001
 DWG. No. PC - IWPS - 409



No.	IWPS-101	IWPS-102	IWPS-103	IWPS-104	IWPS-105	IWPS-106	IWPS-201		IWPS-202	IWPS-203	IWPS-204	IWPS-205		IWPS-206
NAME	EMERGENCY GATE	STOP LOG GUIDE FRAME	FINE SCREEN	BAR SCREEN	HORIZONTAL CONVEYOR	INCLINED CONVEYOR	MAIN SEWER PUMP	MOTOR FOR ITEM IWPS-201	PIPE WORK	SIPHON BRAKER VALVE	OVERHEAD CRANE	PORTABLE TYPE DRAIN PUMP	PORTABLE TYPE DRAIN PUMP	AIR INLET FAN
MODEL	CAST IRON MADE SLUICE GATE	STEEL MADE	ROTARY FRONT RAKING TYPE	HAND RAKING TYPE	BELT TYPE	BELT WITH FIN	MIX FLOW SUMERSIBLE	REQUIRE CAGE INDUCTION	DUCTILE CAST IRON	DC OPERATED MOTOR VALVE	CRAB TYPE	SUBMERSIBLE PUMP	SUBMERSIBLE PUMP	AXIAL FLOW TYPE
SPC.	2000mmWx2000mmH	3500mmWx4000mmH	3500mmWx4000mmH	3500mmWx4000mmH	750mmWx6500mmL	1050mmWx12500mmL	700mm Dia. x 66.7m3/m x 14m	AC380V x 50hz x 220kw	700mm dia. x PN7.5	150mm Dia.	10 ton	50mm Dia.	100mm Dia.	270m3/minx15mmAq x2.2Kw
Q'TY	1	4	1	1	1	1	3	3	3	3	1	1	1	2

No.	IWPS-301	IWPS-302
NAME	INLET GATE FOR GRIT CHAMBER	GRIT REMOVAL EQUIPMENT
MODEL	CAST IRON MADE SLUICE GATE	GRAB BUCKET TYPE
SPC.	2000mmWx1200mmH	5000mmWx19500mmL
Q'TY	2	1

PIPE LINE/WIRING	VALVES	EQUIPMENT	INSTRUMENTS
— WATER LINE	⋈ GATE VALVE	(P) PUMP	(LTA) MOUNED ON SUPERVISORY PANEL
— AIR LINE	∞ BUTTERFLY VALVE	(BR) BLOWER	(X) TRANSMITTER
— CONCRETE CHANNEL	∞ DIAIHRAGM VALVE	(S) STRAINER	(+/-) ORIFICE METER
— CABLING	∞ CHECK VALVE	(A) AIR CONTROL VALVE	
	⊕ MOTOR DRIVEN VALVE		
	⊖ SOLENOID VALVE		

NO.	DATE	DESCRIPTIONS	BY	APRO.

REVISIONS

PROJECT MANAGEMENT UNIT FOR
HO CHI MINH CITY
WATER ENVIRONMENT IMPROVEMENT

THE DETAILED DESIGN STUDY ON HO CHI MINH CITY
WATER ENVIRONMENT IMPROVEMENT PROJECT
IN THE SOCIALIST REPUBLIC OF VIET NAM

PACKAGE C
INTERMEDIATE WASTEWATER PUMPING STATION
FLOWSHEET OF IWPS

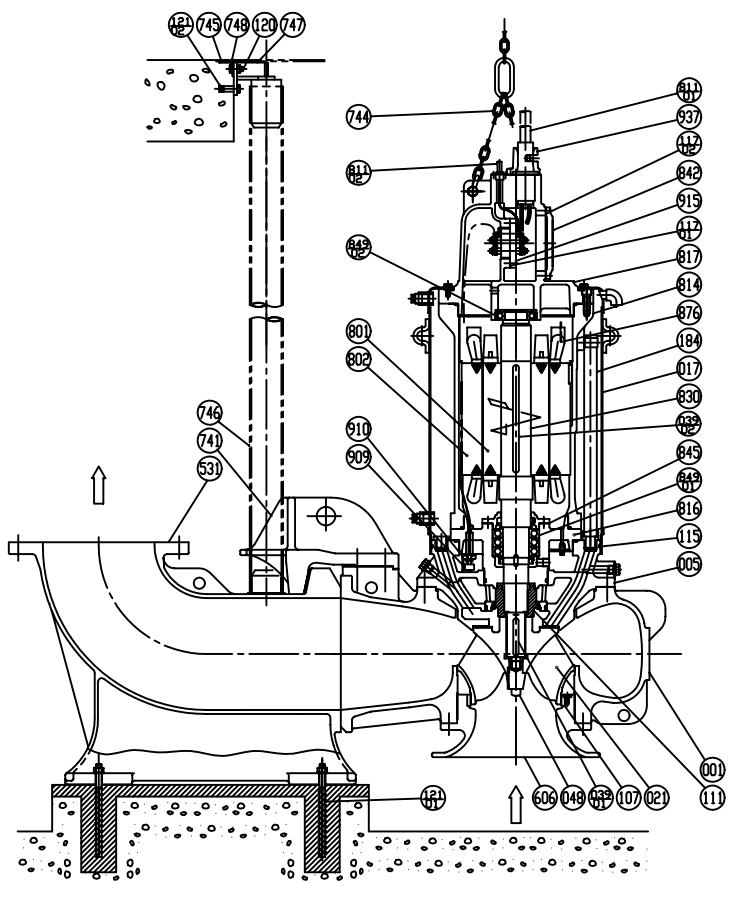
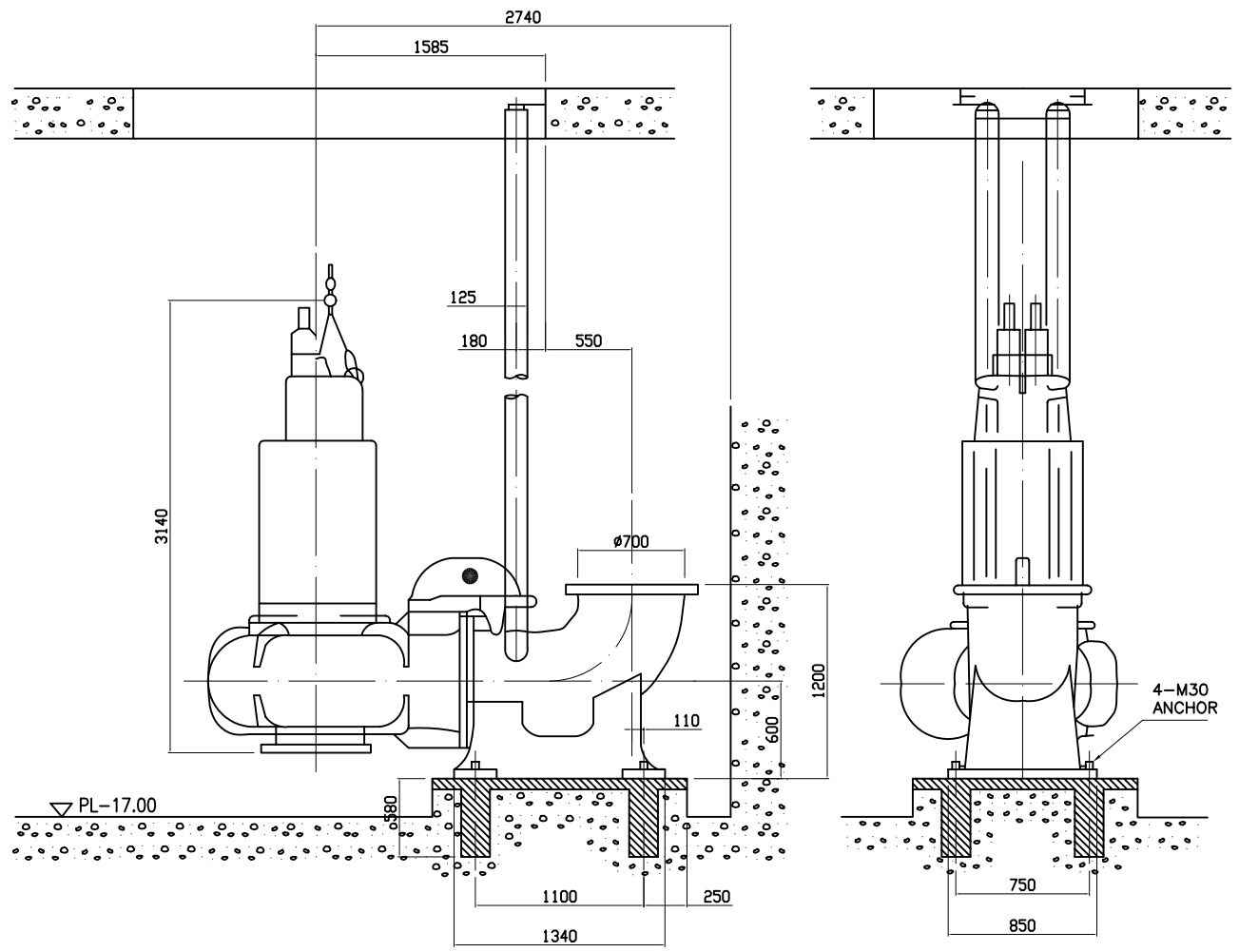
SCALE : AS SHOW

JICA JAPAN INTERNATIONAL COOPERATION AGENCY (JICA)

PACIFIC CONSULTANTS INTERNATIONAL

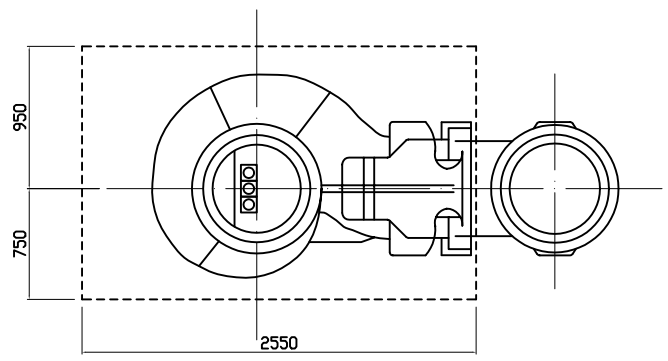
DESIGNED SUGIURA KENICHIRO
CHECKED KONDO MASAMI

DATE : JUNE 2001 DWG. No. PC- IWPS - 410



TYPICAL PUMP SECTIONAL

937	CABLE COVER	GRAY IRON CASTING	FC200	1SET	
915	TERMINAL BOARD	URETHANE	-	1	
910	LEAKAGE DETECTOR SUPPORT	GRAY IRON CASTING	FC200	1	
909	LEAKAGE DETECTOR	-	-	1	
876	THERMAL PROTECTOR	-	-	1SET	
849-02	BALL BEARING	-	-	1	
849-01	BALL BEARING	-	-	1SET	
845	BEARING COVER	GRAY IRON CASTING	FC200	1	
842	TERMINAL BOX COVER	GRAY IRON CASTING	FC250	1	
830	SHAFT	130 r s. STEEL	SUS403	1	
817	OPPOSITE SIDE BRACKET	DUCTILE IRON CASTING	FC250	1	
816	POWER SIDE BRACKET	GRAY IRON CASTING	FC250	1	
814	MOTOR FRAME	GRAY IRON CASTING	FC250	1	
811-02	CONTROL CORD	-	-	1	
811-01	LINE CORD	-	-	1SET	
802	STATOR	SUS304 STEEL SHEET	-	1	
801	ROTOR	SUS304 STEEL SHEET	-	1	
748	FLOOR PLATE	ROLLED STEEL	SS400	1	
747	GUIDE PIPE SUPPORT	ROLLED STEEL	SS400	1	
746	GUIDE PIPE	304 S. STEEL	SUS304	2	
745	FLOOR FRAME	ROLLED STEEL	SS400	1	
744	LIFTING CHAIN	304 S. STEEL	SUS304	1	
741	SLIDING GUIDE	DUCTILE IRON CASTING	FC400	1	
606	SUCTION BELLMOUTH	GRAY IRON CASTING	FC250	1	
531	QUICK DISCHARGE CONNECTOR	GRAY IRON CASTING	FC250	1	
184	COOLING WATER PIPE	ROLLED STEEL	SGP	4	
121-02	HOLE-IN ANCHOR	304 S. STEEL	SUS304	2	
121-01	ANCHOR BOLT	304 S. STEEL	SUS304	4	
120	HOLDER BOLT	304 S. STEEL	SUS304	2	
117-02	SHEET GASKET	VALQUA#6500	-	1	
117-01	SHEET GASKET	NBR	-	1	
115	O-RING	NBR	-	1SET	
111	MECHANICAL SEAL	-	-	1	
107	CASING RING	130 r s. STEEL	SUS403	1	
048	IMPELLER NUT	304 S. STEEL	SUS304	1	
039-02	KEY	CARBON STEEL	S50C	1	
039-01	KEY	130 r s. STEEL	SUS420J2	1	
021	IMPELLER	130 r s. STEEL	SCS5	1	
017	COOLING JACKET	ROLLED STEEL	SS400	1	
005	INTERMEDIATE CASING	GRAY IRON CASTING	FC250	1	
001	PUMP CASING	GRAY IRON CASTING	FC250	1	
NO.	PARTS NAME	NAME	JIS CODE	QTY.	REMARKS
		MATERIAL			



TYPICAL PUMP OUTLINE

NO.	DATE	DESCRIPTIONS	BY	APRO.
-----	------	--------------	----	-------

REVISIONS

PROJECT MANAGEMENT UNIT FOR
HO CHI MINH CITY
WATER ENVIRONMENT IMPROVEMENT

THE DETAILED DESIGN STUDY ON HO CHI MINH CITY
WATER ENVIRONMENT IMPROVEMENT PROJECT
IN THE SOCIALIST REPUBLIC OF VIET NAM

PACKAGE C
INTERMEDIATE WASTEWATER PUMPING STATION

TYPICAL PUMP OUTLINE
AND SECTION

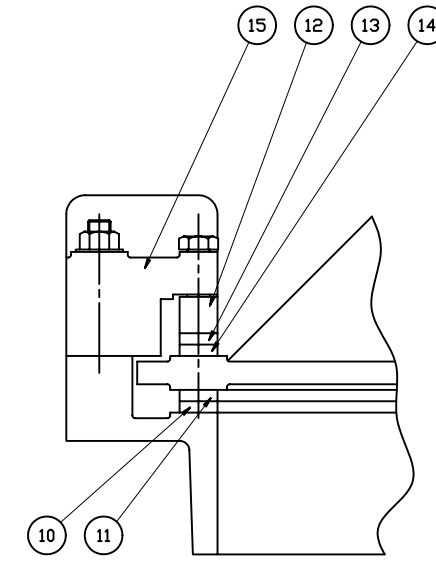
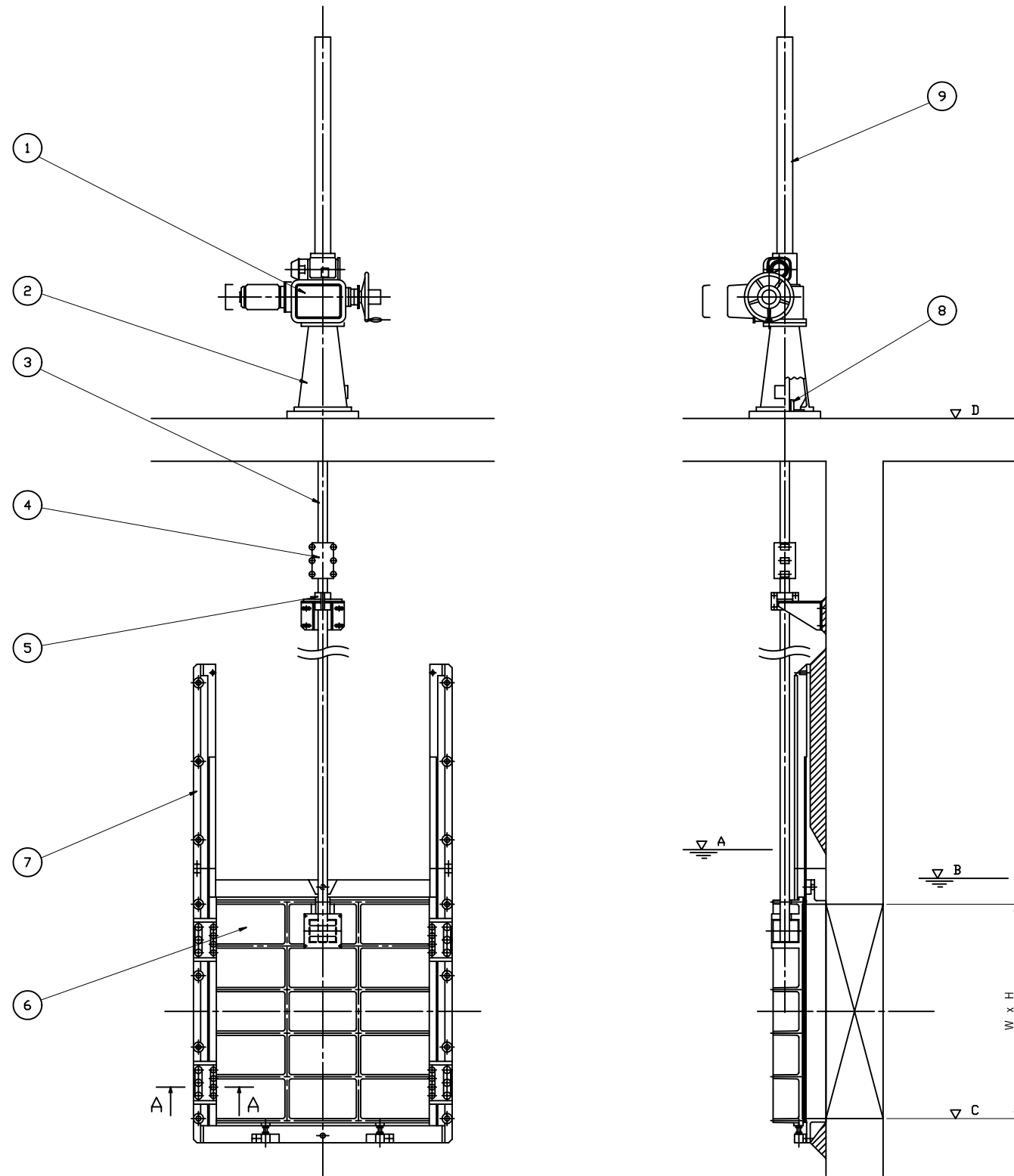
SCALE :

JAPAN INTERNATIONAL COOPERATION
AGENCY (JICA)

PACIFIC CONSULTANTS INTERNATIONAL

DESIGNED SUGIURA KENICHIRO	CHECKED KONDO MASAMI
-------------------------------	-------------------------

DATE : JUNE 2001 DWG. No. PC - IWPS - 411



A - A DETAIL

15	WEDGE BRACKET	DUCTILE IRON	4	
14	LEAF LINER	COPPER ALLOY CASTING	4	
13	WEDGE LINER	STAINLESS STEEL	4	
12	WEDGE	DUCTILE IRON	4	
11	SEAL PLATE < LEAF SIDE >	COPPER ALLOY CASTING	1 SET	
10	SEAL PLATE < FRAME SIDE >	STAINLESS STEEL	1 SET	
9	SPINDLE COVER	STAINLESS STEEL	1	
8	BUSH	DILESS METAL	1	
7	GATE FRAME	CAST IRON	1	
6	GATE LEAF	CAST IRON	1	
5	SPINDLE SUPPORT	CAST IRON + STAINLESS STEEL		
4	COUPLING	DUCTILE IRON	1 SET	
3	SPINDLE	STAINLESS STEEL	1	
2	HEAD STOCK	CAST IRON	1	
1	ACTUATOR		1	
No.	PART NAME	MATERIAL	Q / TY	REMARKS

GATE NAME	TYPE	QUANTITY	EFFECTIVE SPAN	EFFECTIVE HEIGHT	DESIGN WATER LEVEL		OPERATION WATER LEVEL		GATE SILL LEVEL	HEAD STOCK LEVEL
			W (mm)	H (mm)	PRESS. SIDE A (m)	ANTI-PRESS. SIDE B (m)	PRESS. SIDE A (m)	ANTI-PRESS. SIDE B (m)		
EMERGENCY GATE	CAST IRON, SLUICE	1	2000	2000	1.500	-13.300	1.500	-13.500	-13.500	2.300
INLET GATE OF GRIT CHAMBER	CAST IRON, SLUICE	2	2000	1200	0.660	-0.900	0.660	-0.900	-0.900	2.300

NO.	DATE	DESCRIPTIONS	BY	APRO.

REVISIONS

PROJECT MANAGEMENT UNIT FOR
WATER ENVIRONMENT IMPROVEMENT FOR
HO CHI MINH CITY

THE DETAILD DESIGN ON HO CHI MINH CITY
WATER ENVIRONMENT IMPROVEMENT PROJECT
IN THE SOCIALIST REPUBLIC OF VIET NAM

PACKAGE C
INTERMEDIATE WASTEWATER PUMPING STATION
LAYOUT OF EMERGENCY GATE
AND INLET GATES

SCALE : AS SHOW

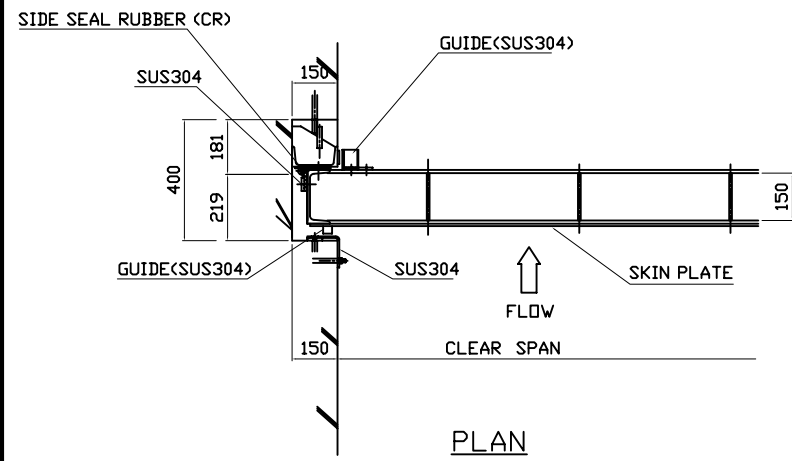
JICA JAPAN INTERNATIONAL COOPERATION
AGENCY (JICA)

PACIFIC CONSULTANTS INTERNATIONAL

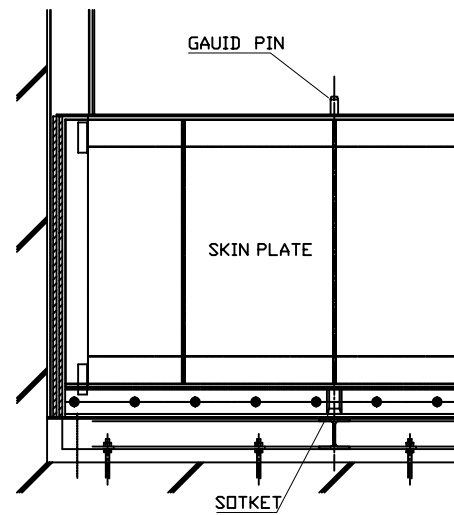
DESIGNED
SUGIURA KENICHIRO

CHECKED
KONDO MASAMI

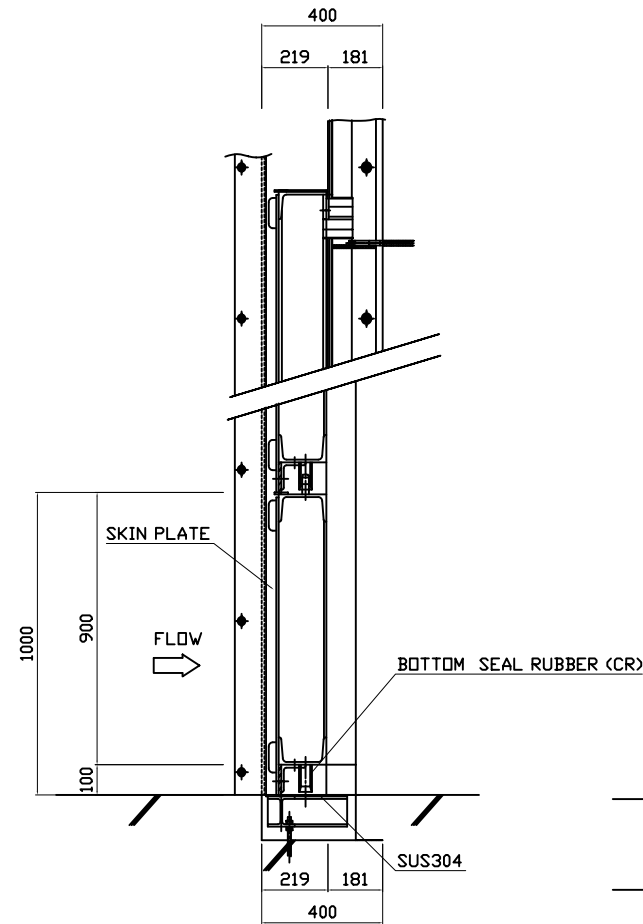
DATE : JUNE 2001 DWG. No. PC - IWPS - 412



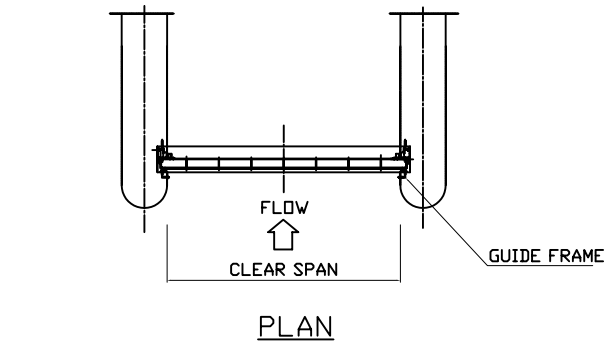
PLAN



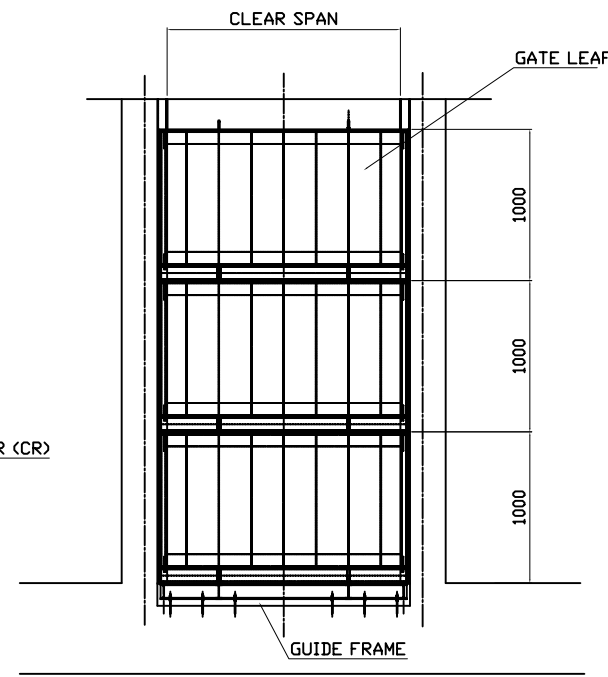
FRONT VIEW



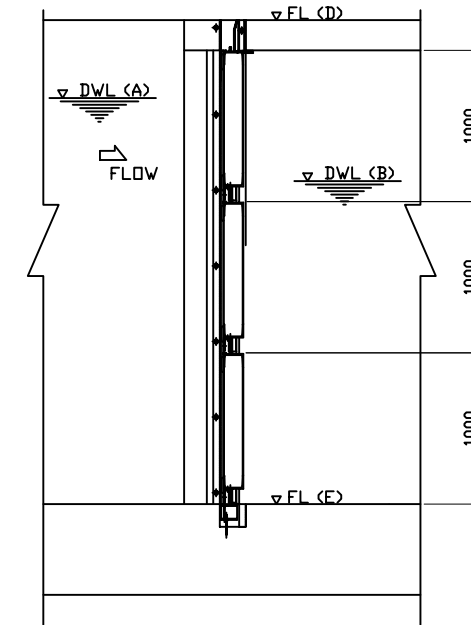
SECTION A



PLAN



FRONT VIEW



SECTION A

SPECIFICATION	
TYPE	STEEL, FABRICATE TYPE
CLEAR SPAN x HEIGHT	3500mmW x 4000mmH
Q'TY - GUIDE FRAME	4sets
- GATE LEAF	2set (3pcs/set)
DESIGN DEPTH (H)	2.50m
WATERTIGHT	3-SIDE, RUBBER SEALED
PRINCIPAL MATERIAL	GATE - JIS SS400
OPERATION	BY GANTRY CRANE
LEVEL	
DWL (A)	-11.50
DWL (B)	-13.30
FL (D)	-10.00
FL (E)	-14.00

NO.	DATE	DESCRIPTIONS	BY	APRO.

REVISIONS

PROJECT MANAGEMENT UNIT FOR
HO CHI MINH CITY
WATER ENVIRONMENT IMPROVEMENT

THE DETAILED DESIGN STUDY ON HO CHI MINH CITY
WATER ENVIRONMENT IMPROVEMENT PROJECT
IN THE SOCIALIST REPUBLIC OF VIET NAM

PACKAGE C
INTERMEDIATE WASTEWATER PUMPING STATION

LAYOUT OF STOP LOG

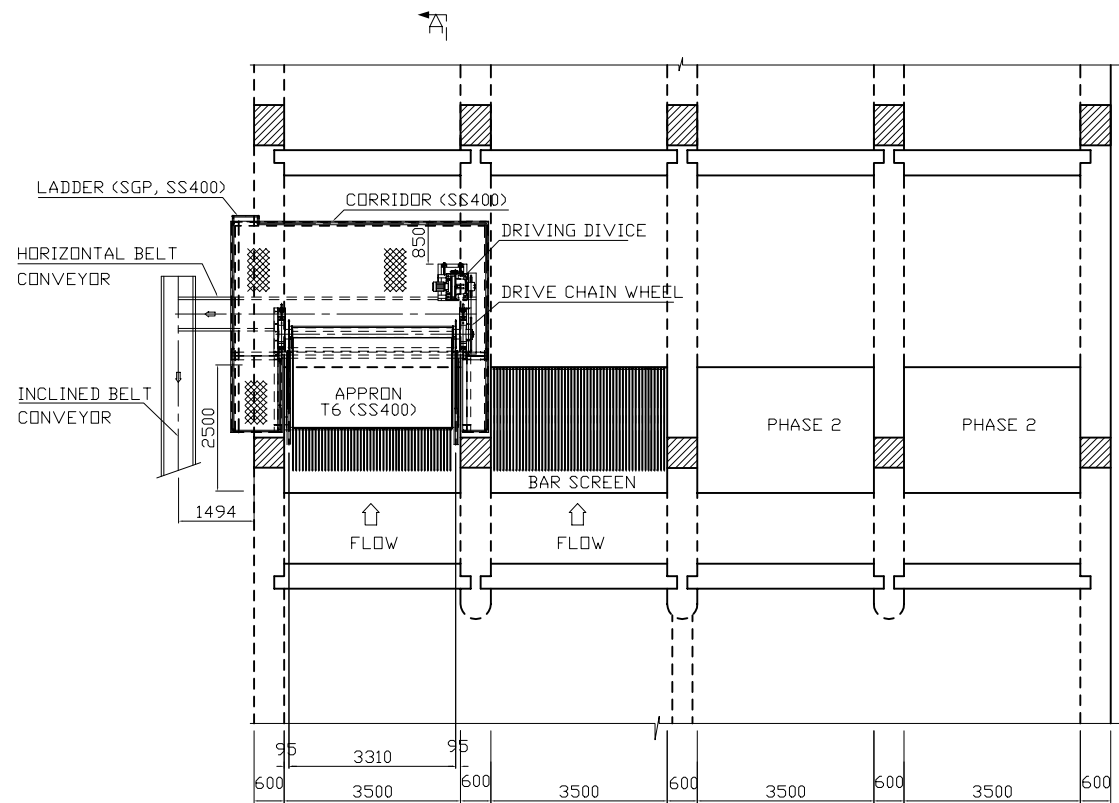
SCALE : AS SHOW

JICA JAPAN INTERNATIONAL COOPERATION
AGENCY (JICA)

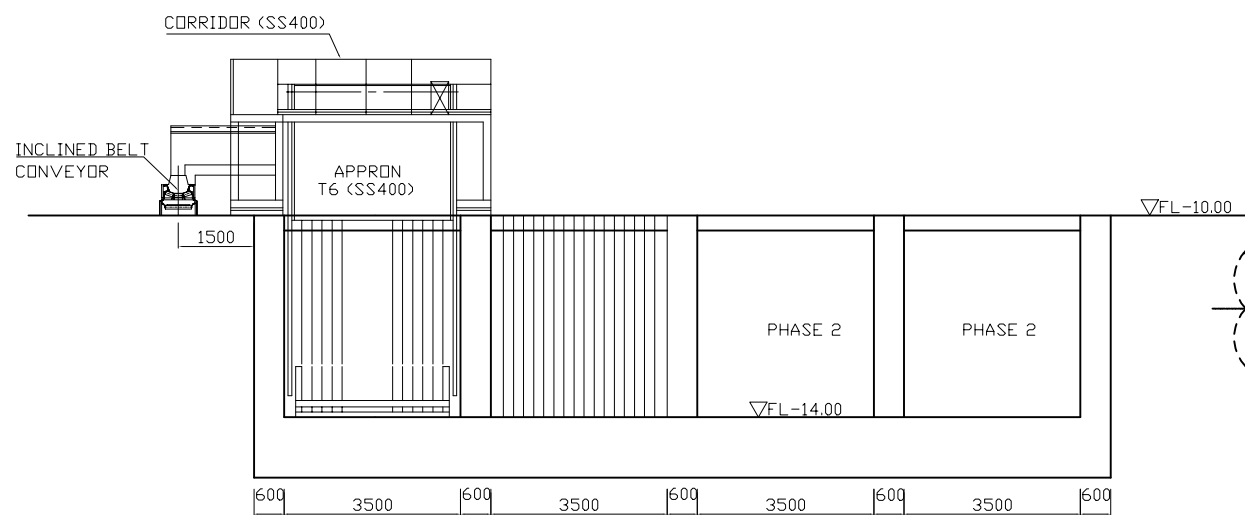
PACIFIC CONSULTANTS INTERNATIONAL

DESIGNED SUGIURA KENICHIRO CHECKED KONDO MASAMI

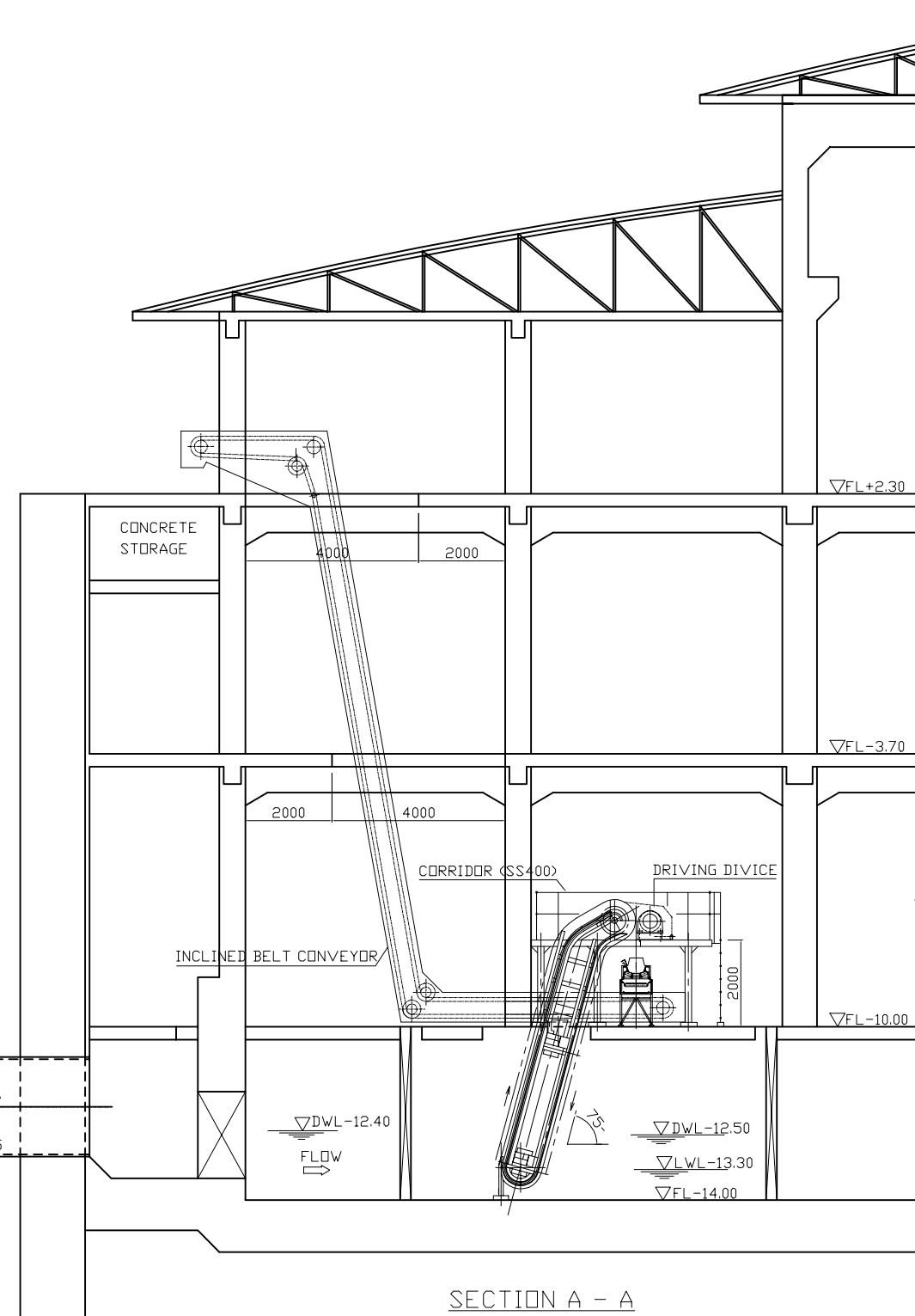
DATE : JUNE 2001 DWG. No. PC - IWPS - 413



PLAN



FRONT VIEW



SECTION A - A

AUTOMATIC TRASH RAKE AND SCREEN	
INTAKE CANAL WIDTH	3500 mm
INTAKE CANAL DEPTH	4000 mm
NET OPENING	25 mm
EFFECTIVE WIDTH OF RAKE	300 mm
NUMBER OF RAKE	4
RAKE SPEED	APPROX 5 m
MOTOR OUTPUT	3.7 Kw 4 P
POWER SOURCE	AC 380 V 50 Hz
NUMBER OF UNIT	1 UNIT

BAR SCREEN	
INTAKE CANAL WIDTH	3500 mm
INTAKE CANAL DEPTH	4000 mm
NET OPENING	25 mm
DEGREE OF INCLINATION	60°
NUMBER OF UNIT	1 UNIT

HORIZONTAL BELT CONVEYOR	
TYPE	HORIZONTAL RUBBER BELT
BELT WIDTH	750 mm
LENGTH	APPROX 6000 mm
BELT SPEED	APPROX 24 m/min
MOTOR OUTPUT	3.7 Kw 4 P
POWER SOURCE	AC 380 V 50 Hz
NUMBER OF UNIT	1 UNIT

INCLINED BELT CONVEYOR	
TYPE	RUBBER BELT WITH FIN
BELT WIDTH	750 mm
HEIGHT	APPROX 12500 mm
BELT SPEED	24m/min
DEGREE OF INCLINATION	80°
MOTOR OUTPUT	3.7 Kw 4 P
POWER SOURCE	AC 380 V 50 Hz
NUMBER OF UNIT	1 UNIT

NO.	DATE	DESCRIPTIONS	BY	APRO.

REVISIONS				

PROJECT MANAGEMENT UNIT FOR
HO CHI MINH CITY
WATER ENVIRONMENT IMPROVEMENT

THE DETAILED DESIGN STUDY ON HO CHI MINH CITY
WATER ENVIRONMENT IMPROVEMENT PROJECT
IN THE SOCIALIST REPUBLIC OF VIET NAM

PACKAGE C
INTERMEDIATE WASTEWATER PUMPING STATION
LAYOUT OF AUTOMATIC FINE SCREEN

SCALE : 1/75

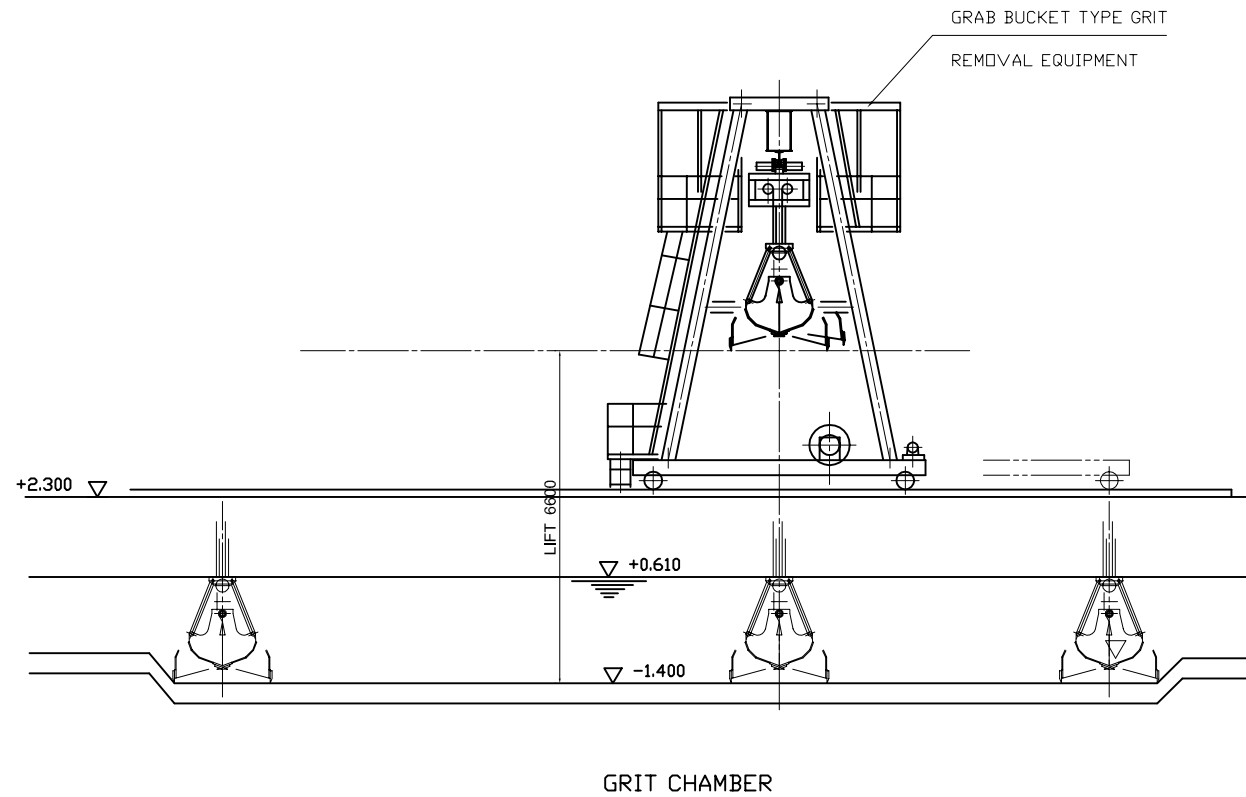
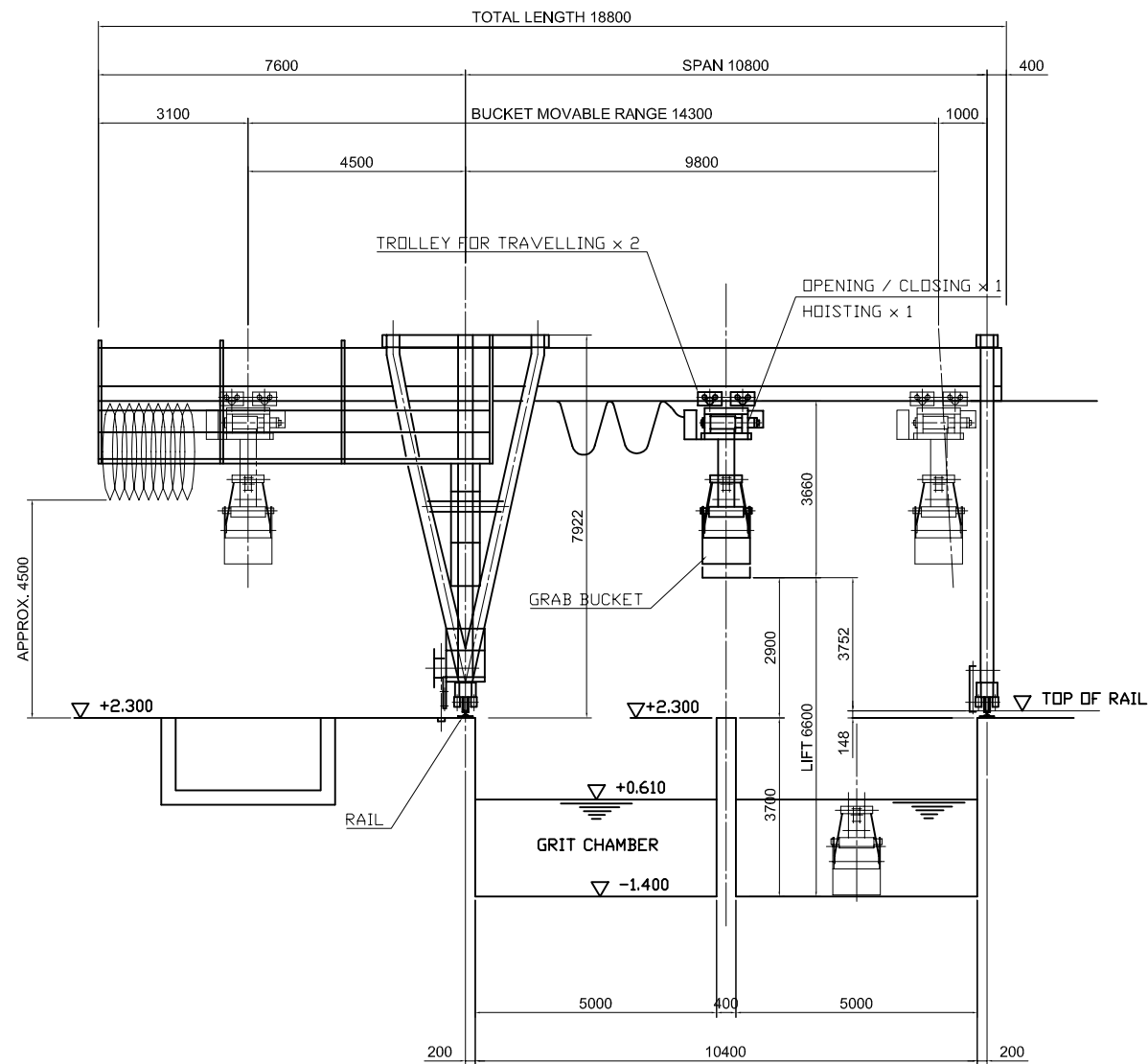
JICA JAPAN INTERNATIONAL COOPERATION
AGENCY (JICA)

PACIFIC CONSULTANTS INTERNATIONAL

DESIGNED
SUGIURA KENICHIRO

CHECKED
KONDO MASAMI

DATE : JUNE 2001 DWG. No. PC- IWPS - 414



TECHNICAL REQUIREMENT	
TYPE	GRAB BUCKET TYPE
DIMENSION	5.0mW x 3.7mD x 19mL x 2
HOISTING CAPACITY	2.0t
RATED CAPACITY	1.0t
SPAN	10.8m
TRAVELLING SPEED	APPROX. 30m/min
TRAVELLING DEVICE	1.5kW x 2
TRAVELLING SPEED	APPROX. 25m/min
TRAVELLING DEVICE	0.6kW x 2
HOISTING SPEED	APPROX. 10m/min
HOISTING DEVICE	3.5kW
OPEN/CLOSING DEVICE	3.5kW
LIFT	9.6m
ELECTRIC SOURCE	AC 380v x 50Hz x 3 PHASE
WIRE ROPE	φ 10 (GALVANIZED)

GRAB BUCKET REQUIREMENT	
CAPACITY	0.5m ³
WEIGHT OF BUCKET	APPROX 1.0t
HOISTING CAPACITY	APPROX 2.0t

NO.	DATE	DESCRIPTIONS	BY	APRO.

REVISIONS

PROJECT MANAGEMENT UNIT FOR
WATER ENVIRONMENT IMPROVEMENT FOR
HO CHI MINH CITY

THE DETAILD DESIGN ON HO CHI MINH CITY
WATER ENVIRONMENT IMPROVEMENT PROJECT
IN THE SOCIALIST REPUBLIC OF VIET NAM

PACKAGE C
INTERMEDIATE WASTEWATER PUMPING STATION
LAYOUT OF GRAB BUCKET TYPE
GRIT REMOVAL EQUIPMENT

SCALE : 1 / 75

JICA JAPAN INTERNATIONAL COOPERATION
AGENCY (JICA)

PACIFIC CONSULTANTS INTERNATIONAL

DESIGNED SUGIURA KENICHIRO
CHECKED KONDO MASAMI

DATE : JUNE 2001 DWG. No. PC - IWPS - 415