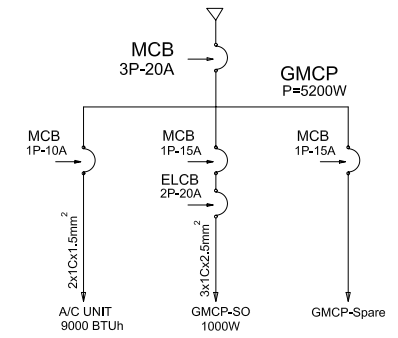
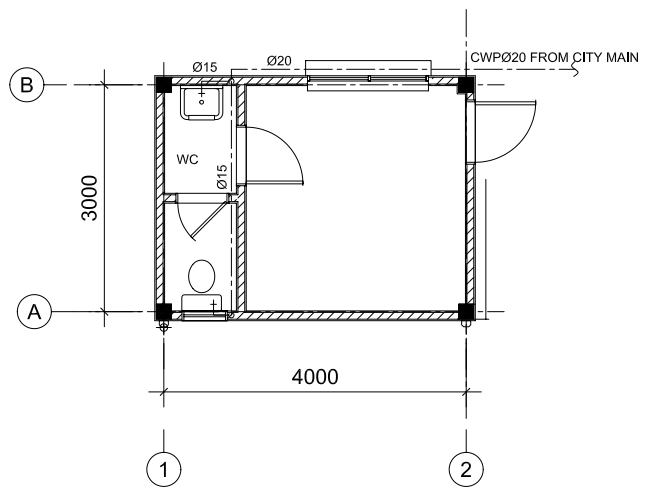
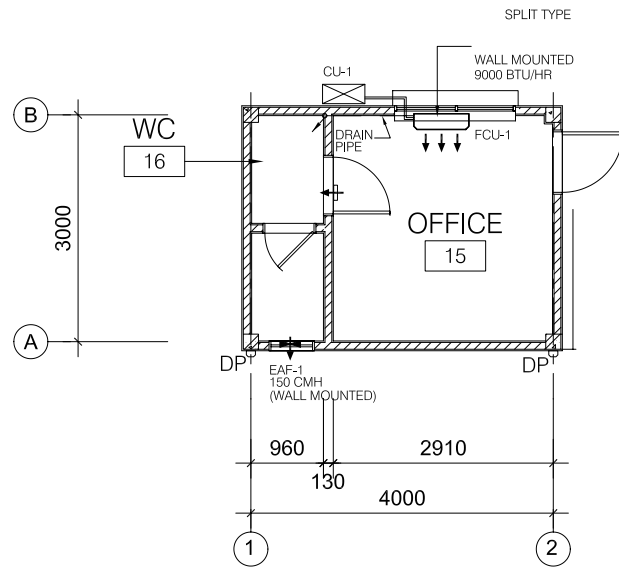


FLOOR PLAN
SCALE 1/50

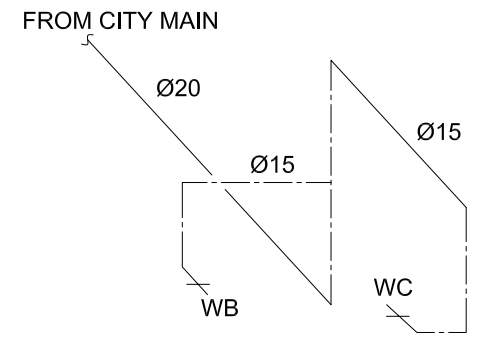


SINGLE LINE DAIGRAM

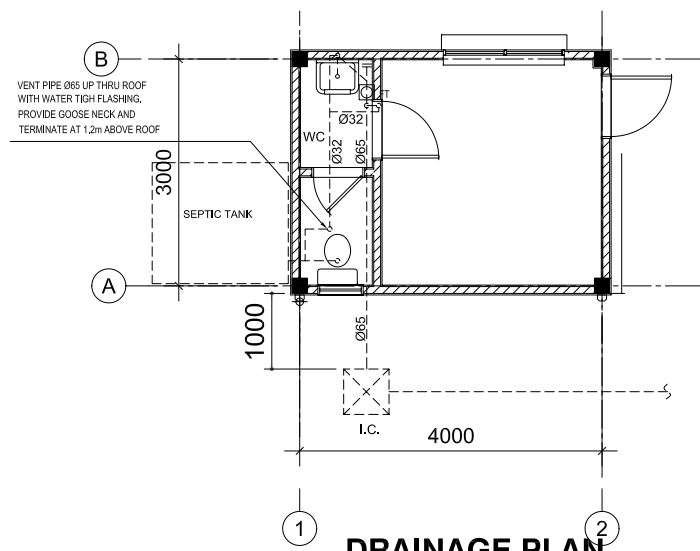
AIRCONDITIONING & VENTILATION PI
SCALE 1/50



PLUMBING PLAN
SCALE :1/50



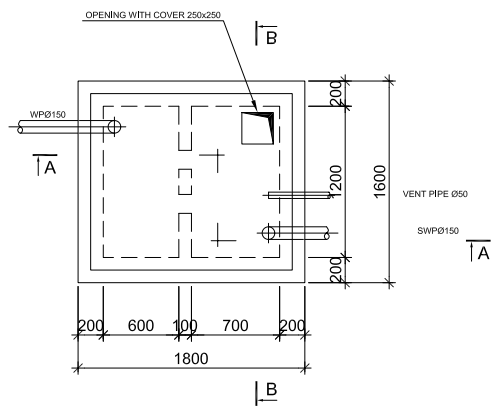
ISOMETRIC OF COLD WATER SUPPLY SYS



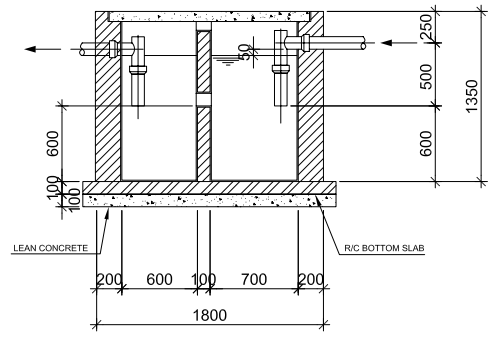
DRAINAGE PLAN
SCALE : 1/50

SEPTIC TANK

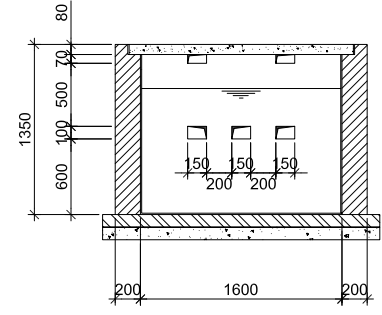
SCALE : 1/25



PLAN



SECTION A-A



SECTION B-B

LEGEND

- 190mm THK. BRICK WALL, 20THK CEM./SAND RENDERING ON SURFACE / TUONG GACH DAY 190mm, TRAT VUA DAY 20 MOI MAT
- 90mm THK. BRICK WALL, 20THK CEM./SAND RENDERING ON SURFACE / TUONG GACH DAY 90mm, TRAT VUA DAY 20 MOI MAT

NO.	DATE	DESCRIPTIONS	BY	APRO.

REVISIONS

PROJECT MANAGEMENT UNIT FOR
HO CHI MINH CITY
WATER ENVIRONMENT IMPROVEMENT

THE DETAILED DESIGN STUDY ON HO CHI MINH CITY
WATER ENVIRONMENT IMPROVEMENT PROJECT
IN THE SOCIALIST REPUBLIC OF VIET NAM

PACKAGE C
INTERMEDIATE WASTEWATER PUMPING STATION
GUARD HOUSE
PLAN OF LIGHTING, PLUMBING,
DRAINAGE AND SEPTICTANK

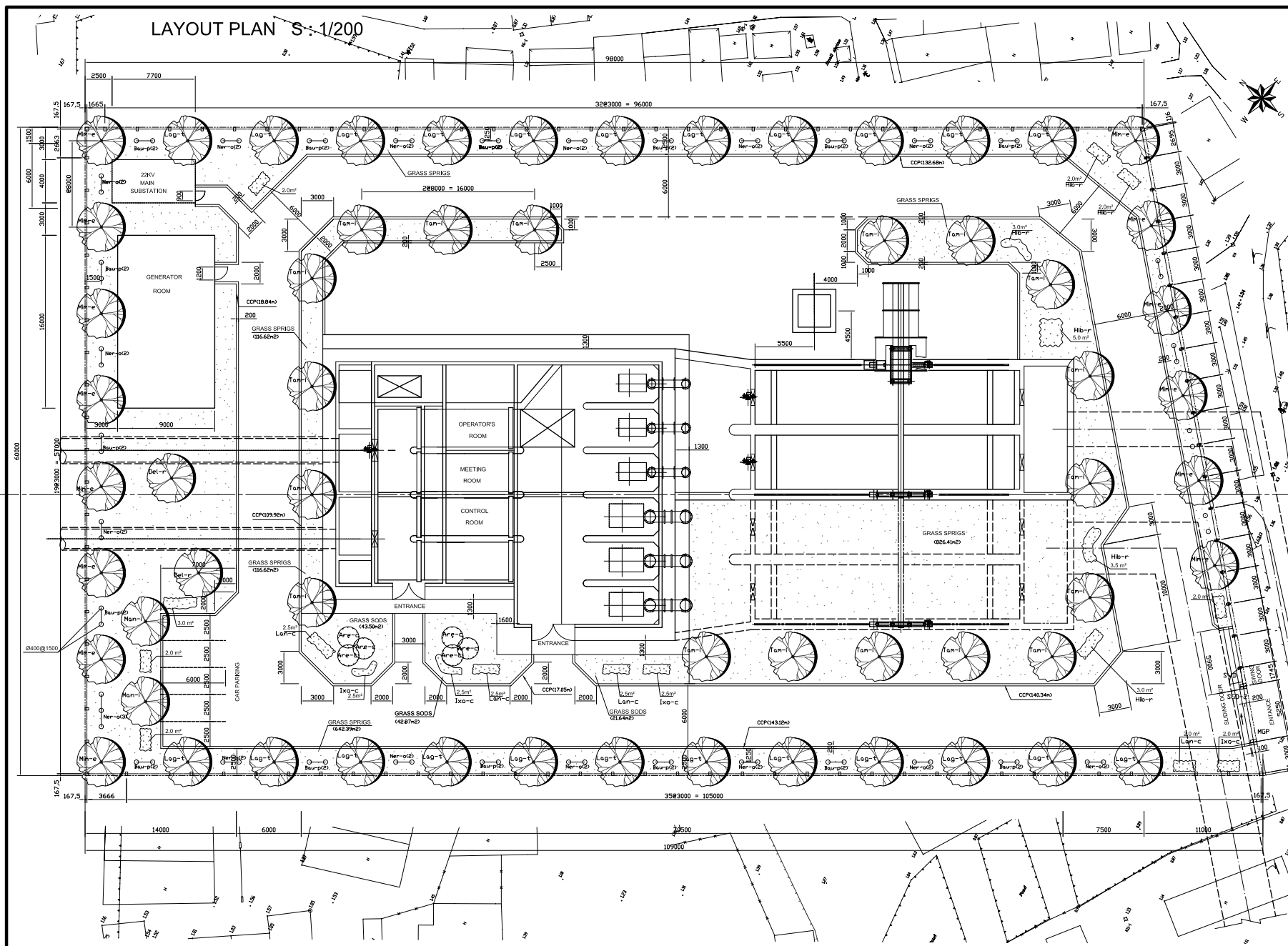
SCALE : 1/50, 1/30

JICA JAPAN INTERNATIONAL COOPERATION AGENCY (JICA)

PACIFIC CONSULTANTS INTERNATIONAL

DESIGNED KIMURA TORU	CHECKED KONDO MASAMI
-------------------------	-------------------------

DATE : JUNE 2001 DWG. No. PC - IWPS - 338



LANDSCAPE WORK LIST (PACKAGE C: INTERMEDIATE PUMPING STATION)

LEGEND	WORK ITEM	UNIT	QUANTITY	SIZE / DIMENSION	REMARKS
MGP	MAIN GATE POSTS (2 POSTS IN 1 SET)	No.	1.00	565 x 450 x H 2500	STEEL REINFORCED CONCRETE
SOD-2	SLIDING GATE DOOR (TYPE-2)	No.	1.00	H 2000 x W 500 x L 9500	STEEL 50 x 50 FRAMED DOOR WITH WHEELS ON BOTTOM
SWD	SWING DOOR (SWING DOOR WITH COLUMN)	No.	1.00	H 2000 x W 1300 STEEL 50 x 50 FRAMED	REINFORCED CONC. COLUMN
GF-A	GRID FENCE (TYPE-A) (STEEL FENCE AND COLUMN)	m	319.69	H 2200 x 3000 SPAN STEEL BAR WITH BASE TRIM	REINFORCED CONC. COLUMN
CCP	CURB OF CONCRETE PAVING	m	544.90	200 x 250 x L	CAST IN SITU CONCRETE
CPV	CONCRETE PAVING	m ²	2281.00	150 THK CAST IN SITU CONCRETE	
	PLANTING WORK				REFER TO PLANTING LIST

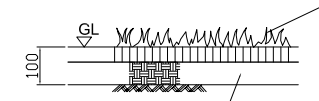
PLANT LIST: PACKAGE C: DEVELOPMENT (INTERMEDIATE PUMPING STATION) PC-L1

LEGEND	PLANT CATEGORY	SPECIES (SCIENTIFIC NAME)	UNIT	QUANTITY	HEIGHT	STEM DIA. IN 1.2m HEIGHT	CROWN DIA.	ROOT BALL DIA.	TREE SUPPORT	REMARKS
Del-r	TREE	Delonix regia	No.	2.00	3.0	0.06		0.45	TRIPOD WITH POLE	
Lap-l	TREE	Lagerstroemia tomentosa	No.	23.00	4.0	0.04		0.45	TRIPOD WITH POLE	
Man-l	TREE	Mangifera indica	No.	2.00	3.0	0.03		0.40	TRIPOD WITH POLE	
Mim-r	TREE	Mimusops elengi	No.	14.00	4.0	0.04		0.45	TRIPOD WITH POLE	
Tam-l	TREE	Tamarindus indica	No.	18.00	3.0	0.04		0.45	TRIPOD WITH POLE	
Are-c	PALM	Areca catechu	No.	6.00	3.0	0.15		0.45	TRIPOD	
Hb-r	SHRUB	Hibiscus rosa-sinensis	m ²	27.50	0.4		0.25			GROUP PLANTING (10Nos/m ²)
Ixo-c	SHRUB	Ixora coccinea (Ixora chinensis)	m ²	11.50	0.4		0.25			GROUP PLANTING (10Nos/m ²)
Lan-c	SHRUB	Lantana camara	m ²	9.50	0.4		0.25			GROUP PLANTING (10Nos/m ²)
Bau-p	SHRUB	Bauhinia purpurea	No.	34.00	1.0	0.01				
Ner-o	SHRUB	Nerium oleander	No.	35.00	1.0	0.01				
	GRASS	Axonopus compressus (Broad leaved grass)	m ²	109.01						MAIN ENTRANCE FRONT AREA
	GRASS	Axonopus compressus (Broad leaved grass)	m ²	1585.42						

NOTE : INNER ROAD PLAN REFERS TO DWG.No. PC - IWPS - 220

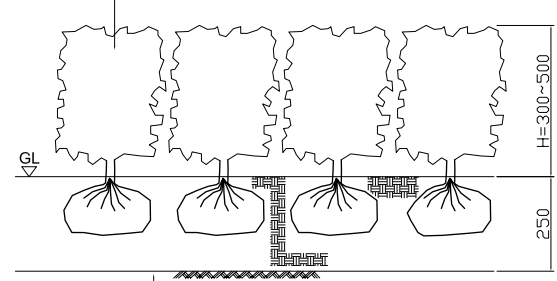
S : 1/10

GRASS SODS (TURF GRASS)
GRASS SPECIES SHALL BE AXONOPUS COMPRESSUS



S : 1/10

FLOWERING SHRUBS GROUP PLANTING
SPECIES AND SIZES SHALL BE SPECIFIED IN THE PLANTING LIST



PLANTING BED, H=250 SHALL BE MADE BY REPLACEMENT OF AGRICULTURE SOIL AFTER REMOVAL OF DEPTH OF 250 EXISTING SOIL

S : 1/30

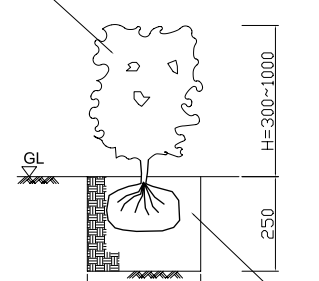
TREE SUPPORTING POST
□ 30-40 L=3500 IN MINIMUM
WOOD LUMBER POST
STAKES 600 IN DEPTH TO THE GROUND AFTER TREE PLANTED

FASTEN TIES BY VINYLE LAPPING ROPE Ø3-5 IN 5 TIMES WITH PLANTED TREE 3 SECTION ON THE POST

FASTEN TIES OF 3 LODS WITH POST BY GAVANIZED WIRE (Ø1-1.5) 5 TIMES

S = 1/10

FLOWERING SHRUB INDEPENDANT PLANTING
SPECIES AND SIZES SHALL BE SPECIFIED IN THE PLANTING LIST

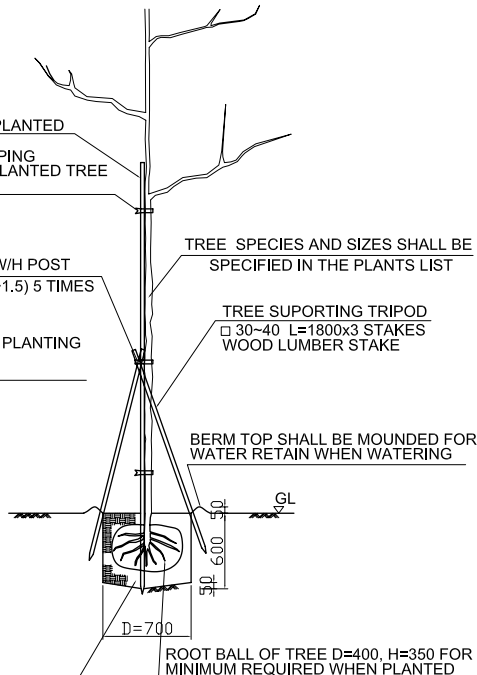


PLANTING HOLE D=300, H=250 EXCAVATED SOIL SHALL BE REPLACED BY AGRICULTURE SOIL

TREE SPECIES AND SIZES SHALL BE SPECIFIED IN THE PLANTS LIST

TREE SUPPORTING TRIPOD □ 30-40 L=1800x3 STAKES WOOD LUMBER STAKE

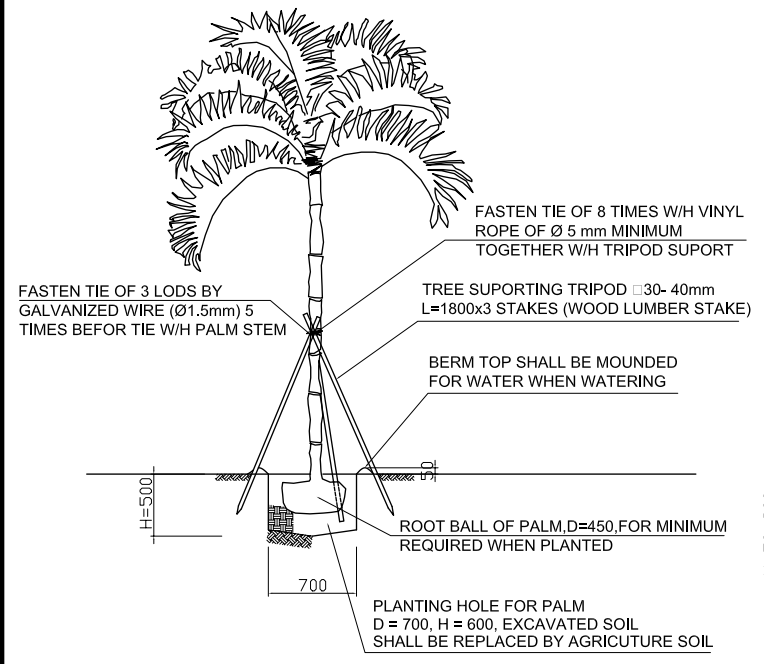
BERM TOP SHALL BE MOUNDED FOR WATER RETAIN WHEN WATERING



ROOT BALL OF TREE D=400, H=350 FOR MINIMUM REQUIRED WHEN PLANTED

PLANTING HOLE FOR TREE D=700, H=600 EXCAVATED SOIL SHALL BE REPLACED BY AGRICULTURE SOIL

ARECA PALM PLANTING S : 1/30



FASTEN TIE OF 8 TIMES WITH VINYL ROPE OF Ø 5 mm MINIMUM TOGETHER WITH TRIPOD SUPPORT

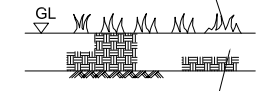
TREE SUPPORTING TRIPOD □ 30-40mm L=1800x3 STAKES (WOOD LUMBER STAKE)

BERM TOP SHALL BE MOUNDED FOR WATER WHEN WATERING

ROOT BALL OF PALM, D=450, FOR MINIMUM REQUIRED WHEN PLANTED

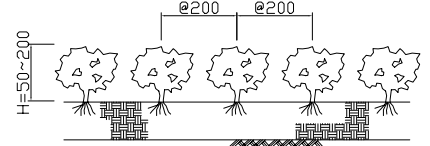
PLANTING HOLE FOR PALM D = 700, H = 600, EXCAVATED SOIL SHALL BE REPLACED BY AGRICULTURE SOIL

SPRIGS OF LIVING GRASS PLANT SPECIES SHALL BE AXONOPUS SP.



100 THK FOR REPLACEMENT BY AGRICULTURE SOIL AFTER REMOVALS OF EXISTING SOIL SURFACE

GROUND COVER PLANT SPECIES SHALL BE SPECIFIED IN THE PLANTING LIST AVERAGE PLANTING NOS 25NOS/m²



NO.	DATE	DESCRIPTIONS	BY	APRO.
REVISIONS				

PROJECT MANAGEMENT UNIT FOR
HO CHI MINH CITY
WATER ENVIRONMENT IMPROVEMENT

THE DETAILED DESIGN STUDY ON HO CHI MINH CITY
WATER ENVIRONMENT IMPROVEMENT PROJECT
IN THE SOCIALIST REPUBLIC OF VIET NAM

PACKAGE C
INTERMEDIATE WASTEWATER PUMPING STATION
LANDSCAPE

SCALE : 1/250, 1/10, 1/30

JICA JAPAN INTERNATIONAL COOPERATION AGENCY (JICA)

PACIFIC CONSULTANTS INTERNATIONAL

DESIGNED
KIMURA TORU

CHECKED
KONDO MASAMI

DATE : JUNE 2001 DWG. No. PC - IWPS - 339

