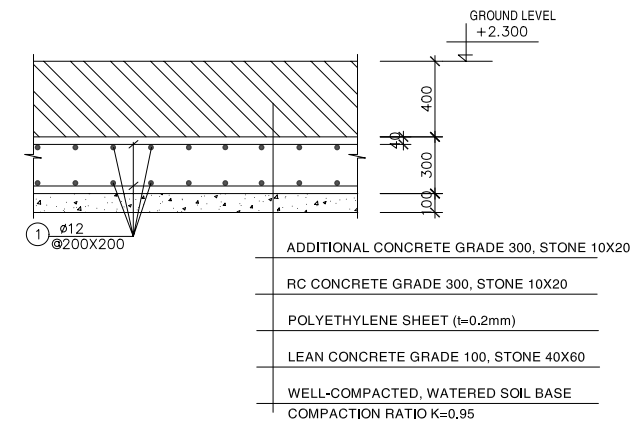
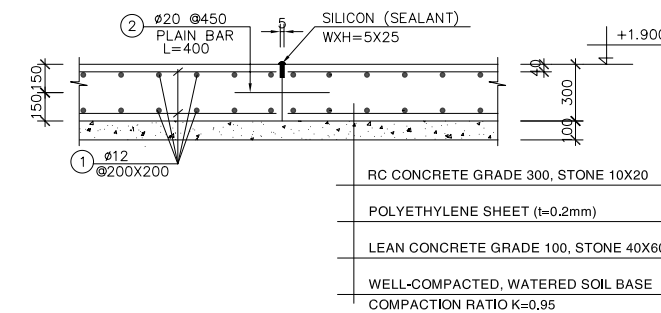


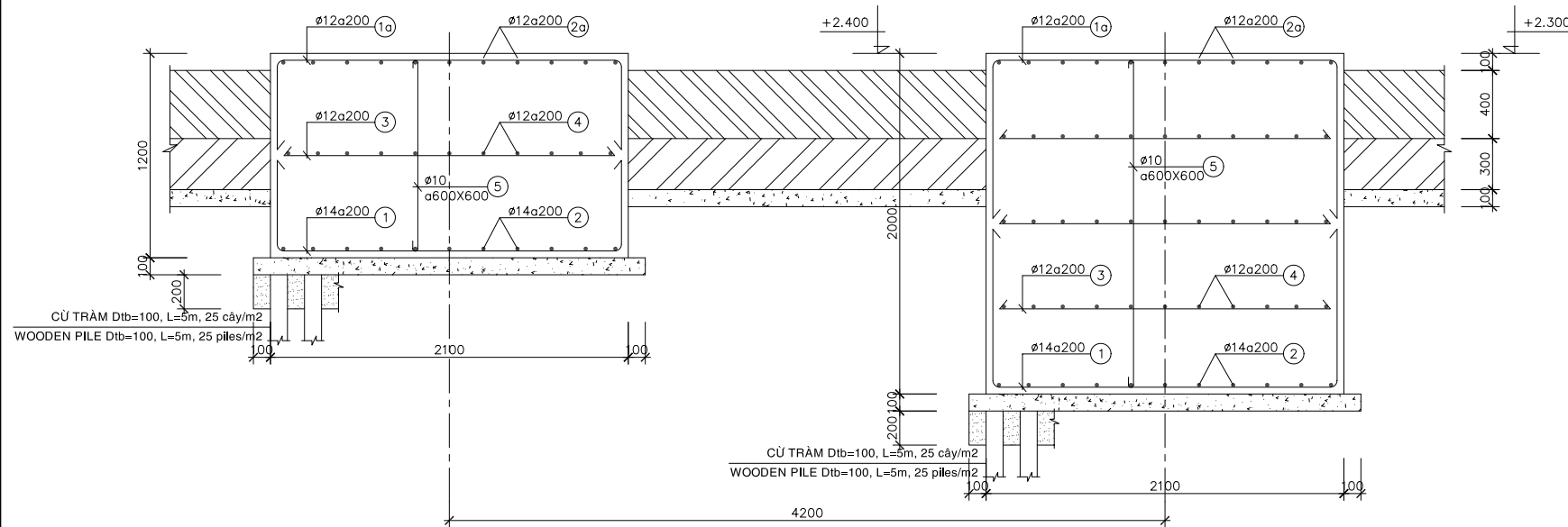
MẶT BẰNG MÓNG MÁY
PLAN OF MACHINE FOUNDATIONS



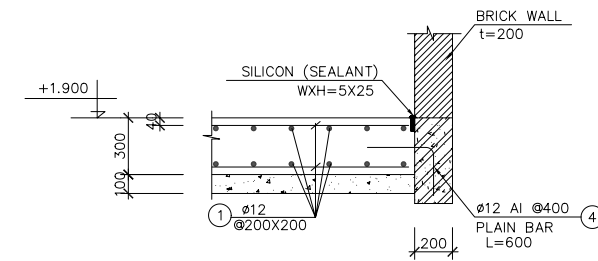
CHI TIẾT NỀN ĐIỂN HÌNH
DETAIL OF GROUND FLOOR SLAB



CHI TIẾT KHE NỐI
CONNECTING JOINT SECTION



MẶT CẮT A-A
SECTION A-A



CHI TIẾT LIÊN KẾT ĐÀ KIỀNG - SÀN NỀN
CONNECTING OF G-BEAM - GROUND FLOOR SLAB

GHI CHÚ:
- BÊ TÔNG LỚT ĐÁ 40X60, MÁC 100
- BÊ TÔNG ĐÁ 10X20, MÁC 300
- CỐT THÉP Ra=2000 Kg/cm²

NOTE :
- LEAN CONCRETE STONE 40x60, GRADE 100
- CONCRETE STONE 10x20, GRADE 300
- REINFORCEMENT Ra=2000 Kg/cm²

NO.	DATE	DESCRIPTIONS	BY	APRO.

REVISIONS

PROJECT MANAGEMENT UNIT FOR
HO CHI MINH CITY
WATER ENVIRONMENT IMPROVEMENT

THE DETAILED DESIGN STUDY ON HO CHI MINH CITY
WATER ENVIRONMENT IMPROVEMENT PROJECT
IN THE SOCIALIST REPUBLIC OF VIET NAM

PACKAGE C
INTERMEDIATE WASTEWATER PUMPING STATION

GENERATOR BUILDING
PLAN & SECTION OF GROUND FLOOR
SLAB & GENERATOR FOUNDATIONS

SCALE : N.T.S.

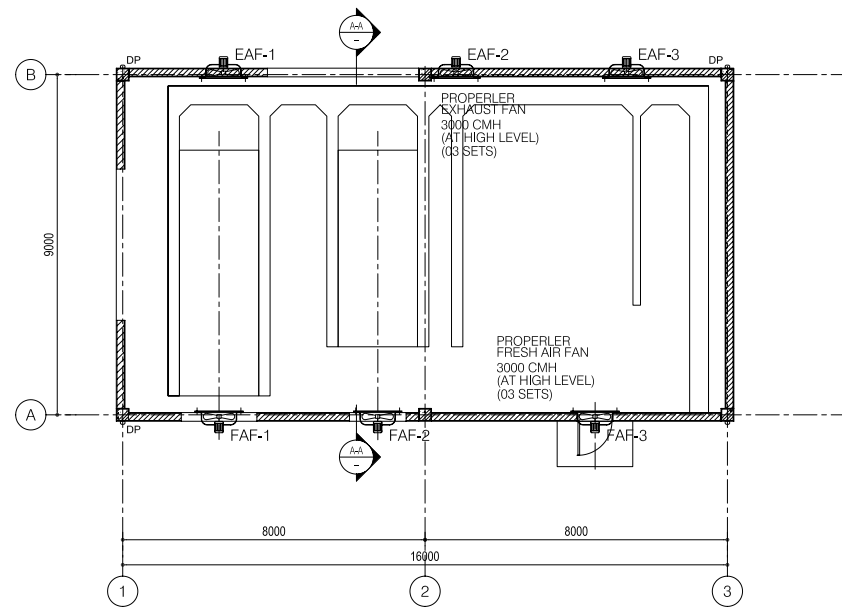
JICA JAPAN INTERNATIONAL COOPERATION
AGENCY (JICA)

PACIFIC CONSULTANTS INTERNATIONAL

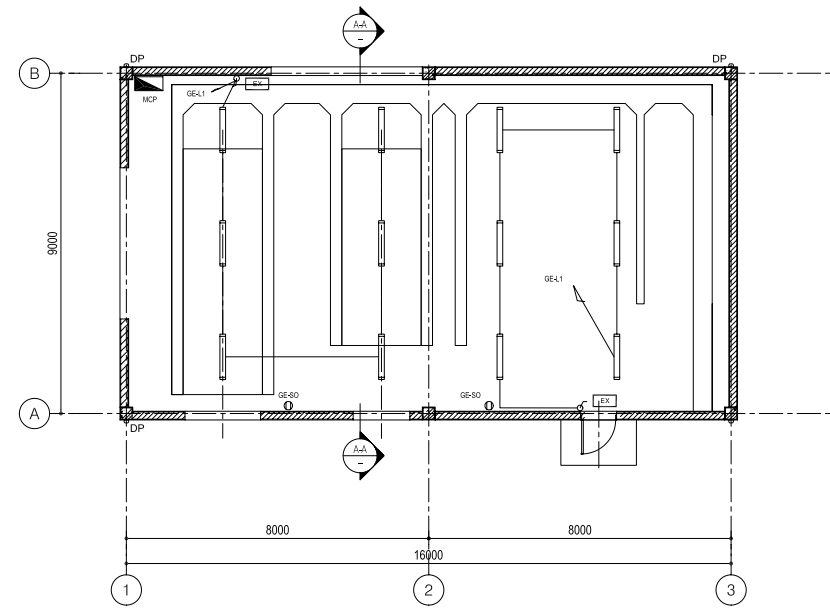
DESIGNED
KIMURA TORU

CHECKED
KONDO MASAMI

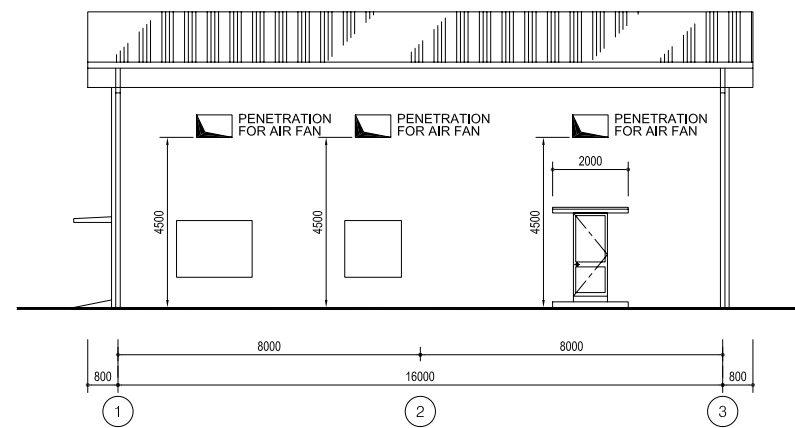
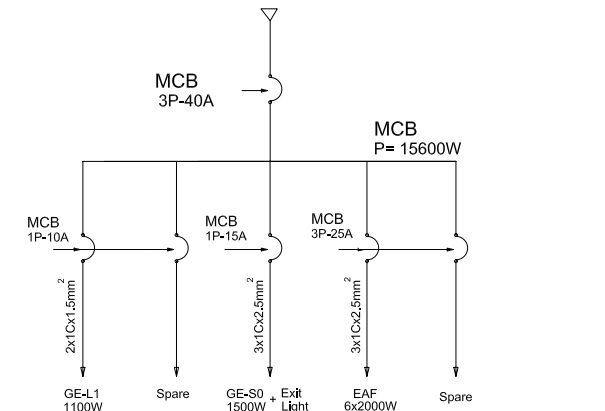
DATE : JUNE 2001 DWG. No. PC-IWPS-334



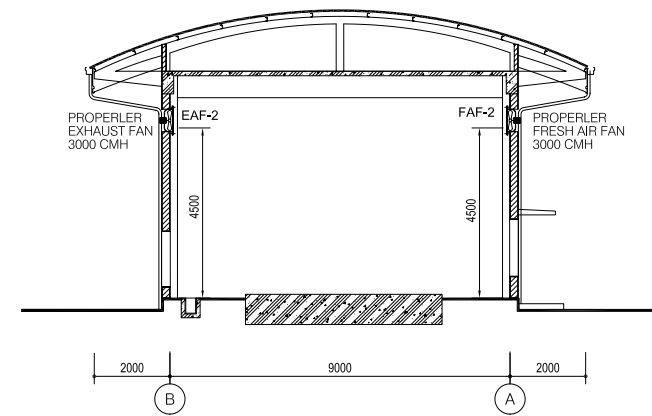
FIRST FLOOR PLAN



- LEGEND**
- ⊗ 400W HIGH PRESSURE SODIUM INDUSTRIAL HIGH BAY LUMINAIRE
 - ▨ 2x36W RECESSED FLOURESCENT.
 - ▬ 2x36W FLOURESCENT BATTEN (CEILING OR WALL MOUNTED)
 - ⊙ 1x40W DOWNLIGHT(In WC)
 - 100W OUTDOOR LUMINAIRE, IP 56
 - ✦ 1x40W DOWNLIGHT(In WC)
 - ▬ 1x18W FLOURESCENT BATTEN , IP65
 - ▬ 2x36W FLOURESCENT BATTEN , IP65
 - EX 2x10W NON- MAINTAINED EXIT LIGHT
 - 16A DUPLEX SOCKET OUTLET
 - /A/C 16A DUPLEX SOCKET OUTLET FOR A/C UNIT
 - ⚡ 1 WAY SINGLE SWITCH
 - ▭ DISTRIBUTION BOARD
 - ⊙ FIRE EXTINGUISHER



ELEVATION LINE A



CROSS SECTION A-A

NO.	DATE	DESCRIPTIONS	BY	APRO.
-----	------	--------------	----	-------

REVISIONS

PROJECT MANAGEMENT UNIT FOR
HO CHI MINH CITY
WATER ENVIRONMENT IMPROVEMENT

THE DETAILED DESIGN STUDY ON HO CHI MINH CITY
WATER ENVIRONMENT IMPROVEMENT PROJECT
IN THE SOCIALIST REPUBLIC OF VIET NAM

PACKAGE B
INTERMEDIATE WASTEWATER PUMPING STATION
**GENERATOR BUILDING
PLAN AND SINGLE LINE DIAGRAM
OF ELECTRICAL WORKS
(LIGHTING AND VENTILATION)**

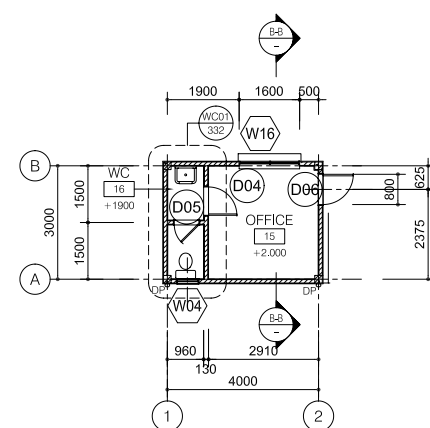
SCALE : 1/100

JICA JAPAN INTERNATIONAL COOPERATION AGENCY (JICA)

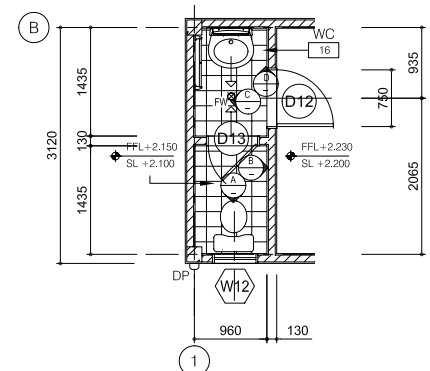
PACIFIC CONSULTANTS INTERNATIONAL

DESIGNED KIMURA TORU	CHECKED KONDO MASAMI
-------------------------	-------------------------

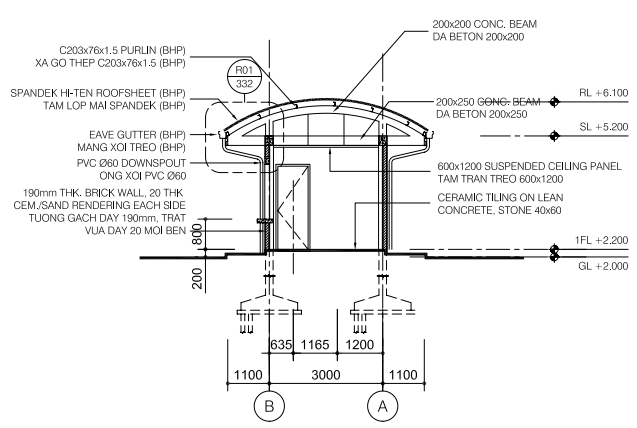
DATE : JUNE 2001 DWG. No. PC-IWPS-335



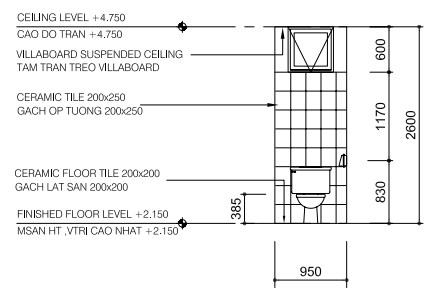
FLOOR PLAN



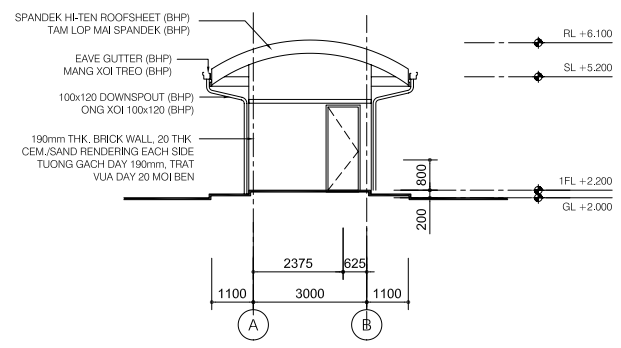
FLOOR PLAN - WC



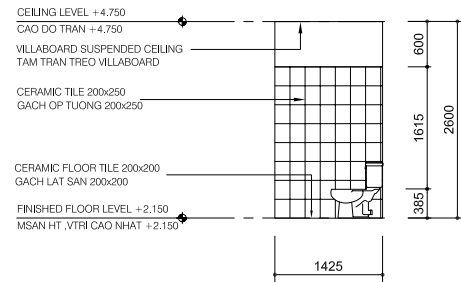
CROSS SECTION B - B



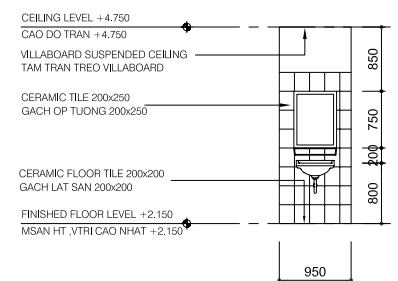
ELEVATION A



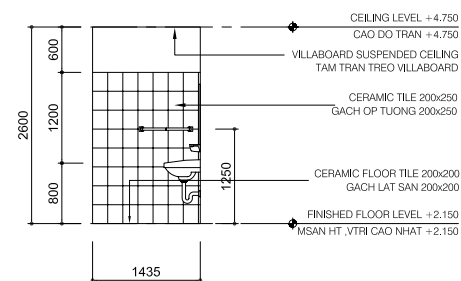
ELEVATION 2



ELEVATION B

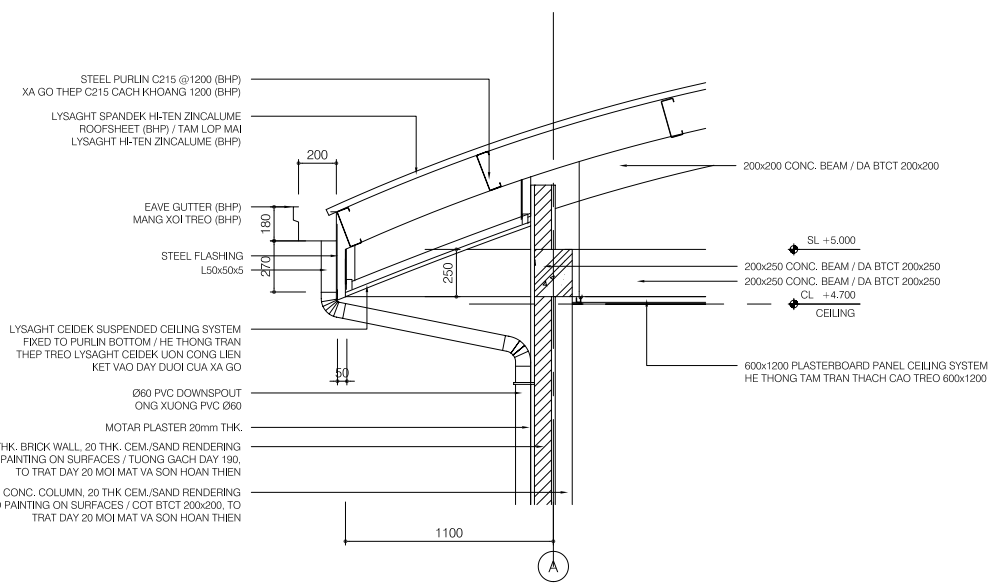


ELEVATION C



ELEVATION D

SECTION DETAIL - R01



LEGEND

	190mm THK. BRICK WALL, 20THK CEM./SAND RENDERING ON SURFACE / TUONG GACH DAY 190mm, TRAT VUA DAY 20 MOI MAT
	90mm THK. BRICK WALL, 20THK CEM./SAND RENDERING ON SURFACE / TUONG GACH DAY 90mm, TRAT VUA DAY 20 MOI MAT

NO.	DATE	DESCRIPTIONS	BY	APRO.

REVISIONS

PROJECT MANAGEMENT UNIT FOR
HO CHI MINH CITY
WATER ENVIRONMENT IMPROVEMENT

THE DETAILED DESIGN STUDY ON HO CHI MINH CITY
WATER ENVIRONMENT IMPROVEMENT PROJECT
IN THE SOCIALIST REPUBLIC OF VIET NAM

PACKAGE C
INTERMEDIATE WASTEWATER PUMPING STATION
**GUARD HOUSE
PLAN, SECTIONS, ELEVATIONS
AND DETAILS**

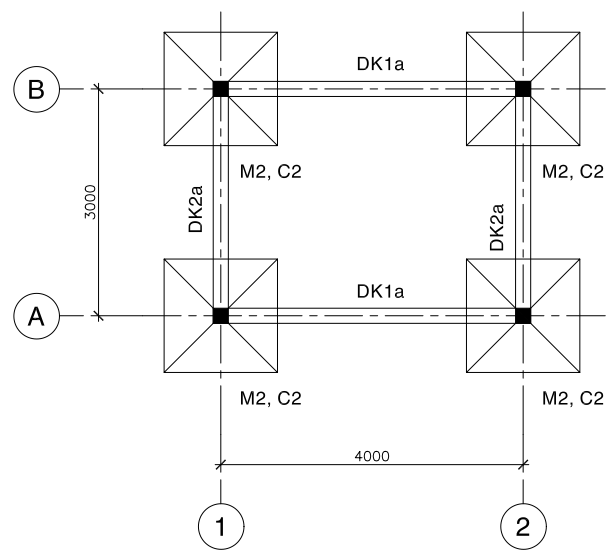
SCALE : 1/100, 1/50, 1/20

JICA JAPAN INTERNATIONAL COOPERATION AGENCY (JICA)

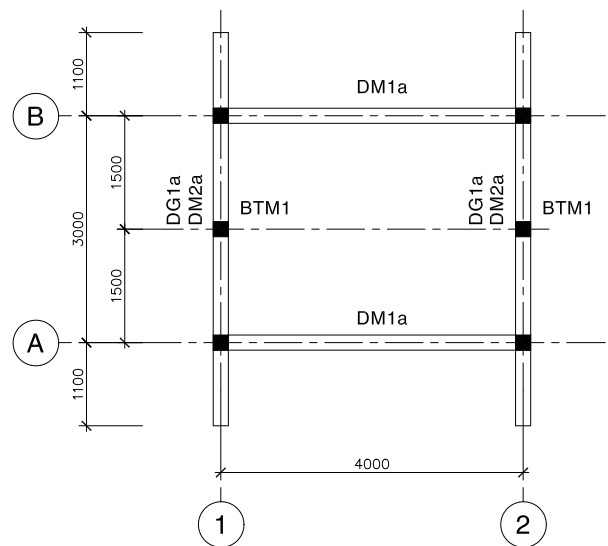
PACIFIC CONSULTANTS INTERNATIONAL

DESIGNED KIMURA TORU	CHECKED KONDO MASAMI
-------------------------	-------------------------

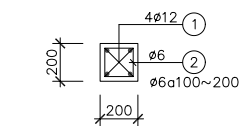
DATE : JUNE 2001 DWG. No. PC - IWPS - 336



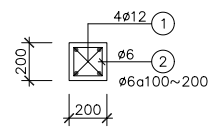
MẶT BẰNG MÓNG, CỘT & ĐÀ KIỀNG
PLAN OF FOUNDATION, COLUMN & G-BEAM
 SCALE : 1/50



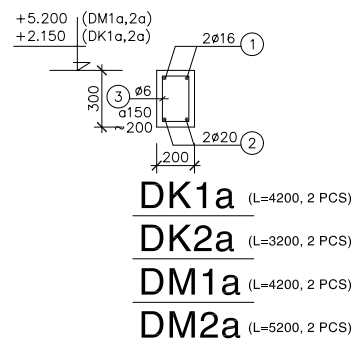
MẶT BẰNG DẦM MÁI
PLAN OF ROOF BEAMS
 SCALE : 1/50



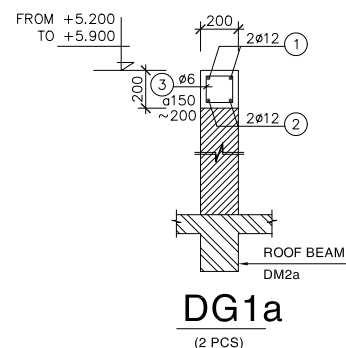
COLUMN C2
 (FROM +2.150~+5.200, 4 PCS)
 SCALE : 1/20



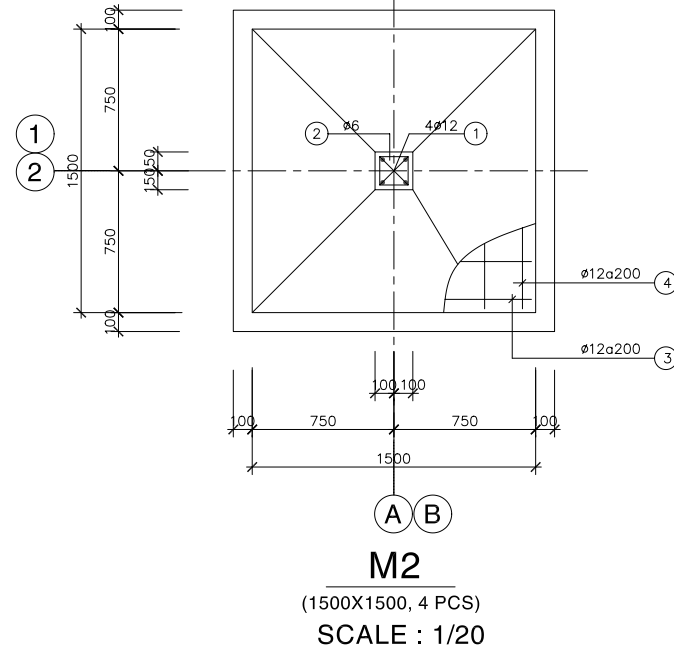
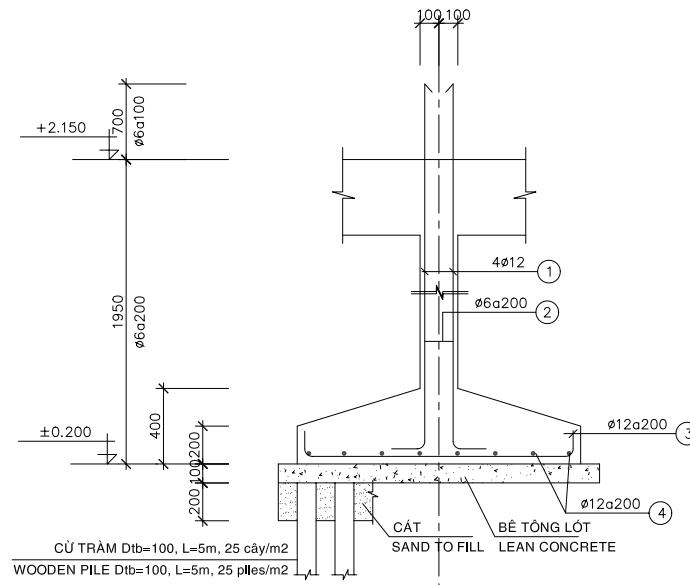
SUB-COLUMN BTM1
 (FROM +5.200~+5.900, 2 PCS)
 SCALE : 1/20



DK1a (L=4200, 2 PCS)
DK2a (L=3200, 2 PCS)
DM1a (L=4200, 2 PCS)
DM2a (L=5200, 2 PCS)



DG1a
 (2 PCS)



M2
 (1500X1500, 4 PCS)
 SCALE : 1/20

GHI CHÚ:
 - BÊ TÔNG LÓT ĐÁ 40x60, MÁC 100
 - BÊ TÔNG ĐÁ 10x20, MÁC 300
 - CỐT THÉP Ra=2000 Kg/cm2

NOTE :
 - LEAN CONCRETE STONE 40x60, GRADE 100
 - CONCRETE STONE 10x20, GRADE 300
 - REINFORCEMENT Ra=2000 Kg/cm2

NO.	DATE	DESCRIPTIONS	BY	APRO.

REVISIONS

PROJECT MANAGEMENT UNIT FOR
 HO CHI MINH CITY
 WATER ENVIRONMENT IMPROVEMENT

THE DETAILED DESIGN STUDY ON HO CHI MINH CITY
 WATER ENVIRONMENT IMPROVEMENT PROJECT
 IN THE SOCIALIST REPUBLIC OF VIET NAM

PACKAGE C
 INTERMEDIATE WASTEWATER PUMPING STATION
 GUARD HOUSE
 PLAN & DETAILS OF FOUNDATIONS,
 COLUMNS, G-BEAMS & ROOF BEAMS

SCALE : 1/50, 1/20

JICA JAPAN INTERNATIONAL COOPERATION
 AGENCY (JICA)

PACIFIC CONSULTANTS INTERNATIONAL

DESIGNED
 KIMURA TORU

CHECKED
 KONDO MASAMI

DATE : JUNE 2001

DWG. No. PC - IWPS - 337