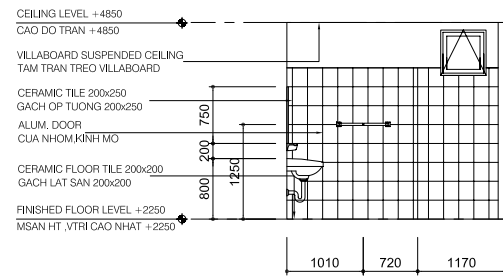
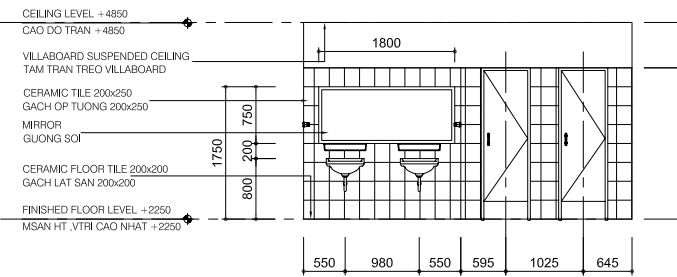


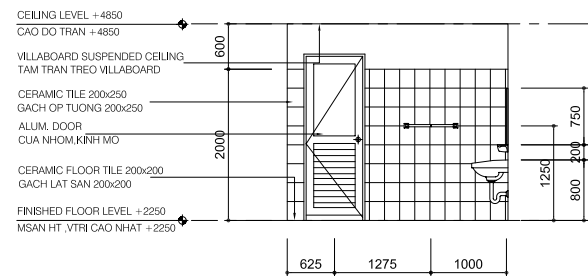
FLOOR PLAN - WC01
SCALE : 1/50



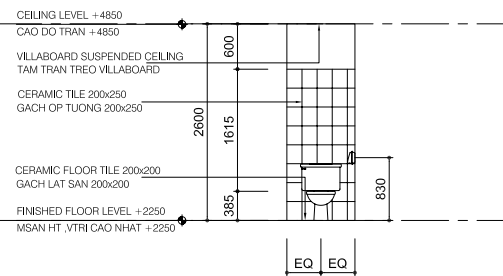
ELEVATION A
SCALE : 1/50



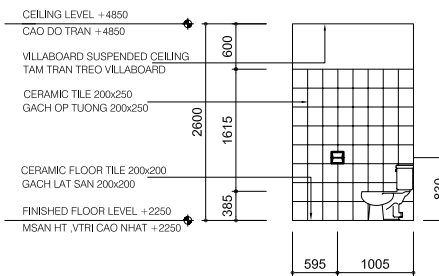
ELEVATION B
SCALE : 1/50



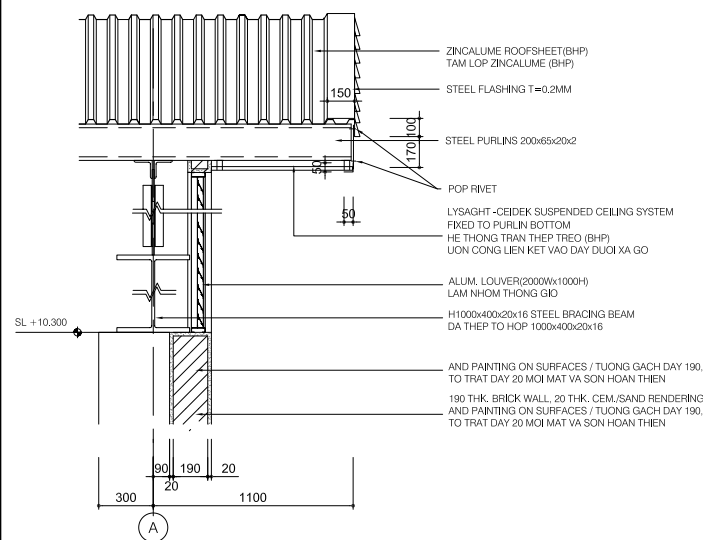
ELEVATION C
SCALE : 1/50



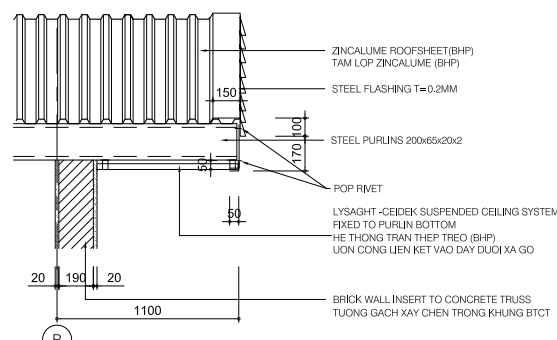
ELEVATION D
SCALE : 1/50



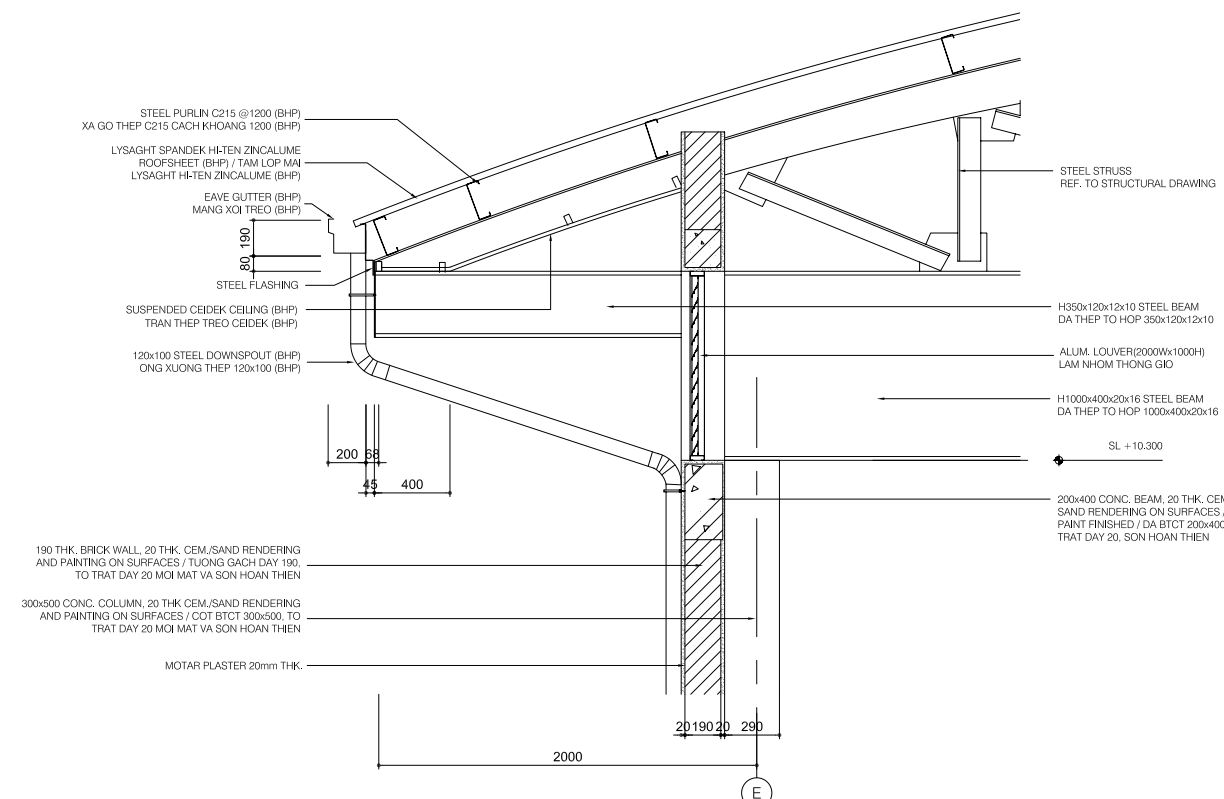
ELEVATION E
SCALE : 1/50



SECTION DETAIL-R03
SCALE : 1/20



SECTION DETAIL-R02
SCALE : 1/20



SECTION DETAIL-R01
SCALE : 1/20

| NO. | DATE | DESCRIPTIONS | BY | APPRO. |
|--|------|-------------------------|----|--------|
| REVISIONS | | | | |
| PROJECT MANAGEMENT UNIT FOR HO CHI MINH CITY WATER ENVIRONMENT IMPROVEMENT | | | | |
| THE DETAILED DESIGN STUDY ON HO CHI MINH CITY WATER ENVIRONMENT IMPROVEMENT PROJECT IN THE SOCIALIST REPUBLIC OF VIET NAM | | | | |
| PACKAGE C INTERMEDIATE WASTEWATER PUMPING STATION PUMP HOUSE AND O/M OFFICE DETAILS OF FLOOR PLAN, SECTIONS AND ELEVATIONS | | | | |
| SCALE : 1/20, 1/50 | | | | |
| JAPAN INTERNATIONAL COOPERATION AGENCY (JICA) | | | | |
| PACIFIC CONSULTANTS INTERNATIONAL | | | | |
| DESIGNED KIMURA TORU | | CHECKED KONDO MASAMI | | |
| DATE : JUNE 2001 | | DWG. No. PC-IWPS-311 | | |

LINTEL SCHEDULE

NOTES : THIS SCHEDULE IS USED FOR ALL ITEMS IN PACKAGE C, UNLESS OTHERWISE ASSERTED

| MARKS | SIZE (IN / IN) | | SECTION | | LENGTH | QUANTITY | LEVEL |
|-------|----------------|--------|--------------|--------------|--------|----------|-------|
| | WIDTH | HEIGHT | WALL 200THK. | WALL 100THK. | | | |
| D01 | 3000 | 2500 | | | 3600 | 01 | +2500 |
| D02 | 1600 | 2200 | | | 2000 | 03 | +2200 |
| D03 | 800 | 2200 | | | 1200 | 03 | +2200 |
| D04 | 750 | 2200 | | | 1150 | 01 | +2200 |
| D05 | 650 | 2000 | | | 1050 | 01 | +2000 |
| D06 | 800 | 1100 | | | 1200 | 01 | +1100 |
| D07 | 900 | 2200 | | | 1300 | 02 | +2200 |
| D08 | 1200 | 2200 | | | 1600 | 01 | +2200 |
| D09 | 1800 | 2200 | | | 2200 | 01 | +2200 |

| MARKS | SIZE (IN / IN) | | SECTION | | LENGTH | QUANTITY | LEVEL |
|-------|----------------|--------|--------------|--------------|--------|----------|-------|
| | WIDTH | HEIGHT | WALL 200THK. | WALL 100THK. | | | |
| D10 | 4000 | 4000 | | | 4600 | 01 | +4000 |
| D11 | 4000 | 2000 | | | 4600 | 01 | +2000 |
| W01 | 2400 | 1300 | | | 2800 | 03 | +2500 |
| W02 | 1200 | 600 | | | 1600 | 01 | +2500 |
| W03 | 2400 | 1300 | | | 2800 | 04 | +2500 |
| W04 | 600 | 600 | | | 1000 | 02 | +2500 |
| L01 | 2000 | 1000 | | | 2400 | 19 | +2500 |
| L02 | 3600 | 1500 | | | 4200 | 01 | +4100 |

| NO. | DATE | DESCRIPTIONS | BY | APRO. |
|-----|------|--------------|----|-------|
| | | | | |
| | | | | |
| | | | | |

REVISIONS

PROJECT MANAGEMENT UNIT FOR
HO CHI MINH CITY
WATER ENVIRONMENT IMPROVEMENT

THE DETAILED DESIGN STUDY ON HO CHI MINH CITY
WATER ENVIRONMENT IMPROVEMENT PROJECT
IN THE SOCIALIST REPUBLIC OF VIET NAM

PACKAGE C
INTERMEDIATE WASTEWATER PUMPING STATION

PUMP HOUSE AND O/M OFFICE
LINTEL SCHEDULE

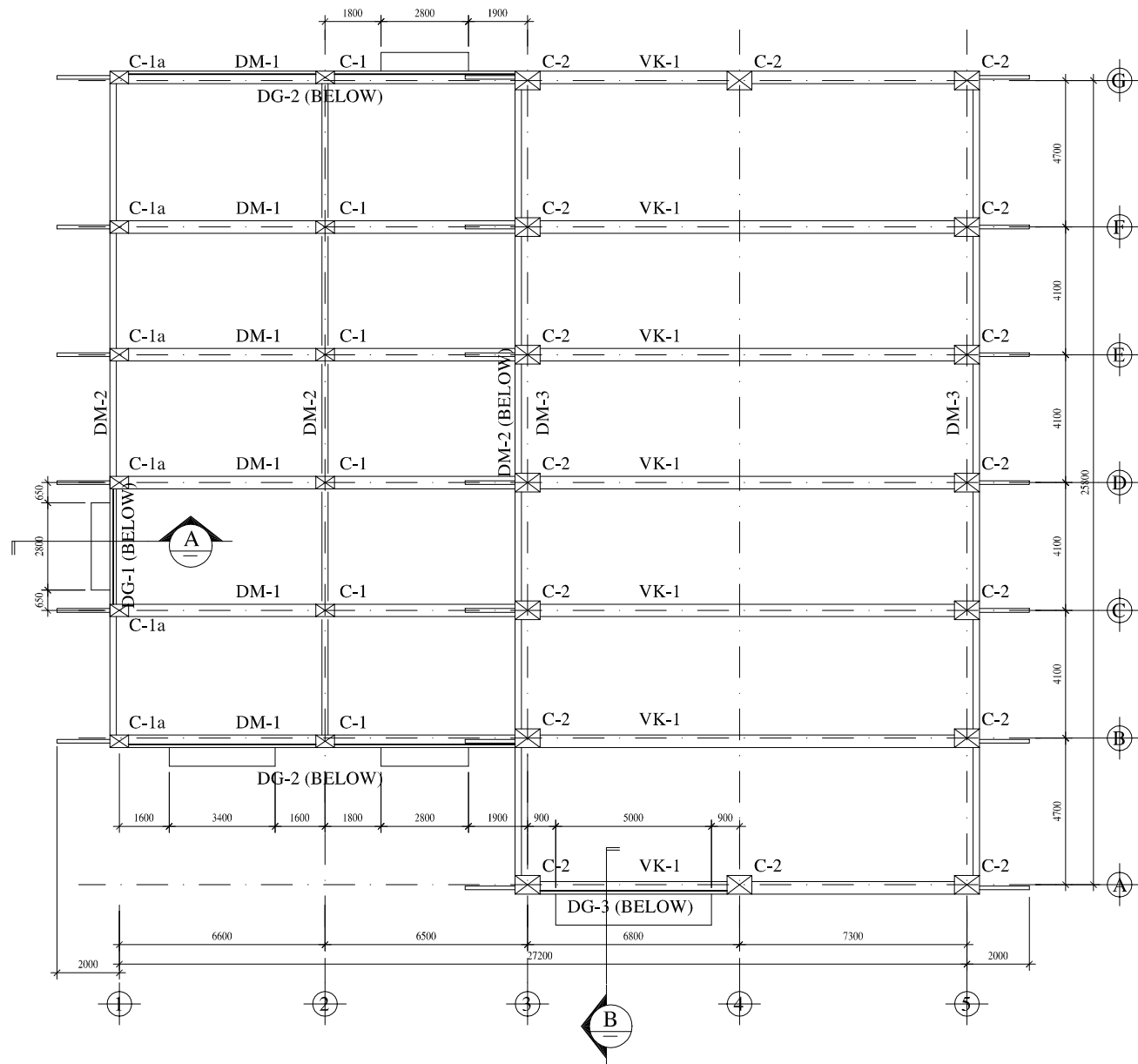
SCALE : N.T.S

JAPAN INTERNATIONAL COOPERATION
AGENCY (JICA)

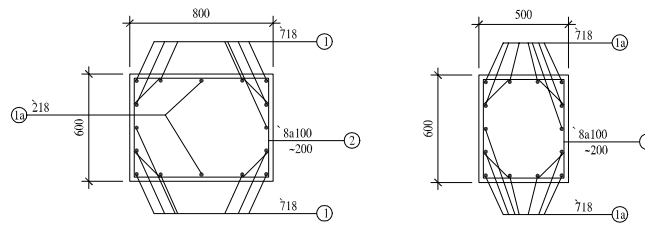
PACIFIC CONSULTANTS INTERNATIONAL

| | |
|-------------------------|-------------------------|
| DESIGNED KIMURA TORU | CHECKED KONDO MASAMI |
|-------------------------|-------------------------|

DATE : JUNE 2001 DWG. No. PC-IWPS - 312

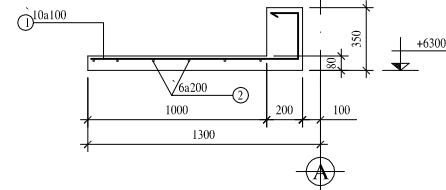


MẶT BẰNG CỘT & DÀM CAO ĐỘ +7100 & +10500
PLAN OF COLUMNS & BEAMS AT LEVEL +7100 & +10500

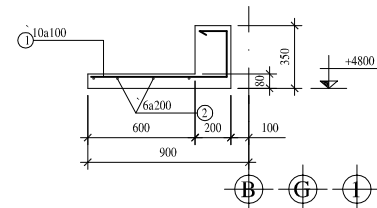


1-1

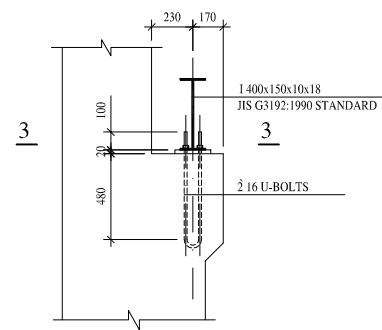
2-2



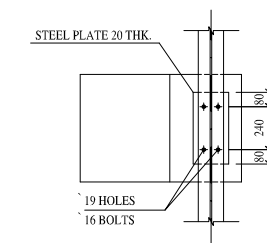
MẶT CẮT SECTION



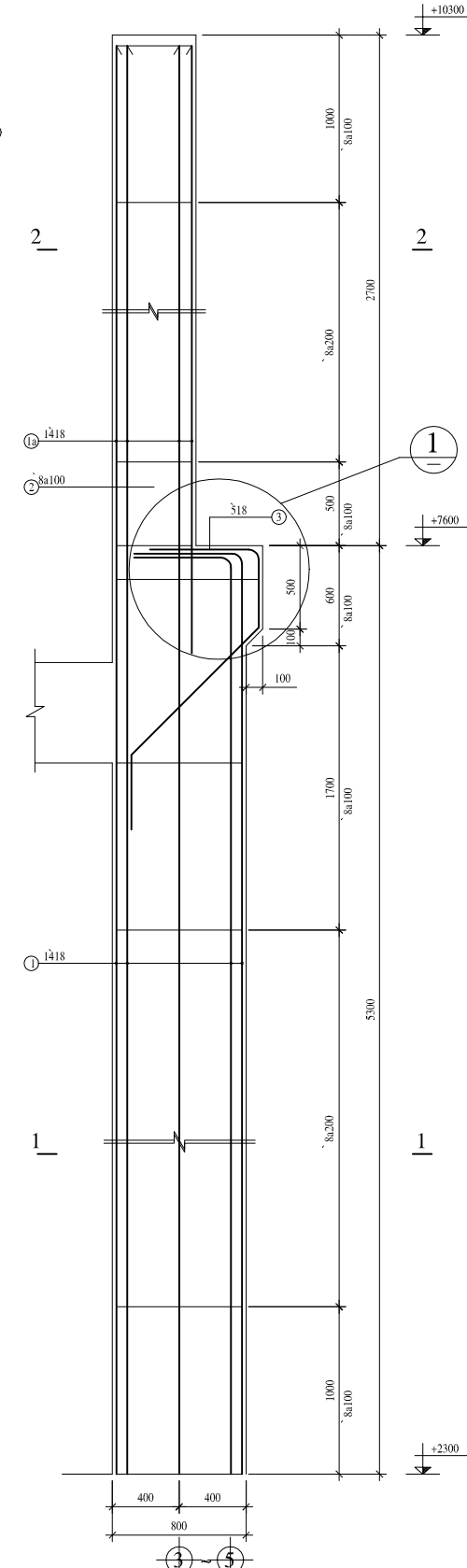
MẶT CẮT SECTION



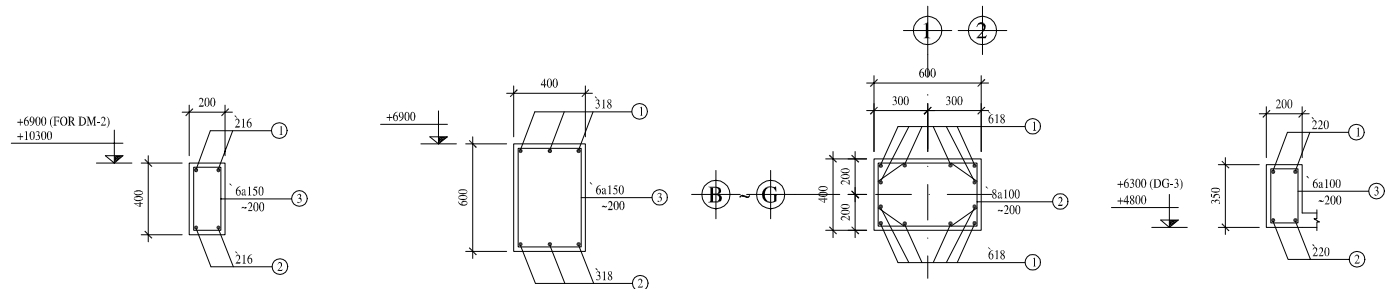
CHI TIẾT DETAIL



3-3



C-2
(16 PCS)



DM-2 (200x400)
(3 PCS, L=21700)

DM-1 (400x600)
(6 PCS, L=13900)

C-1 (400x600)
(6 PCS, +2300~+6900)

DG-1 (200x350)
(1 PCS, L=4500)

DM-3 (200x400)
(2 PCS, L=26400)

C-1a (400x600)
(6 PCS, +2300~+7380)

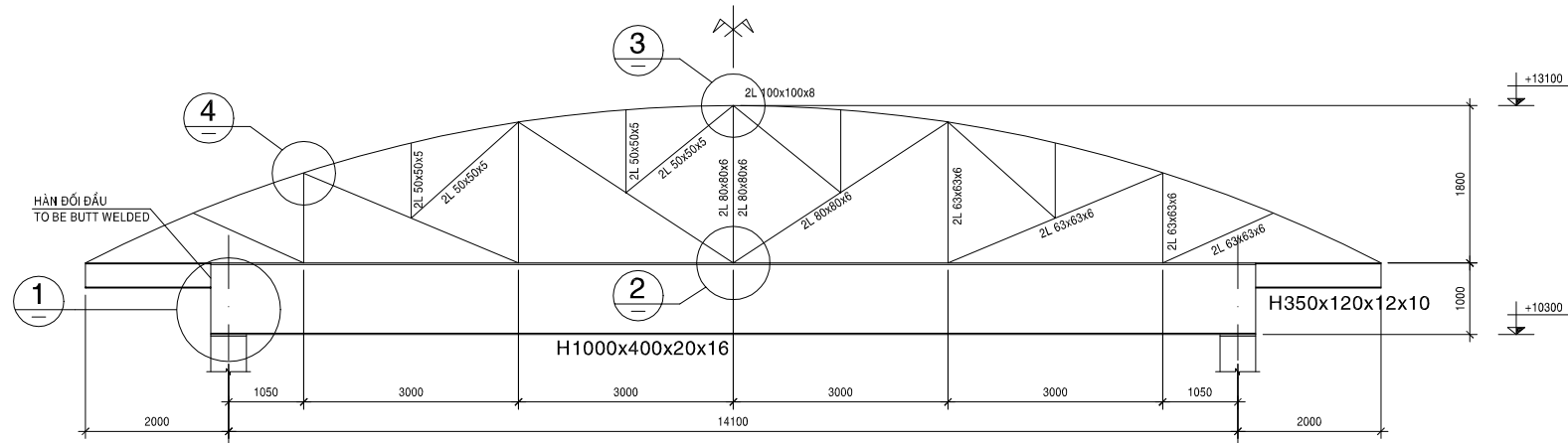
DG-2 (200x350)
(2 PCS, L=13800)

DG-3 (200x350)
(1 PCS, L=7600)

GHI CHÚ :
 BÊ TÔNG MÁC 300, ĐÁ 10x20
 CỐT THÉP : <10 AI Ra=2300 KG/cm²
 10ø<16 AIII Ra=2800 KG/cm²
 >=16 AIII Ra=3600 KG/cm²

NOTES :
 CONCRETE GRADE 300, STONE 10x20
 REINFORCEMENT : <10 AI Ra=2300 KG/cm²
 10ø<16 AIII Ra=2800 KG/cm²
 >=16 AIII Ra=3600 KG/cm²

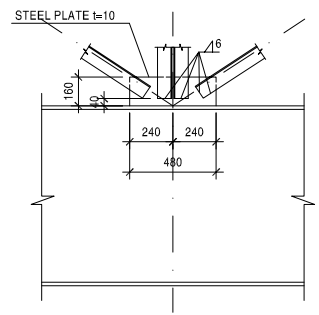
| NO. | DATE | DESCRIPTIONS | BY | APPRO. |
|---|------|-------------------------|----|--------|
| REVISIONS | | | | |
| PROJECT MANAGEMENT UNIT FOR HO CHI MINH CITY WATER ENVIRONMENT IMPROVEMENT | | | | |
| THE DETAILED DESIGN STUDY ON HO CHI MINH CITY WATER ENVIRONMENT IMPROVEMENT PROJECT IN THE SOCIALIST REPUBLIC OF VIET NAM | | | | |
| PACKAGE C INTERMEDIATE WASTEWATER PUMPING STATION PUMP HOUSE AND O/M OFFICE PLAN & DETAILS OF COLUMNS & ROOF BEAMS | | | | |
| SCALE : N.T.S | | | | |
| JAPAN INTERNATIONAL COOPERATION AGENCY (JICA) | | | | |
| PACIFIC CONSULTANTS INTERNATIONAL | | | | |
| DESIGNED KIMURA TORU | | CHECKED KONDO MASAMI | | |
| DATE : JUNE 2001 | | DWG. No. PC-IWPS-313 | | |



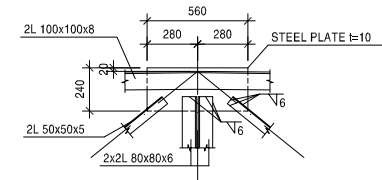
GHI CHÚ :
 BÊ TÔNG MÁC 300, ĐÁ 10x20
 CỐT THÉP : <10 A I Ra=2300 kG/cm²
 10<=<16 A II Ra=2800 kG/cm²
 >=16 A III Ra=3600 kG/cm²
 KẾT CẤU THÉP CT3, Ra=2100 kG/cm²
 BU LÔNG 5.6, Rc=1900 kG/cm², Rk=2100 kG/cm²
 QUE HÀN E42, CƯỜNG ĐỘ ĐƯỜNG HÀN GÓC Rh=1500 kG/cm²

NOTES :
 CONCRETE GRADE 300, STONE 10x20
 REINFORCEMENT : <10 A I Ra=2300 kG/cm²
 10<=<16 A II Ra=2800 kG/cm²
 >=16 A III Ra=3600 kG/cm²
 STRUCTURAL STEEL CT3, Ra=2100 kG/cm²
 BOLT TYPE 5.6, Rc=1900 kG/cm², Rk=2100 kG/cm²
 WELDING ROD TYPE E42, WELD DESIGN STRENGTH Rh=1500 kG/cm²

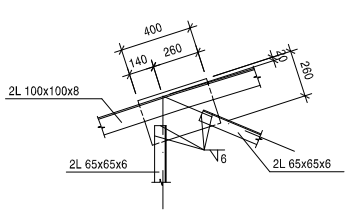
VK-1
(7 PCS)



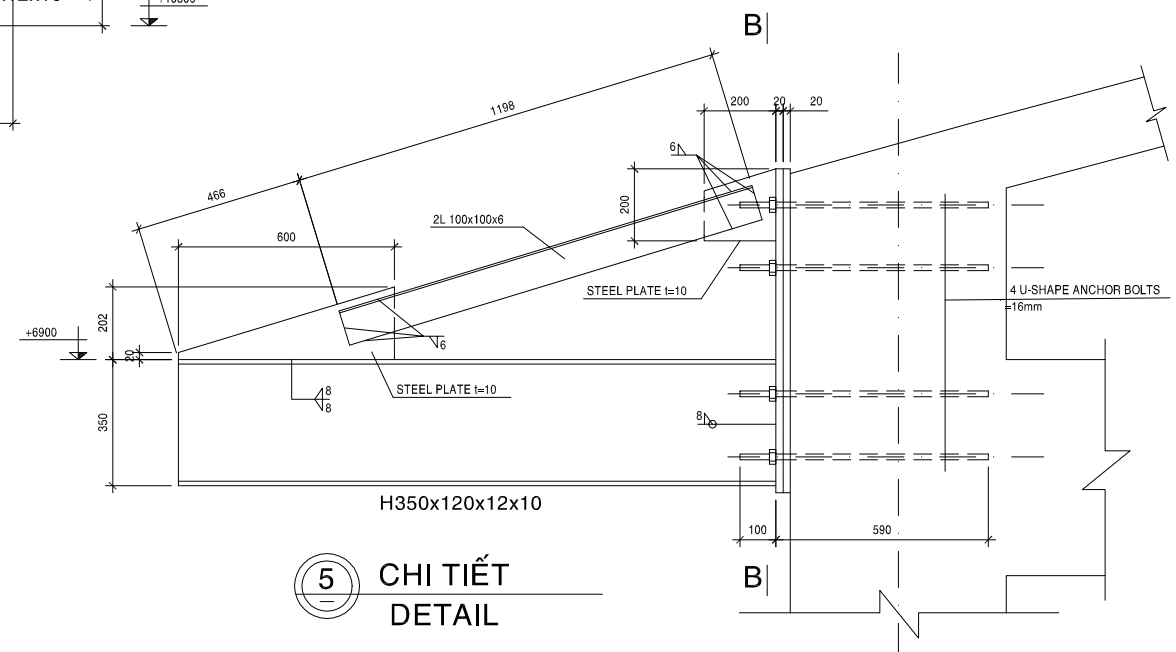
2 CHI TIẾT
DETAIL



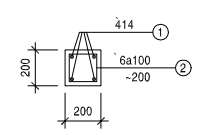
3 CHI TIẾT
DETAIL



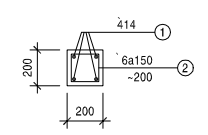
4 CHI TIẾT
DETAIL



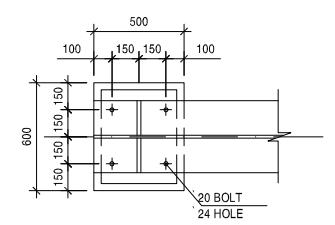
5 CHI TIẾT
DETAIL



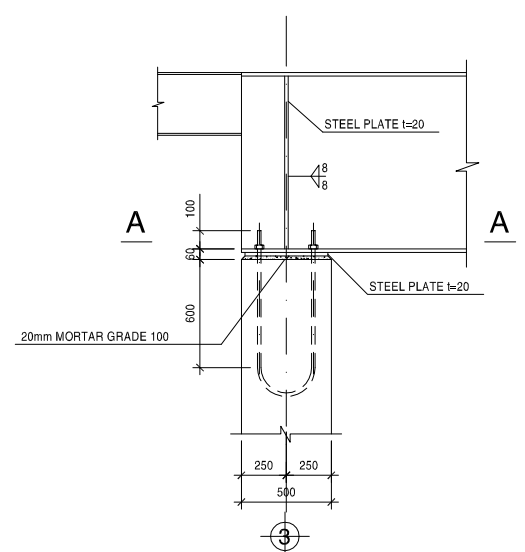
BTM (200x200)
(18 PCS)



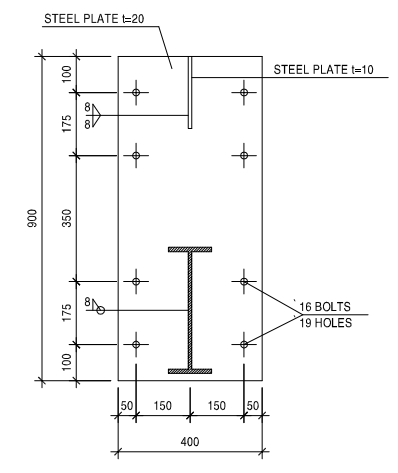
DG (200x200)
(6 PCS)



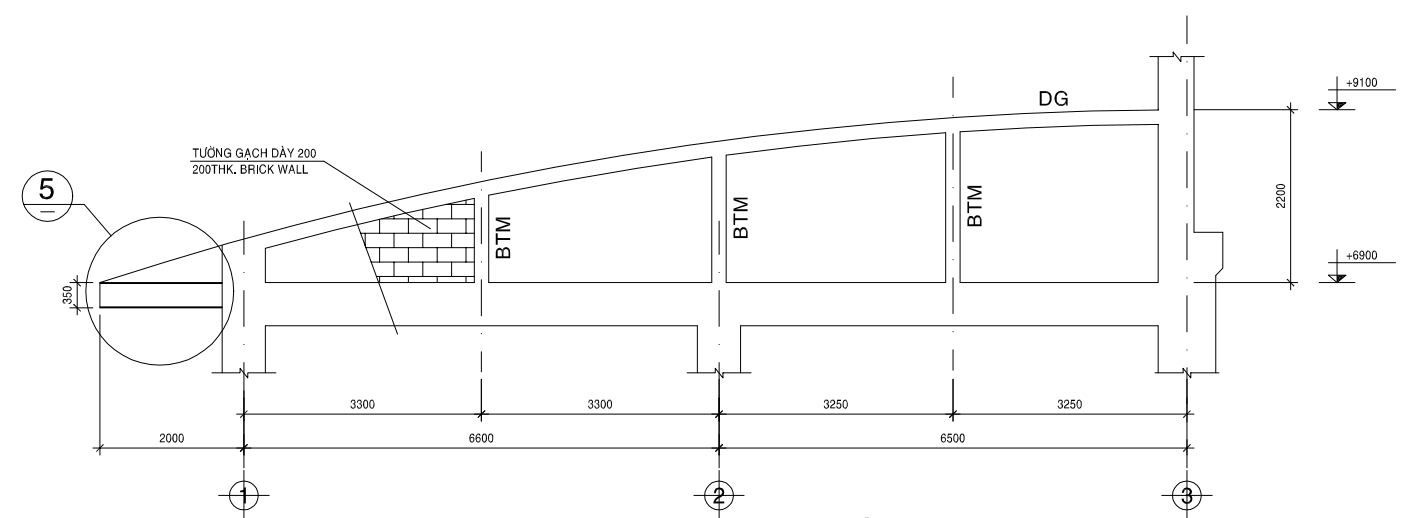
A-A



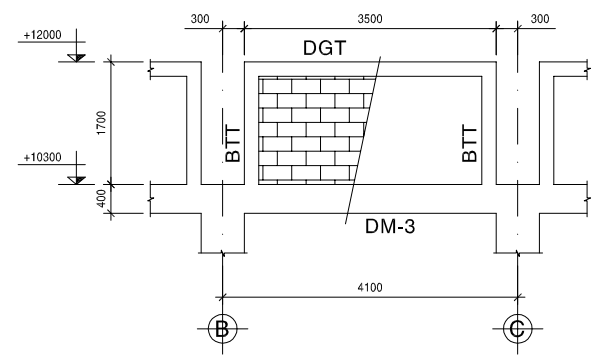
1 CHI TIẾT
DETAIL



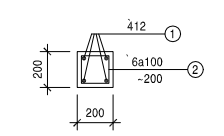
B-B



CHI TIẾT TƯỜNG XÂY HỒI
ROOF WALL DETAIL



CHI TIẾT TƯỜNG HỒI TRỤC 3 & 5
DETAIL OF ROOF WALL AT GRID 3 & 5



BTT (200x200)
(24 PCS, +10300~+12000)

DGT (200x200)
(12 PCS, L=3500)

| NO. | DATE | DESCRIPTIONS | BY | APRO. |
|---|------|-------------------------|----|-------|
| REVISIONS | | | | |
| PROJECT MANAGEMENT UNIT FOR HO CHI MINH CITY WATER ENVIRONMENT IMPROVEMENT | | | | |
| THE DETAILED DESIGN STUDY ON HO CHI MINH CITY WATER ENVIRONMENT IMPROVEMENT PROJECT IN THE SOCIALIST REPUBLIC OF VIET NAM | | | | |
| PACKAGE C INTERMEDIATE WASTEWATER PUMPING STATION PUMP HOUSE AND O/M OFFICE DETAIL OF ROOF WALL & TRUSS | | | | |
| SCALE : N.T.S | | | | |
| JAPAN INTERNATIONAL COOPERATION AGENCY (JICA) | | | | |
| PACIFIC CONSULTANTS INTERNATIONAL | | | | |
| DESIGNED KIMURA TORU | | CHECKED KONDO MASAMI | | |
| DATE : JUNE 2001 | | DWG. No. PC- IWPS - 314 | | |