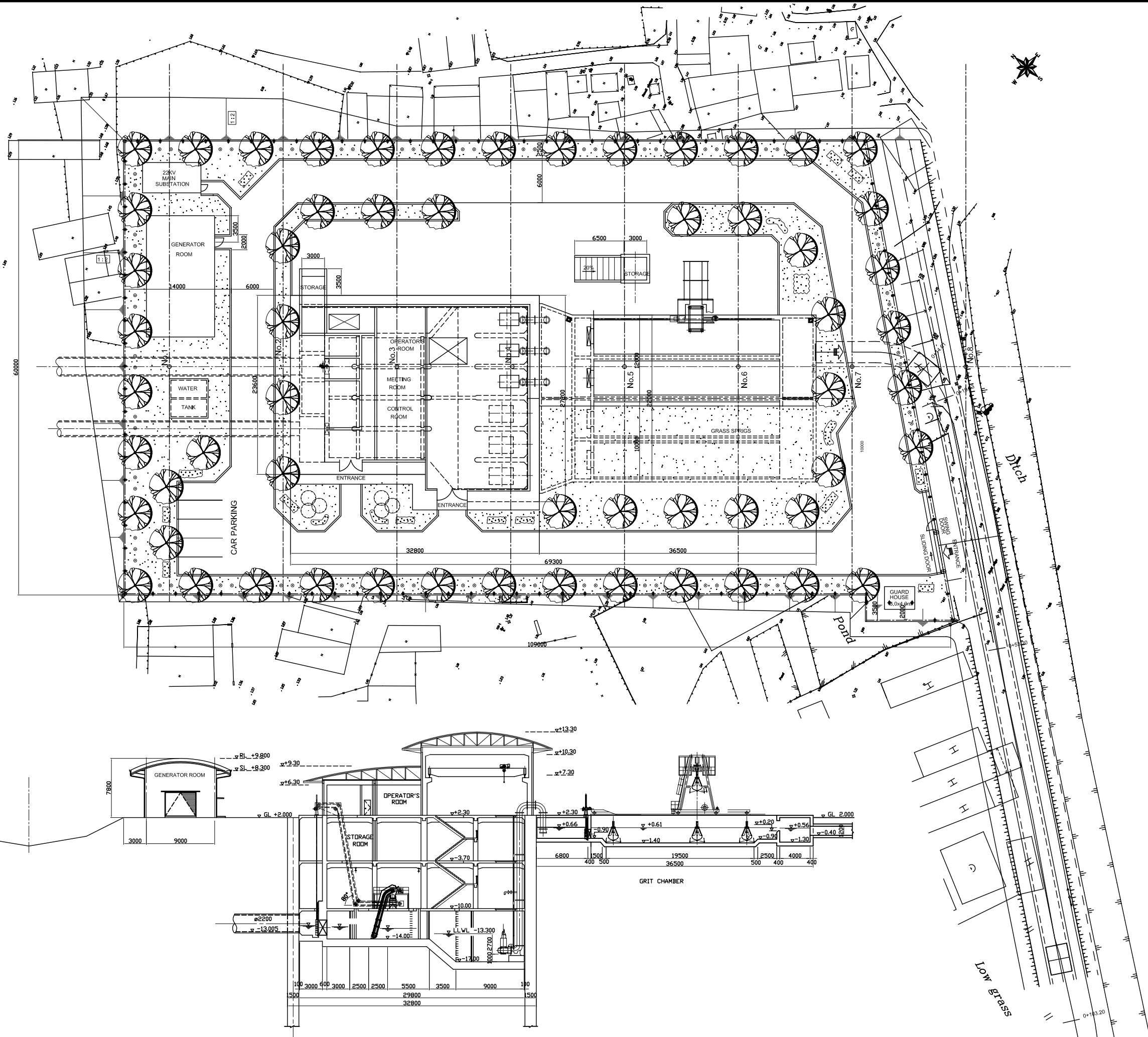


**INTERMEDIATE WASTEWATER PUMPING STATION**



NO.	DATE	DESCRIPTIONS	BY	APRO.

REVISIONS

PROJECT MANAGEMENT UNIT FOR  
HO CHI MINH CITY  
WATER ENVIRONMENT IMPROVEMENT

THE DETAILED DESIGN ON HO CHI MINH CITY  
WATER ENVIRONMENT IMPROVEMENT PROJECT  
IN THE SOCIALIST REPUBLIC OF VIET NAM

PACKAGE C  
INTERMEDIATE WASTEWATER PUMPING STATION  
GENERAL LAYOUT OF INTERMEDIATE  
WASTEWATER PUMPING STATION

SCALE : 1/250

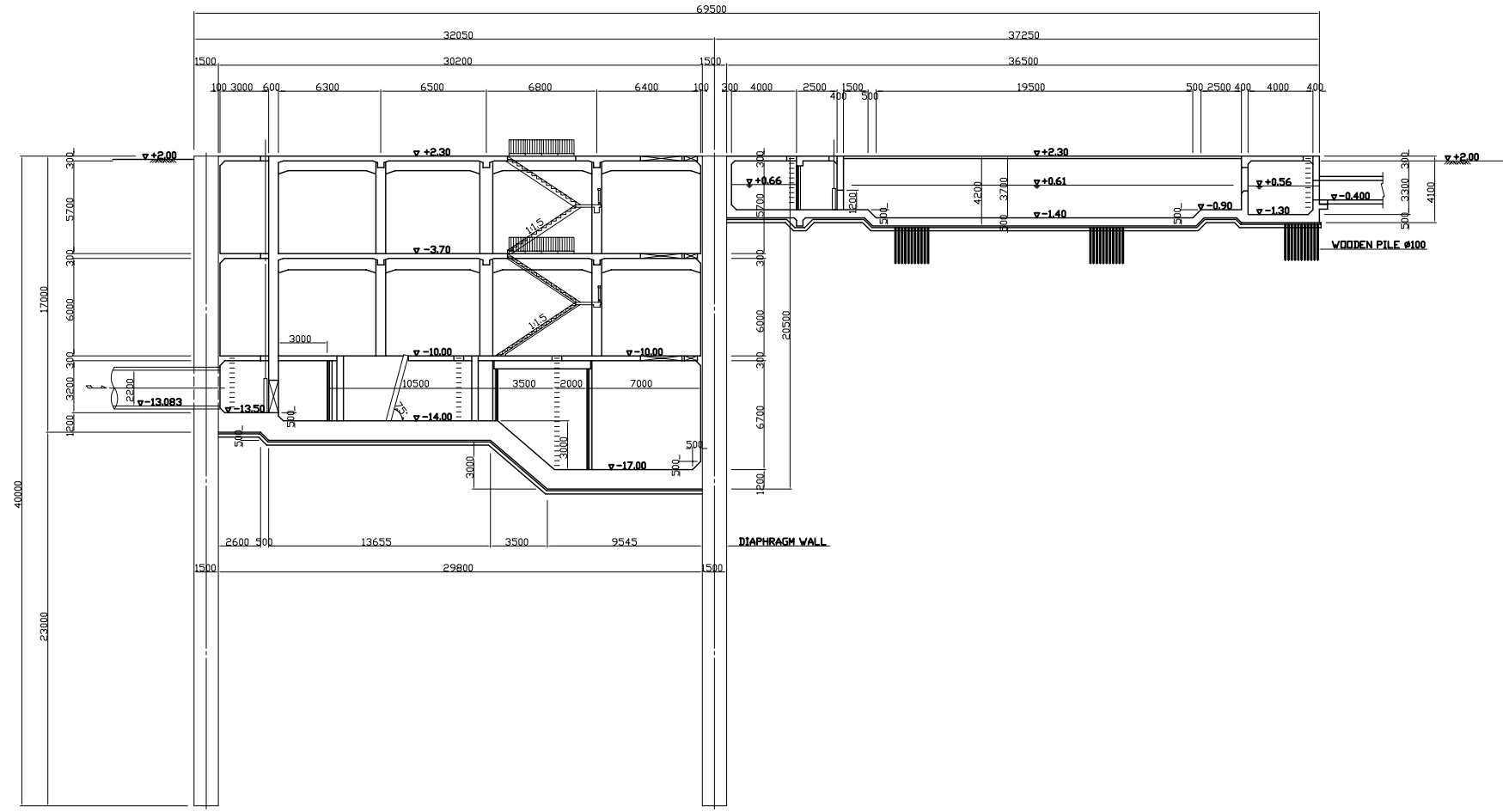
JAPAN INTERNATIONAL COOPERATION  
AGENCY ( JICA )

PACIFIC CONSULTANTS INTERNATIONAL

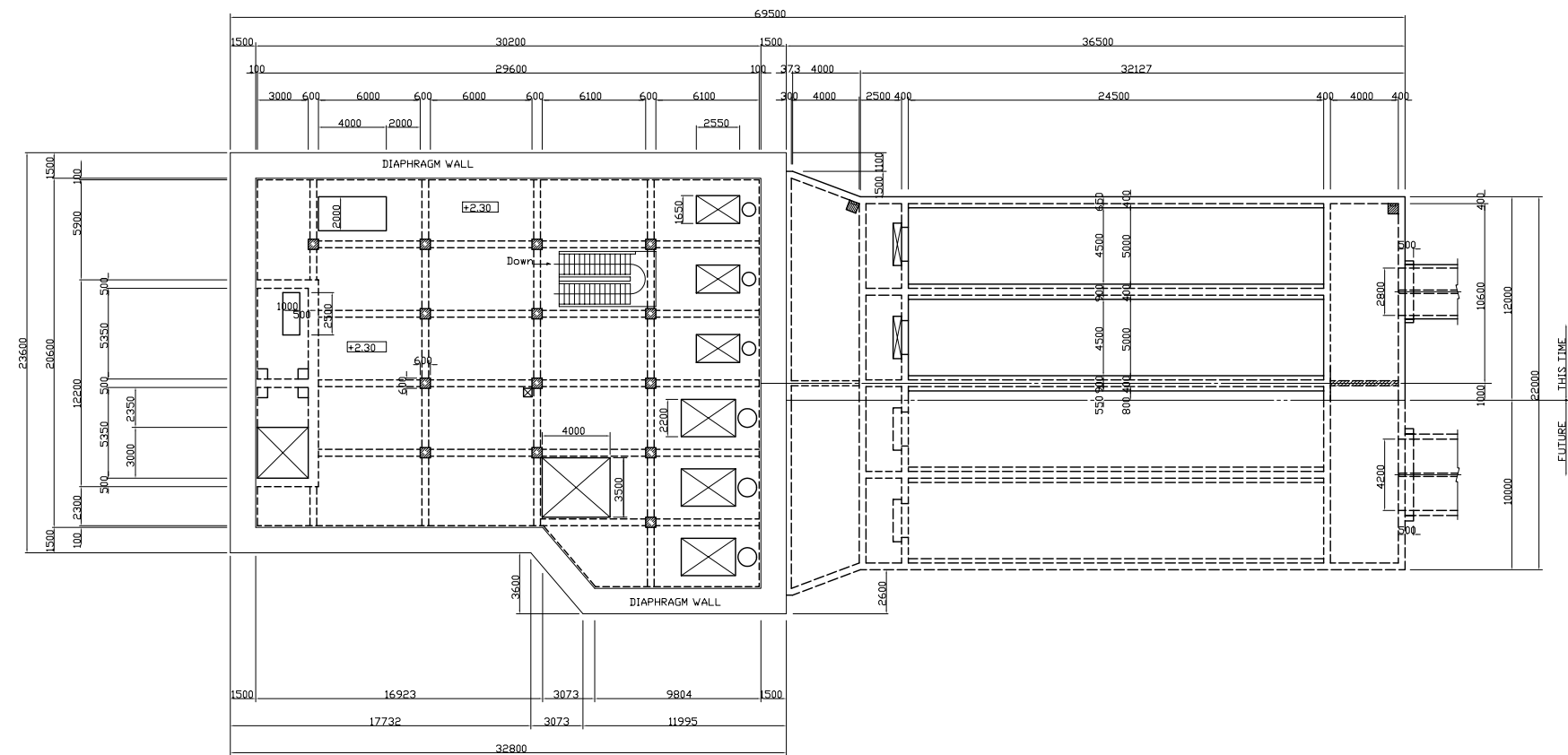
DESIGNED KIMURA TORU	CHECKED KONDO MASAMI
-------------------------	-------------------------



DATE : JUNE 2001      DWG. No. PC - IWPS -201

PROFILE

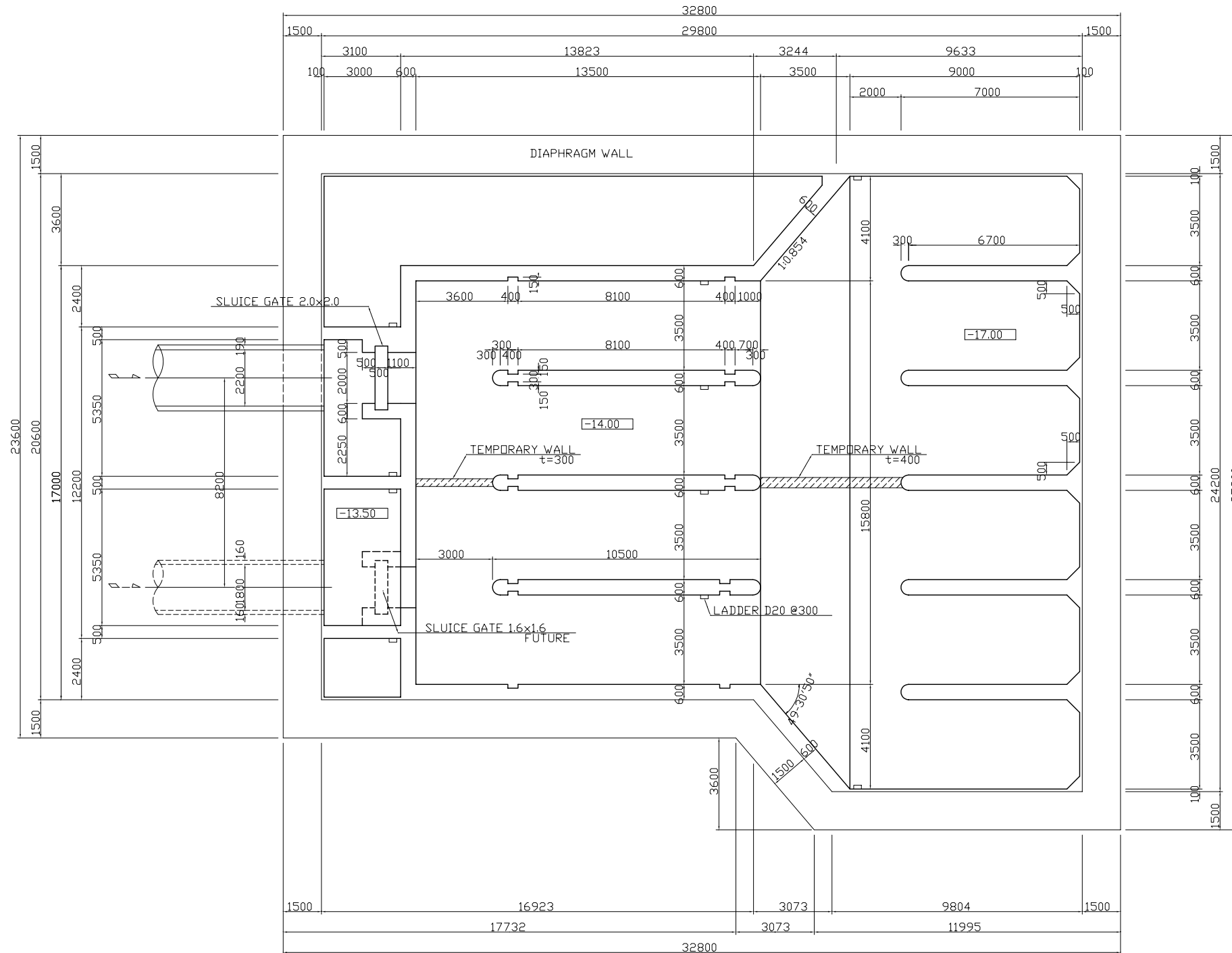


PLAN

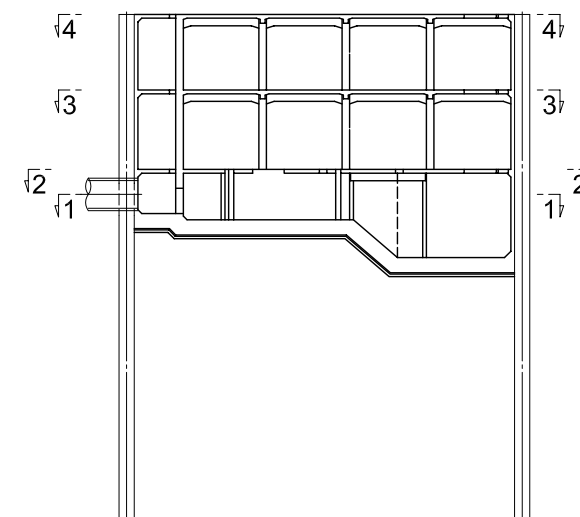


NO.	DATE	DESCRIPTIONS	BY	APRO.
REVISIONS				
PROJECT MANAGEMENT UNIT FOR HO CHI MINH CITY WATER ENVIRONMENT IMPROVEMENT				
THE DETAILED DESIGN STUDY ON HO CHI MINH CITY WATER ENVIRONMENT IMPROVEMENT PROJECT IN THE SOCIALIST REPUBLIC OF VIET NAM				
PACKAGE C INTERMEDIATE WASTEWATER PUMPING STATION PLAN AND SECTION OF PUMPING STATION AND GRIT CHAMBER				
SCALE : 1 / 200				
 JAPAN INTERNATIONAL COOPERATION AGENCY ( JICA )				
 PACIFIC CONSULTANTS INTERNATIONAL				
DESIGNED KIMURA TORU		CHECKED KONDO MASAMI		
DATE : JUNE 2001		DWG. No. PC - IWPS - 202		

1 - 1



KEY MAP



NO.	DATE	DESCRIPTIONS	BY	APRO.

REVISIONS

PROJECT MANAGEMENT UNIT FOR  
HO CHI MINH CITY  
WATER ENVIRONMENT IMPROVEMENT

THE DETAILED DESIGN STUDY ON HO CHI MINH CITY  
WATER ENVIRONMENT IMPROVEMENT PROJECT  
IN THE SOCIALIST REPUBLIC OF VIET NAM

PACKAGE C  
INTERMEDIATE WASTEWATER PUMPING STATION  
**PLAN OF INTAKE AND PUMP PIT  
OF PUMPING STATION**

SCALE : 1 / 100

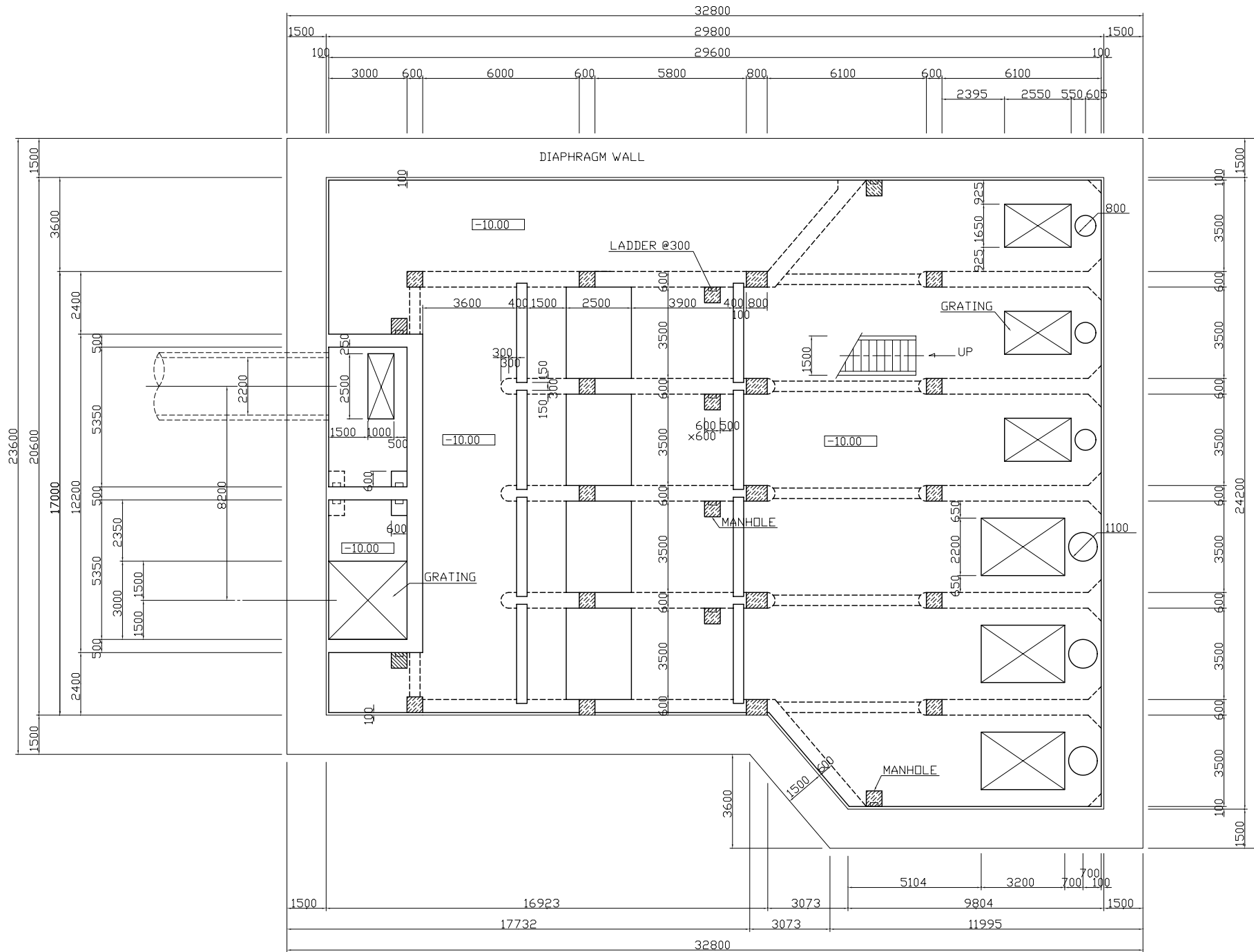
JAPAN INTERNATIONAL COOPERATION  
AGENCY ( JICA )

PACIFIC CONSULTANTS INTERNATIONAL

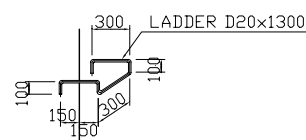
DESIGNED KIMURA TORU	CHECKED KONDO MASAMI
-------------------------	-------------------------

DATE : JUNE 2001      DWG. No. PC - IWPS - 203

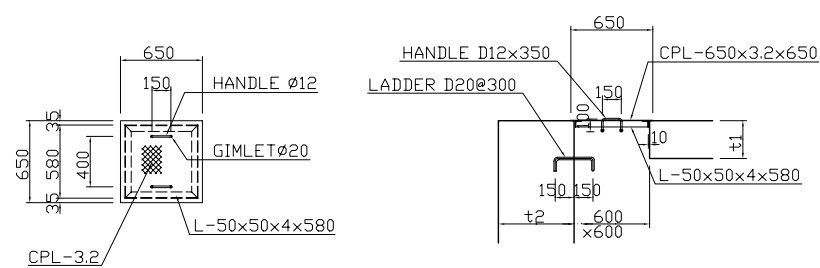
2-2



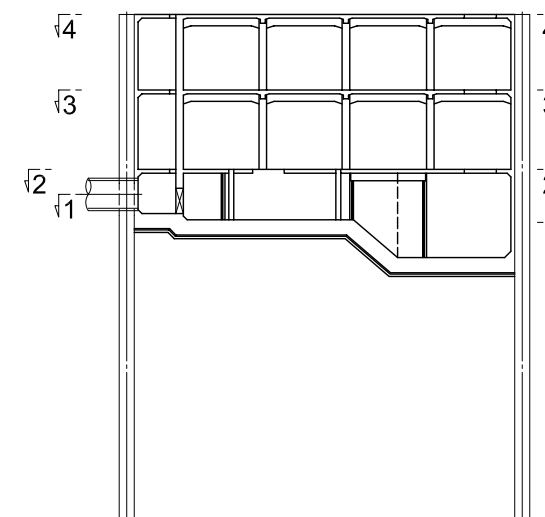
DETAIL OF LADDER s:1/30



COVER OF MANHOLE s:1/30



KEY MAP



NO.	DATE	DESCRIPTIONS	BY	APRO.

REVISIONS

PROJECT MANAGEMENT UNIT FOR  
HO CHI MINH CITY  
WATER ENVIRONMENT IMPROVEMENT

THE DETAILED DESIGN STUDY ON HO CHI MINH CITY  
WATER ENVIRONMENT IMPROVEMENT PROJECT  
IN THE SOCIALIST REPUBLIC OF VIET NAM

PACKAGE C  
INTERMEDIATE WASTEWATER PUMPING STATION

PLAN OF BASEMENT 2 FLOOR  
OF PUMPING STATION

SCALE : 1/100, 1/30

JICA JAPAN INTERNATIONAL COOPERATION  
AGENCY ( JICA )

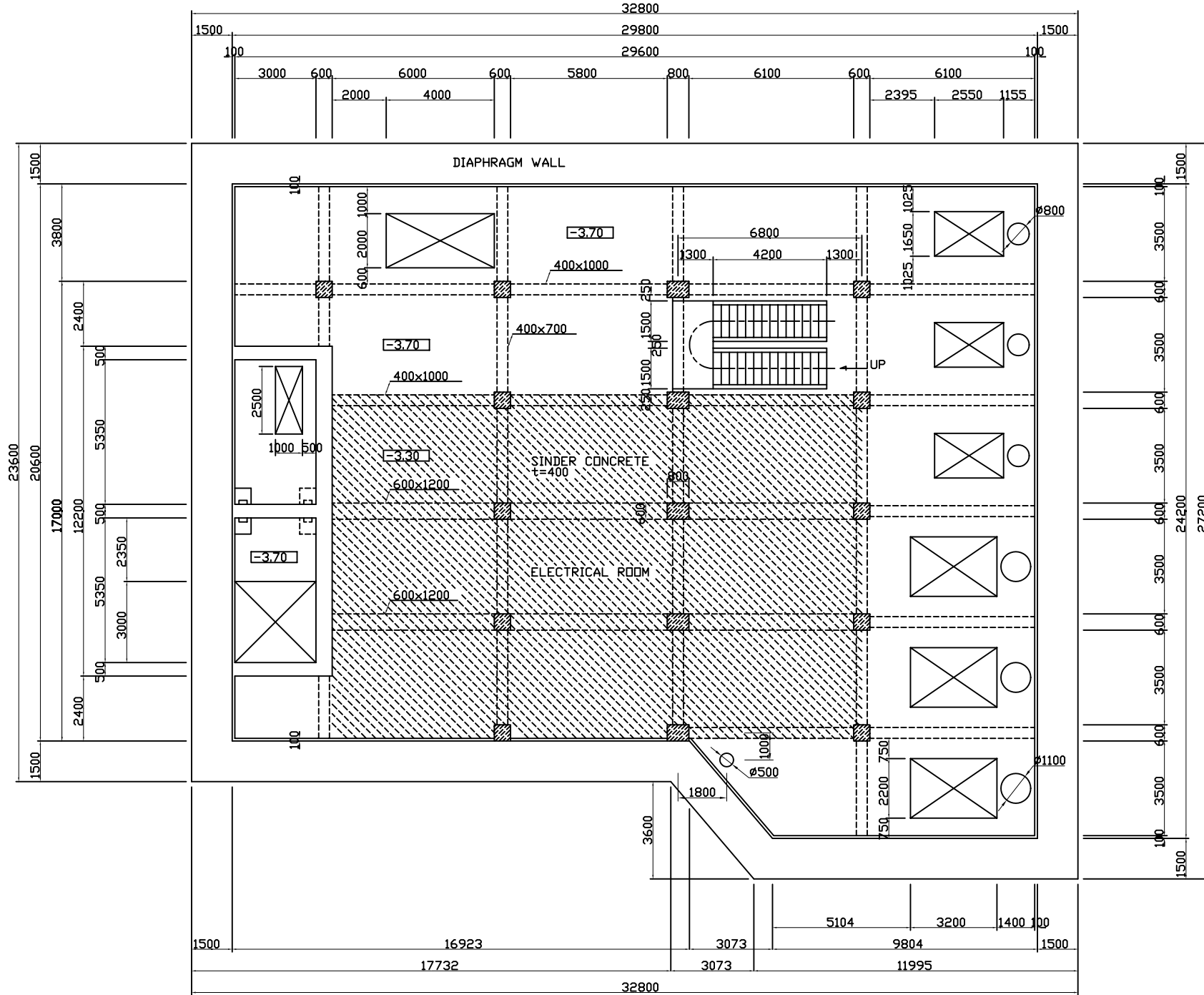
PACIFIC CONSULTANTS INTERNATIONAL

DESIGNED  
KIMURA TORU

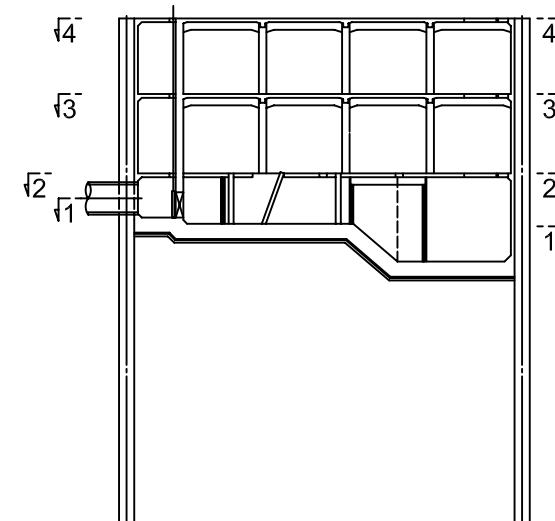
CHECKED  
KONDO MASAMI



DATE : JUNE 2001 DWG. No. PC - IWPS - 204

3 - 3

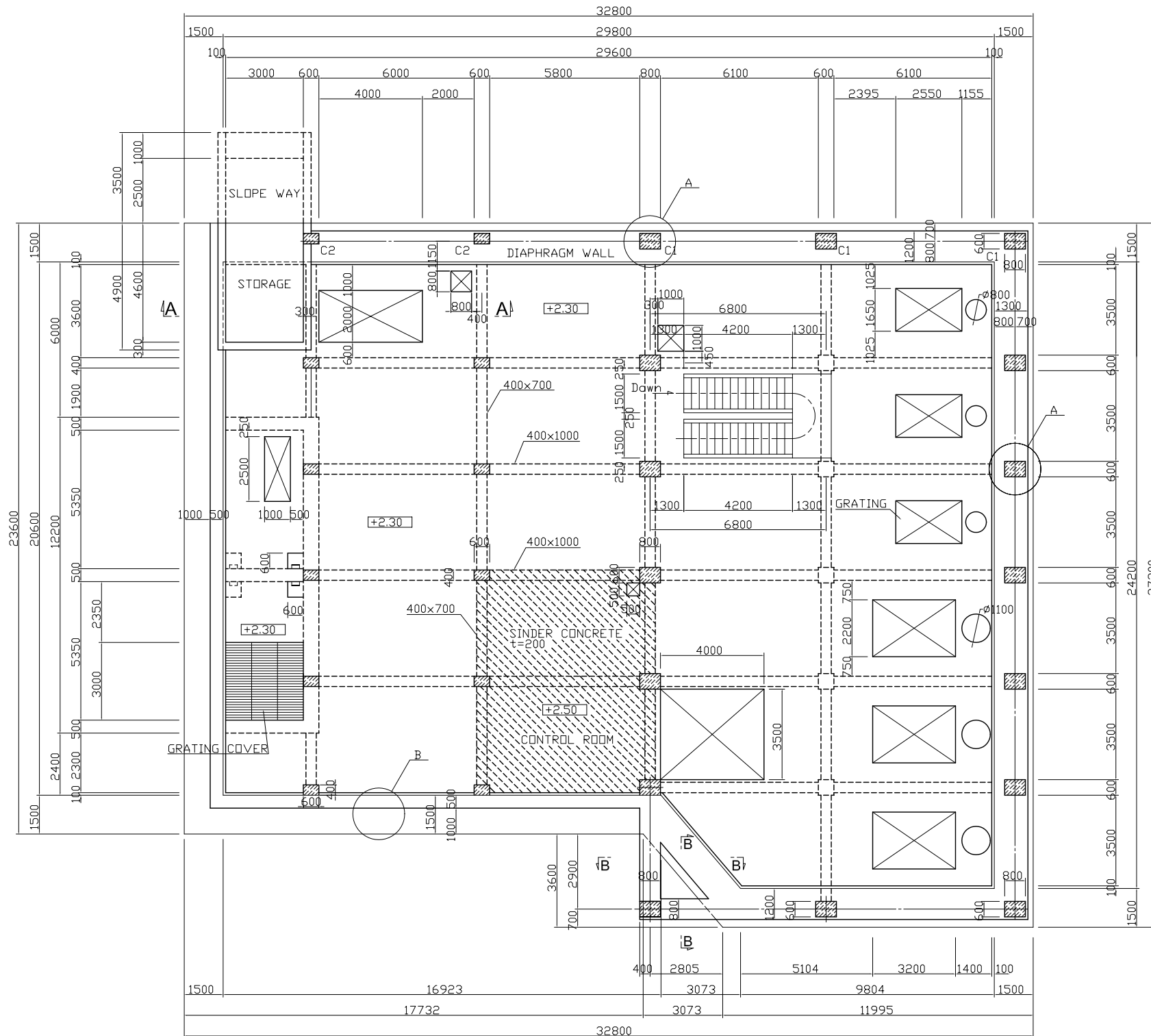


KEY MAP

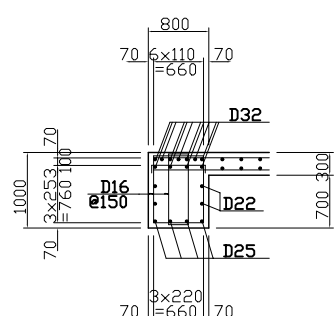


NO.	DATE	DESCRIPTIONS	BY	APRO.
REVISIONS				
PROJECT MANAGEMENT UNIT FOR HO CHI MINH CITY WATER ENVIRONMENT IMPROVEMENT				
THE DETAILED DESIGN STUDY ON HO CHI MINH CITY WATER ENVIRONMENT IMPROVEMENT PROJECT IN THE SOCIALIST REPUBLIC OF VIET NAM				
PACKAGE C INTERMEDIATE WASTEWATER PUMPING STATION				
PLAN OF BASEMENT 1 FLOOR OF PUMPING STATION				
SCALE : 1 / 100				
 JAPAN INTERNATIONAL COOPERATION AGENCY ( JICA )				
 PACIFIC CONSULTANTS INTERNATIONAL				
DESIGNED KIMURA TORU		CHECKED KONDO MASAMI		
DATE : JUNE 2001		DWG. No. PC - IWPS - 205		

4 - 4



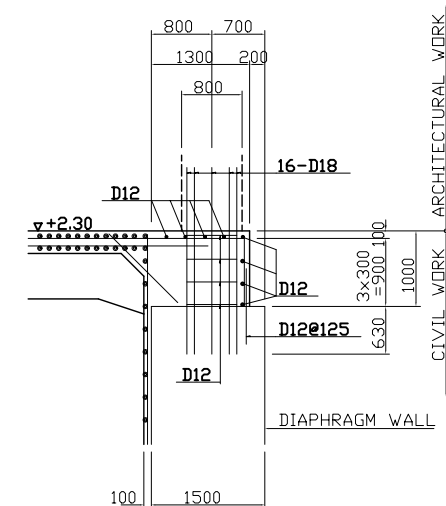
B - B



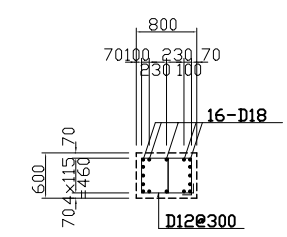
BAR ARRANGEMENT OF CONNECTION

S : 1/50

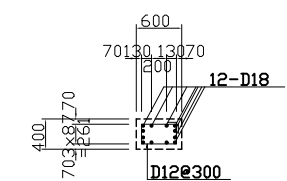
DETAIL OF (A)



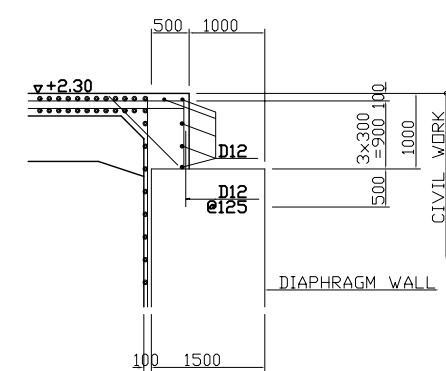
C-1



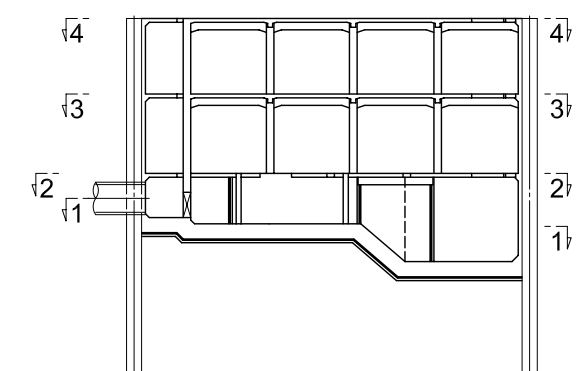
C-2





DETAIL OF (B)

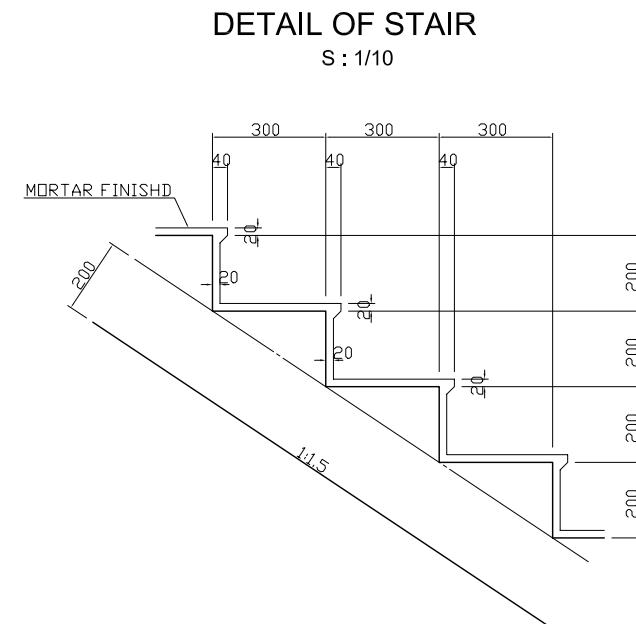
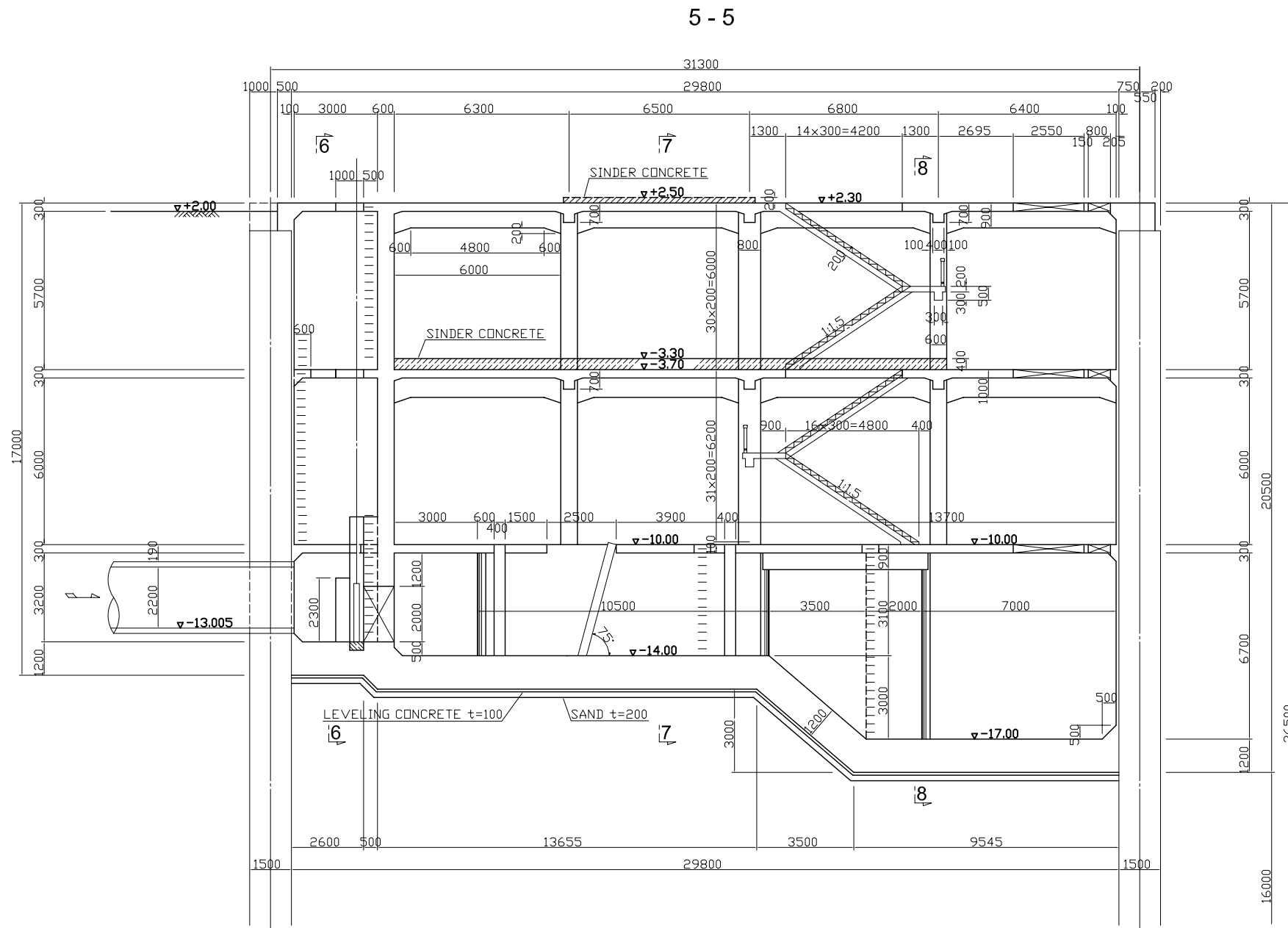


KEY MAP

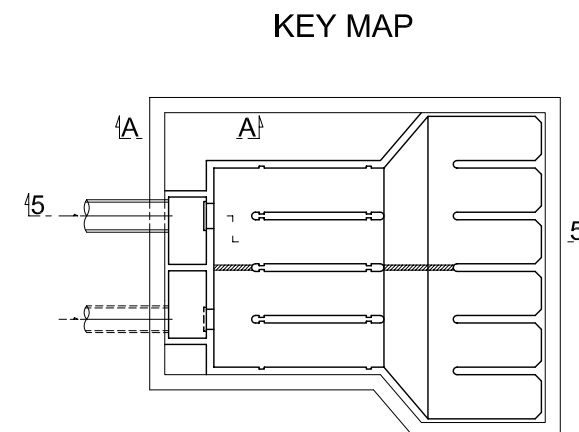
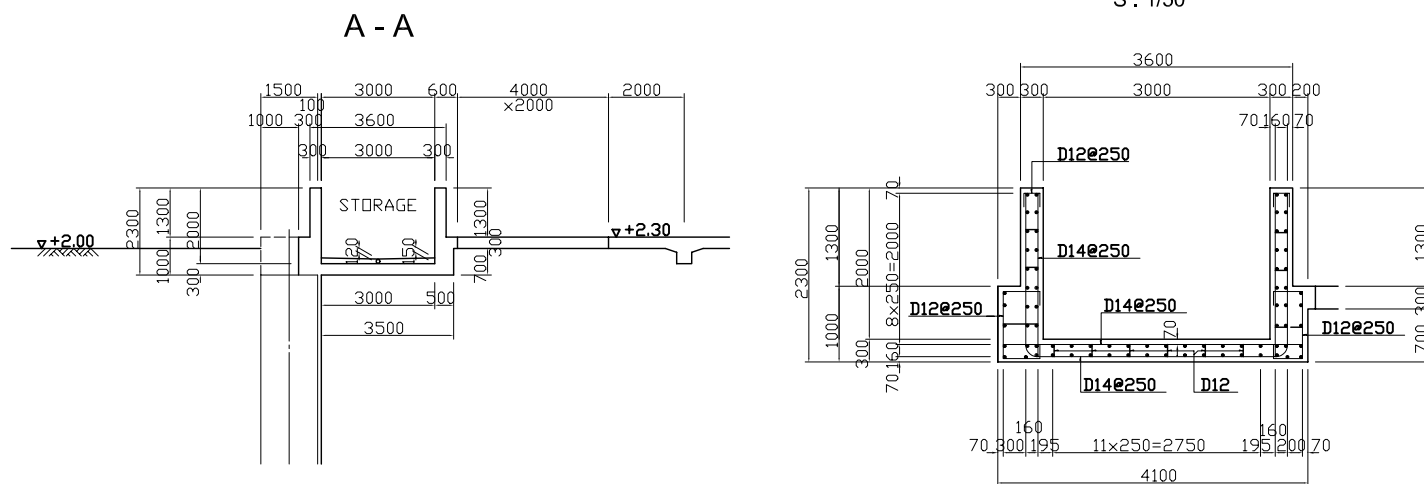


NO.	DATE	DESCRIPTIONS	BY	APRO.
REVISIONS				
PROJECT MANAGEMENT UNIT FOR HO CHI MINH CITY WATER ENVIRONMENT IMPROVEMENT				
THE DETAILED DESIGN STUDY ON HO CHI MINH CITY WATER ENVIRONMENT IMPROVEMENT PROJECT IN THE SOCIALIST REPUBLIC OF VIET NAM				
PACKAGE C INTERMEDIATE WASTEWATER PUMPING STATION				
PLAN OF GROUND FLOOR OF PUMPING STATION				
SCALE : 1/100, 1/50				
 JAPAN INTERNATIONAL COOPERATION AGENCY ( JICA )				
 PACIFIC CONSULTANTS INTERNATIONAL				
DESIGNED KIMURA TORU		CHECKED KONDO MASAMI		
DATE : JUNE 2001		DWG. No. PC - IWPS - 206		



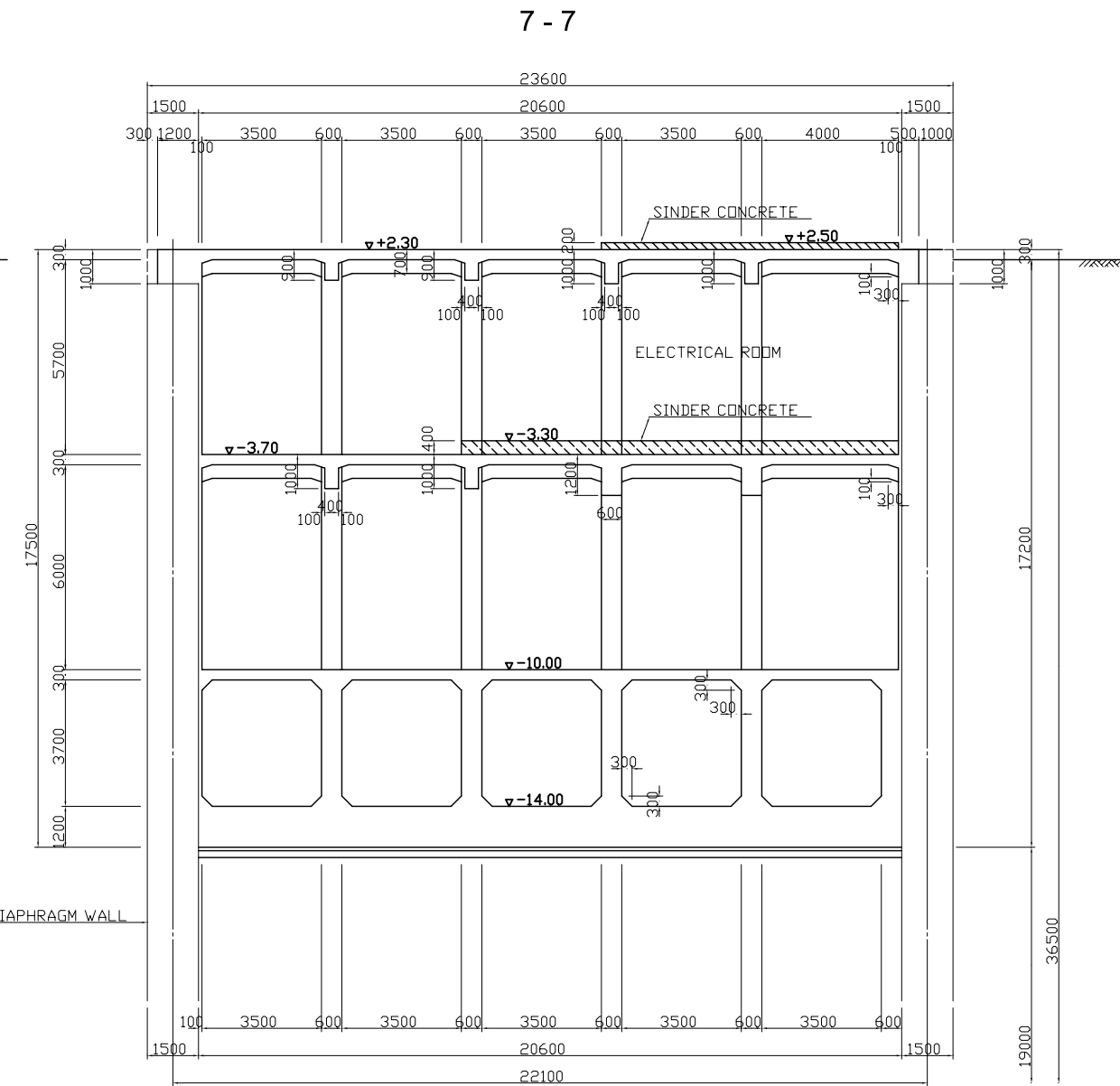
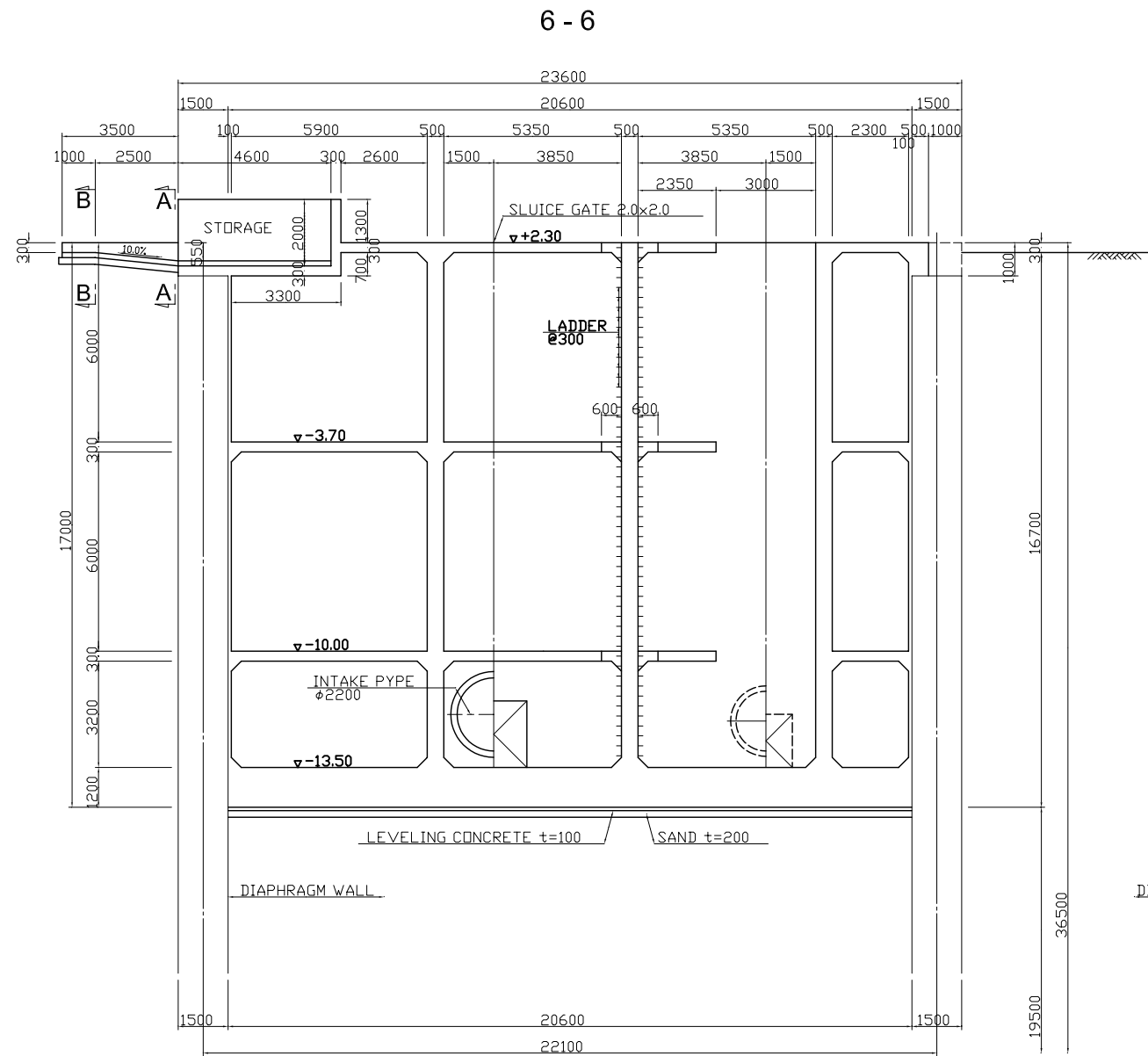


STORAGE BAR ARRANGEMENT  
S : 1/50



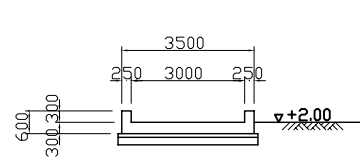
NO.	DATE	DESCRIPTIONS	BY	APRO.
REVISIONS				
PROJECT MANAGEMENT UNIT FOR HO CHI MINH CITY WATER ENVIRONMENT IMPROVEMENT				
THE DETAILED DESIGN STUDY ON HO CHI MINH CITY WATER ENVIRONMENT IMPROVEMENT PROJECT IN THE SOCIALIST REPUBLIC OF VIET NAM				
PACKAGE C INTERMEDIATE WASTEWATER PUMPING STATION				
PROFILE OF PUMPING STATION				
SCALE : 1 / 100				
JAPAN INTERNATIONAL COOPERATION AGENCY ( JICA )				
PACIFIC CONSULTANTS INTERNATIONAL				
DESIGNED KIMURA TORU		CHECKED KONDO MASAMI		
DATE : JUNE 2001		DWG. No. PC - IWPS - 207		



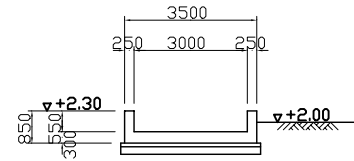


STORAGE SLOPE WAY

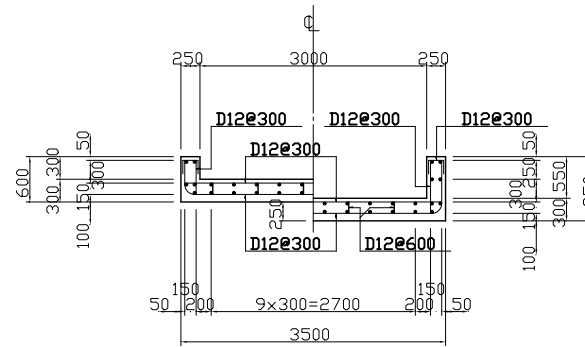
B - B



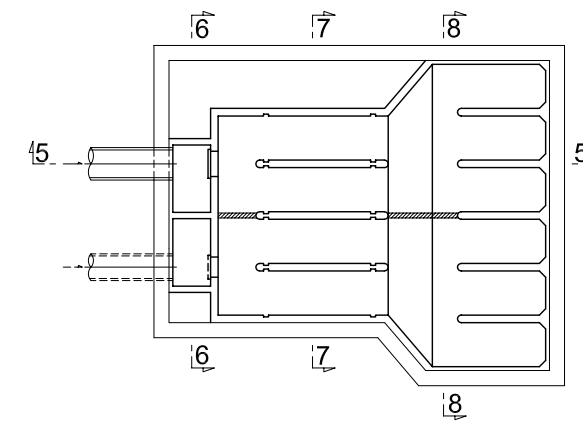
A - A



BAR ARRANGEMENT OF SLOPE WAY



KEY MAP



NO.	DATE	DESCRIPTIONS	BY	APRO.

REVISIONS				

PROJECT MANAGEMENT UNIT FOR  
HO CHI MINH CITY  
WATER ENVIRONMENT IMPROVEMENT

THE DETAILED DESIGN STUDY ON HO CHI MINH CITY  
WATER ENVIRONMENT IMPROVEMENT PROJECT  
IN THE SOCIALIST REPUBLIC OF VIET NAM

PACKAGE C  
INTERMEDIATE WASTEWATER PUMPING STATION

SECTION OF INTAKE  
AND PUMP PIT (1/2)

SCALE : 1 / 100

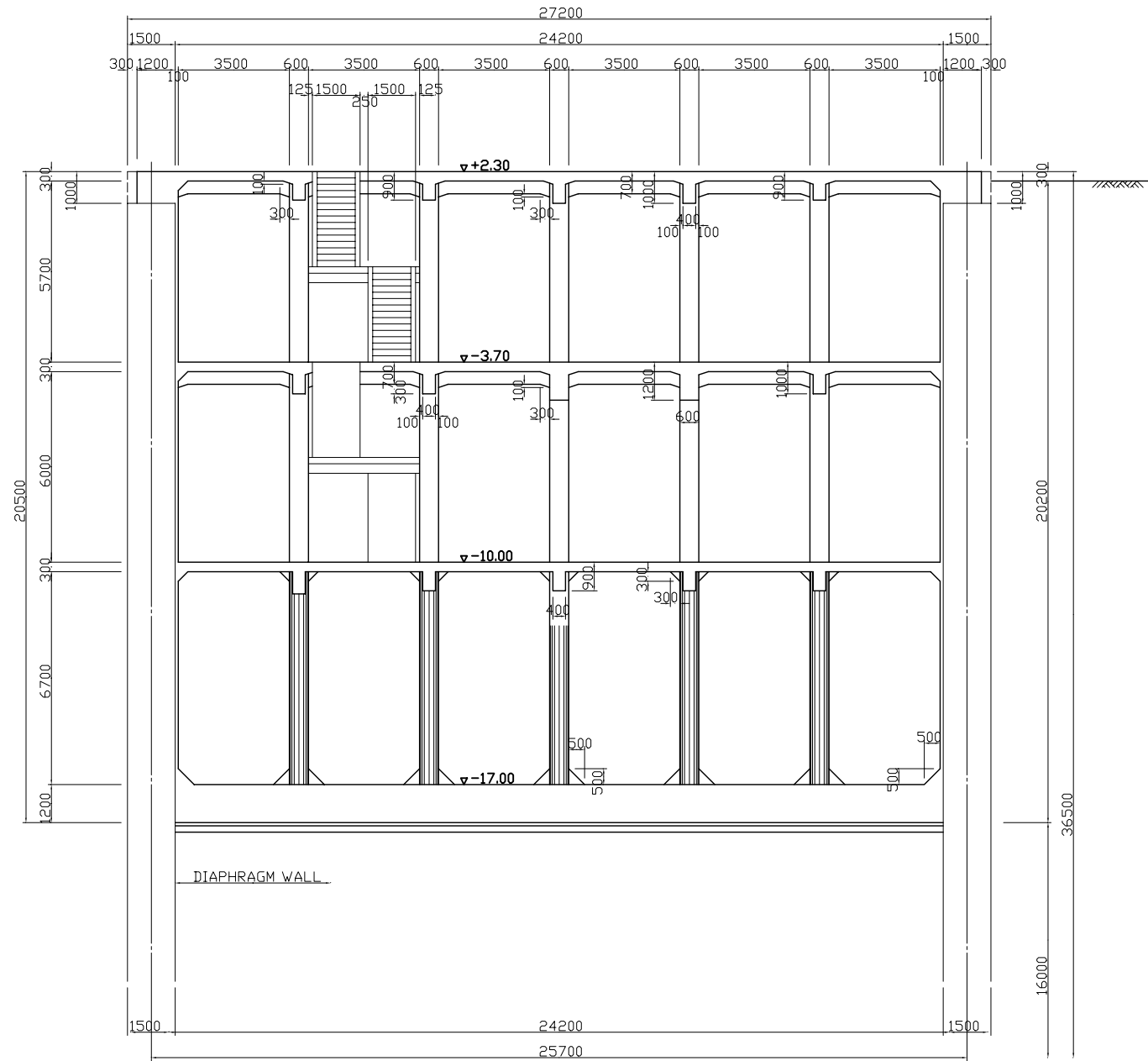
JICA JAPAN INTERNATIONAL COOPERATION  
AGENCY ( JICA )

PACIFIC CONSULTANTS INTERNATIONAL

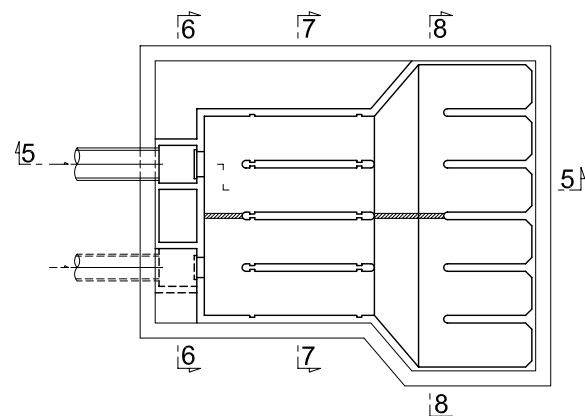
DESIGNED KIMURA TORU	CHECKED KONDO MASAMI
-------------------------	-------------------------

DATE : JUNE 2001 DWG. No. PC - IWPS - 208

8 - 8



KEY MAP




NO.	DATE	DESCRIPTIONS	BY	APRO.
-----	------	--------------	----	-------

REVISIONS


PROJECT MANAGEMENT UNIT FOR  
HO CHI MINH CITY  
WATER ENVIRONMENT IMPROVEMENT


THE DETAILED DESIGN STUDY ON HO CHI MINH CITY  
WATER ENVIRONMENT IMPROVEMENT PROJECT  
IN THE SOCIALIST REPUBLIC OF VIET NAM

PACKAGE C  
INTERMEDIATE WASTEWATER PUMPING STATION

SECTION OF INTAKE  
AND PUMP PIT (2/2)

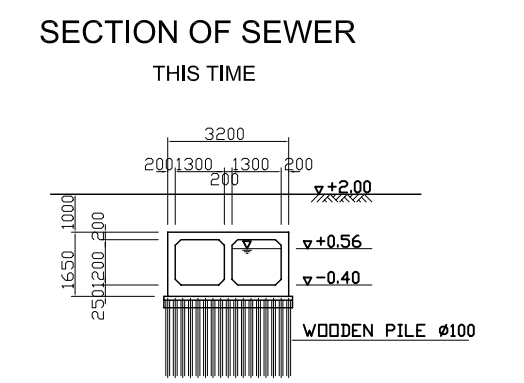
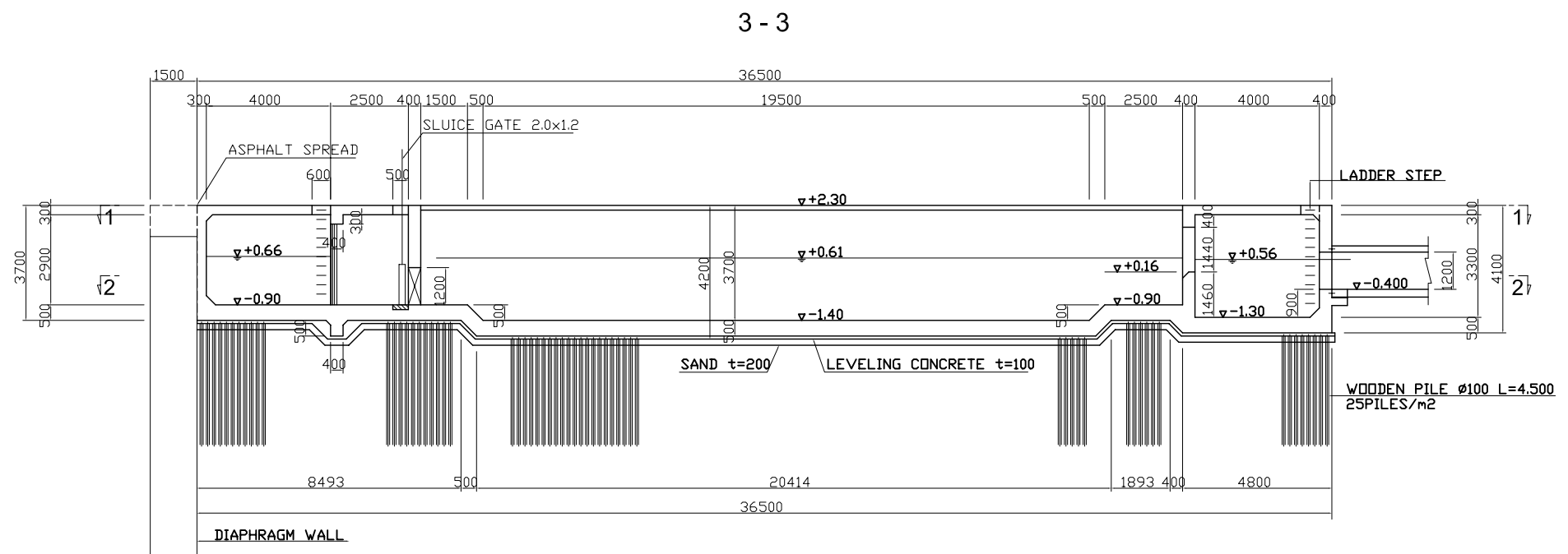
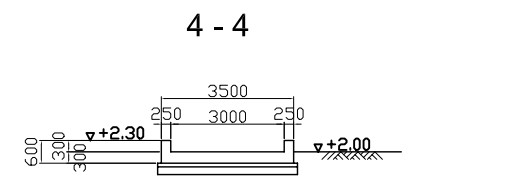
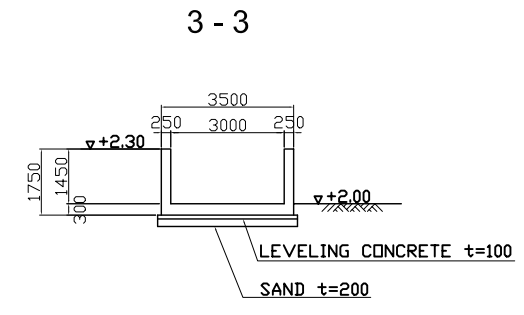
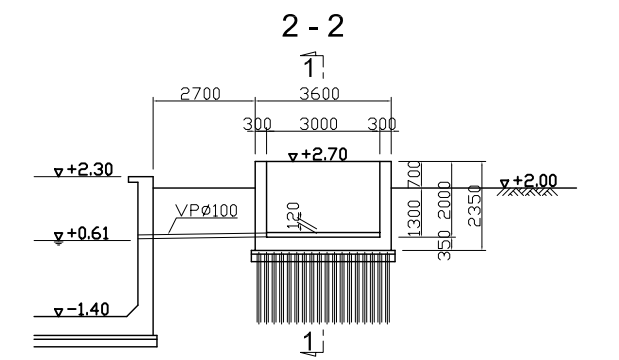
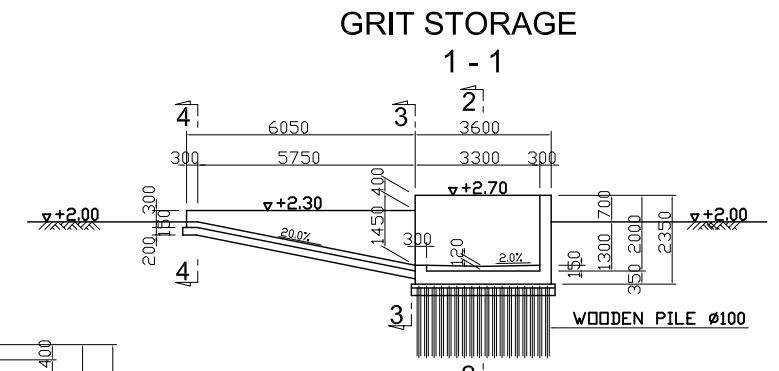
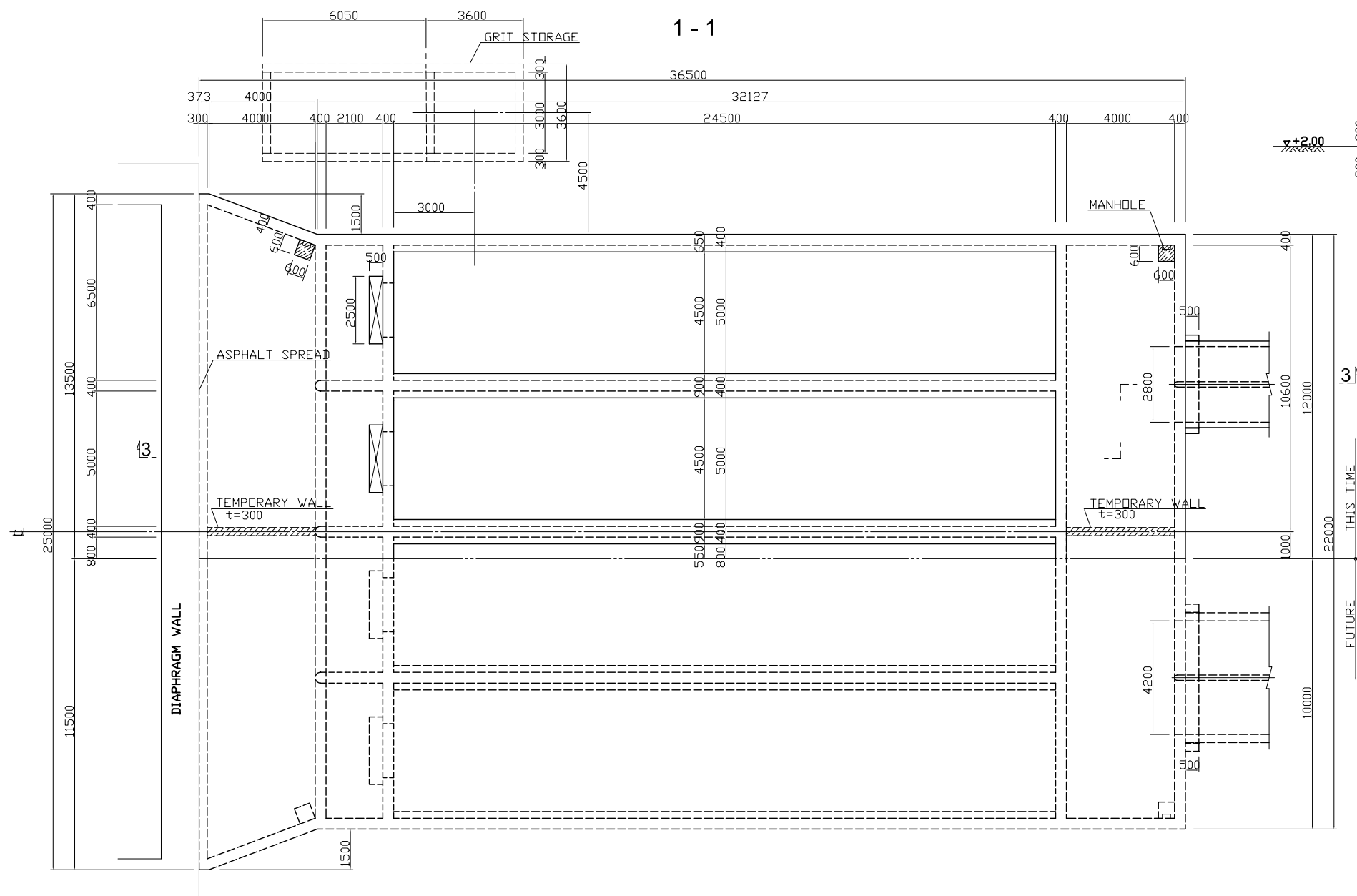
SCALE : 1 / 100

 JAPAN INTERNATIONAL COOPERATION  
AGENCY ( JICA )

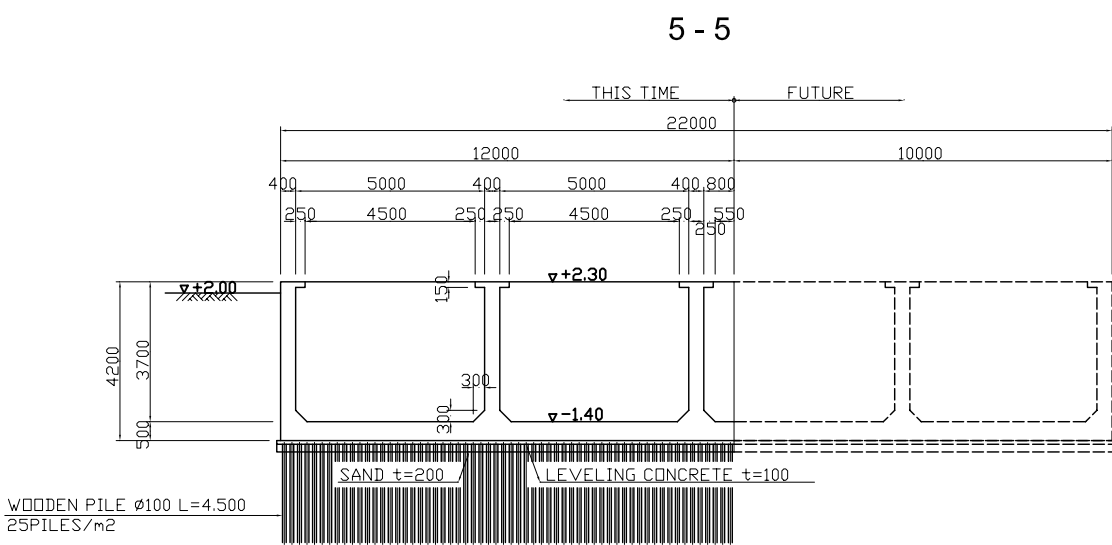
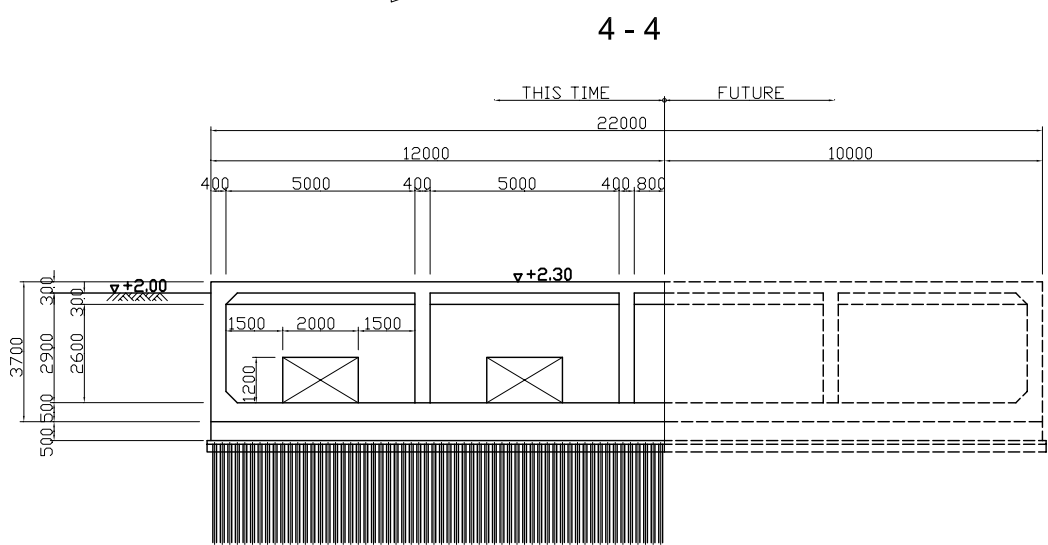
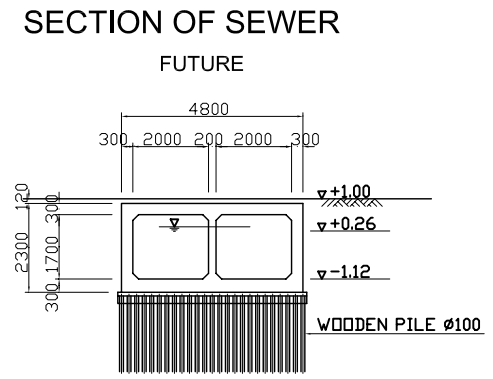
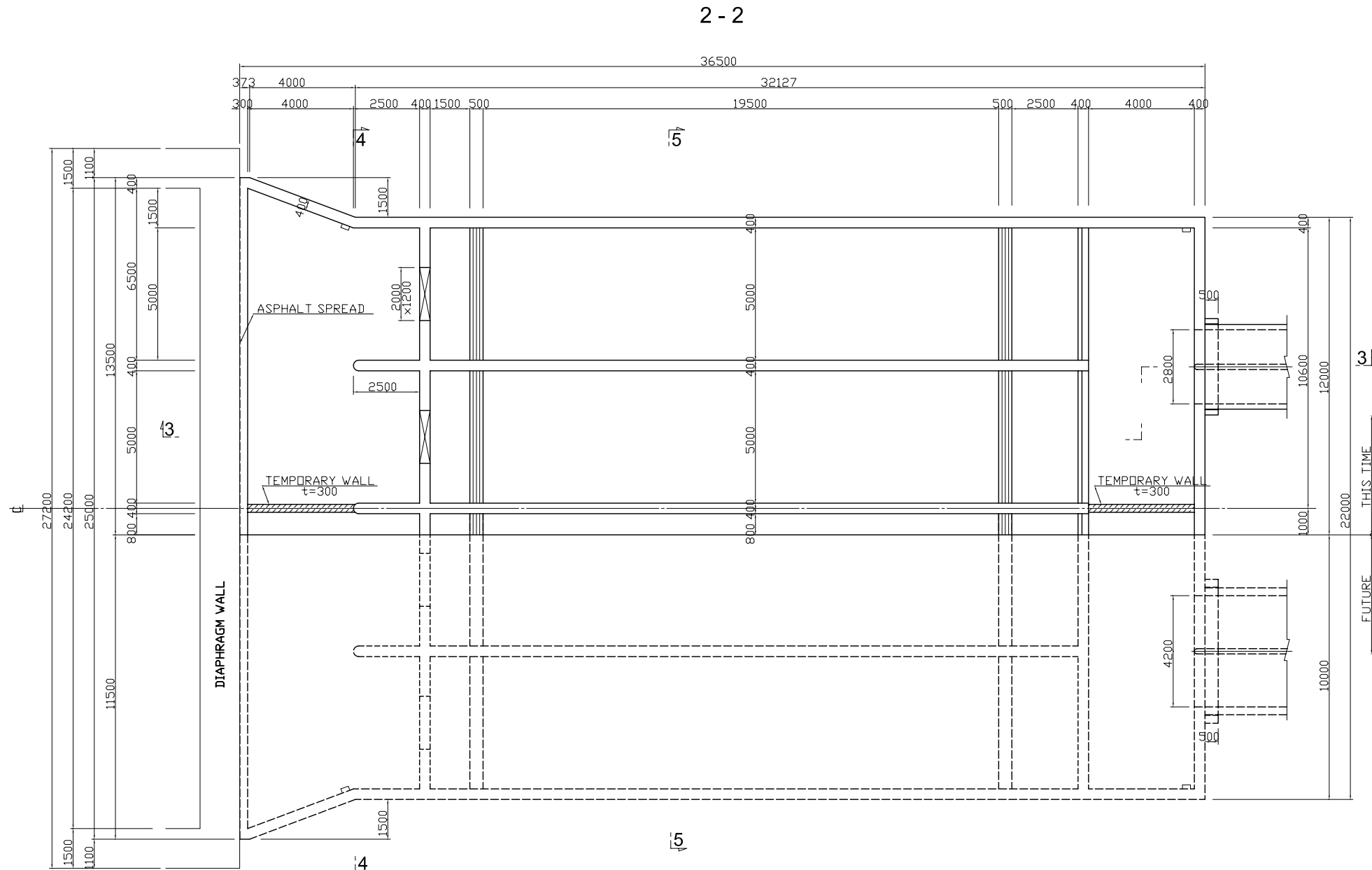
 PACIFIC CONSULTANTS INTERNATIONAL

DESIGNED KIMURA TORU	CHECKED KONDO MASAMI
-------------------------	-------------------------



DATE : JUNE 2001      DWG. No. PC - IWPS - 209



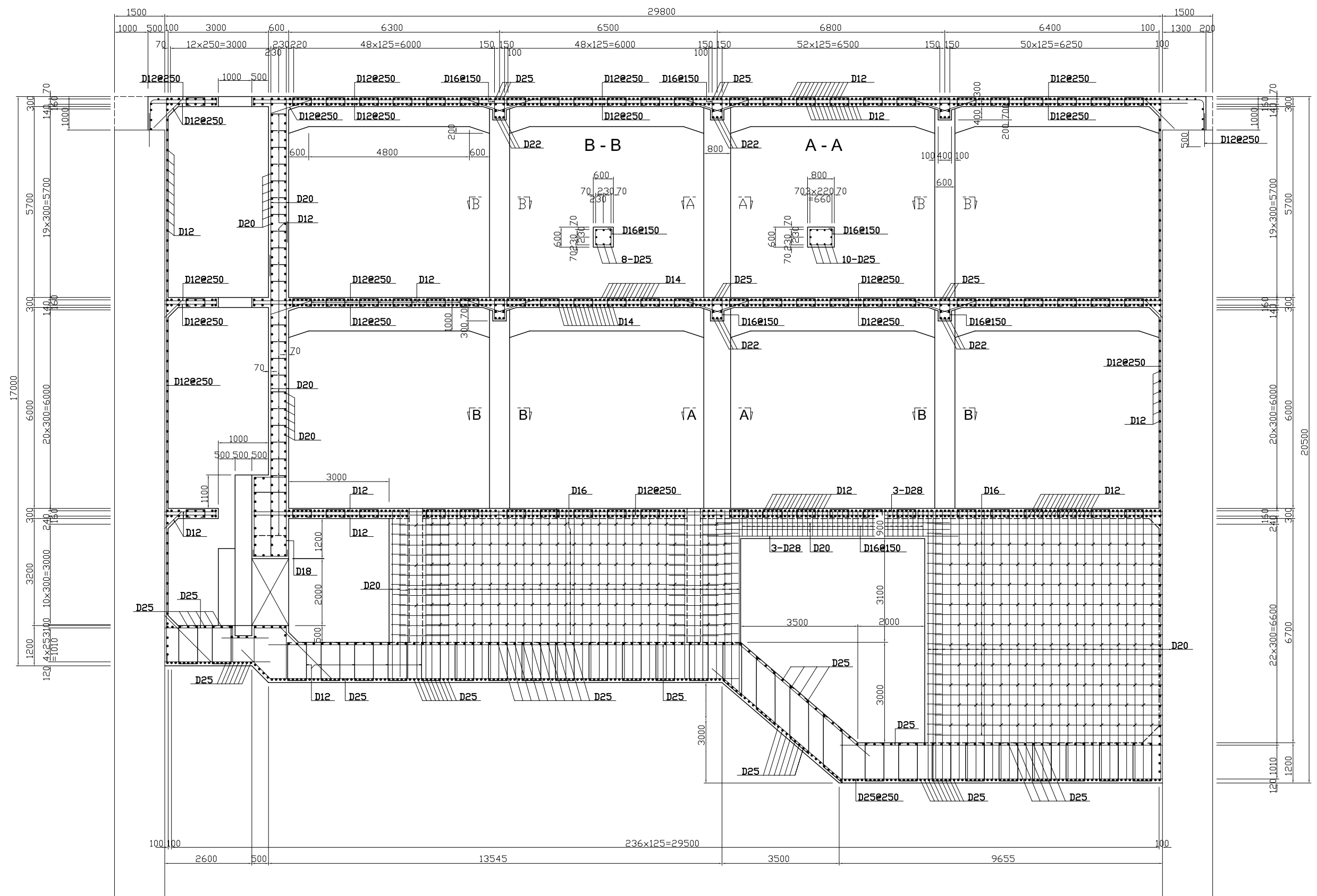
NO.	DATE	DESCRIPTIONS	BY	APRO.
REVISIONS				
PROJECT MANAGEMENT UNIT FOR HO CHI MINH CITY WATER ENVIRONMENT IMPROVEMENT				
THE DETAILED DESIGN STUDY ON HO CHI MINH CITY WATER ENVIRONMENT IMPROVEMENT PROJECT IN THE SOCIALIST REPUBLIC OF VIET NAM				
PACKAGE C INTERMEDIATE WASTEWATER PUMPING STATION				
PLAN AND SECTION OF GRIT CHAMBER (1/2)				
SCALE : 1 / 100				
JAPAN INTERNATIONAL COOPERATION AGENCY ( JICA ) PACIFIC CONSULTANTS INTERNATIONAL				
DESIGNED KIMURA TORU	CHECKED KONDO MASAMI			
DATE : JUNE 2001	DWG. No. PC - IWPS - 210			





WOODEN PILE Ø100 L=4.500  
25PILES/m2

NO.	DATE	DESCRIPTIONS	BY	APRO.
REVISIONS				
PROJECT MANAGEMENT UNIT FOR HO CHI MINH CITY WATER ENVIRONMENT IMPROVEMENT				
THE DETAILED DESIGN STUDY ON HO CHI MINH CITY WATER ENVIRONMENT IMPROVEMENT PROJECT IN THE SOCIALIST REPUBLIC OF VIET NAM				
PACKAGE C INTERMEDIATE WASTEWATER PUMPING STATION				
PLAN AND SECTION OF GRIT CHAMBER (2/2)				
SCALE : 1 / 100				
 JAPAN INTERNATIONAL COOPERATION AGENCY ( JICA )				
 PACIFIC CONSULTANTS INTERNATIONAL				
DESIGNED KIMURA TORU		CHECKED KONDO MASAMI		
DATE : JUNE 2001		DWG. No. PC - IWPS - 211		

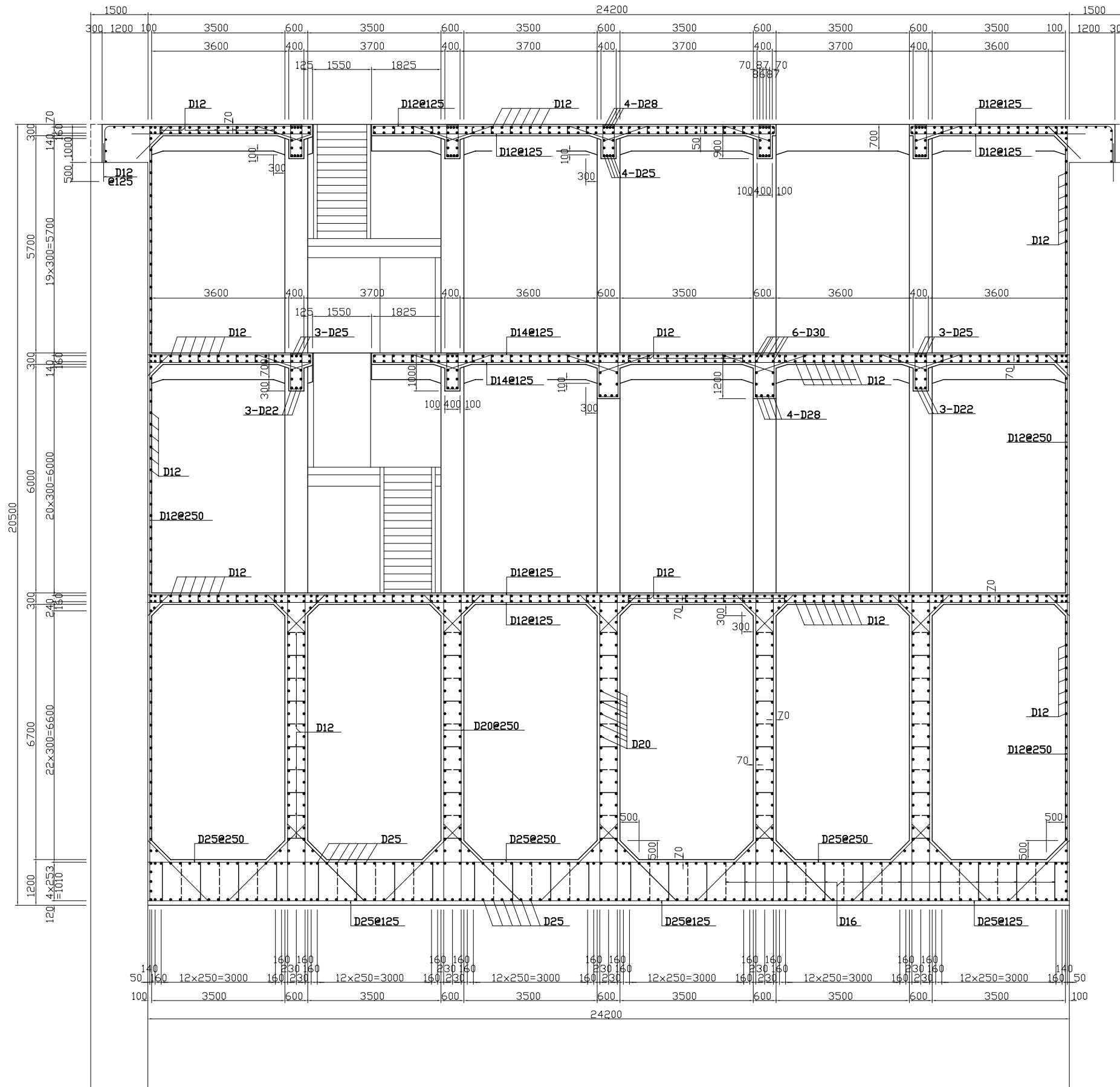
1 - 1



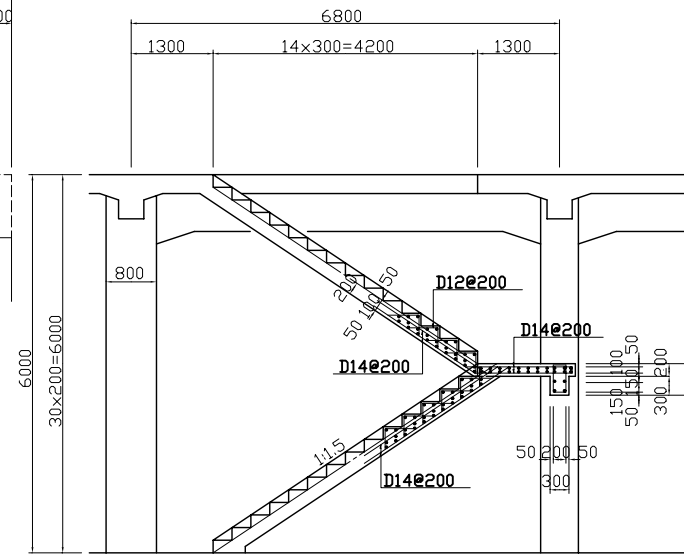
NO.	DATE	DESCRIPTIONS	BY	APRO.
REVISIONS				
PROJECT MANAGEMENT UNIT FOR HO CHI MINH CITY WATER ENVIRONMENT IMPROVEMENT				
THE DETAILED DESIGN STUDY ON HO CHI MINH CITY WATER ENVIRONMENT IMPROVEMENT PROJECT IN THE SOCIALIST REPUBLIC OF VIET NAM				
PACKAGE C INTERMEDIATE WASTEWATER PUMPING STATION  BAR ARRANGEMENT OF INTAKE AND PUMP PIT (1/3)				
SCALE : 1 / 100				
 JAPAN INTERNATIONAL COOPERATION AGENCY ( JICA )				
 PACIFIC CONSULTANTS INTERNATIONAL				
DESIGNED KIMURA TORU		CHECKED KONDO MASAMI		
DATE : JUNE 2001		DWG. No. PC - IWPS - 212		



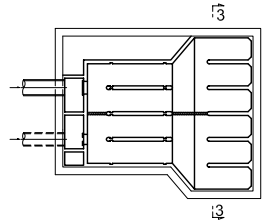
3 - 3



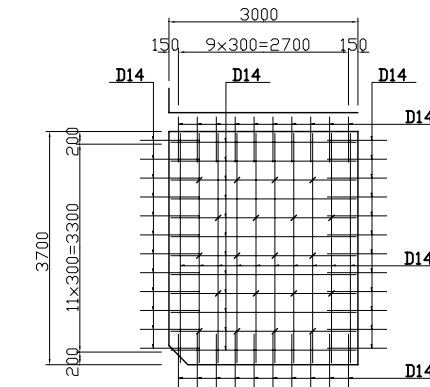
STAIRCASE



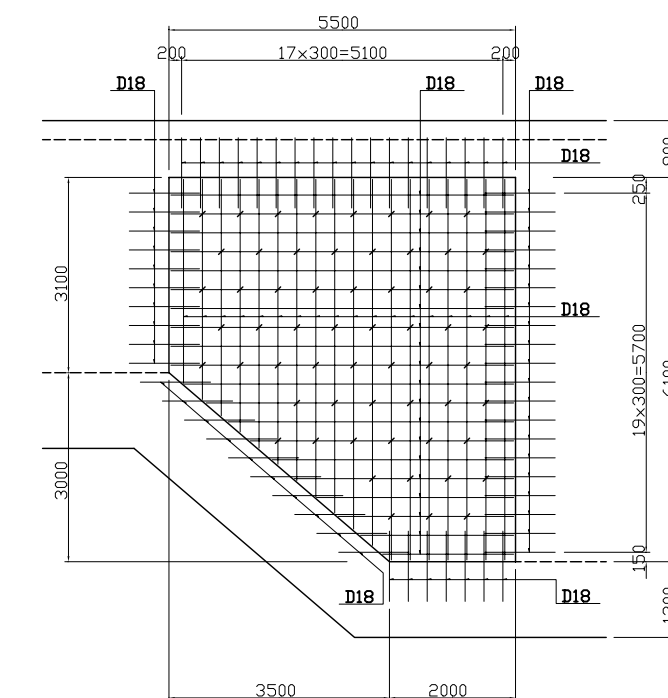
KEY MAP





TEMPORARY WALL(1)

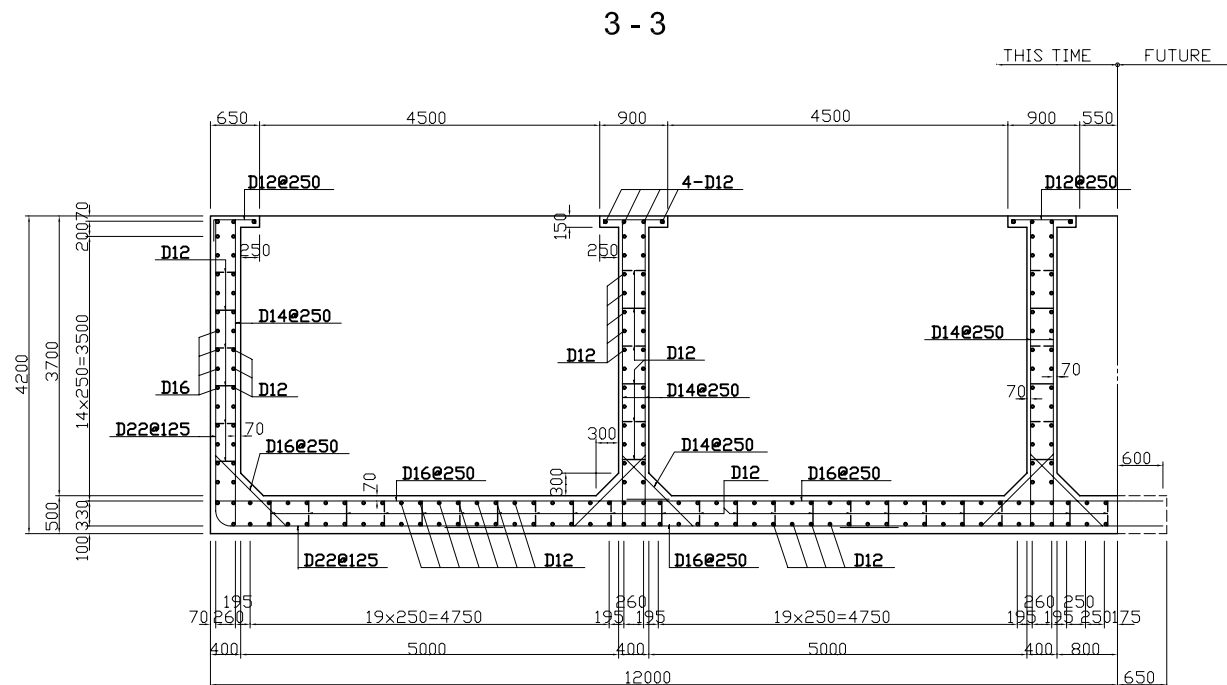
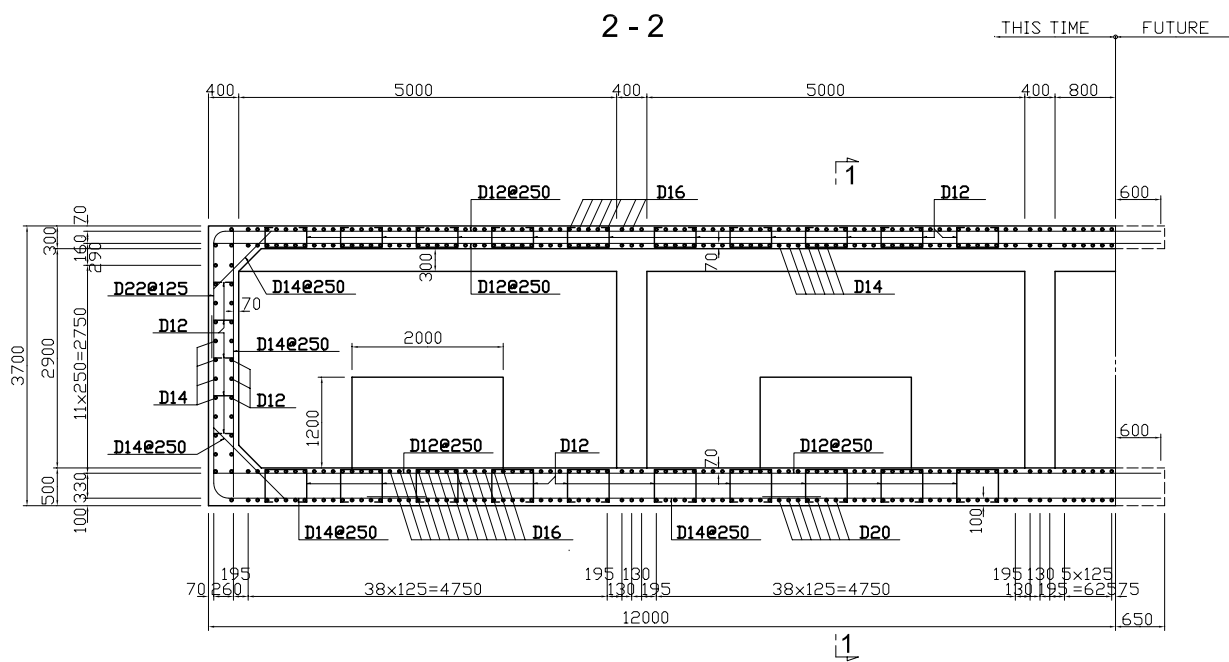
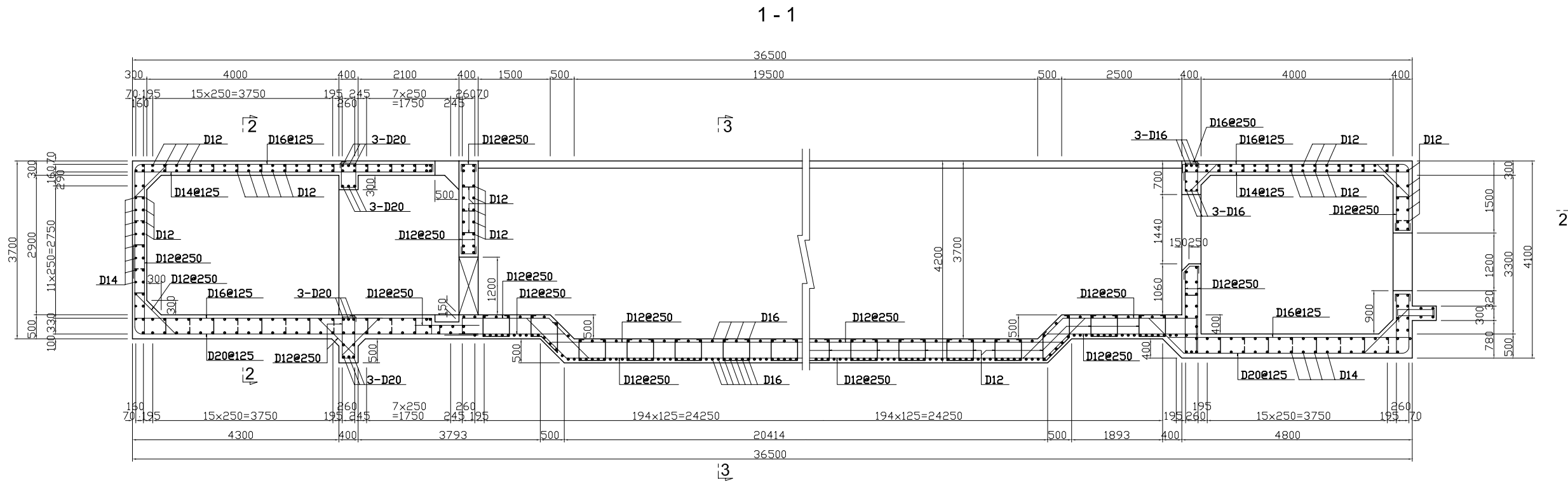




TEMPORARY WALL(2)



NO.	DATE	DESCRIPTIONS	BY	APRO.
REVISIONS				
PROJECT MANAGEMENT UNIT FOR HO CHI MINH CITY WATER ENVIRONMENT IMPROVEMENT				
THE DETAILED DESIGN STUDY ON HO CHI MINH CITY WATER ENVIRONMENT IMPROVEMENT PROJECT IN THE SOCIALIST REPUBLIC OF VIET NAM				
PACKAGE C INTERMEDIATE WASTEWATER PUMPING STATION BAR ARRANGEMENT OF INTAKE AND PUMP PIT (3/3)				
SCALE : 1 / 100				
 JAPAN INTERNATIONAL COOPERATION AGENCY ( JICA )				
 PACIFIC CONSULTANTS INTERNATIONAL				
DESIGNED KIMURA TORU			CHECKED KONDO MASAMI	
DATE : JUNE 2001		DWG. No. PC - IWPS - 214		





NO.	DATE	DESCRIPTIONS	BY	APRO.
REVISIONS				
PROJECT MANAGEMENT UNIT FOR HO CHI MINH CITY WATER ENVIRONMENT IMPROVEMENT				
THE DETAILED DESIGN STUDY ON HO CHI MINH CITY WATER ENVIRONMENT IMPROVEMENT PROJECT IN THE SOCIALIST REPUBLIC OF VIET NAM				
PACKAGE C INTERMEDIATE WASTEWATER PUMPING STATION				
BAR ARRANGEMENT OF GRIT CHAMBER				
SCALE : 1/50				
 JAPAN INTERNATIONAL COOPERATION AGENCY ( JICA )				
 PACIFIC CONSULTANTS INTERNATIONAL				
DESIGNED KIMURA TORU		CHECKED KONDO MASAMI		
DATE : JUNE 2001		DWG. No. PC - IWPS - 215		