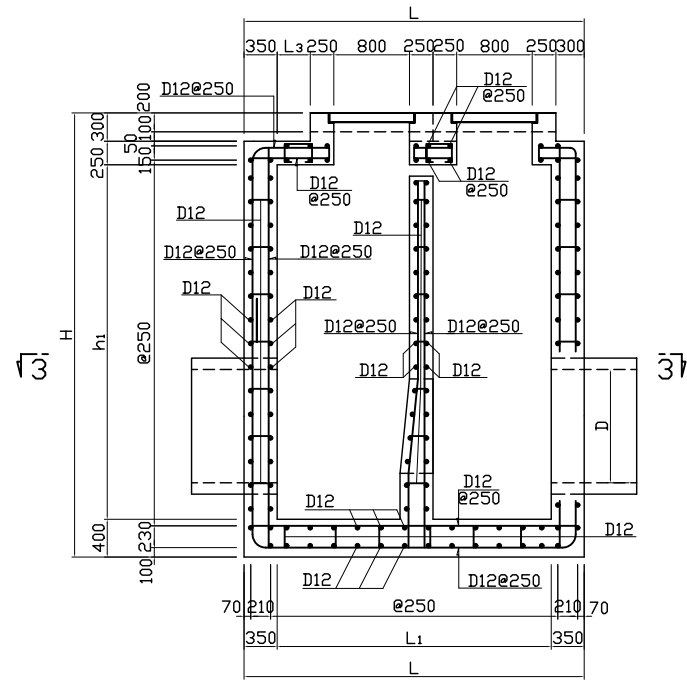
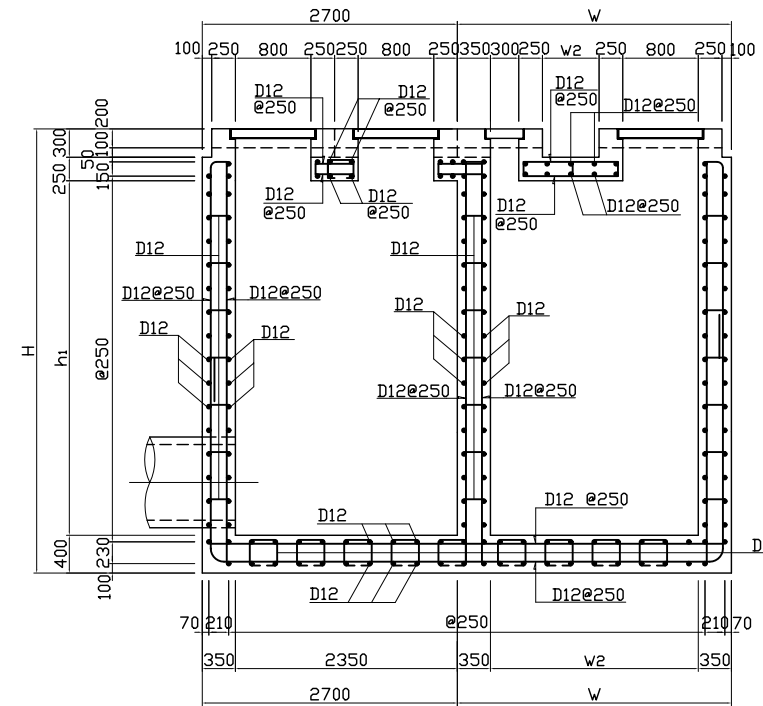


NO.	DATE	DESCRIPTIONS	BY	APRO.
REVISIONS				
PROJECT MANAGEMENT UNIT FOR HO CHI MINH CITY WATER ENVIRONMENT IMPROVEMENT				
THE DETAILED DESIGN ON HO CHI MINH CITY WATER ENVIRONMENT IMPROVEMENT PROJECT IN THE SOCIALIST REPUBLIC OF VIET NAM				
PACKAGE C INTERCEPTOR SEWER CONSTRUCTION TYPICAL BAR ARRANGEMENT OF DIVERSION CHAMBER TYPE DC 2				
SCALE : 1/40				
JICA		JAPAN INTERNATIONAL COOPERATION AGENCY ( JICA )		
PACIFIC CONSULTANTS INTERNATIONAL				
DESIGNED SATO NOBUYUKI		CHECKED KONDO MASAMI		
DATE : JUNE 2001		DWG. No. PC - ISC - 296		

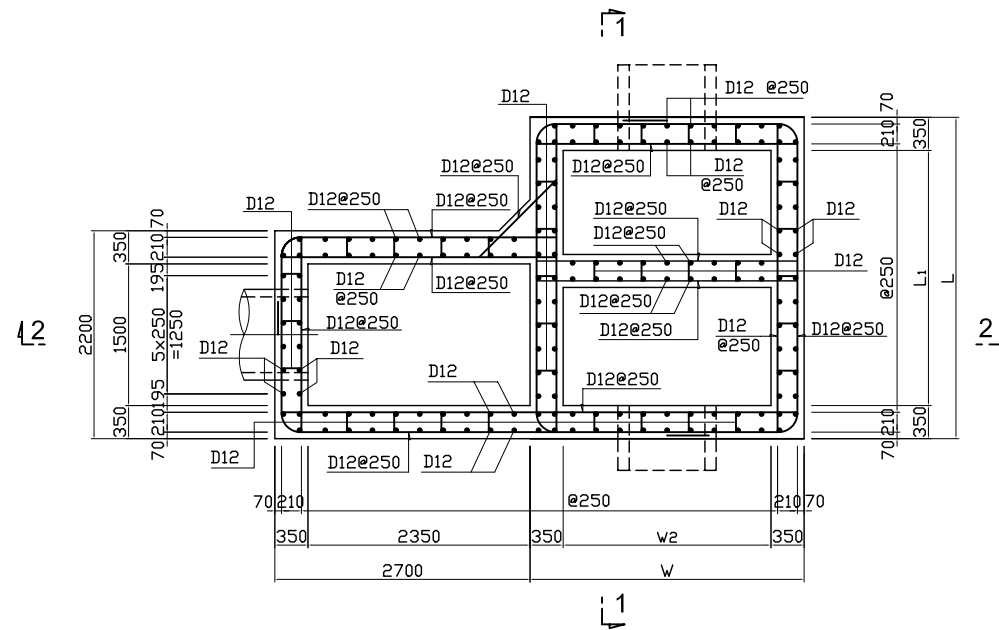
SECTION 1-1. Scale: 1/40



SECTION 2-2. Scale: 1/40



SECTION 3-3. Scale: 1/40




NO.	DATE	DESCRIPTIONS	BY	APRO.
-----	------	--------------	----	-------

REVISIONS

PROJECT MANAGEMENT UNIT FOR  
HO CHI MINH CITY  
WATER ENVIRONMENT IMPROVEMENT

THE DETAILED DESIGN STUDY ON HO CHI MINH CITY  
WATER ENVIRONMENT IMPROVEMENT PROJECT  
IN THE SOCIALIST REPUBLIC OF VIET NAM

PACKAGE C  
INTERCEPTOR SEWER CONSTRUCTION  
TYPICAL BAR ARRANGEMENT OF  
DIVERSION CHAMBER (3)  
TYPE DC 3

SCALE : 1:40

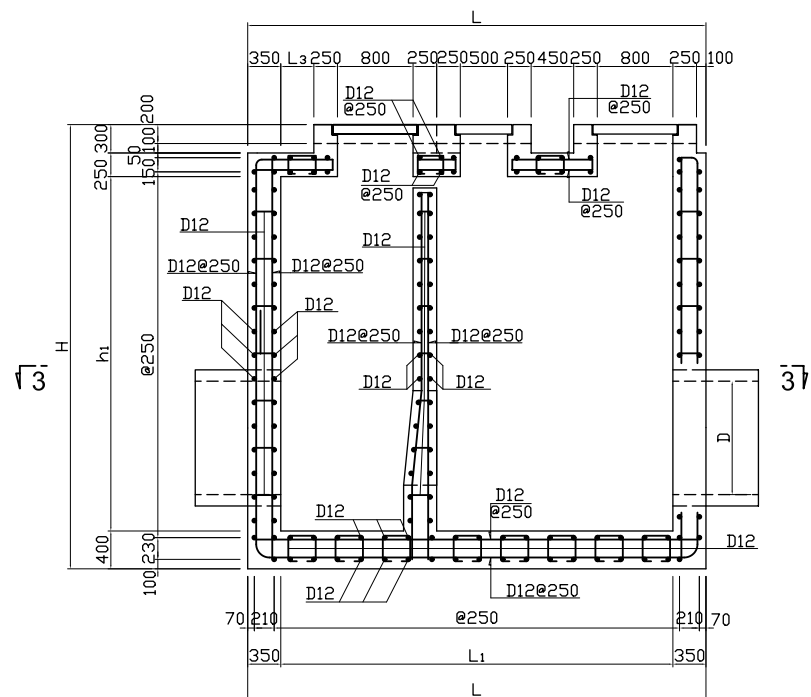
JICA JAPAN INTERNATIONAL COOPERATION  
AGENCY ( JICA )

PACIFIC CONSULTANTS INTERNATIONAL

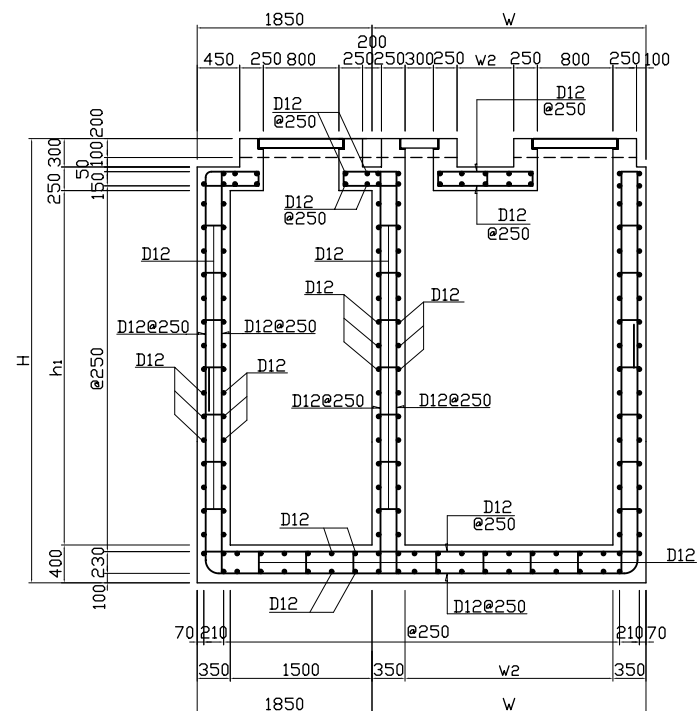
DESIGNED SATO NOBUYUKI	CHECKED KONDO MASAMI
---------------------------	-------------------------

DATE : JUNE 2001 DWG. No. PC - ISC - 304

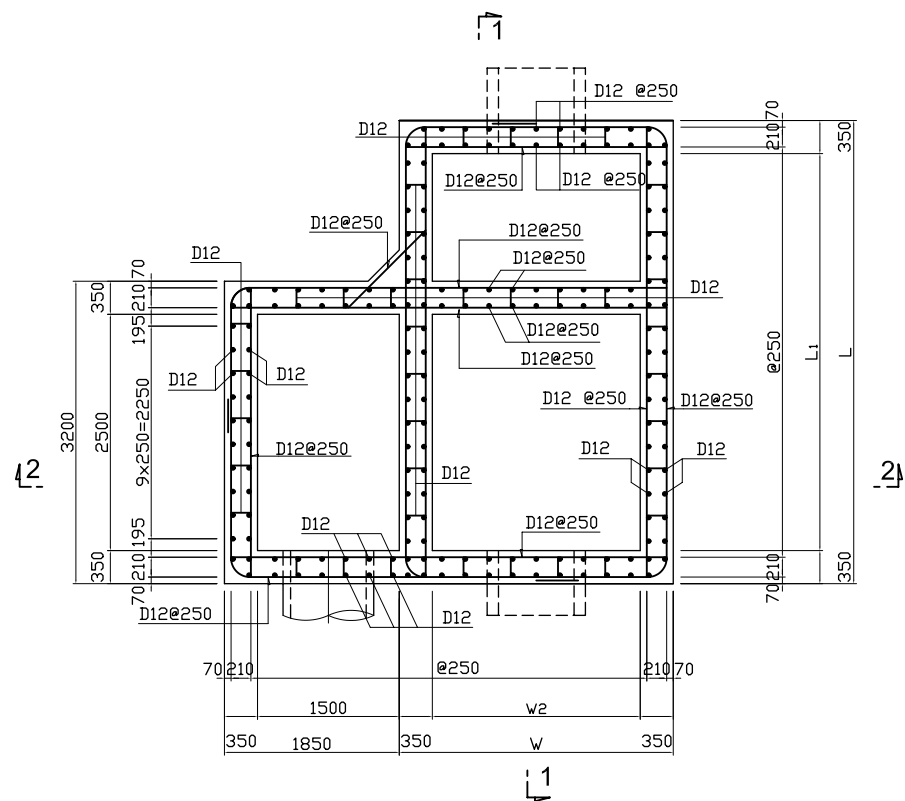
SECTION 1-1. Scale: 1/40





SECTION 2-2. Scale: 1/40

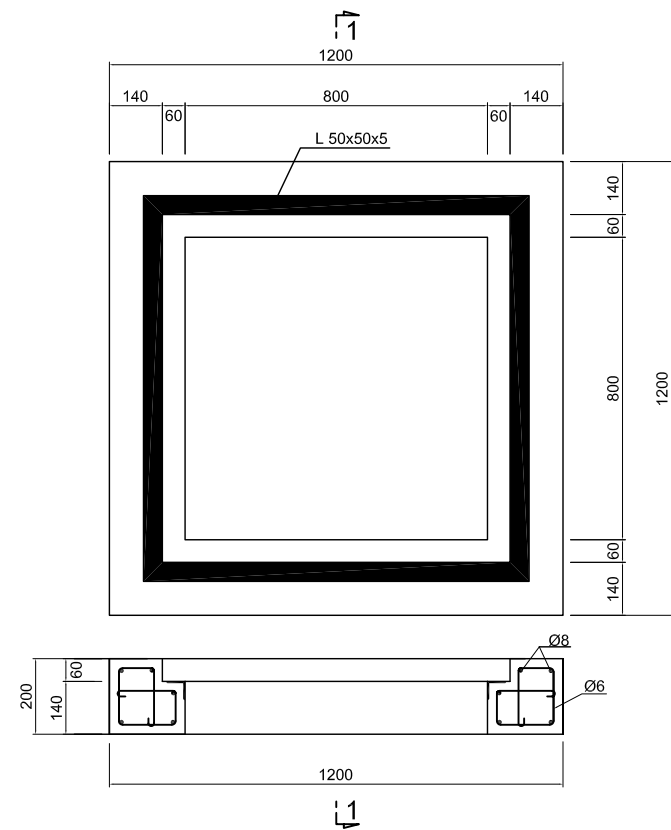


SECTION 3-3. Scale: 1/40

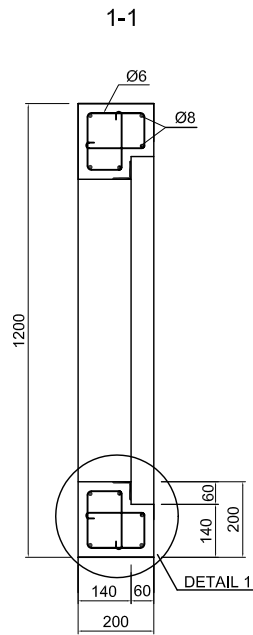


NO.	DATE	DESCRIPTIONS	BY	APPRO.
REVISIONS				
PROJECT MANAGEMENT UNIT FOR HO CHI MINH CITY WATER ENVIRONMENT IMPROVEMENT				
THE DETAILED DESIGN STUDY ON HO CHI MINH CITY WATER ENVIRONMENT IMPROVEMENT PROJECT IN THE SOCIALIST REPUBLIC OF VIET NAM				
PACKAGE C INTERCEPTOR SEWER CONSTRUCTION TYPICAL BAR ARRANGEMENT OF DIVERSION CHAMBER (4) TYPE DC 4				
SCALE : 1:40				
 JAPAN INTERNATIONAL COOPERATION AGENCY ( JICA )				
 PACIFIC CONSULTANTS INTERNATIONAL				
DESIGNED SATO NOBUYUKI	CHECKED KONDO MASAMI			
DATE : JUNE 2001	DWG. No. PC - ISC - 305			

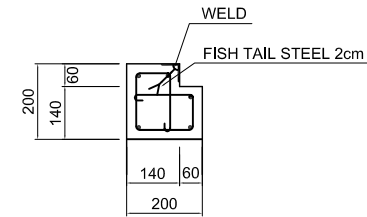




TYPE MF1 SCALE : 1/10

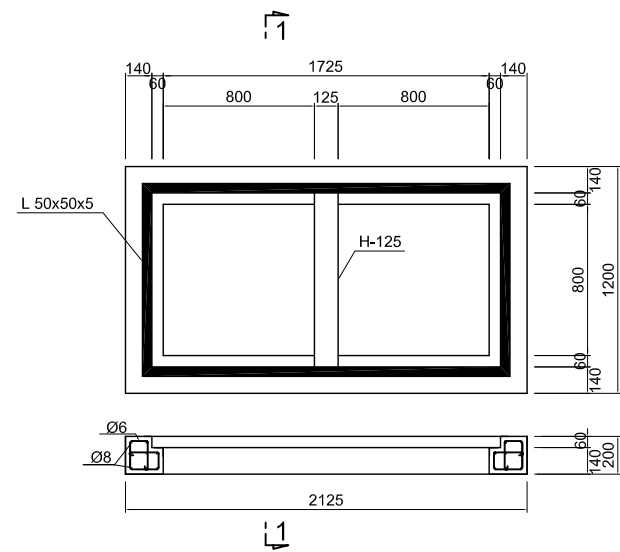


DETAIL 1

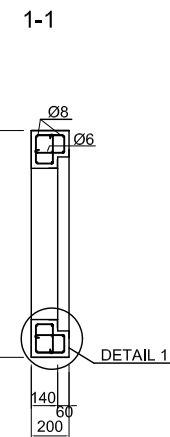


TYPE OF MANHOLE COVER

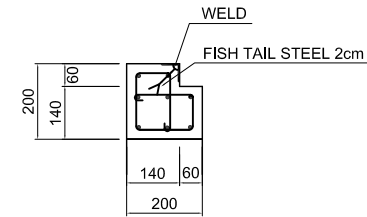
TYPE OF COVER	TYPE OF LID	TYPE OF FRAME
MC - A	ML - 1	MF - 1
MC - B	ML - 2	MF - 1
MC - E	ML - 2	MF - 2
MC - G	ML - 2	MF - 3
MC - H	ML - 3	MF - 4



TYPE MF2 Scale : 1/20

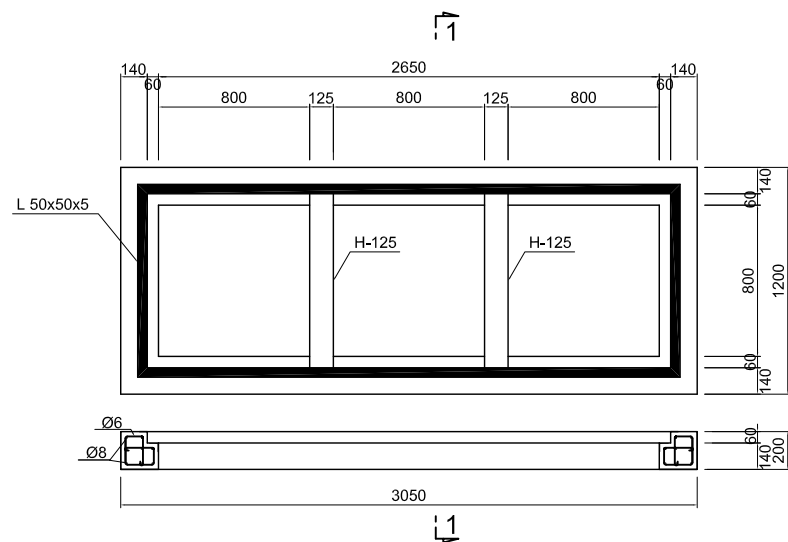


DETAIL 1 Scale: 1/10

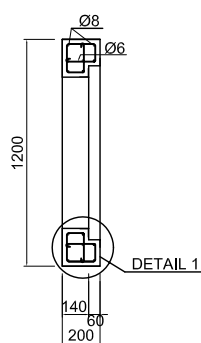


TYPE MF3

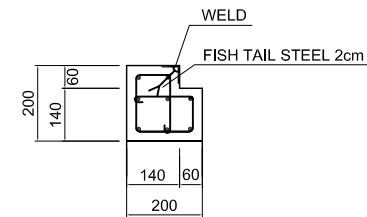
Scale : 1/20



1-1 Scale : 1/20



DETAIL 1 Scale: 1/10



NO.	DATE	DESCRIPTIONS	BY	APRO.

REVISIONS				

PROJECT MANAGEMENT UNIT FOR  
HO CHI MINH CITY  
WATER ENVIRONMENT IMPROVEMENT

THE DETAILED DESIGN STUDY ON HO CHI MINH CITY  
WATER ENVIRONMENT IMPROVEMENT PROJECT  
IN THE SOCIALIST REPUBLIC OF VIET NAM

PACKAGE C  
INTERCEPTOR SEWER CONSTRUCTION  
DETAILS OF MANHOLE COVER (2)

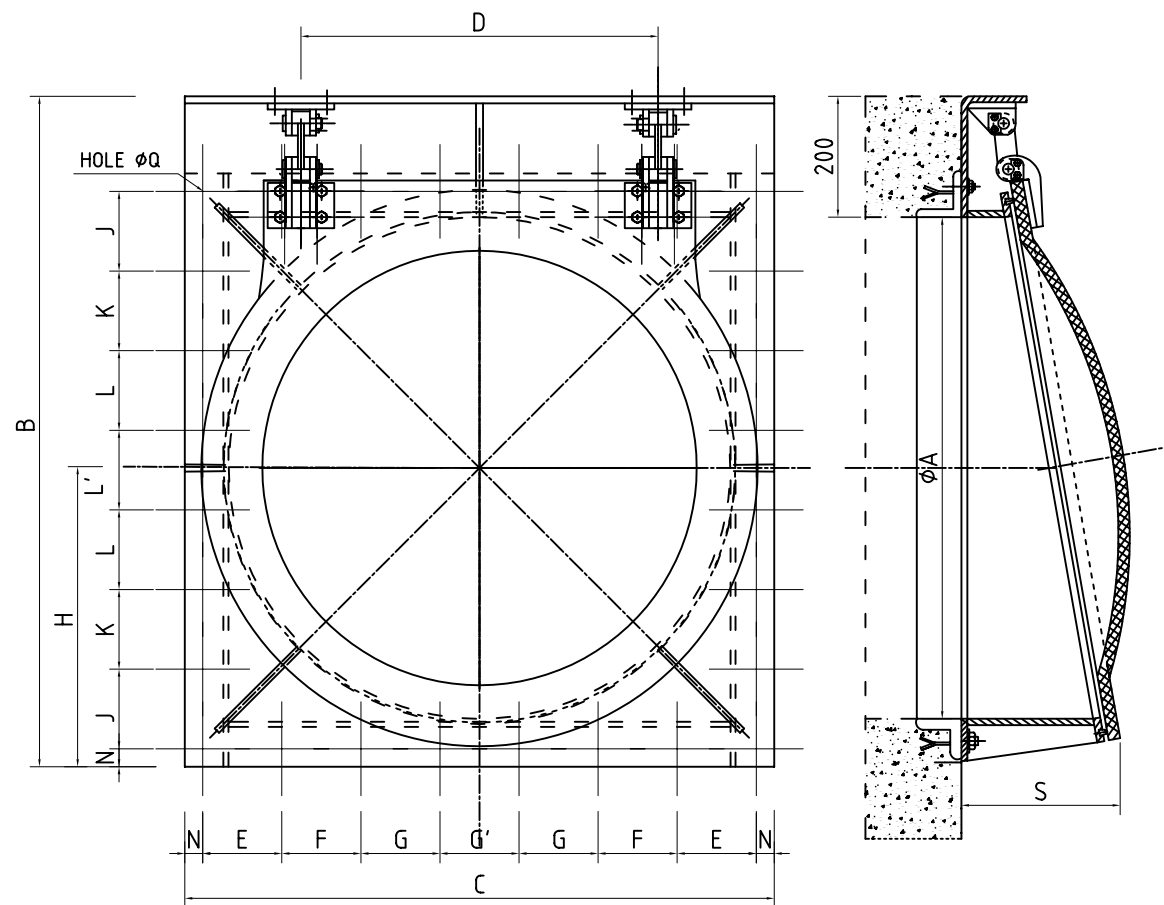
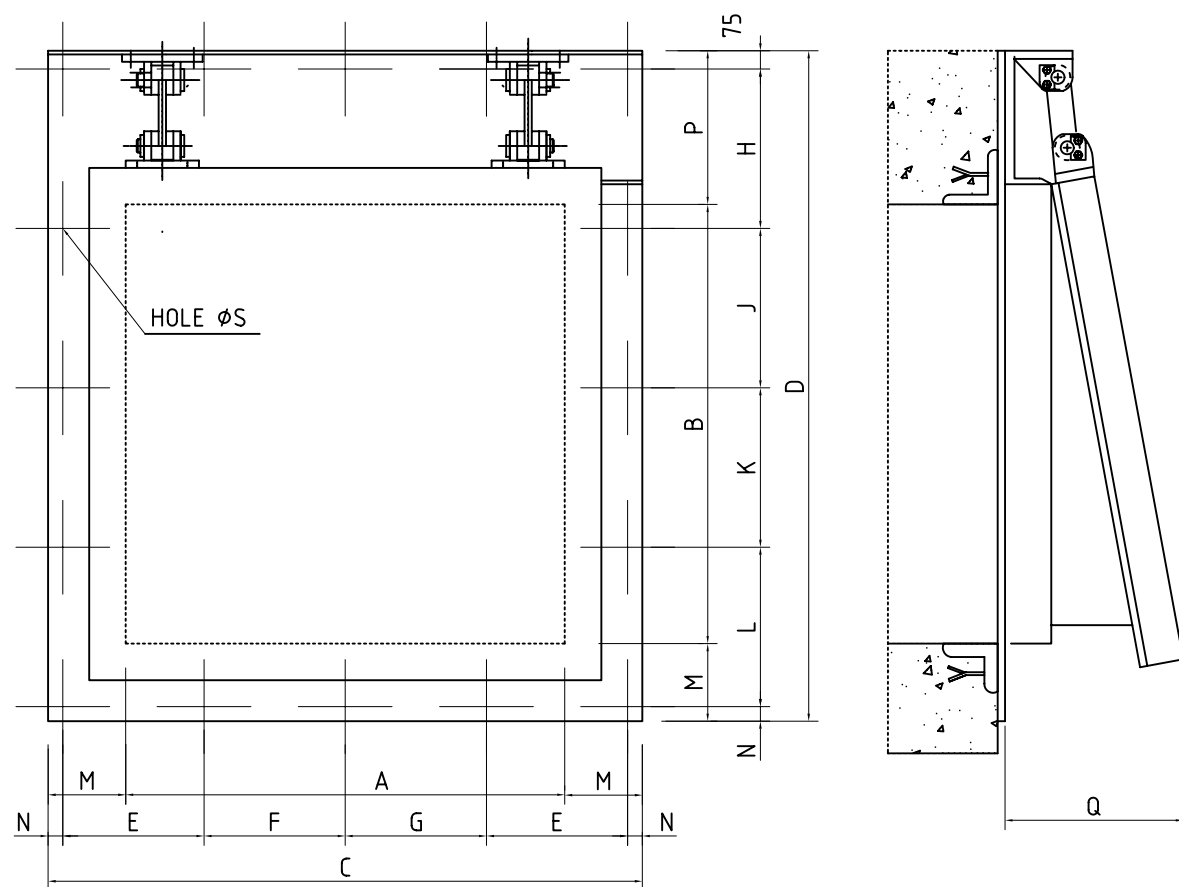
SCALE : AS SHOWN

JICA JAPAN INTERNATIONAL COOPERATION  
AGENCY ( JICA )

PACIFIC CONSULTANTS INTERNATIONAL

DESIGNED SATO NOBUYUKI	CHECKED KONDO MASAMI
---------------------------	-------------------------

DATE : JUNE 2001 DWG. No. PC - ISC - 307



A	B	C	D	E	F	G	H	J	K	L	M	N	P	Q	n	S
1500	1500	1770	1845	567	566	-	578	579	-	578	135	35	210	240	12	20
2000	2000	2320	2370	563	562	562	565	565	565	565	160	35	210	280	16	25
2200	2200	2520	2570	612	613	613	602	603	603	602	160	35	210	280	16	25

A	B	C	D	E	F	G	G'	H	J	K	L	L'	N	P	Q	S
600	875	750	450	233	-	-	234	375	233	-	-	234	25	12	13	165
800	1075	950	600	180	180	-	180	475	180	180	-	180	25	20	13	215
900	1175	1050	650	200	200	-	200	525	200	200	-	200	25	20	13	220
1000	1275	1150	700	220	220	-	220	600	220	220	-	220	25	20	13	228
1200	1485	1350	800	260	260	-	260	675	260	260	-	260	25	20	20	255
1500	1840	1700	1000	233	233	233	232	850	233	233	233	232	35	28	20	290
1800	2140	2000	1200	276	276	276	274	1000	276	276	276	274	35	28	25	310
2000	2340	2200	1400	304	304	304	306	1100	304	304	304	306	35	28	25	362

NO.	DATE	DESCRIPTIONS	BY	APRO.

REVISIONS

PROJECT MANAGEMENT UNIT FOR  
HO CHI MINH CITY  
WATER ENVIRONMENT IMPROVEMENT

THE DETAILED DESIGN STUDY ON HO CHI MINH CITY  
WATER ENVIRONMENT IMPROVEMENT PROJECT  
IN THE SOCIALIST REPUBLIC OF VIET NAM

PACKAGE C  
INTERCEPTOR SEWER CONSTRUCTION

DETAIL OF FLAP GATE

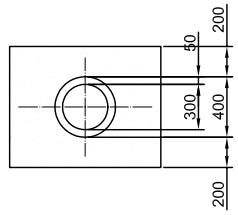
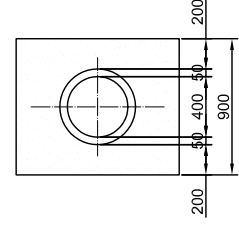
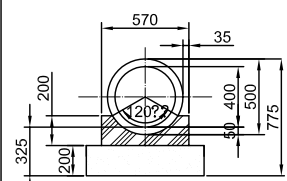
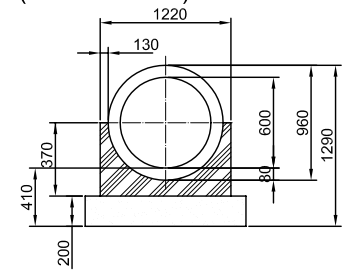
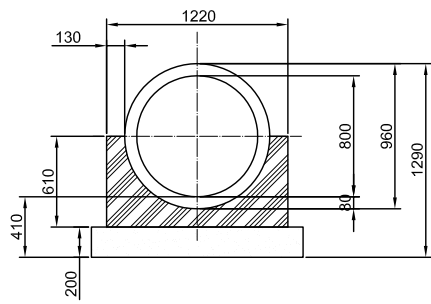
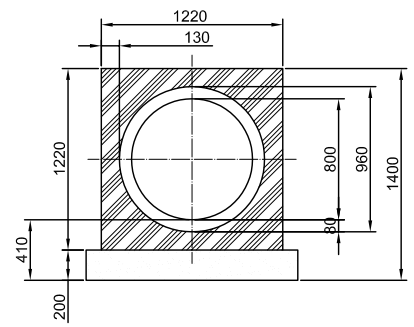
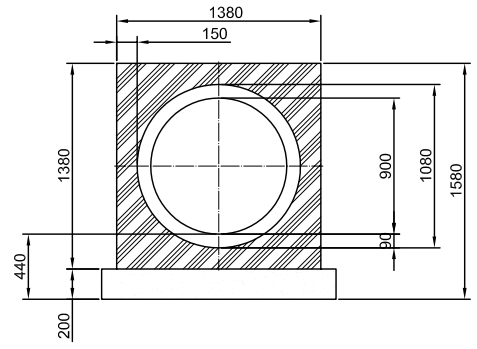
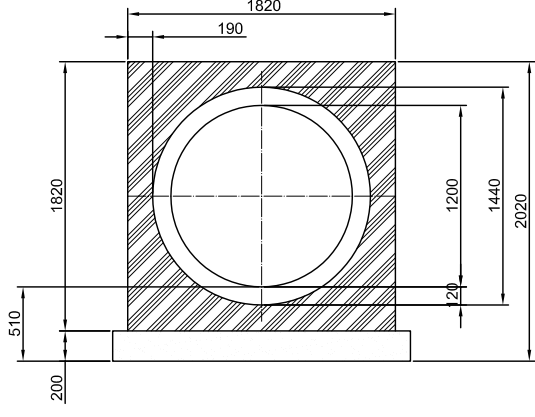
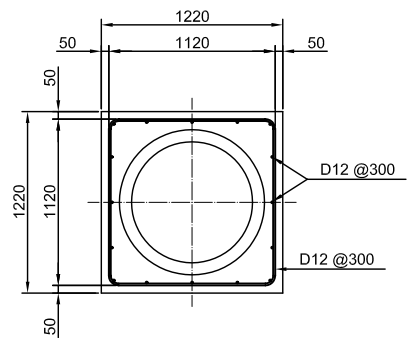
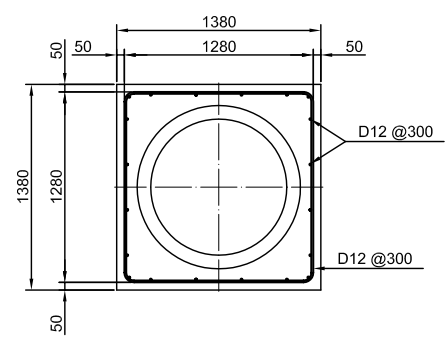
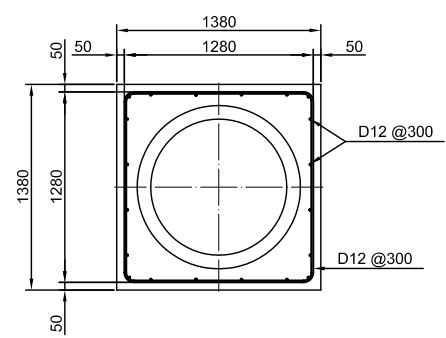
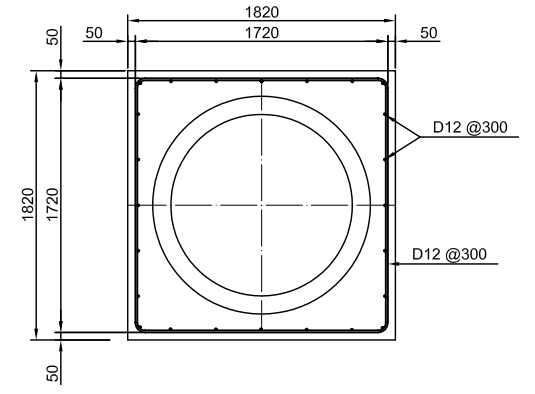
SCALE :



JICA JAPAN INTERNATIONAL COOPERATION  
AGENCY ( JICA )

PACIFIC CONSULTANTS INTERNATIONAL

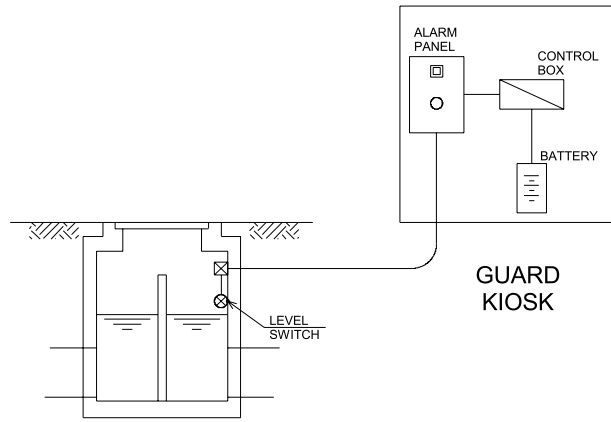
DESIGNED SATO NOBUYUKI CHECKED KONDO MASAMI

DATE : JUNE 2001 DWG. No. PC- ISC - 308

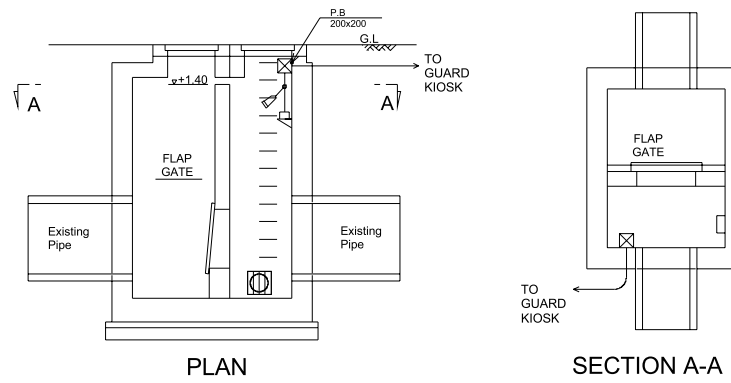
<b>D=300</b> Pipe TYPE-2 class	<b>D=400</b> Pipe TYPE-2 class	<b>D=500</b> Pipe TYPE-2 class	<b>D=600</b> Pipe TYPE-2 class
Sand	Sand	Concrete 120deg	Concrete 180deg
Maximum Excavation Depth =5,500m	Maximum Excavation Depth =6,000m	Maximum Excavation Depth =7,100m	Maximum Excavation Depth =7,500m
IE1(4.552 ~ 4.635) 	IE2~IE4 (4.735 ~ 6.000) 	IE4 (6.000 ~ 6.389) 	IE7~IE8 (7.132 ~ 7.201) 
<b>D=800</b> Pipe TYPE-2 class	<b>D=800</b> Pipe TYPE-1 class	<b>D=900</b> Pipe TYPE-1 class	<b>D=1200</b> Pipe TYPE-1 class
Concrete 180deg	Concrete 360deg	Concrete 360deg	Concrete 360deg
Maximum Excavation Depth =7,500m	Maximum Excavation Depth =13.200m	Maximum Excavation Depth =13.500m	Maximum Excavation Depth =11.100m
IE9~IE10 (7.385 ~ 7.500) 	IE10~IE14 (7.500 ~ 8.865) 	IE15~IE16 (9.005 ~ 9.587) 	IE17 (9.987 ~ 10.029) 
			

A	10/JAN	DETAIL CHANGED		
NO.	DATE	DESCRIPTIONS	BY	APRO.
REVISIONS				
PROJECT MANAGEMENT UNIT FOR HO CHI MINH CITY WATER ENVIRONMENT IMPROVEMENT				
THE DETAILED DESIGN ON HO CHI MINH CITY WATER ENVIRONMENT IMPROVEMENT PROJECT IN THE SOCIALIST REPUBLIC OF VIET NAM				
PACKAGE C INTERCEPTOR SEWER CONSTRUCTION				
TYPICAL SECTION OF PIPE BEDDING FOR INTERCEPTOR SEWER				
SCALE : AS SHOWN				
 JAPAN INTERNATIONAL COOPERATION AGENCY ( JICA )				
 PACIFIC CONSULTANTS INTERNATIONAL				
DESIGNED SATO NOBUYUKI	CHECKED KONDO MASAMI			
DATE : JUNE 2001	DWG. No. PC - ISC - 309			

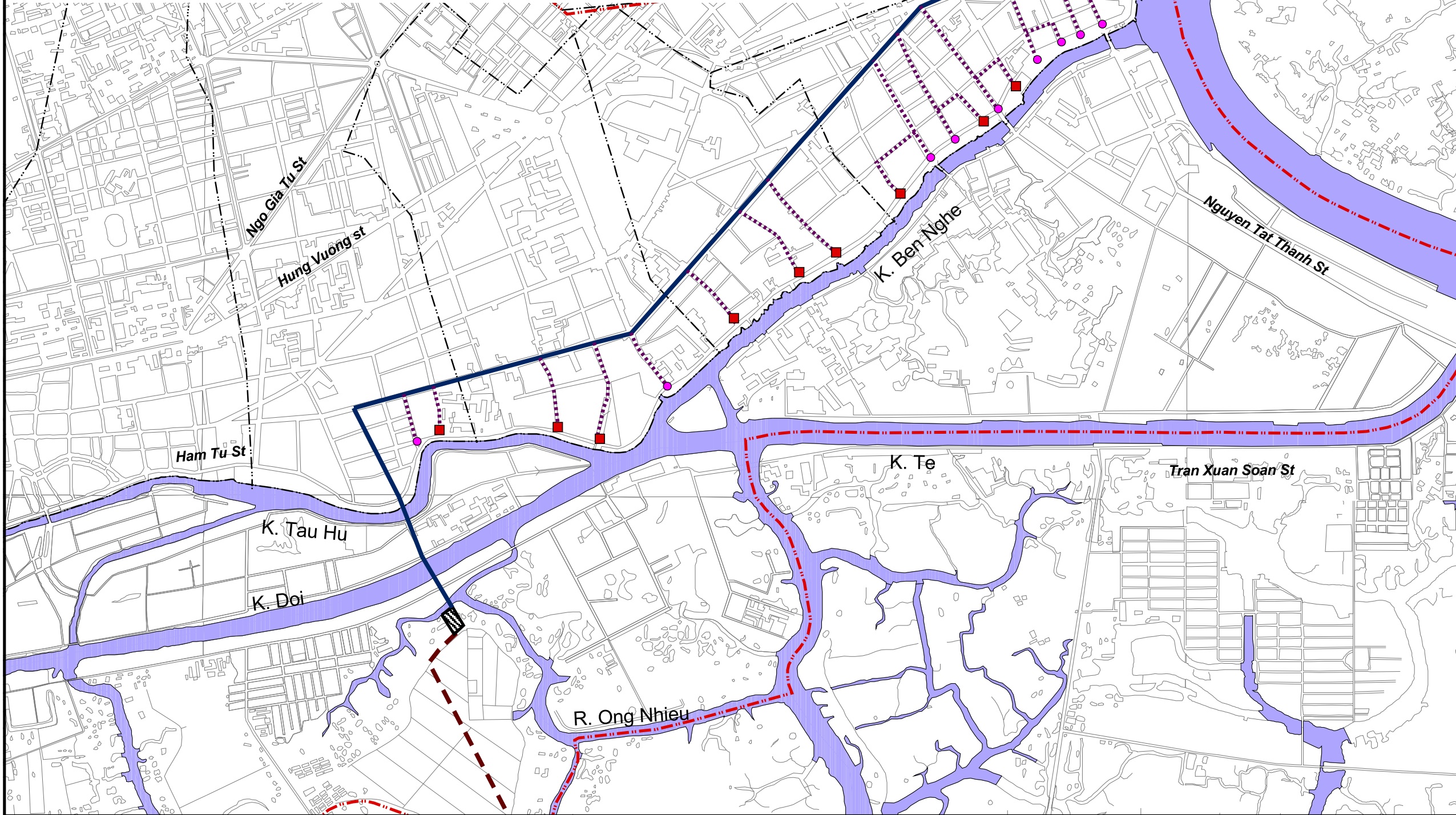
DIVERSION CHAMBER WATER LEVEL ALARM SYSTEM



TYPICAL PLAN AND SECTION OF DIVERSION CHAMBER WITH LEVEL SWITCH



DIVERSION CHAMBER



**LEGEND**

- Diversion Chamber with Water Level Alarm
- Diversion Chamber without Water Level Alarm
- ⋯ Secondary Interceptor Sewer
- Main Interceptor Sewer
- - - Conveyance Sewer
- ▨ Intermediate Pumping Station

NO.	DATE	DESCRIPTIONS	BY	APRO.
REVISIONS				
PROJECT MANAGEMENT UNIT FOR HO CHI MINH CITY WATER ENVIRONMENT IMPROVEMENT				
THE DETAILED DESIGN ON HO CHI MINH CITY WATER ENVIRONMENT IMPROVEMENT PROJECT IN THE SOCIALIST REPUBLIC OF VIET NAM				
PACKAGE C INTERCEPTOR SEWER CONSTRUCTION  DIVERSION CHAMBER WATER LEVEL ALARM SYSTEM				
SCALE : 1 / 10000				
JAPAN INTERNATIONAL COOPERATION AGENCY ( JICA )				
PACIFIC CONSULTANTS INTERNATIONAL				
DESIGNED		CHECKED		
SATO NOBUYUKI		KONDO MASAMI		
DATE : JUNE 2001		DWG. No. PC - ISC - 310		