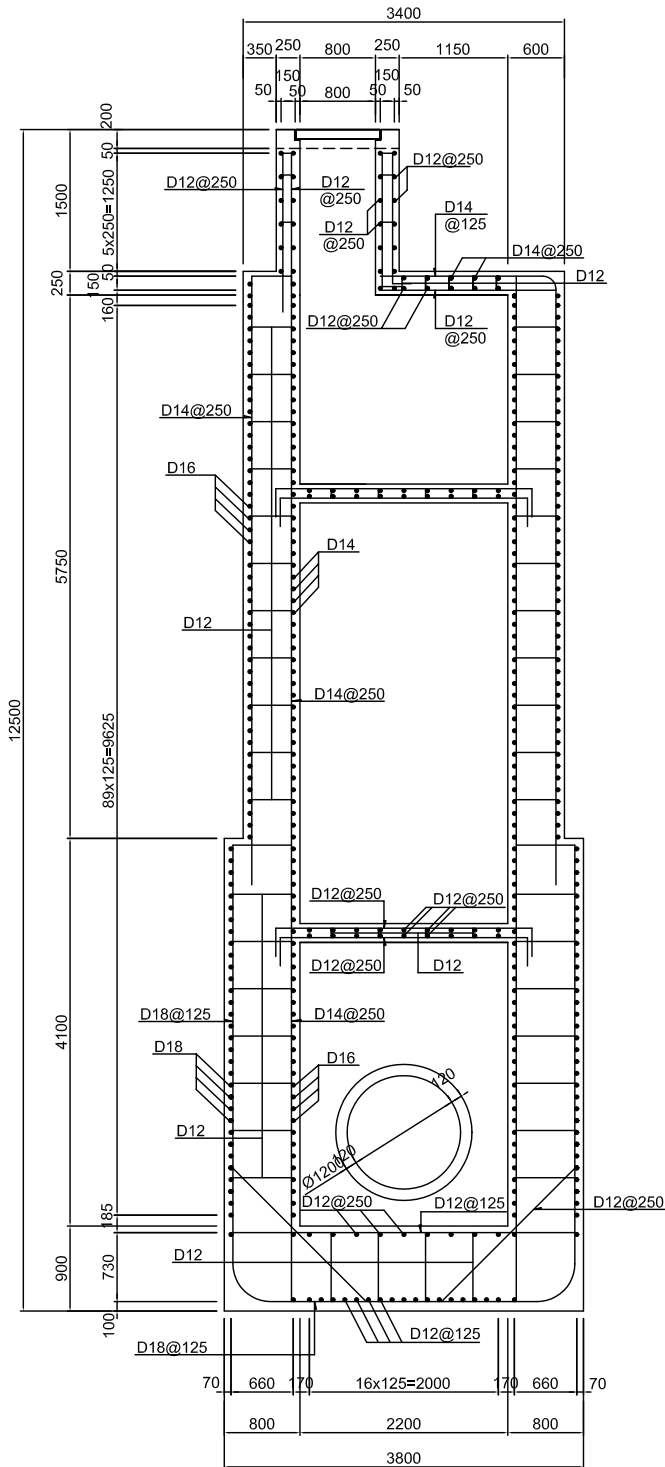
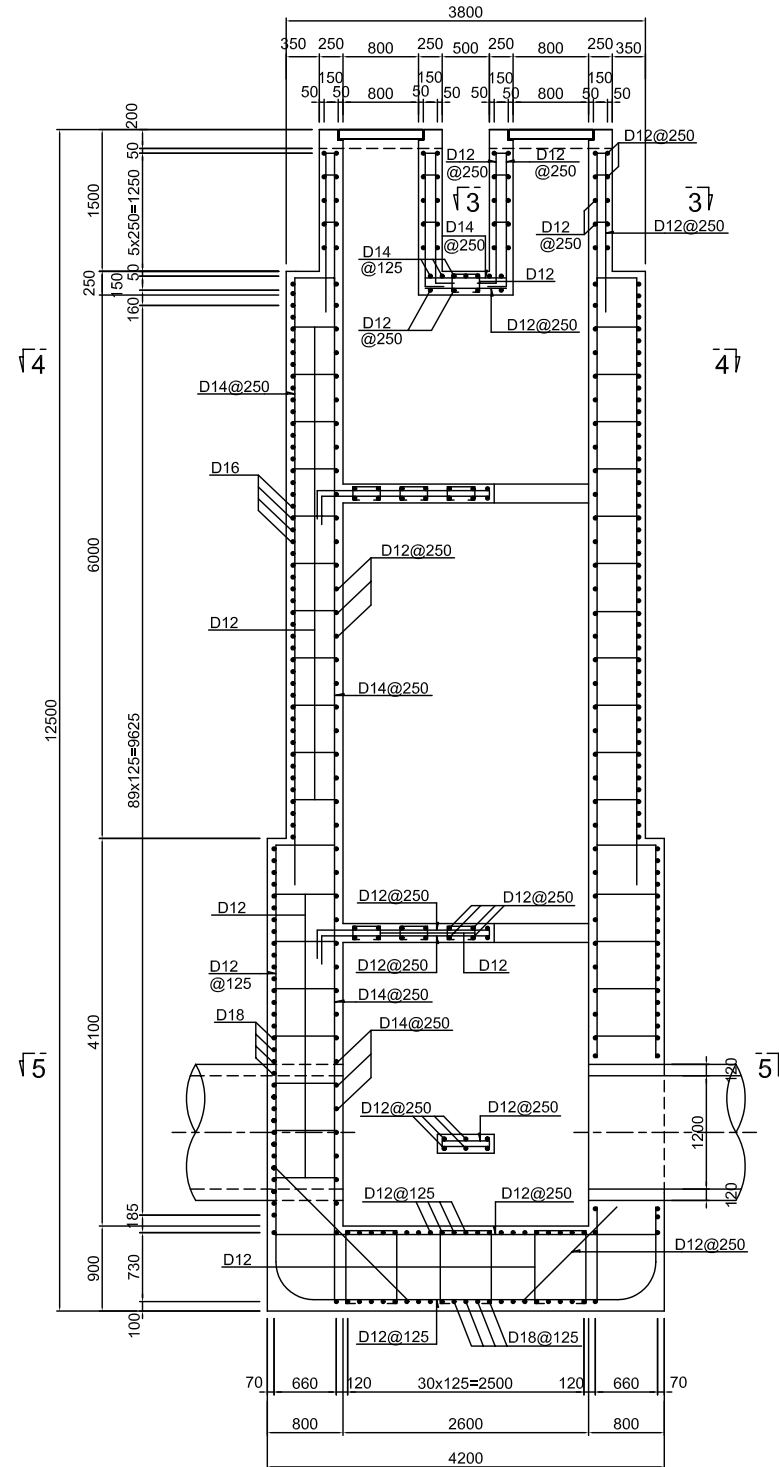


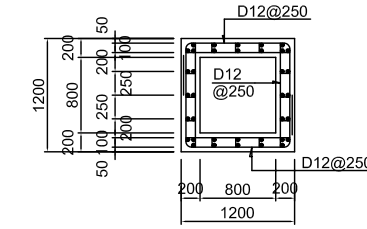
1-1



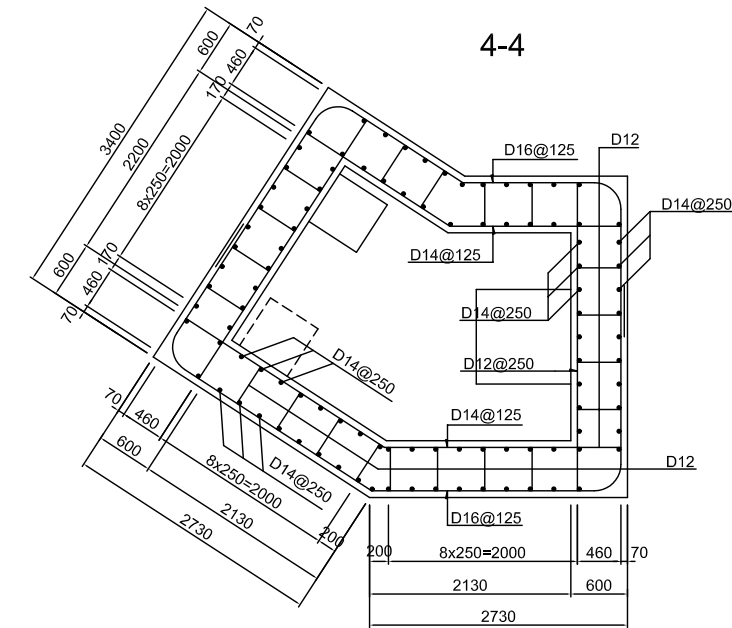
2-2



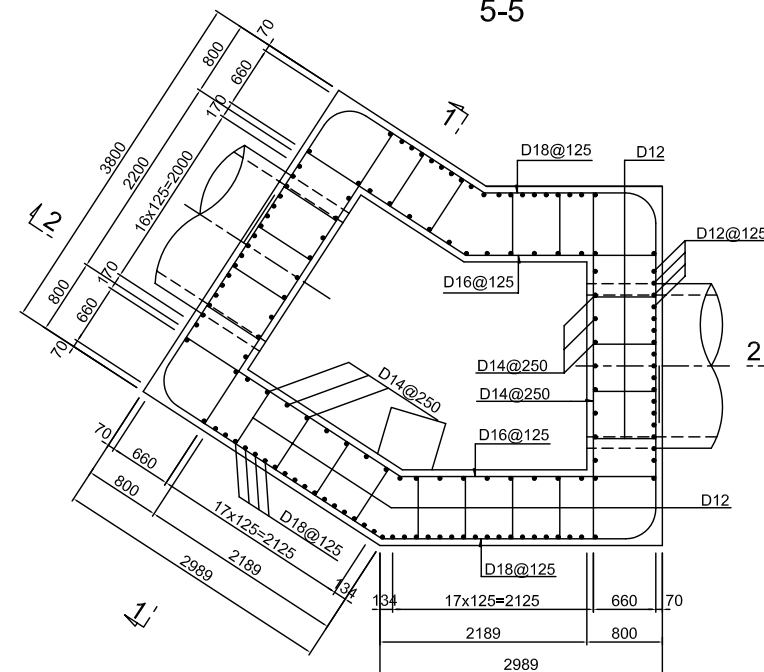
3-3



4-4



5-5



NO.	DATE	DESCRIPTIONS	BY	APRO.

REVISIONS

PROJECT MANAGEMENT UNIT FOR
HO CHI MINH CITY
WATER ENVIRONMENT IMPROVEMENT

THE DETAILED DESIGN ON HO CHI MINH CITY
WATER ENVIRONMENT IMPROVEMENT PROJECT
IN THE SOCIALIST REPUBLIC OF VIET NAM

PACKAGE C
INTERCEPTOR SEWER CONSTRUCTION
TYPICAL BAR ARRANGEMENT OF
MAIN INTERCEPTOR MANHOLE (5)
TYPE SPM5 (Ø800-Ø1200)

SCALE : 1/40

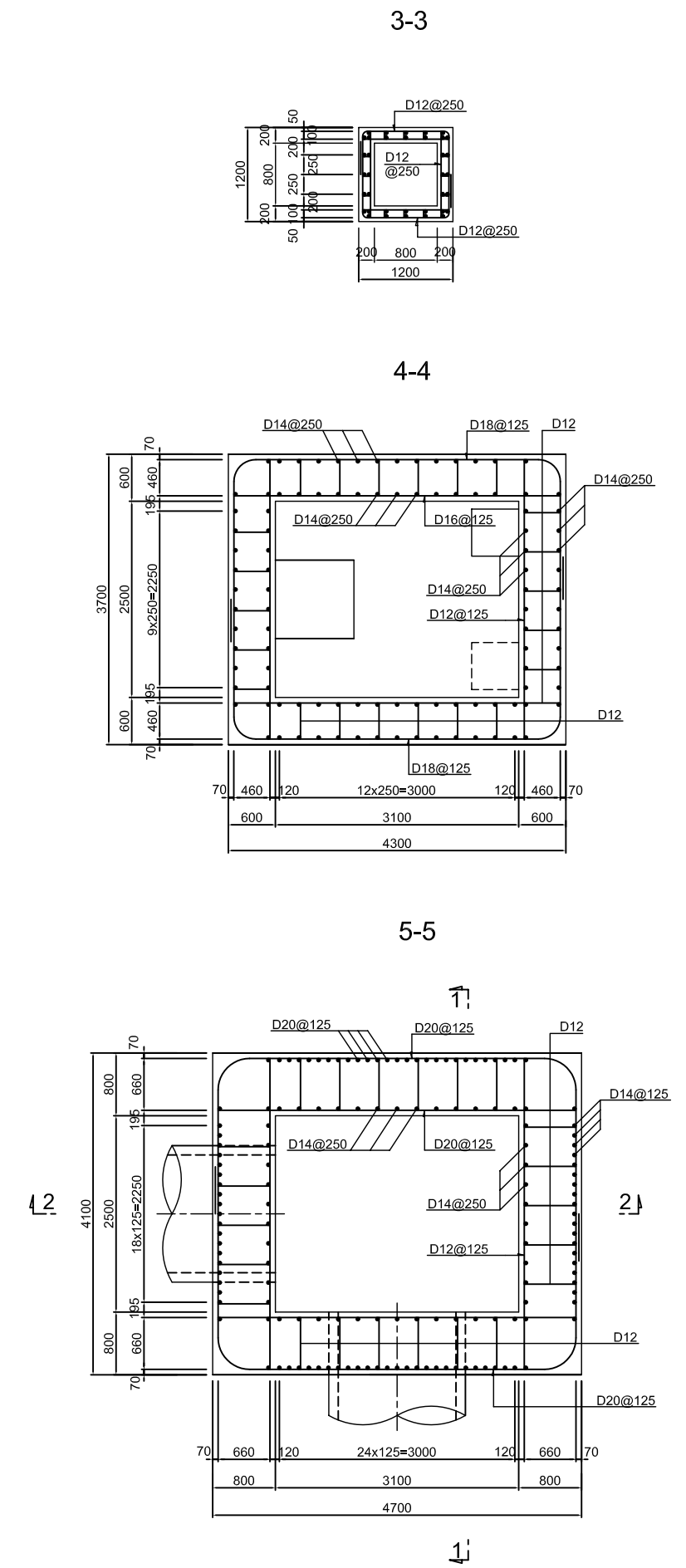
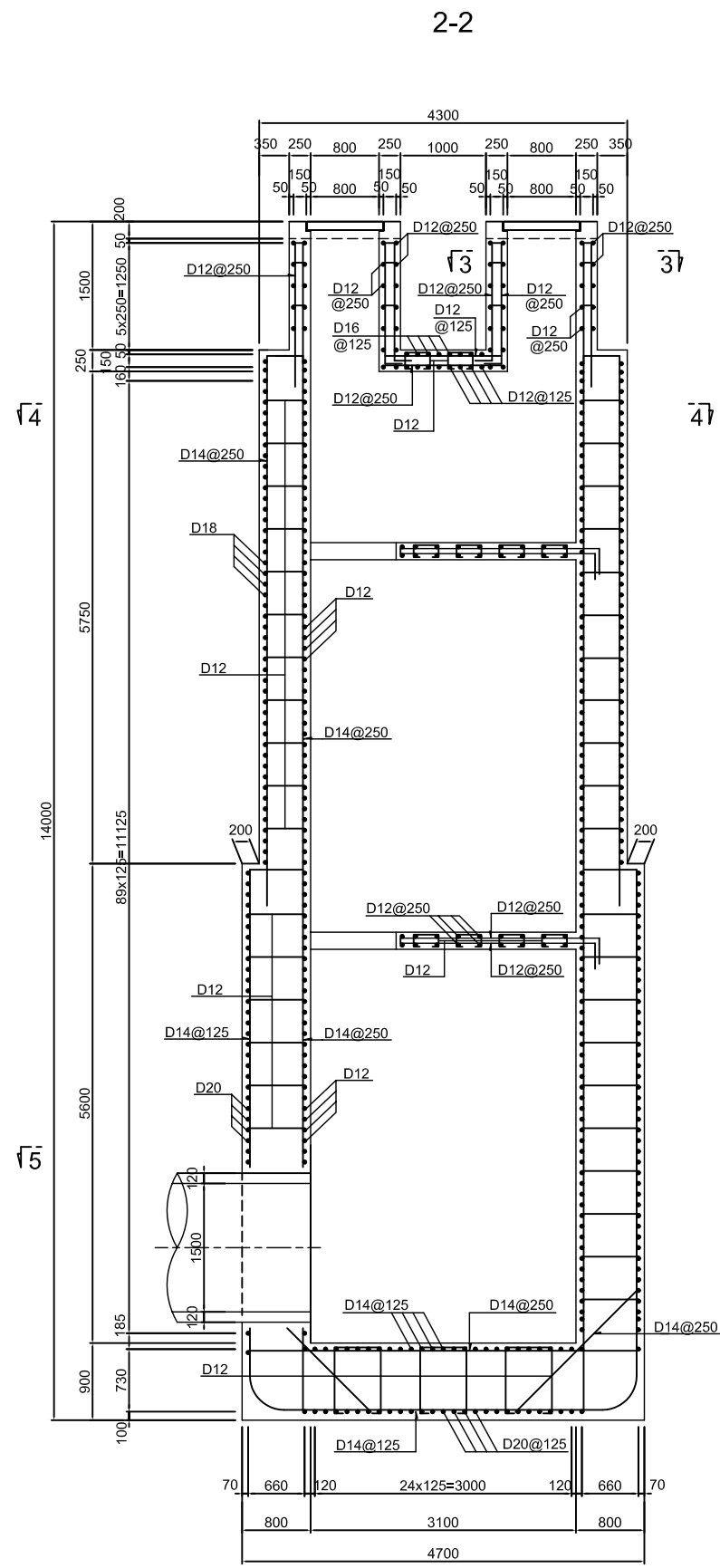
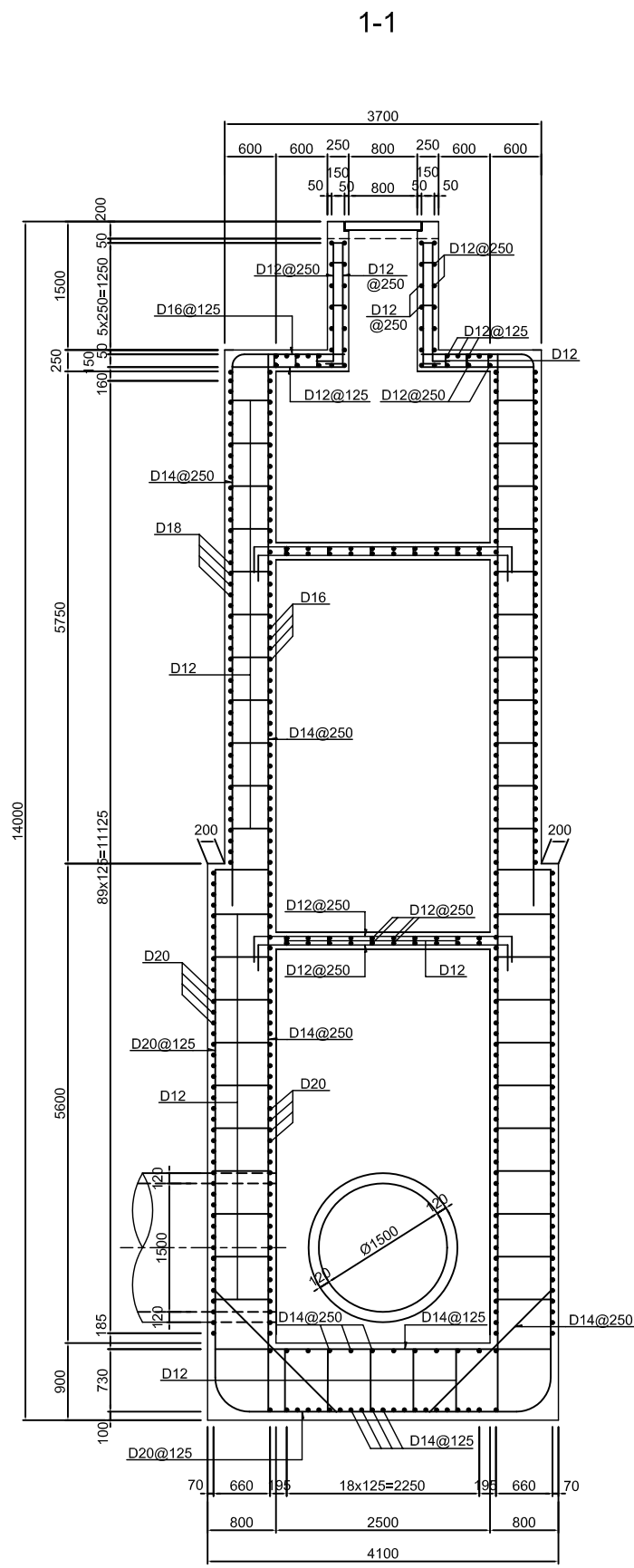
JICA JAPAN INTERNATIONAL COOPERATION
AGENCY (JICA)

PACIFIC CONSULTANTS INTERNATIONAL

DESIGNED
SATO NOBUYUKI

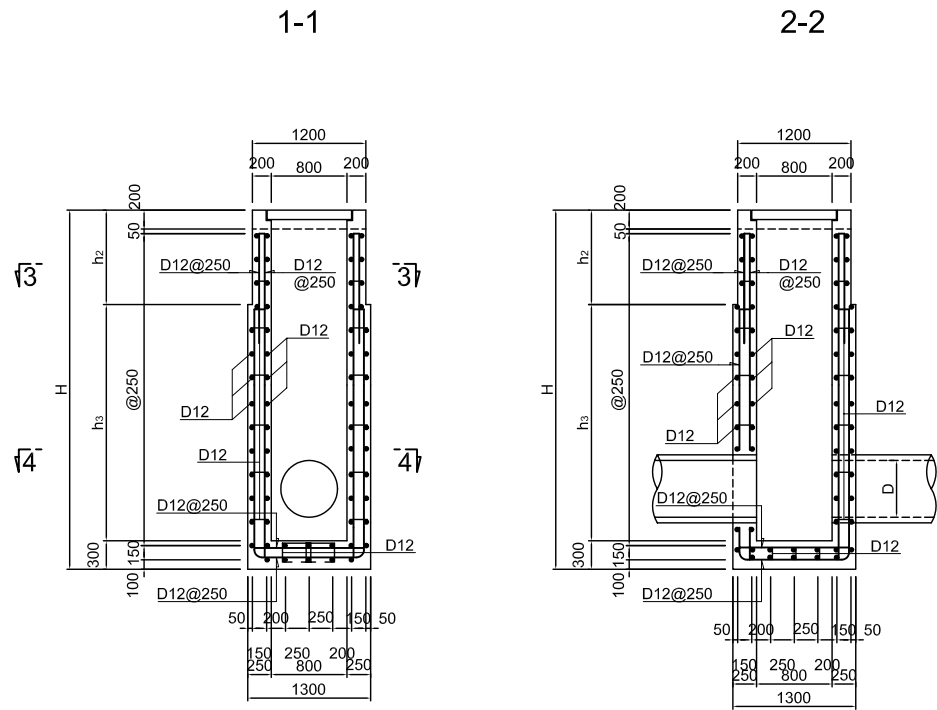
CHECKED
KONDO MASAMI

DATE : JUNE 2001 DWG. No. PC - ISC - 294

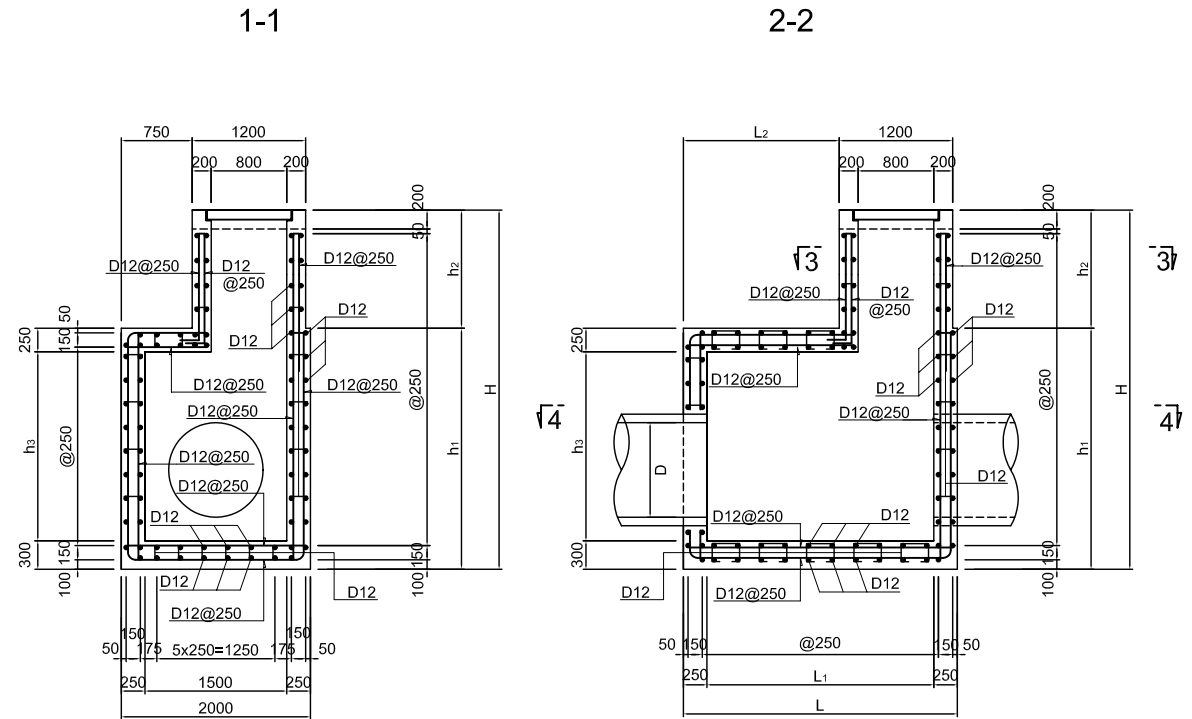


NO.	DATE	DESCRIPTIONS	BY	APRO.
REVISIONS				
PROJECT MANAGEMENT UNIT FOR HO CHI MINH CITY WATER ENVIRONMENT IMPROVEMENT				
THE DETAILED DESIGN ON HO CHI MINH CITY WATER ENVIRONMENT IMPROVEMENT PROJECT IN THE SOCIALIST REPUBLIC OF VIET NAM				
PACKAGE C INTERCEPTOR SEWER CONSTRUCTION TYPICAL BAR ARRANGEMENT OF MAIN INTERCEPTOR MANHOLE (6) TYPE SPM6				
SCALE : 1/40				
JAPAN INTERNATIONAL COOPERATION AGENCY (JICA)				
PACIFIC CONSULTANTS INTERNATIONAL				
DESIGNED SATO NOBUYUKI		CHECKED KONDO MASAMI		
DATE : JUNE 2001		DWG. No. PC - ISC - 295		

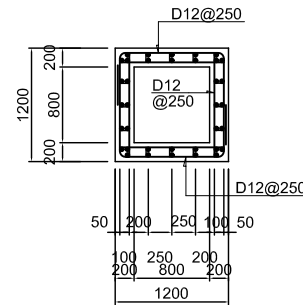
TYPE 1



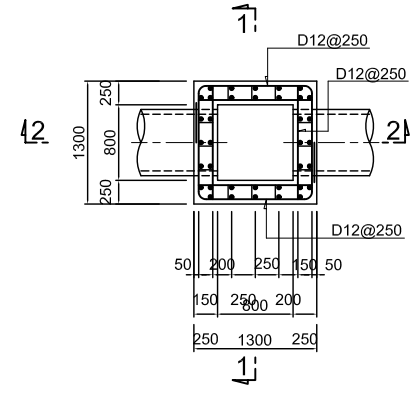
TYPE 2



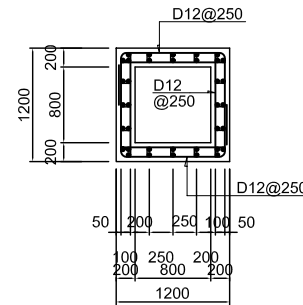
3-3



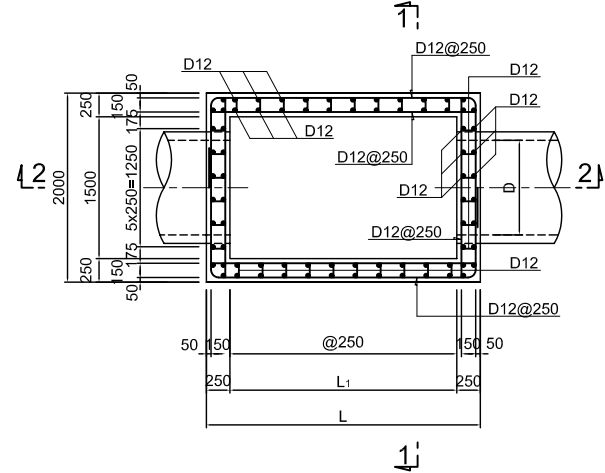
4-4



3-3



4-4



NO.	DATE	DESCRIPTIONS	BY	APRO.
-----	------	--------------	----	-------

REVISIONS

PROJECT MANAGEMENT UNIT FOR
HO CHI MINH CITY
WATER ENVIRONMENT IMPROVEMENT

THE DETAILED DESIGN ON HO CHI MINH CITY
WATER ENVIRONMENT IMPROVEMENT PROJECT
IN THE SOCIALIST REPUBLIC OF VIET NAM

PACKAGE C
INTERCEPTOR SEWER CONSTRUCTION

TYPICAL BAR ARRANGEMENT
OF MANHOLE FOR SECONDARY
INTERCEPTOR

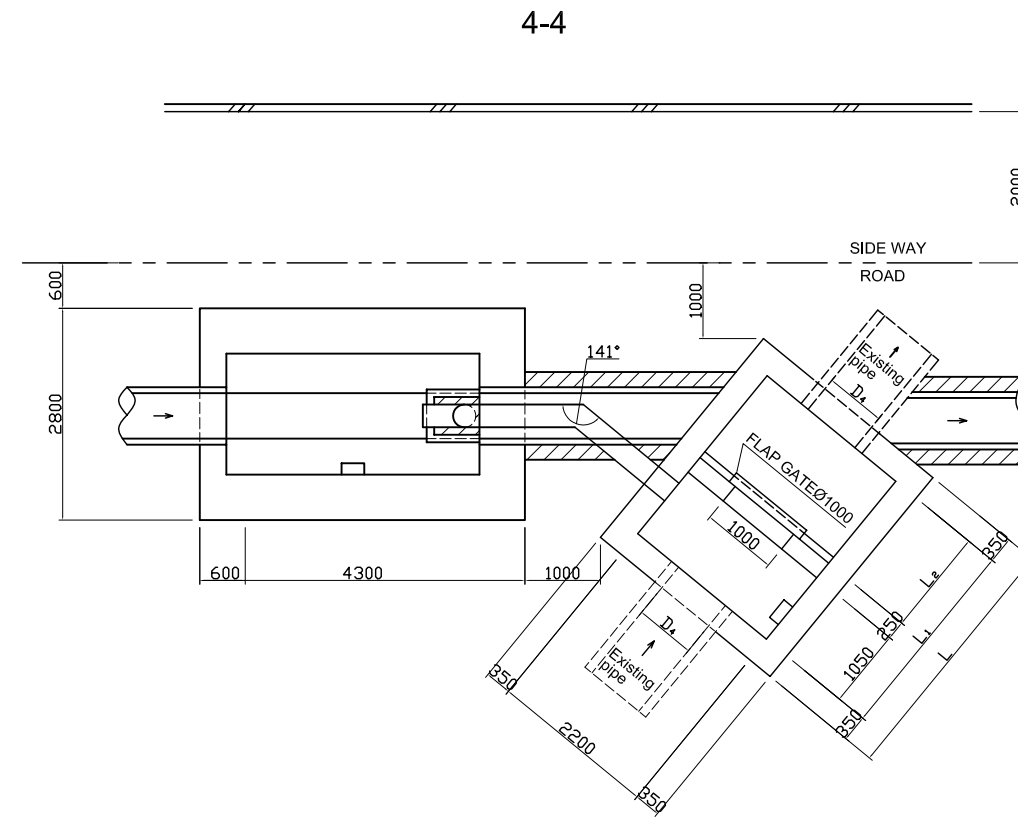
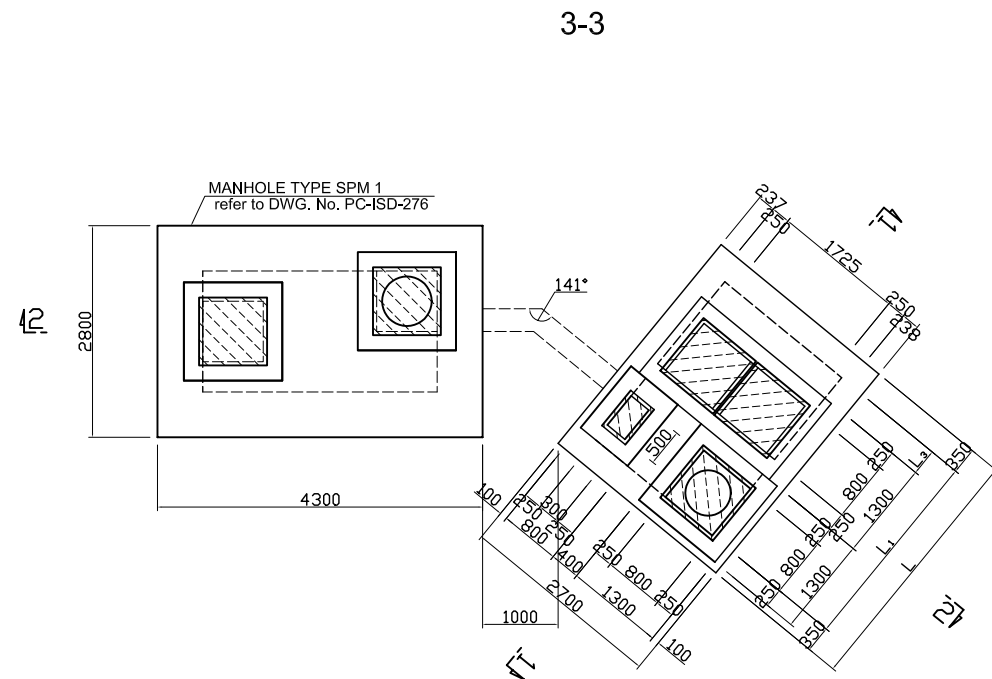
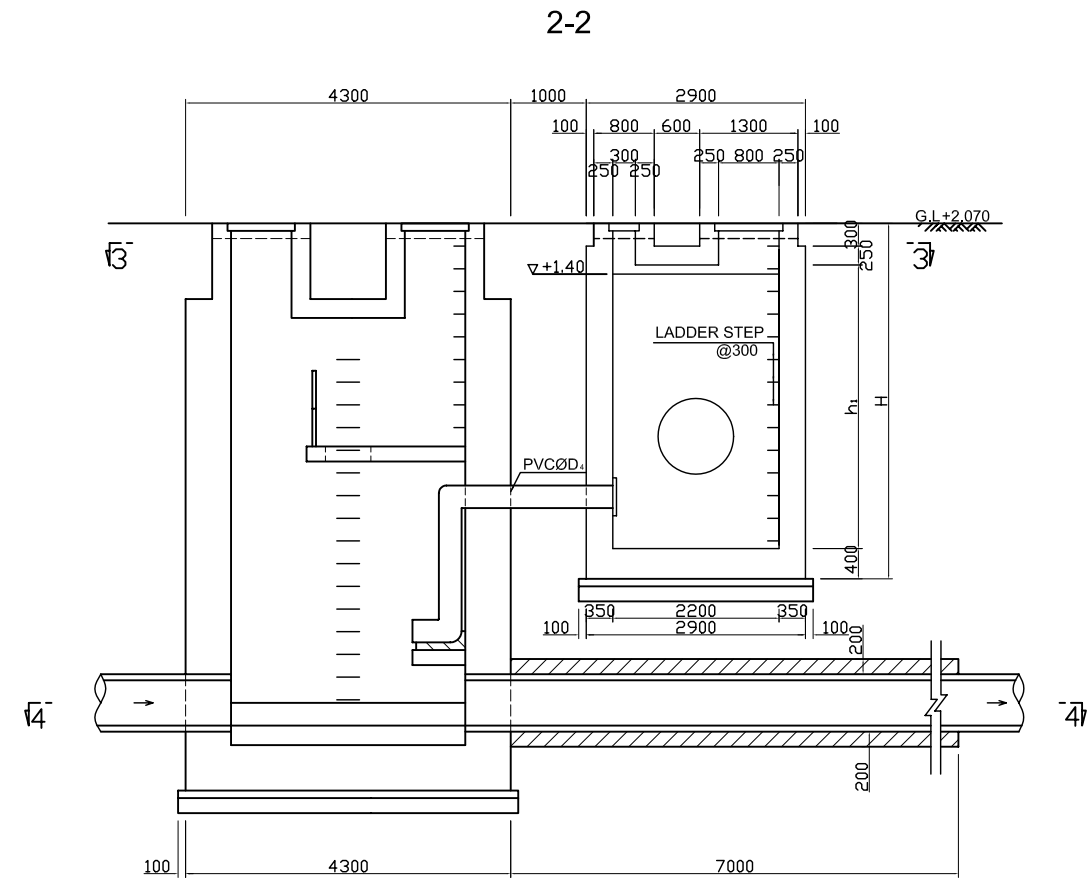
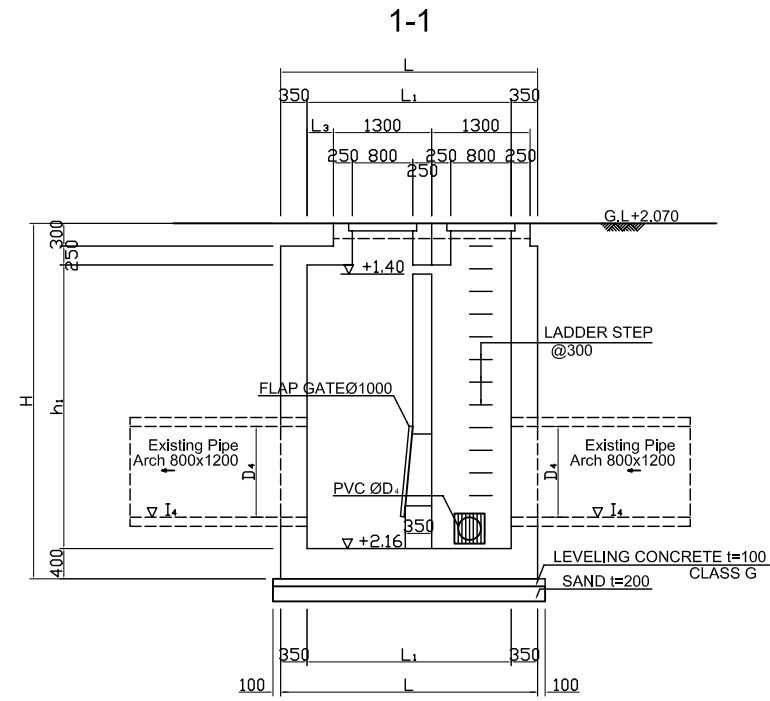
SCALE : 1/40

JICA JAPAN INTERNATIONAL COOPERATION
AGENCY (JICA)

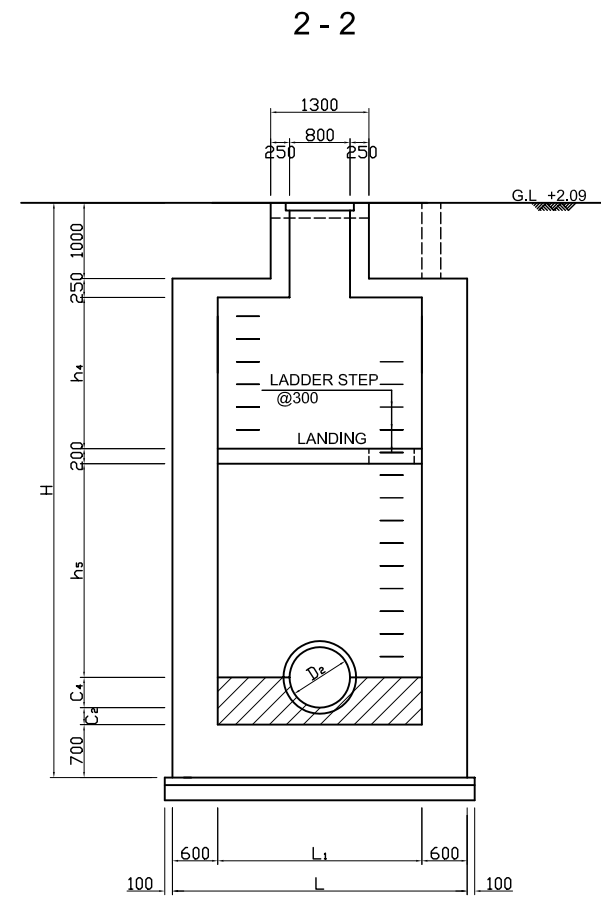
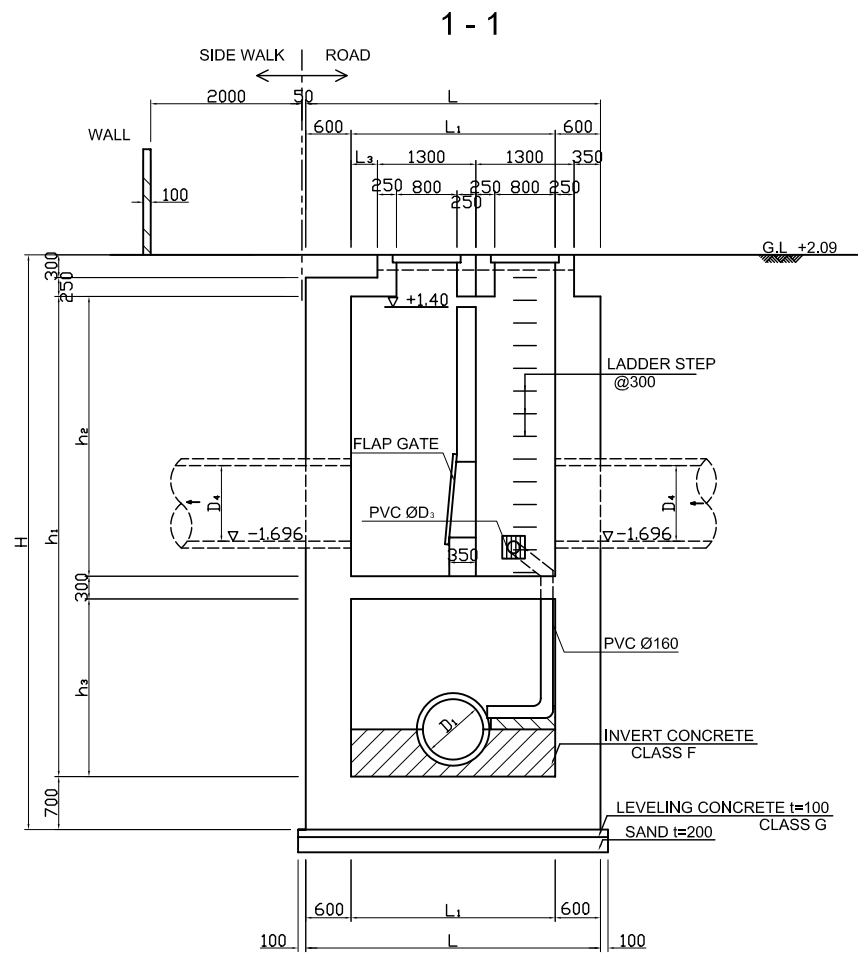
PACIFIC CONSULTANTS INTERNATIONAL

DESIGNED SATO NOBUYUKI	CHECKED KONDO MASAMI
---------------------------	-------------------------

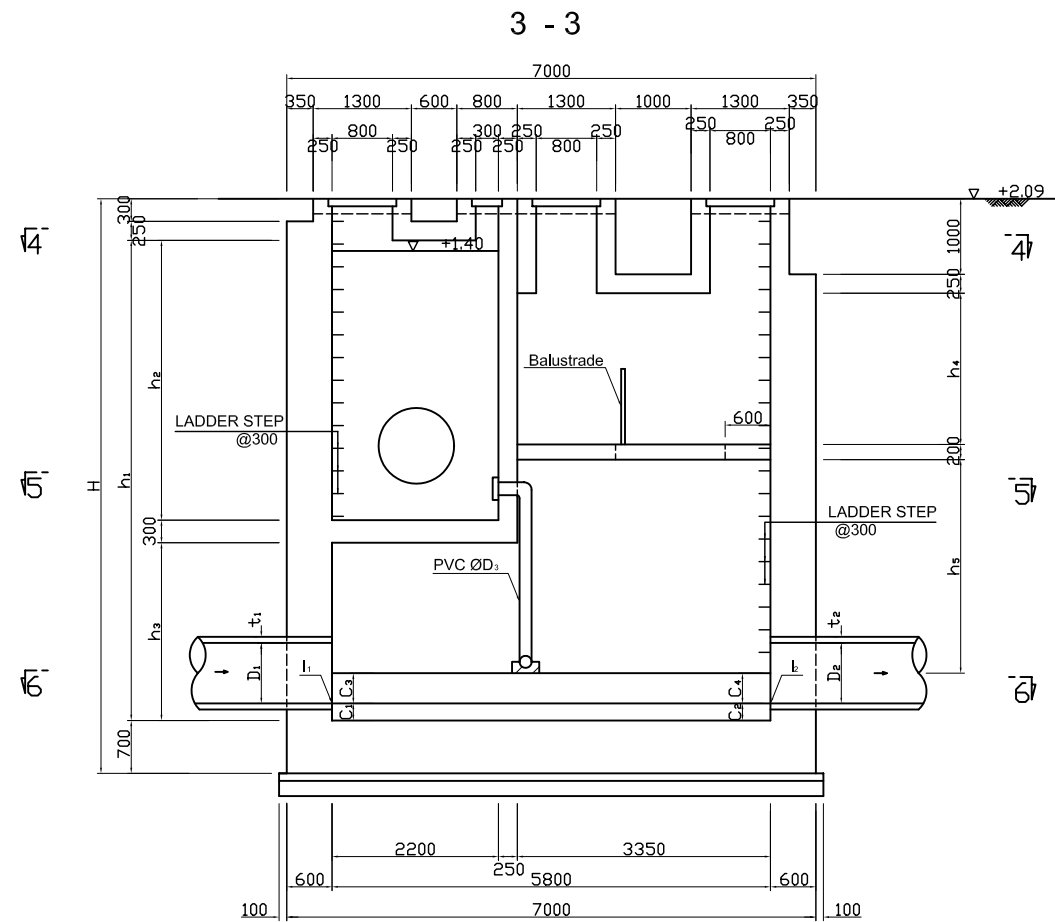
DATE : JUNE 2001 DWG. No. PC - ISC - 296



NO.	DATE	DESCRIPTIONS	BY	APRO.
REVISIONS				
PROJECT MANAGEMENT UNIT FOR HO CHI MINH CITY WATER ENVIRONMENT IMPROVEMENT				
THE DETAILED DESIGN ON HO CHI MINH CITY WATER ENVIRONMENT IMPROVEMENT PROJECT IN THE SOCIALIST REPUBLIC OF VIET NAM				
PACKAGE C INTERCEPTOR SEWER CONSTRUCTION TYPICAL PLAN AND SECTION OF DIVERSION CHAMBER (1) TYPE DC 1				
SCALE : 1/50				
JAPAN INTERNATIONAL COOPERATION AGENCY (JICA)				
PACIFIC CONSULTANTS INTERNATIONAL				
DESIGNED SATO NOBUYUKI		CHECKED KONDO MASAMI		
DATE : JUNE 2001		DWG. No. PC - ISC - 297		



When $h_s = 0$, Landing will not be constructed

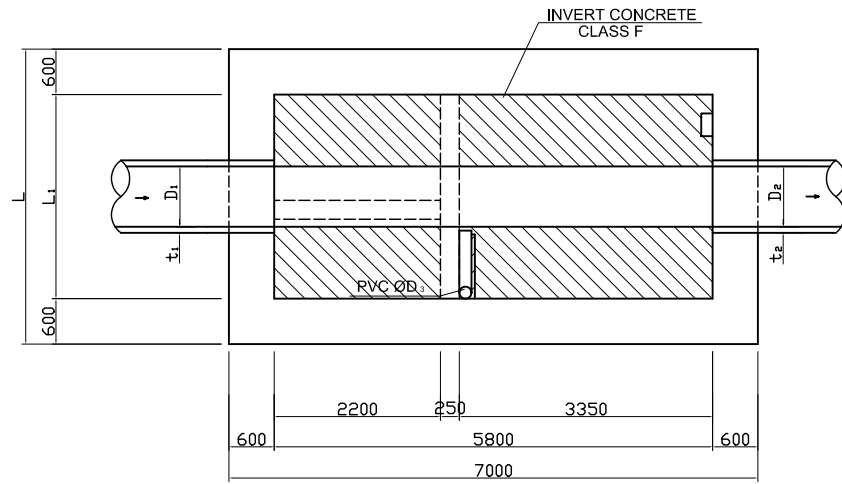
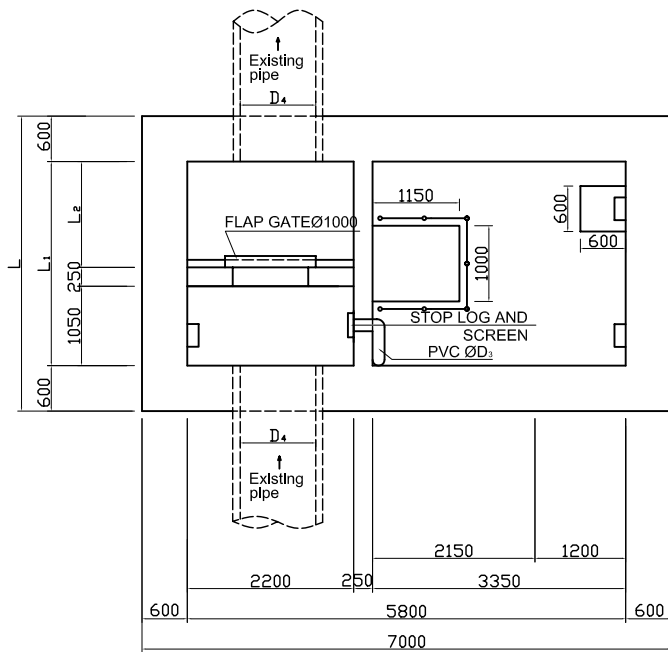
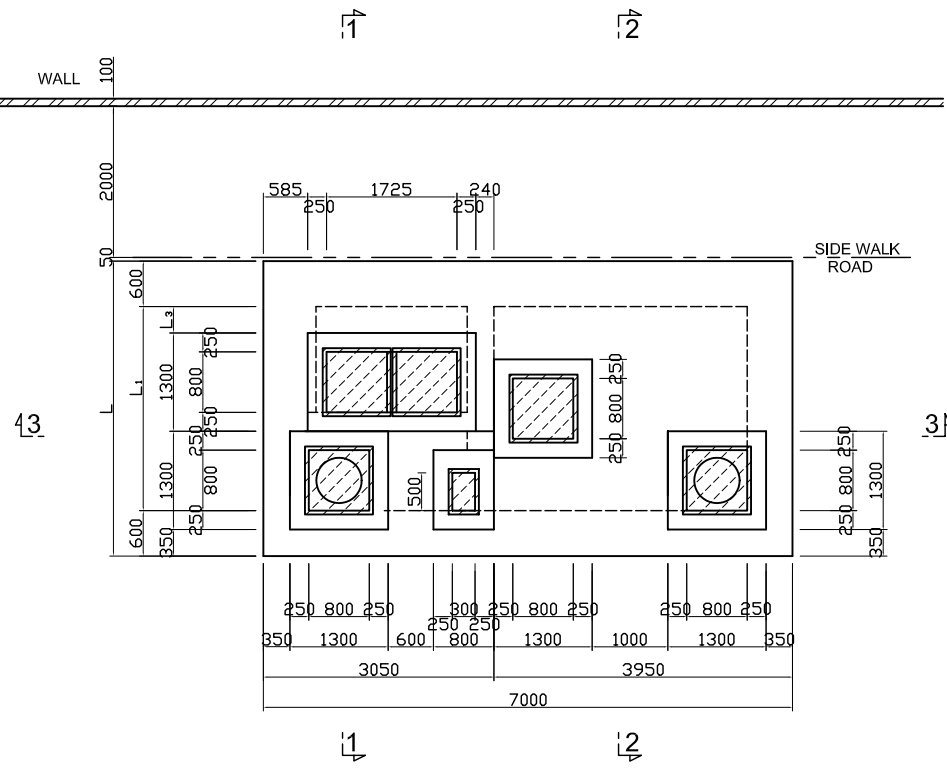


NO.	DATE	DESCRIPTIONS	BY	APRO.
REVISIONS				
PROJECT MANAGEMENT UNIT FOR HO CHI MINH CITY WATER ENVIRONMENT IMPROVEMENT				
THE DETAILED DESIGN ON HO CHI MINH CITY WATER ENVIRONMENT IMPROVEMENT PROJECT IN THE SOCIALIST REPUBLIC OF VIET NAM				
PACKAGE C INTERCEPTOR SEWER CONSTRUCTION TYPICAL PLAN AND SECTION OF DIVERSION CHAMBER (2) TYPE DC2(1)				
SCALE : 1/50				
JAPAN INTERNATIONAL COOPERATION AGENCY (JICA)				
PACIFIC CONSULTANTS INTERNATIONAL				
DESIGNED SATO NOBUYUKI		CHECKED KONDO MASAMI		
DATE : JUNE 2001		DWG. No. PC - ISC - 298		

4 - 4 S = 1:50

5 - 5 S = 1:50

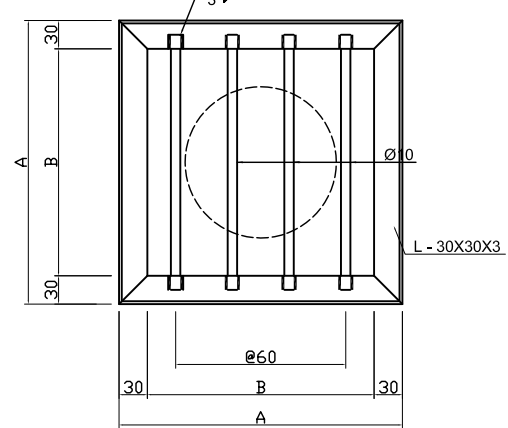
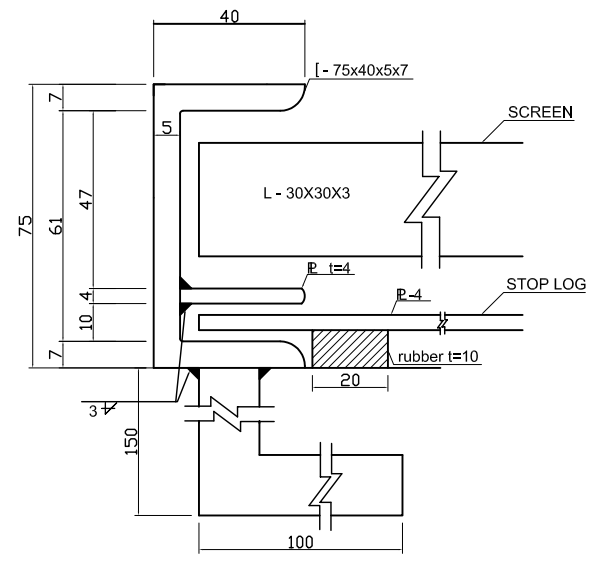
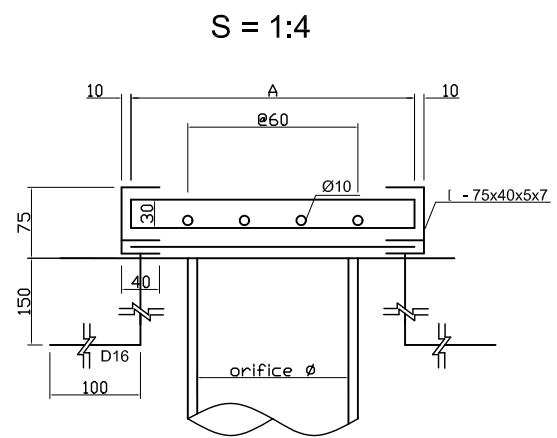
6 - 6 S = 1:50



STOP LOG AND SCREEN

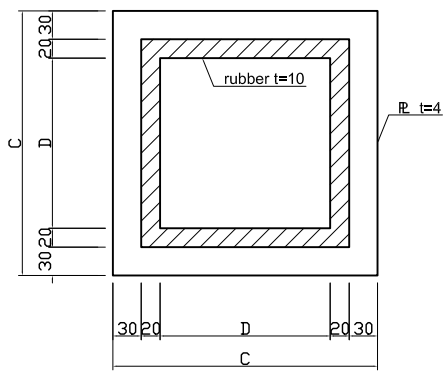
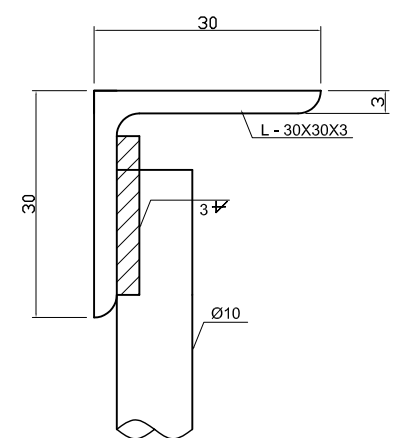
S = 1:1

S = 1:4



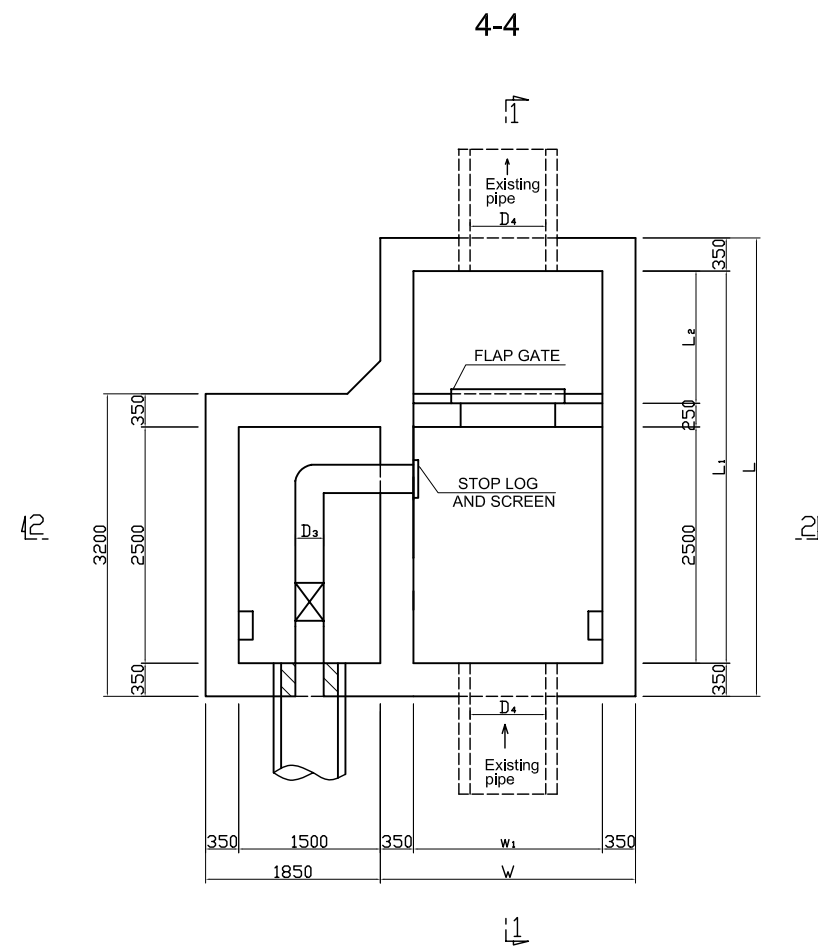
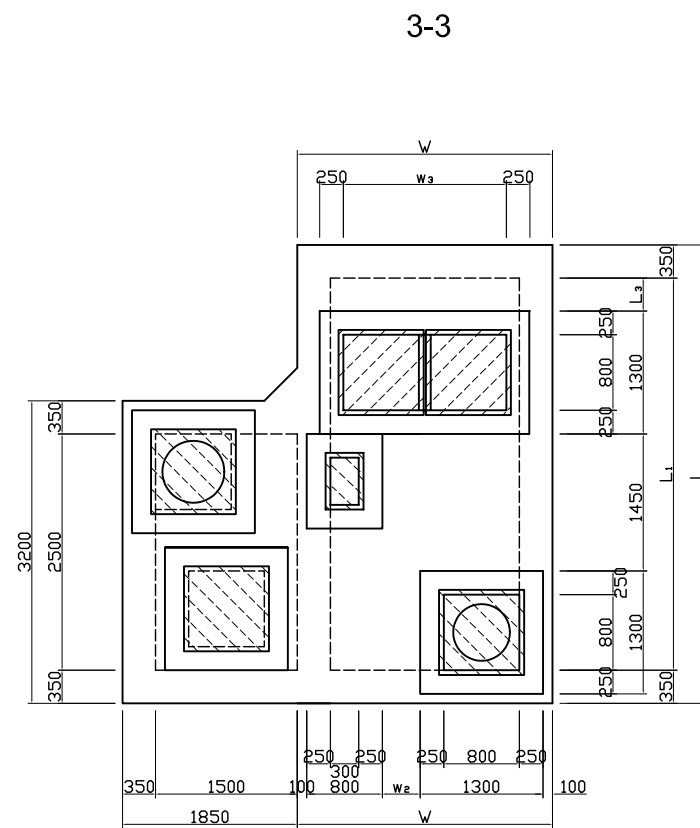
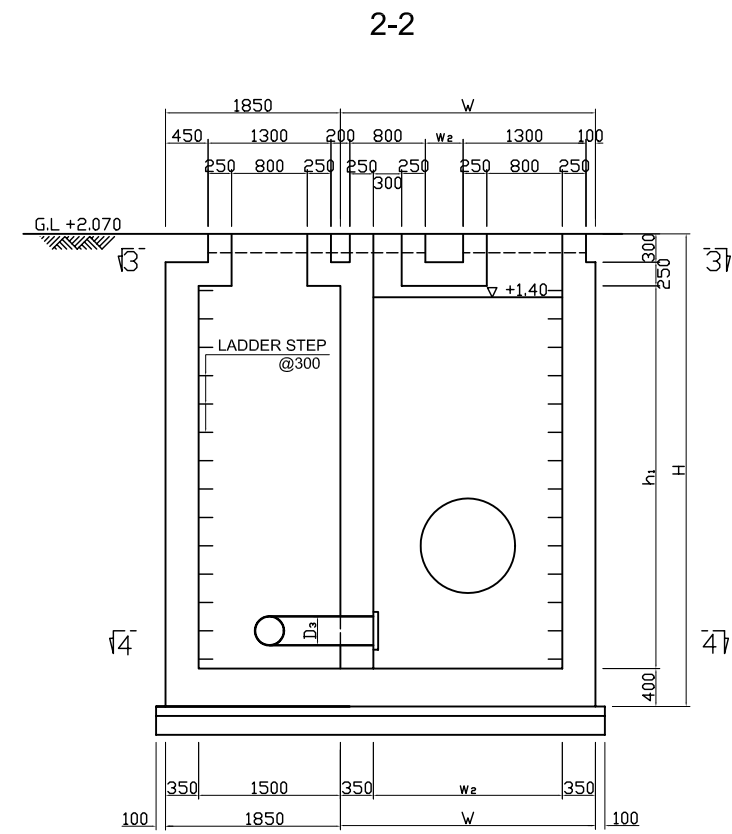
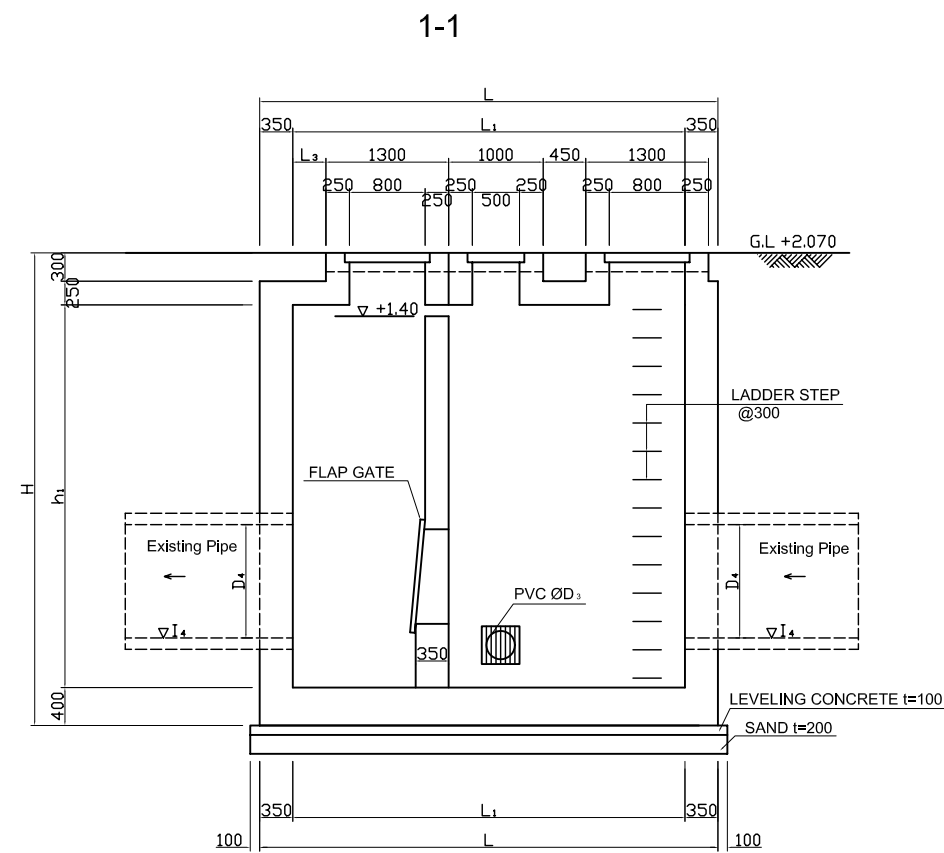
S = 2:1

S = 1:4



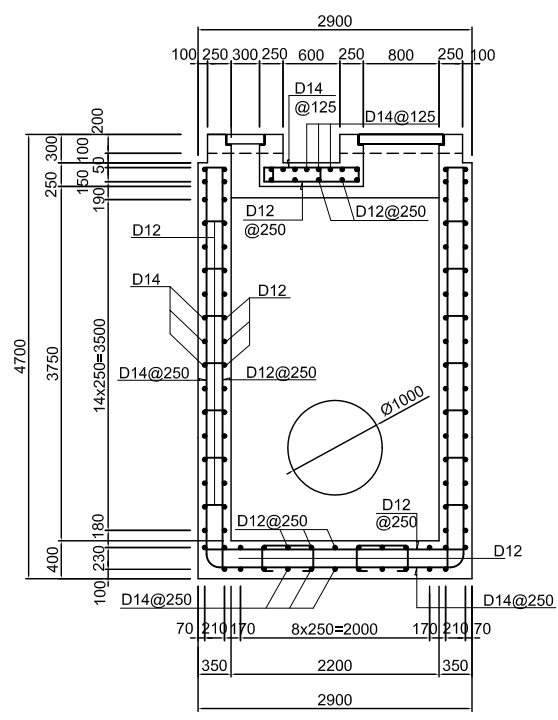
Orifice Ø (mm)	Screen			Stop Log	
	A (mm)	B (mm)	No of Bar (nos)	C (mm)	D (mm)
110	240	180	3	240	120
160	300	240	4	300	180
225	360	300	5	360	240
250	420	360	6	420	300
300	420	360	6	420	300
400	540	480	8	540	420
500	660	600	10	660	540

NO.	DATE	DESCRIPTIONS	BY	APRO.
REVISIONS				
PROJECT MANAGEMENT UNIT FOR HO CHI MINH CITY WATER ENVIRONMENT IMPROVEMENT				
THE DETAILED DESIGN ON HO CHI MINH CITY WATER ENVIRONMENT IMPROVEMENT PROJECT IN THE SOCIALIST REPUBLIC OF VIET NAM				
PACKAGE C INTERCEPTOR SEWER CONSTRUCTION TYPICAL PLAN AND SECTION DIVERSION CHAMBER (3) TYPE DC2 (2)				
SCALE : AS SHOWN				
JICA JAPAN INTERNATIONAL COOPERATION AGENCY (JICA)		PACIFIC CONSULTANTS INTERNATIONAL		
DESIGNED SATO NOBUYUKI	CHECKED KONDO MASAMI			
DATE : JUNE 2001	DWG. No. PC - ISC - 299			

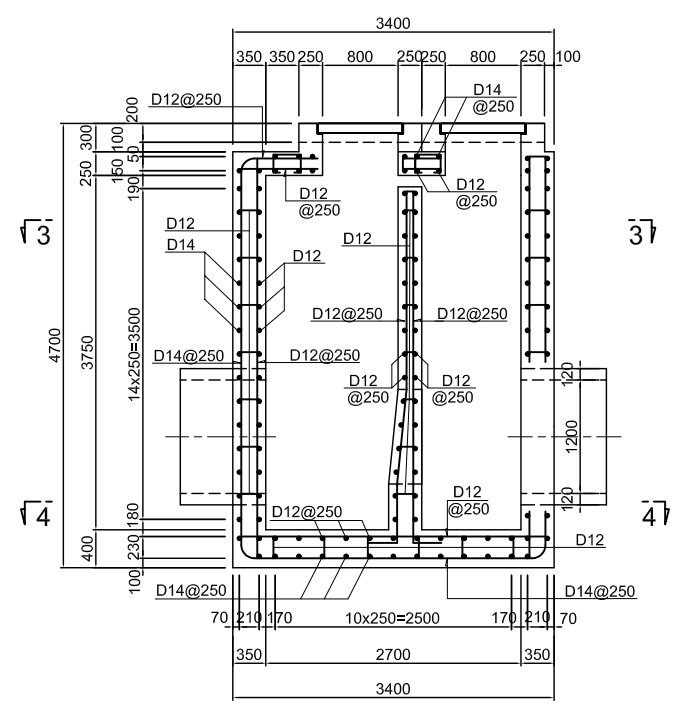


NO.	DATE	DESCRIPTIONS	BY	APRO.
REVISIONS				
PROJECT MANAGEMENT UNIT FOR HO CHI MINH CITY WATER ENVIRONMENT IMPROVEMENT				
THE DETAILED DESIGN ON HO CHI MINH CITY WATER ENVIRONMENT IMPROVEMENT PROJECT IN THE SOCIALIST REPUBLIC OF VIET NAM				
PACKAGE C INTERCEPTOR SEWER CONSTRUCTION TYPICAL PLAN AND SECTION OF DIVERSION CHAMBER (5) TYPE DC 4				
SCALE : 1/40				
JAPAN INTERNATIONAL COOPERATION AGENCY (JICA)				
PACIFIC CONSULTANTS INTERNATIONAL				
DESIGNED SATO NOBUYUKI		CHECKED KONDO MASAMI		
DATE : JUNE 2001		DWG. No. PC - ISC - 301		

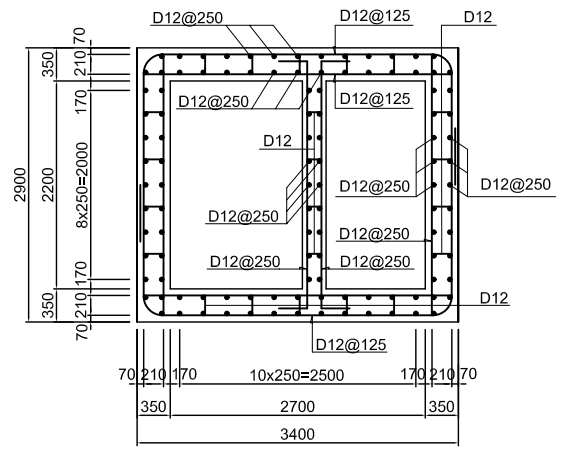
1-1



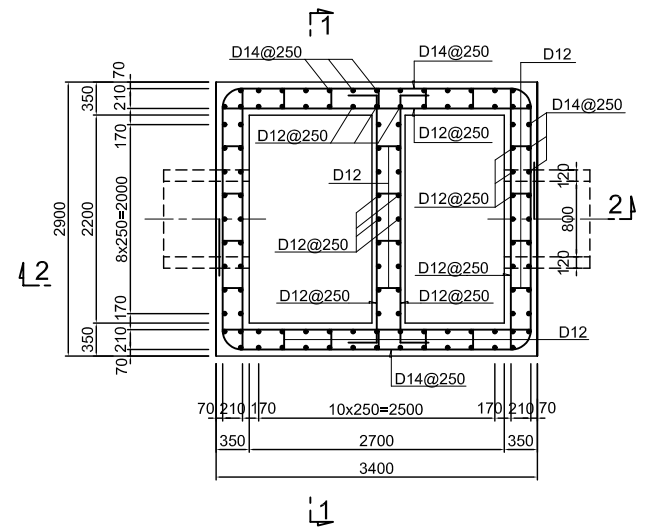
1-1



3-3



4-4



NO.	DATE	DESCRIPTIONS	BY	APRO.
-----	------	--------------	----	-------

REVISIONS

PROJECT MANAGEMENT UNIT FOR
HO CHI MINH CITY
WATER ENVIRONMENT IMPROVEMENT

THE DETAILED DESIGN ON HO CHI MINH CITY
WATER ENVIRONMENT IMPROVEMENT PROJECT
IN THE SOCIALIST REPUBLIC OF VIET NAM

PACKAGE C
INTERCEPTOR SEWER CONSTRUCTION
TYPICAL BAR ARRANGEMENT OF
DIVERSION CHAMBER TYPE DC 1

SCALE : 1/40

JICA JAPAN INTERNATIONAL COOPERATION
AGENCY (JICA)

PACIFIC CONSULTANTS INTERNATIONAL

DESIGNED SATO NOBUYUKI	CHECKED KONDO MASAMI
---------------------------	-------------------------

DATE : JUNE 2001 DWG. No. PC - ISC - 295