

NO.	DATE	DESCRIPTIONS	BY	APRO.

REVISIONS

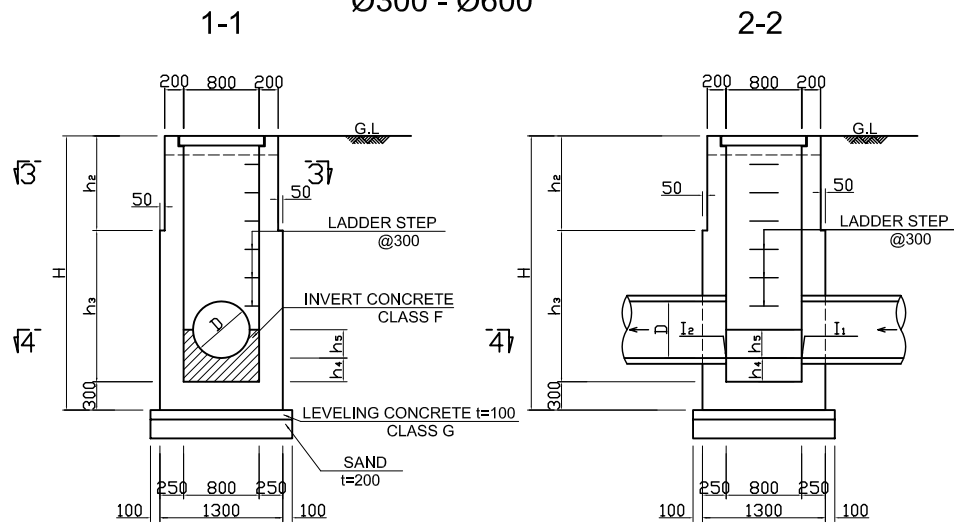
PROJECT MANAGEMENT UNIT FOR  
HO CHI MINH CITY  
WATER ENVIRONMENT IMPROVEMENT

THE DETAILED DESIGN ON HO CHI MINH CITY  
WATER ENVIRONMENT IMPROVEMENT PROJECT  
IN THE SOCIALIST REPUBLIC OF VIET NAM

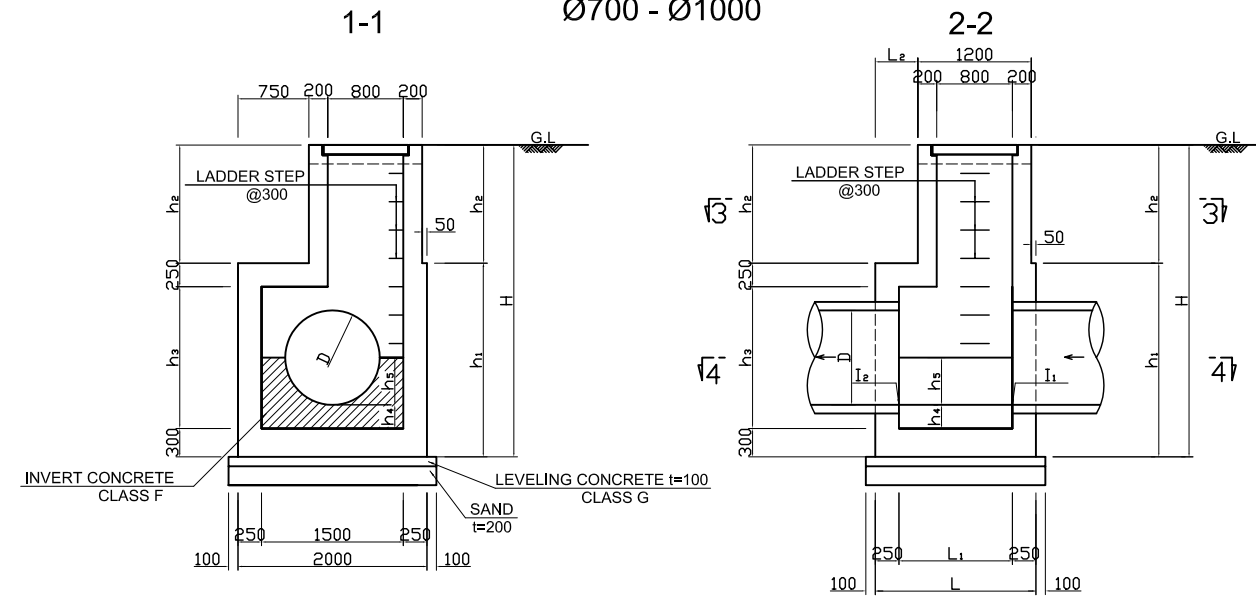
PACKAGE C  
INTERCEPTOR SEWER CONSTRUCTION  
TYPICAL PLAN AND SECTION OF  
MANHOLE FOR MAIN INTERCEPTOR (6)  
TYPE SPM6

SCALE : 1/60	
JAPAN INTERNATIONAL COOPERATION AGENCY ( JICA )	
PACIFIC CONSULTANTS INTERNATIONAL	
DESIGNED SATO NOBUYUKI	CHECKED KONDO MASAMI
DATE : JUNE 2001	DWG. No. PC - ISC - 288

TYPE 1 S = 1:40  
Ø300 - Ø600

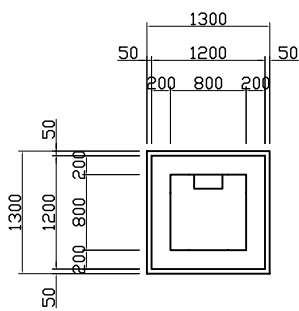


TYPE 2 S = 1:40  
Ø700 - Ø1000

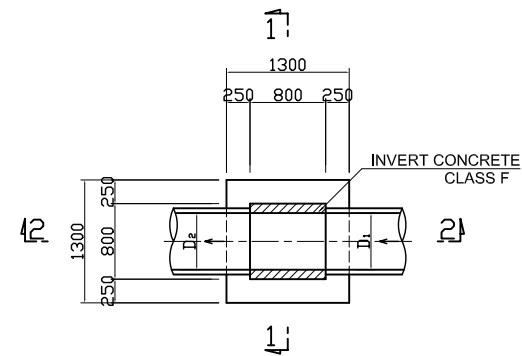


When  $H \leq 2850$ ,  $h_2 = 300$   
When  $H \geq 2850$ ,  $h_2 = 2000$

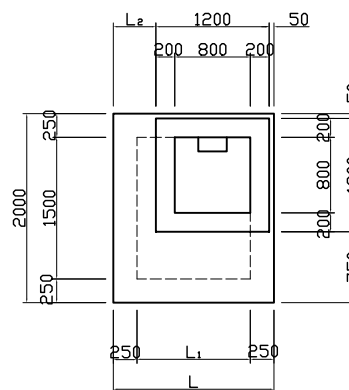
3-3



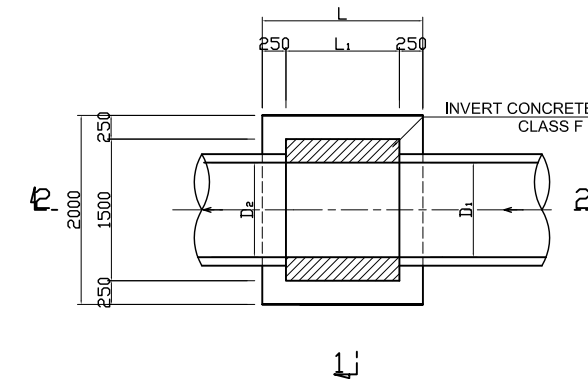
4-4



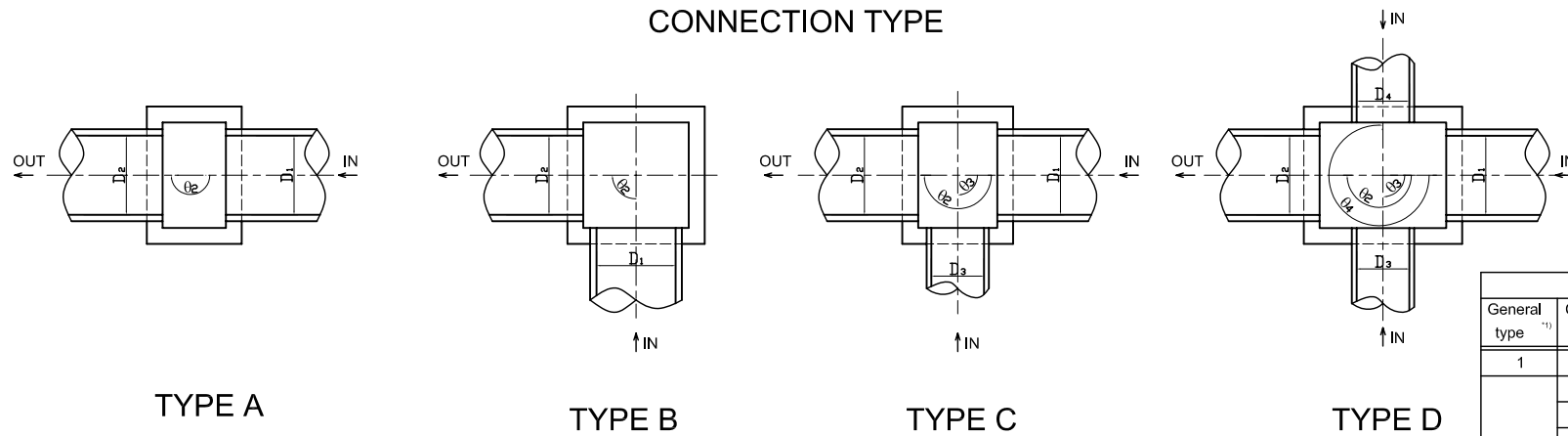
3-3



4-4



CONNECTION TYPE



TYPE OF MANHOLE

General type	Connection type	Connection pipe	Diameter (mm)		Dimension (m)		
			Main pipe (D <sub>1</sub> , D <sub>2</sub> )	Connecting pipe (D <sub>1</sub> , D <sub>2</sub> )	L	L <sub>1</sub>	L <sub>2</sub>
1	A, B, C	-	Ø300-Ø600	Ø300-Ø600	-	-	-
	A	-		-	1,700	1,200	450
2	B	-	Ø700-Ø1000	-	2,000	1,500	750
	C	1		Ø300-Ø600	1,700	1,200	450
	D	2		Ø700-Ø1000	2,000	1,500	750
		1		Ø300-Ø600	2,500	2,000	1,250
	2	Ø700-Ø1000	2,900	2,400	1,650		

This table is applied at a depth of up to 7.0m

Note:

\*1) General type of Manhole type is categorized in diameter of Main pipe, D<sub>1</sub> and D<sub>2</sub>

\*2) Connection pipe of Manhole type is categorized in a diameter of connection pipe.

NO.	DATE	DESCRIPTIONS	BY	APRO.

REVISIONS

PROJECT MANAGEMENT UNIT FOR  
HO CHI MINH CITY  
WATER ENVIRONMENT IMPROVEMENT

THE DETAILED DESIGN ON HO CHI MINH CITY  
WATER ENVIRONMENT IMPROVEMENT PROJECT  
IN THE SOCIALIST REPUBLIC OF VIET NAM

PACKAGE C  
INTERCEPTOR SEWER CONSTRUCTION  
TYPICAL PLAN AND SECTION  
OF MANHOLE FOR SECONDARY  
INTERCEPTOR

SCALE : AS SHOWN

JICA JAPAN INTERNATIONAL COOPERATION  
AGENCY ( JICA )

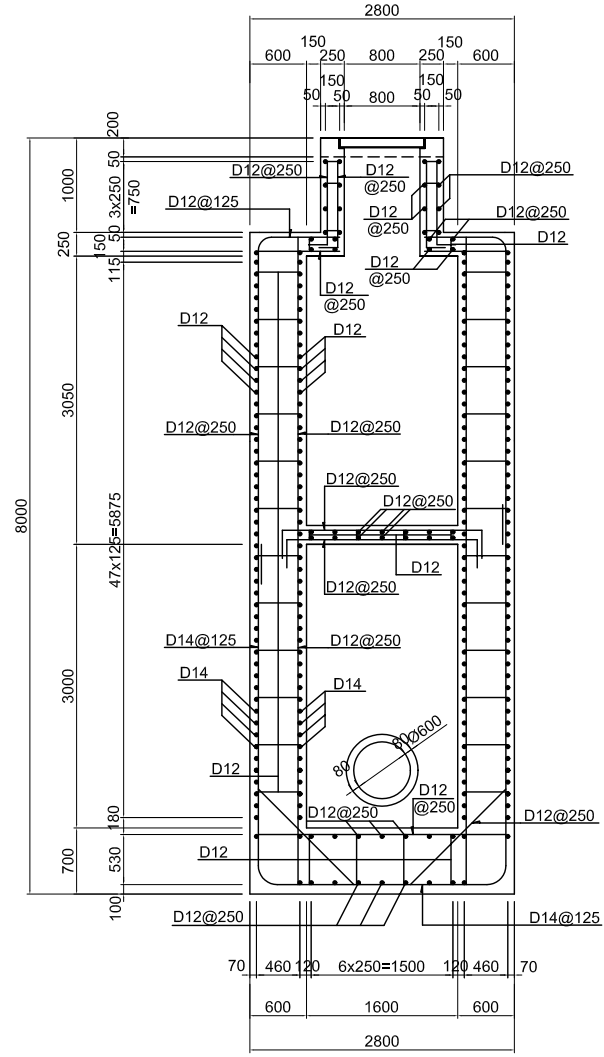
PACIFIC CONSULTANTS INTERNATIONAL

DESIGNED  
SATO NOBUYUKI

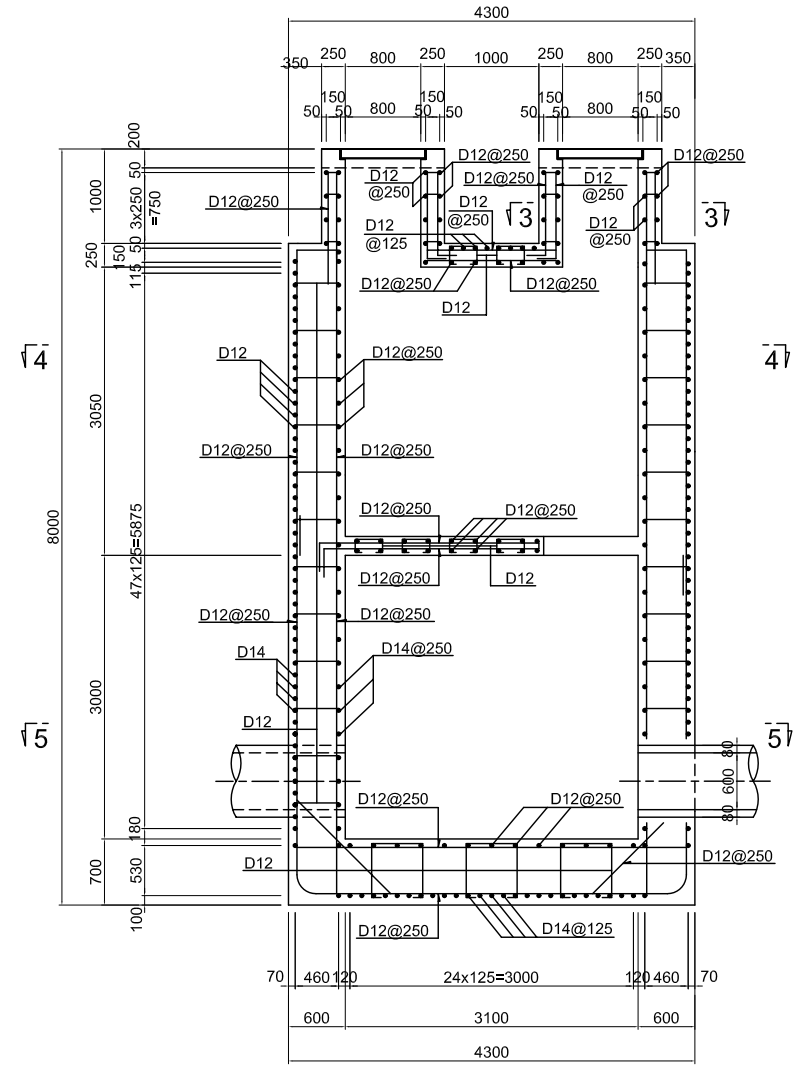
CHECKED  
KONDO MASAMI

DATE : JUNE 2001 DWG. No. PC - ISC - 289

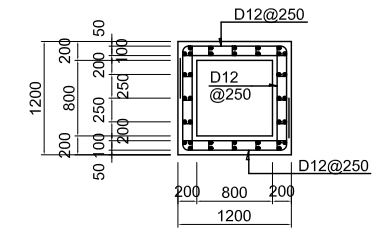
1-1



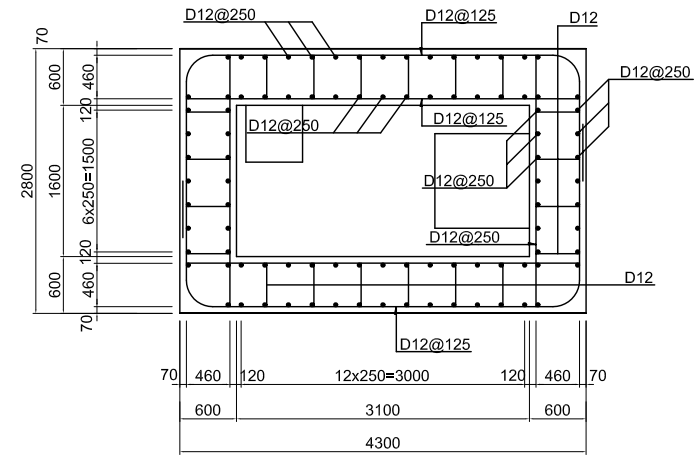
2-2



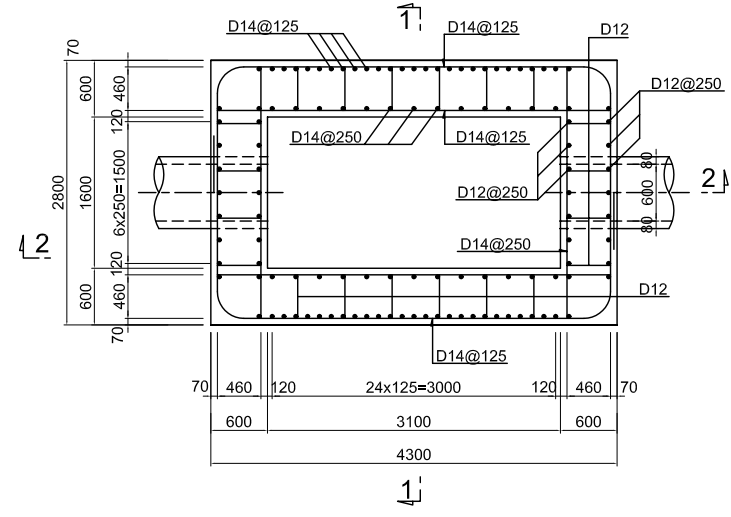
3-3



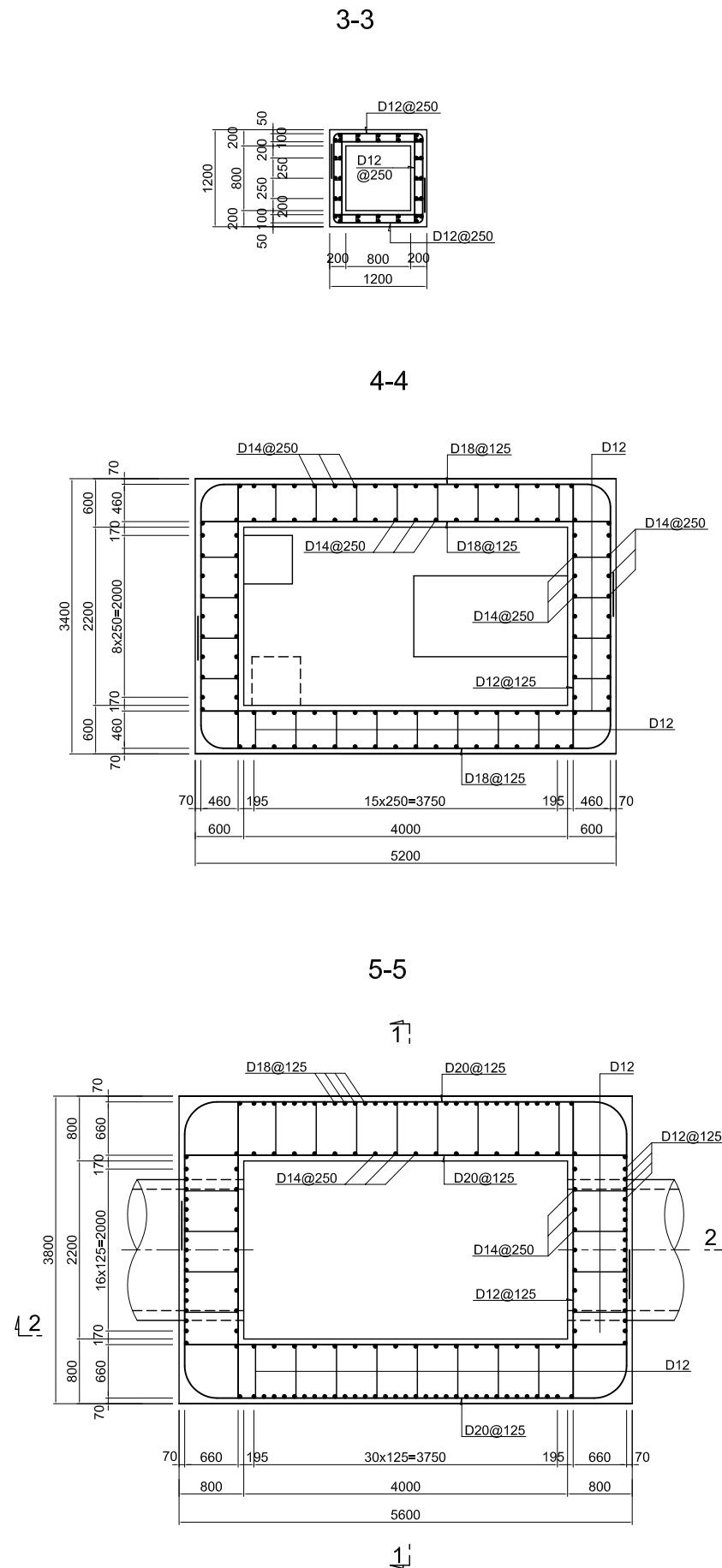
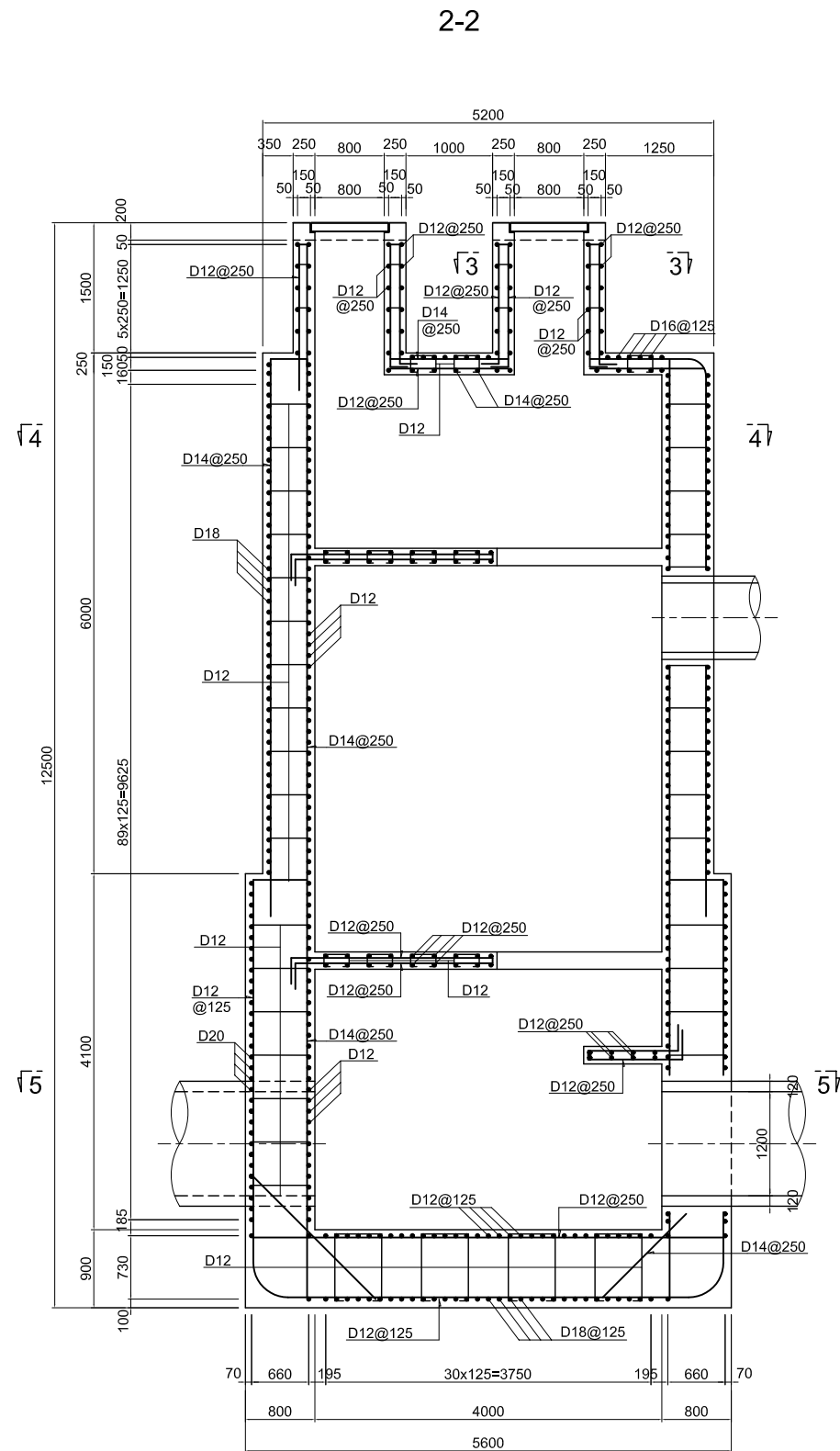
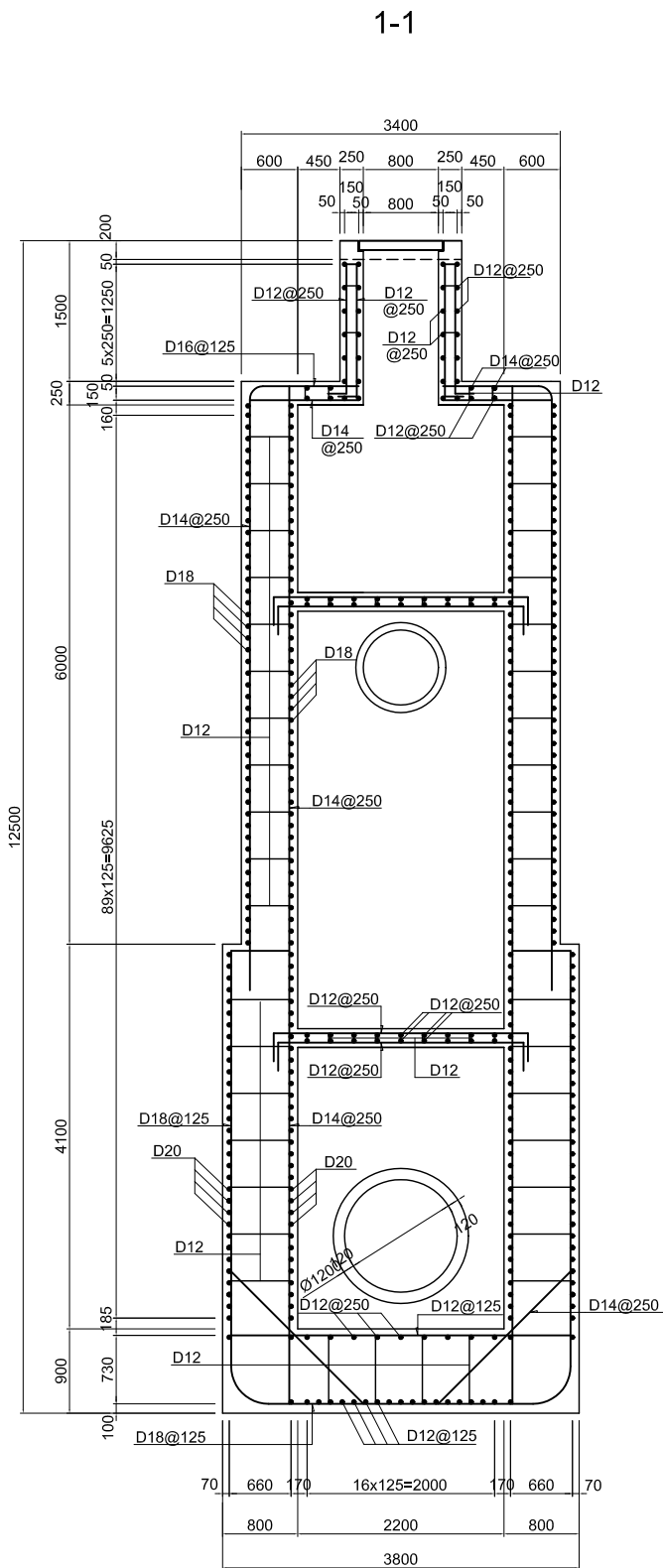
4-4



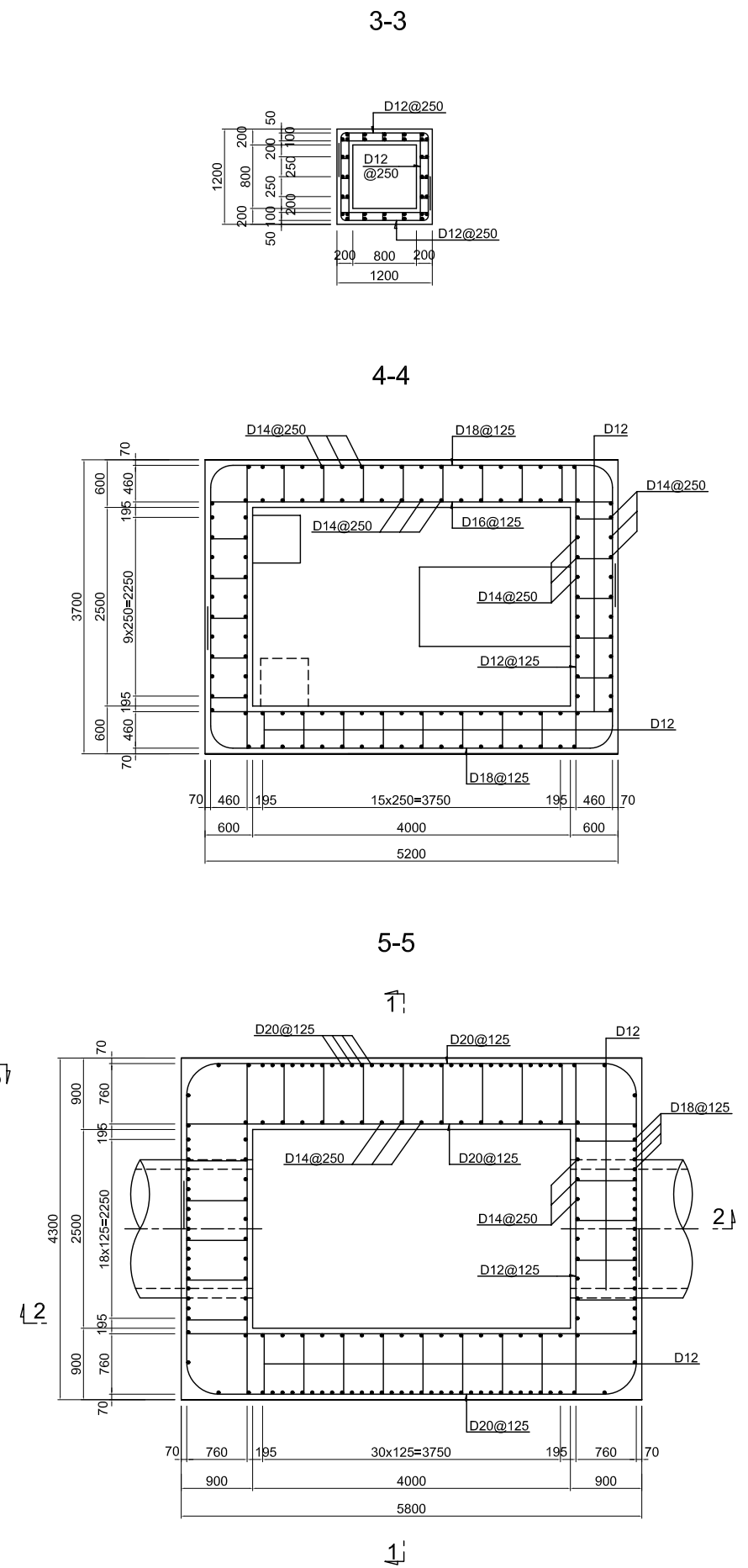
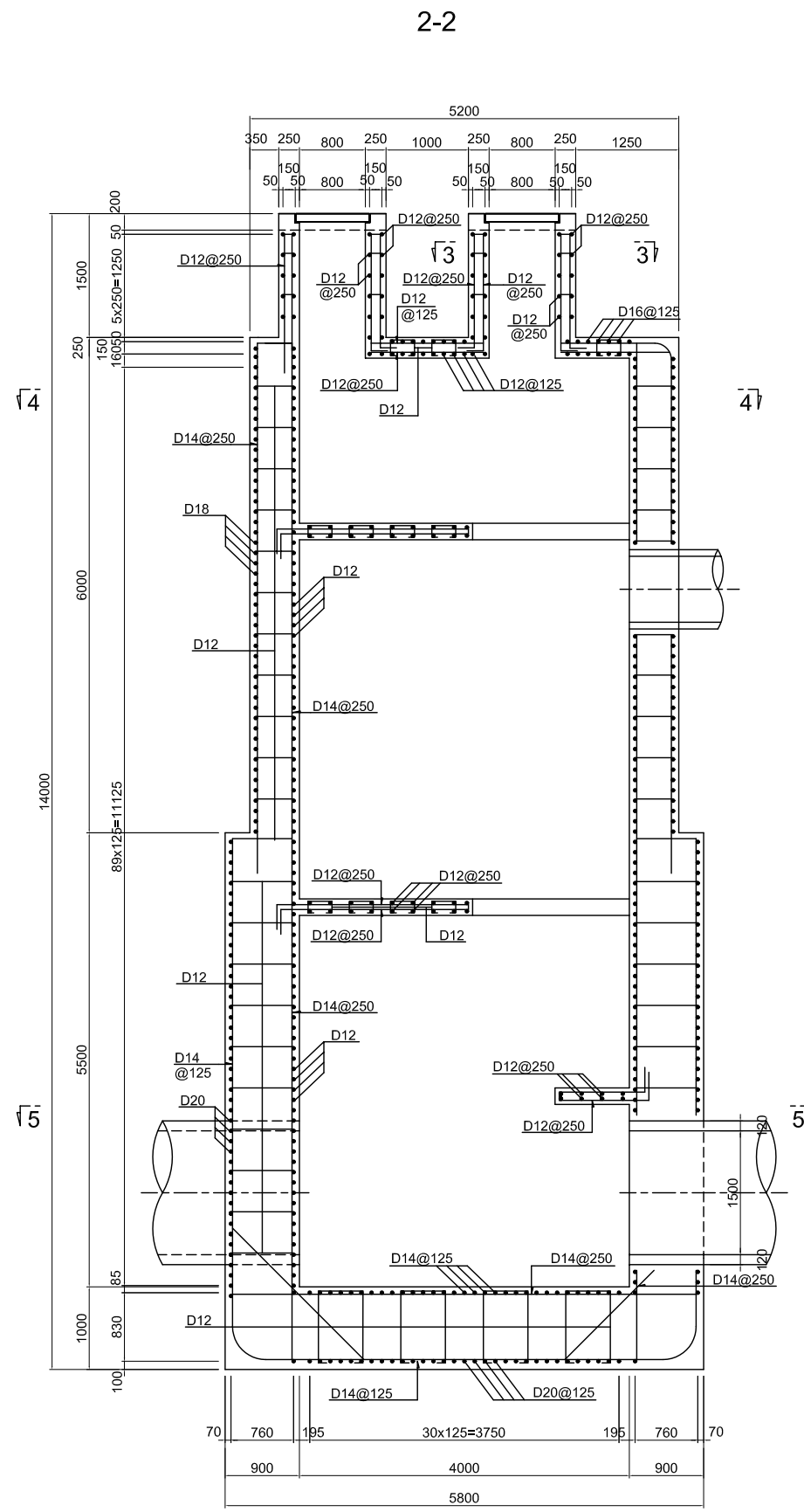
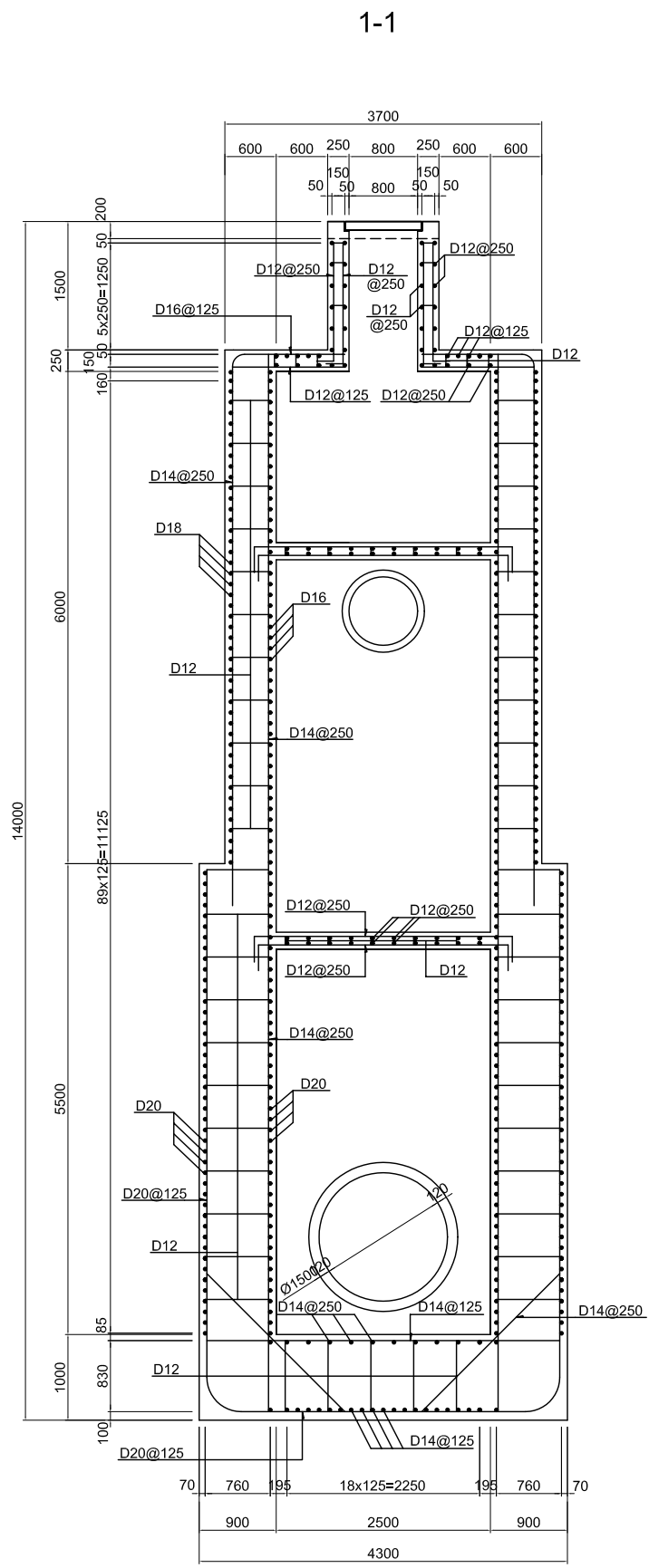
5-5



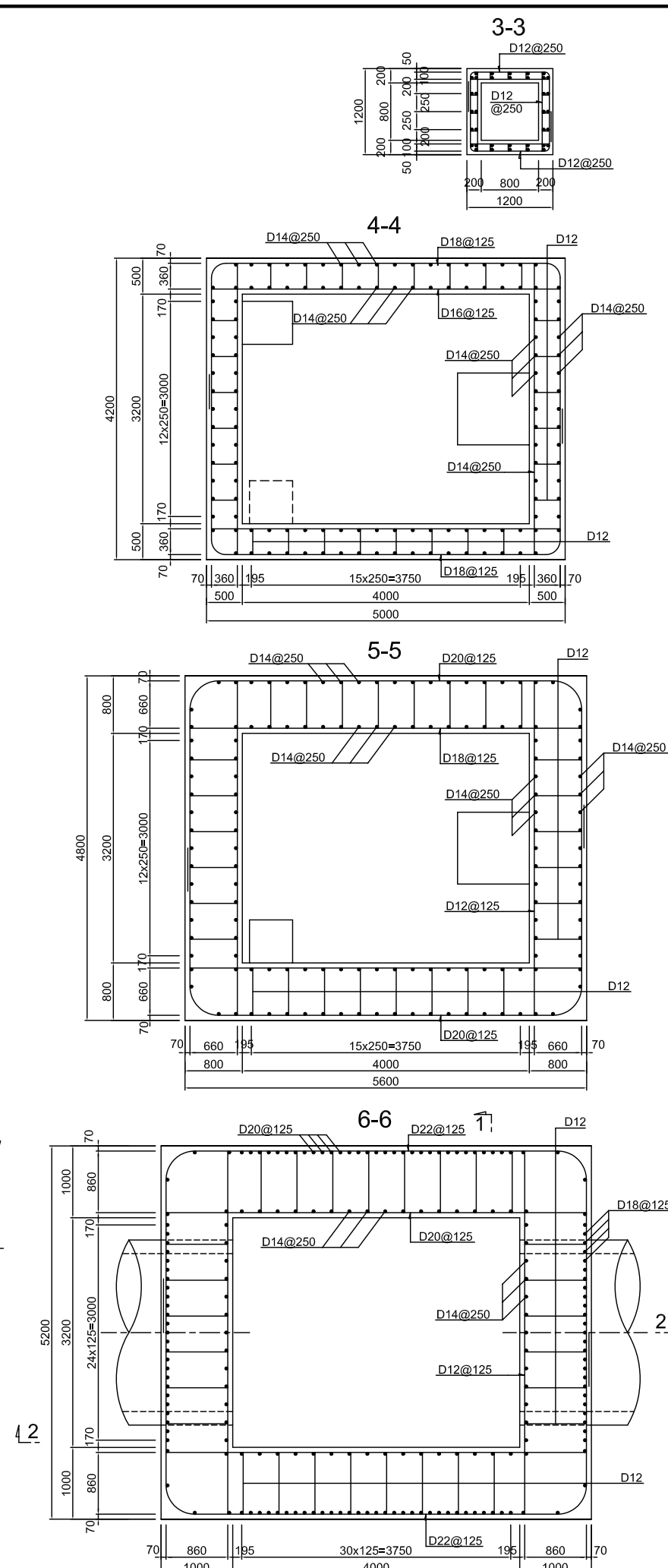
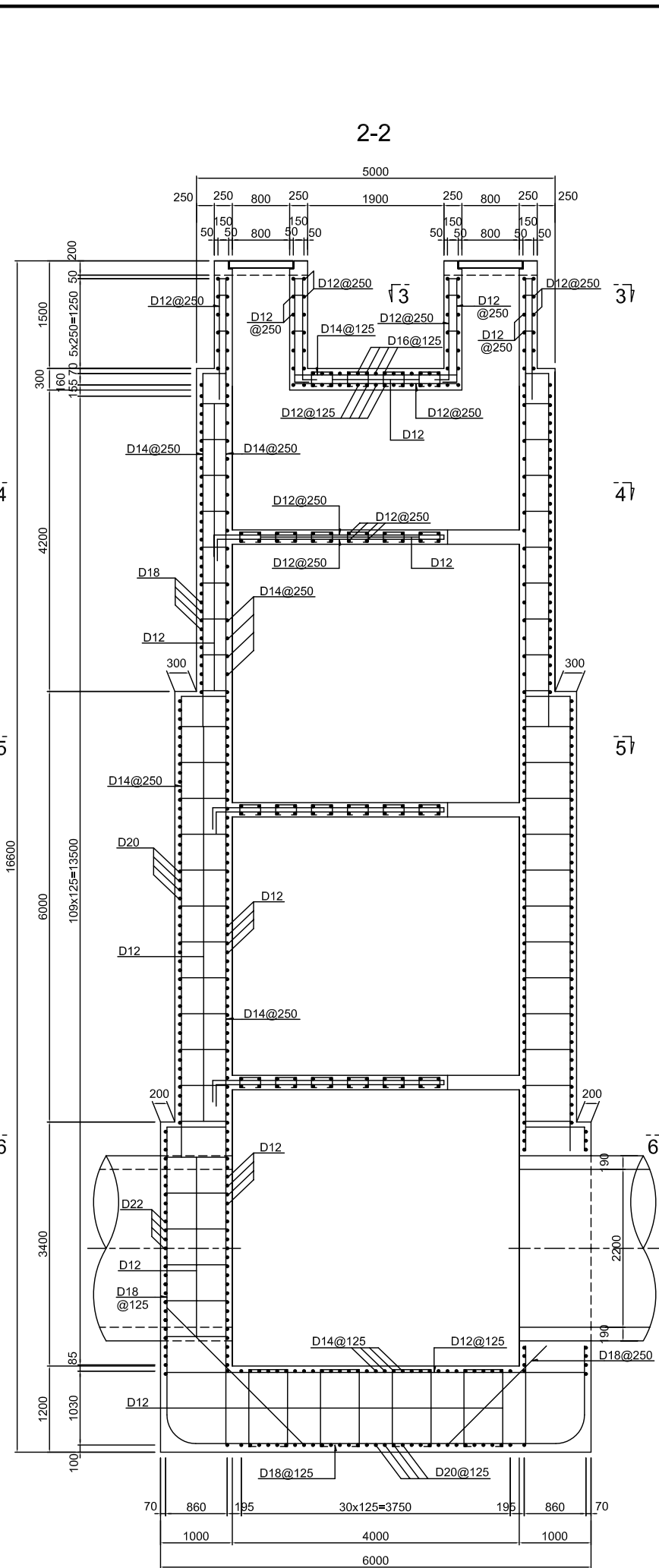
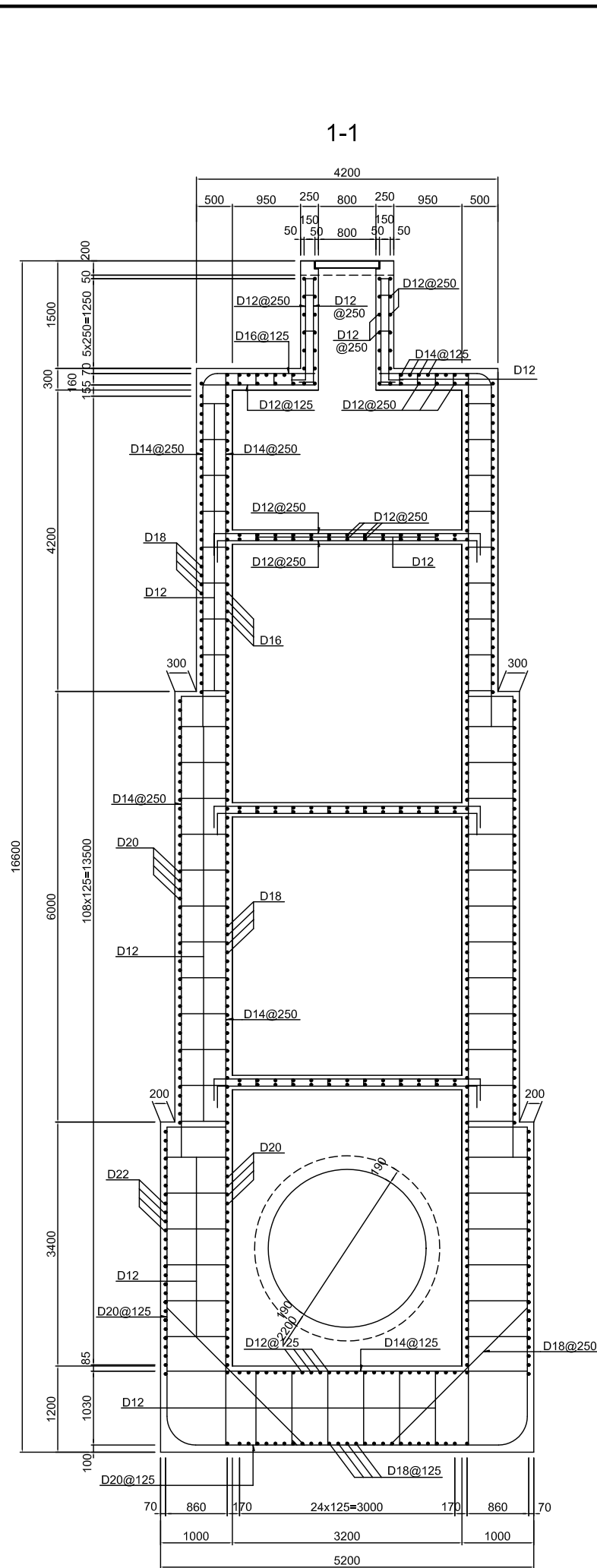
NO.	DATE	DESCRIPTIONS	BY	APRO.
REVISIONS				
PROJECT MANAGEMENT UNIT FOR HO CHI MINH CITY WATER ENVIRONMENT IMPROVEMENT				
THE DETAILED DESIGN ON HO CHI MINH CITY WATER ENVIRONMENT IMPROVEMENT PROJECT IN THE SOCIALIST REPUBLIC OF VIET NAM				
PACKAGE C INTERCEPTOR SEWER CONSTRUCTION TYPICAL BAR ARRANGEMENT OF MAIN INTERCEPTOR MANHOLE (1) TYPE SPM1 (Ø300-Ø600)				
SCALE : 1/40				
JAPAN INTERNATIONAL COOPERATION AGENCY ( JICA )				
PACIFIC CONSULTANTS INTERNATIONAL				
DESIGNED SATO NOBUYUKI		CHECKED KONDO MASAMI		
DATE : JUNE 2001		DWG. No. PC - ISC - 290		



NO.	DATE	DESCRIPTIONS	BY	APRO.
REVISIONS				
PROJECT MANAGEMENT UNIT FOR HO CHI MINH CITY WATER ENVIRONMENT IMPROVEMENT				
THE DETAILED DESIGN ON HO CHI MINH CITY WATER ENVIRONMENT IMPROVEMENT PROJECT IN THE SOCIALIST REPUBLIC OF VIET NAM				
PACKAGE C INTERCEPTOR SEWER CONSTRUCTION TYPICAL BAR ARRANGEMENT OF MAIN INTERCEPTOR MANHOLE (2) TYPE SPM2 (Ø800-Ø1200)				
SCALE : 1/40				
JAPAN INTERNATIONAL COOPERATION AGENCY ( JICA )				
PACIFIC CONSULTANTS INTERNATIONAL				
DESIGNED SATO NOBUYUKI			CHECKED KONDO MASAMI	
DATE : JUNE 2001		DWG. No. PC - ISC - 291		



NO.	DATE	DESCRIPTIONS	BY	APRO.
REVISIONS				
PROJECT MANAGEMENT UNIT FOR HO CHI MINH CITY WATER ENVIRONMENT IMPROVEMENT				
THE DETAILED DESIGN ON HO CHI MINH CITY WATER ENVIRONMENT IMPROVEMENT PROJECT IN THE SOCIALIST REPUBLIC OF VIET NAM				
PACKAGE C INTERCEPTOR SEWER CONSTRUCTION TYPICAL BAR ARRANGEMENT OF MAIN INTERCEPTOR MANHOLE (3) TYPE SPM3 (Ø1500)				
SCALE : 1/40				
JAPAN INTERNATIONAL COOPERATION AGENCY ( JICA )				
PACIFIC CONSULTANTS INTERNATIONAL				
DESIGNED SATO NOBUYUKI		CHECKED KONDO MASAMI		
DATE : JUNE 2001		DWG. No. PC - ISC - 292		



NO.	DATE	DESCRIPTIONS	BY	APRO.
REVISIONS				
PROJECT MANAGEMENT UNIT FOR HO CHI MINH CITY WATER ENVIRONMENT IMPROVEMENT				
THE DETAILED DESIGN ON HO CHI MINH CITY WATER ENVIRONMENT IMPROVEMENT PROJECT IN THE SOCIALIST REPUBLIC OF VIET NAM				
PACKAGE C INTERCEPTOR SEWER CONSTRUCTION TYPICAL BAR ARRANGEMENT OF MAIN INTERCEPTOR MANHOLE (4) TYPE SPM4 (Ø2200)				
SCALE : 1/40				
JAPAN INTERNATIONAL COOPERATION AGENCY ( JICA )				
PACIFIC CONSULTANTS INTERNATIONAL				
DESIGNED SATO NOBUYUKI		CHECKED KONDO MASAMI		
DATE : JUNE 2001		DWG. No. PC - ISC - 293		