

KEY MAP

LEGEND

- Ø300 (Diameter) Secondary Interceptor Sewer
- Arch 0.8x1.4 Existing Drainage Pipe
- Ø800 Existing Drainage Pipe
- W300 (Diameter) Existing Water Supply Pipe
- T Existing Telephone Cable
- E Existing Electric Cable

NO.	DATE	DESCRIPTIONS	BY	APRO.

REVISIONS

PROJECT MANAGEMENT UNIT FOR
HO CHI MINH CITY
WATER ENVIRONMENT IMPROVEMENT

THE DETAILED DESIGN ON HO CHI MINH CITY
WATER ENVIRONMENT IMPROVEMENT PROJECT
IN THE SOCIALIST REPUBLIC OF VIET NAM

PACKAGE C
INTERCEPTOR SEWER CONSTRUCTION
CROSS SECTION OF
SECONDARY INTERCEPTOR (21)
(NGUYEN BIEU)

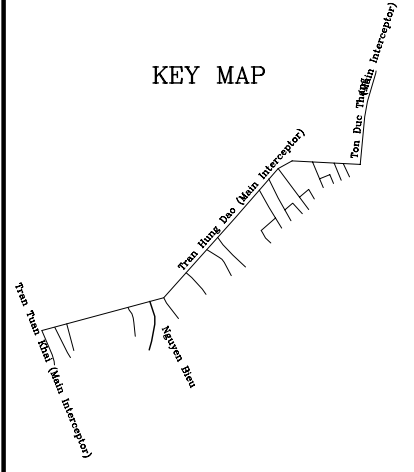
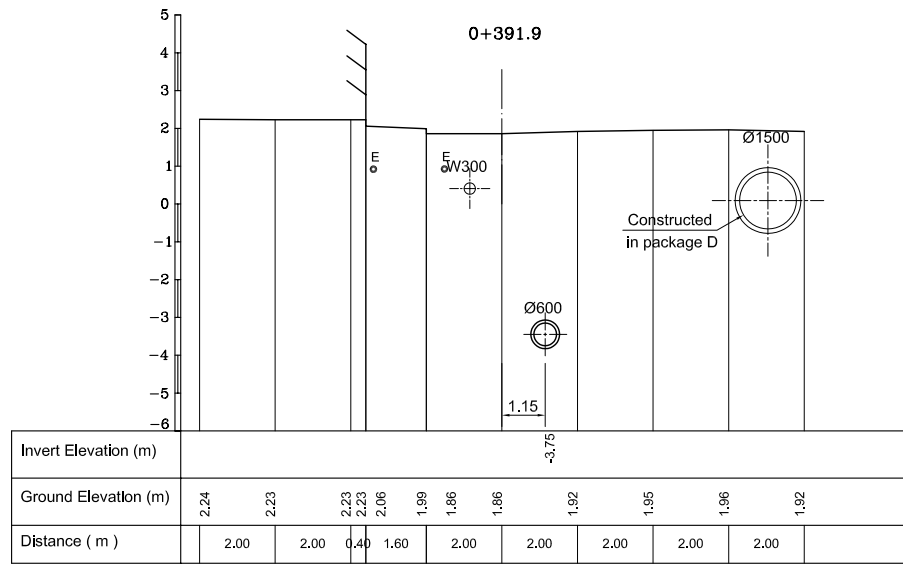
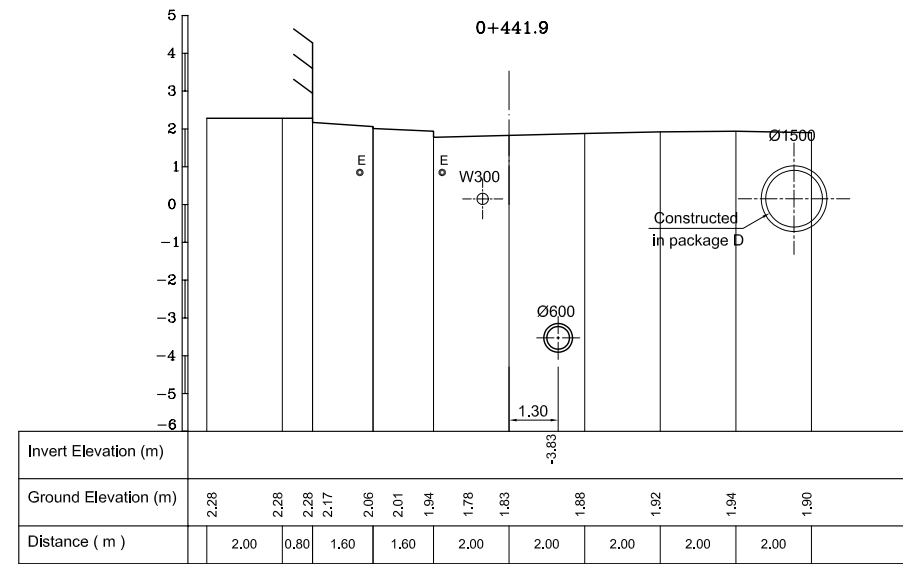
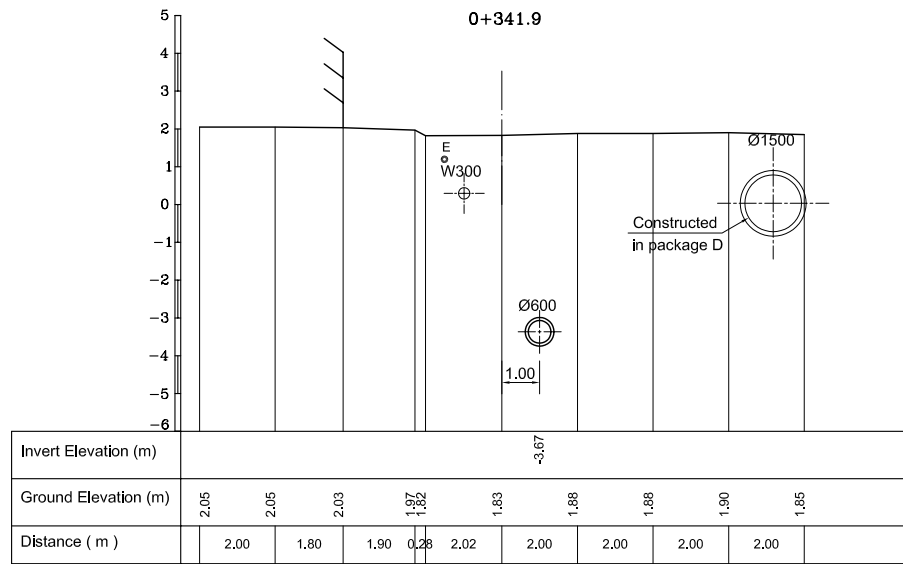
SCALE : 1 : 100

JAPAN INTERNATIONAL COOPERATION AGENCY (JICA)

PACIFIC CONSULTANTS INTERNATIONAL

DESIGNED SATO NOBUYUKI	CHECKED KONDO MASAMI
---------------------------	-------------------------

DATE : JUNE 2001 DWG. No. PC - ISC -278



LEGEND

- Ø300 (Diameter) Secondary Interceptor Sewer
- Arch 0.8x1.4 Existing Drainage Pipe
- Ø800 Existing Drainage Pipe
- W300 (Diameter) Existing Water Supply Pipe
- T Existing Telephone Cable
- E Existing Electric Cable

NO.	DATE	DESCRIPTIONS	BY	APRO.

REVISIONS

PROJECT MANAGEMENT UNIT FOR
HO CHI MINH CITY
WATER ENVIRONMENT IMPROVEMENT

THE DETAILED DESIGN ON HO CHI MINH CITY
WATER ENVIRONMENT IMPROVEMENT PROJECT
IN THE SOCIALIST REPUBLIC OF VIET NAM

PACKAGE C
INTERCEPTOR SEWER CONSTRUCTION
CROSS SECTION OF
SECONDARY INTERCEPTOR (22)
(NGUYEN BIEU)

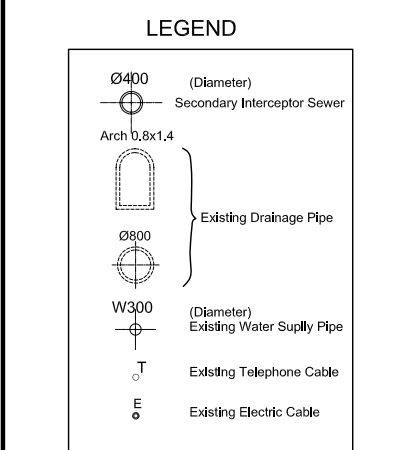
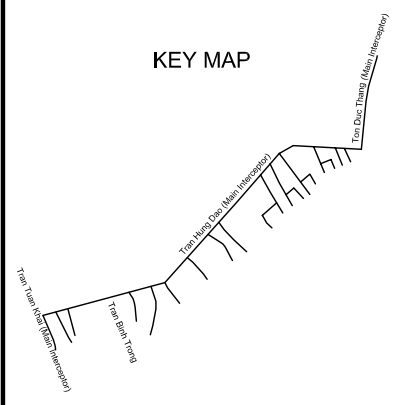
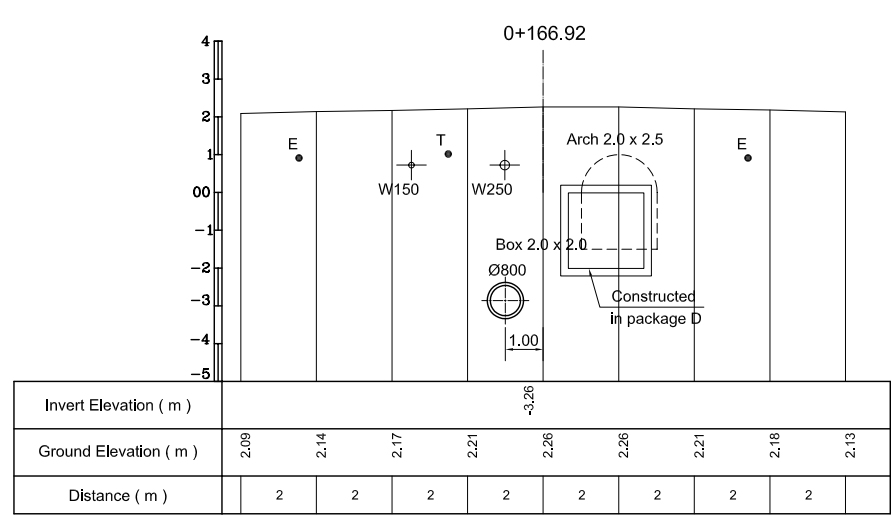
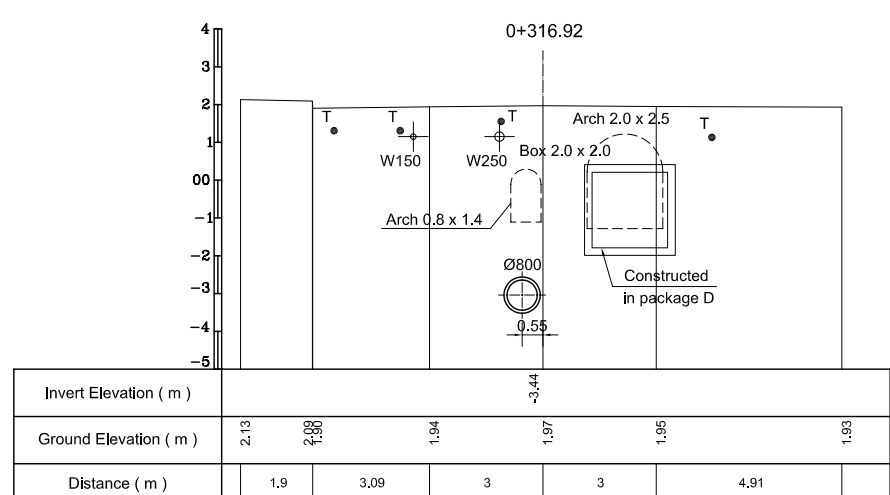
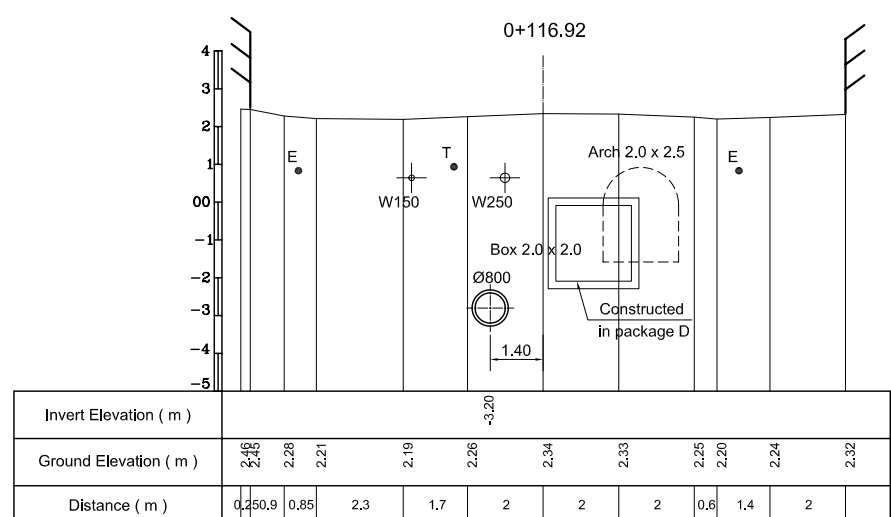
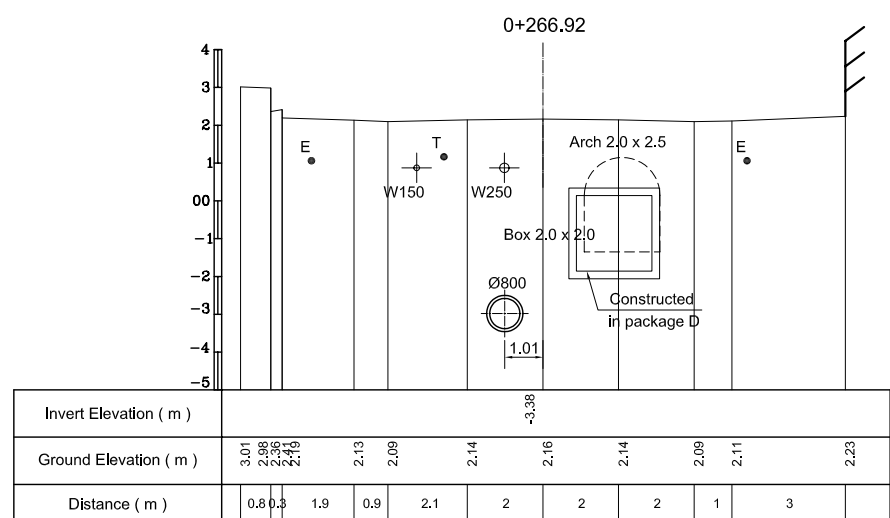
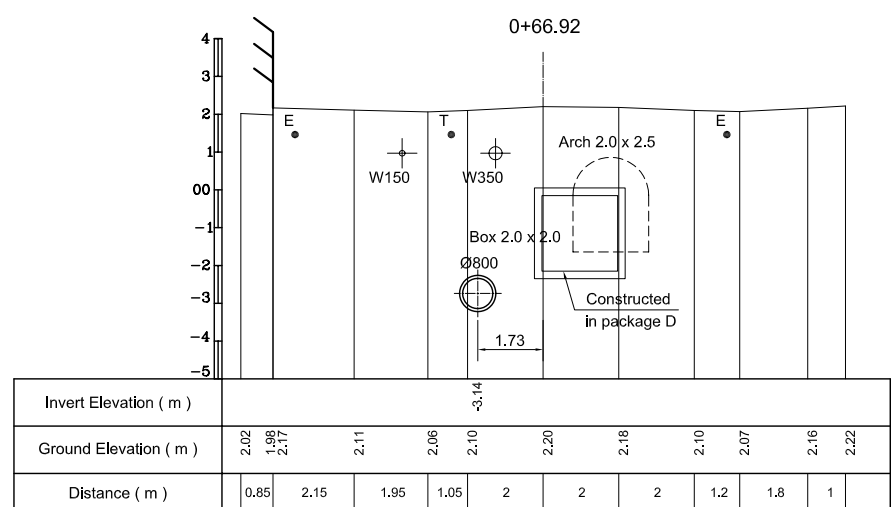
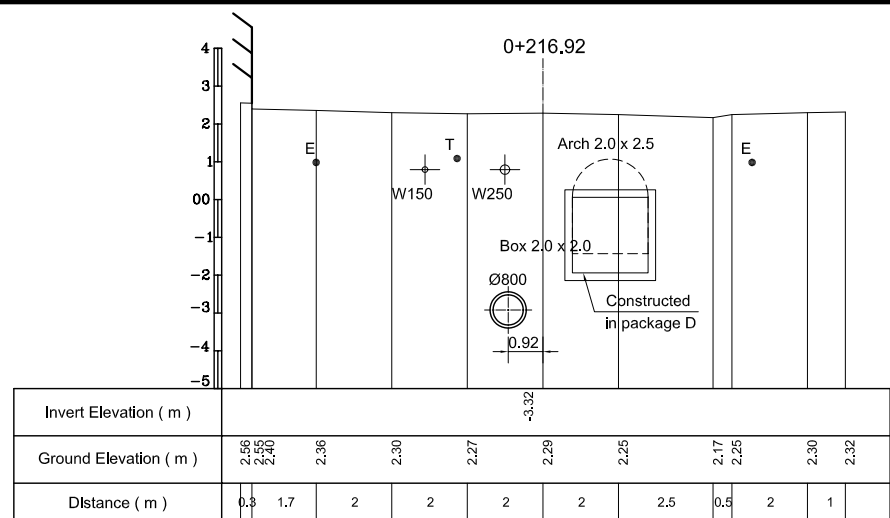
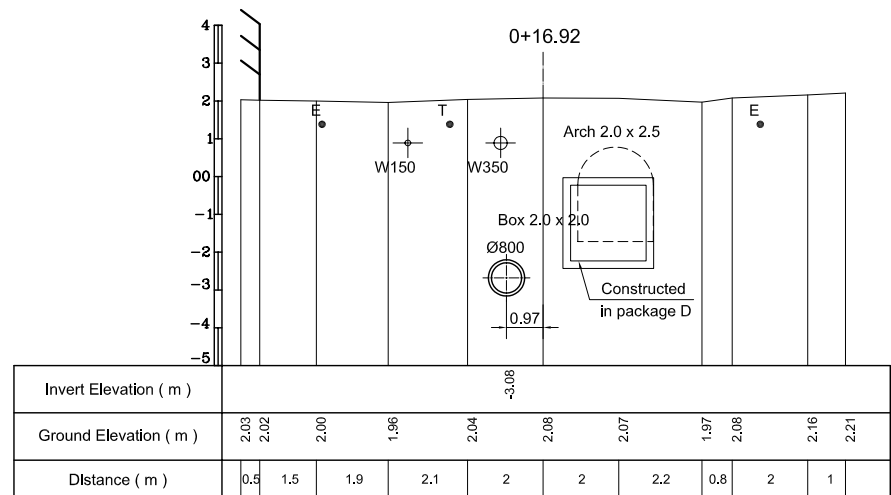
SCALE : 1 : 100

JICA JAPAN INTERNATIONAL COOPERATION AGENCY (JICA)

PACIFIC CONSULTANTS INTERNATIONAL

DESIGNED SATO NOBUYUKI	CHECKED KONDO MASAMI
---------------------------	-------------------------

DATE : JUNE 2001 DWG. No. PC - ISC -279



NO.	DATE	DESCRIPTIONS	BY	APRO.

REVISIONS

PROJECT MANAGEMENT UNIT FOR
HO CHI MINH CITY
WATER ENVIRONMENT IMPROVEMENT

THE DETAILED DESIGN ON HO CHI MINH CITY
WATER ENVIRONMENT IMPROVEMENT PROJECT
IN THE SOCIALIST REPUBLIC OF VIET NAM

PACKAGE C
INTERCEPTOR SEWER CONSTRUCTION
CROSS SECTION OF
SECONDARY INTERCEPTOR (23)
(TRAN BINH TRONG)

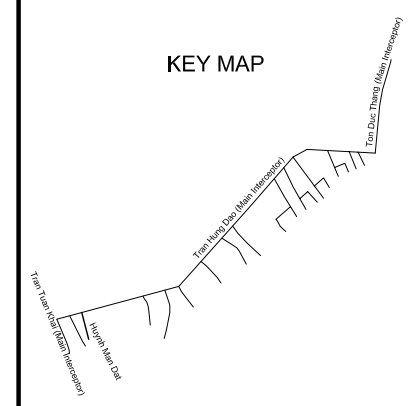
SCALE : 1 : 100

JICA JAPAN INTERNATIONAL COOPERATION
AGENCY (JICA)

PACIFIC CONSULTANTS INTERNATIONAL

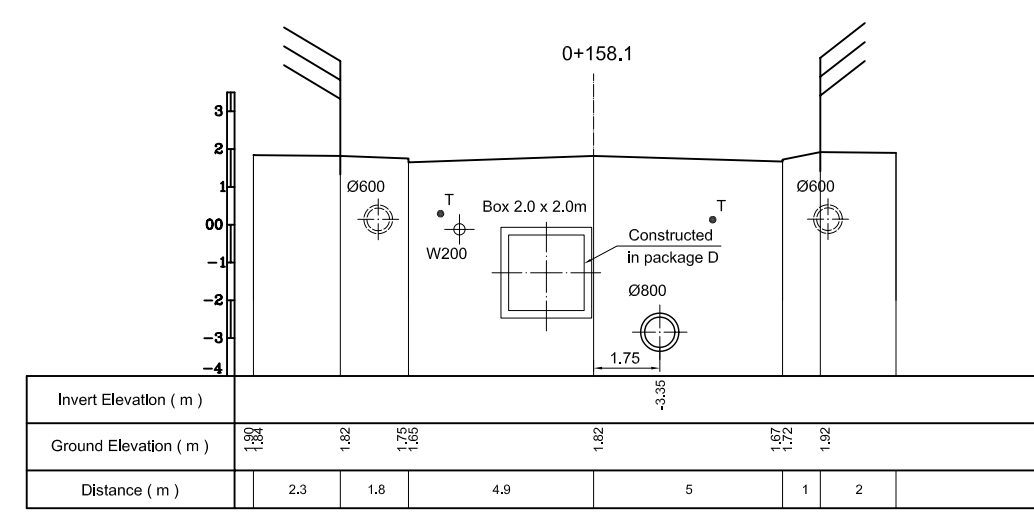
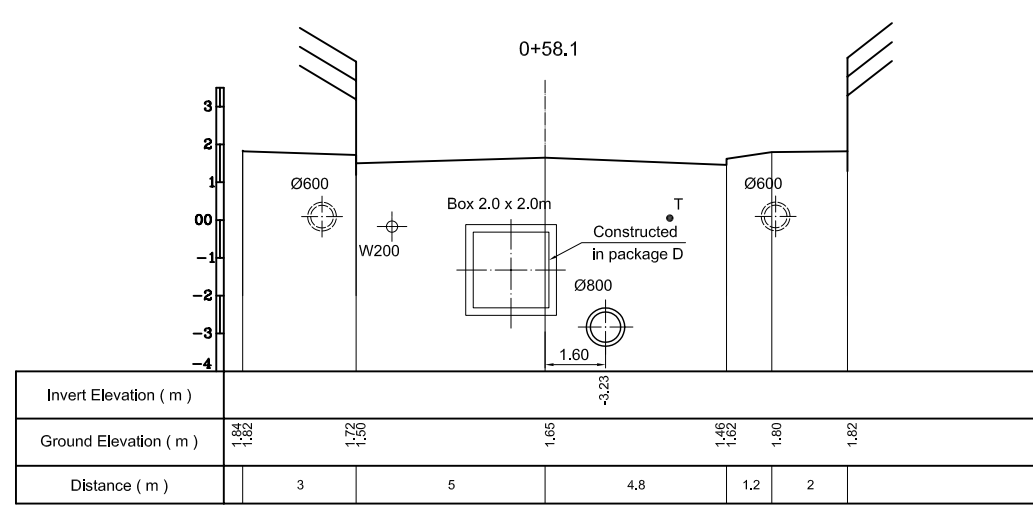
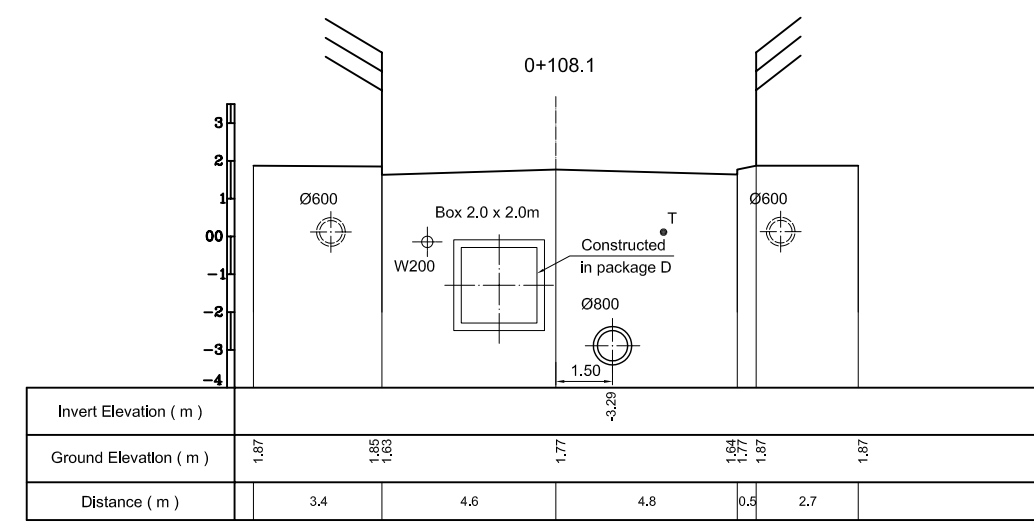
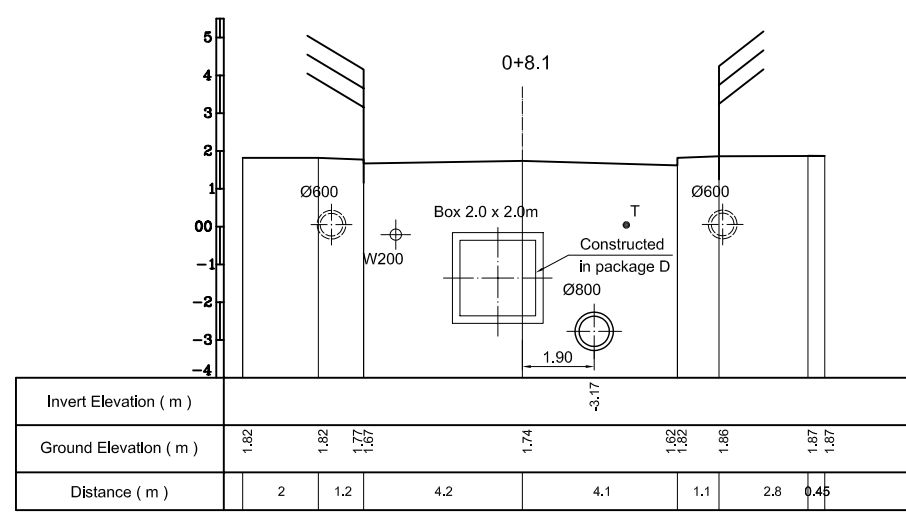
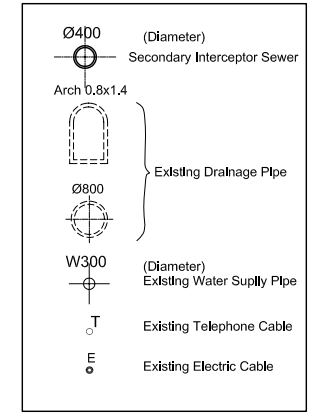
DESIGNED SATO NOBUYUKI CHECKED KONDO MASAMI

DATE : JUNE 2001 DWG. No. PC - ISC - 280



KEY MAP

LEGEND



NO.	DATE	DESCRIPTIONS	BY	APRO.

REVISIONS				
-----------	--	--	--	--

PROJECT MANAGEMENT UNIT FOR
HO CHI MINH CITY
WATER ENVIRONMENT IMPROVEMENT

THE DETAILED DESIGN ON HO CHI MINH CITY
WATER ENVIRONMENT IMPROVEMENT PROJECT
IN THE SOCIALIST REPUBLIC OF VIET NAM

PACKAGE C
INTERCEPTOR SEWER CONSTRUCTION
CROSS SECTION OF
SECONDARY INTERCEPTOR (24)
(HUYNH MAN DAT)

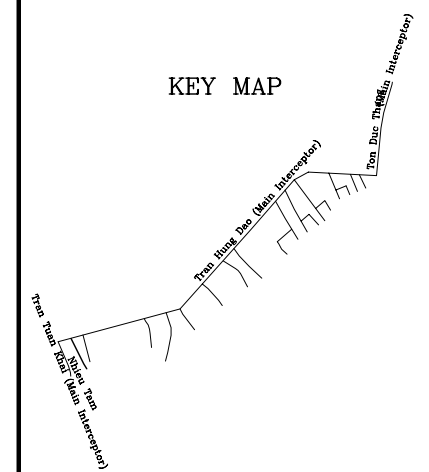
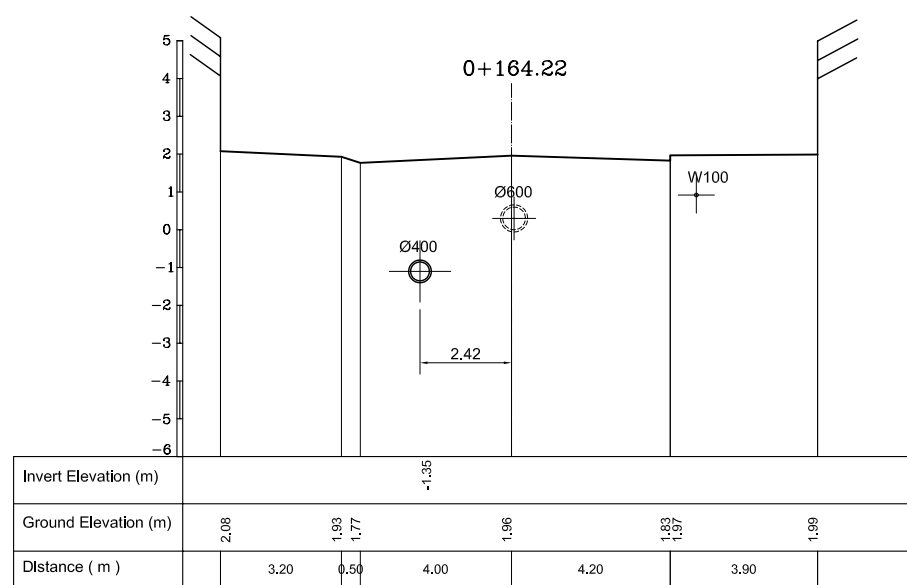
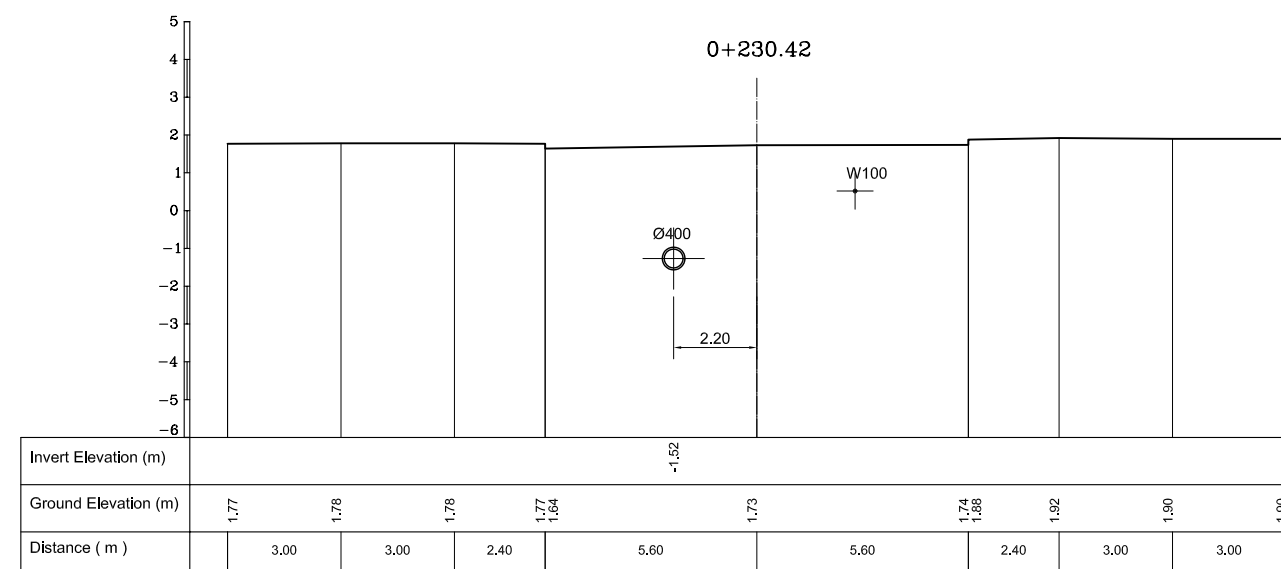
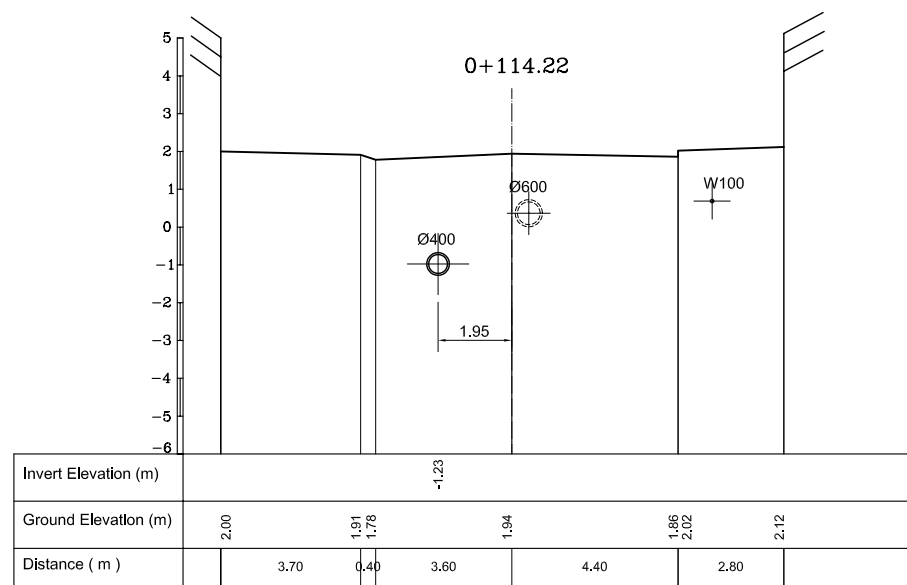
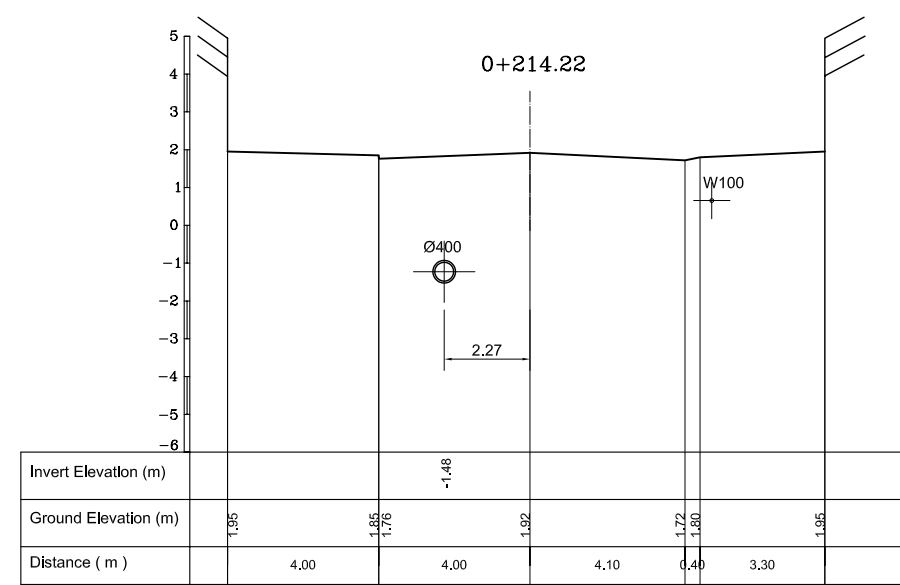
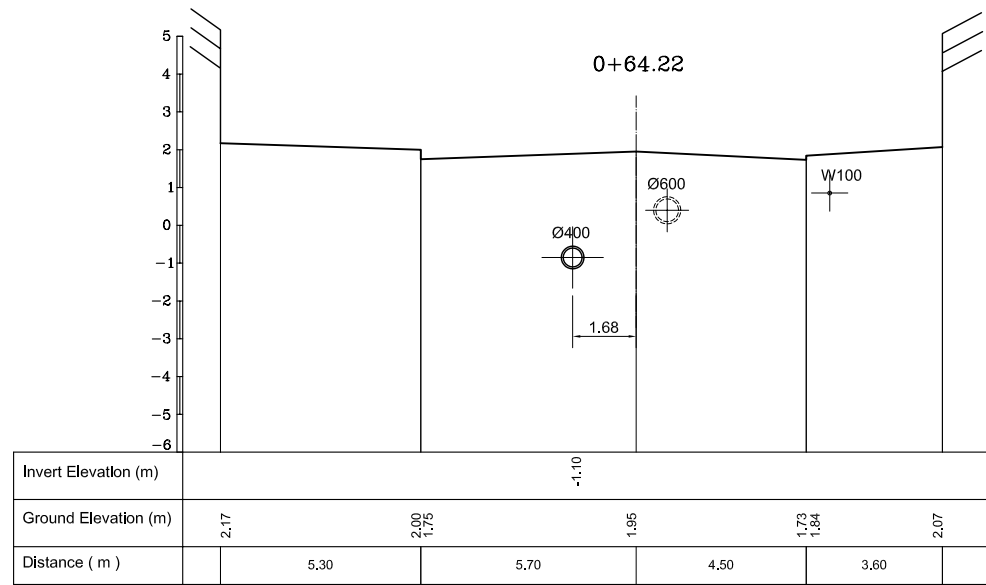
SCALE : 1 : 100

JICA JAPAN INTERNATIONAL COOPERATION
AGENCY (JICA)

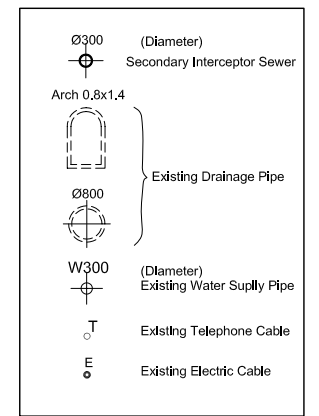
PACIFIC CONSULTANTS INTERNATIONAL

DESIGNED SATO NOBUYUKI	CHECKED KONDO MASAMI
---------------------------	-------------------------

DATE : JUNE 2001 DWG. No. PC - ISC -281



LEGEND



NO.	DATE	DESCRIPTIONS	BY	APRO.

REVISIONS

PROJECT MANAGEMENT UNIT FOR
HO CHI MINH CITY
WATER ENVIRONMENT IMPROVEMENT

THE DETAILED DESIGN ON HO CHI MINH CITY
WATER ENVIRONMENT IMPROVEMENT PROJECT
IN THE SOCIALIST REPUBLIC OF VIET NAM

PACKAGE C
INTERCEPTOR SEWER CONSTRUCTION
CROSS SECTION OF
SECONDARY INTERCEPTOR (25)
(NHIEU TAM)

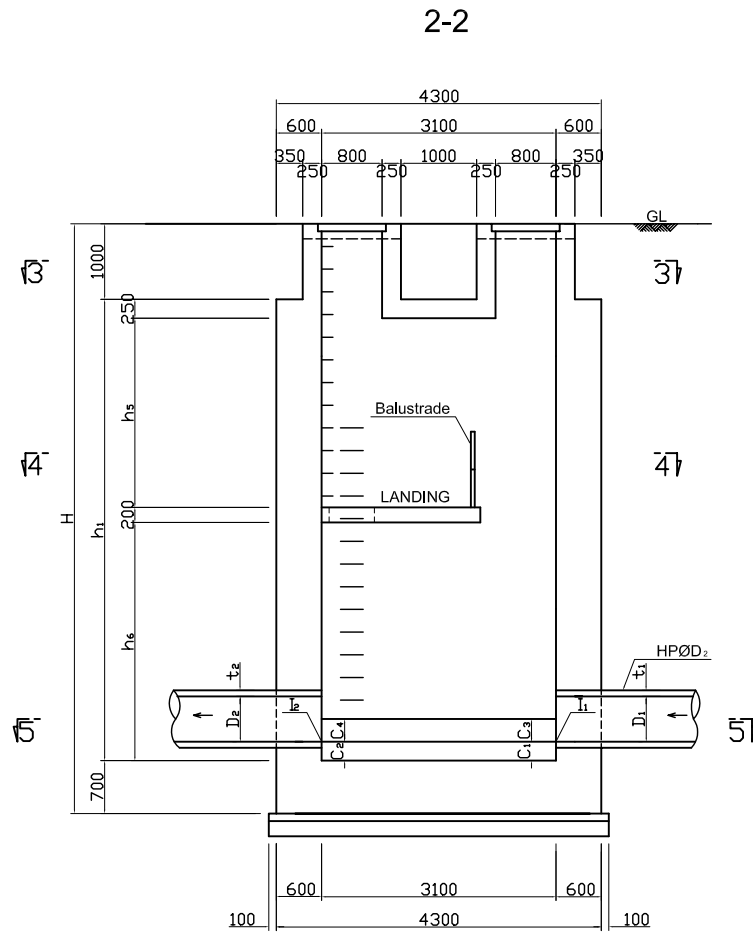
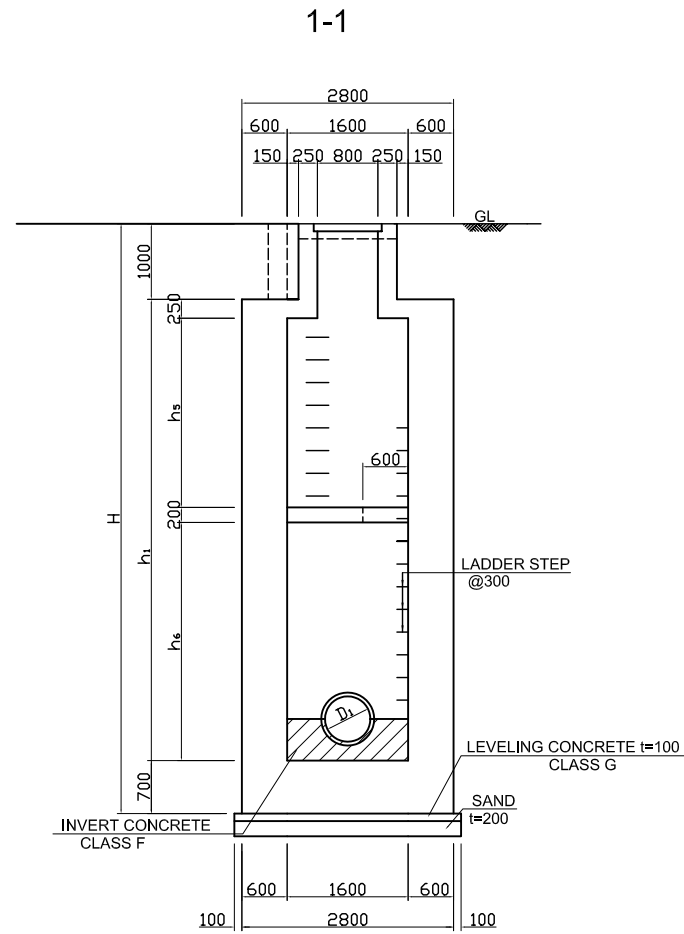
SCALE : 1 : 100

JICA JAPAN INTERNATIONAL COOPERATION
AGENCY (JICA)

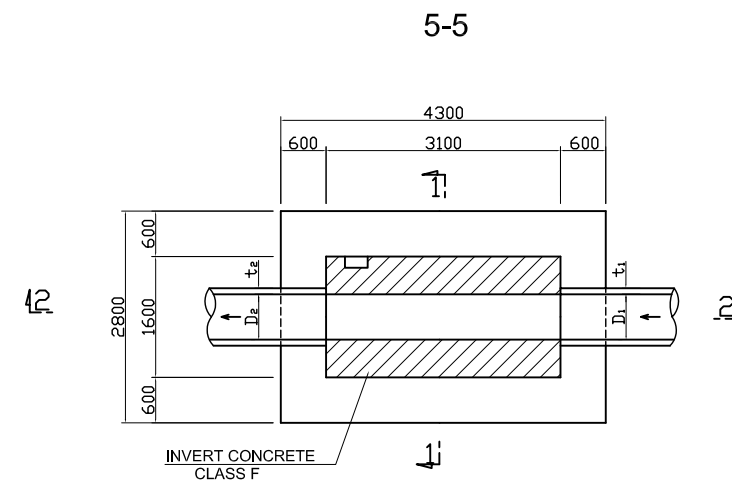
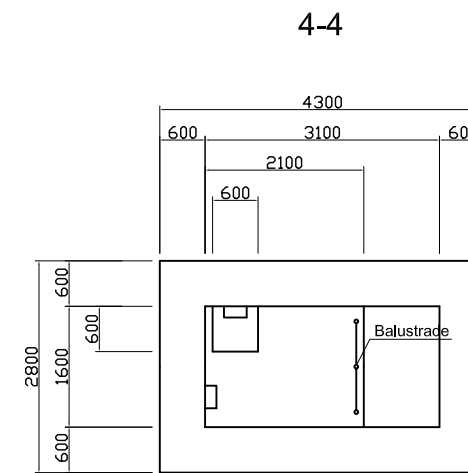
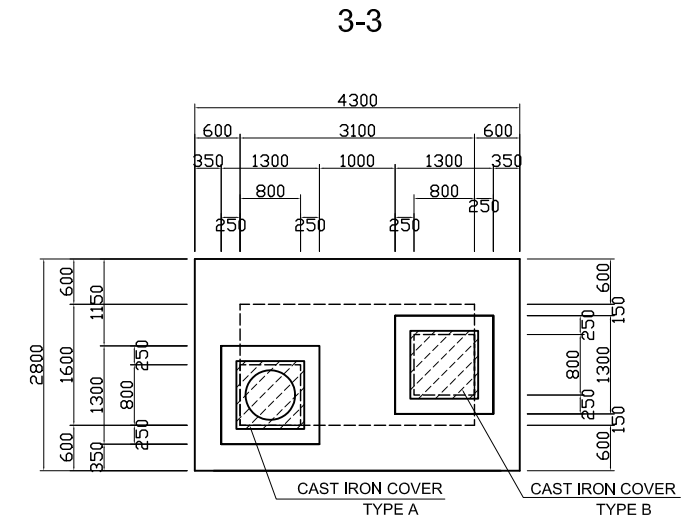
PACIFIC CONSULTANTS INTERNATIONAL

DESIGNED SATO NOBUYUKI CHECKED KONDO MASAMI

DATE : JUNE 2001 DWG. No. PC - ISC -282



When $h_3 = 0\text{mm}$, Landing will not be constructed



NO.	DATE	DESCRIPTIONS	BY	APRO.

REVISIONS

PROJECT MANAGEMENT UNIT FOR
HO CHI MINH CITY
WATER ENVIRONMENT IMPROVEMENT

THE DETAILED DESIGN ON HO CHI MINH CITY
WATER ENVIRONMENT IMPROVEMENT PROJECT
IN THE SOCIALIST REPUBLIC OF VIET NAM

PACKAGE C
INTERCEPTOR SEWER CONSTRUCTION
TYPICAL PLAN AND SECTION OF
MANHOLE FOR MAIN INTERCEPTOR (1)
TYPE SPM1 (Ø300 - Ø600)

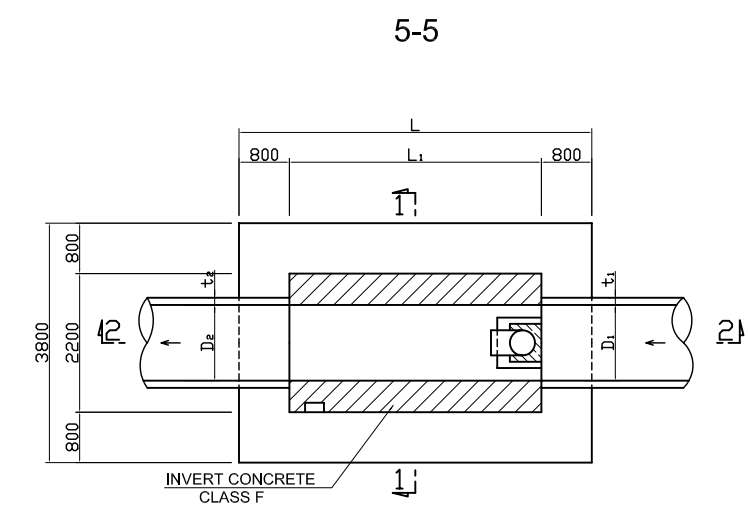
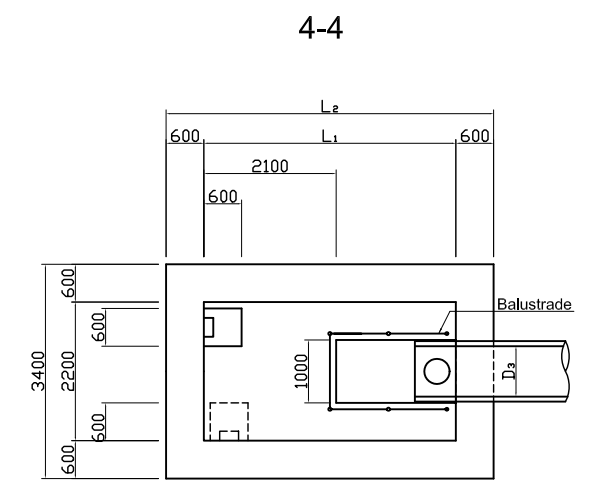
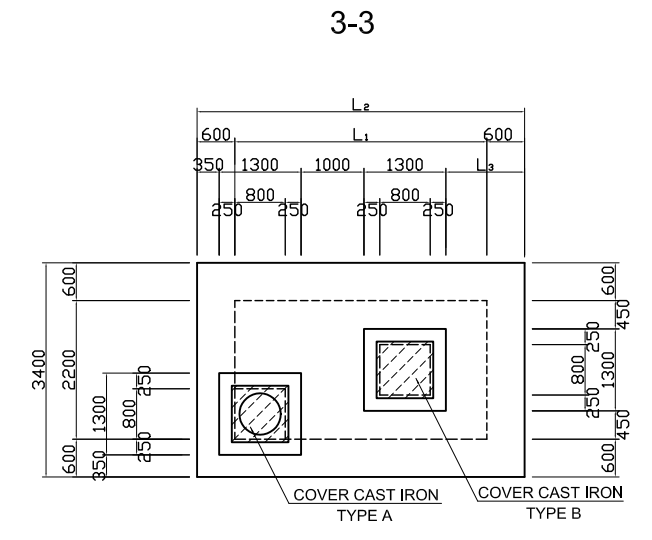
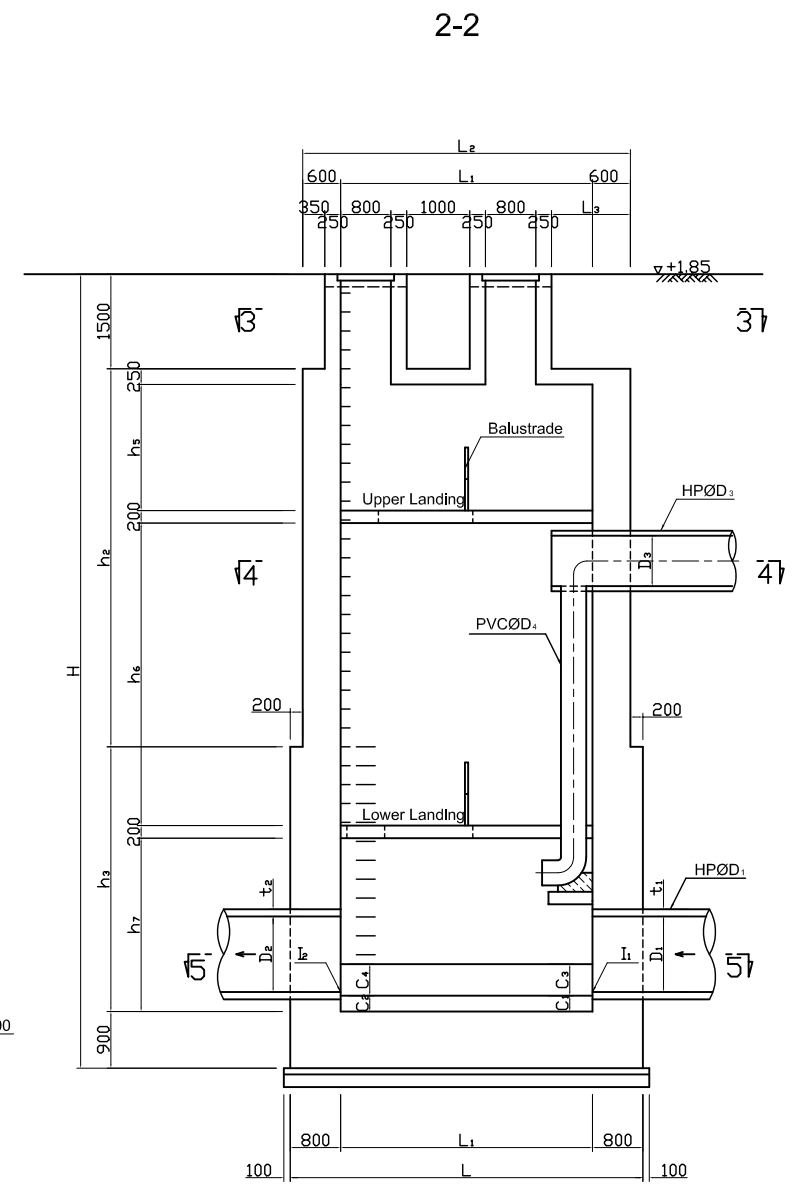
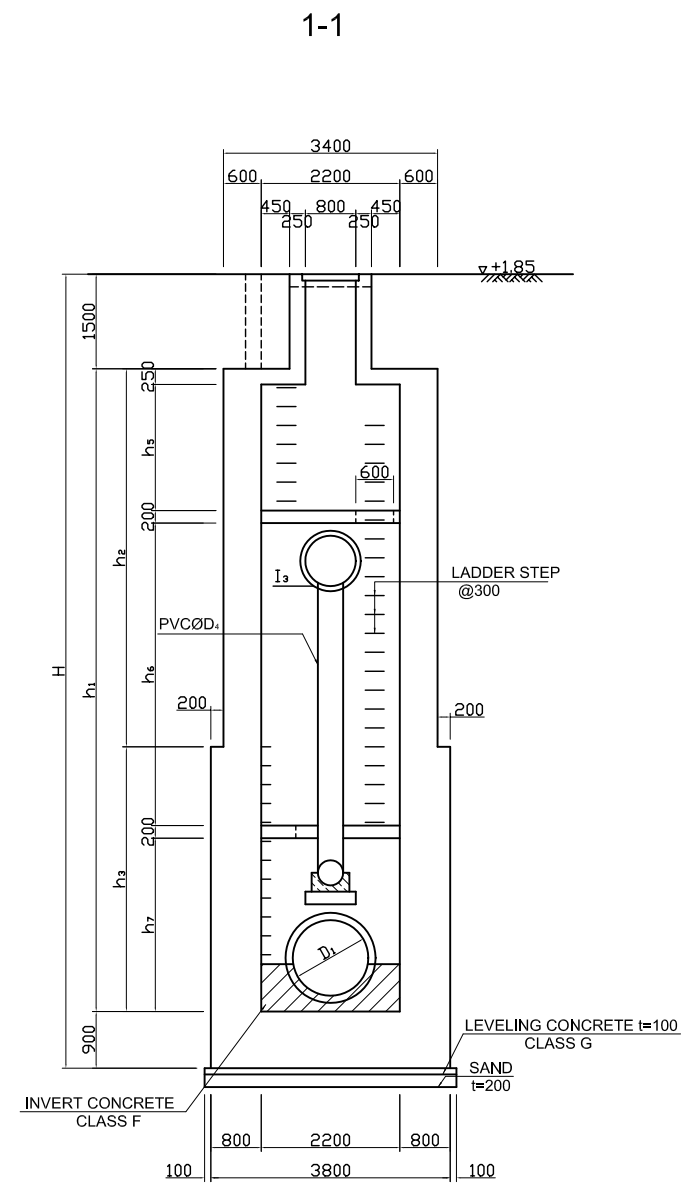
SCALE : 1/50

JICA JAPAN INTERNATIONAL COOPERATION
AGENCY (JICA)

PACIFIC CONSULTANTS INTERNATIONAL

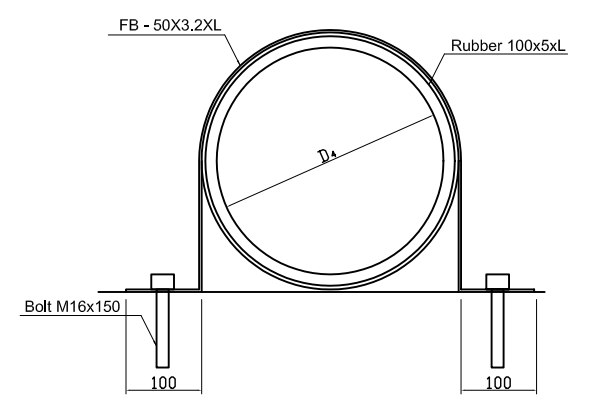
DESIGNED SATO NOBUYUKI
CHECKED KONDO MASAMI

DATE : JUNE 2001 DWG. No. PC - ISC - 283

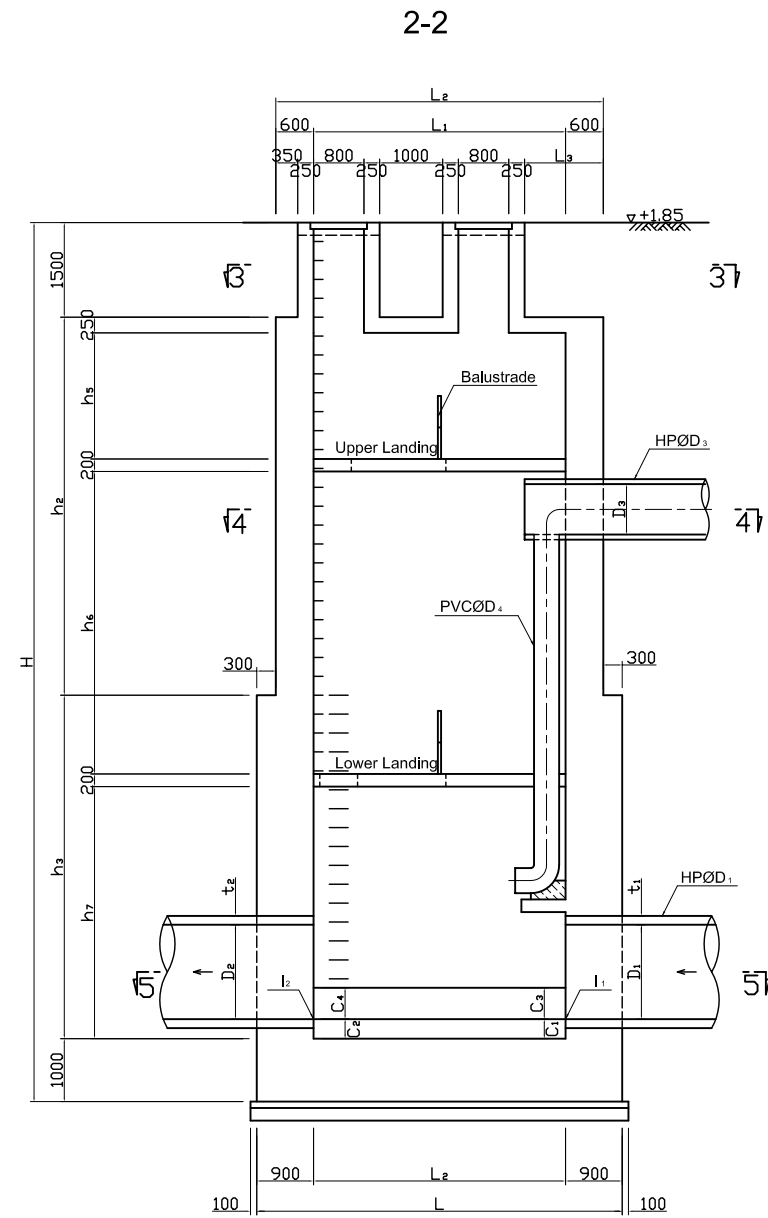
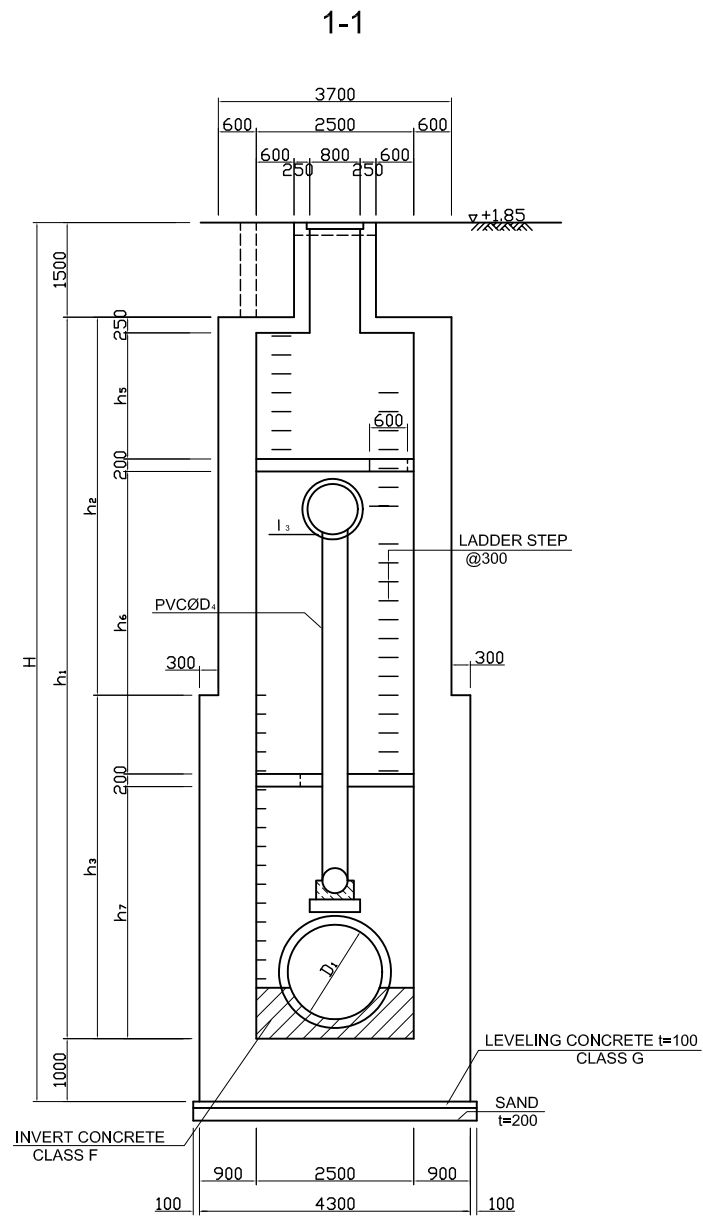


When $h_7 = 0$, Lower Landing will not be constructed

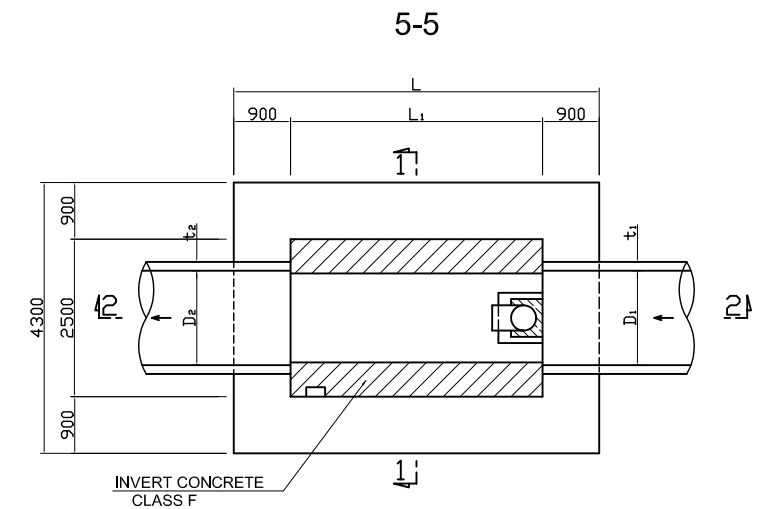
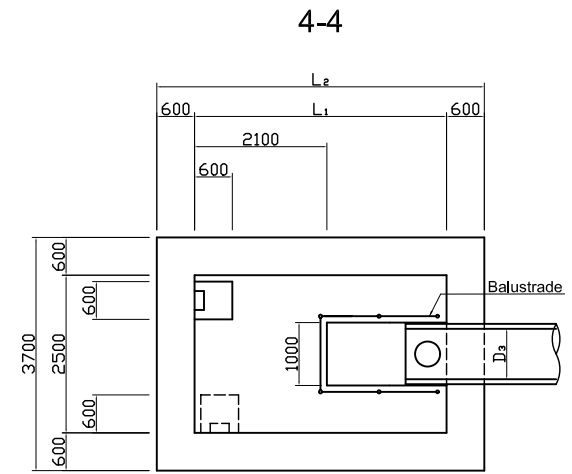
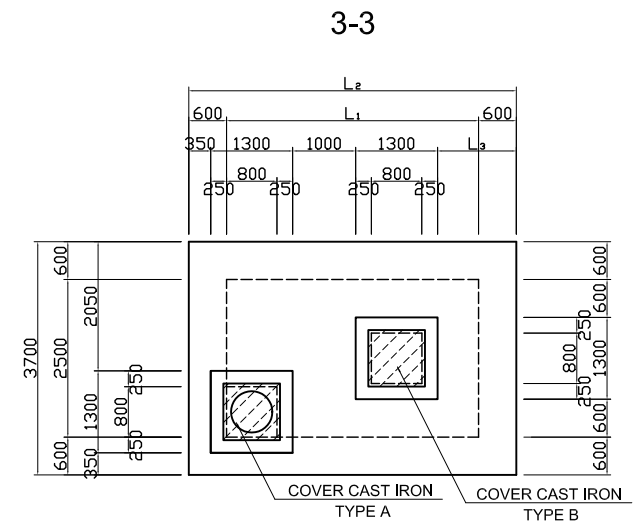
SUPPORT FOR DROP PIPE



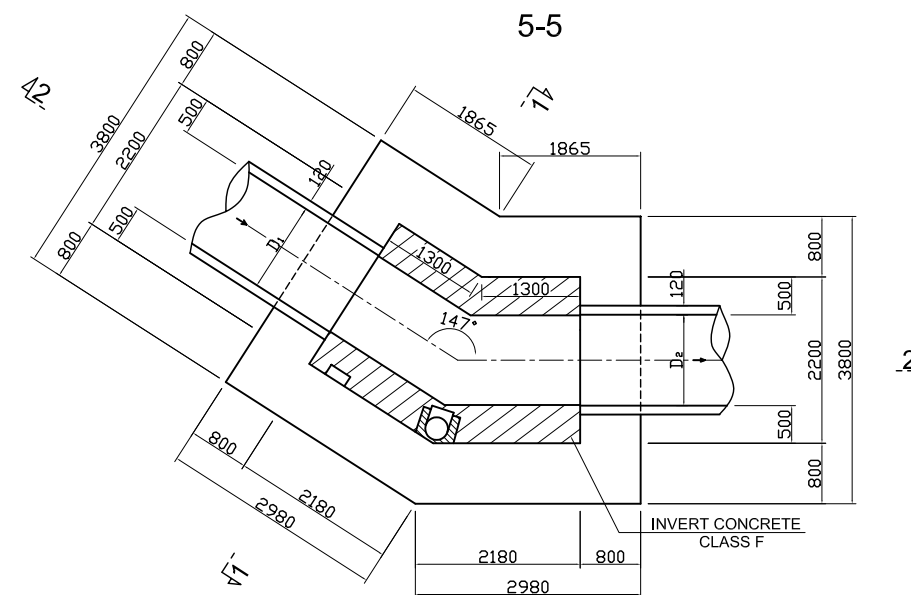
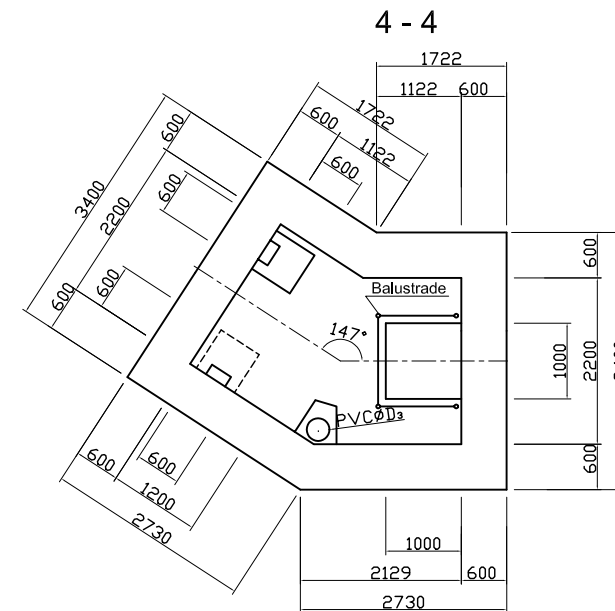
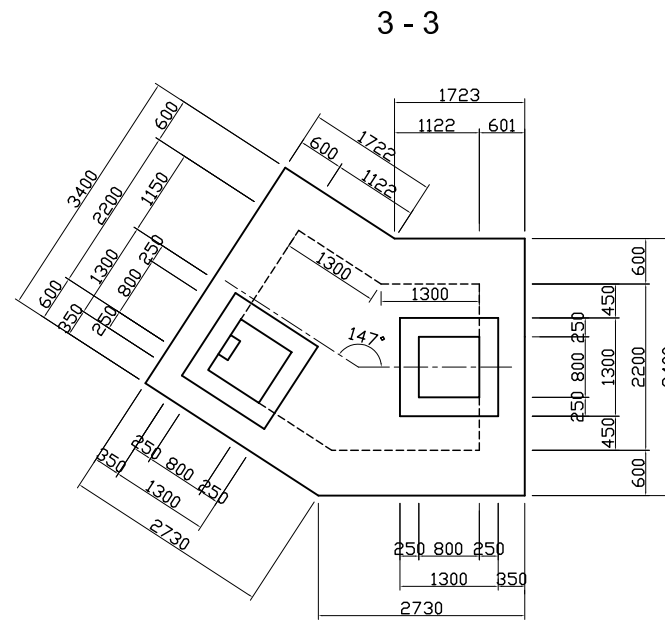
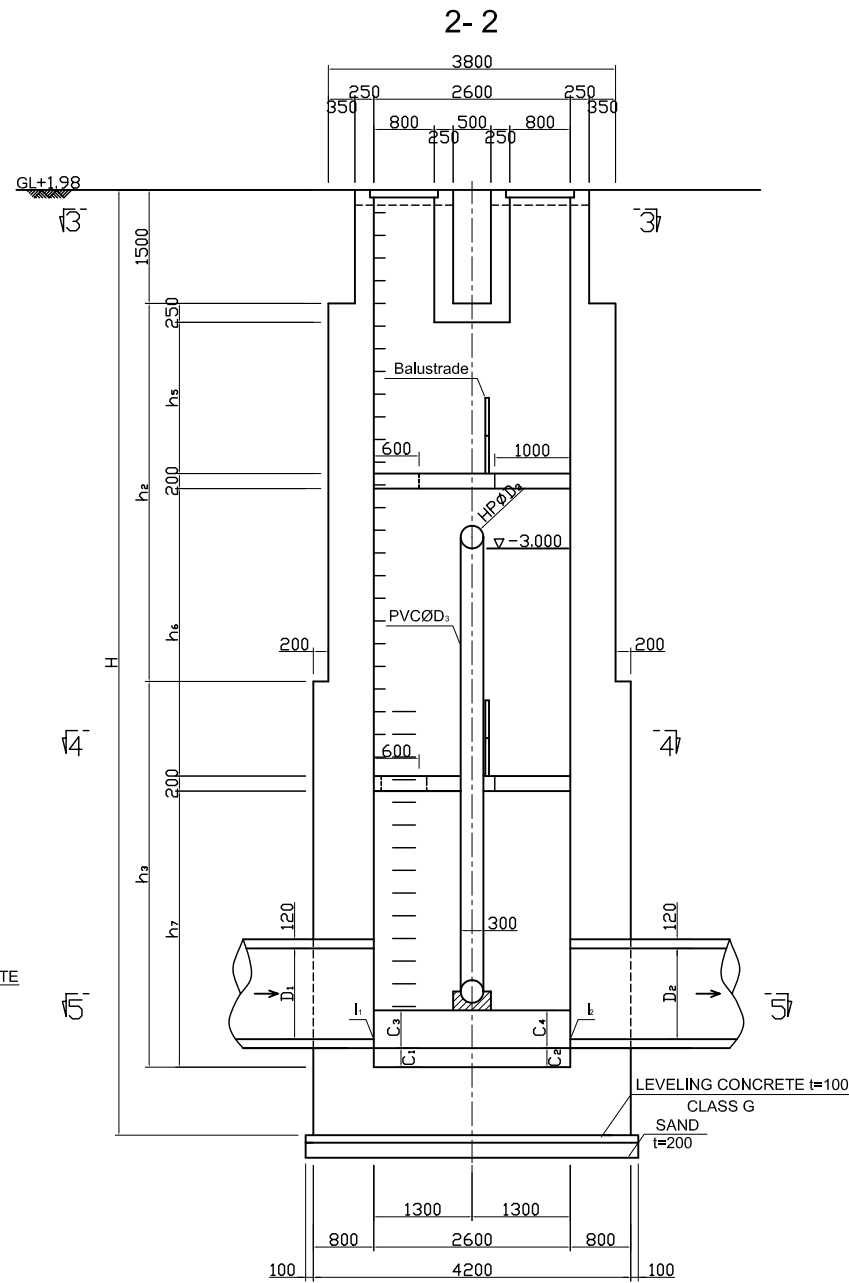
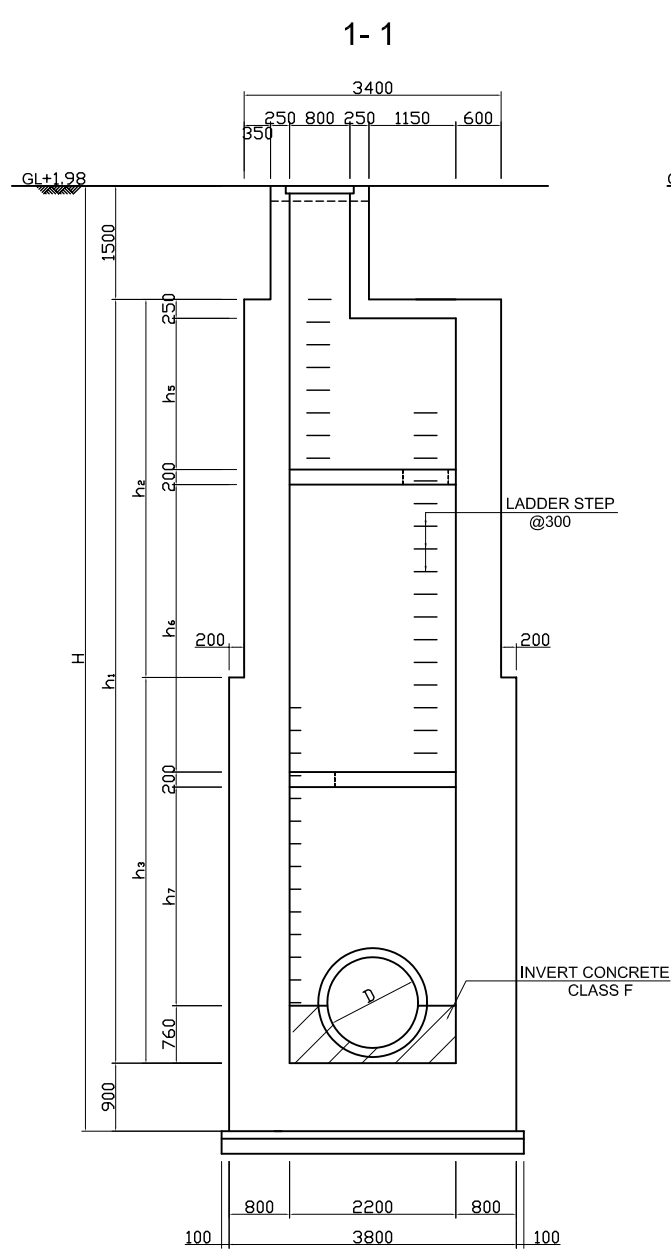
NO.	DATE	DESCRIPTIONS	BY	APRO.
REVISIONS				
PROJECT MANAGEMENT UNIT FOR HO CHI MINH CITY WATER ENVIRONMENT IMPROVEMENT				
THE DETAILED DESIGN ON HO CHI MINH CITY WATER ENVIRONMENT IMPROVEMENT PROJECT IN THE SOCIALIST REPUBLIC OF VIET NAM				
PACKAGE C INTERCEPTOR SEWER CONSTRUCTION TYPICAL PLAN AND SECTION OF MANHOLE FOR MAIN INTERCEPTOR (2) TYPE SPM2 (Ø800 - Ø1200)				
SCALE : 1/60				
JAPAN INTERNATIONAL COOPERATION AGENCY (JICA)				
PACIFIC CONSULTANTS INTERNATIONAL				
DESIGNED SATO NOBUYUKI		CHECKED KONDO MASAMI		
DATE : JUNE 2001		DWG. No. PC - ISC - 284		



When h_r = 0, Lower Landing will not be constructed



NO.	DATE	DESCRIPTIONS	BY	APRO.
REVISIONS				
PROJECT MANAGEMENT UNIT FOR HO CHI MINH CITY WATER ENVIRONMENT IMPROVEMENT				
THE DETAILED DESIGN ON HO CHI MINH CITY WATER ENVIRONMENT IMPROVEMENT PROJECT IN THE SOCIALIST REPUBLIC OF VIET NAM				
PACKAGE C INTERCEPTOR SEWER CONSTRUCTION TYPICAL PLAN AND SECTION OF MANHOLE FOR MAIN INTERCEPTOR (3) TYPE SPM3 (Ø1500)				
SCALE : 1/60				
JAPAN INTERNATIONAL COOPERATION AGENCY (JICA)				
PACIFIC CONSULTANTS INTERNATIONAL				
DESIGNED SATO NOBUYUKI		CHECKED KONDO MASAMI		
DATE : JUNE 2001		DWG. No. PC - ISC - 285		



NO.	DATE	DESCRIPTIONS	BY	APRO.

REVISIONS

PROJECT MANAGEMENT UNIT FOR
HO CHI MINH CITY
WATER ENVIRONMENT IMPROVEMENT

THE DETAILED DESIGN ON HO CHI MINH CITY
WATER ENVIRONMENT IMPROVEMENT PROJECT
IN THE SOCIALIST REPUBLIC OF VIET NAM

PACKAGE C
INTERCEPTOR SEWER CONSTRUCTION
TYPICAL PLAN AND SECTION OF
MANHOLE FOR MAIN INTERCEPTOR (5)
TYPE SPM 5

SCALE : 1/50

JICA JAPAN INTERNATIONAL COOPERATION
AGENCY (JICA)

PACIFIC CONSULTANTS INTERNATIONAL

DESIGNED
SATO NOBUYUKI

CHECKED
KONDO MASAMI

DATE : JUNE 2001 DWG. No. PC - ISC - 287