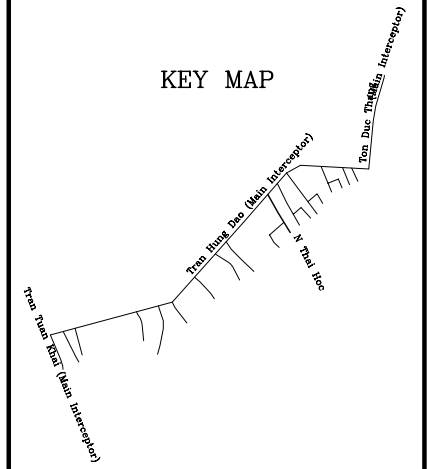
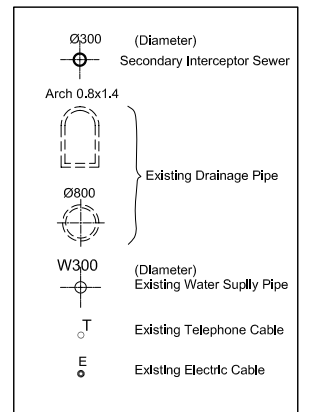


KEY MAP



LEGEND



NO.	DATE	DESCRIPTIONS	BY	APRO.
-----	------	--------------	----	-------

REVISIONS

PROJECT MANAGEMENT UNIT FOR
HO CHI MINH CITY
WATER ENVIRONMENT IMPROVEMENT

THE DETAILED DESIGN ON HO CHI MINH CITY
WATER ENVIRONMENT IMPROVEMENT PROJECT
IN THE SOCIALIST REPUBLIC OF VIET NAM

PACKAGE C
INTERCEPTOR SEWER CONSTRUCTION
CROSS SECTION OF
SECONDARY INTERCEPTOR (12)
(NGUYEN THAI HOC)

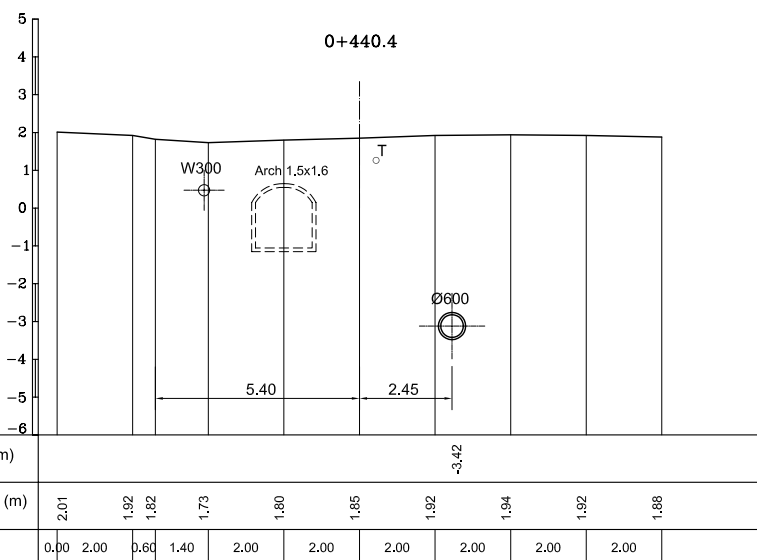
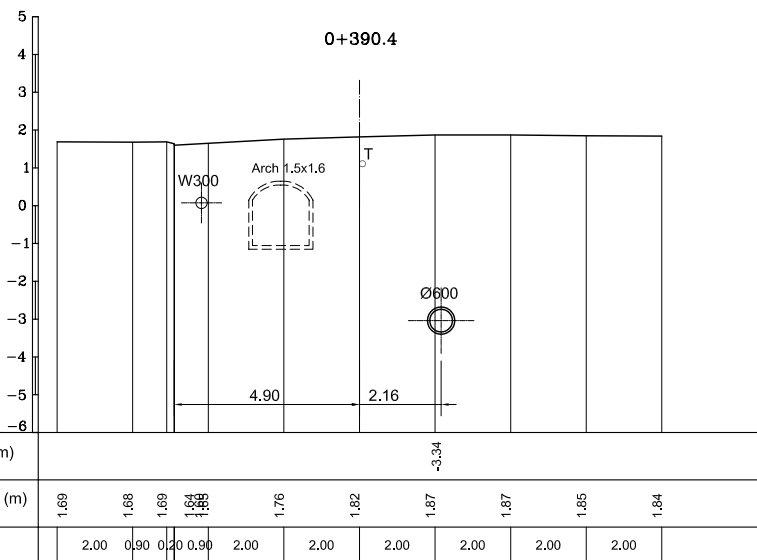
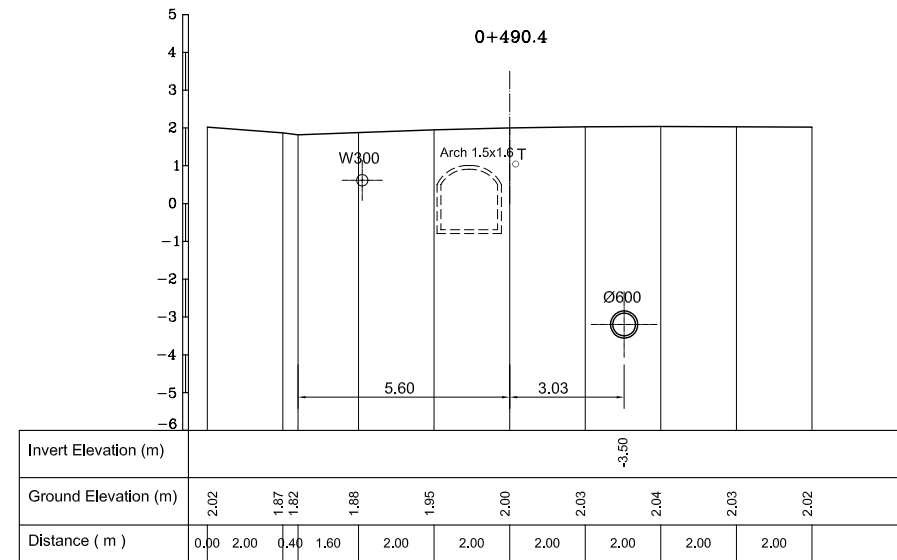
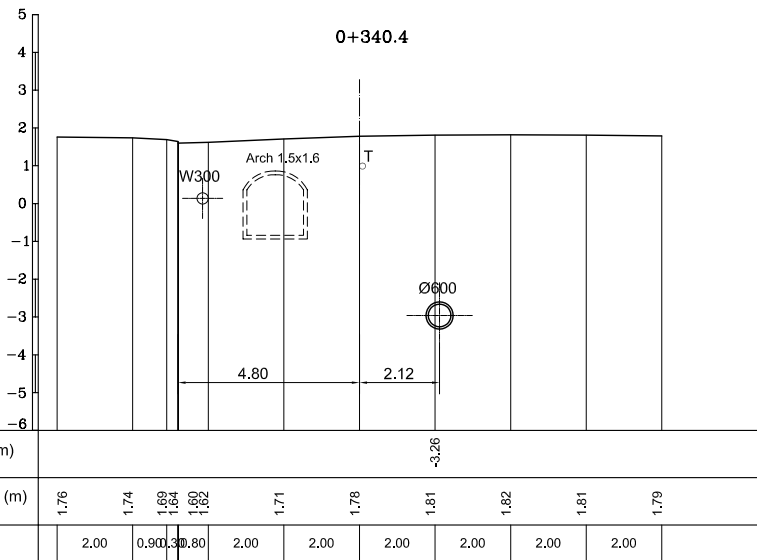
SCALE : 1 : 100

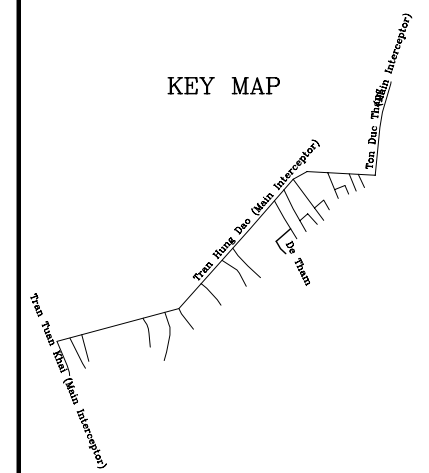
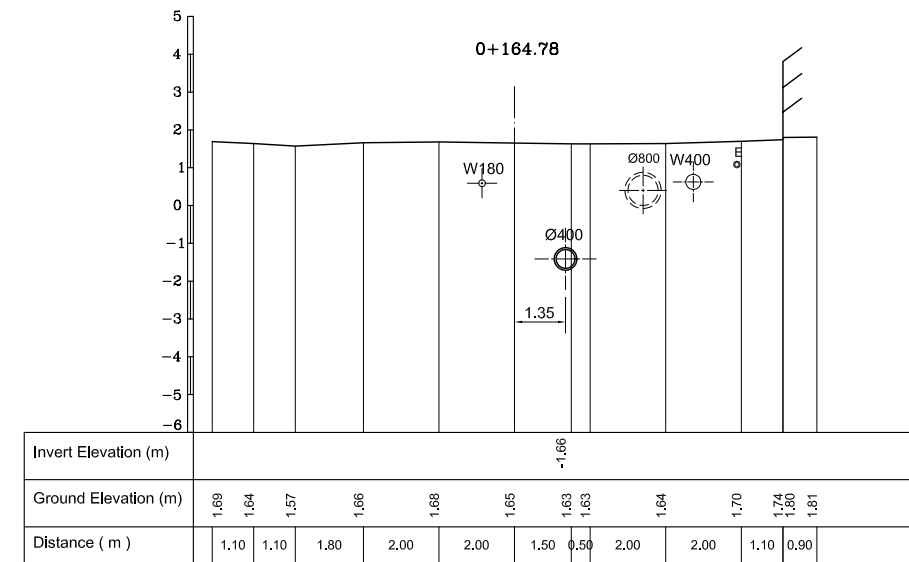
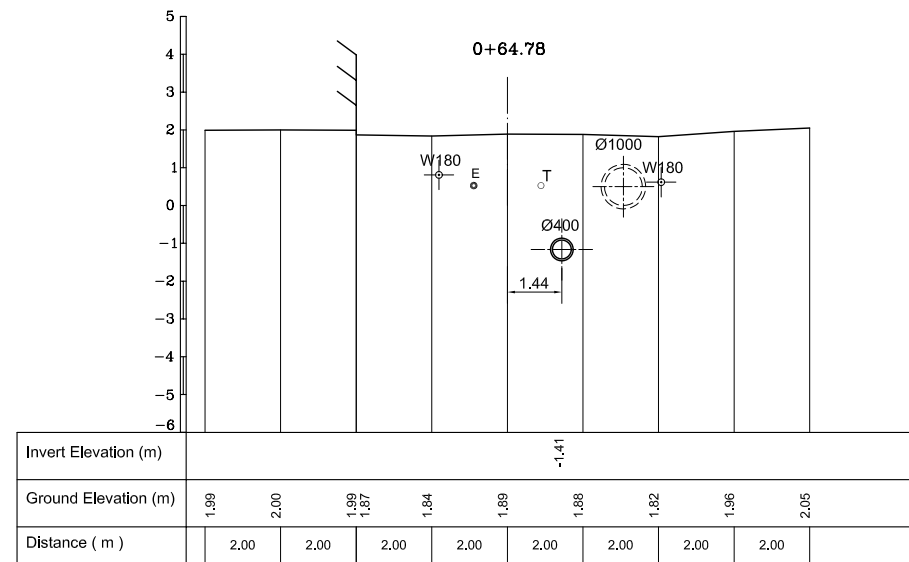
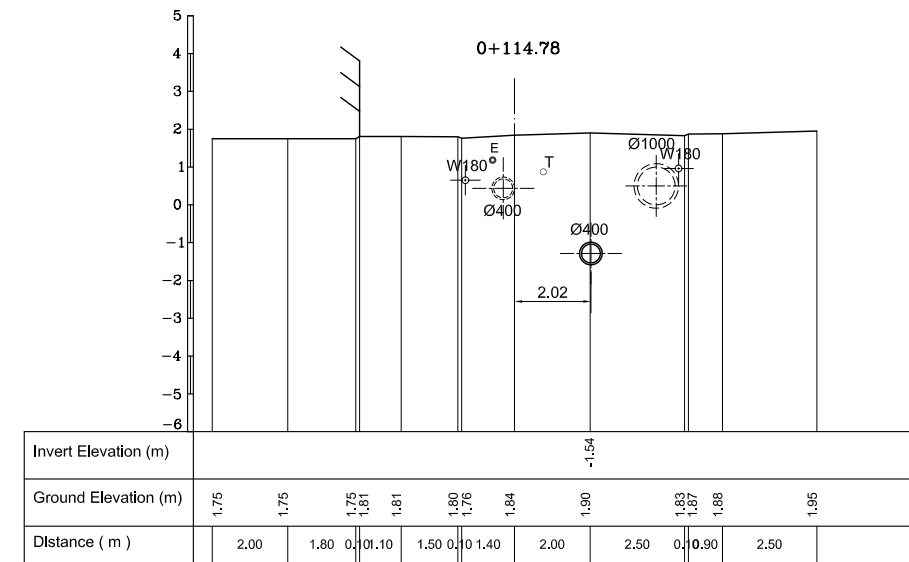
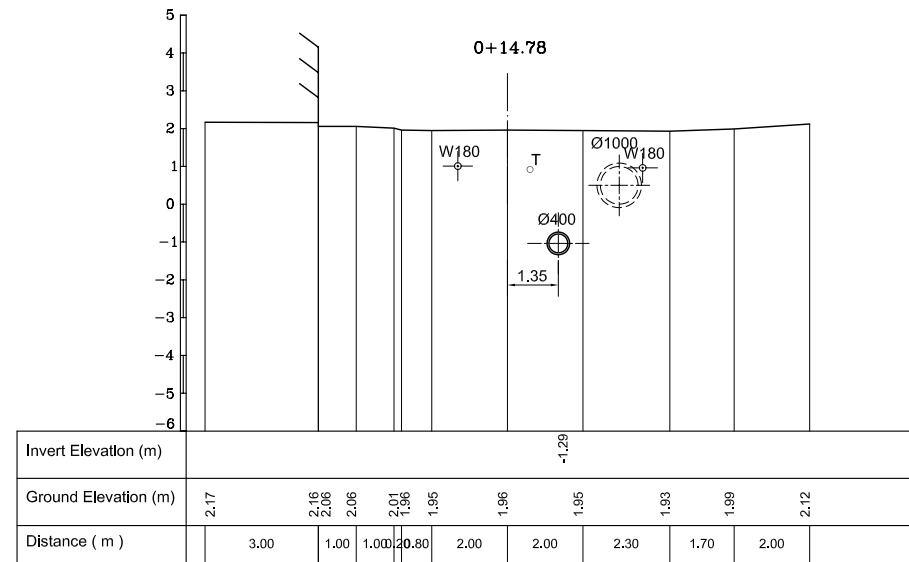
JICA JAPAN INTERNATIONAL COOPERATION AGENCY (JICA)

PACIFIC CONSULTANTS INTERNATIONAL

DESIGNED SATO NOBUYUKI	CHECKED KONDO MASAMI
---------------------------	-------------------------

DATE : JUNE 2001 DWG. No. PC - ISC -269





LEGEND

- ⊕ (Diameter) Secondary Interceptor Sewer
- ⊕ (Diameter) Existing Water Supply Pipe
- ⊕ (Diameter) Existing Telephone Cable
- ⊕ (Diameter) Existing Electric Cable
- Arch 0.8x1.4 Existing Drainage Pipe

NO.	DATE	DESCRIPTIONS	BY	APRO.
-----	------	--------------	----	-------

REVISIONS

PROJECT MANAGEMENT UNIT FOR
HO CHI MINH CITY
WATER ENVIRONMENT IMPROVEMENT

THE DETAILED DESIGN ON HO CHI MINH CITY
WATER ENVIRONMENT IMPROVEMENT PROJECT
IN THE SOCIALIST REPUBLIC OF VIET NAM

PACKAGE C
INTERCEPTOR SEWER CONSTRUCTION
CROSS SECTION OF
SECONDARY INTERCEPTOR (13)
(DE THAM)

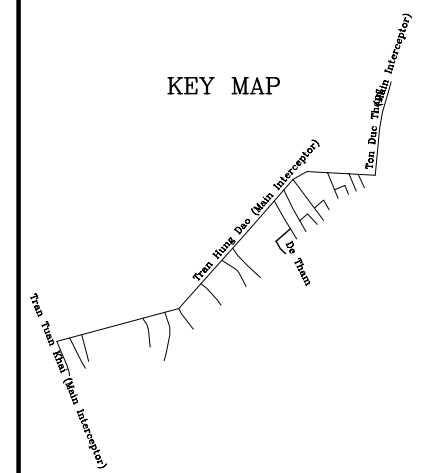
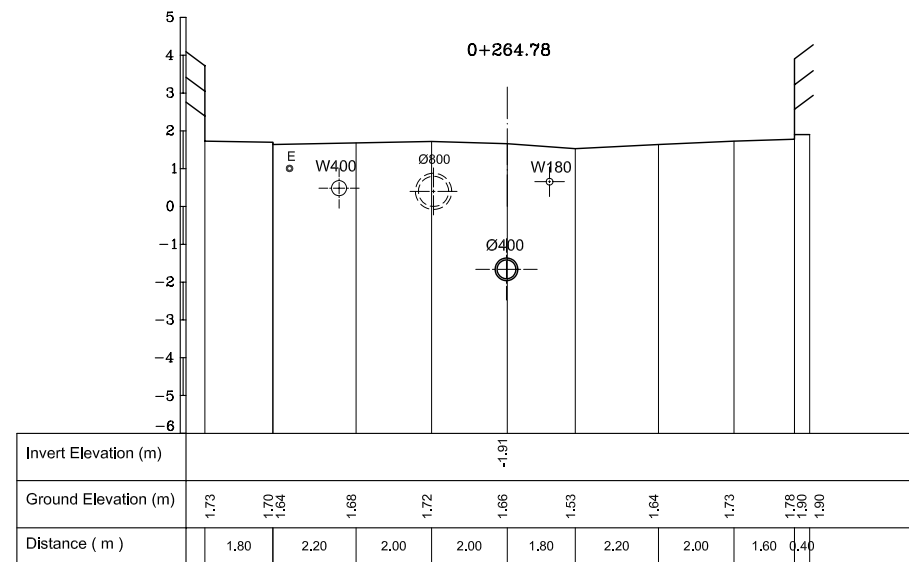
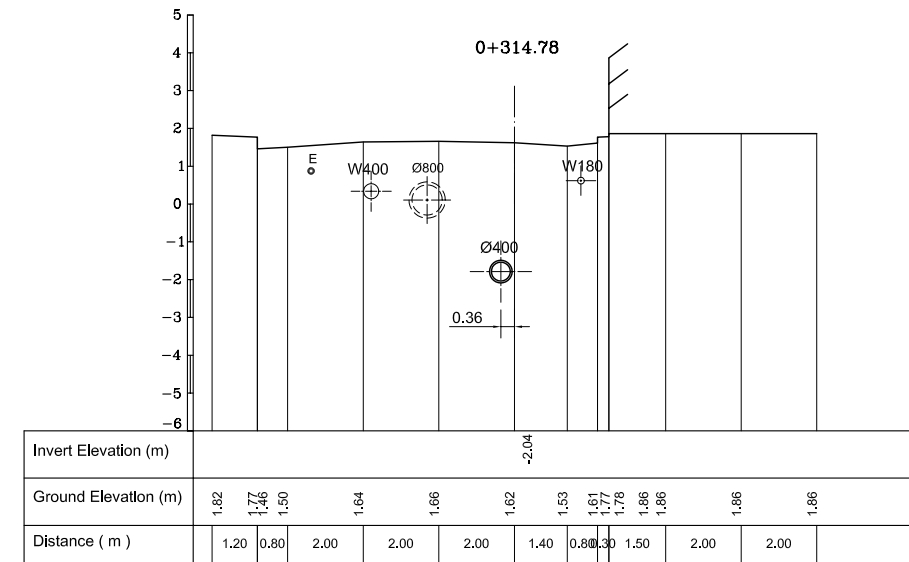
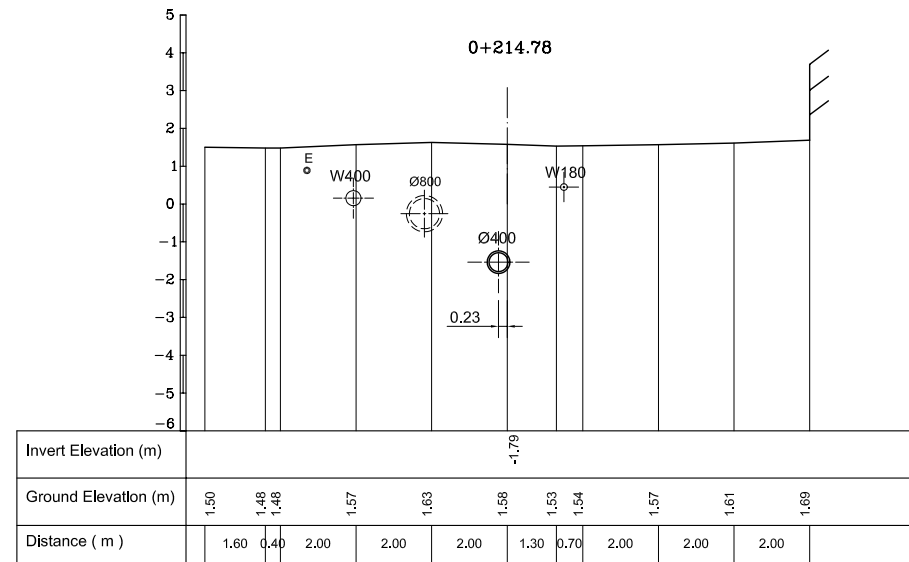
SCALE : 1 : 100

JICA JAPAN INTERNATIONAL COOPERATION AGENCY (JICA)

PACIFIC CONSULTANTS INTERNATIONAL

DESIGNED SATO NOBUYUKI	CHECKED KONDO MASAMI
---------------------------	-------------------------

DATE : JUNE 2001 DWG. No. PC - ISC - 270



LEGEND

	(Diameter) Secondary Interceptor Sewer
	Existing Drainage Pipe
	(Diameter) Existing Water Supply Pipe
	Existing Telephone Cable
	Existing Electric Cable

NO.	DATE	DESCRIPTIONS	BY	APRO.
-----	------	--------------	----	-------

REVISIONS

PROJECT MANAGEMENT UNIT FOR
HO CHI MINH CITY
WATER ENVIRONMENT IMPROVEMENT

THE DETAILED DESIGN ON HO CHI MINH CITY
WATER ENVIRONMENT IMPROVEMENT PROJECT
IN THE SOCIALIST REPUBLIC OF VIET NAM

PACKAGE C
INTERCEPTOR SEWER CONSTRUCTION
CROSS SECTION OF
SECONDARY INTERCEPTOR (14)
(DE THAM)

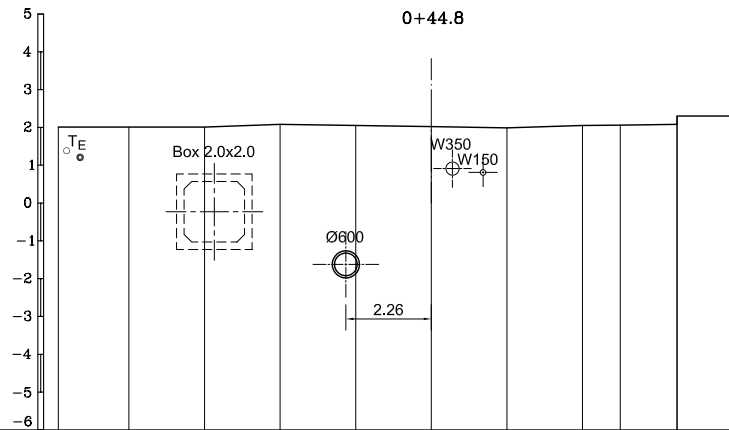
SCALE : 1 : 100

JAPAN INTERNATIONAL COOPERATION AGENCY (JICA)

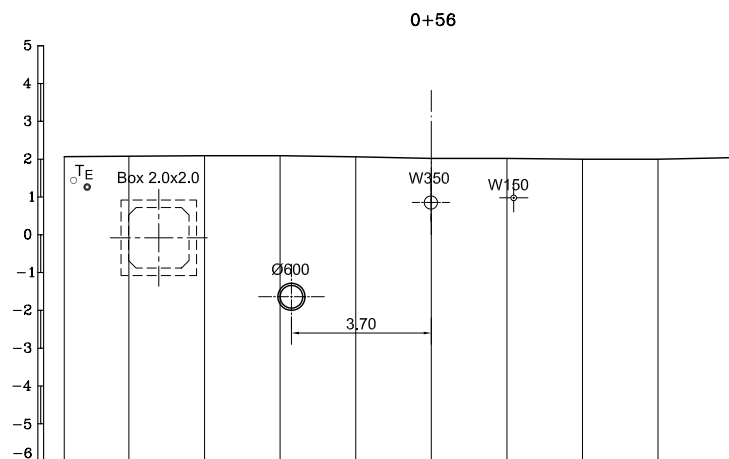
PACIFIC CONSULTANTS INTERNATIONAL

DESIGNED SATO NOBUYUKI	CHECKED KONDO MASAMI
---------------------------	-------------------------

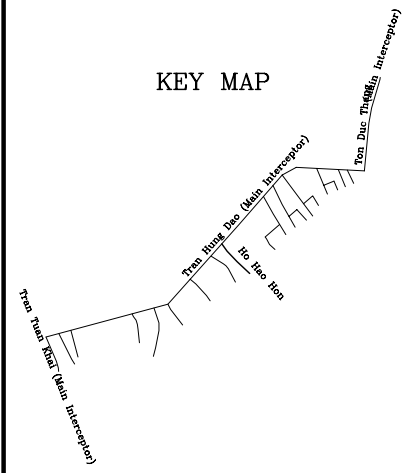
DATE : JUNE 2001 DWG. No. PC - ISC - 271



Invert Elevation (m)	-1.92										
Ground Elevation (m)	2.01	2.01	2.08	2.05	2.02	1.99	2.05	2.06	2.08	2.30	2.30
Distance (m)	1.90	2.00	2.00	2.00	2.00	2.00	2.00	1.00	1.50	1.50	



Invert Elevation (m)	-1.94										
Ground Elevation (m)	2.08	2.09	2.09	2.06	2.02	2.02	2.00	2.00	2.00	2.04	
Distance (m)	1.90	2.00	2.00	2.00	2.00	2.00	2.00	2.00	2.00	2.00	



LEGEND

	(Diameter) Secondary Interceptor Sewer
	Arch 0.8x1.4 Existing Drainage Pipe
	Ø800 Existing Drainage Pipe
	W300 (Diameter) Existing Water Supply Pipe
	T Existing Telephone Cable
	E Existing Electric Cable

NO.	DATE	DESCRIPTIONS	BY	APRO.
-----	------	--------------	----	-------

REVISIONS

PROJECT MANAGEMENT UNIT FOR
HO CHI MINH CITY
WATER ENVIRONMENT IMPROVEMENT

THE DETAILED DESIGN ON HO CHI MINH CITY
WATER ENVIRONMENT IMPROVEMENT PROJECT
IN THE SOCIALIST REPUBLIC OF VIET NAM

PACKAGE C
INTERCEPTOR SEWER CONSTRUCTION
**CROSS SECTION OF
SECONDARY INTERCEPTOR (15)
(HO HAO HON)**

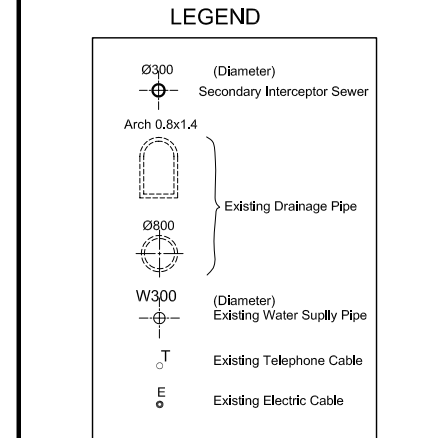
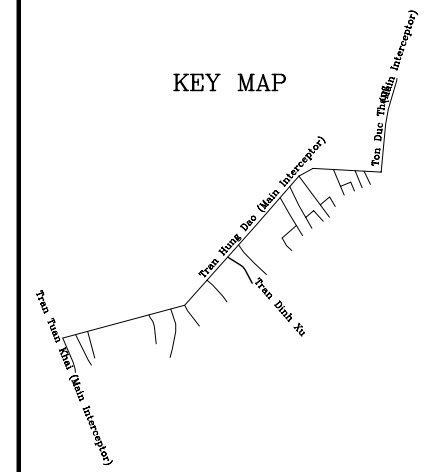
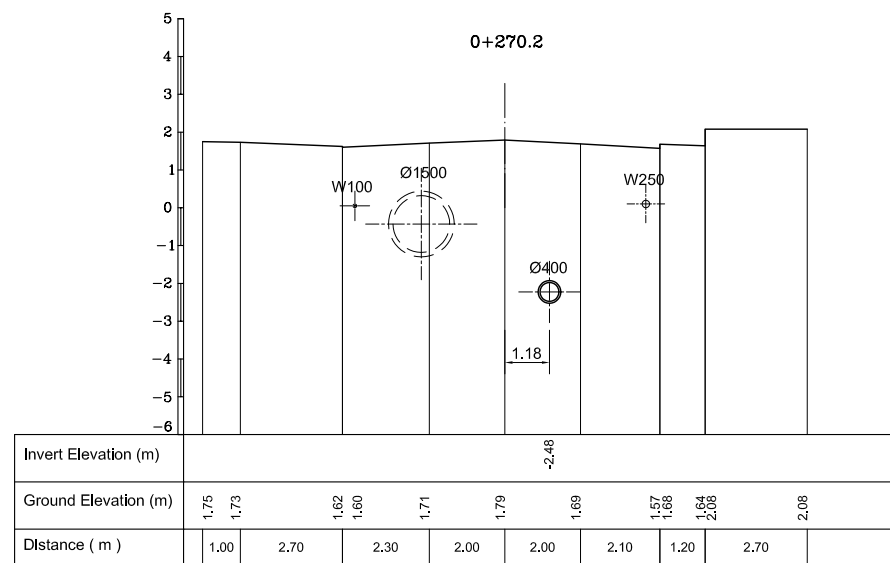
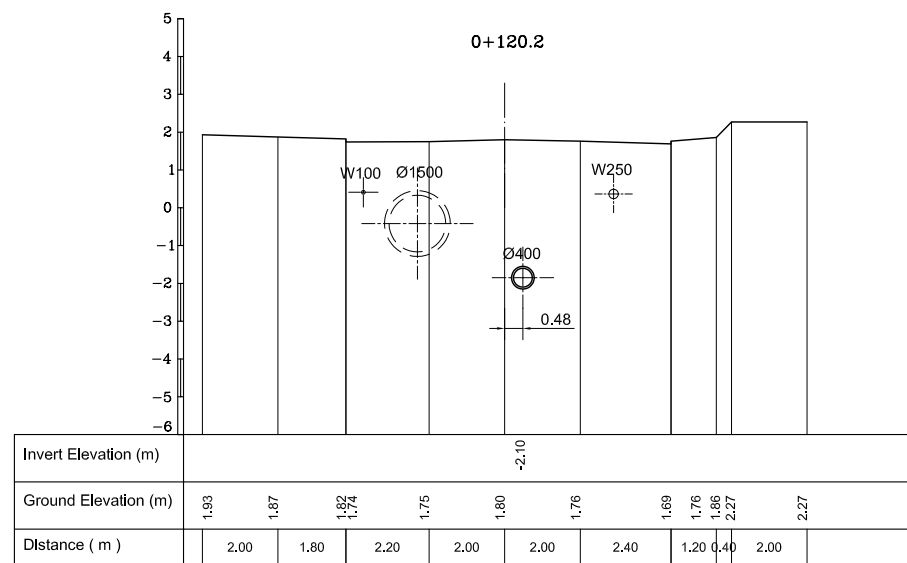
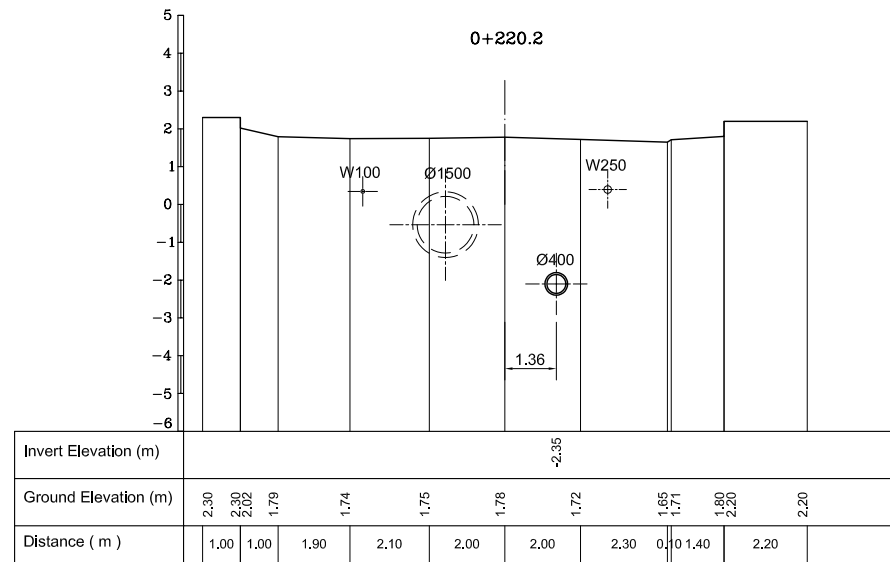
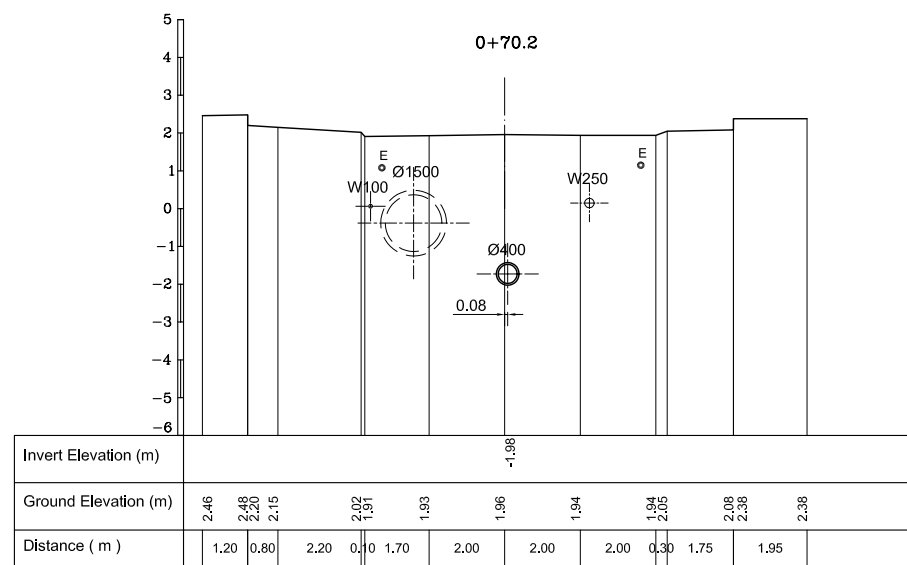
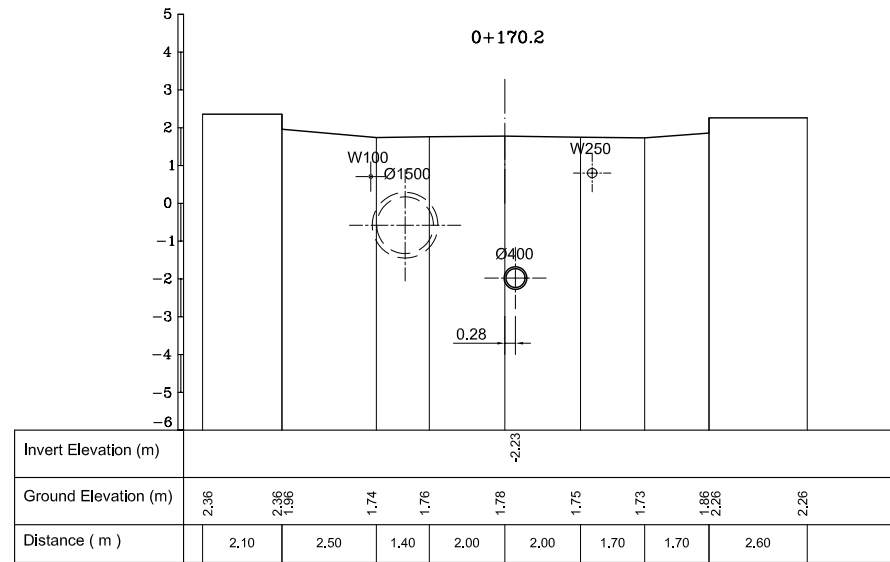
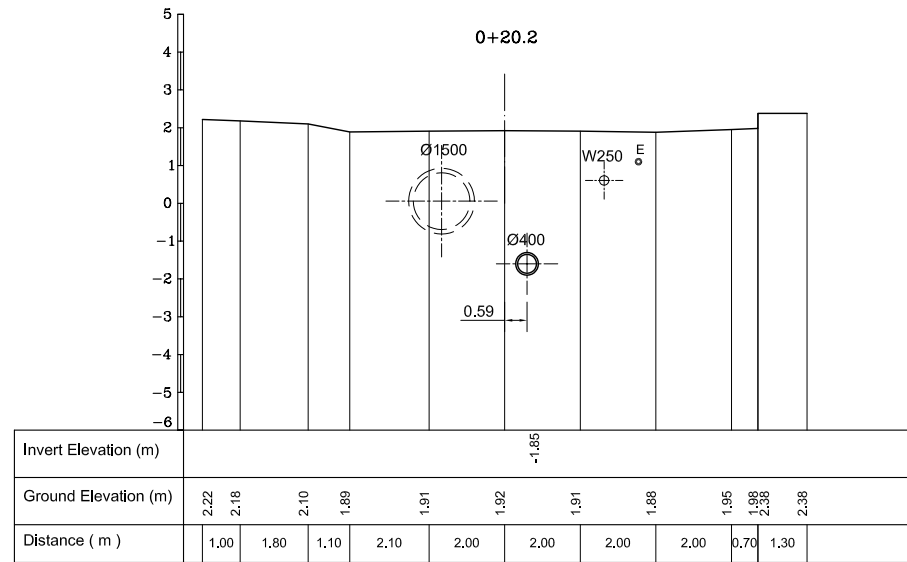
SCALE : 1 : 100

JAPAN INTERNATIONAL COOPERATION AGENCY (JICA)

PACIFIC CONSULTANTS INTERNATIONAL

DESIGNED SATO NOBUYUKI	CHECKED KONDO MASAMI
---------------------------	-------------------------

DATE : JUNE 2001 DWG. No. PC - ISC -272



NO.	DATE	DESCRIPTIONS	BY	APRO.

REVISIONS

PROJECT MANAGEMENT UNIT FOR
HO CHI MINH CITY
WATER ENVIRONMENT IMPROVEMENT

THE DETAILED DESIGN ON HO CHI MINH CITY
WATER ENVIRONMENT IMPROVEMENT PROJECT
IN THE SOCIALIST REPUBLIC OF VIET NAM

PACKAGE C
INTERCEPTOR SEWER CONSTRUCTION
CROSS SECTION OF
SECONDARY INTERCEPTOR (16)
(TRAN DINH XU)

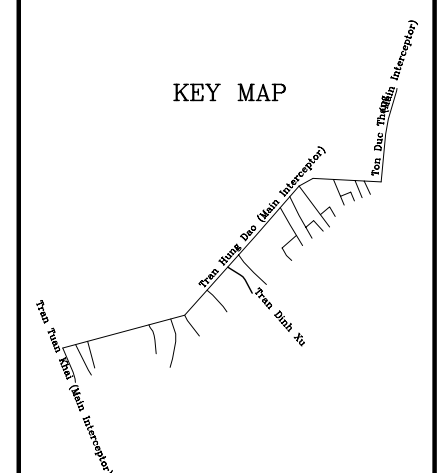
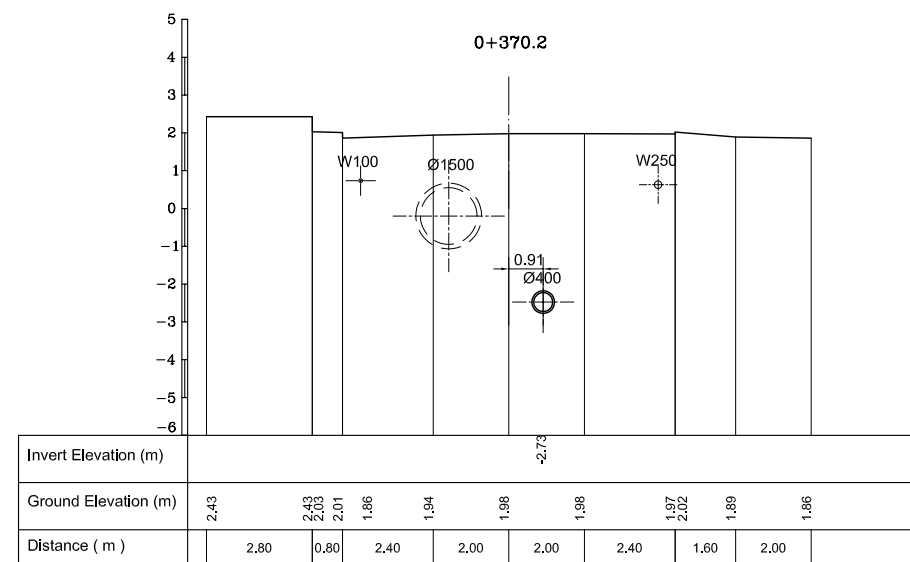
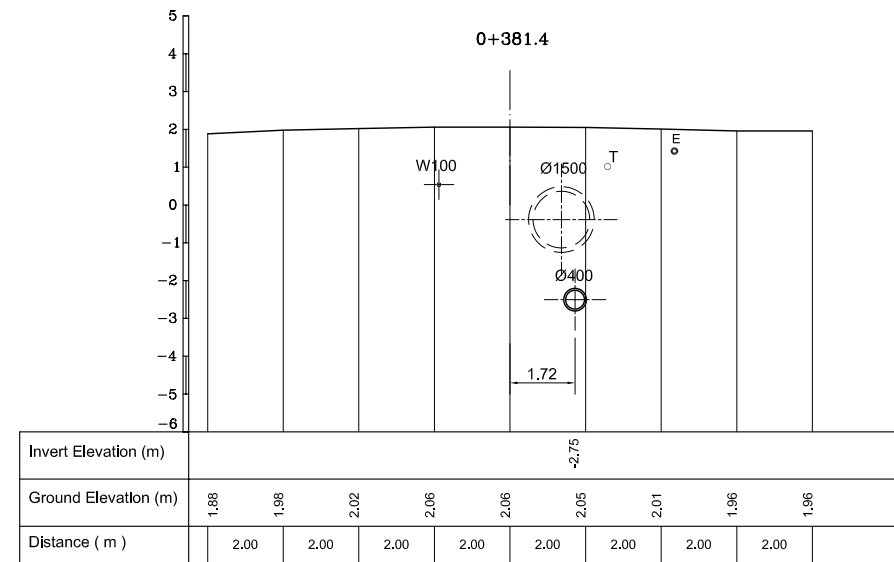
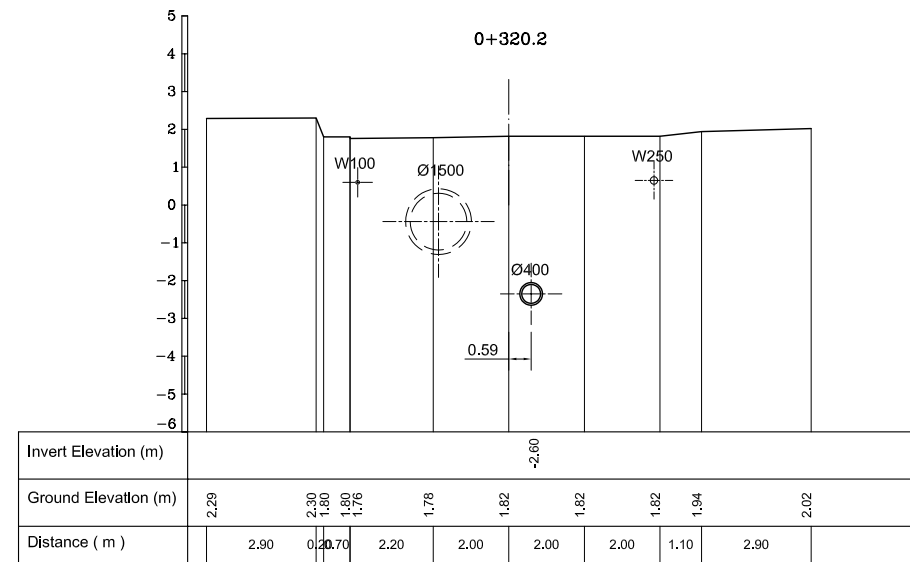
SCALE : 1 : 100

JICA JAPAN INTERNATIONAL COOPERATION AGENCY (JICA)

PACIFIC CONSULTANTS INTERNATIONAL

DESIGNED SATO NOBUYUKI	CHECKED KONDO MASAMI
---------------------------	-------------------------

DATE : JUNE 2001 DWG. No. PC - ISC - 273



LEGEND

- ⊙ (Diameter) Secondary Interceptor Sewer
- Arch 0.8x1.4 Existing Drainage Pipe
- ⊙ (Diameter) Existing Water Supply Pipe
- ⊙ Existing Telephone Cable
- ⊙ Existing Electric Cable

NO.	DATE	DESCRIPTIONS	BY	APRO.

REVISIONS

PROJECT MANAGEMENT UNIT FOR
HO CHI MINH CITY
WATER ENVIRONMENT IMPROVEMENT

THE DETAILED DESIGN ON HO CHI MINH CITY
WATER ENVIRONMENT IMPROVEMENT PROJECT
IN THE SOCIALIST REPUBLIC OF VIET NAM

PACKAGE C
INTERCEPTOR SEWER CONSTRUCTION
CROSS SECTION OF
SECONDARY INTERCEPTOR (17)
(TRAN DINH XU)

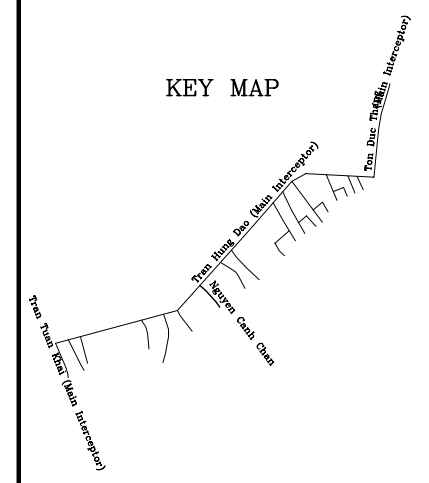
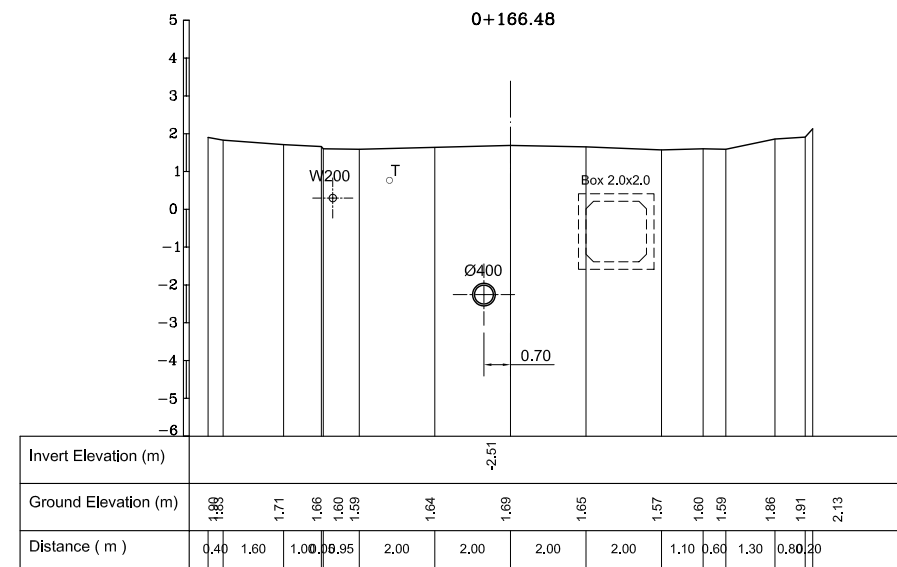
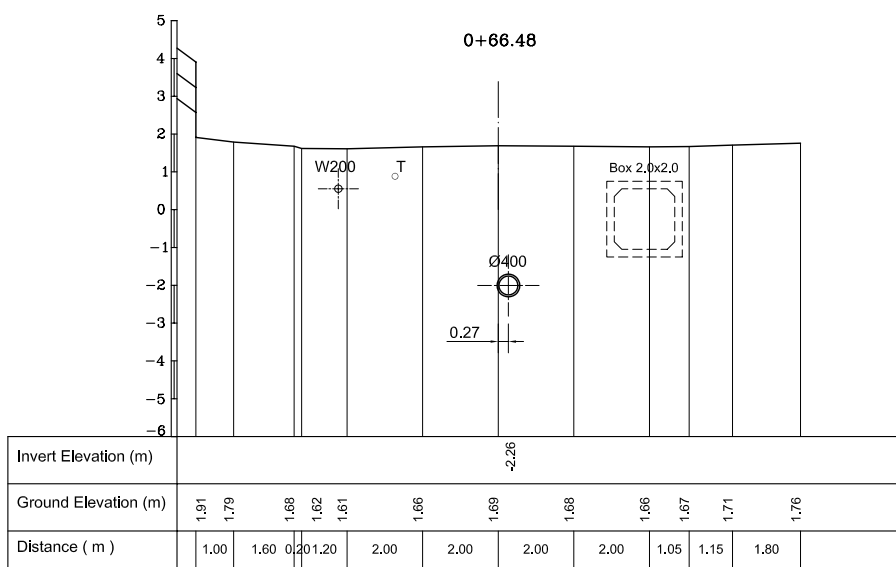
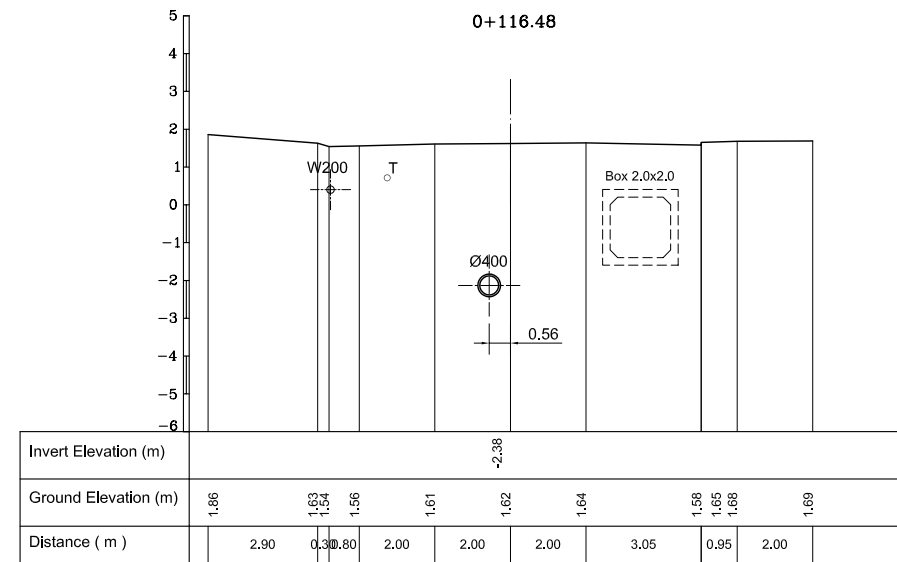
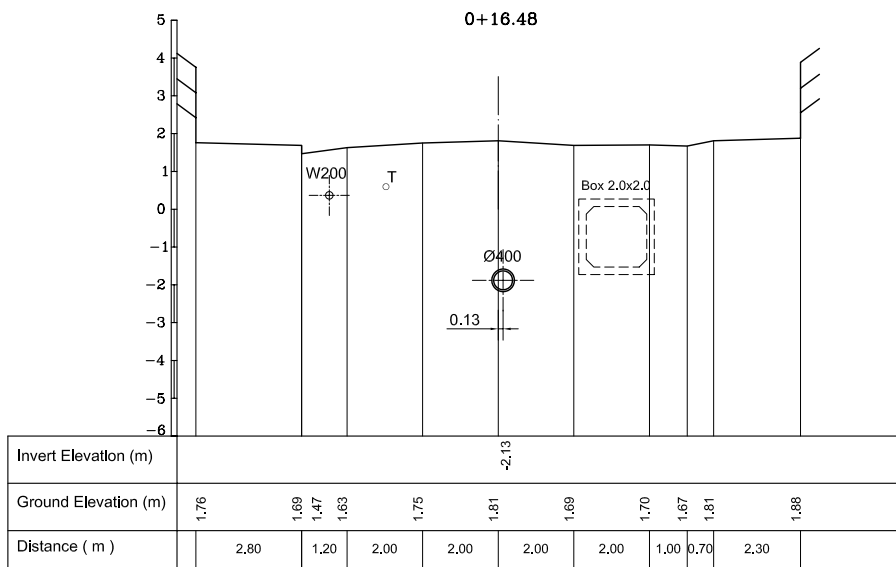
SCALE : 1 : 100

JICA JAPAN INTERNATIONAL COOPERATION AGENCY (JICA)

PACIFIC CONSULTANTS INTERNATIONAL

DESIGNED SATO NOBUYUKI	CHECKED KONDO MASAMI
---------------------------	-------------------------

DATE : JUNE 2001 DWG. No. PC - ISC - 274



LEGEND

- Ø300 (Diameter) Secondary Interceptor Sewer
- Arch 0.8x1.4 Existing Drainage Pipe
- Ø800 Existing Drainage Pipe
- W300 (Diameter) Existing Water Supply Pipe
- T Existing Telephone Cable
- E Existing Electric Cable

NO.	DATE	DESCRIPTIONS	BY	APRO.

REVISIONS

PROJECT MANAGEMENT UNIT FOR
HO CHI MINH CITY
WATER ENVIRONMENT IMPROVEMENT

THE DETAILED DESIGN ON HO CHI MINH CITY
WATER ENVIRONMENT IMPROVEMENT PROJECT
IN THE SOCIALIST REPUBLIC OF VIET NAM

PACKAGE C
INTERCEPTOR SEWER CONSTRUCTION
CROSS SECTION OF
SECONDARY INTERCEPTOR (18)
(NGUYEN CHANH CHAN)

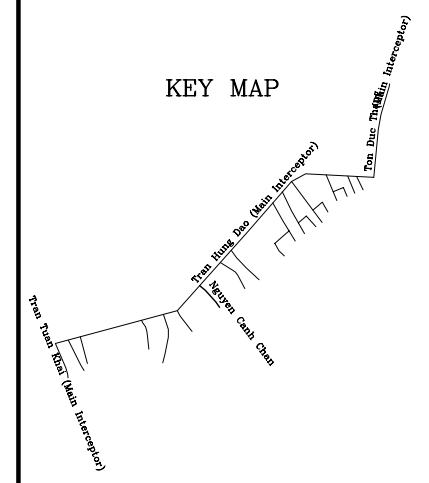
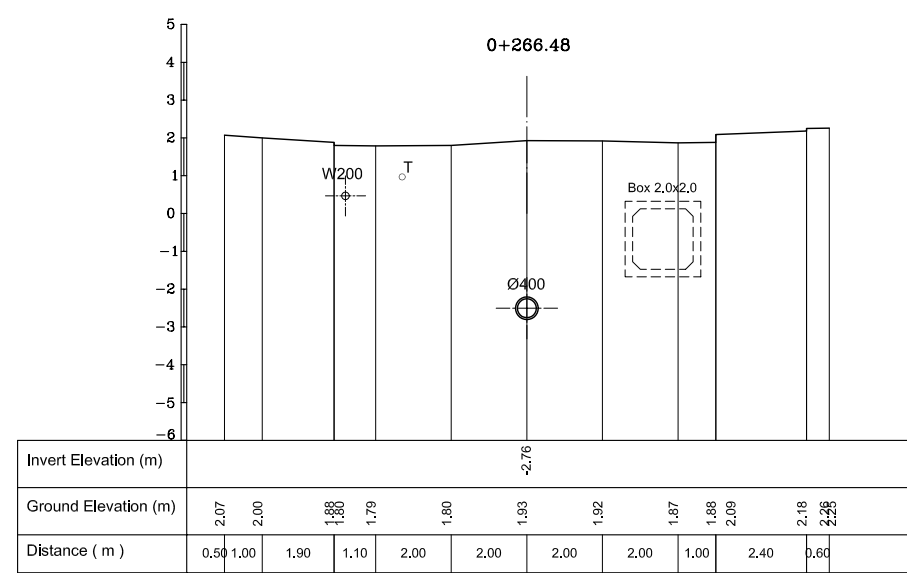
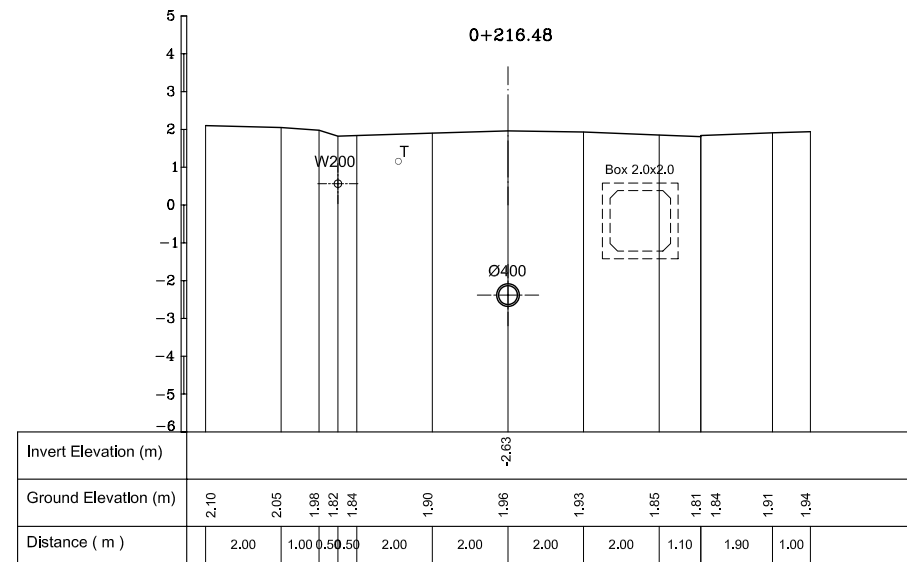
SCALE : 1 : 100

JICA JAPAN INTERNATIONAL COOPERATION AGENCY (JICA)

PACIFIC CONSULTANTS INTERNATIONAL

DESIGNED SATO NOBUYUKI	CHECKED KONDO MASAMI
---------------------------	-------------------------

DATE : JUNE 2001 DWG. No. PC - ISC - 275



LEGEND

	Ø300 (Diameter) Secondary Interceptor Sewer
	Arch 0.8x1.4 Existing Drainage Pipe
	Ø800 Existing Drainage Pipe
	W300 (Diameter) Existing Water Supply Pipe
	Existing Telephone Cable
	Existing Electric Cable

NO.	DATE	DESCRIPTIONS	BY	APRO.
-----	------	--------------	----	-------

REVISIONS

PROJECT MANAGEMENT UNIT FOR
HO CHI MINH CITY
WATER ENVIRONMENT IMPROVEMENT

THE DETAILED DESIGN ON HO CHI MINH CITY
WATER ENVIRONMENT IMPROVEMENT PROJECT
IN THE SOCIALIST REPUBLIC OF VIET NAM

PACKAGE C
INTERCEPTOR SEWER CONSTRUCTION
CROSS SECTION OF
SECONDARY INTERCEPTOR (19)
(NGUYEN CANH CHAN)

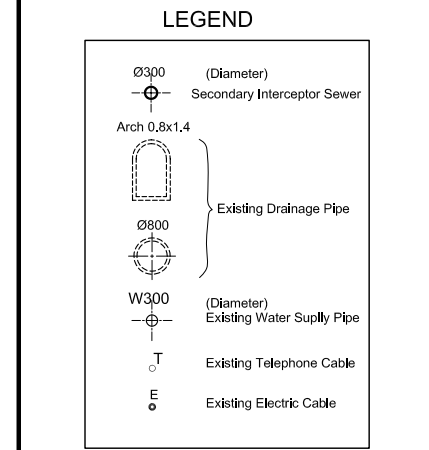
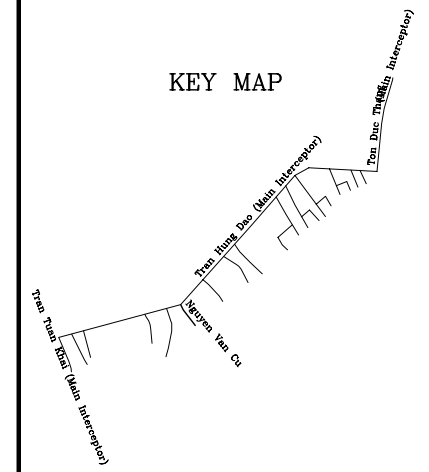
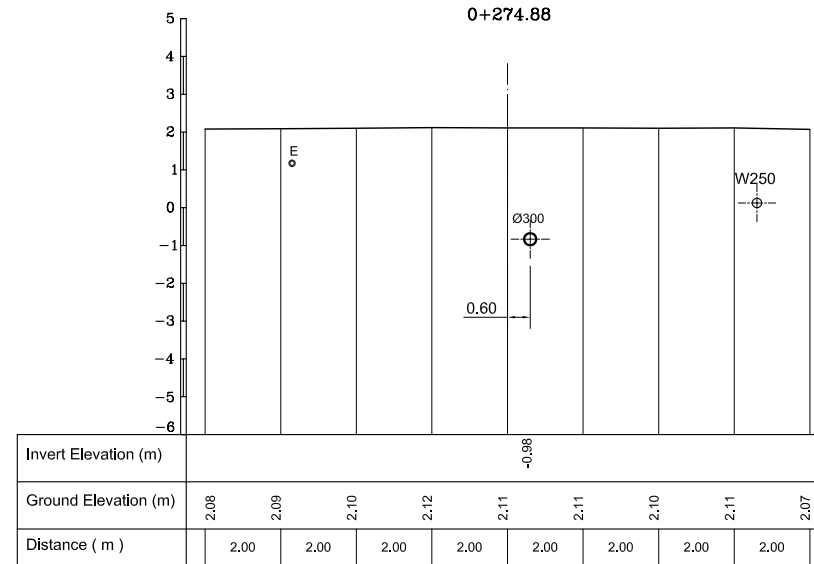
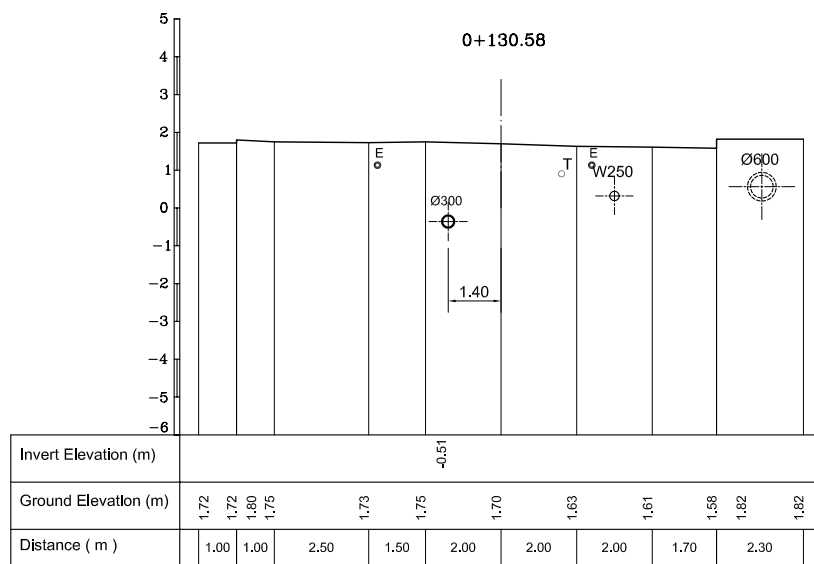
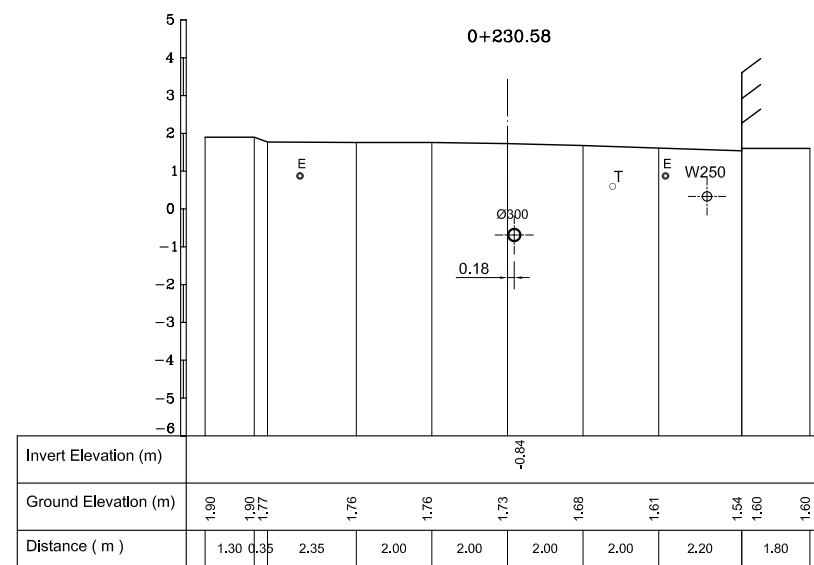
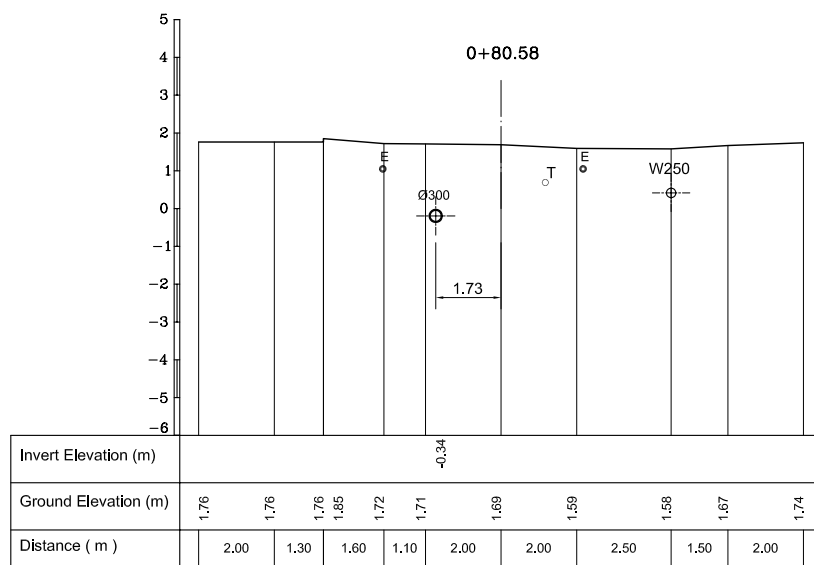
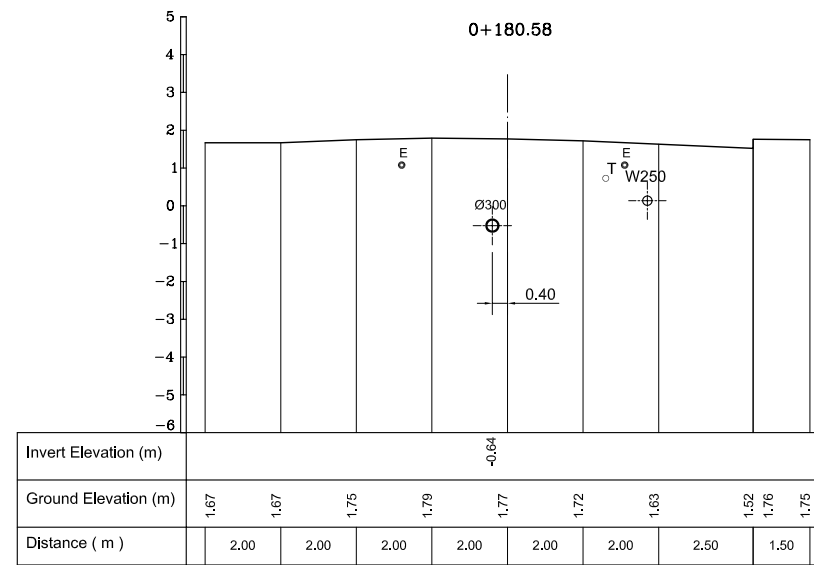
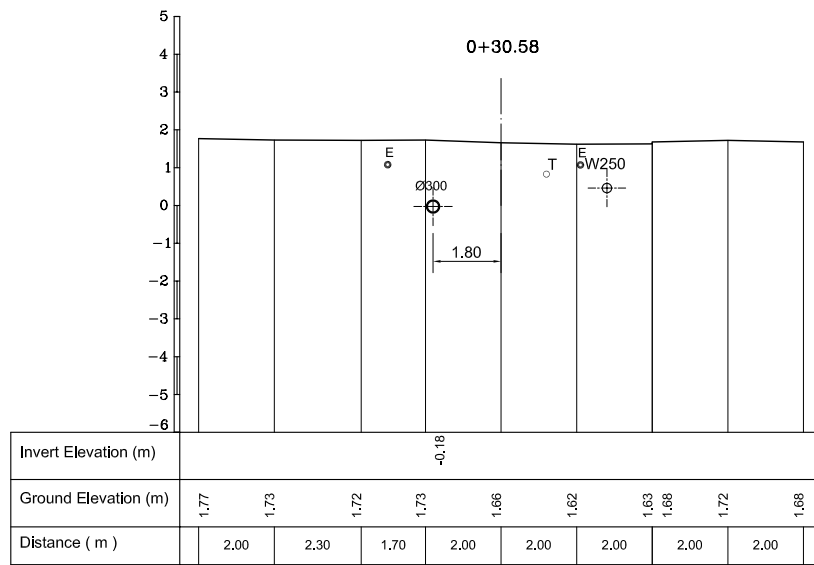
SCALE : 1 : 100

JAPAN INTERNATIONAL COOPERATION AGENCY (JICA)

PACIFIC CONSULTANTS INTERNATIONAL

DESIGNED SATO NOBUYUKI	CHECKED KONDO MASAMI
---------------------------	-------------------------

DATE : JUNE 2001 DWG. No. PC - ISC - 276



NO.	DATE	DESCRIPTIONS	BY	APRO.

REVISIONS

PROJECT MANAGEMENT UNIT FOR
HO CHI MINH CITY
WATER ENVIRONMENT IMPROVEMENT

THE DETAILED DESIGN ON HO CHI MINH CITY
WATER ENVIRONMENT IMPROVEMENT PROJECT
IN THE SOCIALIST REPUBLIC OF VIET NAM

PACKAGE C
INTERCEPTOR SEWER CONSTRUCTION
CROSS SECTION OF
SECONDARY INTERCEPTOR (20)
(NGUYEN VAN CU)

SCALE : 1 : 100

JICA JAPAN INTERNATIONAL COOPERATION
AGENCY (JICA)

PACIFIC CONSULTANTS INTERNATIONAL

DESIGNED SATO NOBUYUKI CHECKED KONDO MASAMI

DATE : JUNE 2001 DWG. No. PC - ISC - 277