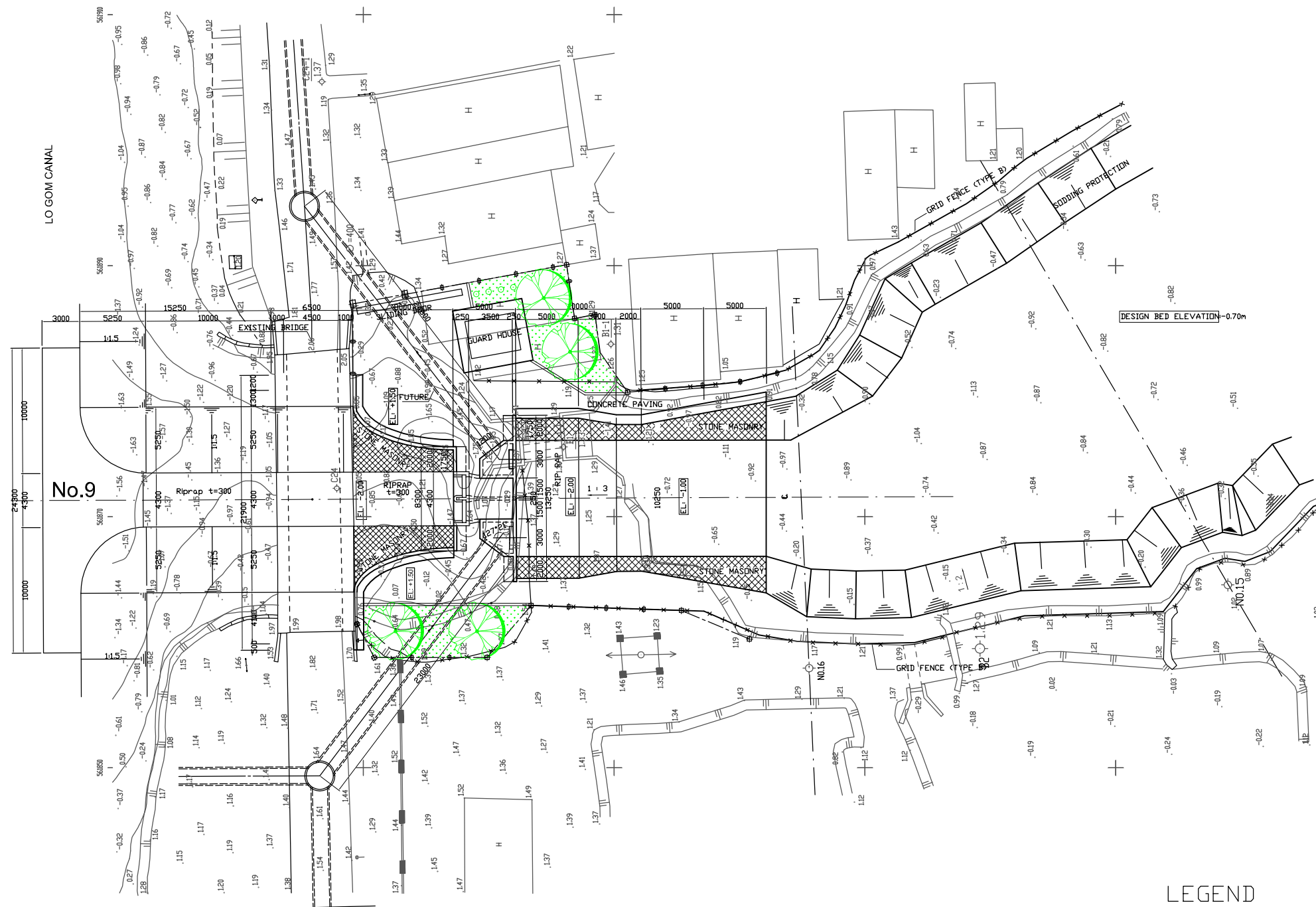


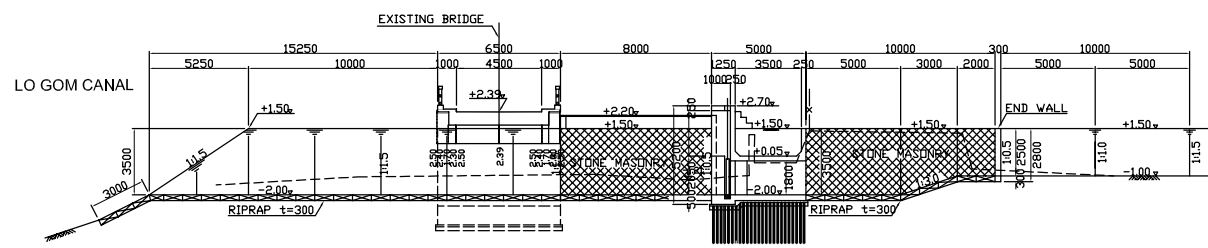
PLAN



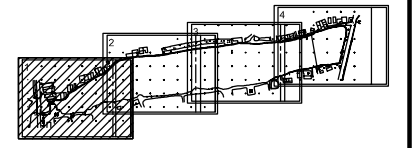
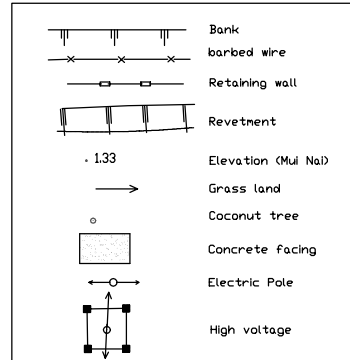
No.9

DESIGN BED ELEVATION -0.70m

PROFILE OF CONTROL GATE



LEGEND



NO.	DATE	DESCRIPTIONS	BY

REVISIONS

PROJECT MANAGEMENT UNIT FOR
HO CHI MINH CITY
WATER ENVIRONMENT IMPROVEMENT

THE DETAILED DESIGN STUDY ON HO CHI MINH CITY
WATER ENVIRONMENT IMPROVEMENT PROJECT
IN THE SOCIALIST REPUBLIC OF VIET NAM

PACKAGE B
PUMP DRAINAGE IMPROVEMENT
GENERAL LAYOUT OF BEN ME COC (1)
CONTROL GATE

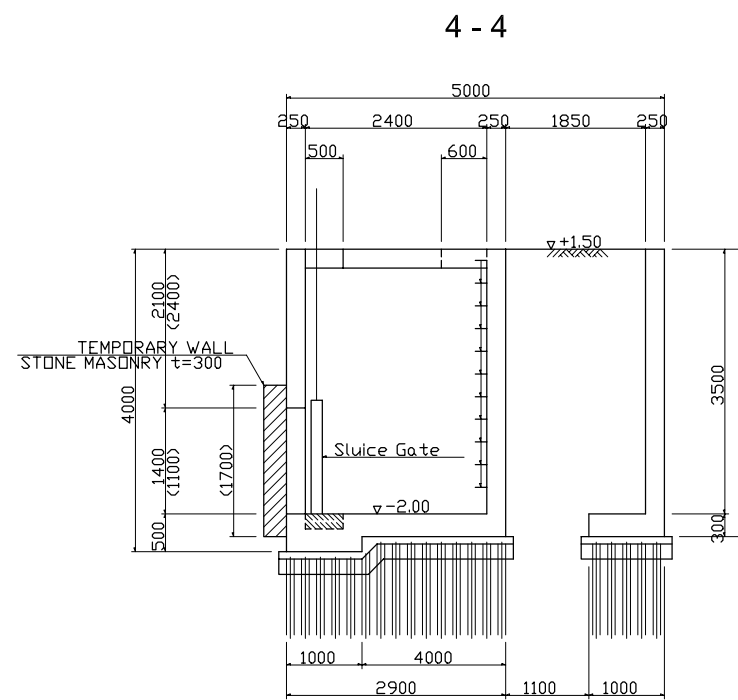
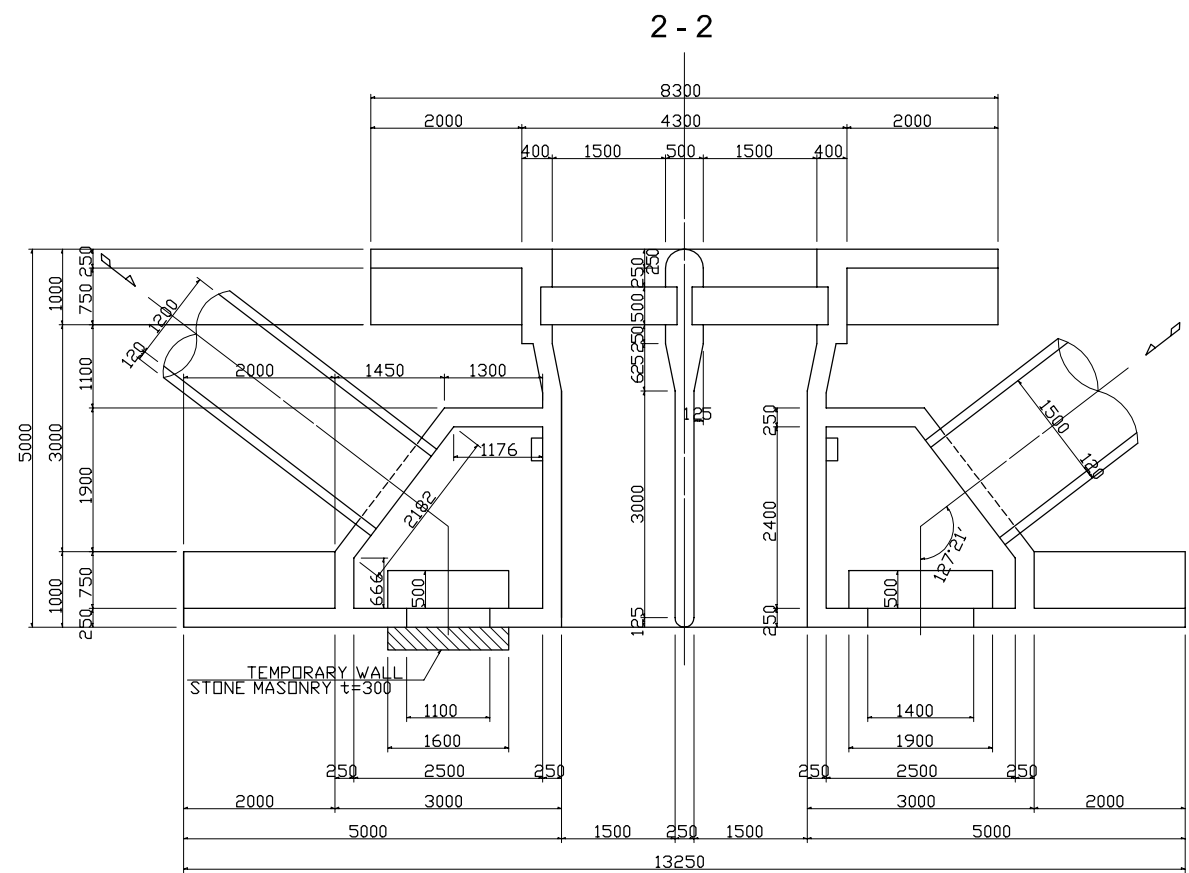
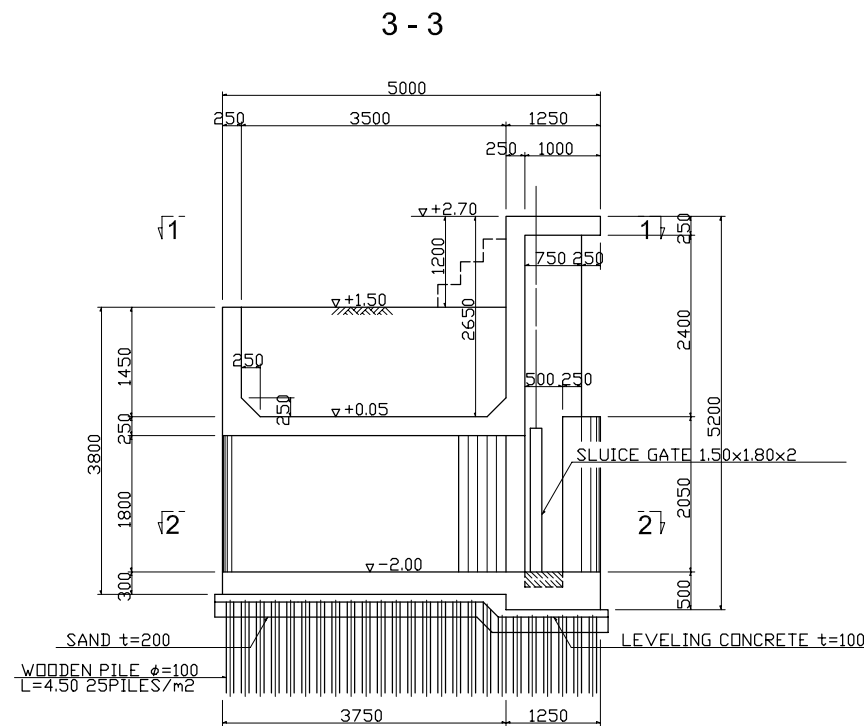
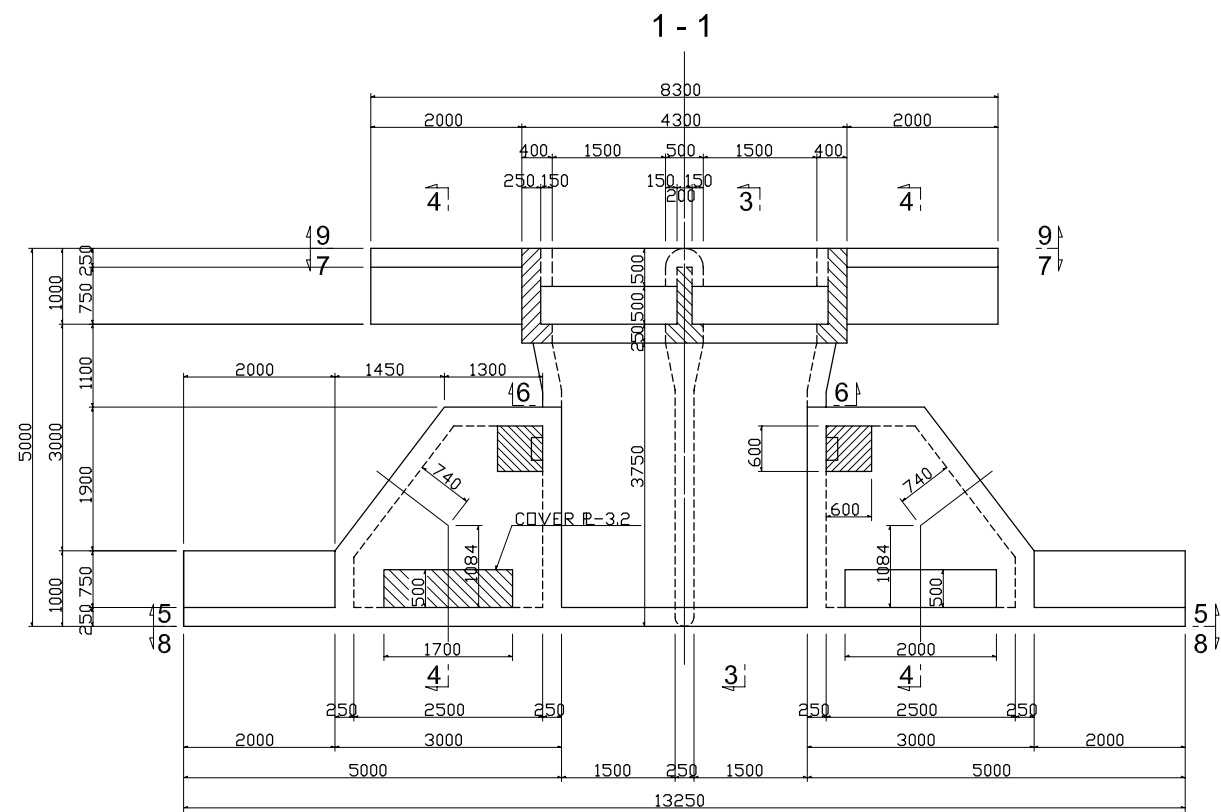
SCALE = 1 : 200



JICA JAPAN INTERNATIONAL COOPERATION
AGENCY (JICA)

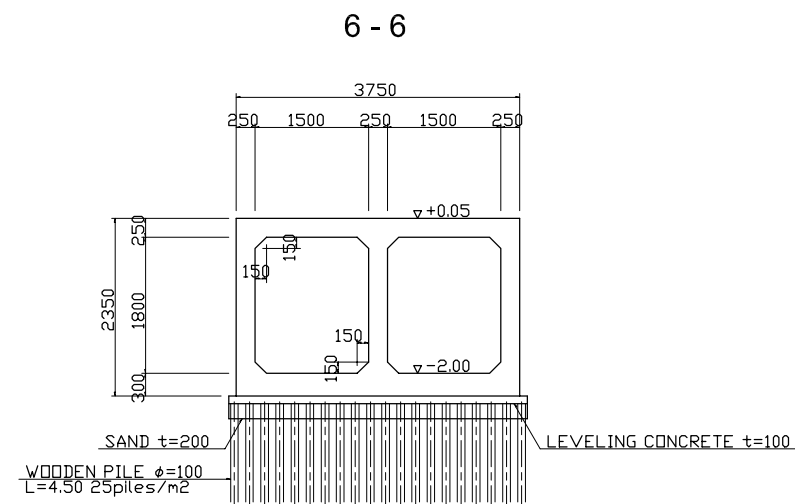
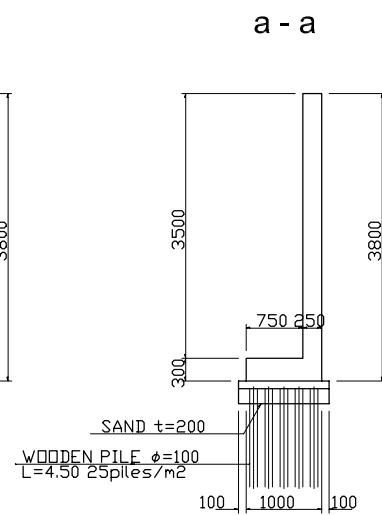
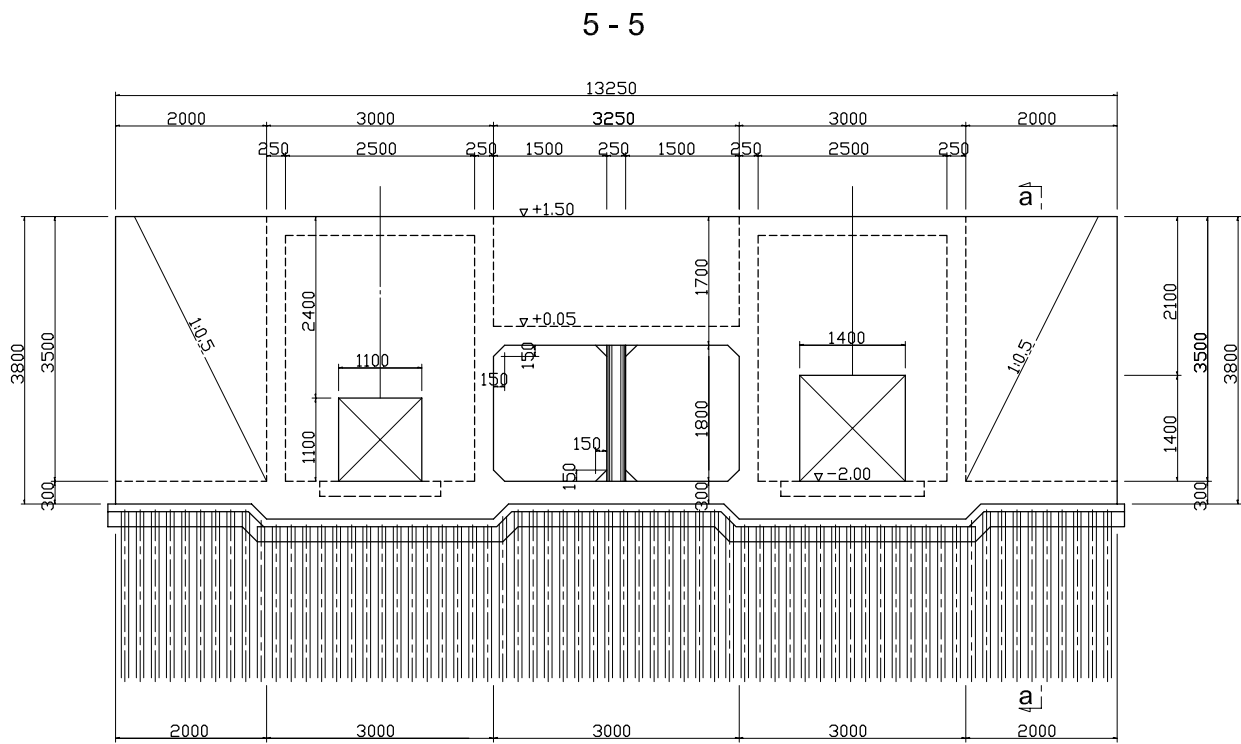
PACIFIC CONSULTANTS INTERNATIONAL

DESIGNED: TOKUMASU TOSHIAKI
CHECKED: KONDO MASAMI

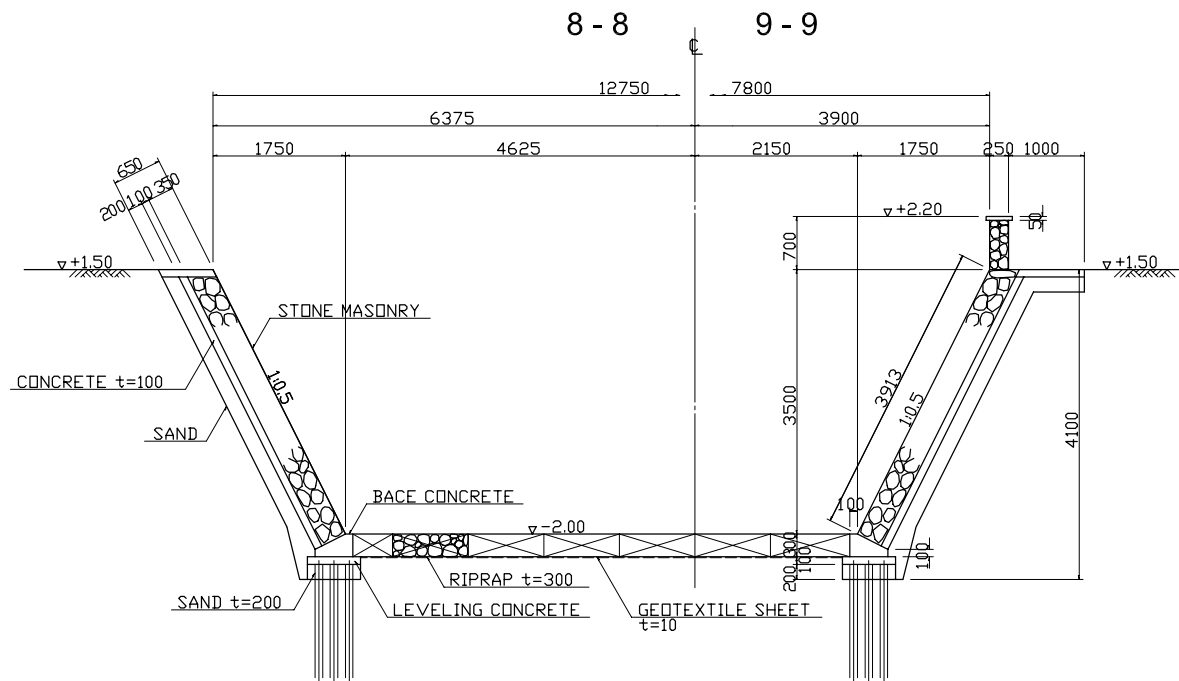
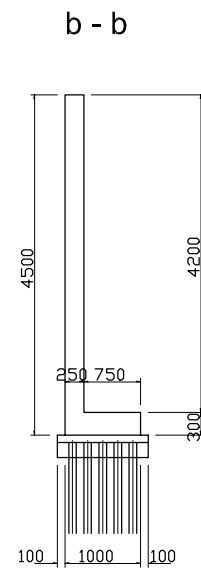
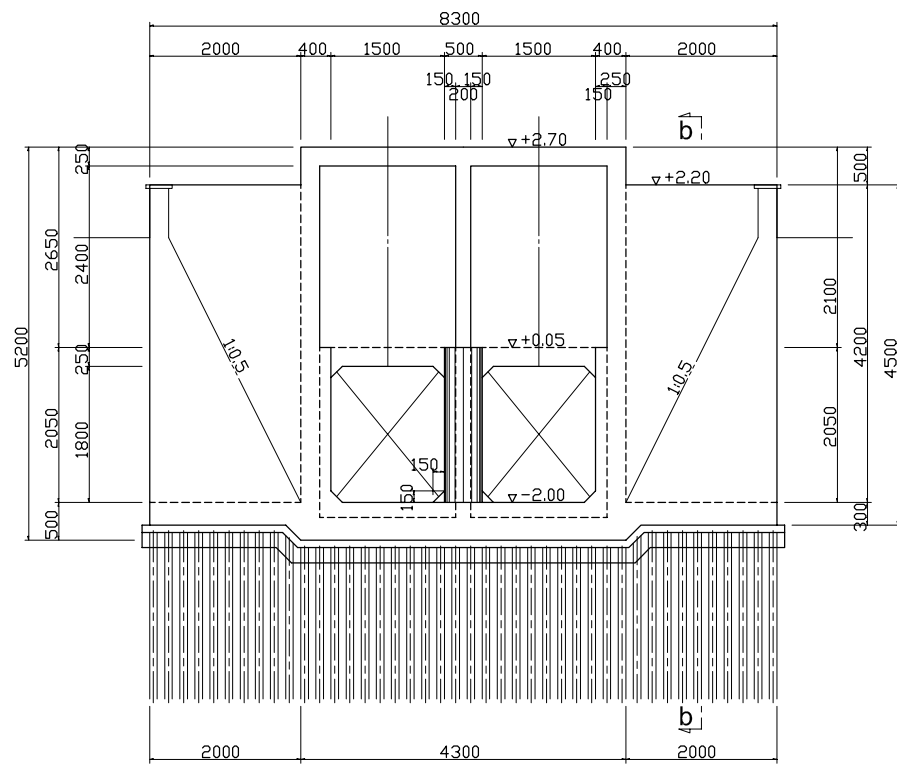
DATE : JUNE 2001 DWG. No. PB - PDI - BMC1 - 259



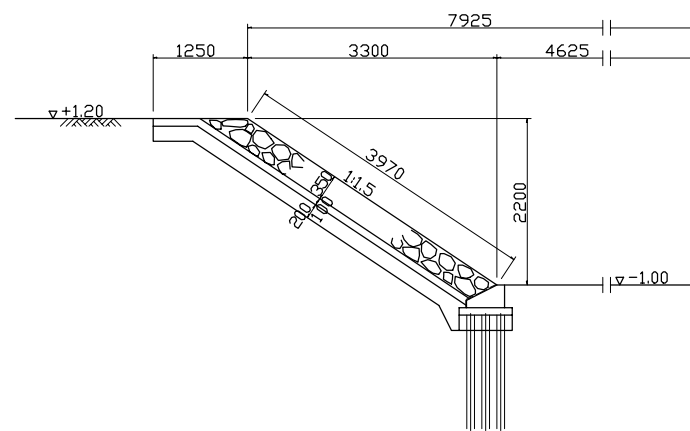
NO.	DATE	DESCRIPTIONS	BY	APRO.
REVISIONS				
PROJECT MANAGEMENT UNIT FOR HO CHI MINH CITY WATER ENVIRONMENT IMPROVEMENT				
THE DETAILED DESIGN STUDY ON HO CHI MINH CITY WATER ENVIRONMENT IMPROVEMENT PROJECT IN THE SOCIALIST REPUBLIC OF VIET NAM				
PACKAGE B PUMP DRAINAGE IMPROVEMENT BEN ME COC (1) CONTROL GATE PLAN AND SECTION OF CONTROL GATE (1)				
SCALE = 1 : 50				
 JAPAN INTERNATIONAL COOPERATION AGENCY (JICA)				
 PACIFIC CONSULTANTS INTERNATIONAL				
DESIGNED TOKUMASU TOSHIAKI		CHECKED KONDO MASAMI		
DATE : JUNE 2001		DWG. No. PB - PDI - BMC1 - 261		



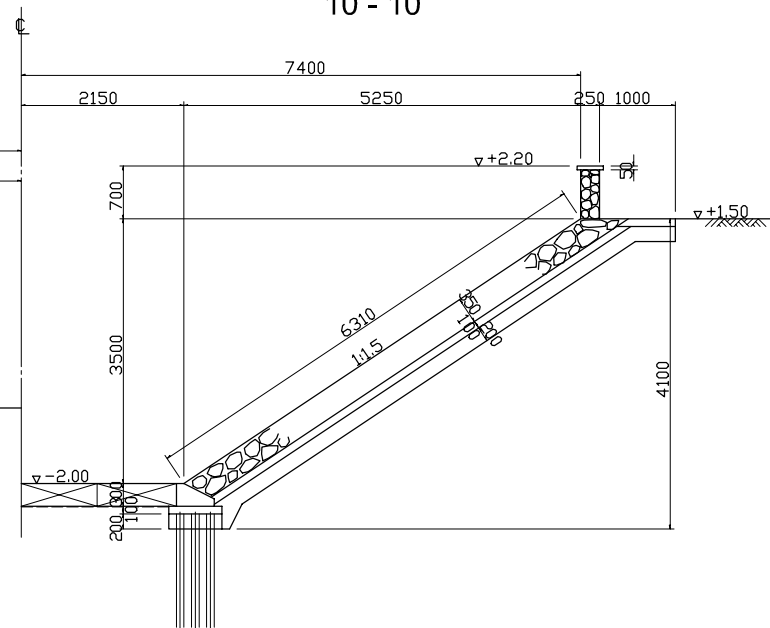
7-7





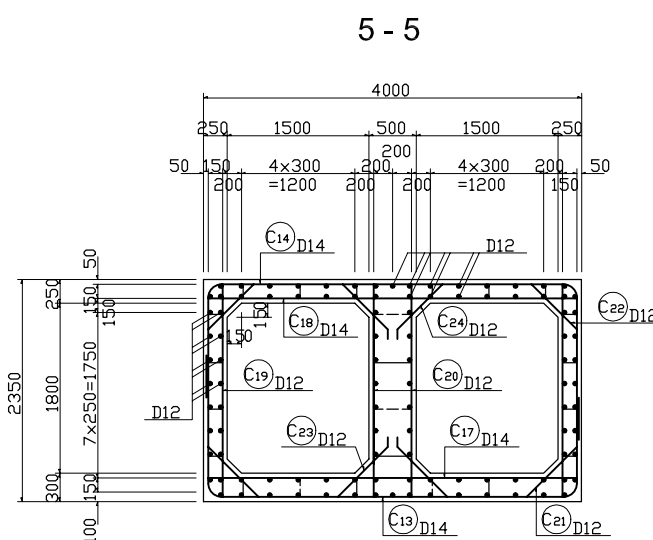
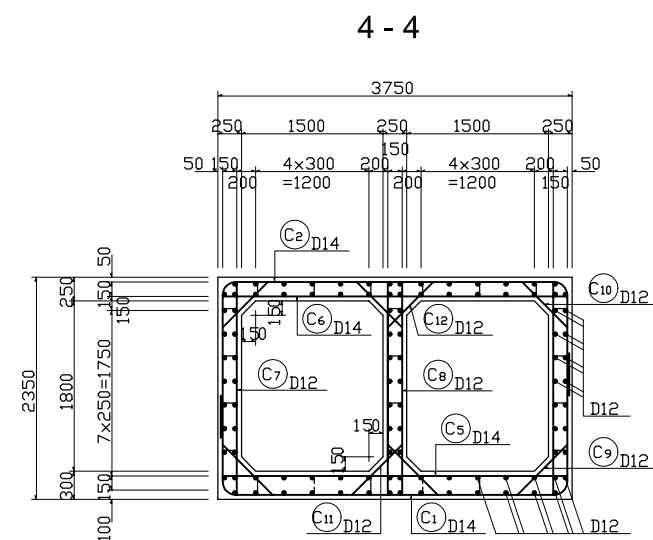
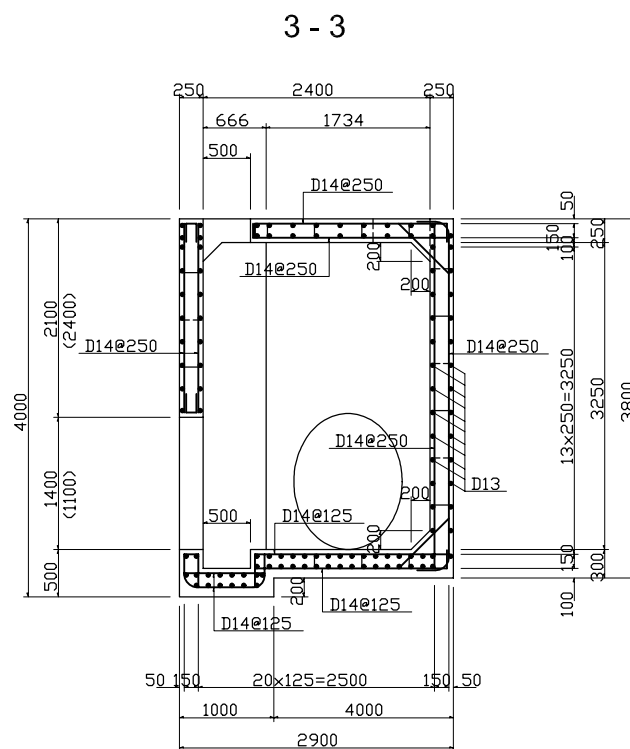
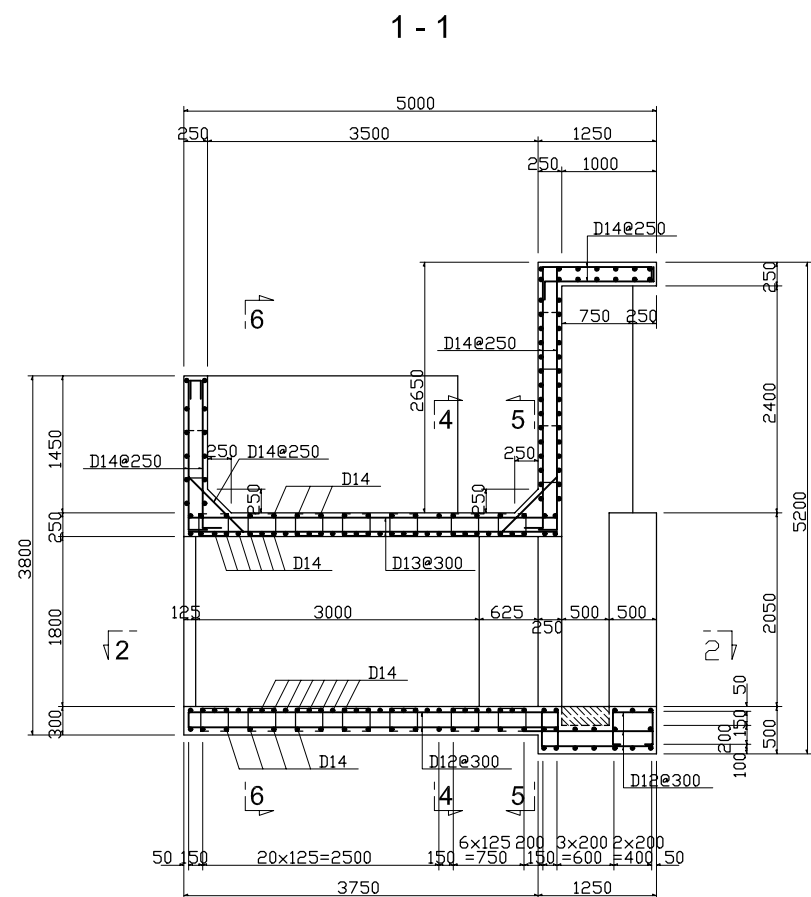
11-11



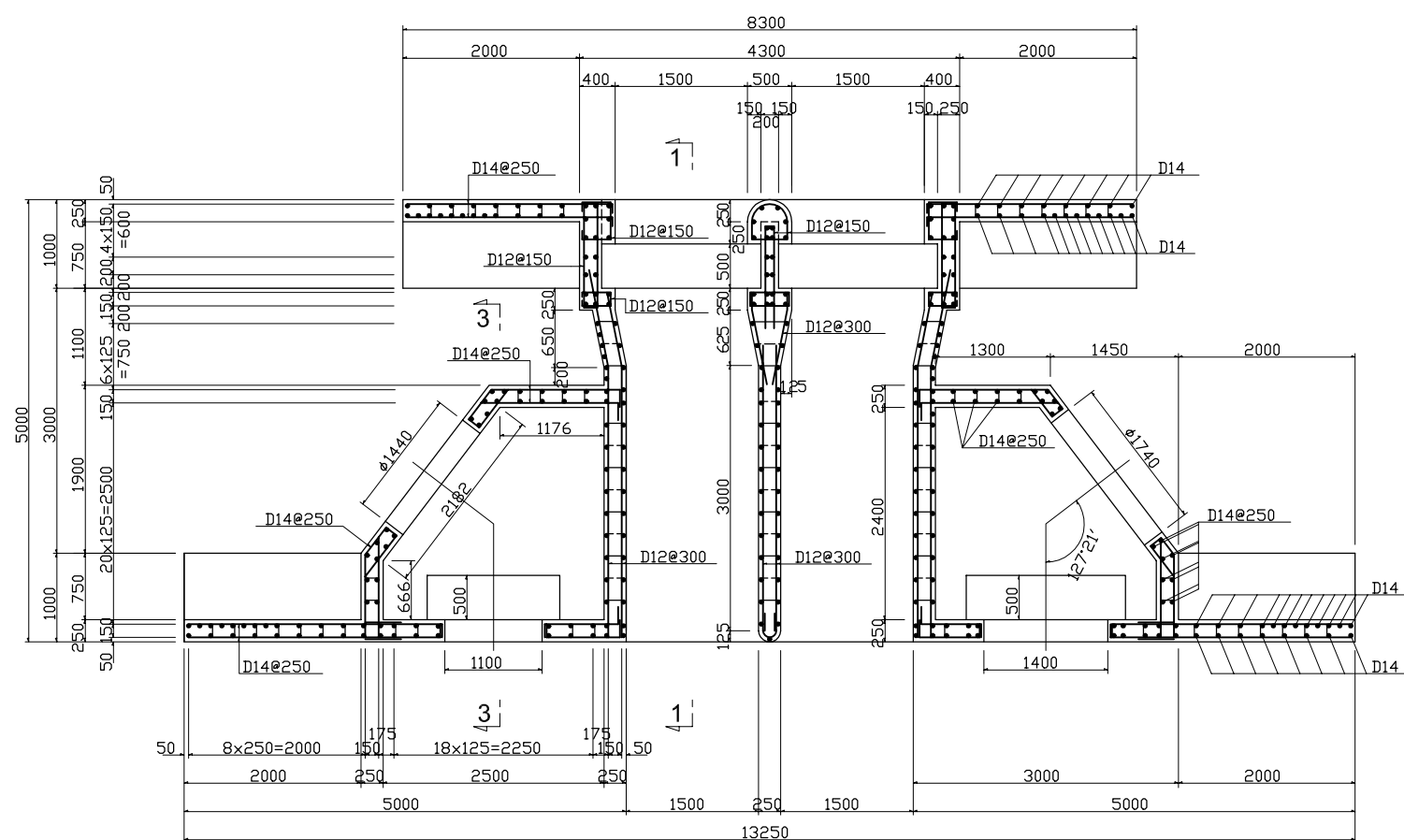
10-10



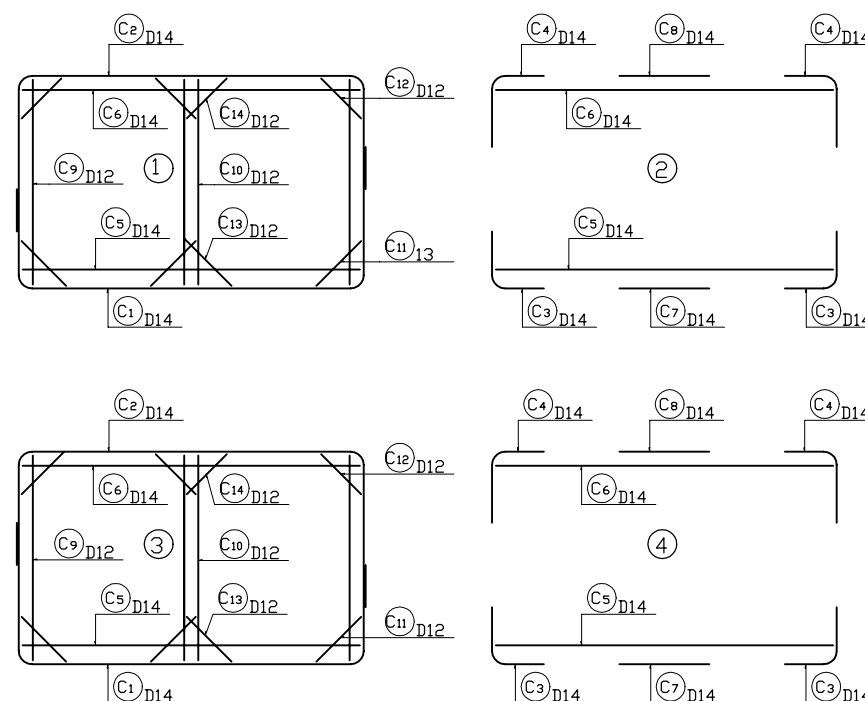
NO.	DATE	DESCRIPTIONS	BY	APRO.
REVISIONS				
PROJECT MANAGEMENT UNIT FOR HO CHI MINH CITY WATER ENVIRONMENT IMPROVEMENT				
THE DETAILED DESIGN STUDY ON HO CHI MINH CITY WATER ENVIRONMENT IMPROVEMENT PROJECT IN THE SOCIALIST REPUBLIC OF VIET NAM				
PACKAGE B PUMP DRAINAGE IMPROVEMENT BEN ME COC (1) CONTROL GATE PLAN AND SECTION OF CONTROL GATE (2)				
SCALE = 1 : 50				
 JAPAN INTERNATIONAL COOPERATION AGENCY (JICA)				
 PACIFIC CONSULTANTS INTERNATIONAL				
DESIGNED		CHECKED		
TOKUMASU TOSHIAKI		KONDO MASAMI		
DATE : JUNE 2001		DWG. No. PB - PDI - BMC1 - 262		





2 - 2

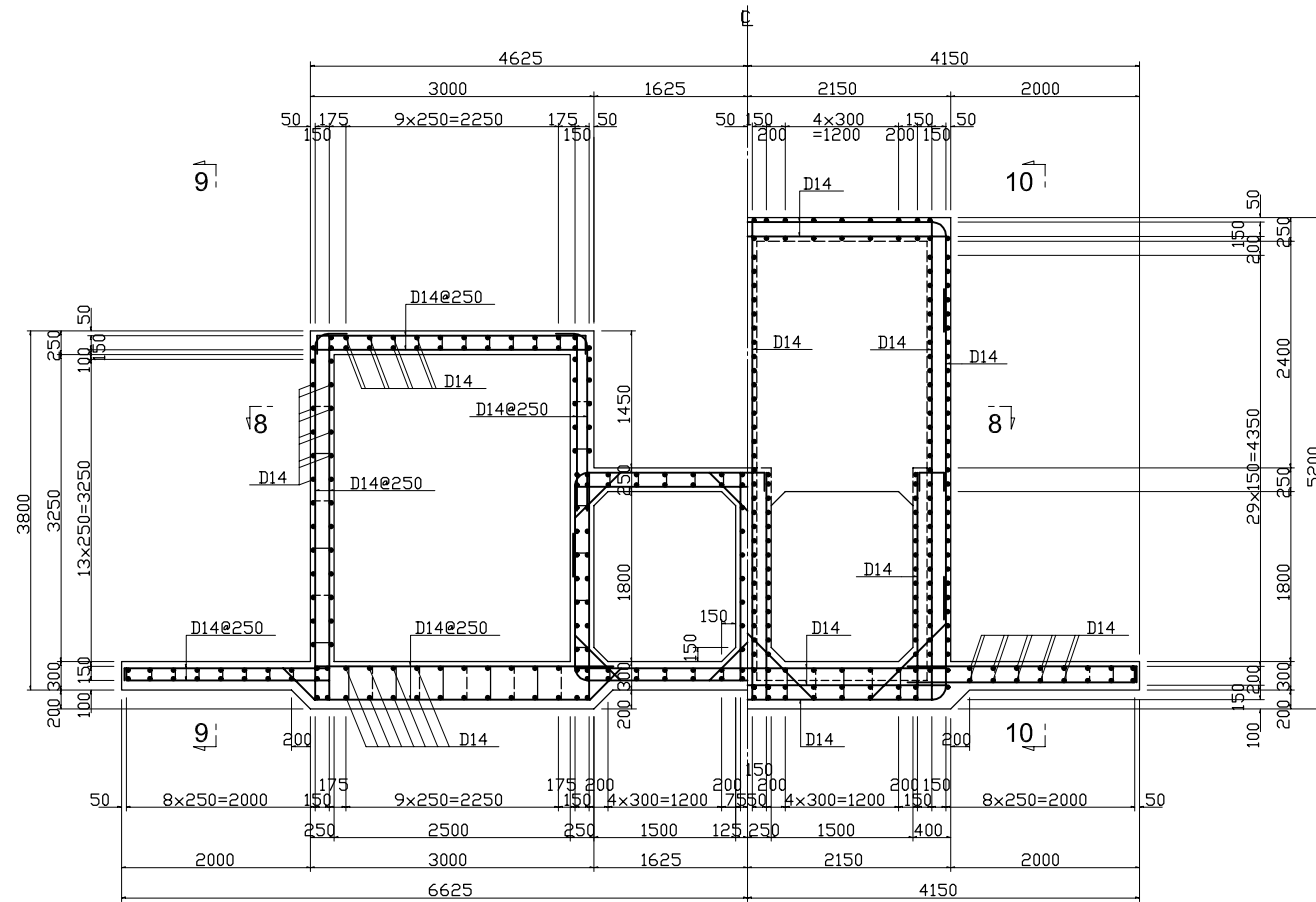


BAR SKELETON
@125

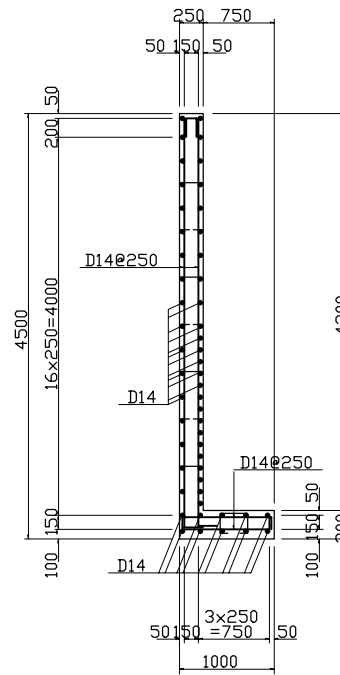


NO.	DATE	DESCRIPTIONS	BY	APPRO.
REVISIONS				
PROJECT MANAGEMENT UNIT FOR HO CHI MINH CITY WATER ENVIRONMENT IMPROVEMENT				
THE DETAILED DESIGN STUDY ON HO CHI MINH CITY WATER ENVIRONMENT IMPROVEMENT PROJECT IN THE SOCIALIST REPUBLIC OF VIET NAM				
PACKAGE B PUMP DRAINAGE IMPROVEMENT BEN ME COC (1) CONTROL GATE BAR ARRANGEMENT OF CONTROL GATE (1)				
SCALE = 1 : 40				
 JAPAN INTERNATIONAL COOPERATION AGENCY (JICA)				
 PACIFIC CONSULTANTS INTERNATIONAL				
DESIGNED TOKUMASU TOSHIKI		CHECKED KONDO MASAMI		
DATE : JUNE 2001		DWG. No. PB - PDI - BMC1 - 263		

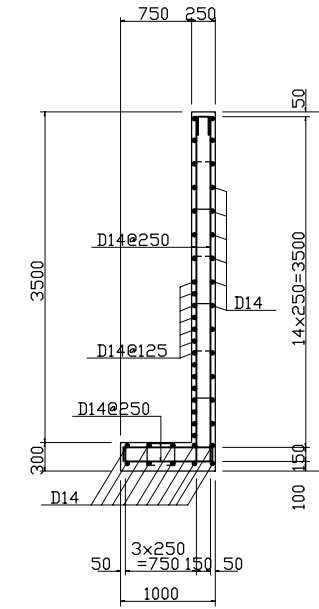
6 - 6 7 - 7



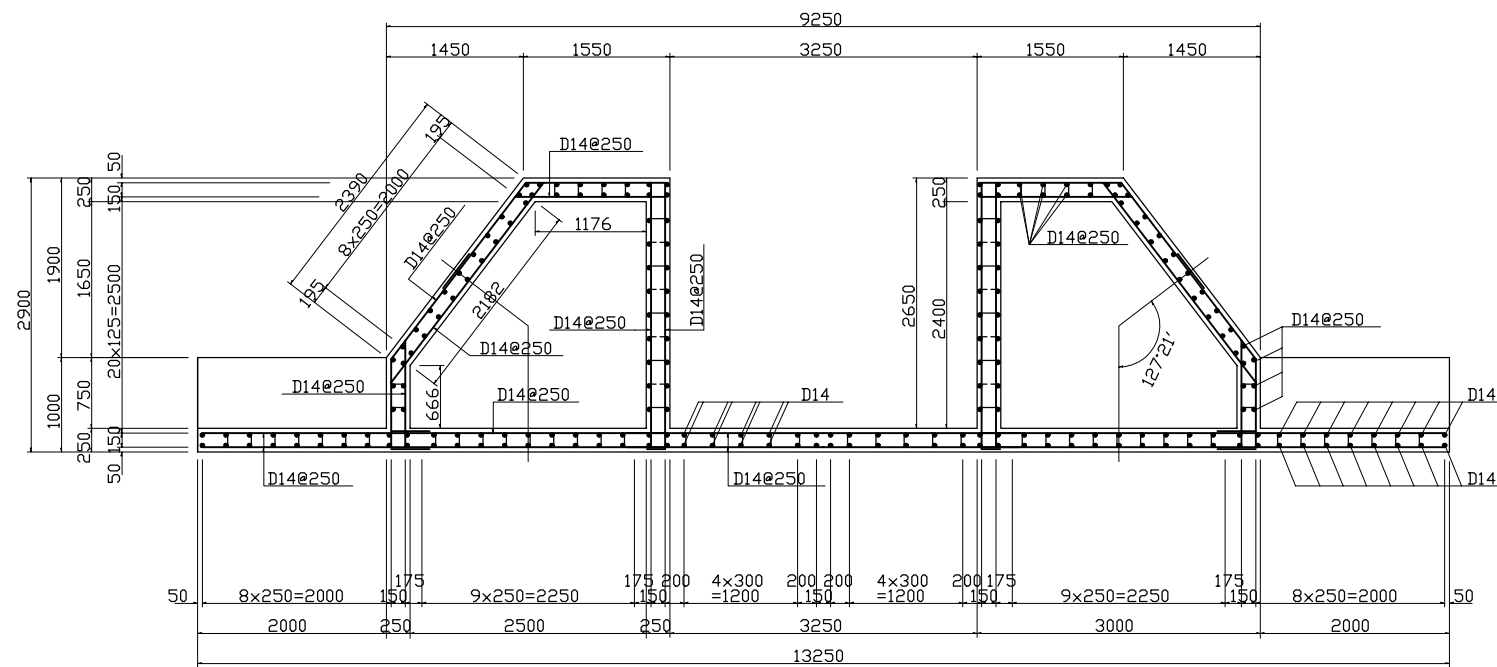
9 - 9



10 - 10



8 - 8



NO.	DATE	DESCRIPTIONS	BY	APRO.
-----	------	--------------	----	-------

REVISIONS

PROJECT MANAGEMENT UNIT FOR
HO CHI MINH CITY
WATER ENVIRONMENT IMPROVEMENT

THE DETAILED DESIGN STUDY ON HO CHI MINH CITY
WATER ENVIRONMENT IMPROVEMENT PROJECT
IN THE SOCIALIST REPUBLIC OF VIET NAM

PACKAGE B
PUMP DRAINAGE IMPROVEMENT
BEN ME COC (1) CONTROL GATE

BAR ARRANGEMENT OF
CONTROL GATE (2)

SCALE = 1 : 50

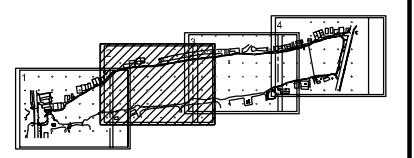
JAPAN INTERNATIONAL COOPERATION
AGENCY (JICA)

PACIFIC CONSULTANTS INTERNATIONAL

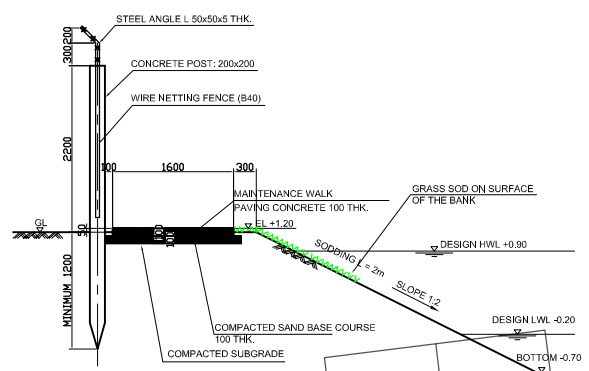
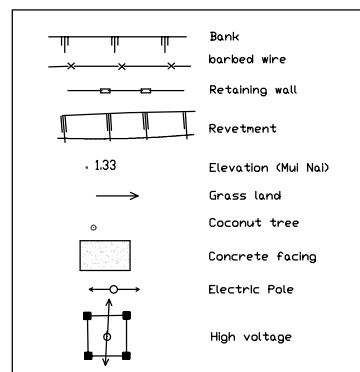
DESIGNED TOKUMASU TOSHIAKI	CHECKED KONDO MASAMI
-------------------------------	-------------------------

DATE : JUNE 2001 DWG. No. PB - PDI - BMC1 - 264

CROSS SECTION OF O/M ROAD SCALE = 1 : 50

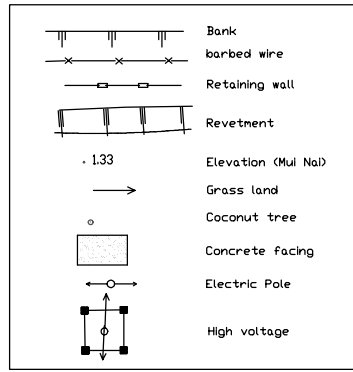


LEGEND

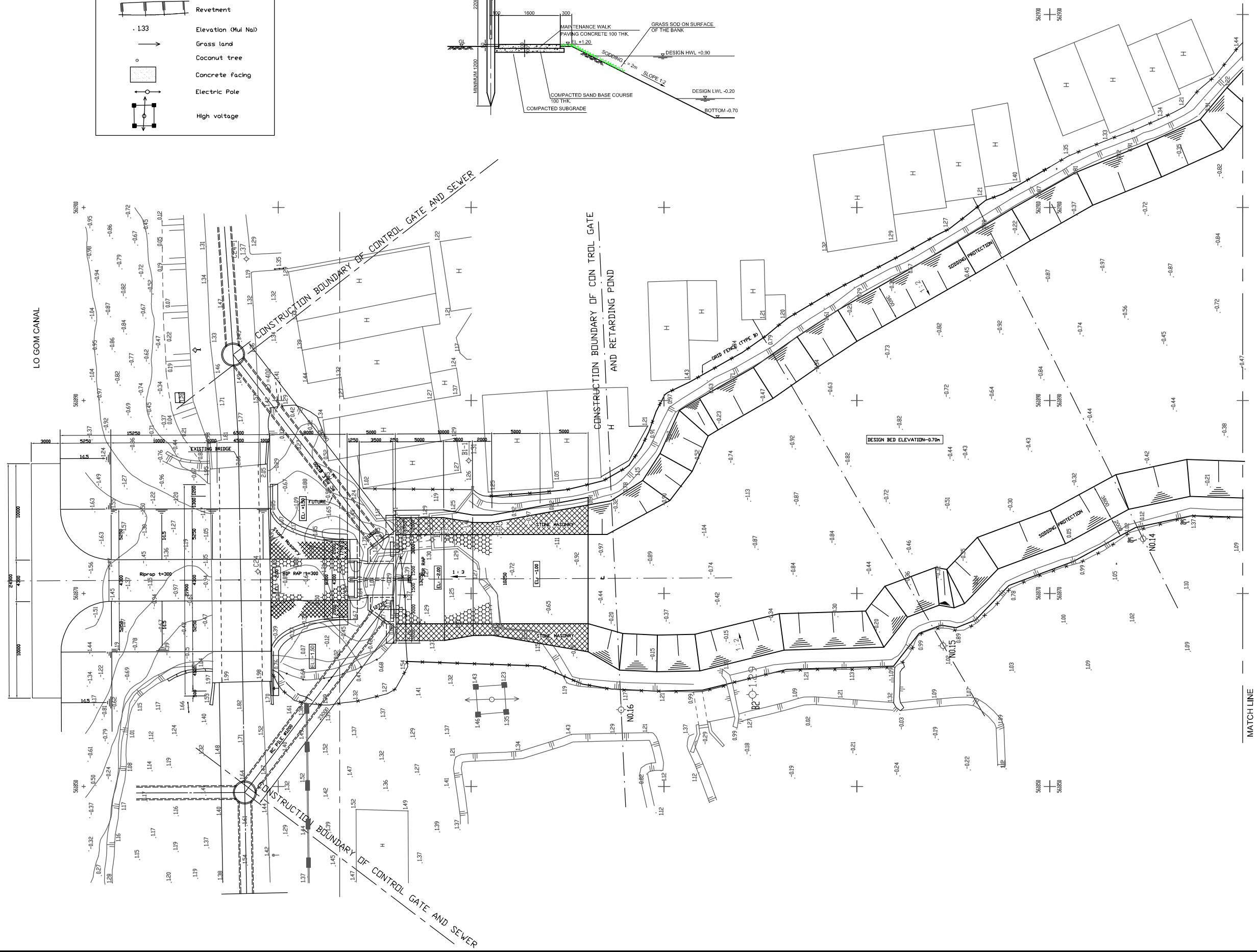
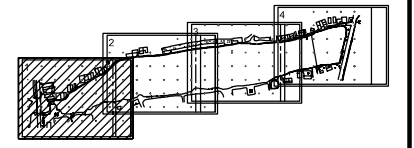
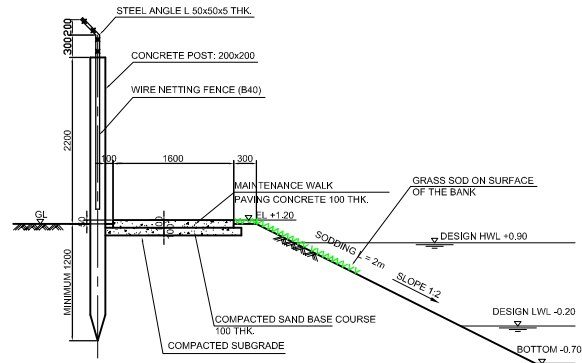


NO.	DATE	DESCRIPTIONS	BY
REVISIONS			
PROJECT MANAGEMENT UNIT FOR HO CHI MINH CITY WATER ENVIRONMENT IMPROVEMENT			
THE DETAILED DESIGN STUDY ON HO CHI MINH CITY WATER ENVIRONMENT IMPROVEMENT PROJECT IN THE SOCIALIST REPUBLIC OF VIET NAM			
PACKAGE B PUMP DRAINAGE IMPROVEMENT BEN MECOC (1) PUMPING STATION PLAN OF RETARDING POND AND TYPICAL SECTION OF O/M PATH (2)			
SCALE = 1 : 200			
JAPAN INTERNATIONAL COOPERATION AGENCY (JICA)			
PACIFIC CONSULTANTS INTERNATIONAL			
DESIGNED TOKUMASU TOSHIKI		CHECKED KONDO MASAMI	
DATE : JUNE 2001		DWG. No. PB - PDI - BMC1 - 266	

LEGEND



CROSS SECTION OF O/M ROAD SCALE = 1 : 50



NO.	DATE	DESCRIPTIONS	BY
REVISIONS			

PROJECT MANAGEMENT UNIT FOR
HO CHI MINH CITY
WATER ENVIRONMENT IMPROVEMENT

THE DETAILED DESIGN STUDY ON HO CHI MINH CITY
WATER ENVIRONMENT IMPROVEMENT PROJECT
IN THE SOCIALIST REPUBLIC OF VIET NAM

PACKAGE B
PUMP DRAINAGE IMPROVEMENT
BEN ME COC (1) PUMPING STATION
PLAN OF RETARDING POND AND
TYPICAL SECTION OF O/M PATH (4)

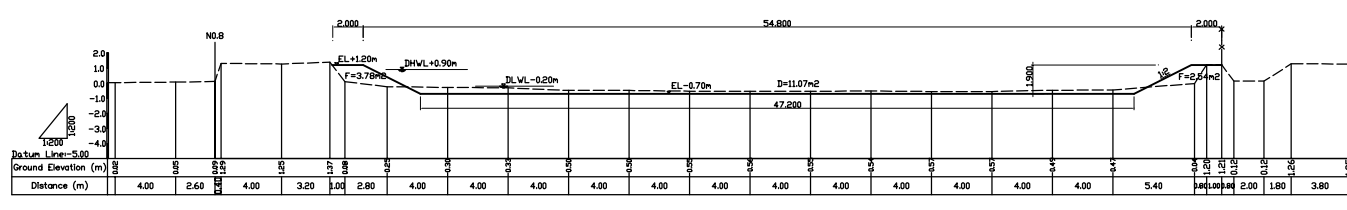
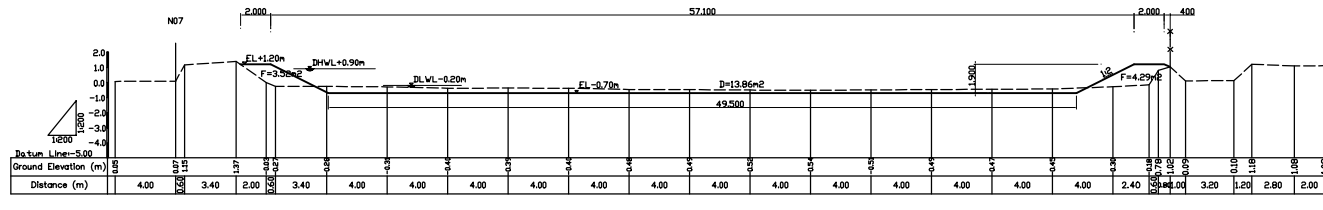
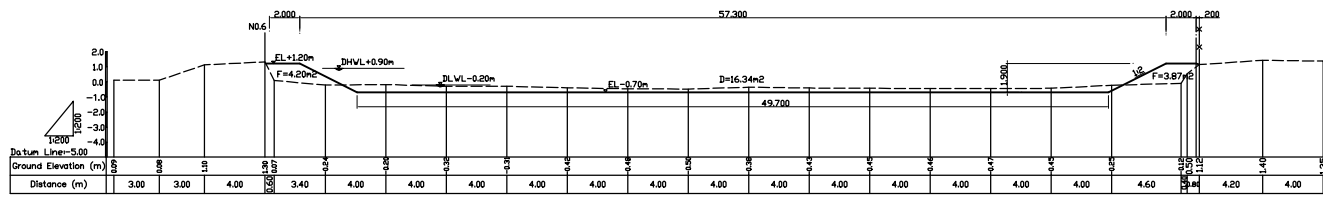
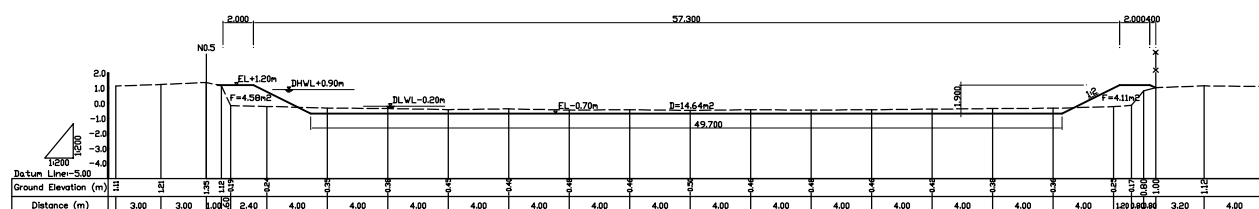
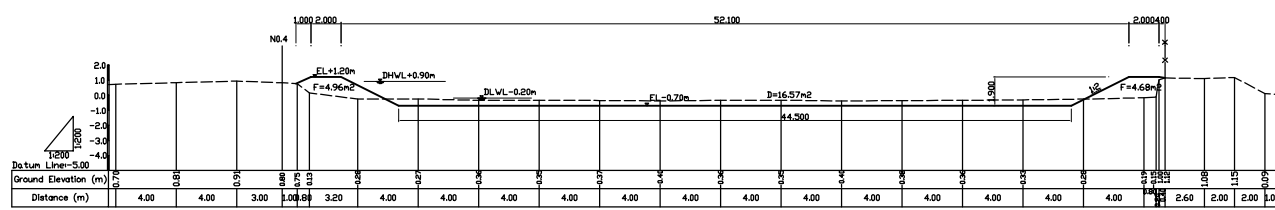
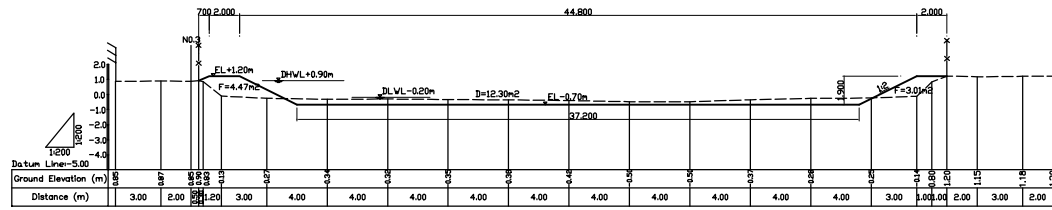
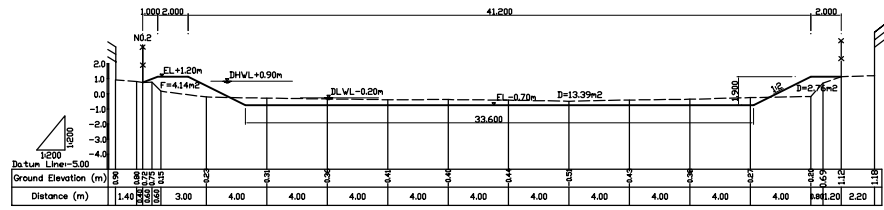
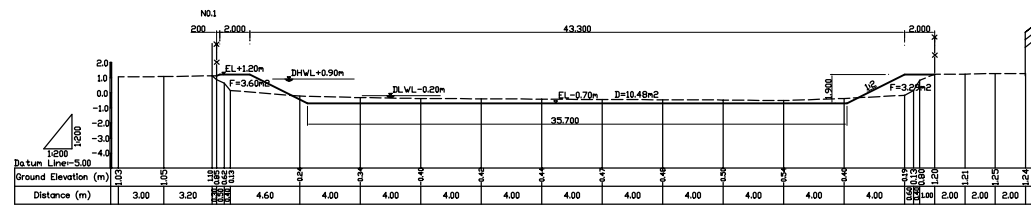
SCALE = 1 : 200

JICA JAPAN INTERNATIONAL COOPERATION AGENCY (JICA)

PACIFIC CONSULTANTS INTERNATIONAL

DESIGNED TOKUMASU TOSHIKI	CHECKED KONDO MASAMI
------------------------------	-------------------------

DATE : JUNE 2001 DWG. No. PB - PDI - BMC1 - 268



NO.	DATE	DESCRIPTIONS	BY	APRO.
-----	------	--------------	----	-------

REVISIONS

PROJECT MANAGEMENT UNIT FOR
HO CHI MINH CITY
WATER ENVIRONMENT IMPROVEMENT

THE DETAILED DESIGN ON HO CHI MINH CITY
WATER ENVIRONMENT IMPROVEMENT PROJECT
IN THE SOCIALIST REPUBLIC OF VIET NAM

PACKAGE B
PUMP DRAINAGE IMPROVEMENT
BEN ME COC 1 PUMPING STATION

CROSS SECTION OF
RETARDING POND (1)

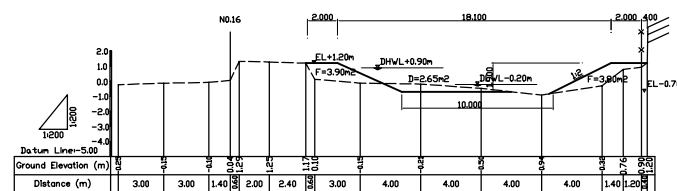
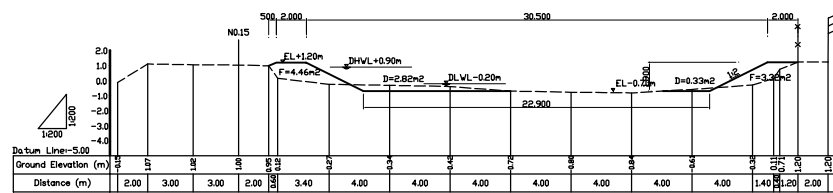
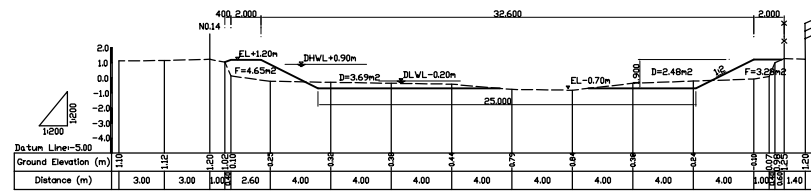
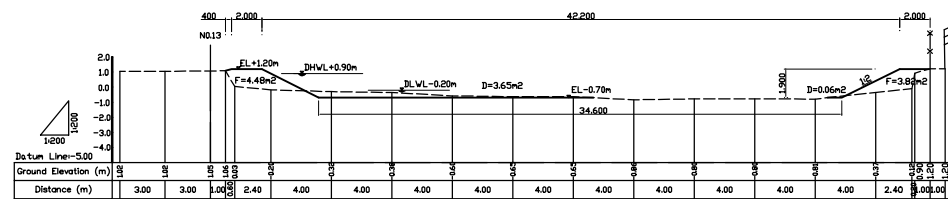
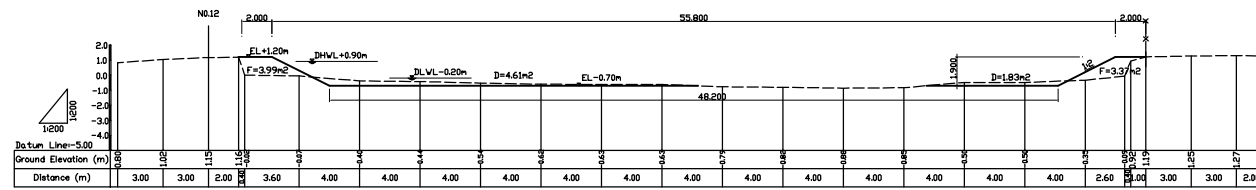
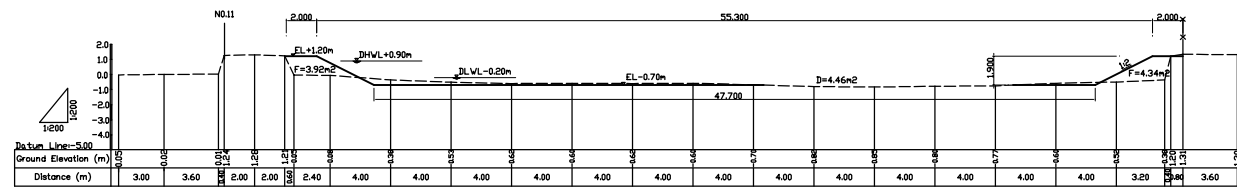
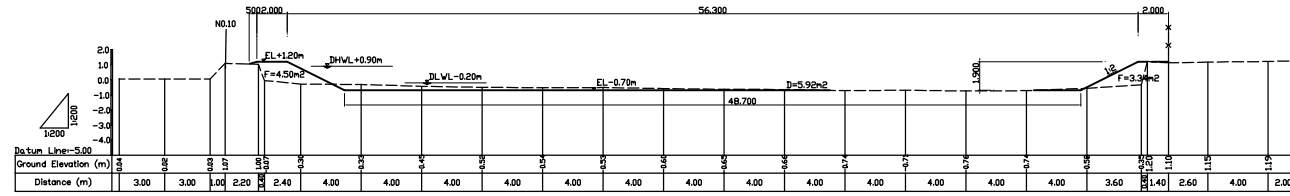
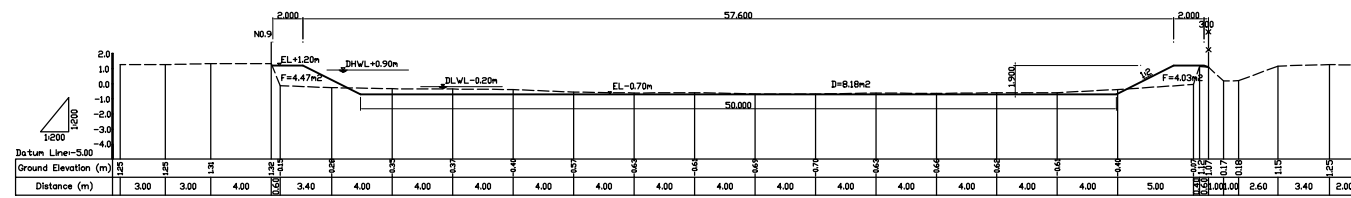
SCALE = 1 : 200

JICA JAPAN INTERNATIONAL COOPERATION
AGENCY (JICA)

PACIFIC CONSULTANTS INTERNATIONAL

DESIGNED TOKUMASU TOSHIKI	CHECKED KONDO MASAMI
------------------------------	-------------------------

DATE : JUNE 2001 DWG. No. PB - PDI - BM1 - 269



NO.	DATE	DESCRIPTIONS	BY	APPRO.

REVISIONS

PROJECT MANAGEMENT UNIT FOR
HO CHI MINH CITY
WATER ENVIRONMENT IMPROVEMENT

THE DETAILED DESIGN ON HO CHI MINH CITY
WATER ENVIRONMENT IMPROVEMENT PROJECT
IN THE SOCIALIST REPUBLIC OF VIET NAM

PACKAGE B
PUMP DRAINAGE IMPROVEMENT
BEN ME COC 1 PUMPING STATION

CROSS SECTION OF
RETARDING POND (2)

SCALE: 1:200

JICA JAPAN INTERNATIONAL COOPERATION
AGENCY (JICA)

PACIFIC CONSULTANTS INTERNATIONAL

DESIGNED: TOKUMASU TOSHIAKI
CHECKED: KONDO MASAMI

DATE: JUNE 2001 DWG. No. PB - PDI - BMC1 - 270