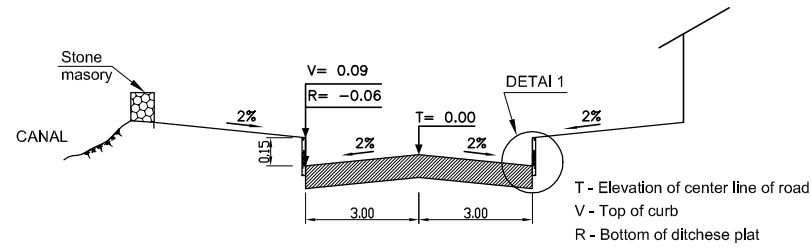
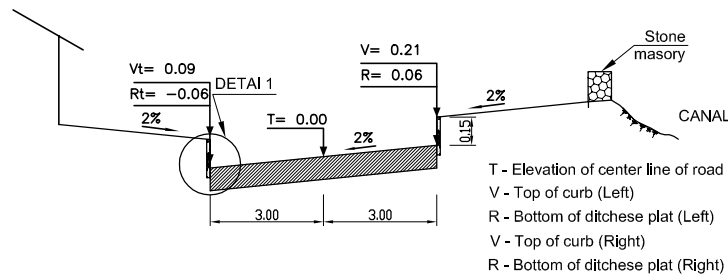


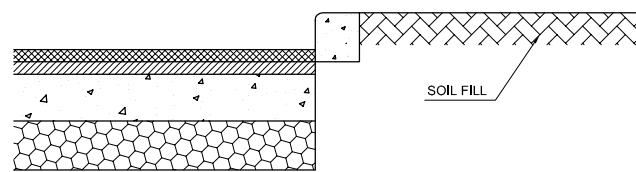
TYPICAL CROSS SECTION OF ROAD:



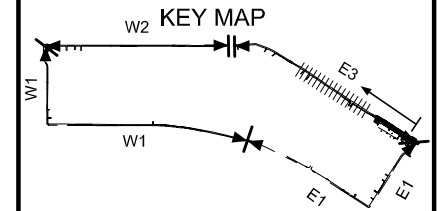
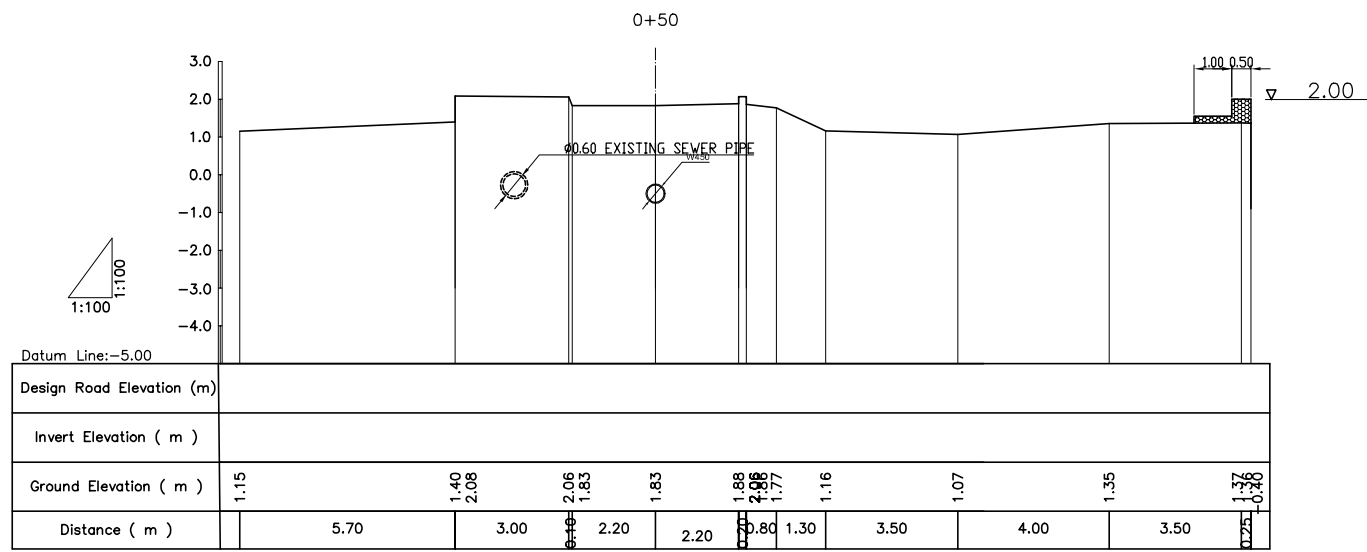
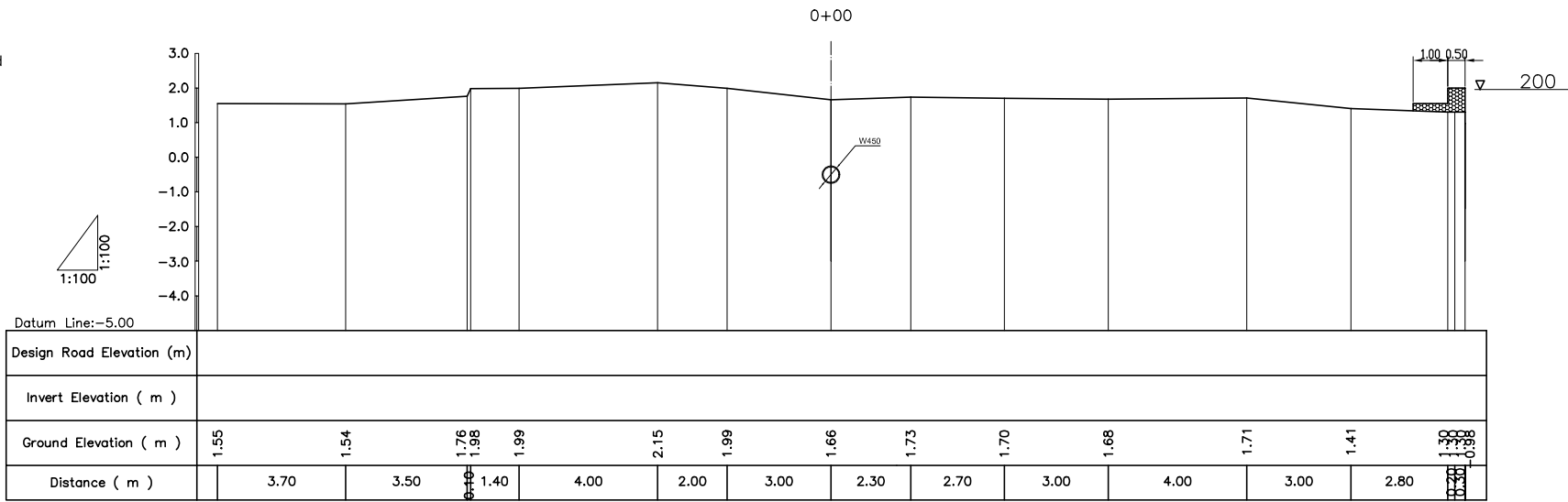
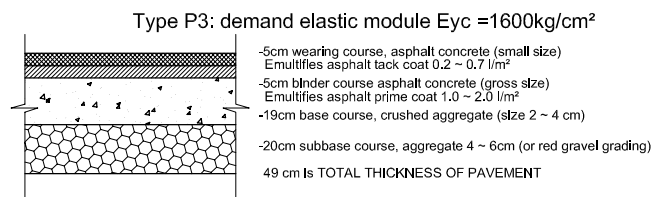
TYPICAL CROSS SECTION OF ROAD:



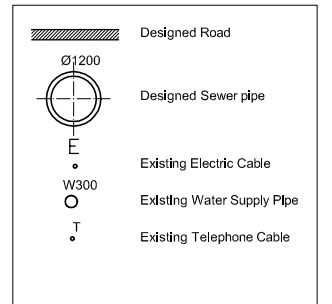
DETAIL 1:



TYPICAL ROAD SURFACE:



LEGEND



NO.	DATE	DESCRIPTIONS	BY	APRO.

REVISIONS

PROJECT MANAGEMENT UNIT FOR
HO CHI MINH CITY
WATER ENVIRONMENT IMPROVEMENT

THE DETAILED DESIGN STUDY ON HO CHI MINH CITY
WATER ENVIRONMENT IMPROVEMENT PROJECT
IN THE SOCIALIST REPUBLIC OF VIET NAM

PACKAGE B
PUMP DRAINAGE IMPROVEMENT
BEN ME COC(1) AREA
**CROSS SECTION OF SEWER, ROAD
AND TEMPORARY DIKE (8)**
BM1- E3(0+00 - 0+50)

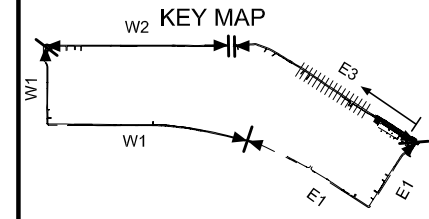
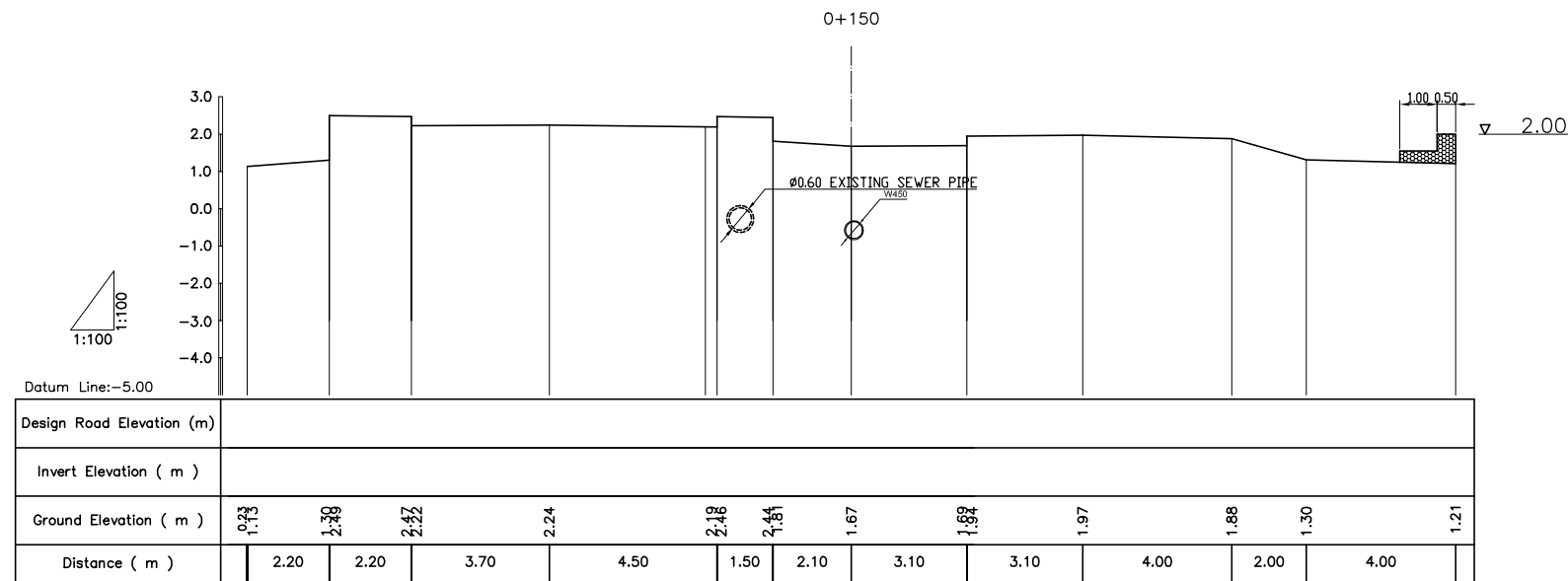
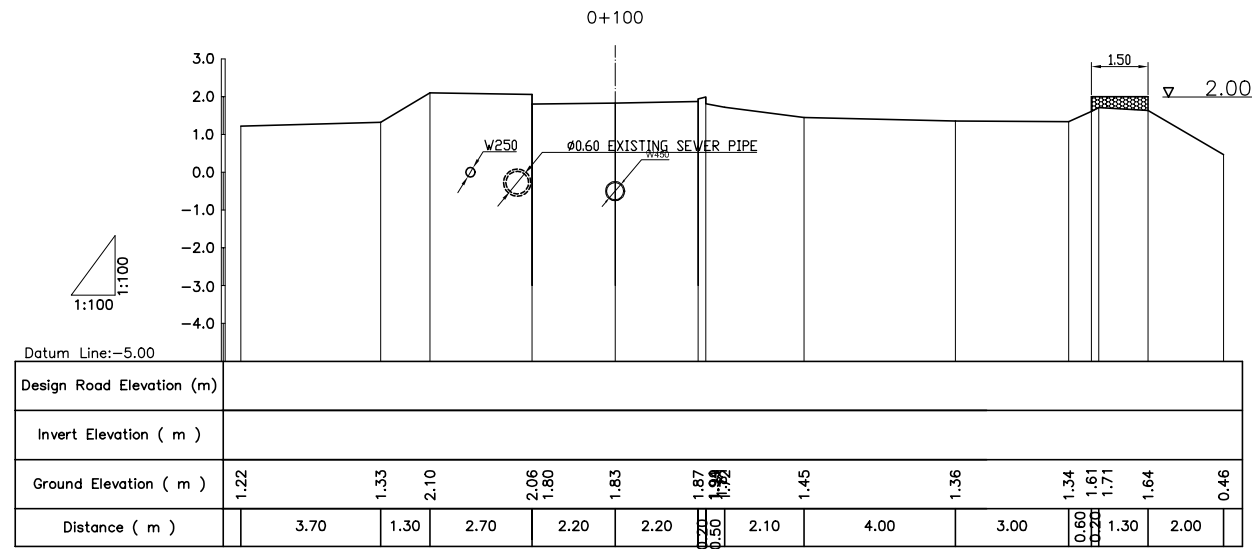
SCALE : 1:100

JICA JAPAN INTERNATIONAL COOPERATION AGENCY (JICA)

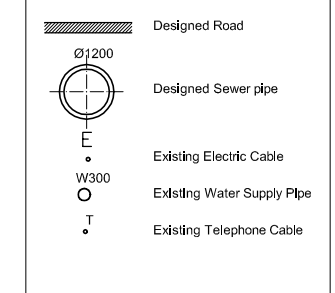
PACIFIC CONSULTANTS INTERNATIONAL

DESIGNED: TOKUMASU TOSHIKI
CHECKED: KONDO MASAMI

DATE : JUNE 2001 DWG. No. PB - PDI - BMC1-226



LEGEND



NO.	DATE	DESCRIPTIONS	BY	APRO.
-----	------	--------------	----	-------

REVISIONS

PROJECT MANAGEMENT UNIT FOR
HO CHI MINH CITY
WATER ENVIRONMENT IMPROVEMENT

THE DETAILED DESIGN STUDY ON HO CHI MINH CITY
WATER ENVIRONMENT IMPROVEMENT PROJECT
IN THE SOCIALIST REPUBLIC OF VIET NAM

PACKAGE B
PUMP DRAINAGE IMPROVEMENT
BEN ME COC(1) AREA
CROSS SECTION OF SEWER, ROAD
AND TEMPORARY DIKE (9)
BM1-E3(0+100 - 0+150)

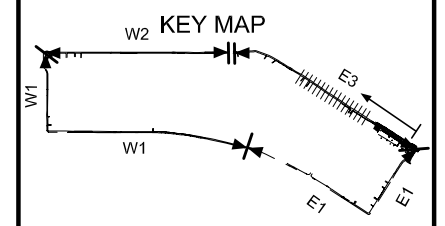
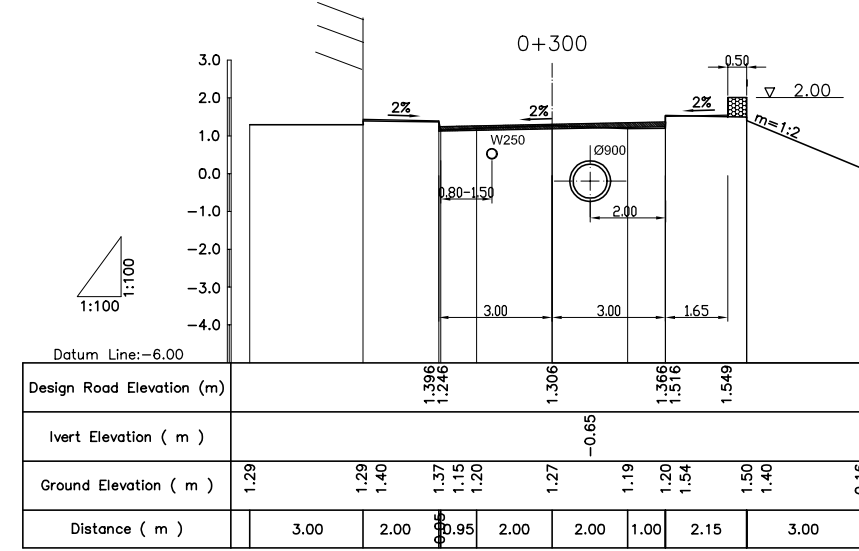
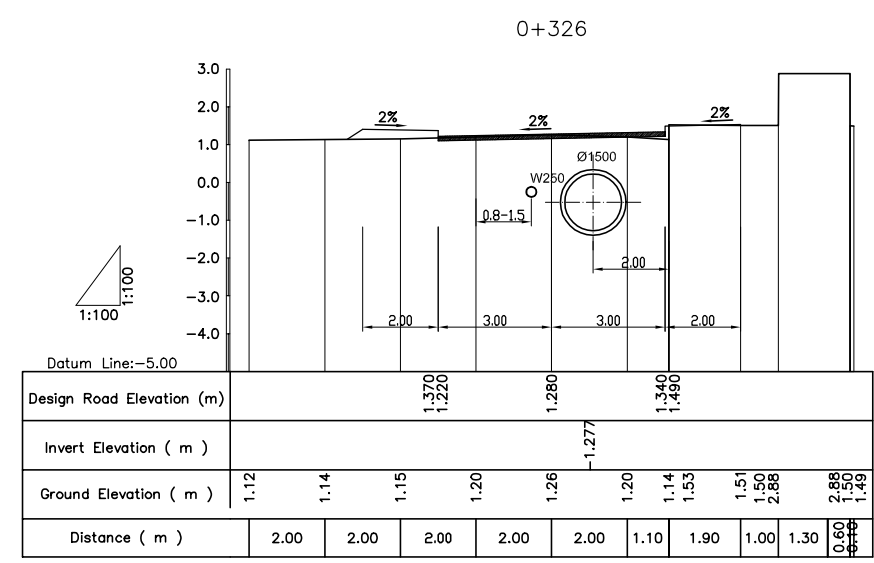
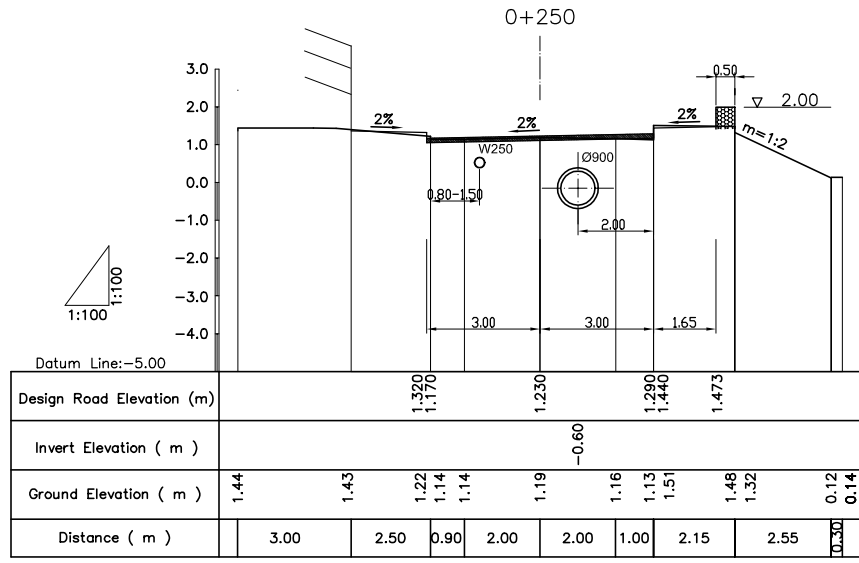
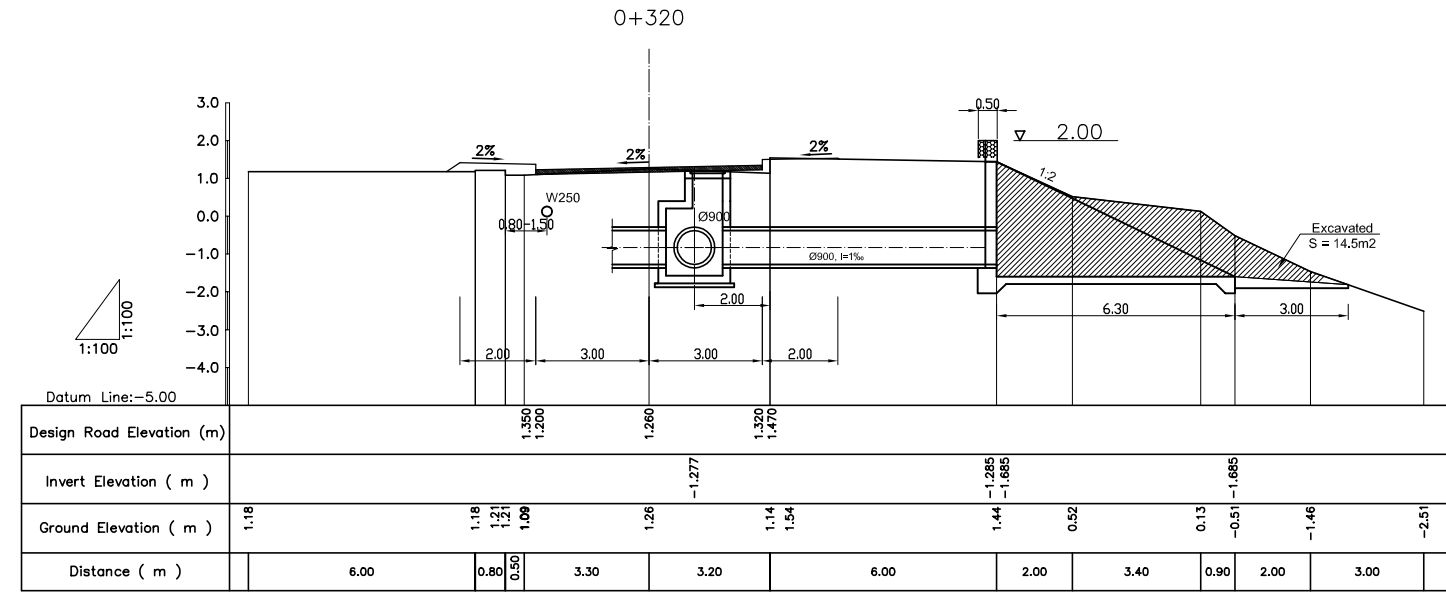
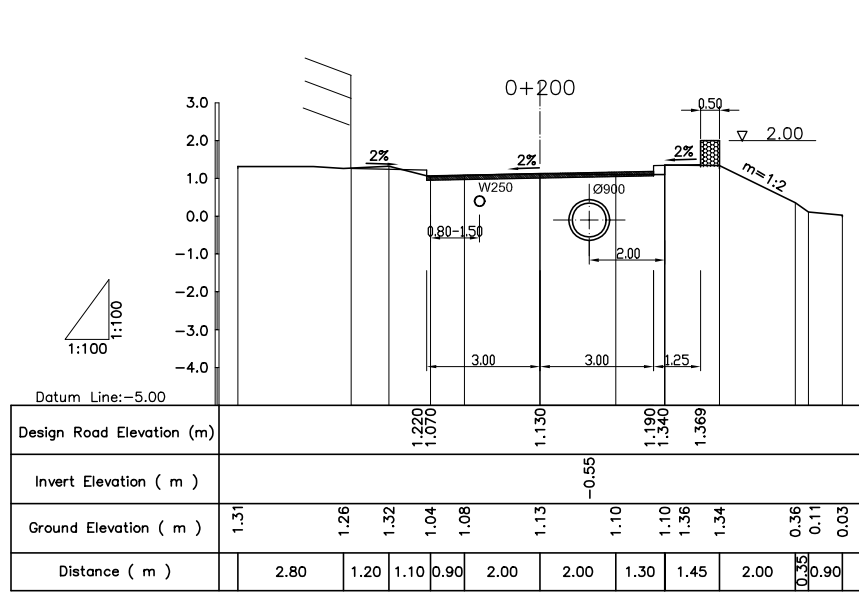
SCALE : 1:100

JICA JAPAN INTERNATIONAL COOPERATION
AGENCY (JICA)

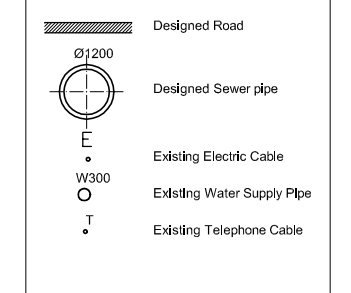
PACIFIC CONSULTANTS INTERNATIONAL

DESIGNED TOKUMASU TOSHIAKI	CHECKED KONDO MASAMI
-------------------------------	-------------------------

DATE : JUNE 2001 DWG. No. PB - PDI - BMC1-227

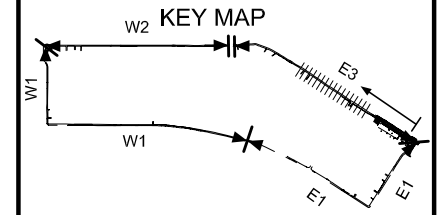
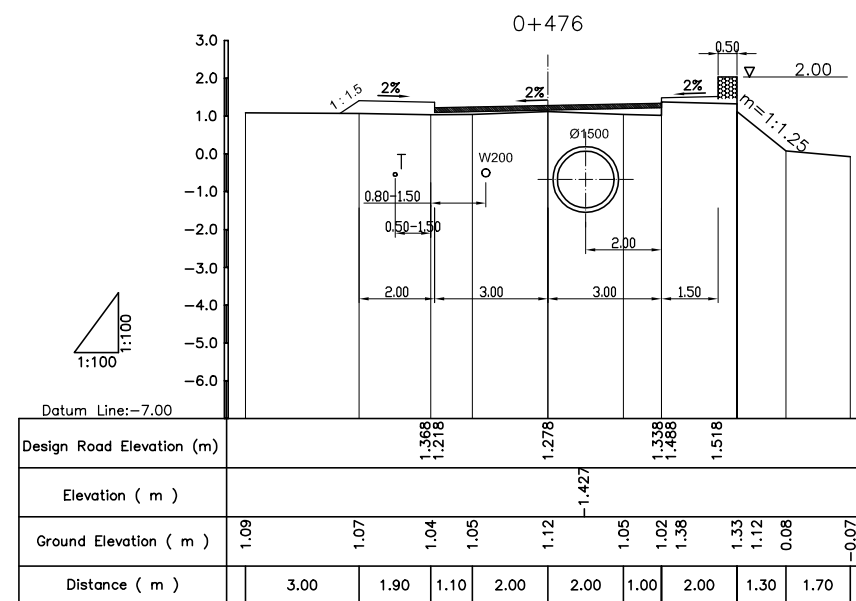
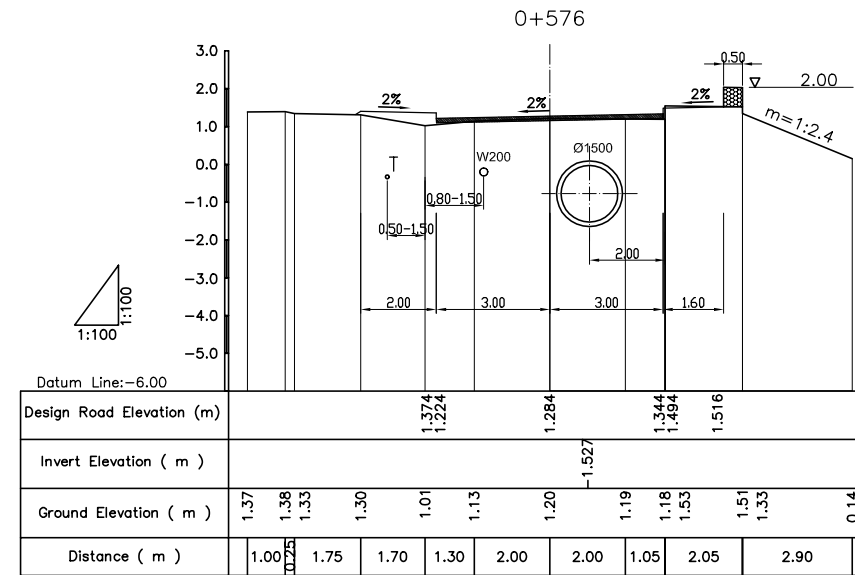
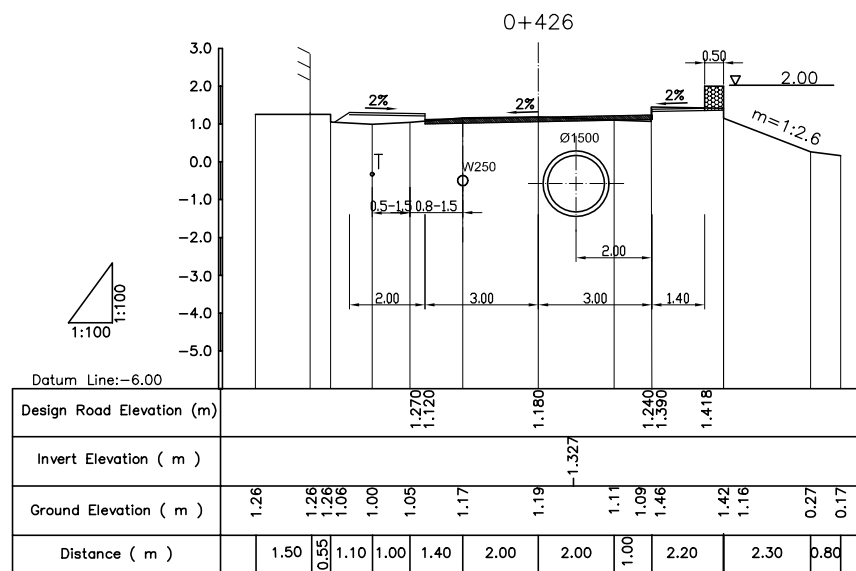
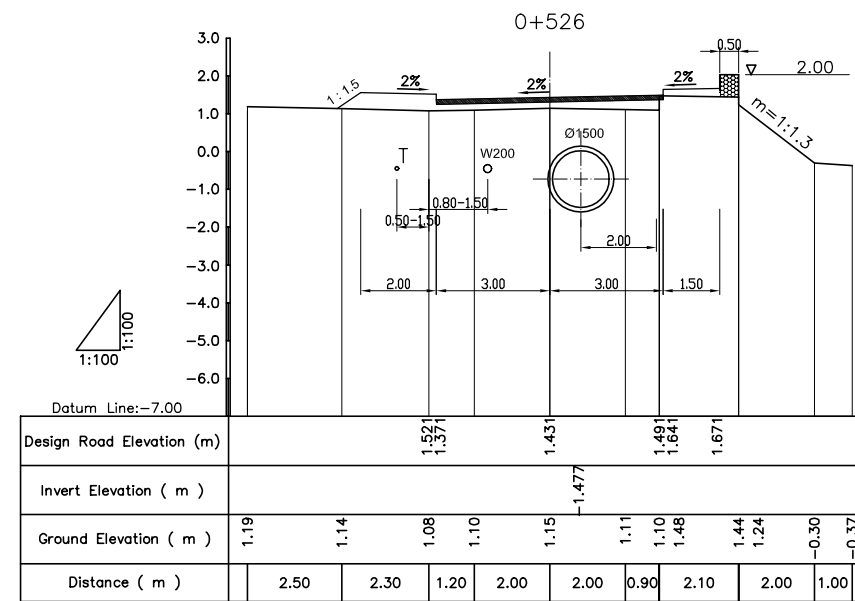
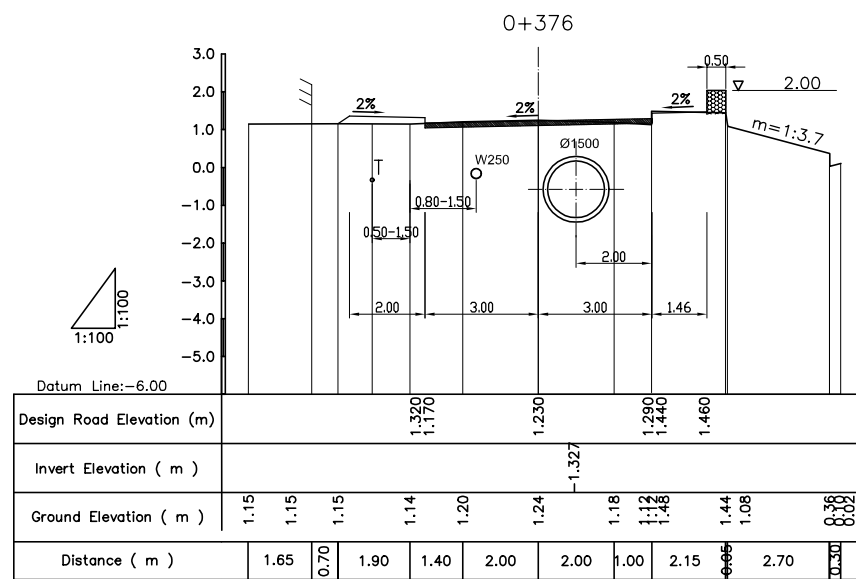


LEGEND

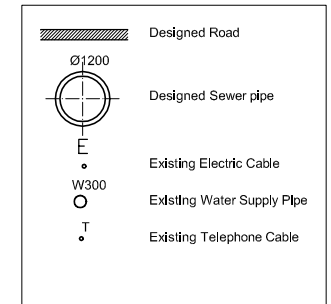


NO.	DATE	DESCRIPTIONS	BY	APRO.

REVISIONS				
PROJECT MANAGEMENT UNIT FOR HO CHI MINH CITY WATER ENVIRONMENT IMPROVEMENT				
THE DETAILED DESIGN STUDY ON HO CHI MINH CITY WATER ENVIRONMENT IMPROVEMENT PROJECT IN THE SOCIALIST REPUBLIC OF VIET NAM				
PACKAGE B PUMP DRAINAGE IMPROVEMENT BEN ME COC(1) AREA CROSS SECTION OF SEWER, ROAD AND TEMPORARY DIKE (10) BM1- E3(0+200 - 0+326)				
SCALE :		1:100		
JICA		JAPAN INTERNATIONAL COOPERATION AGENCY (JICA)		
PC		PACIFIC CONSULTANTS INTERNATIONAL		
DESIGNED TOKUMASU TOSHIKI		CHECKED KONDO MASAMI		
DATE : JUNE 2001		DWG. No. PB - PDI - BMC1-228		



LEGEND



NO.	DATE	DESCRIPTIONS	BY	APRO.

REVISIONS

PROJECT MANAGEMENT UNIT FOR
HO CHI MINH CITY
WATER ENVIRONMENT IMPROVEMENT

THE DETAILED DESIGN STUDY ON HO CHI MINH CITY
WATER ENVIRONMENT IMPROVEMENT PROJECT
IN THE SOCIALIST REPUBLIC OF VIET NAM

PACKAGE B
PUMP DRAINAGE IMPROVEMENT
BEN ME COC(1) AREA

CROSS SECTION OF SEWER, ROAD
AND TEMPORARY DIKE (11)

BM1-E3(0+376 - 0+576)

SCALE : 1:100

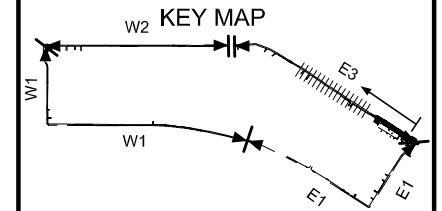
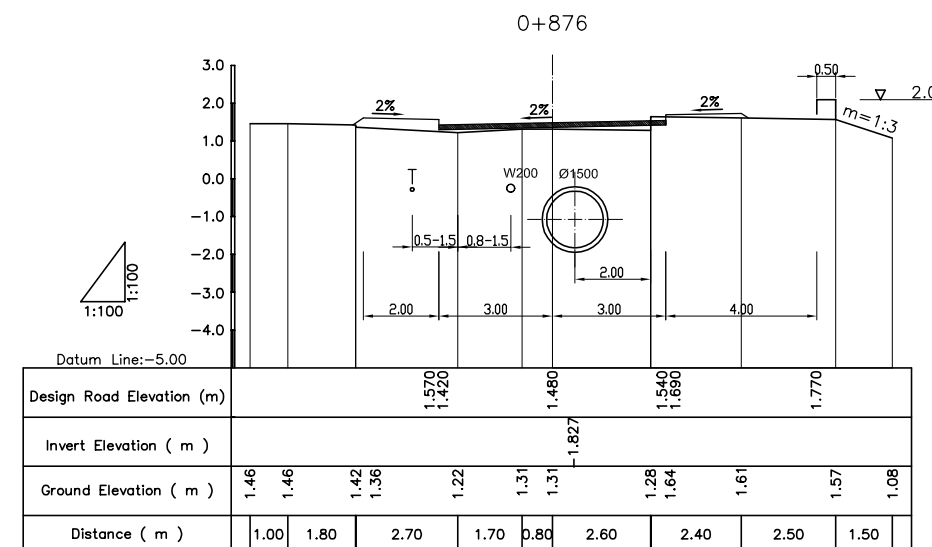
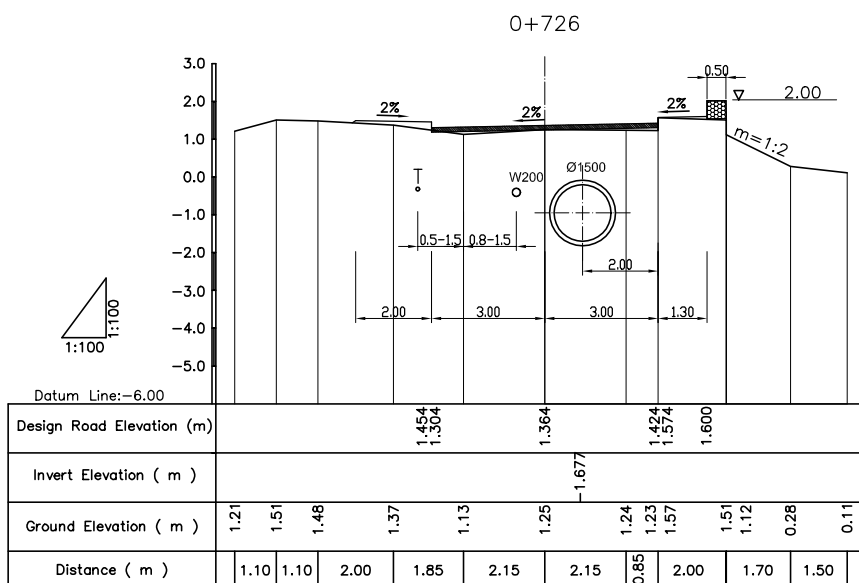
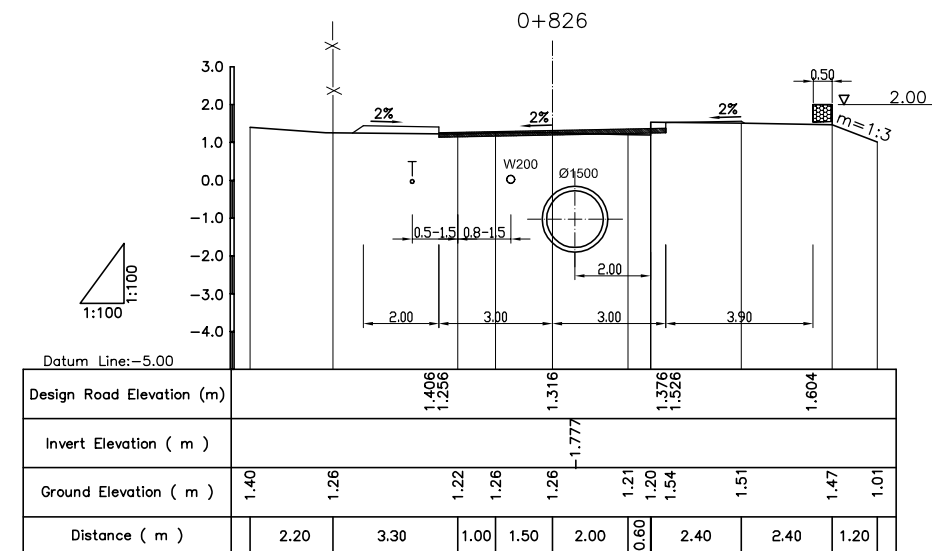
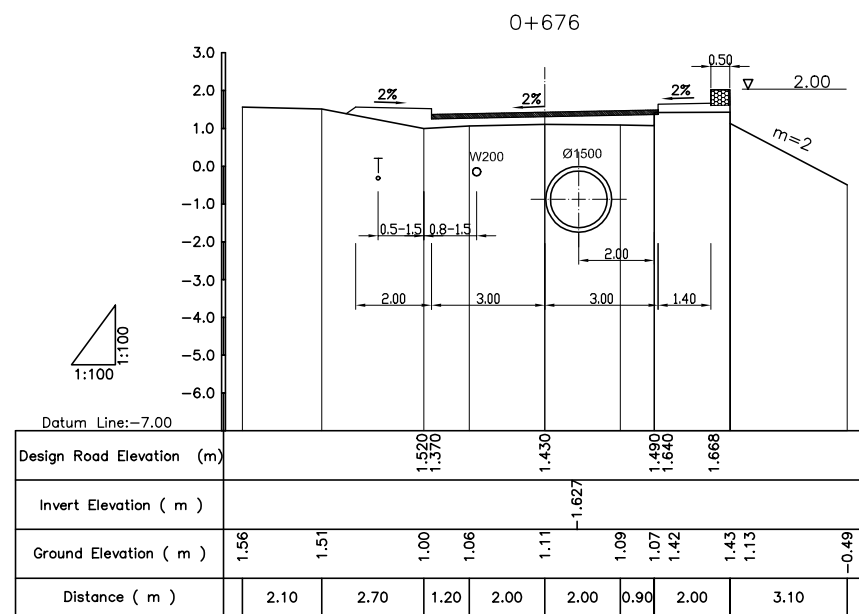
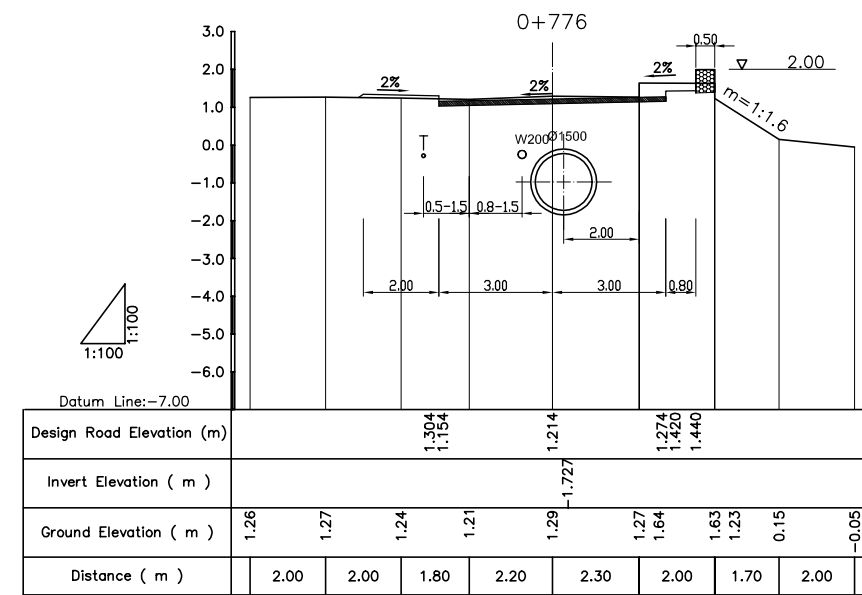
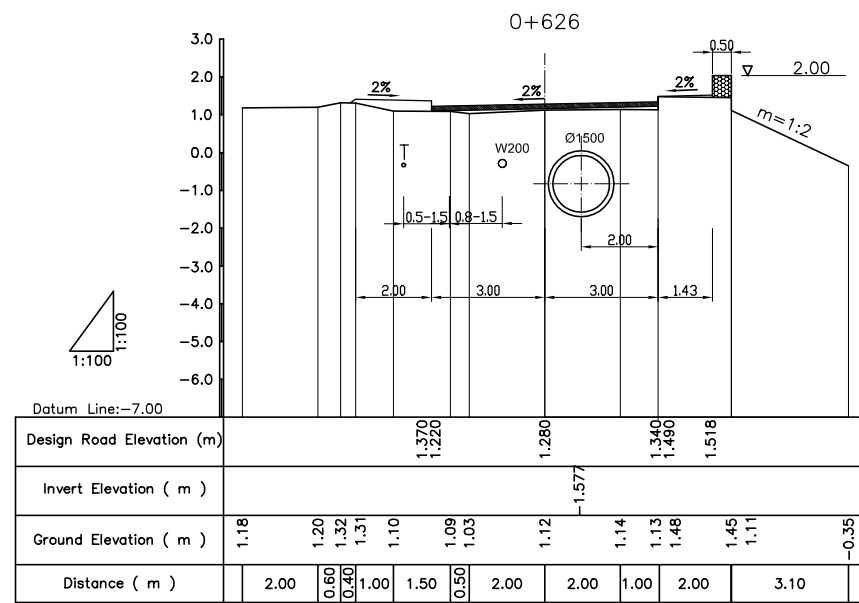
JICA JAPAN INTERNATIONAL COOPERATION
AGENCY (JICA)

PACIFIC CONSULTANTS INTERNATIONAL

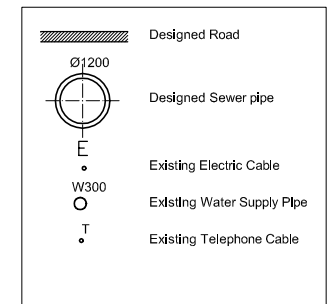
DESIGNED
TOKUMASU TOSHIKI

CHECKED
KONDO MASAMI

DATE : JUNE 2001 DWG. No. PB - PDI - BMC1-229



LEGEND



NO.	DATE	DESCRIPTIONS	BY	APRO.

REVISIONS

PROJECT MANAGEMENT UNIT FOR
HO CHI MINH CITY
WATER ENVIRONMENT IMPROVEMENT

THE DETAILED DESIGN STUDY ON HO CHI MINH CITY
WATER ENVIRONMENT IMPROVEMENT PROJECT
IN THE SOCIALIST REPUBLIC OF VIET NAM

PACKAGE B
PUMP DRAINAGE IMPROVEMENT
BEN ME COC(1) AREA

CROSS SECTION OF SEWER, ROAD
AND TEMPORARY DIKE (12)

BM1-E3(0+626 - 0+876)

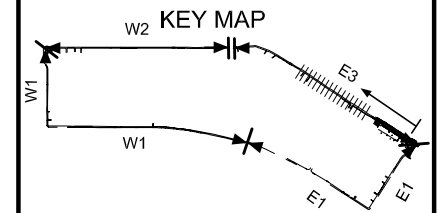
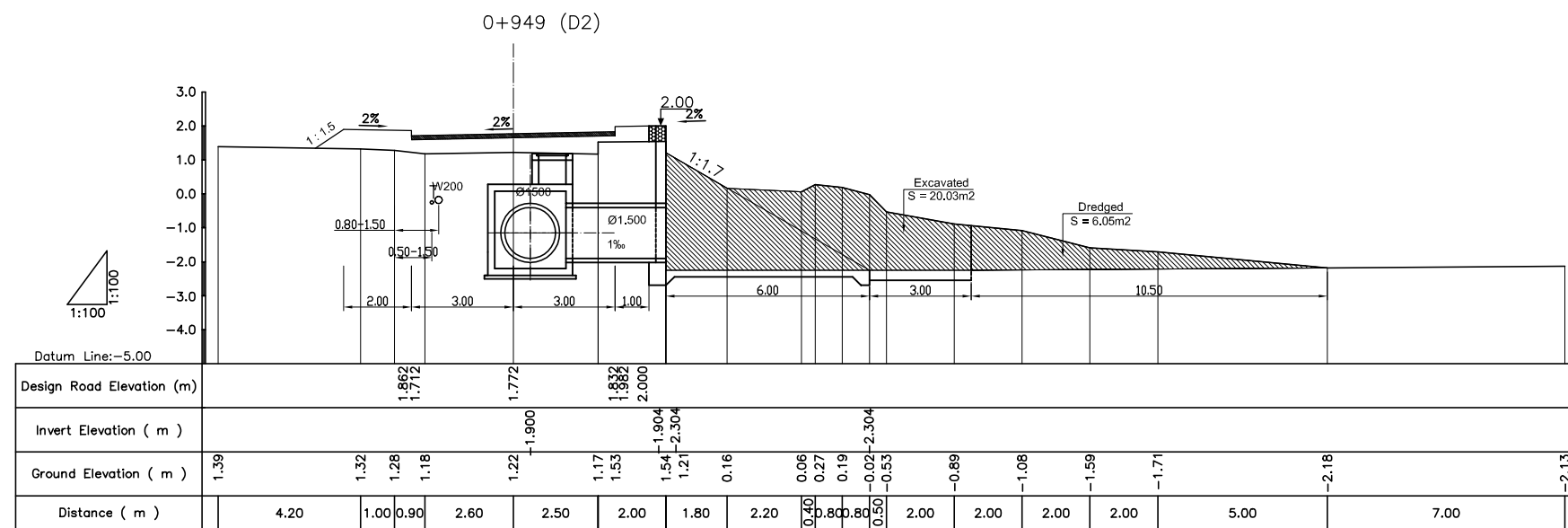
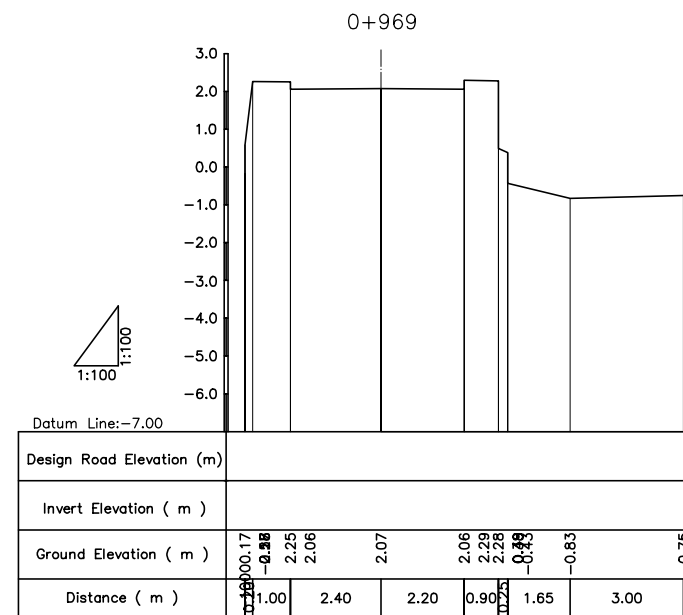
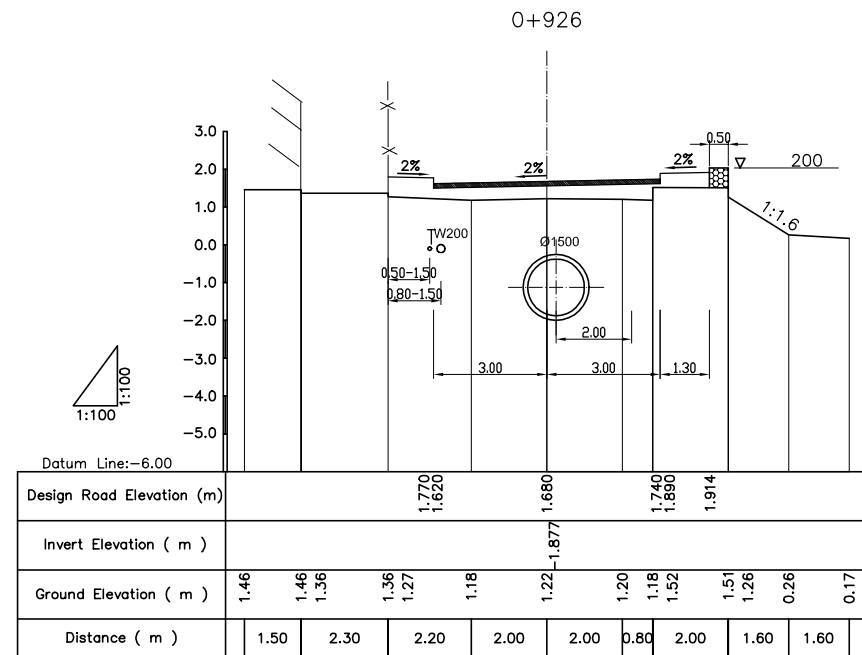
SCALE : 1:100

JICA JAPAN INTERNATIONAL COOPERATION
AGENCY (JICA)

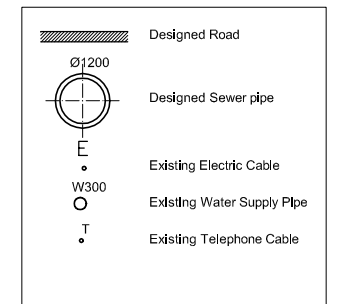
PACIFIC CONSULTANTS INTERNATIONAL

DESIGNED: TOKUMASU TOSHIKI
CHECKED: KONDO MASAMI

DATE: JUNE 2001 DWG. No. PB - PDI - BMC1-230



LEGEND



NO.	DATE	DESCRIPTIONS	BY	APRO.
-----	------	--------------	----	-------

REVISIONS

PROJECT MANAGEMENT UNIT FOR
HO CHI MINH CITY
WATER ENVIRONMENT IMPROVEMENT

THE DETAILED DESIGN STUDY ON HO CHI MINH CITY
WATER ENVIRONMENT IMPROVEMENT PROJECT
IN THE SOCIALIST REPUBLIC OF VIET NAM

PACKAGE B
PUMP DRAINAGE IMPROVEMENT
BEN ME COC(1) AREA

CROSS SECTION OF SEWER, ROAD
AND TEMPORARY DIKE (13)

BM1- E3 (0+926 - 0+969)

SCALE : 1:100

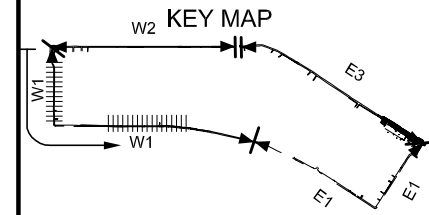
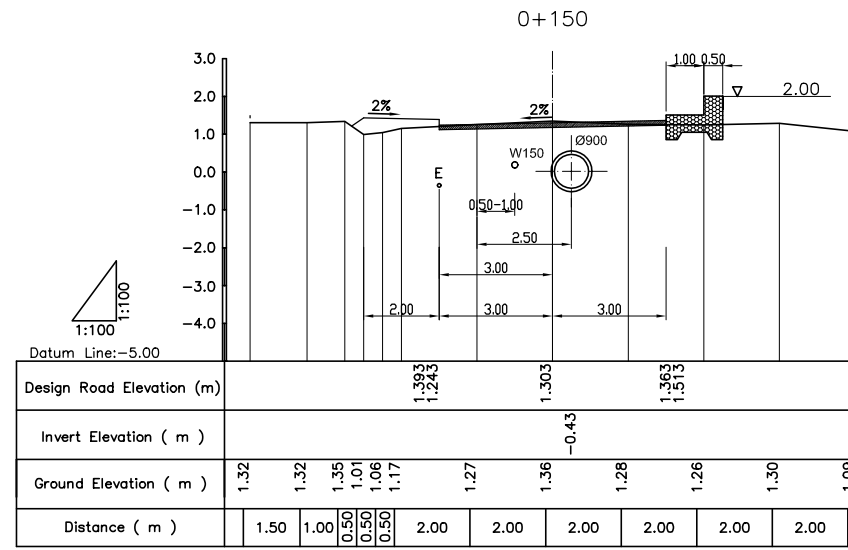
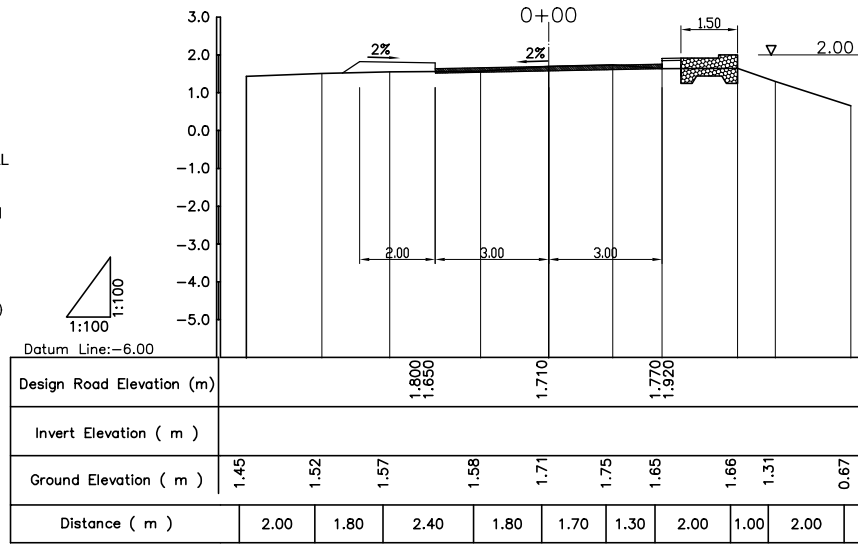
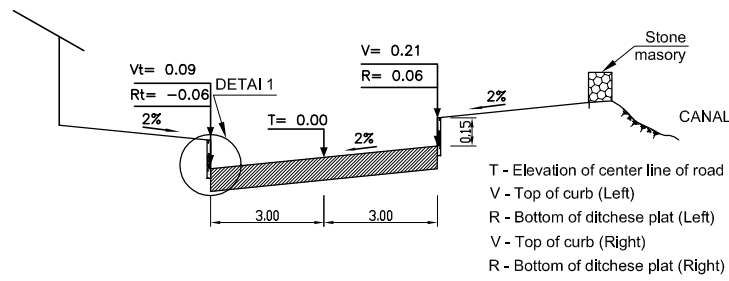
JICA JAPAN INTERNATIONAL COOPERATION AGENCY (JICA)

PACIFIC CONSULTANTS INTERNATIONAL

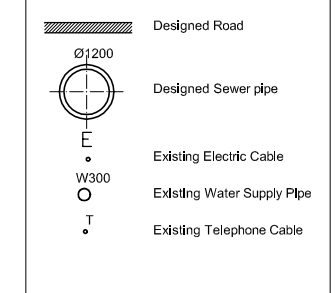
DESIGNED TOKUMASU TOSHIKI	CHECKED KONDO MASAMI
------------------------------	-------------------------

DATE : JUNE 2001 DWG. No. PB - PDI - BMC1-231

TYPICAL CROSS SECTION OF ROAD:



LEGEND



NO.	DATE	DESCRIPTIONS	BY	APRO.

REVISIONS

PROJECT MANAGEMENT UNIT FOR
HO CHI MINH CITY
WATER ENVIRONMENT IMPROVEMENT

THE DETAILED DESIGN STUDY ON HO CHI MINH CITY
WATER ENVIRONMENT IMPROVEMENT PROJECT
IN THE SOCIALIST REPUBLIC OF VIET NAM

PACKAGE B
PUMP DRAINAGE IMPROVEMENT
BEN ME COC(1) AREA

CROSS SECTION OF SEWER, ROAD
AND TEMPORARY DIKE (14)

BM1- W1 (0+00 - 0+250)

SCALE : 1:100

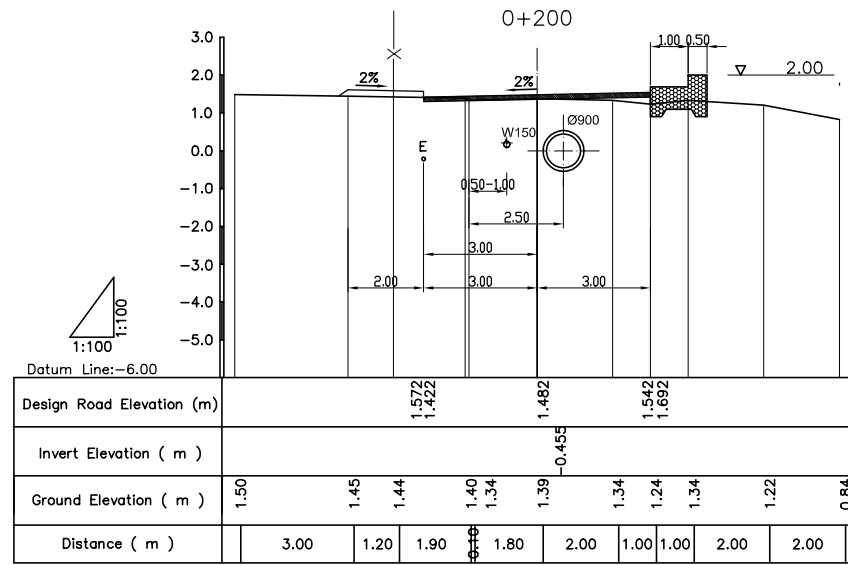
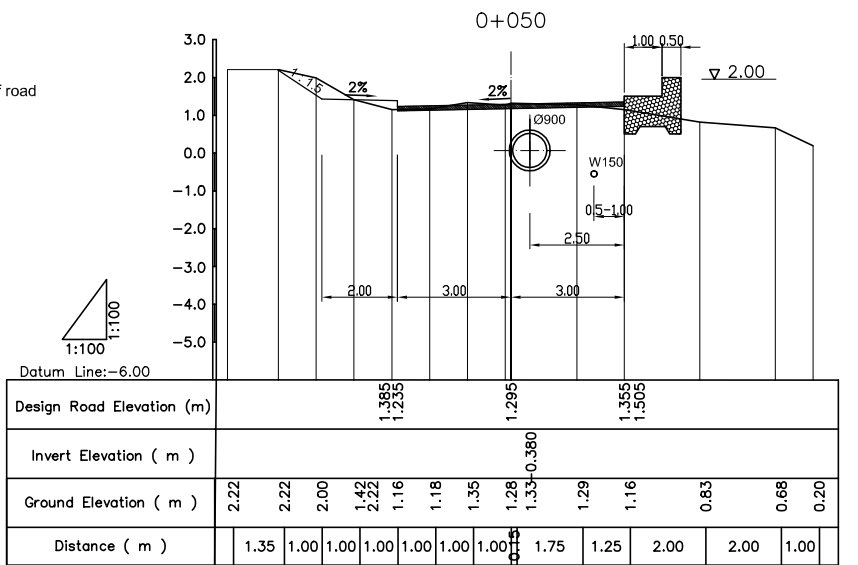
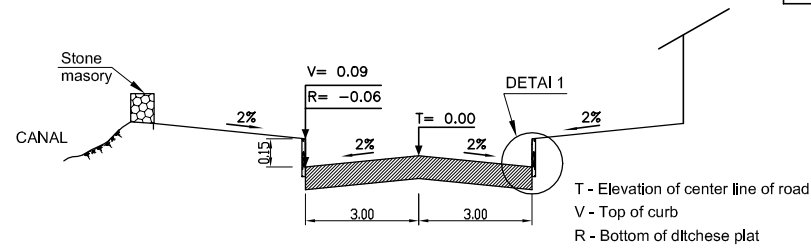
JICA JAPAN INTERNATIONAL COOPERATION AGENCY (JICA)

PACIFIC CONSULTANTS INTERNATIONAL

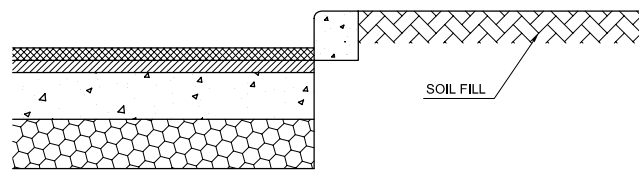
DESIGNED: TOKUMASU TOSHIKI
CHECKED: KONDO MASAMI

DATE: JUNE 2001 DWG. No. PB - PDI - BMC1-232

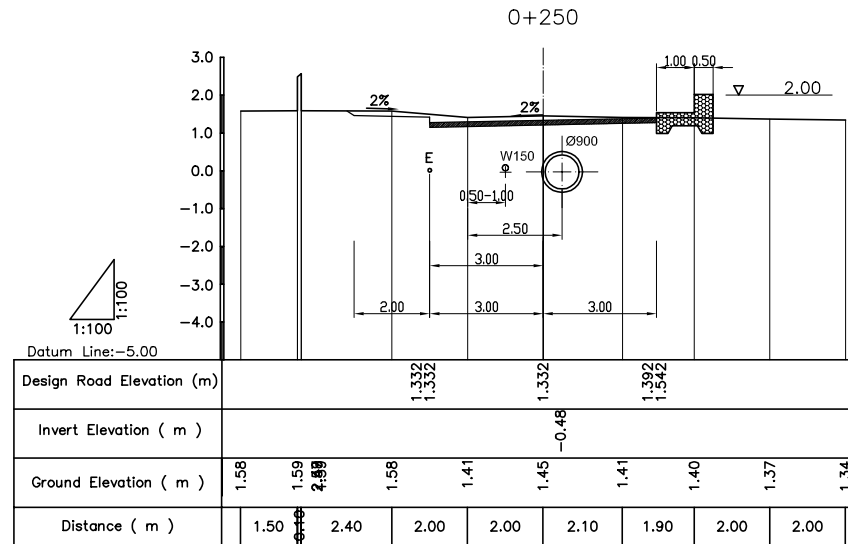
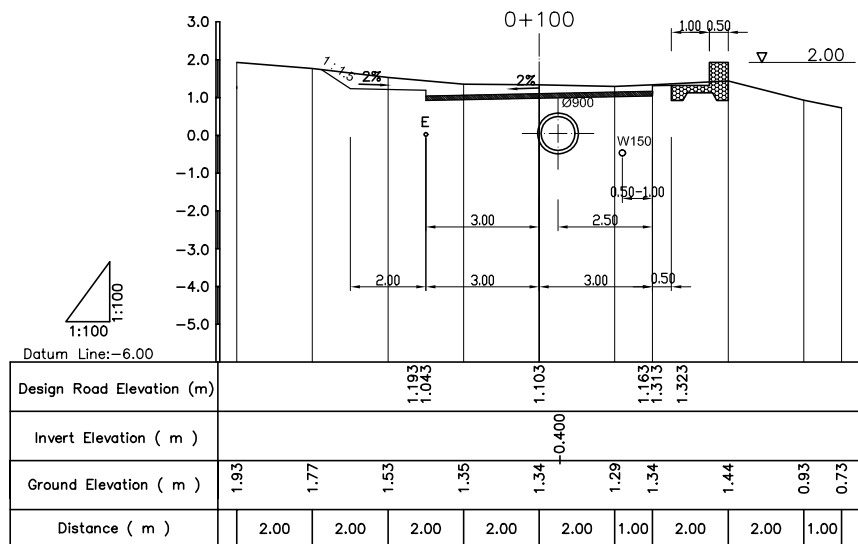
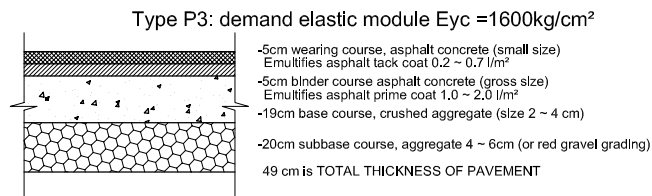
TYPICAL CROSS SECTION OF ROAD:

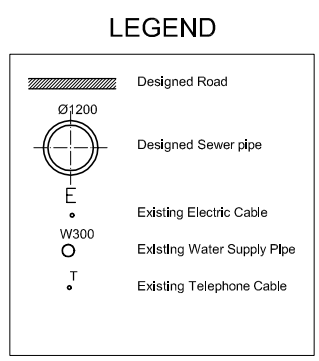
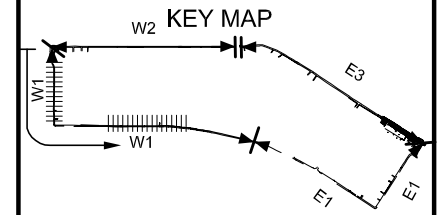
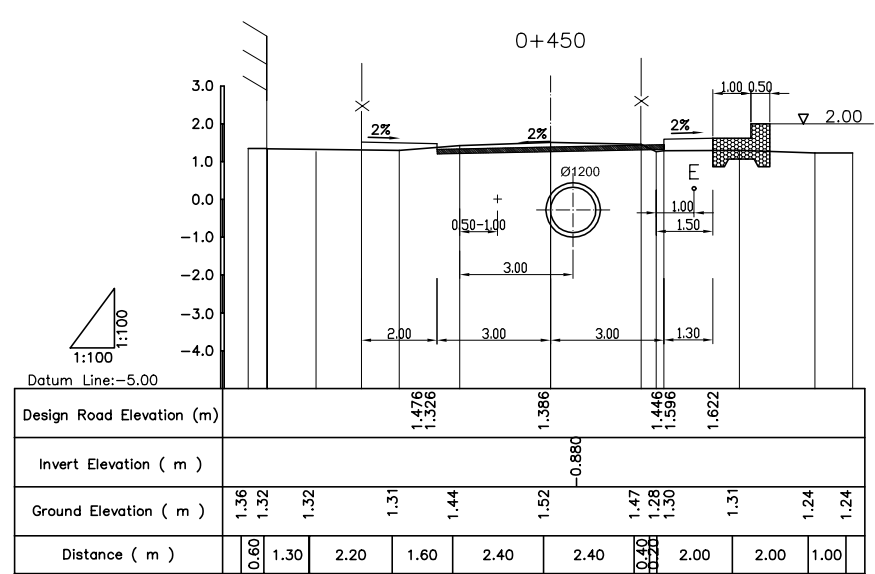
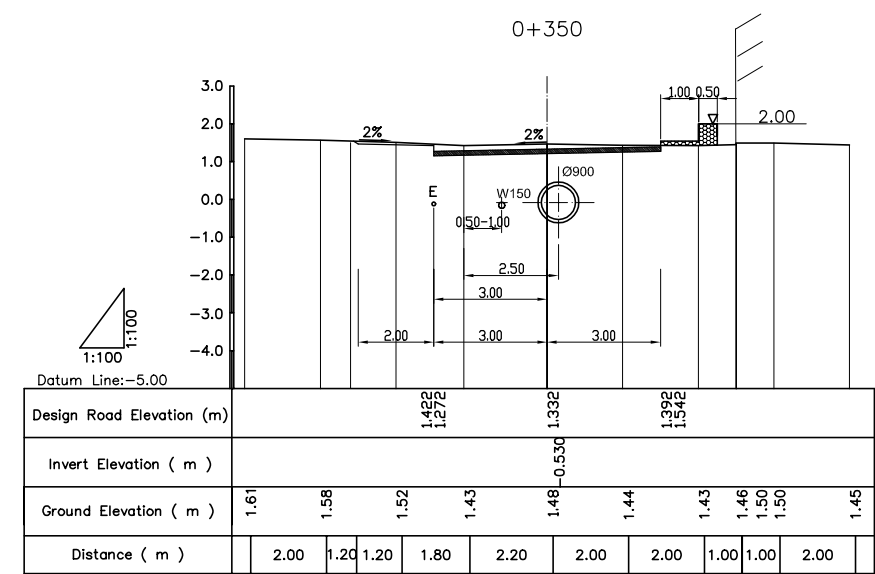
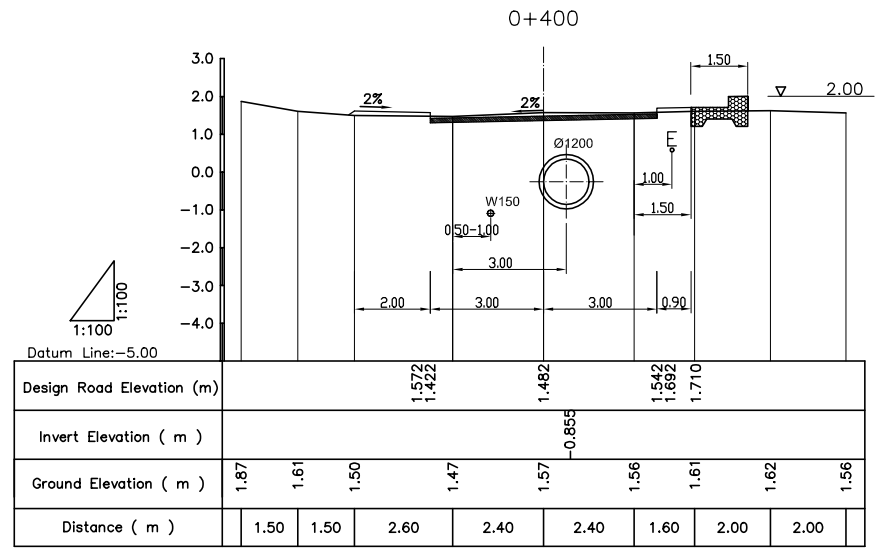
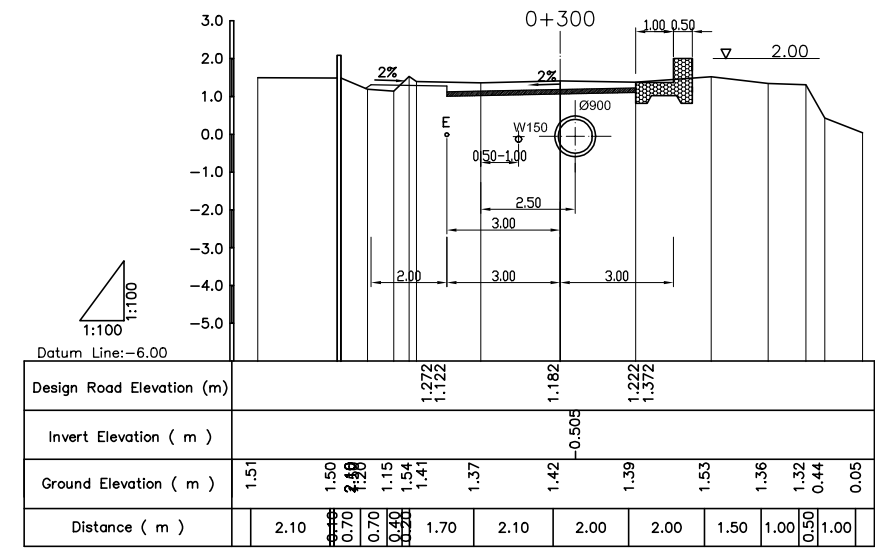
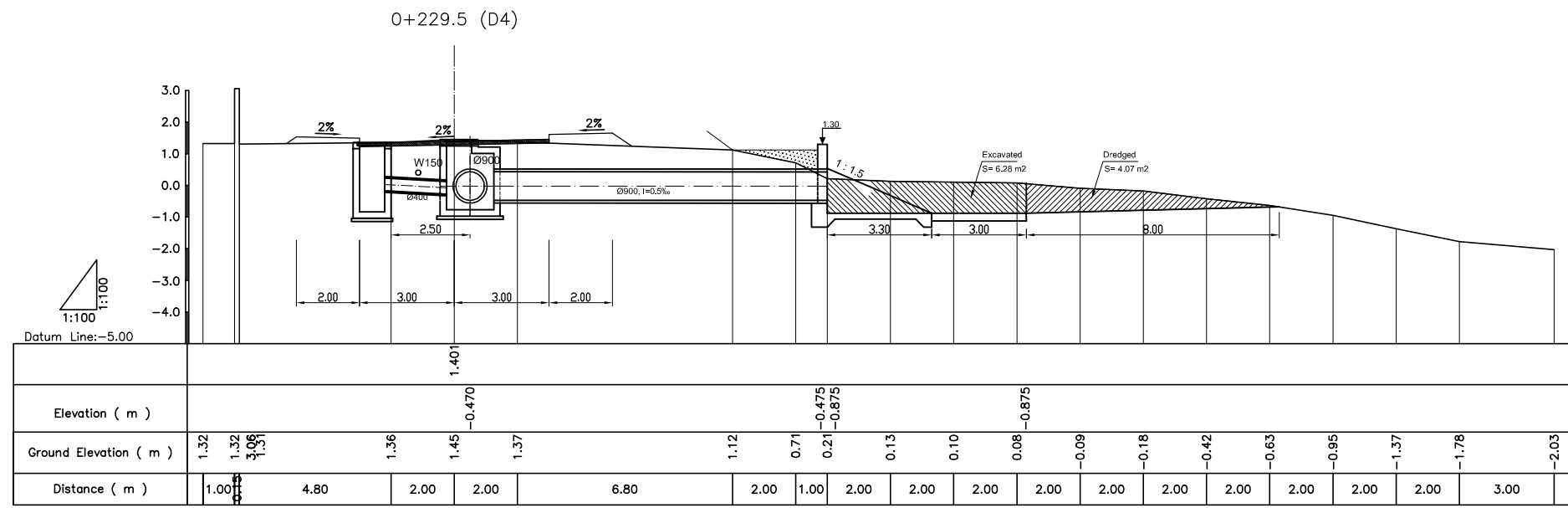


DETAIL 1:



TYPICAL ROAD SURFACE:





NO.	DATE	DESCRIPTIONS	BY	APRO.
-----	------	--------------	----	-------

REVISIONS

PROJECT MANAGEMENT UNIT FOR
HO CHI MINH CITY
WATER ENVIRONMENT IMPROVEMENT

THE DETAILED DESIGN STUDY ON HO CHI MINH CITY
WATER ENVIRONMENT IMPROVEMENT PROJECT
IN THE SOCIALIST REPUBLIC OF VIET NAM

PACKAGE B
PUMP DRAINAGE IMPROVEMENT
BEN ME COC(1) AREA

CROSS SECTION OF SEWER, ROAD
AND TEMPORARY DIKE (15)

BM1- W1 (0+300 - 0+450)

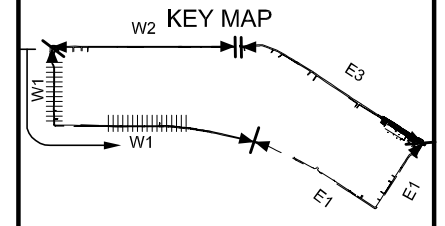
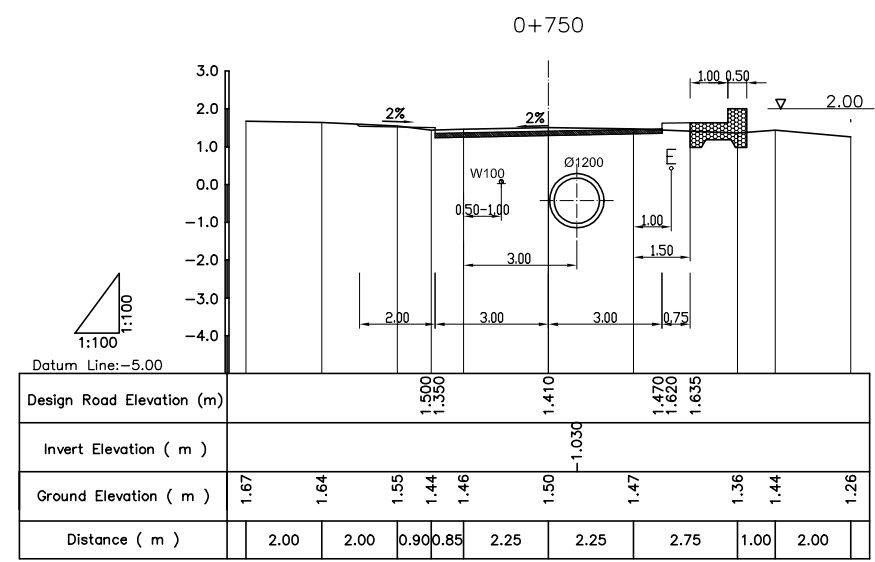
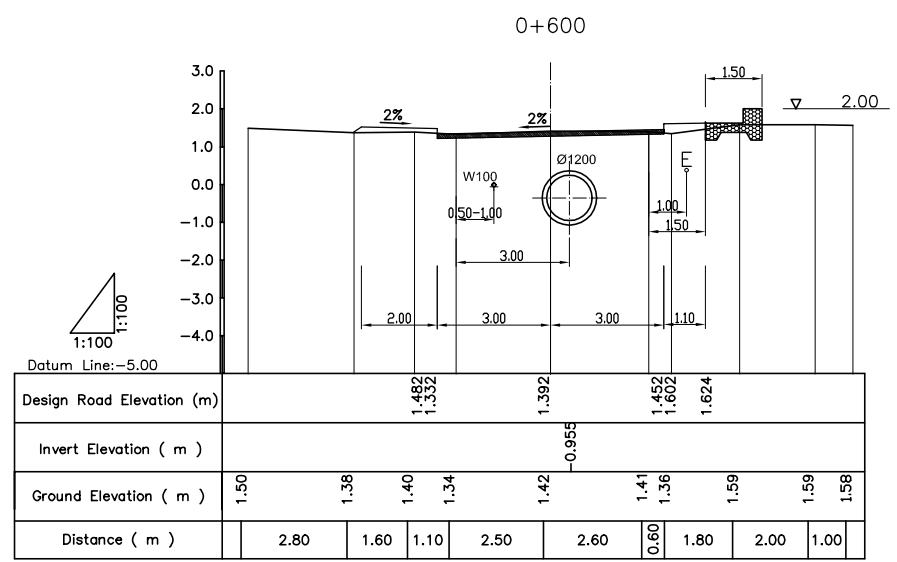
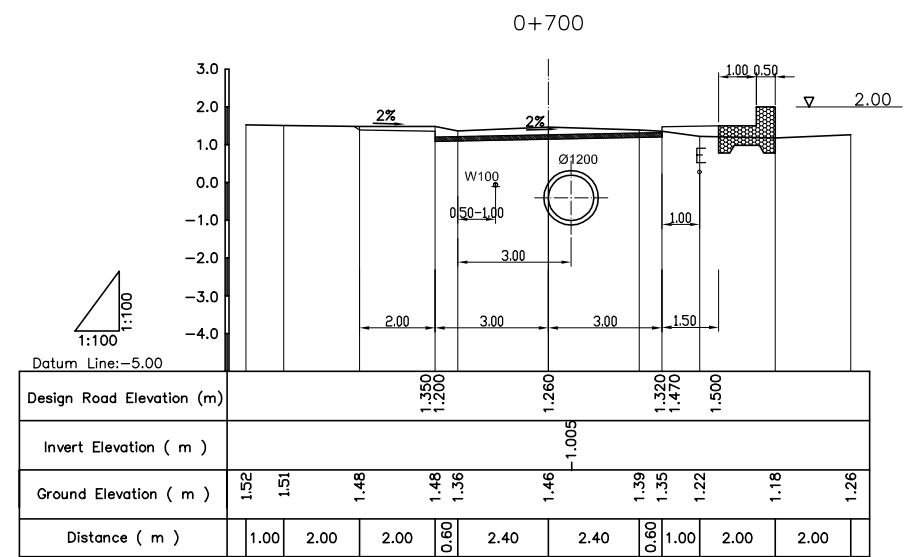
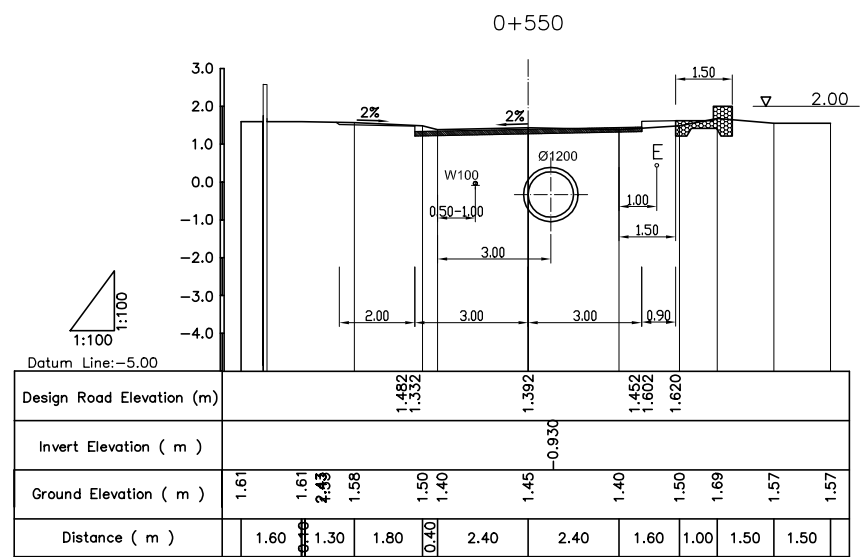
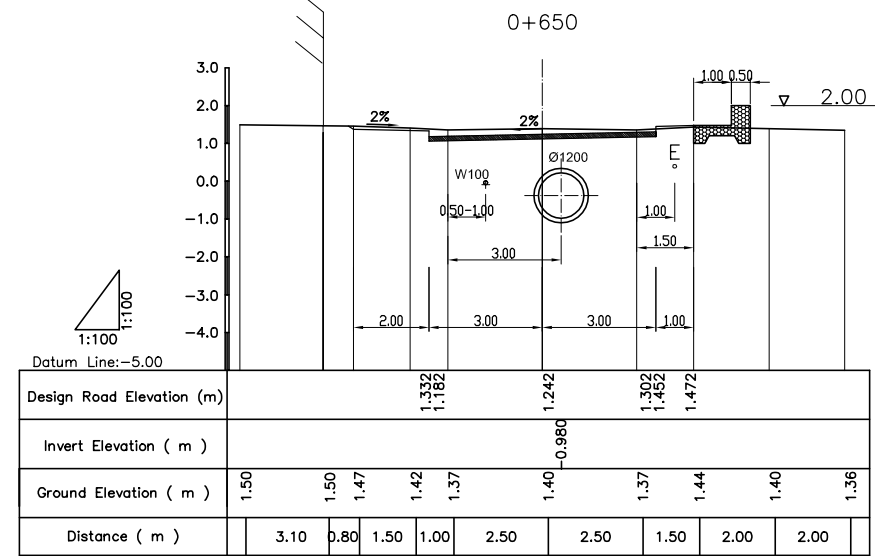
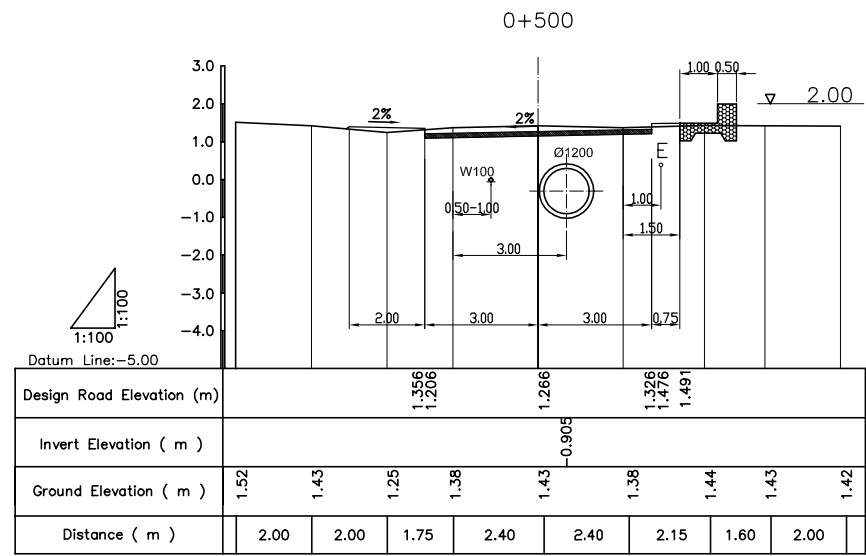
SCALE : 1:100

JICA JAPAN INTERNATIONAL COOPERATION AGENCY (JICA)

PACIFIC CONSULTANTS INTERNATIONAL

DESIGNED TOKUMASU TOSHIKI	CHECKED KONDO MASAMI
------------------------------	-------------------------

DATE : JUNE 2001 DWG. No. PB - PDI - BMC1-233



LEGEND

- Designed Road
- Designed Sewer pipe
- Existing Electric Cable
- Existing Water Supply Pipe
- Existing Telephone Cable

NO.	DATE	DESCRIPTIONS	BY	APRO.

REVISIONS

PROJECT MANAGEMENT UNIT FOR
HO CHI MINH CITY
WATER ENVIRONMENT IMPROVEMENT

THE DETAILED DESIGN STUDY ON HO CHI MINH CITY
WATER ENVIRONMENT IMPROVEMENT PROJECT
IN THE SOCIALIST REPUBLIC OF VIET NAM

PACKAGE B
PUMP DRAINAGE IMPROVEMENT
BEN ME COC(1) AREA

CROSS SECTION OF SEWER, ROAD
AND TEMPORARY DIKE (16)

BM1- W1 (0+500 - 0+750)

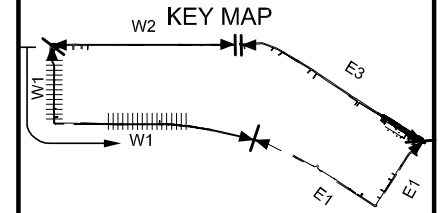
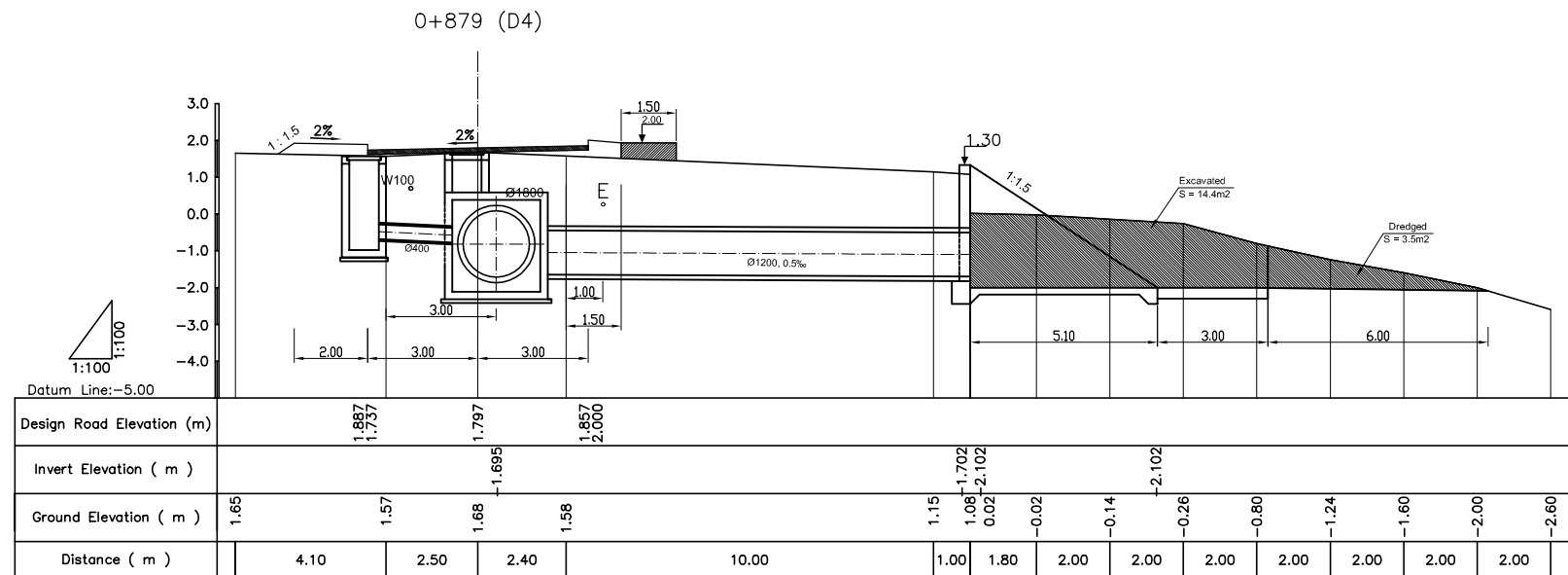
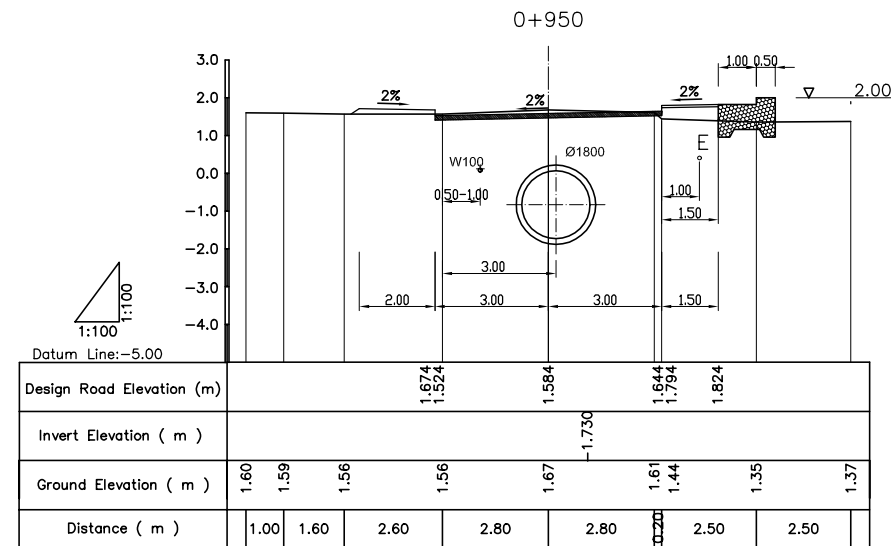
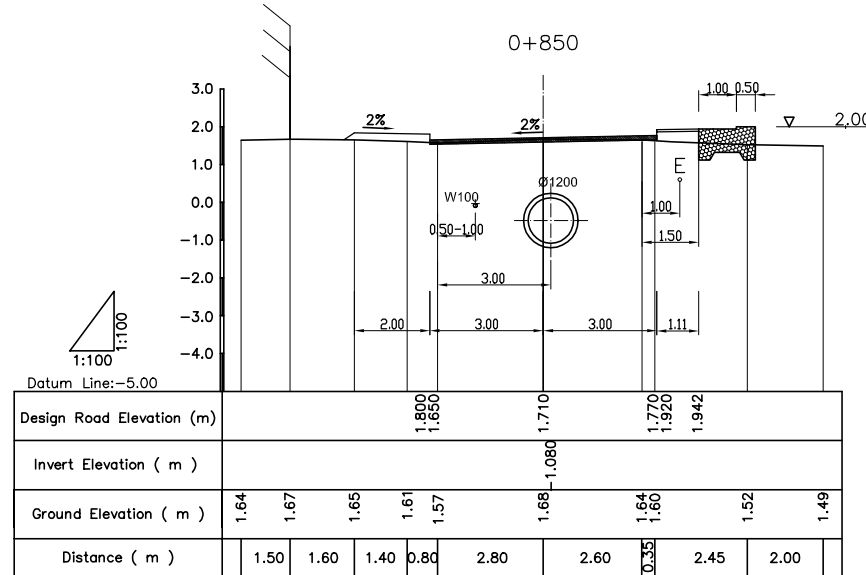
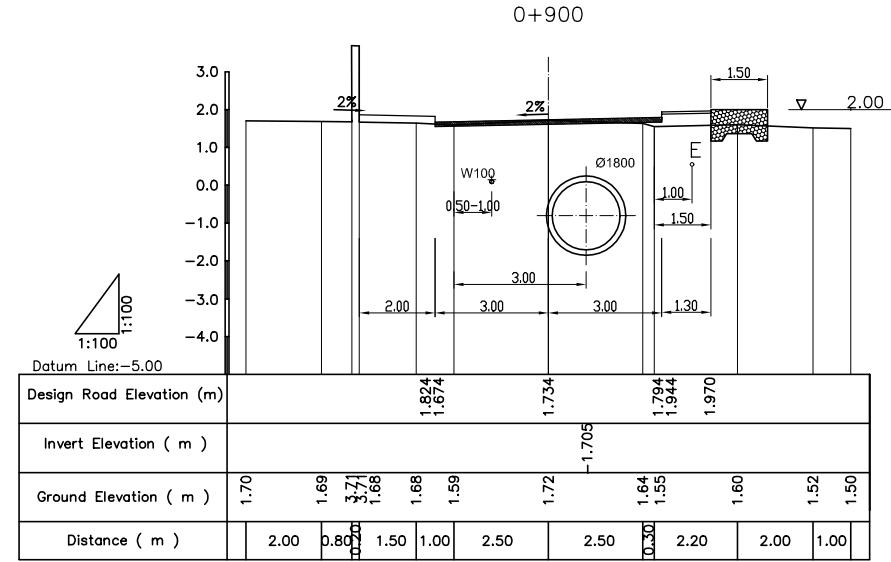
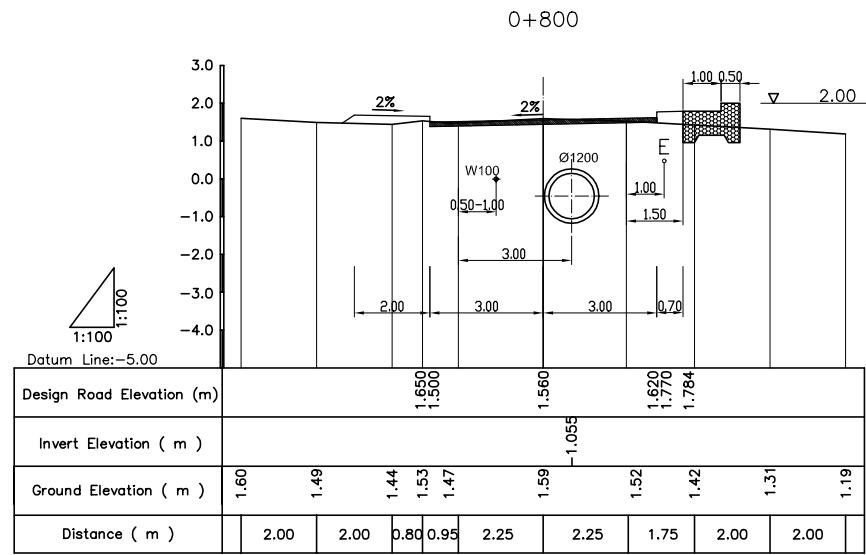
SCALE : 1:100

JICA JAPAN INTERNATIONAL COOPERATION AGENCY (JICA)

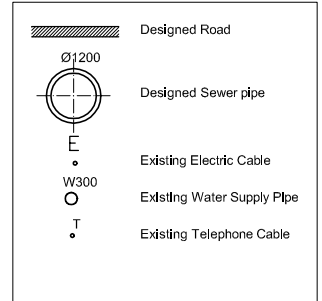
PACIFIC CONSULTANTS INTERNATIONAL

DESIGNED TOKUMASU TOSHIKI	CHECKED KONDO MASAMI
------------------------------	-------------------------

DATE : JUNE 2001 DWG. No. PB - PDI - BMC1-234



LEGEND



NO.	DATE	DESCRIPTIONS	BY	APRO.
-----	------	--------------	----	-------

REVISIONS

PROJECT MANAGEMENT UNIT FOR
HO CHI MINH CITY
WATER ENVIRONMENT IMPROVEMENT

THE DETAILED DESIGN STUDY ON HO CHI MINH CITY
WATER ENVIRONMENT IMPROVEMENT PROJECT
IN THE SOCIALIST REPUBLIC OF VIET NAM

PACKAGE B
PUMP DRAINAGE IMPROVEMENT
BEN ME COC(1) AREA

CROSS SECTION OF SEWER, ROAD
AND TEMPORARY DIKE (17)

BM1- W1 (0+800 - 0+950)

SCALE : 1:100

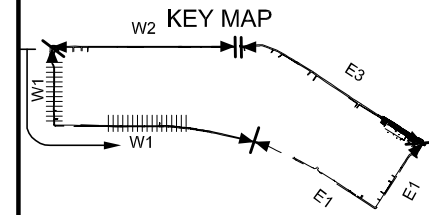
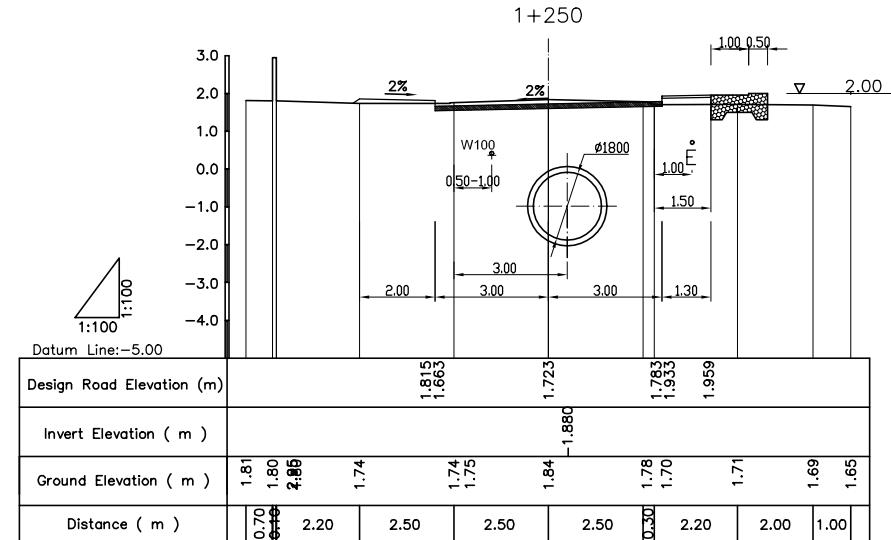
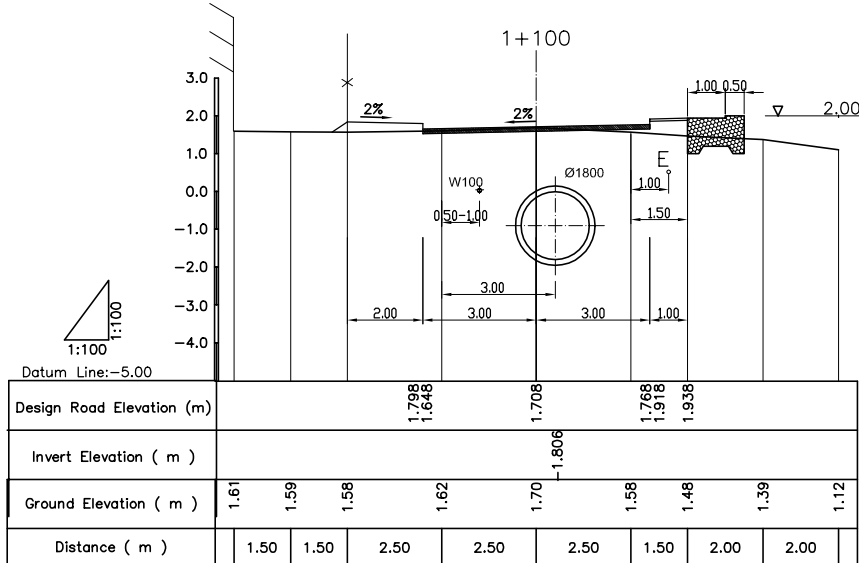
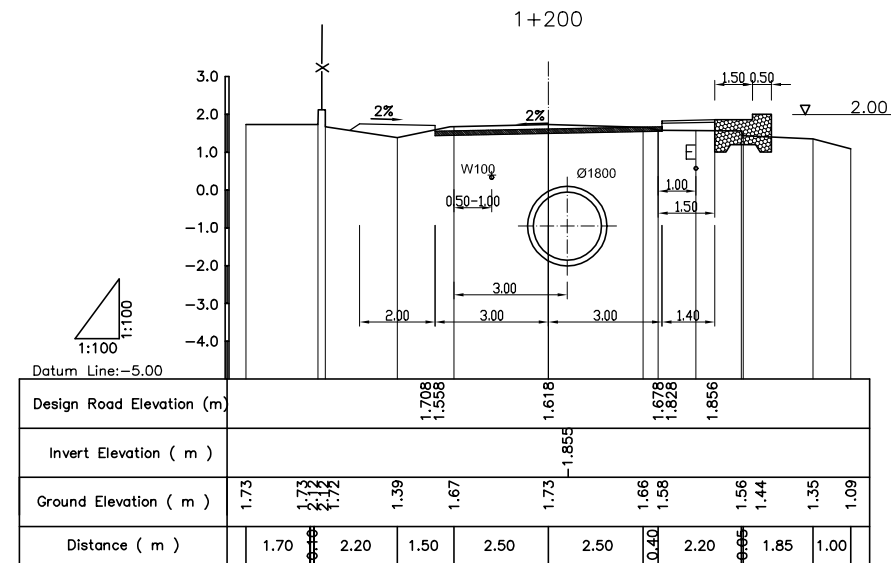
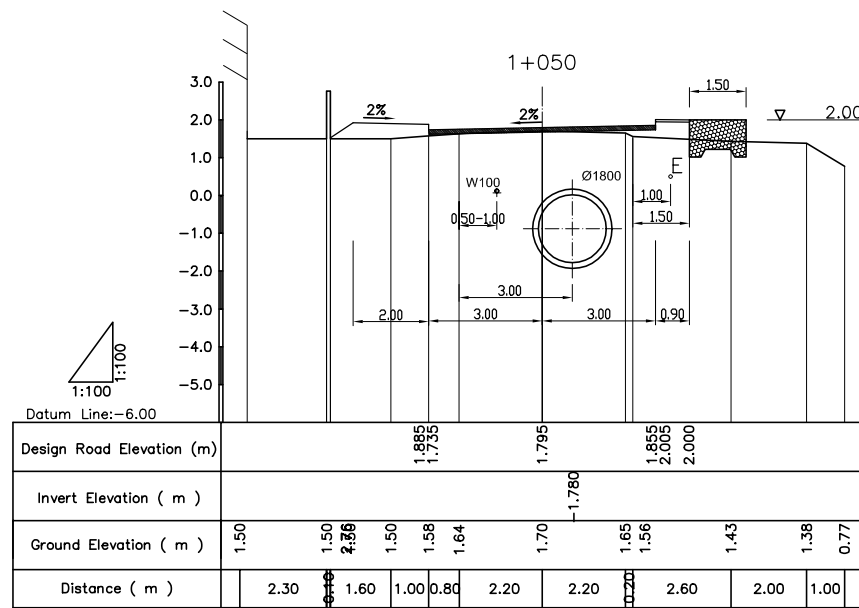
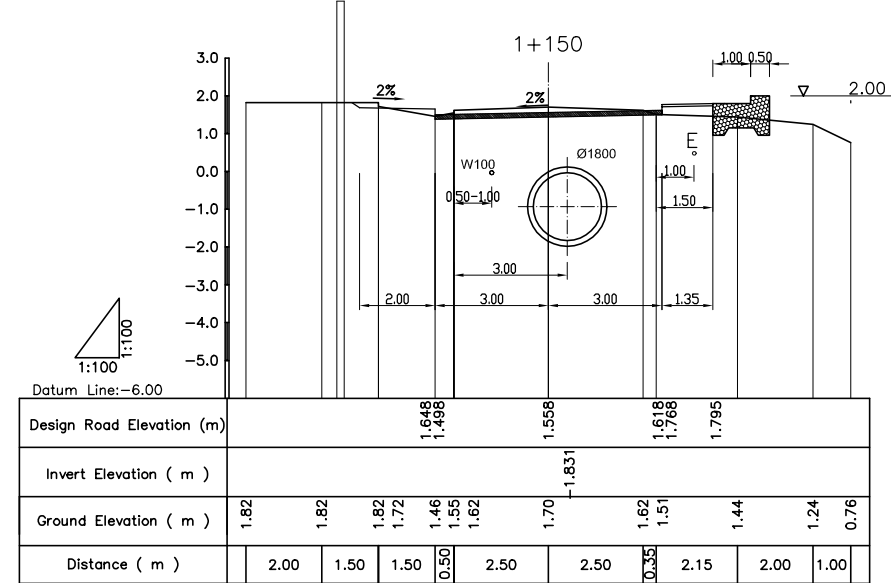
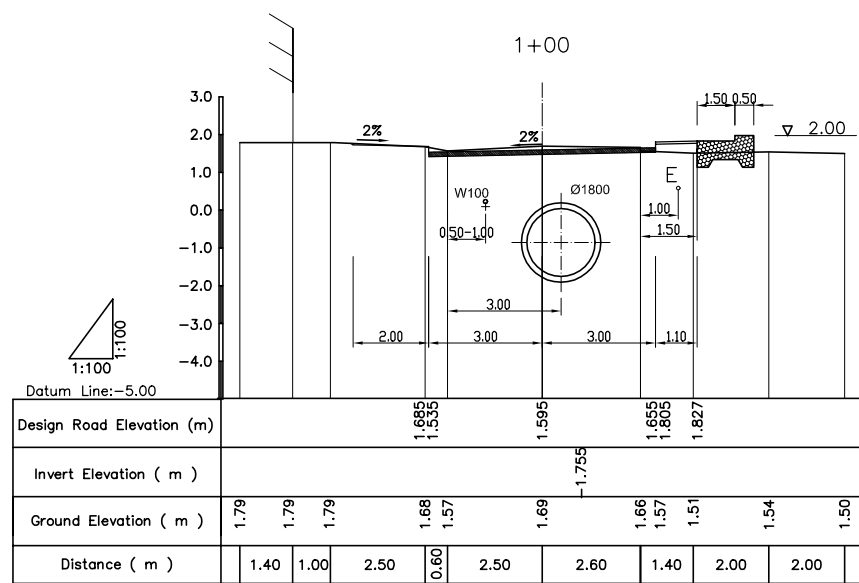
JICA JAPAN INTERNATIONAL COOPERATION
AGENCY (JICA)

PACIFIC CONSULTANTS INTERNATIONAL

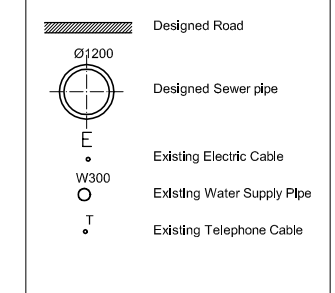
DESIGNED
TOKUMASU TOSHIKI

CHECKED
KONDO MASAMI

DATE : JUNE 2001 DWG. No. PB - PDI - BMC1-235



LEGEND



NO.	DATE	DESCRIPTIONS	BY	APRO.

REVISIONS

PROJECT MANAGEMENT UNIT FOR
HO CHI MINH CITY
WATER ENVIRONMENT IMPROVEMENT

THE DETAILED DESIGN STUDY ON HO CHI MINH CITY
WATER ENVIRONMENT IMPROVEMENT PROJECT
IN THE SOCIALIST REPUBLIC OF VIET NAM

PACKAGE B
PUMP DRAINAGE IMPROVEMENT
BEN ME COC(1) AREA
CROSS SECTION OF SEWER, ROAD
AND TEMPORARY DIKE (18)
BM1-W1 (1+00 - 1+250)

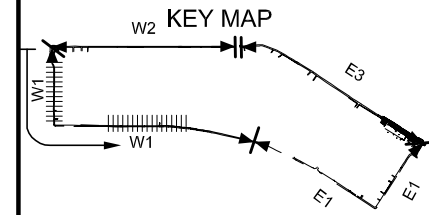
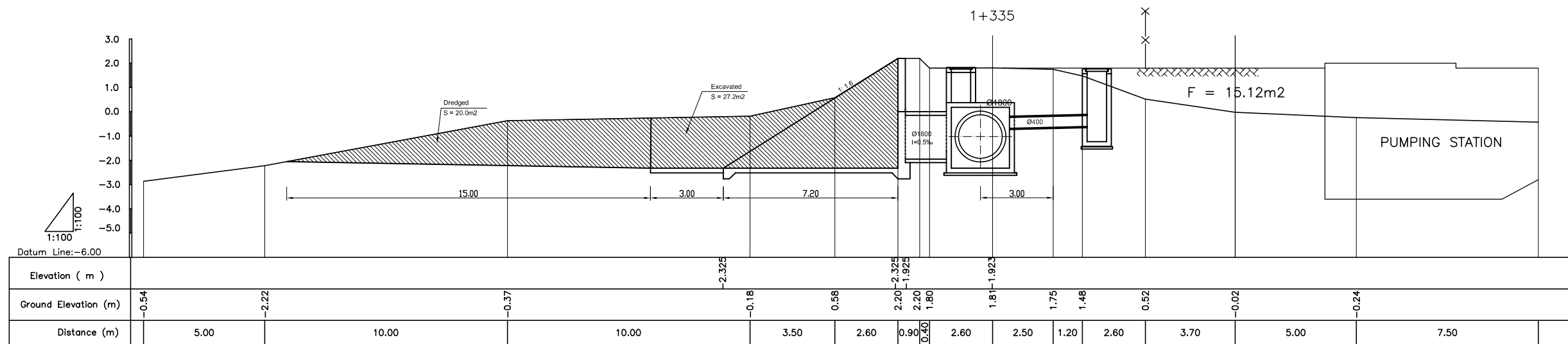
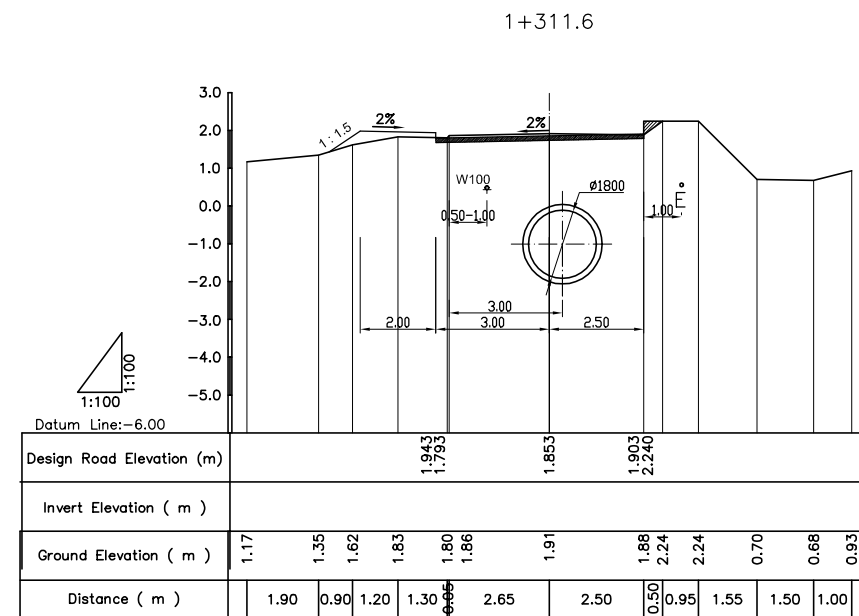
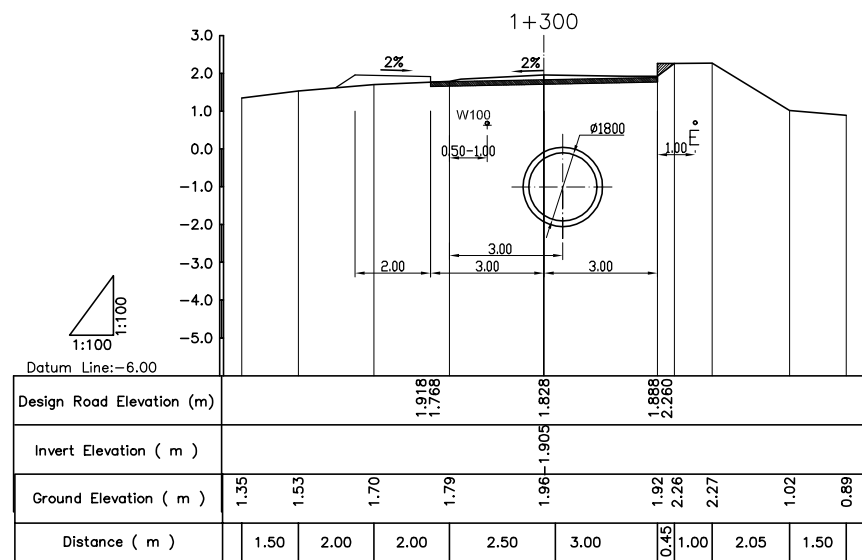
SCALE : 1:100

JICA JAPAN INTERNATIONAL COOPERATION
AGENCY (JICA)

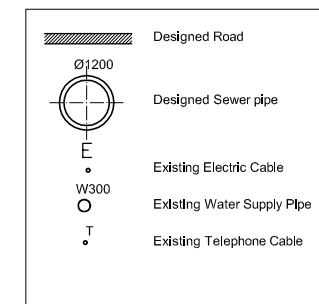
PACIFIC CONSULTANTS INTERNATIONAL

DESIGNED: TOKUMASU TOSHIKI
CHECKED: KONDO MASAMI

DATE: JUNE 2001 DWG. No. PB - PDI - BMC1-236



LEGEND



NO.	DATE	DESCRIPTIONS	BY	APRO.
-----	------	--------------	----	-------

REVISIONS

PROJECT MANAGEMENT UNIT FOR
HO CHI MINH CITY
WATER ENVIRONMENT IMPROVEMENT

THE DETAILED DESIGN STUDY ON HO CHI MINH CITY
WATER ENVIRONMENT IMPROVEMENT PROJECT
IN THE SOCIALIST REPUBLIC OF VIET NAM

PACKAGE B
PUMP DRAINAGE IMPROVEMENT
BEN ME COC(1) AREA

CROSS SECTION OF SEWER, ROAD
AND TEMPORARY DIKE (19)

BM1- W1 (1+289 - 1+335)

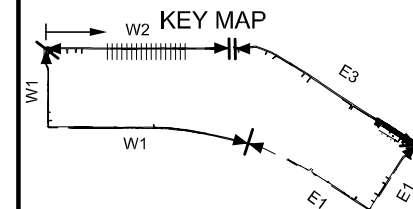
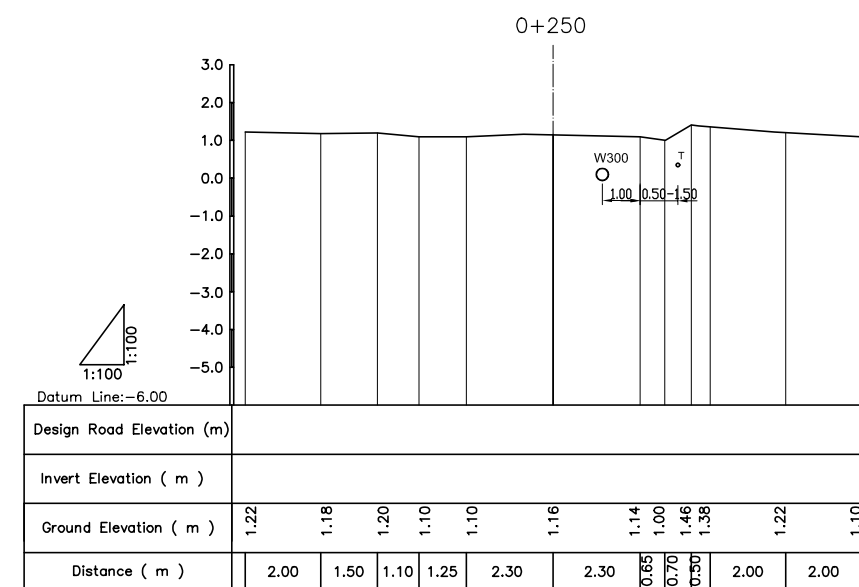
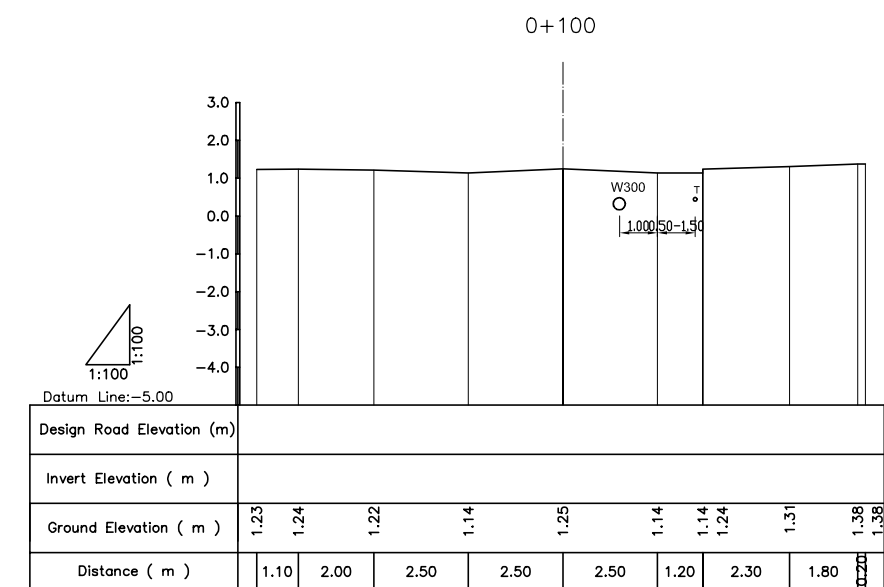
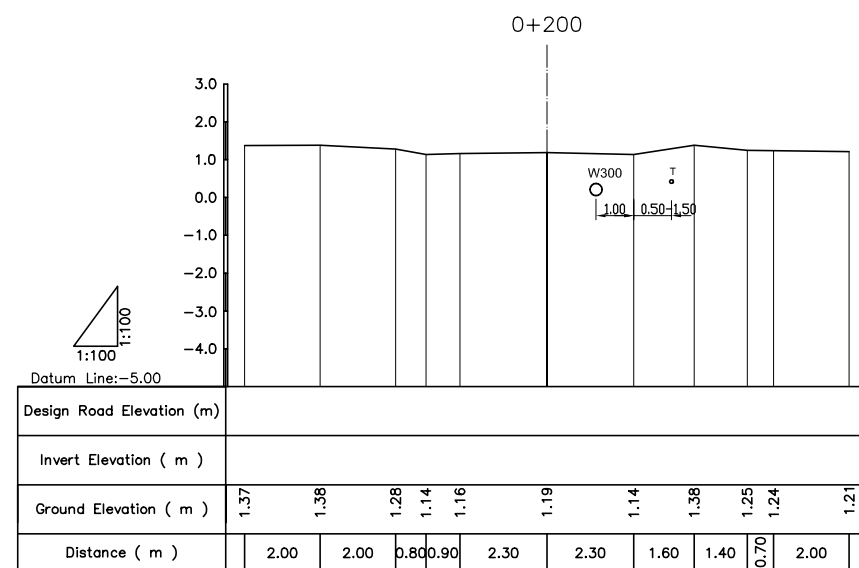
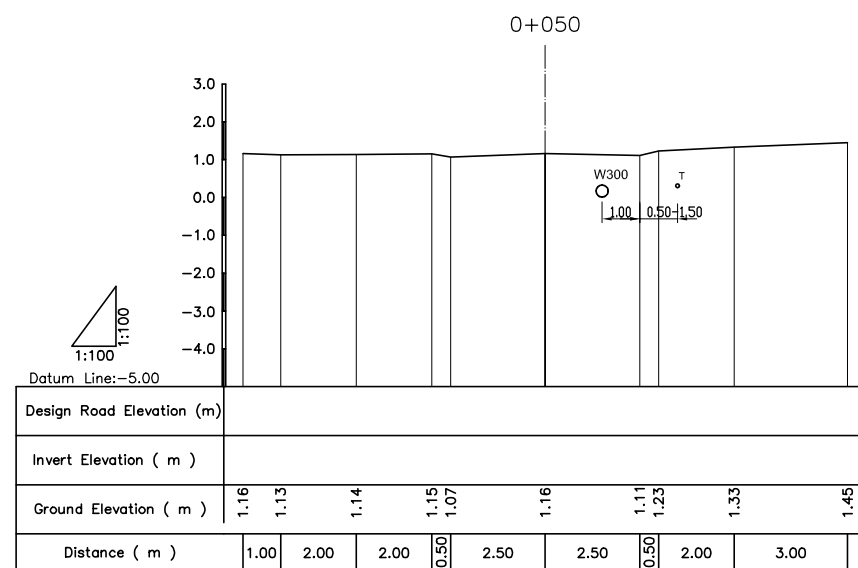
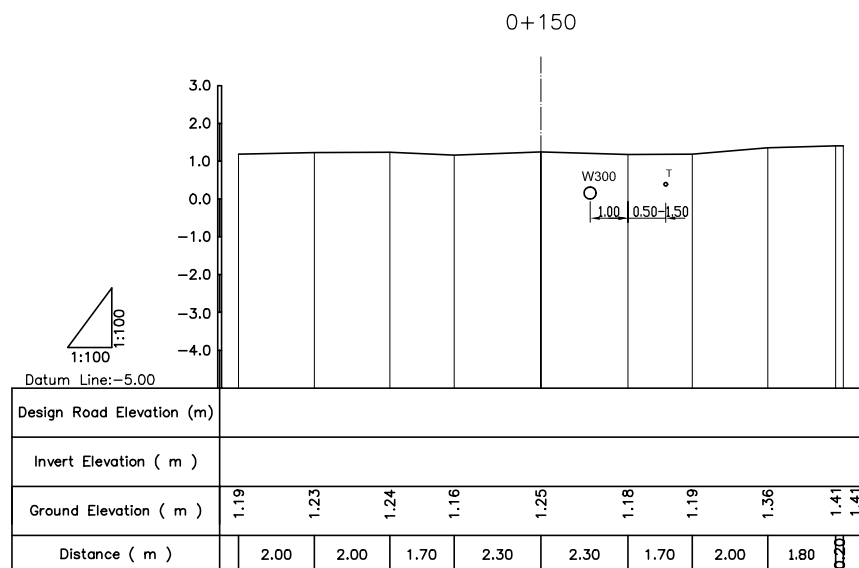
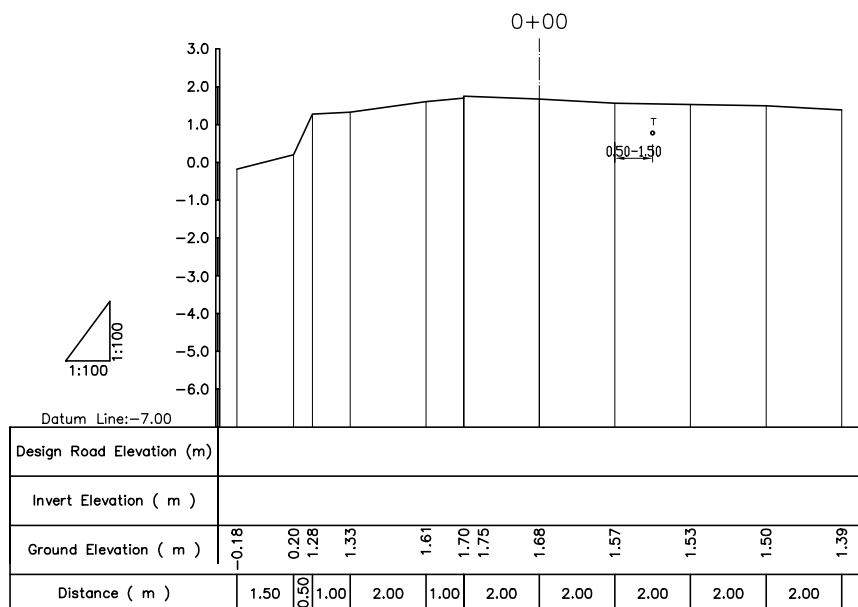
SCALE : 1:100

JICA JAPAN INTERNATIONAL COOPERATION
AGENCY (JICA)

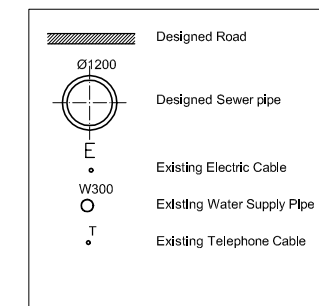
PACIFIC CONSULTANTS INTERNATIONAL

DESIGNED TOKUMASU TOSHIKI	CHECKED KONDO MASAMI
------------------------------	-------------------------

DATE : JUNE 2001 DWG. No. PB - PDI - BMC1-237



LEGEND



NO.	DATE	DESCRIPTIONS	BY	APRO.
-----	------	--------------	----	-------

REVISIONS

PROJECT MANAGEMENT UNIT FOR
HO CHI MINH CITY
WATER ENVIRONMENT IMPROVEMENT

THE DETAILED DESIGN STUDY ON HO CHI MINH CITY
WATER ENVIRONMENT IMPROVEMENT PROJECT
IN THE SOCIALIST REPUBLIC OF VIET NAM

PACKAGE B
PUMP DRAINAGE IMPROVEMENT
BEN ME COC(1) AREA

CROSS SECTION OF SEWER, ROAD
AND TEMPORARY DIKE (20)

BM1- W2 (0+00 - 0+250)

SCALE : 1:100

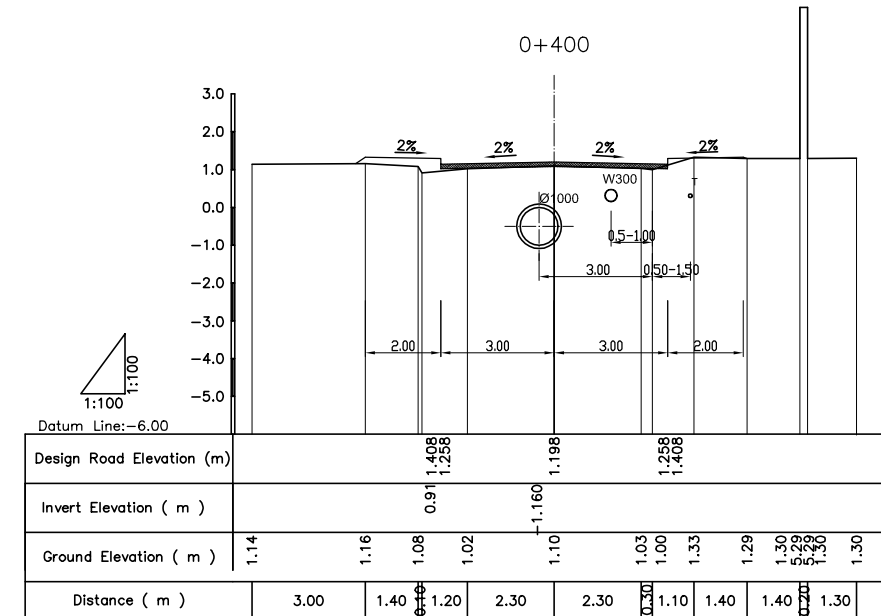
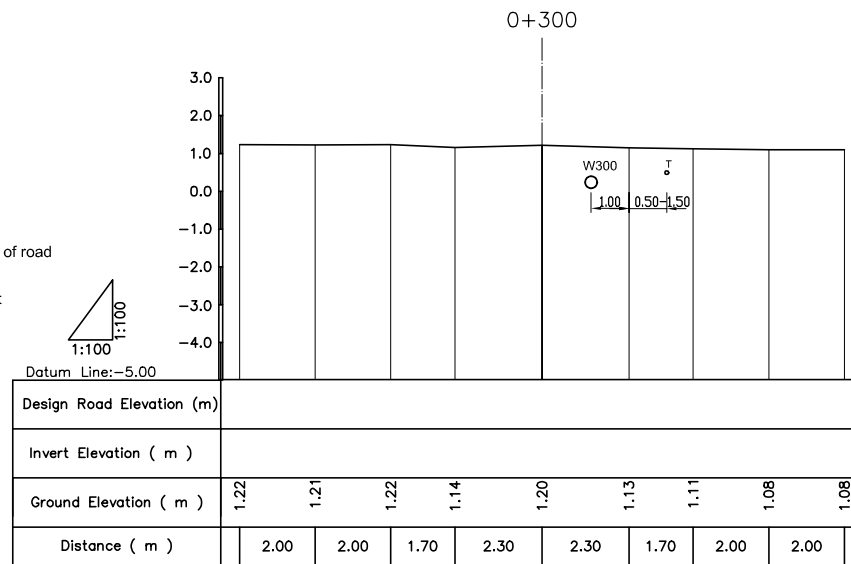
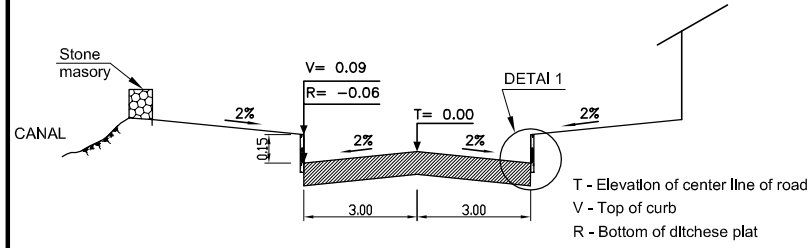
JICA JAPAN INTERNATIONAL COOPERATION
AGENCY (JICA)

PACIFIC CONSULTANTS INTERNATIONAL

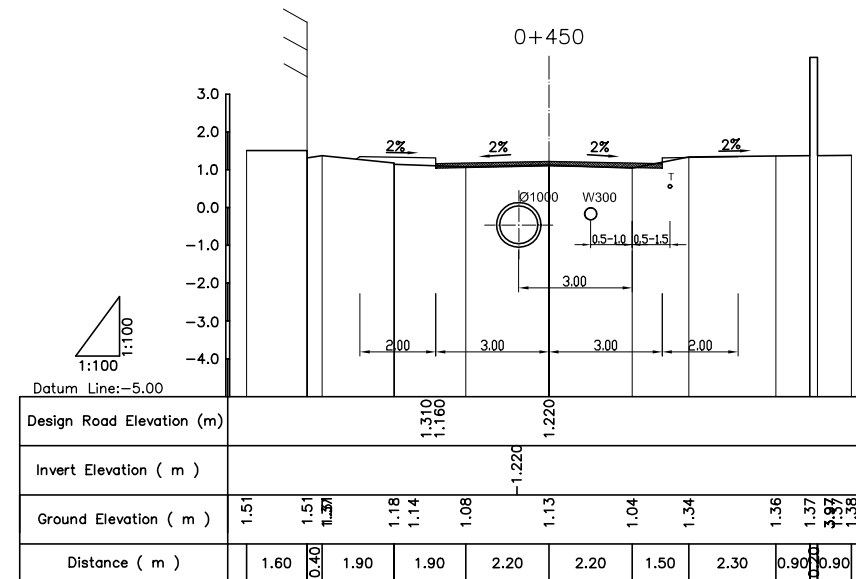
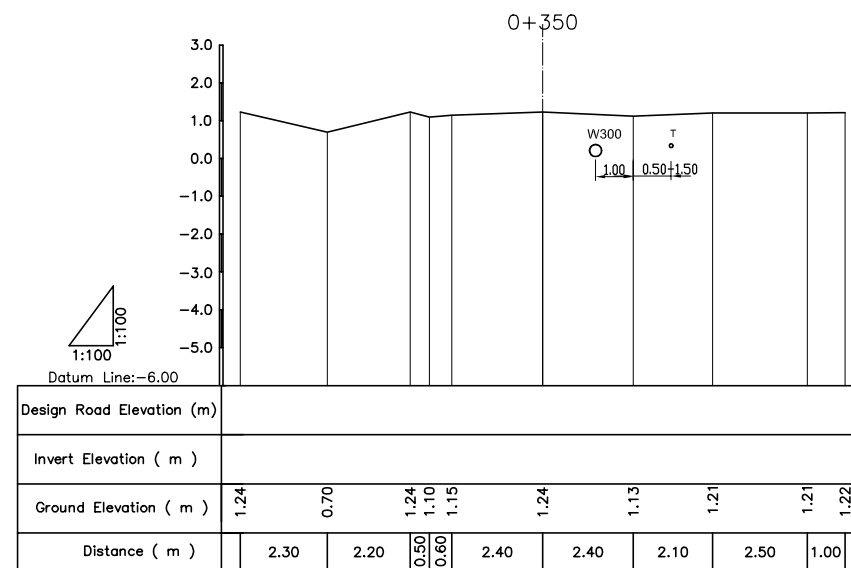
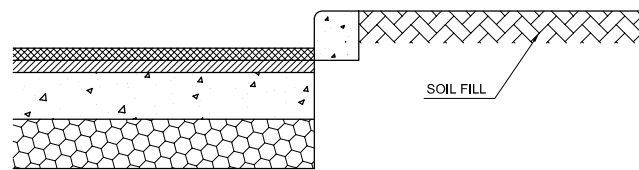
DESIGNED TOKUMASU TOSHIKI	CHECKED KONDO MASAMI
------------------------------	-------------------------

DATE : JUNE 2001 DWG. No. PB - PDI - BMC1-238

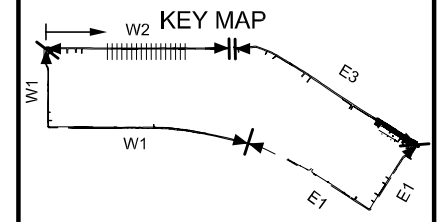
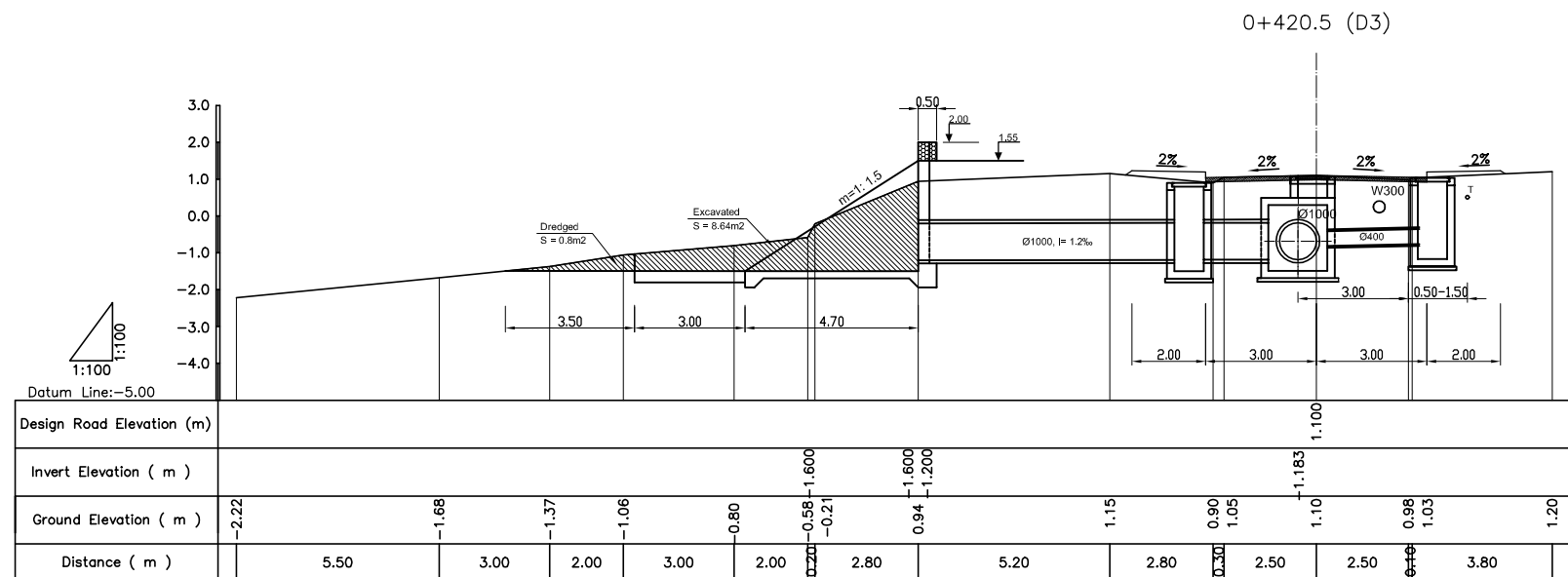
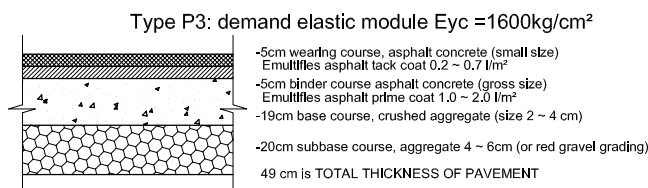
TYPICAL CROSS SECTION OF ROAD:



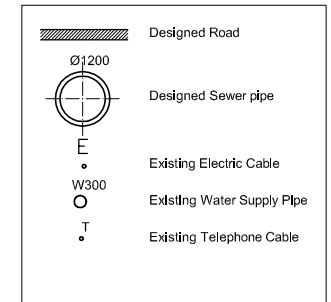
DETAIL 1:



TYPICAL ROAD SURFACE:



LEGEND



NO.	DATE	DESCRIPTIONS	BY	APRO.
-----	------	--------------	----	-------

REVISIONS

PROJECT MANAGEMENT UNIT FOR
HO CHI MINH CITY
WATER ENVIRONMENT IMPROVEMENT

THE DETAILED DESIGN STUDY ON HO CHI MINH CITY
WATER ENVIRONMENT IMPROVEMENT PROJECT
IN THE SOCIALIST REPUBLIC OF VIET NAM

PACKAGE B
PUMP DRAINAGE IMPROVEMENT
BEN ME COC(1) AREA

CROSS SECTION OF SEWER, ROAD
AND TEMPORARY DIKE (21)

BM1- W2 (0+300 - 0+450)

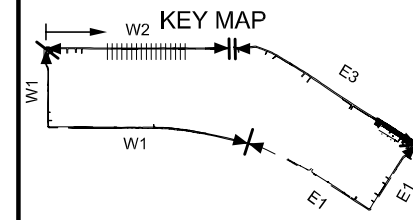
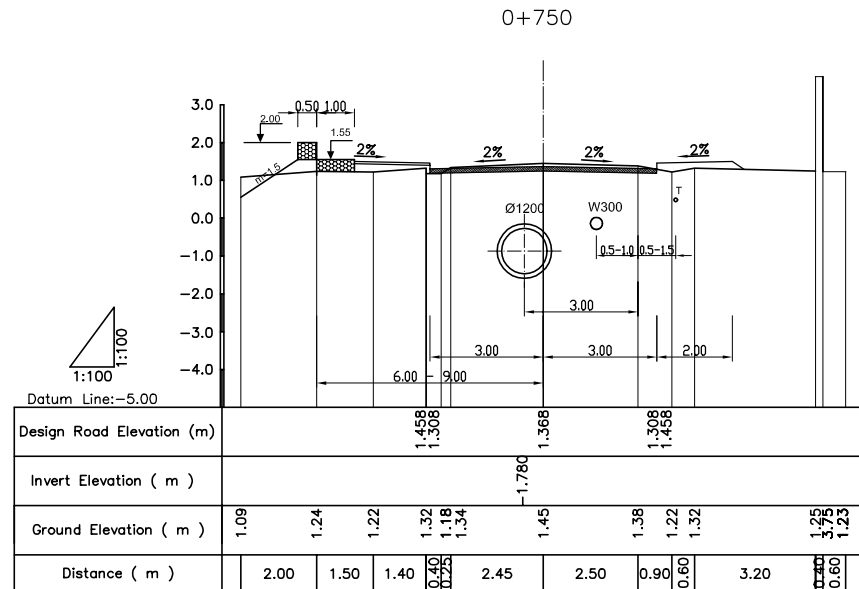
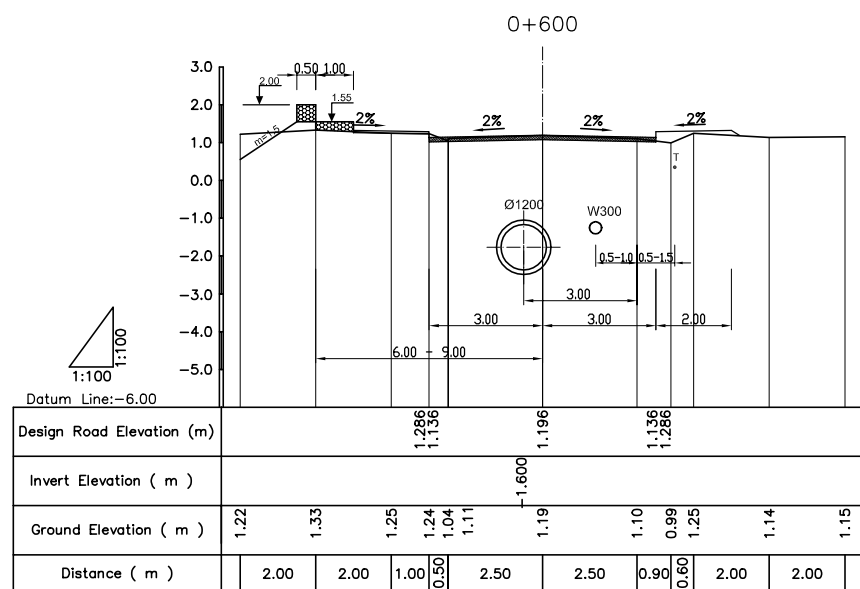
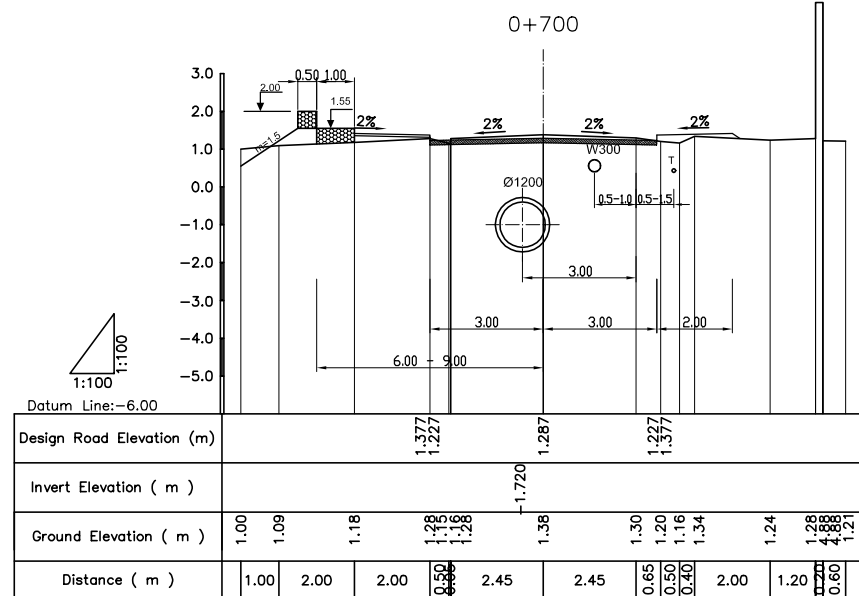
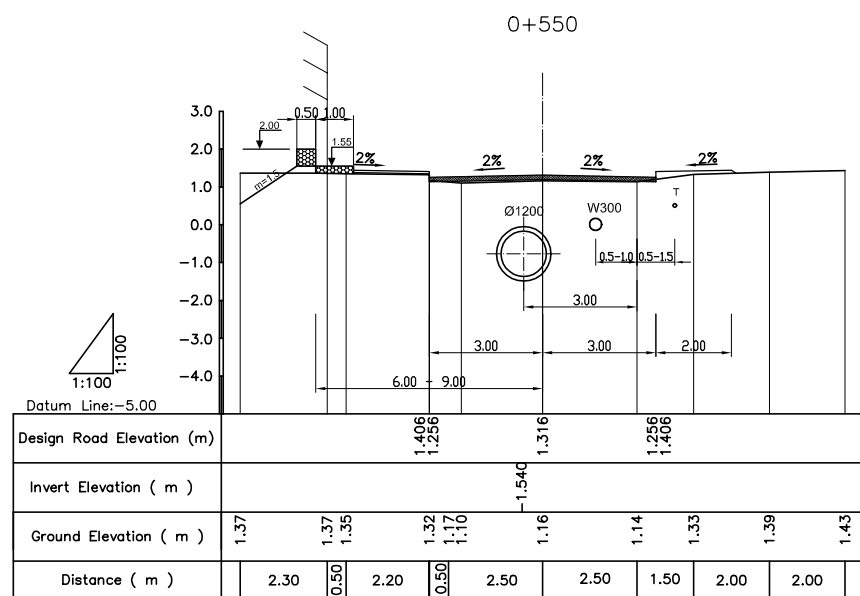
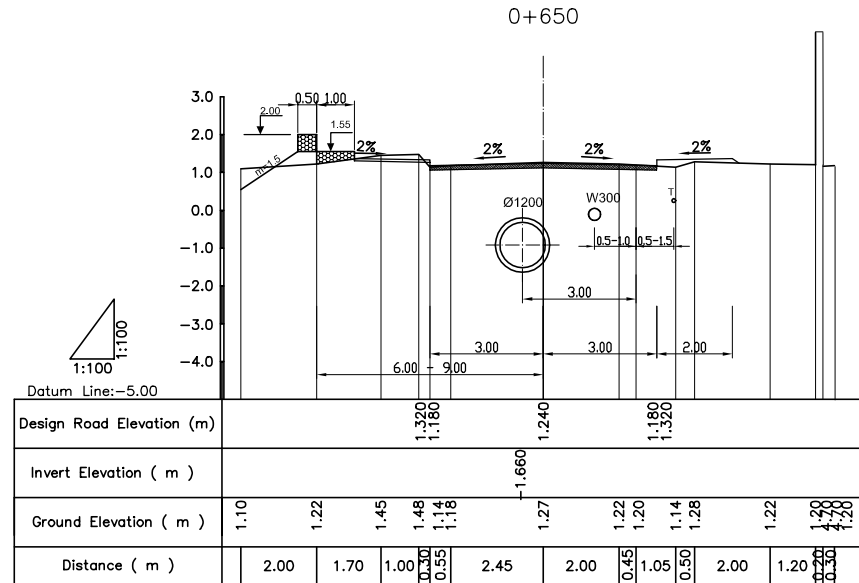
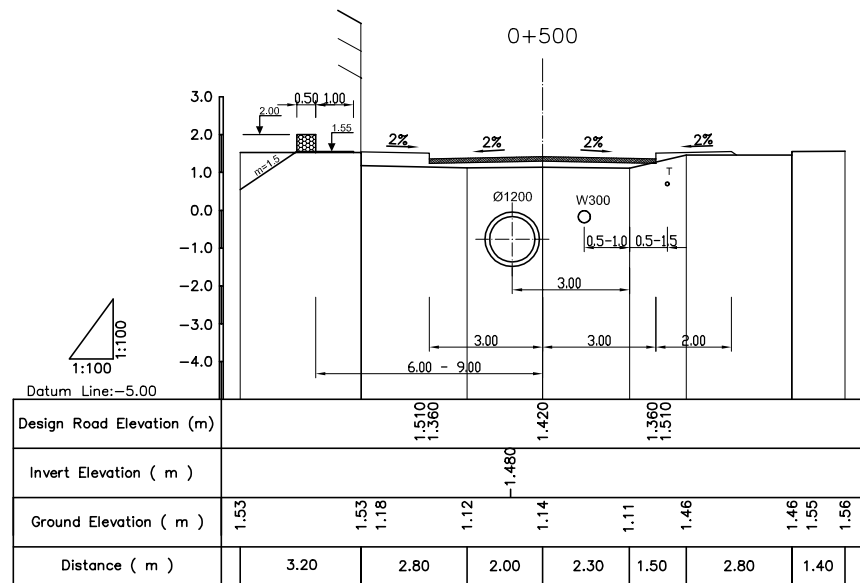
SCALE : 1:100

JICA JAPAN INTERNATIONAL COOPERATION
AGENCY (JICA)

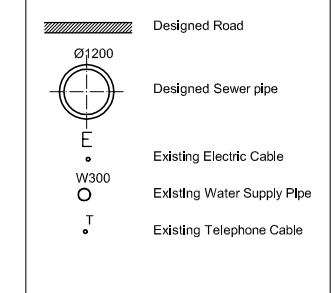
PACIFIC CONSULTANTS INTERNATIONAL

DESIGNED: TOKUMASU TOSHIKI
CHECKED: KONDO MASAMI

DATE : JUNE 2001 DWG. No. PB - PDI - BMC1-239



LEGEND



NO.	DATE	DESCRIPTIONS	BY	APRO.
-----	------	--------------	----	-------

REVISIONS

PROJECT MANAGEMENT UNIT FOR
HO CHI MINH CITY
WATER ENVIRONMENT IMPROVEMENT

THE DETAILED DESIGN STUDY ON HO CHI MINH CITY
WATER ENVIRONMENT IMPROVEMENT PROJECT
IN THE SOCIALIST REPUBLIC OF VIET NAM

PACKAGE B
PUMP DRAINAGE IMPROVEMENT
BEN ME COC(1) AREA

CROSS SECTION OF SEWER, ROAD
AND TEMPORARY DIKE (22)

BM1- W2 (0+500 - 0+750)

SCALE : 1:100

JICA JAPAN INTERNATIONAL COOPERATION AGENCY (JICA)

PACIFIC CONSULTANTS INTERNATIONAL

DESIGNED: TOKUMASU TOSHIKI
CHECKED: KONDO MASAMI

DATE: JUNE 2001 DWG. No. PB - PDI - BMC1-240