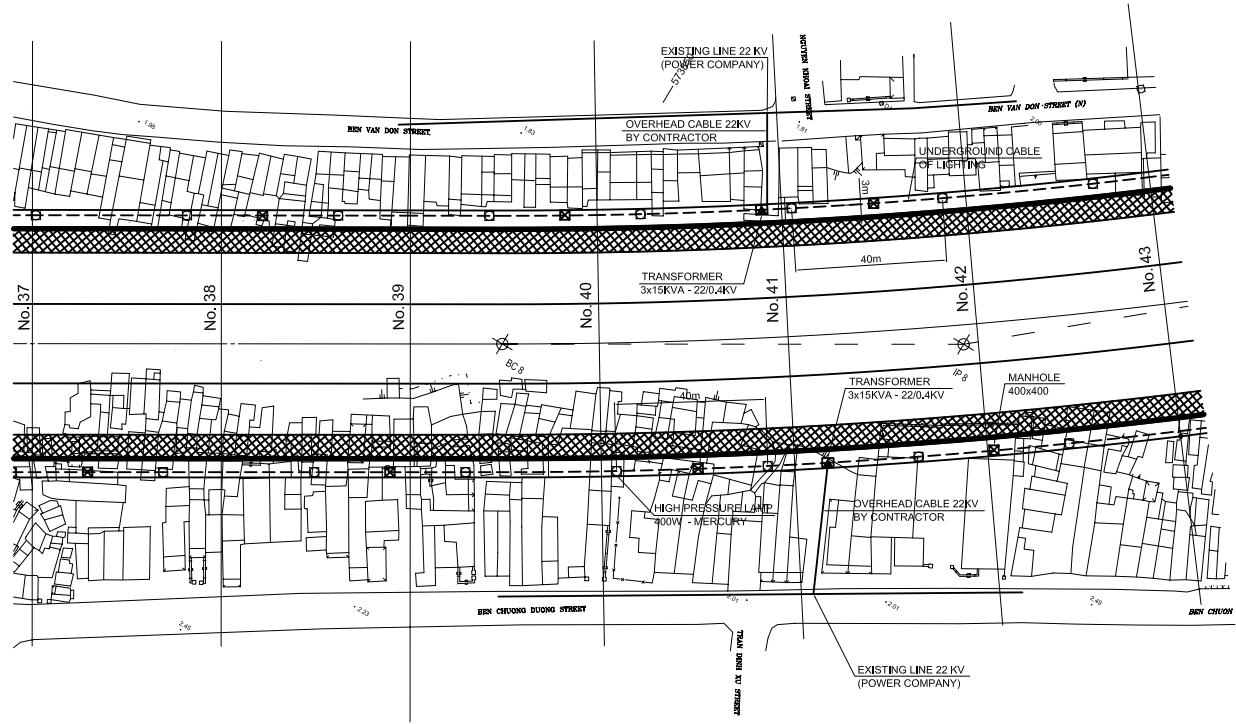
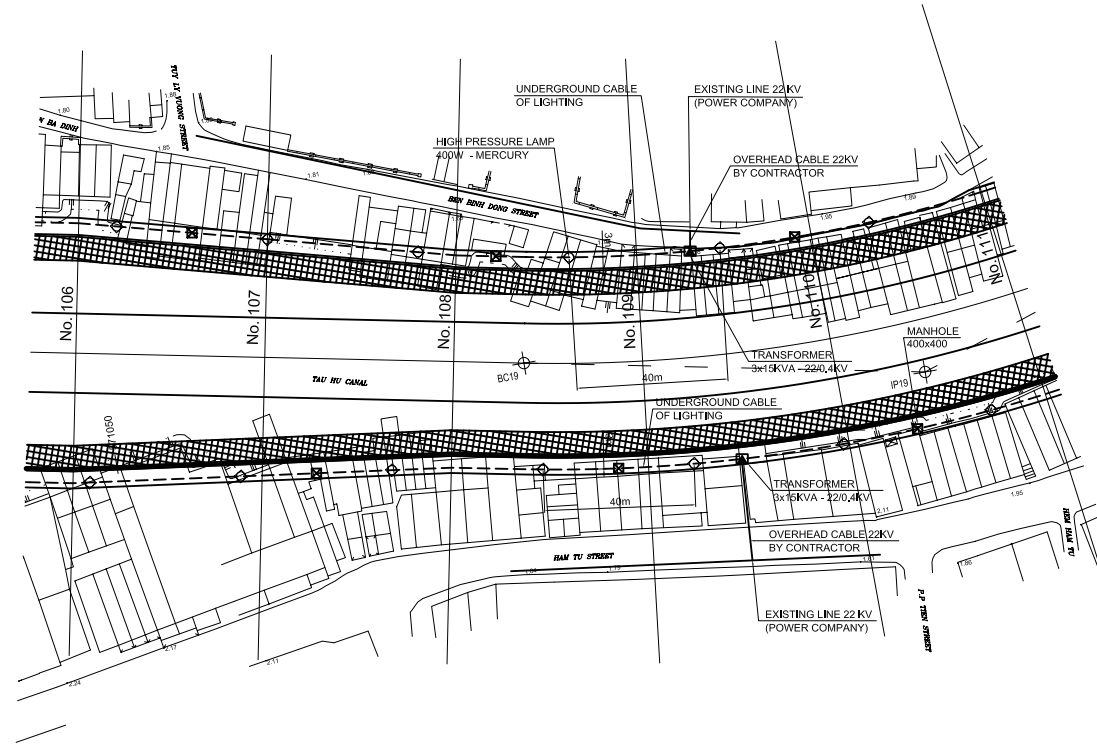


MECHNICAL WORKS

BEN NGHE CANAL

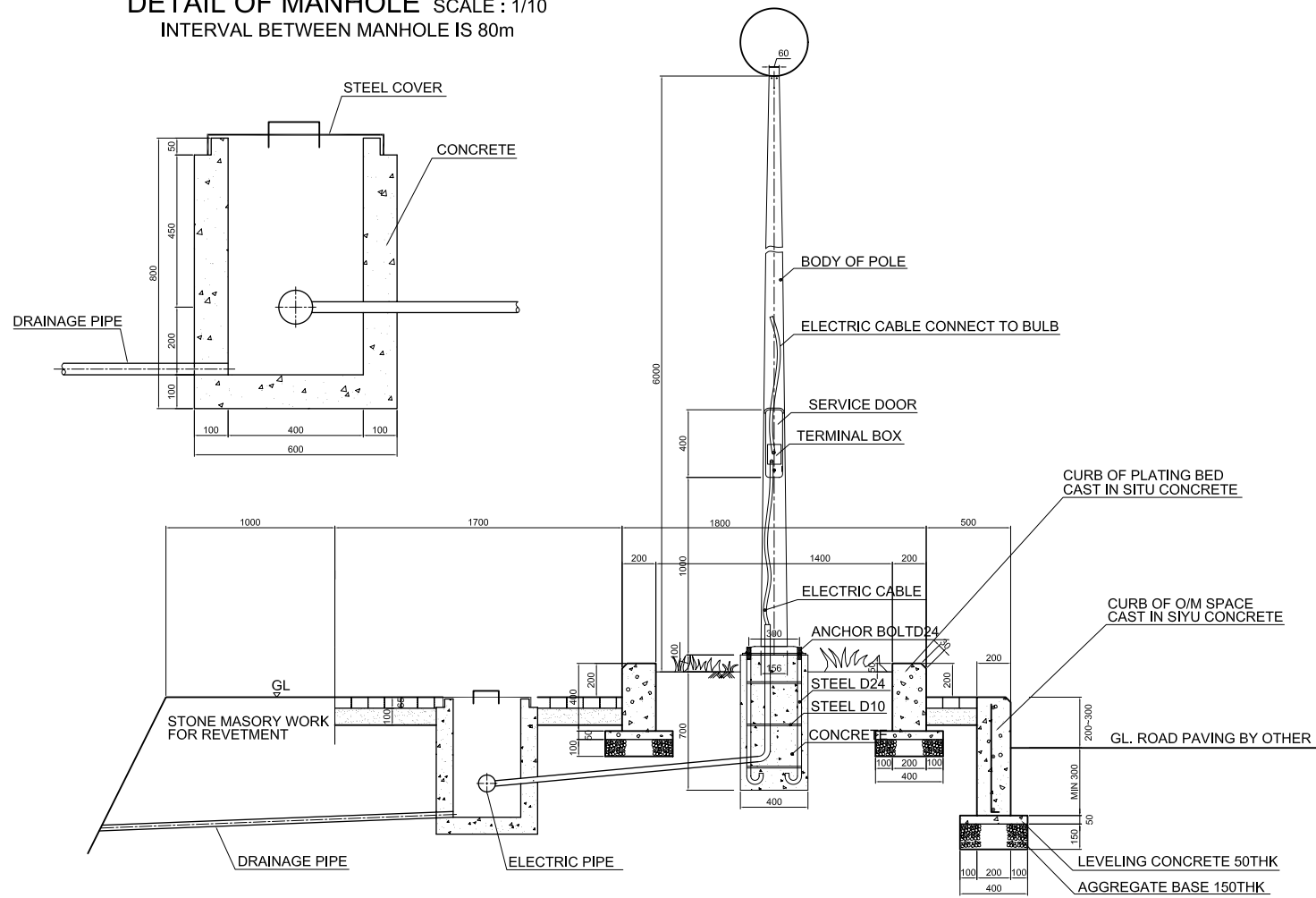


TAU HU CANAL

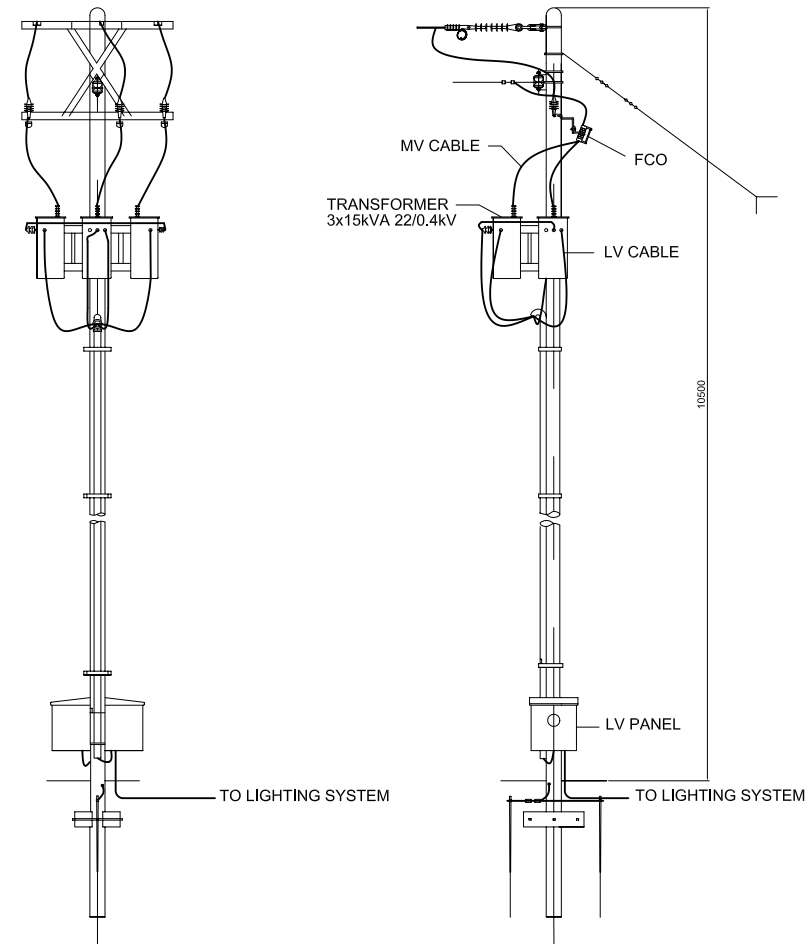


SECTION SCALE : 1/20

DETAIL OF MANHOLE SCALE : 1/10
INTERVAL BETWEEN MANHOLE IS 80m



ELECTRIC POLE AND TRANSFORMER



NO.	DATE	DESCRIPTIONS	BY	APRO.
REVISIONS				

PROJECT MANAGEMENT UNIT FOR
HO CHI MINH CITY
WATER ENVIRONMENT IMPROVEMENT

THE DETAILED DESIGN ON HO CHI MINH CITY
WATER ENVIRONMENT IMPROVEMENT PROJECT
IN THE SOCIALIST REPUBLIC OF VIET NAM

PACKAGE A
TAU HU - BEN NGHE CANAL IMPROVEMENT

LAYOUT OF O/M SPACE LIGHTING

SCALE : AS SHOWN

JICA JAPAN INTERNATIONAL COOPERATION
AGENCY (JICA)

PACIFIC CONSULTANTS INTERNATIONAL

DESIGNED
KOMIYA NOBUO

CHECKED
KONDO MASAMI

DATE : JUNE 2001 DWG. No. PA - THBNCI - 267