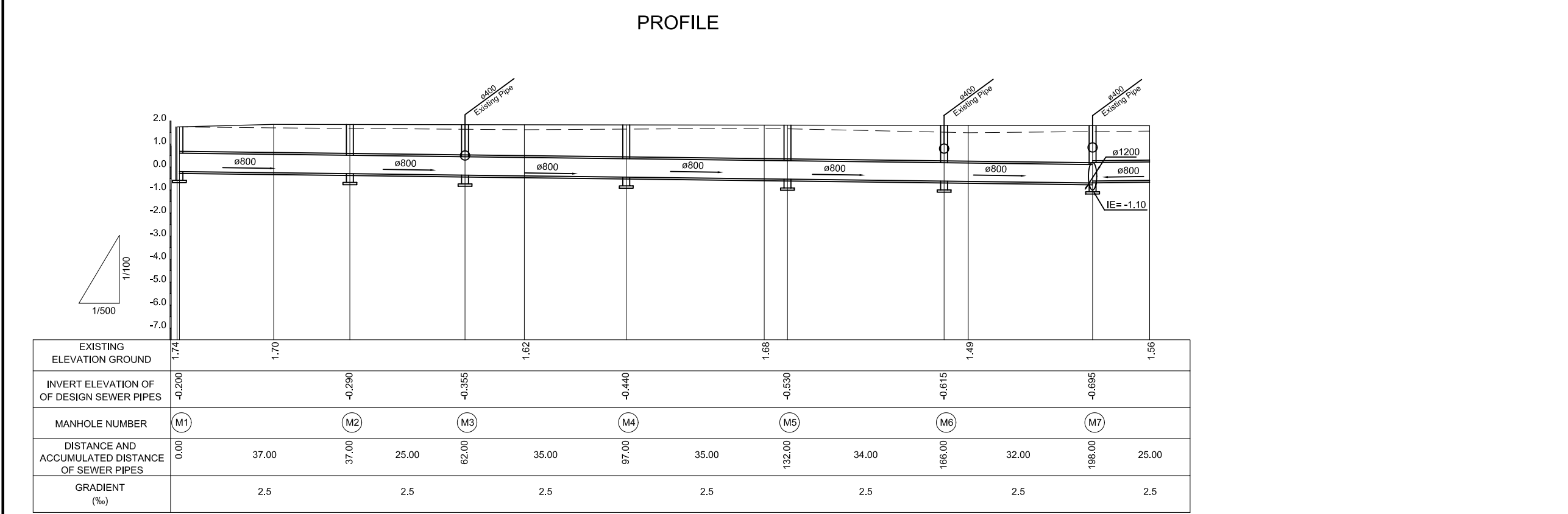


LOCATION MAP
Scale 1 : 65,000

- LEGEND**
- Inlet
 - Manhole and Pipe
 - ⊕ Electric Post
 - Water Supply



NO.	DATE	DESCRIPTIONS	BY	APPRO.

REVISIONS

PROJECT MANAGEMENT UNIT FOR
HO CHI MINH CITY
WATER ENVIRONMENT IMPROVEMENT

THE DETAILED DESIGN ON HO CHI MINH CITY
WATER ENVIRONMENT IMPROVEMENT PROJECT
IN THE SOCIALIST REPUBLIC OF VIET NAM

PACKAGE A
TAU HU - BEN NGHE CANAL IMPROVEMENT

**PLAN AND PROFILE OF
NEW CONNECTION ROAD, SEWER
AND OTHER UTILITIES SERVICES (1)**

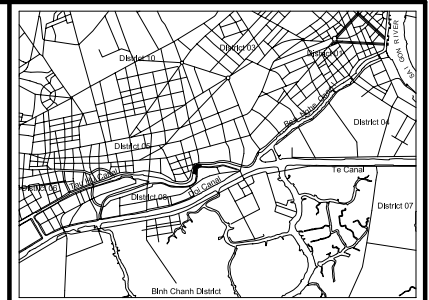
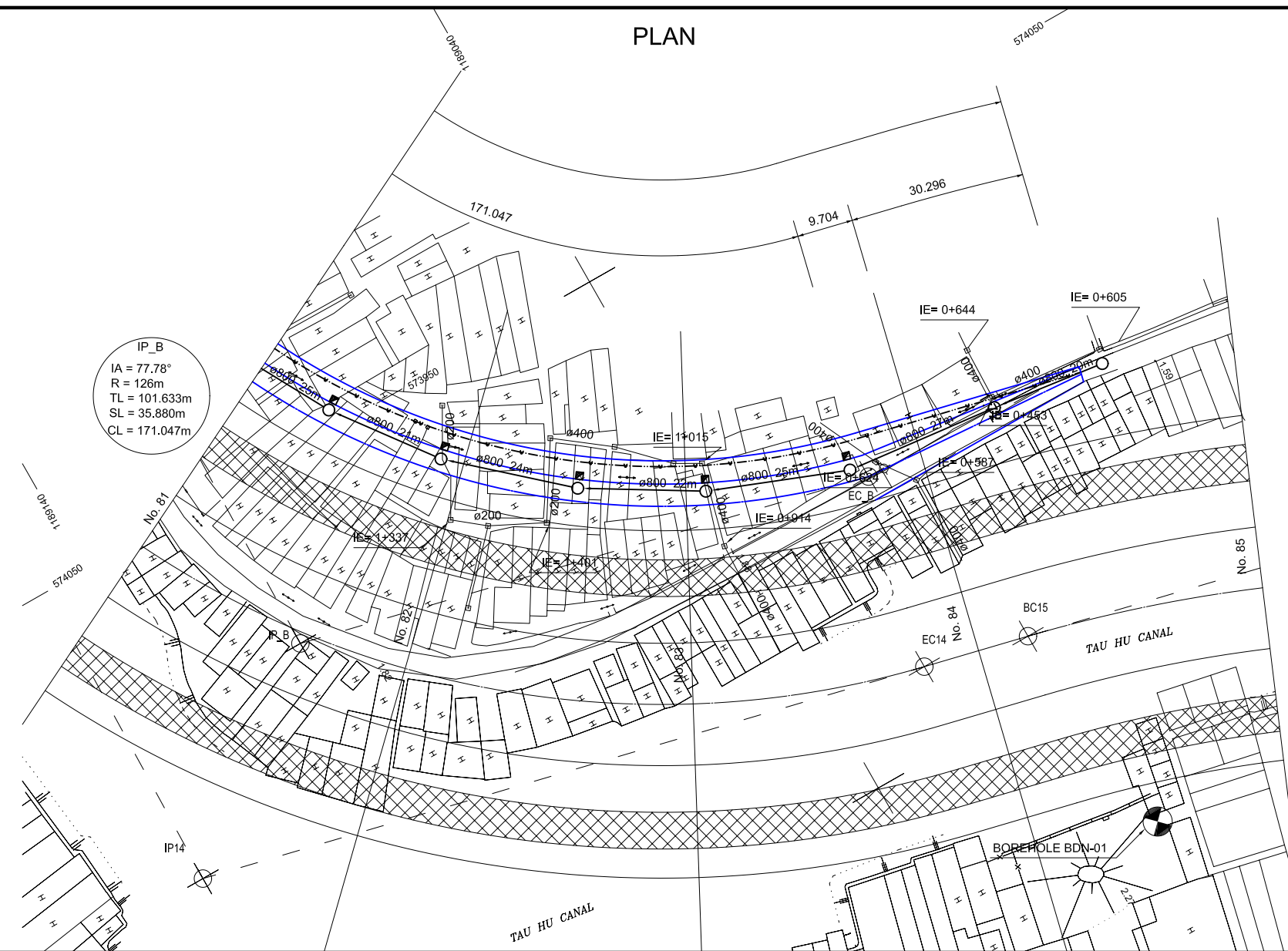
SCALE : 1 : 500

JAPAN INTERNATIONAL COOPERATION AGENCY (JICA)

PACIFIC CONSULTANTS INTERNATIONAL

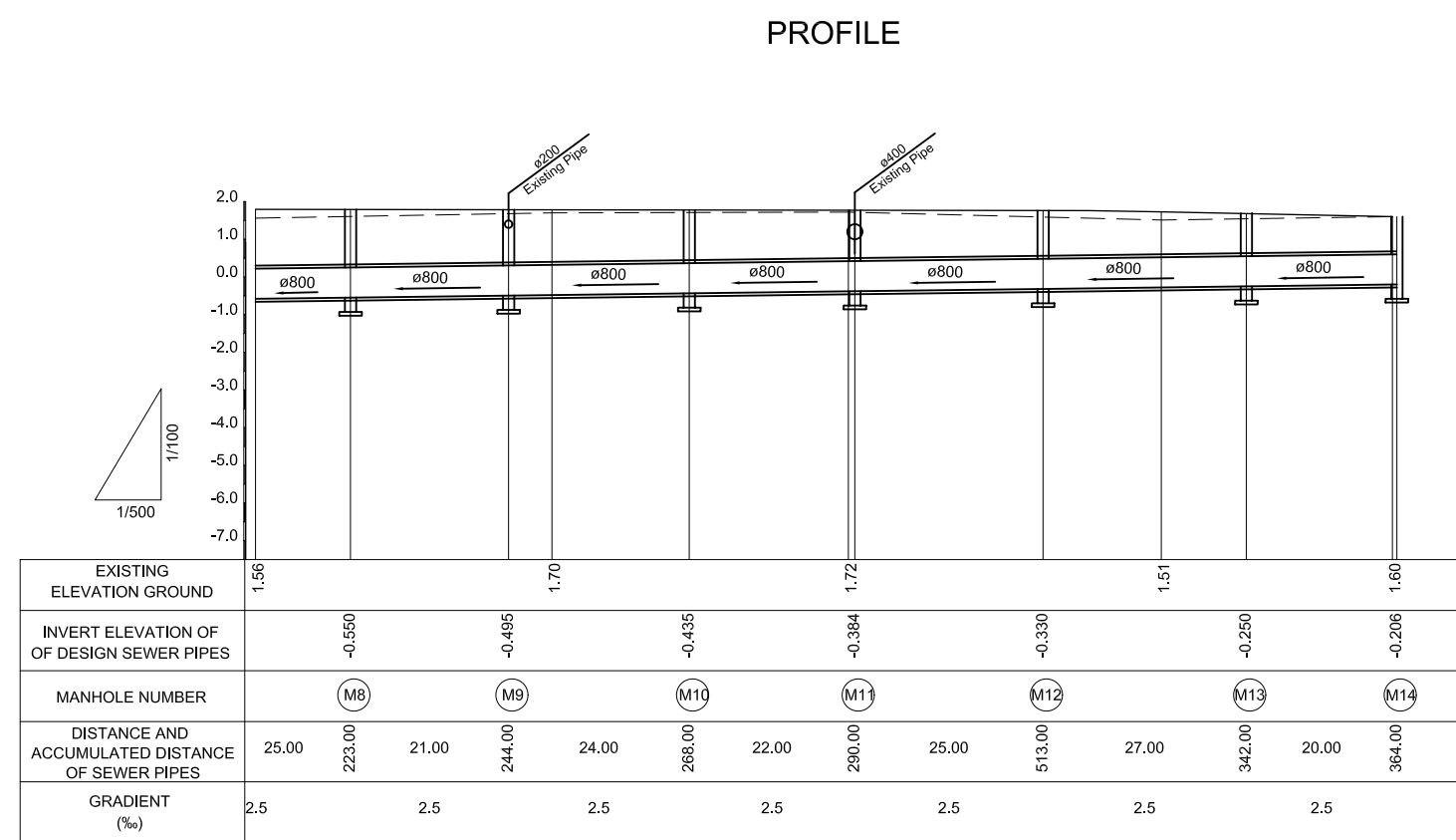
DESIGNED TOKUMASU TOSHIAKI	CHECKED KONDO MASAMI
-------------------------------	-------------------------

DATE : JUNE 2001 DWG. No. PA - THBNCI - 260



LOCATION MAP
Scale 1 : 65,000

- LEGEND**
- Inlet
 - Manhole and Pipe
 - Electric Post
 - Water Supply



NO.	DATE	DESCRIPTIONS	BY	APRO.

REVISIONS

PROJECT MANAGEMENT UNIT FOR
HO CHI MINH CITY
WATER ENVIRONMENT IMPROVEMENT

THE DETAILED DESIGN ON HO CHI MINH CITY
WATER ENVIRONMENT IMPROVEMENT PROJECT
IN THE SOCIALIST REPUBLIC OF VIET NAM

PACKAGE A
TAU HU - BEN NGHE CANAL IMPROVEMENT

PLAN AND PROFILE OF
NEW CONNECTION ROAD, SEWER
AND OTHER UTILITIES SERVICES (2)

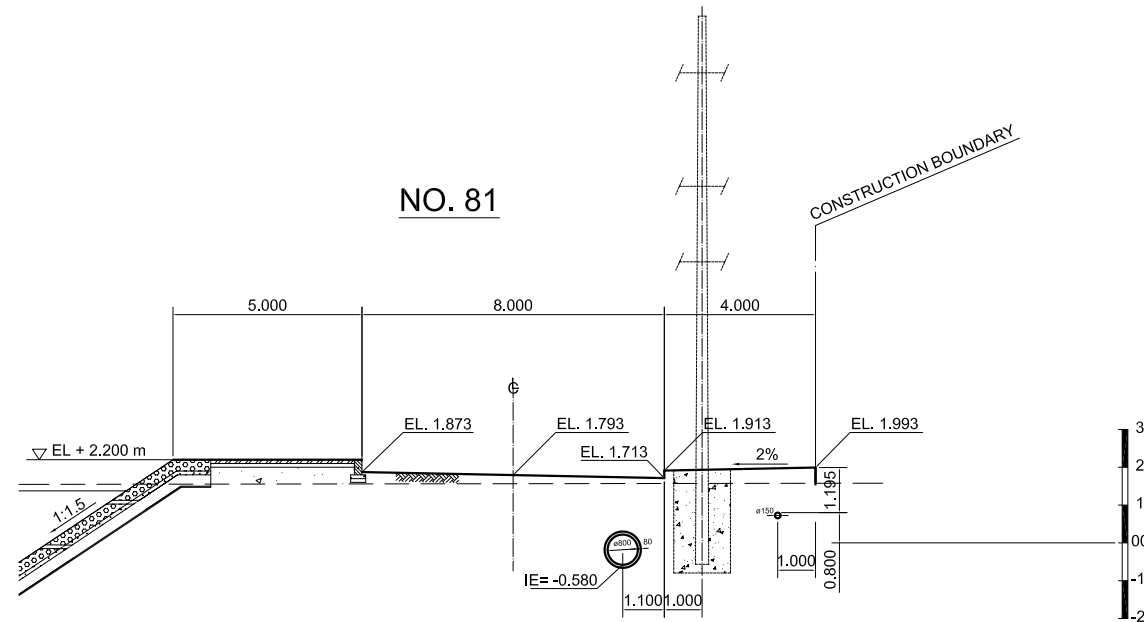
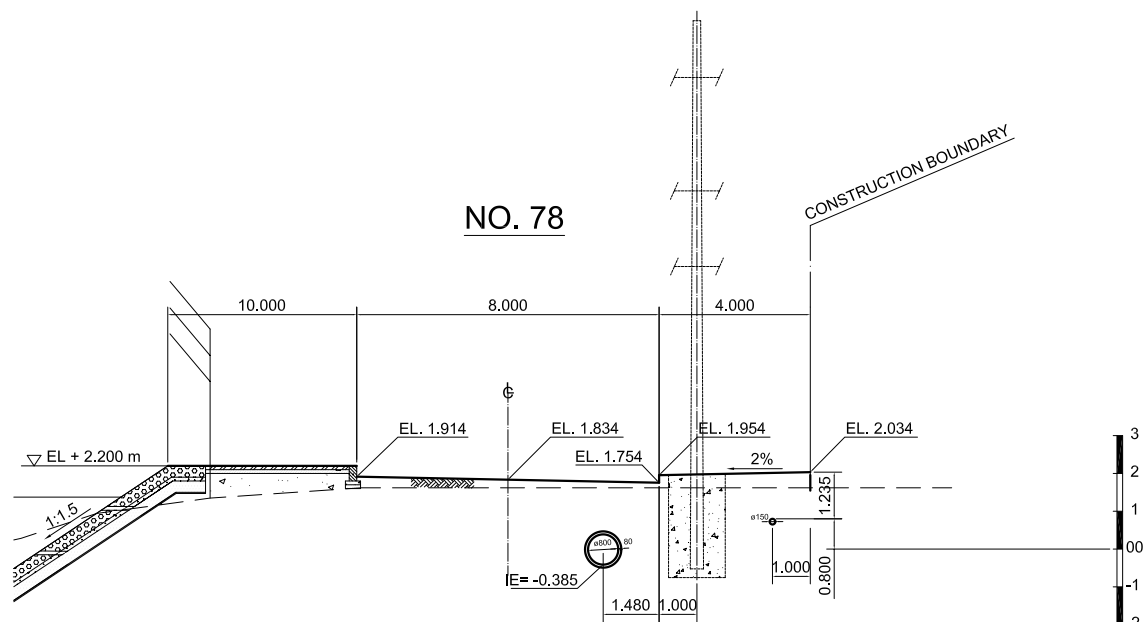
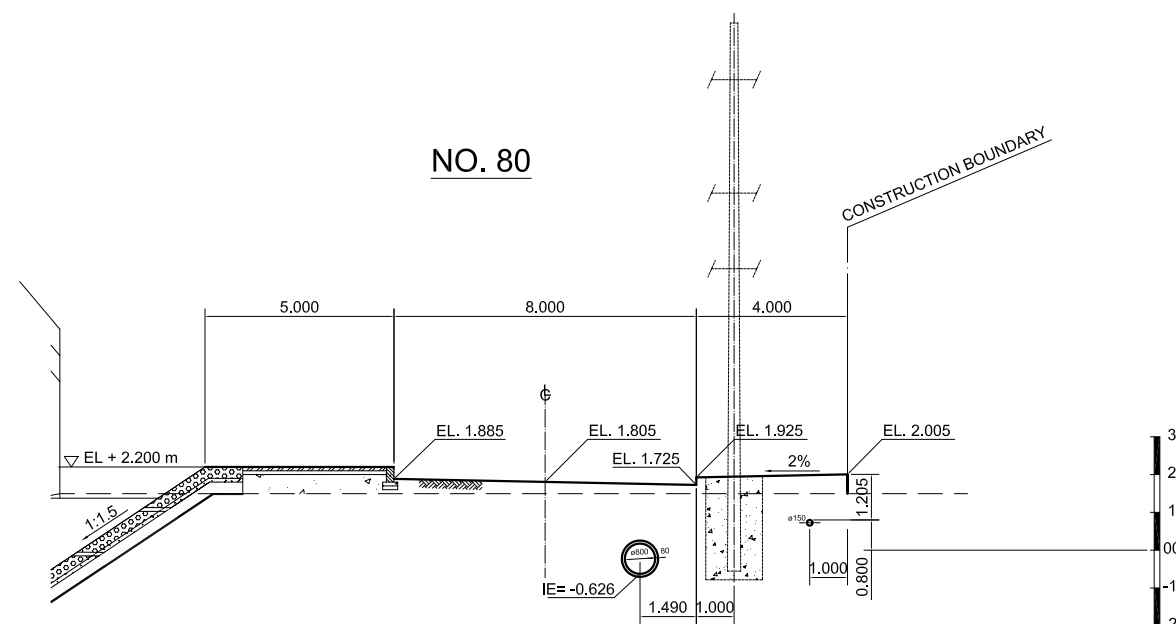
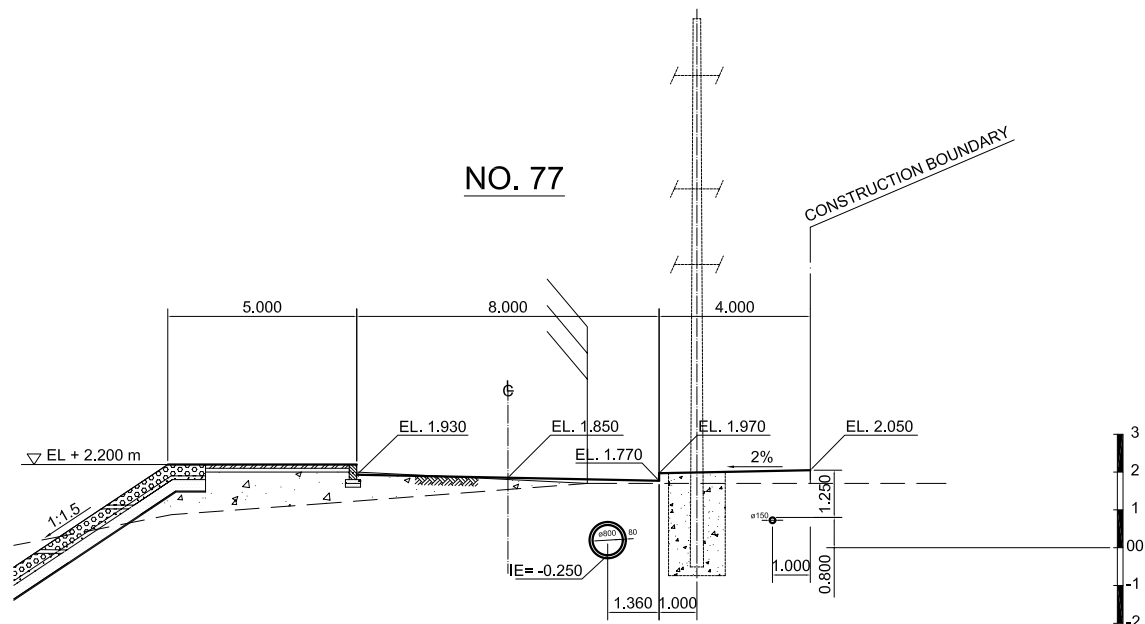
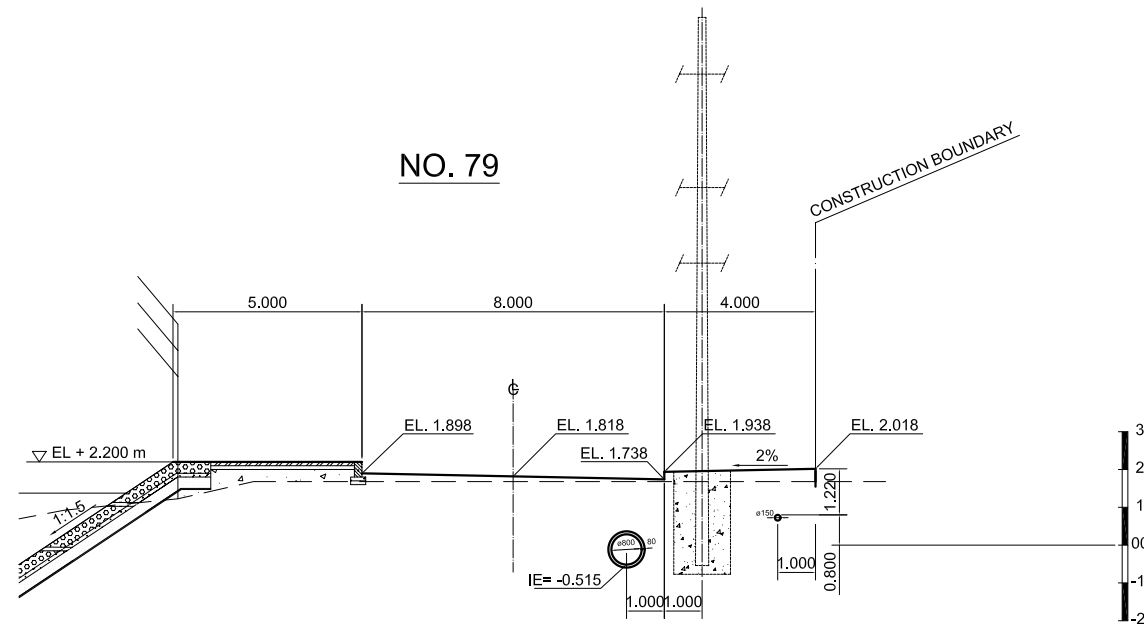
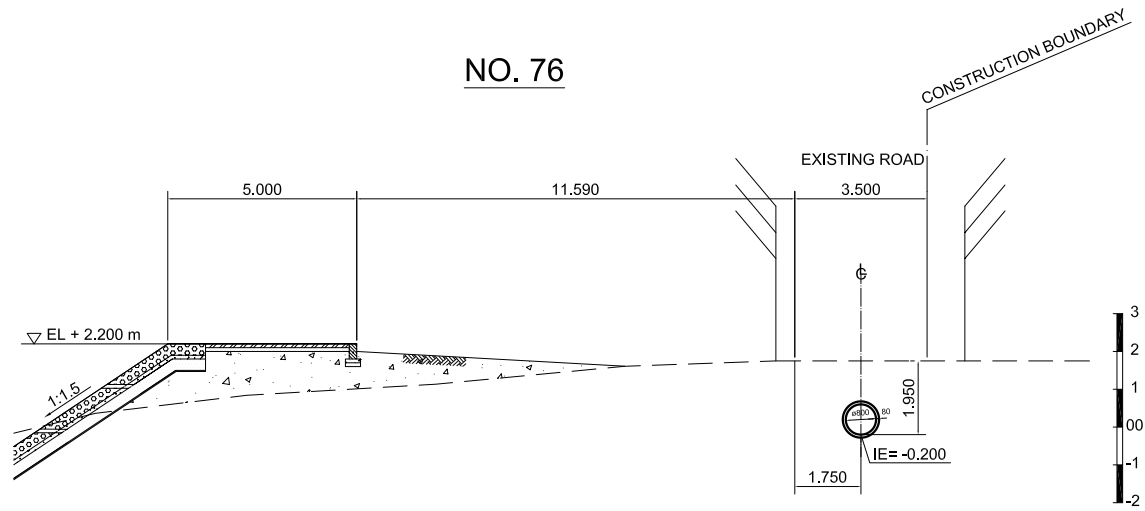
SCALE : 1 : 500

JAPAN INTERNATIONAL COOPERATION AGENCY (JICA)

PACIFIC CONSULTANTS INTERNATIONAL

DESIGNED TOKUMASU TOSHIAKI	CHECKED KONDO MASAMI
-------------------------------	-------------------------

DATE : JUNE 2001 DWG. No. PA - THBNCI - 261



NO.	DATE	DESCRIPTIONS	BY	APPRO.

REVISIONS

PROJECT MANAGEMENT UNIT FOR
HO CHI MINH CITY
WATER ENVIRONMENT IMPROVEMENT

THE DETAILED DESIGN STUDY ON HO CHI MINH CITY
WATER ENVIRONMENT IMPROVEMENT PROJECT
IN THE SOCIALIST REPUBLIC OF VIET NAM

PACKAGE A
TAU HU - BEN NGHE CANAL IMPROVEMENT

CROSS SECTION OF
NEW CONNECTION ROAD, SEWER
AND OTHER UTILITIES SERVICES (1)

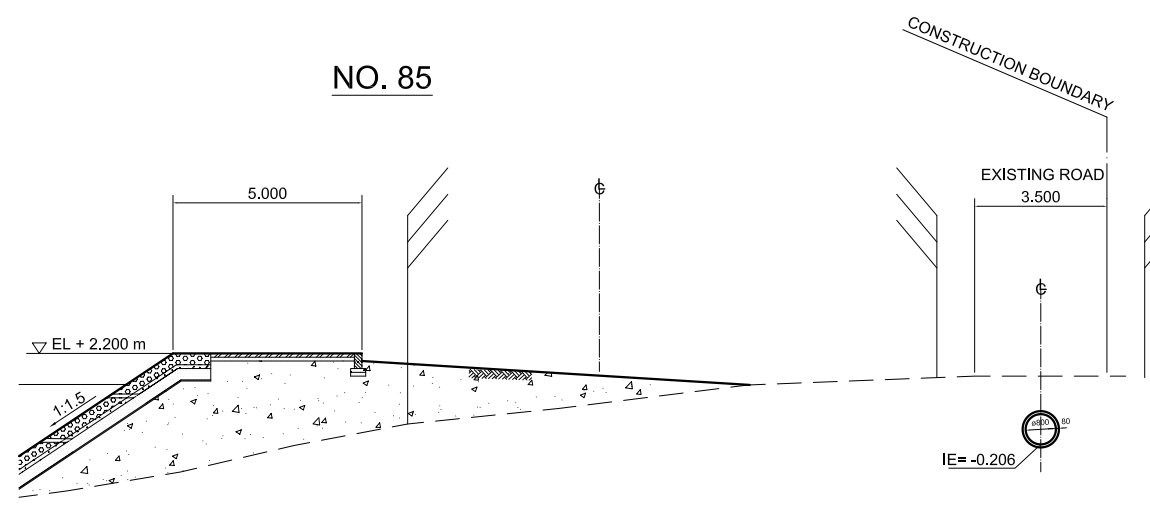
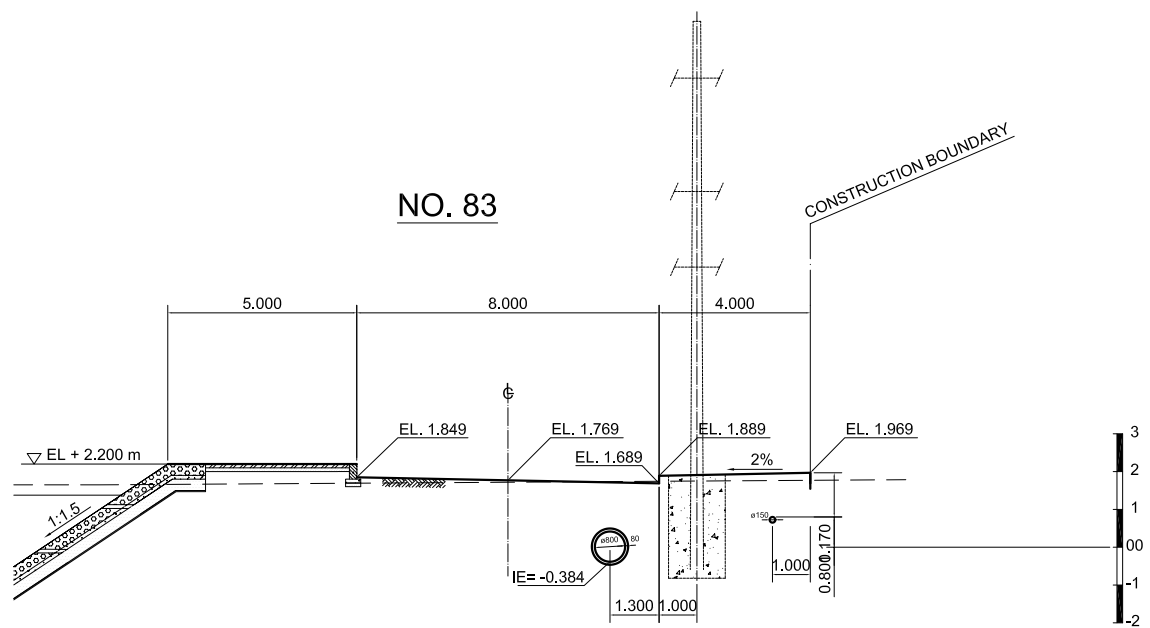
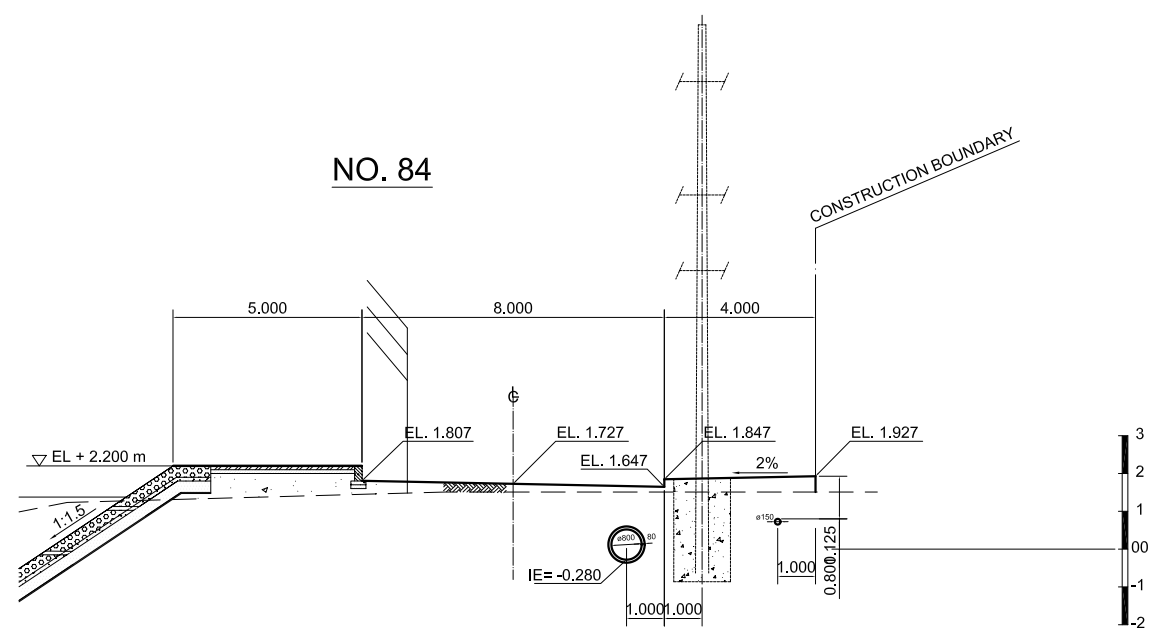
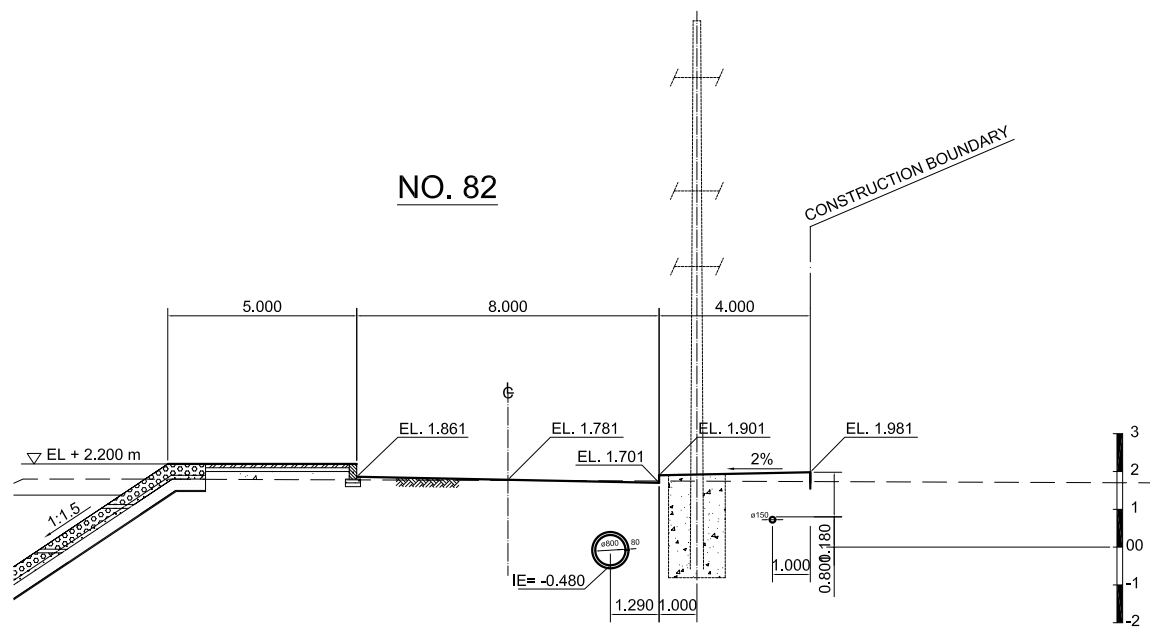
SCALE : 1 / 100

JAPAN INTERNATIONAL COOPERATION
AGENCY (JICA)

PACIFIC CONSULTANTS INTERNATIONAL

DESIGNED TOKUMASU TOSHIAKI	CHECKED KONDO MASAMI
-------------------------------	-------------------------

DATE : JUNE 2001 DWG. No. PA - THBNCI - 262



NO.	DATE	DESCRIPTIONS	BY	APPRO.

REVISIONS

PROJECT MANAGEMENT UNIT FOR
HO CHI MINH CITY
WATER ENVIRONMENT IMPROVEMENT

THE DETAILED DESIGN ON HO CHI MINH CITY
WATER ENVIRONMENT IMPROVEMENT PROJECT
IN THE SOCIALIST REPUBLIC OF VIET NAM

PACKAGE A
TAU HU - BEN NGHE CANAL IMPROVEMENT

CROSS SECTION OF
NEW CONNECTION ROAD, SEWER
AND OTHER UTILITIES SERVICES (2)

SCALE : 1 / 200

JICA JAPAN INTERNATIONAL COOPERATION
AGENCY (JICA)

PACIFIC CONSULTANTS INTERNATIONAL

DESIGNED
TOKUMASU TOSHIKI

CHECKED
KONDO MASAMI

DATE : JUNE 2001 DWG. No. PA - THBNCI - 263