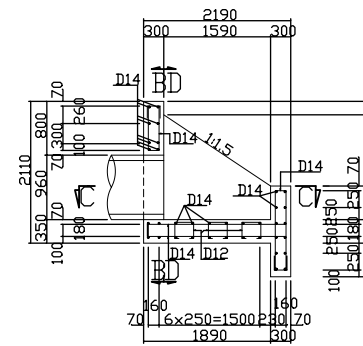


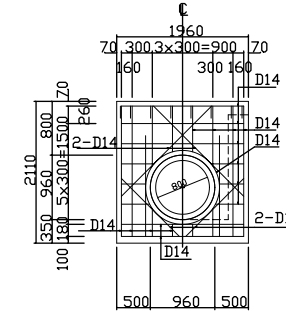
SECTION 2-2

FRONT OF VIEW

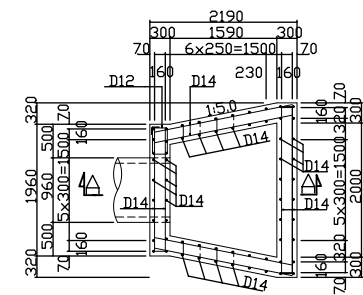
SECTION A-A



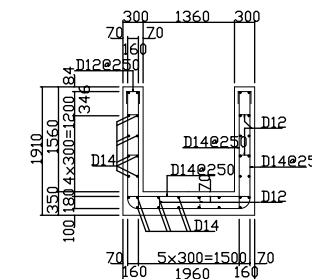
SECTION B-B



SECTION C-C



SECTION D-D



LEGEND

- * THIS TYPICAL OUTLET STRUCTURE IS APPLIED FOR CIRCULAR SHAPE OUTLETS WITH THE DIAMETERS FROM 1000 TO 1500MM
- * THE VALUE INSIDE THE BRACKET IS APPLIED FOR OUTLET TH-R7

NO.	DATE	DESCRIPTIONS	BY	APRO.

REVISIONS

PROJECT MANAGEMENT UNIT FOR
HO CHI MINH CITY
WATER ENVIRONMENT IMPROVEMENT

THE DETAILED DESIGN STUDY ON HO CHI MINH CITY
WATER ENVIRONMENT IMPROVEMENT PROJECT
IN THE SOCIALIST REPUBLIC OF VIET NAM

PACKAGE A
TAU HU - BEN NGHE CANAL IMPROVEMENT
OUTLET OF SEWERS
TH-R6, TH-R7

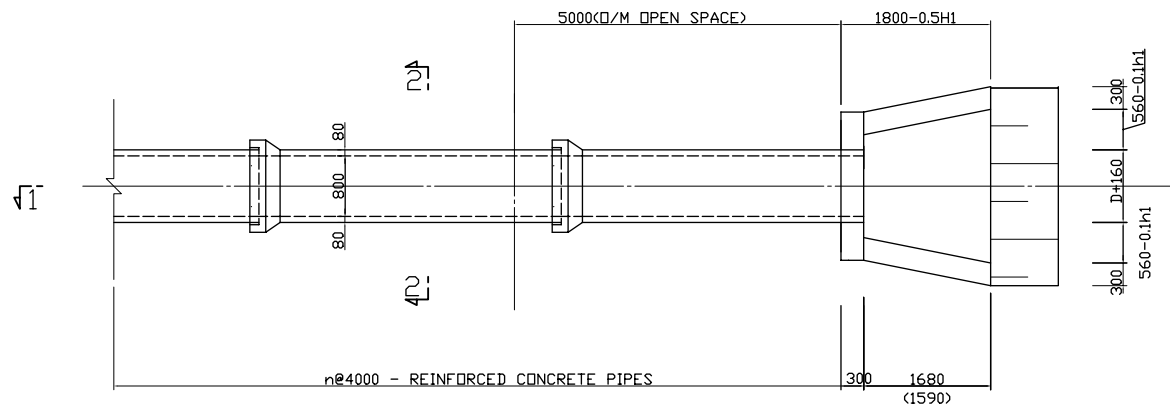
SCALE 1:50

JICA JAPAN INTERNATIONAL COOPERATION
AGENCY (JICA)

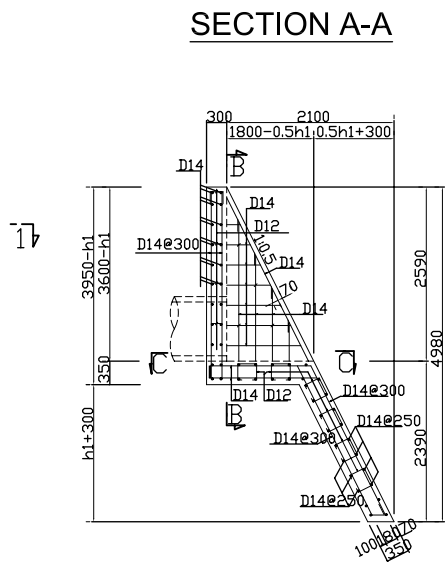
PACIFIC CONSULTANTS INTERNATIONAL

DESIGNED TOKUMASU TOSHIKI	CHECKED KONDO MASAMI
------------------------------	-------------------------

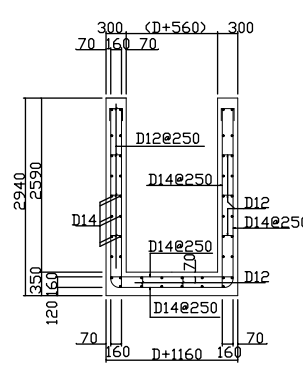
DATE : JUNE 2001 DWG. No. PA - THBNC1 - 257



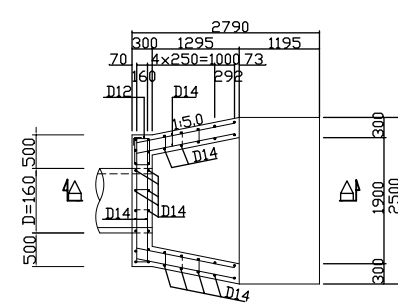
PLAN



SECTION B-B



SECTION C-C

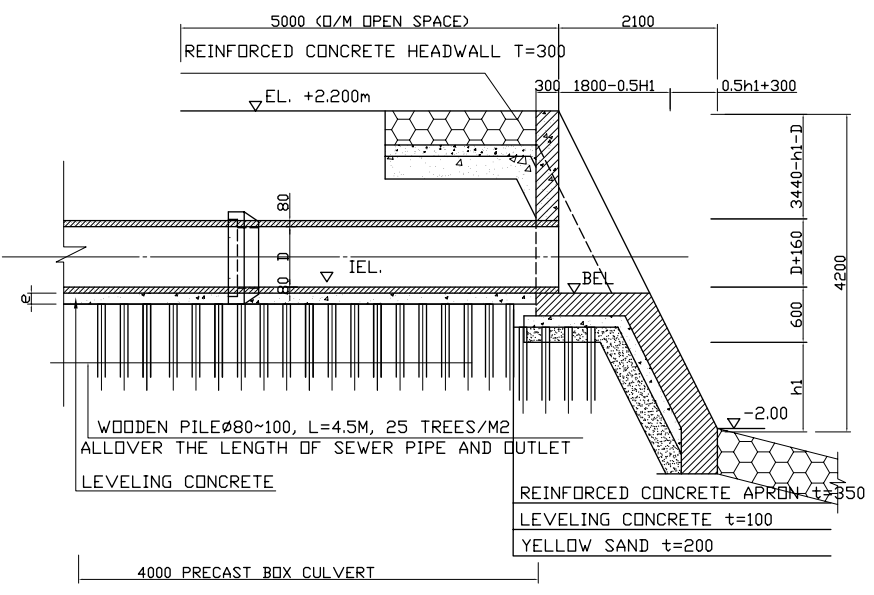


DIMENSION TABLE

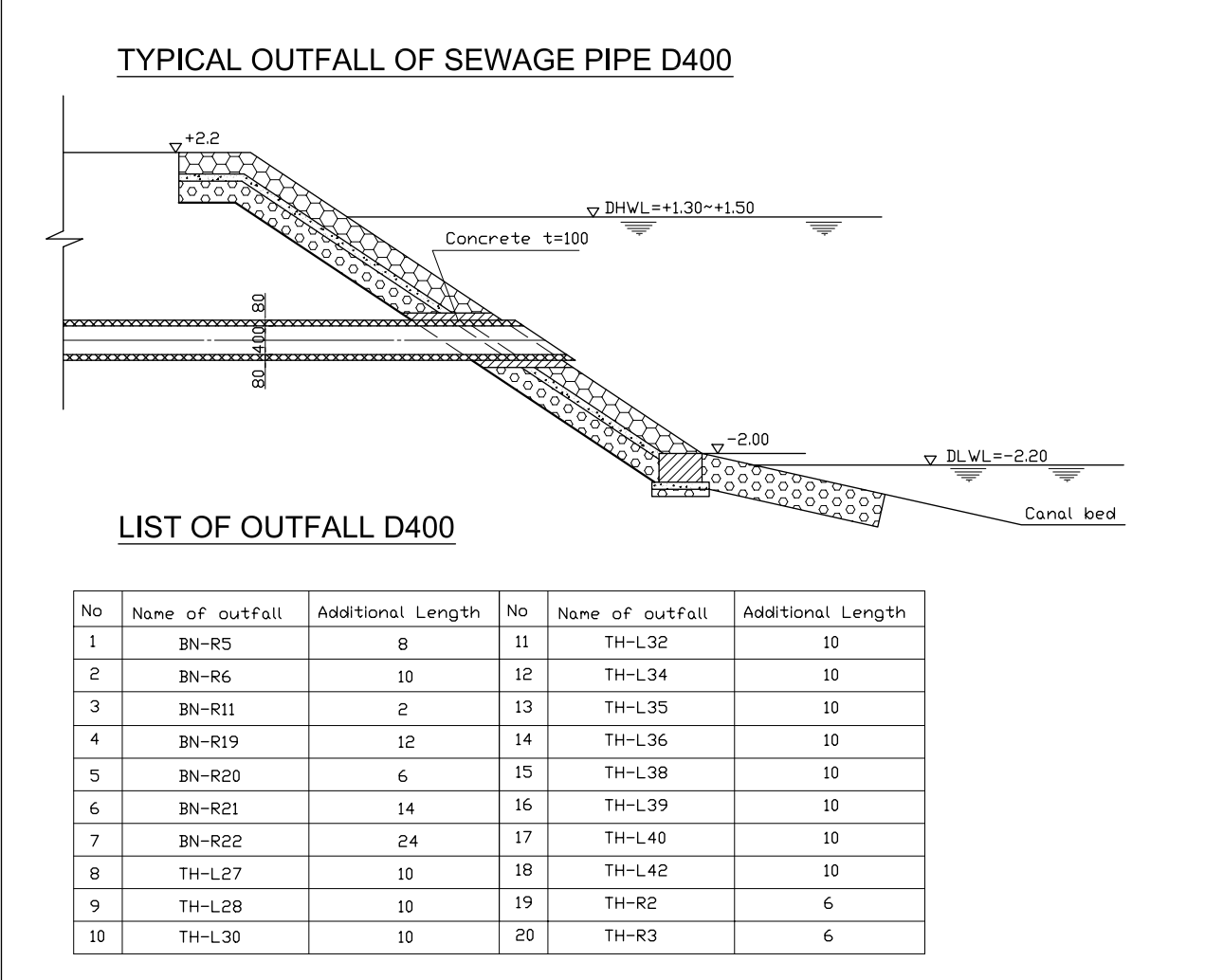
No. OF OUTLET	D	h1 (mm)	n	IEL (m)	BEL (m)	REMARK
TH - L24	600	1190	1	-0.13	-0.21	
TH - L21	800	1010	1	0.47	0.39	
TH - R8	600	-	1	-1.58	-1.5	
TH - R11	600	1310	1	0.17	0.09	
TH - R12	800	1200	1	-0.12	-0.20	

LEGEND

THIS OUTLET STRUCTURE IS APPLIED FOR OUTLETS: TH-L24, TH-L21, TH-R7, TH-R11 THE DIMENSION FOR EACH IS MENTIONED IN THE TABLE BELOW

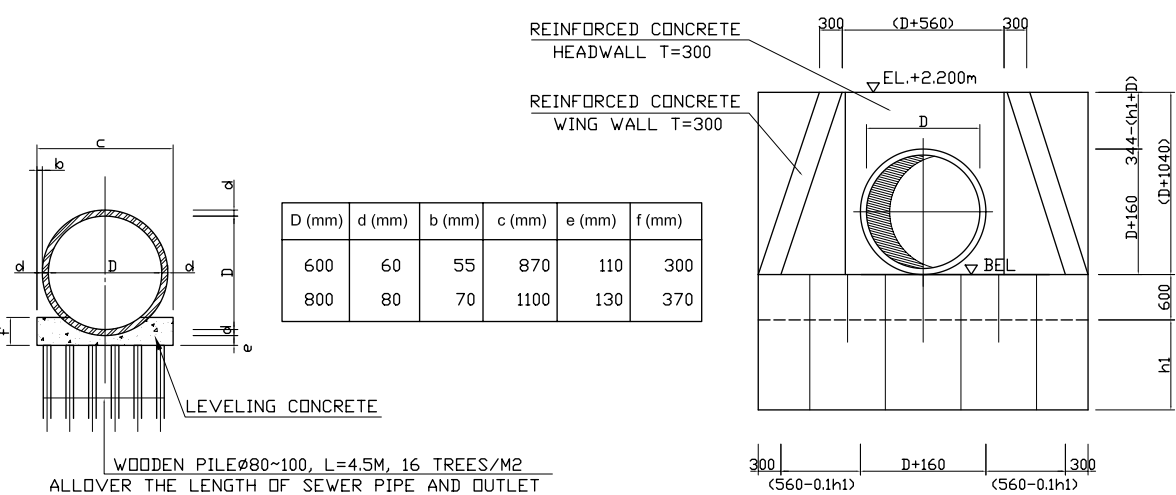


SECTION 1 - 1



LIST OF OFFFALL D400

No	Name of outfall	Additional Length	No	Name of outfall	Additional Length
1	BN-R5	8	11	TH-L32	10
2	BN-R6	10	12	TH-L34	10
3	BN-R11	2	13	TH-L35	10
4	BN-R19	12	14	TH-L36	10
5	BN-R20	6	15	TH-L38	10
6	BN-R21	14	16	TH-L39	10
7	BN-R22	24	17	TH-L40	10
8	TH-L27	10	18	TH-L42	10
9	TH-L28	10	19	TH-R2	6
10	TH-L30	10	20	TH-R3	6



FRONT OF VIEW

SECTION 2-2

NO.	DATE	DESCRIPTIONS	BY	APRO.
REVISIONS				
PROJECT MANAGEMENT UNIT FOR HO CHI MINH CITY WATER ENVIRONMENT IMPROVEMENT				
THE DETAILED DESIGN STUDY ON HO CHI MINH CITY WATER ENVIRONMENT IMPROVEMENT PROJECT IN THE SOCIALIST REPUBLIC OF VIET NAM				
PACKAGE A TAU HU - BEN NGHE CANAL IMPROVEMENT				
OUTLET OF SEWER : PIPE DIAMETER FROM 600 TO 800 MM (REVTMENT TYPE B) AND PIPEDIAMETER OF 400MM				
SCALE 1:50				
JAPAN INTERNATIONAL COOPERATION AGENCY (JICA)				
PACIFIC CONSULTANTS INTERNATIONAL				
DESIGNED TOKUMASU TOSHIAKI	CHECKED KONDO MASAMI			
DATE : JUNE 2001	DWG. No. PA - THBNCI - 258			

