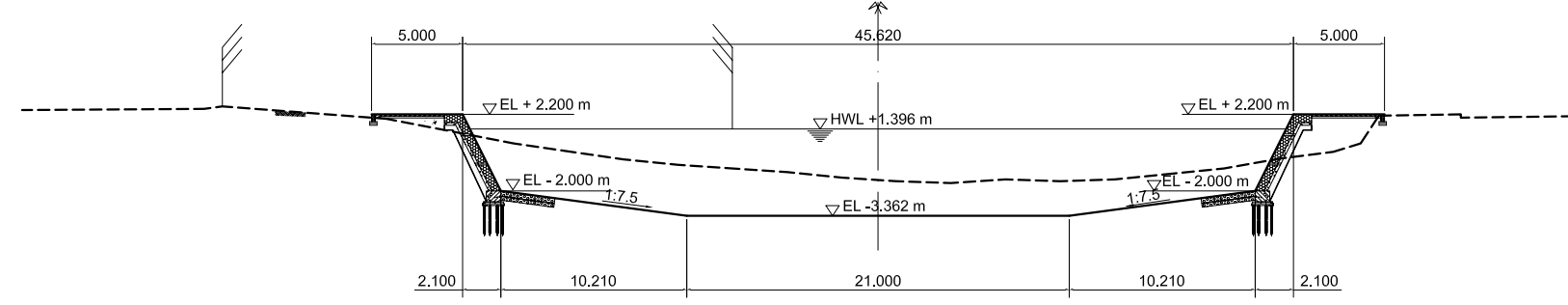
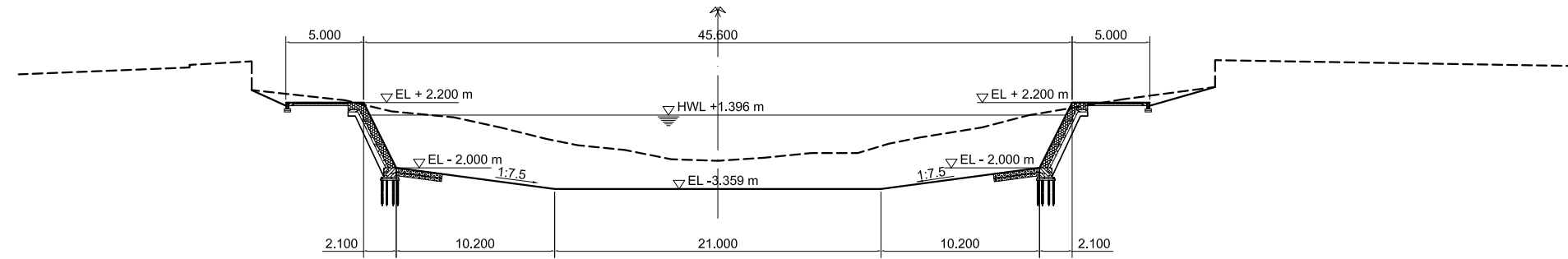
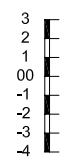
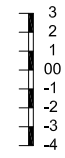


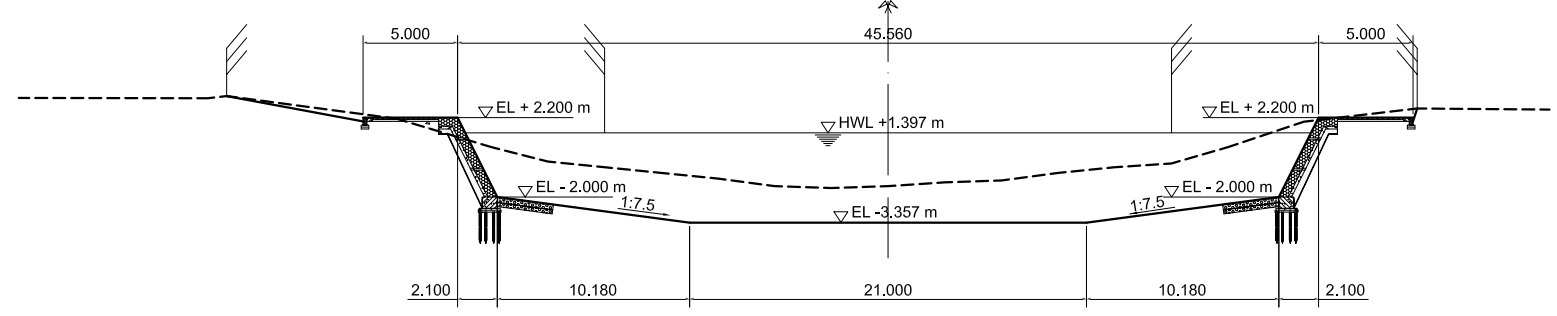
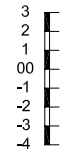
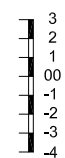
NO. 120



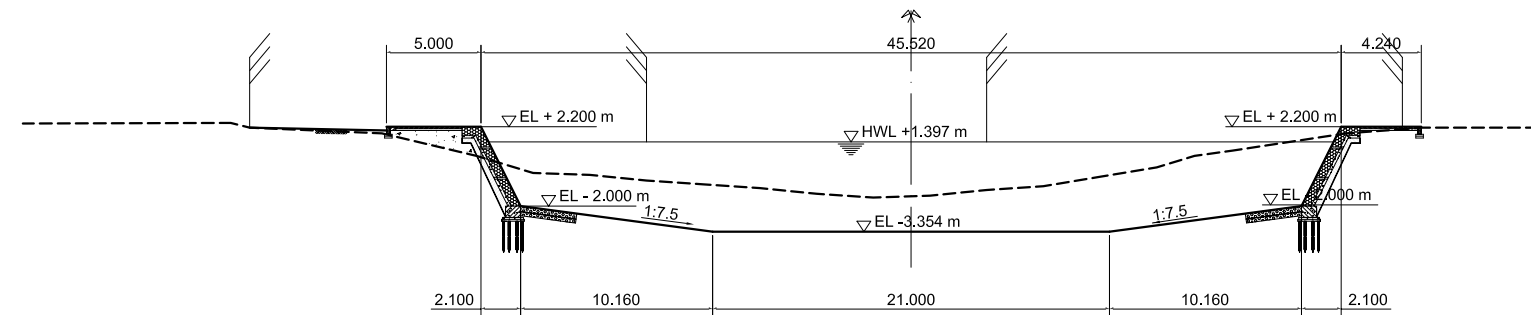
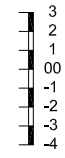
NO. 121



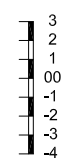
NO. 122 (CHA VA BRIDGE)



NO. 123



NO. 124



NO.	DATE	DESCRIPTIONS	BY	APPRO.
-----	------	--------------	----	--------

REVISIONS

PROJECT MANAGEMENT UNIT FOR
HO CHI MINH CITY
WATER ENVIRONMENT IMPROVEMENT

THE DETAILED DESIGN ON HO CHI MINH CITY
WATER ENVIRONMENT IMPROVEMENT PROJECT
IN THE SOCIALIST REPUBLIC OF VIET NAM

PACKAGE A
TAU HU - BEN NGHE CANAL IMPROVEMENT
CROSS SECTION
(No. 120 ~ No. 124)

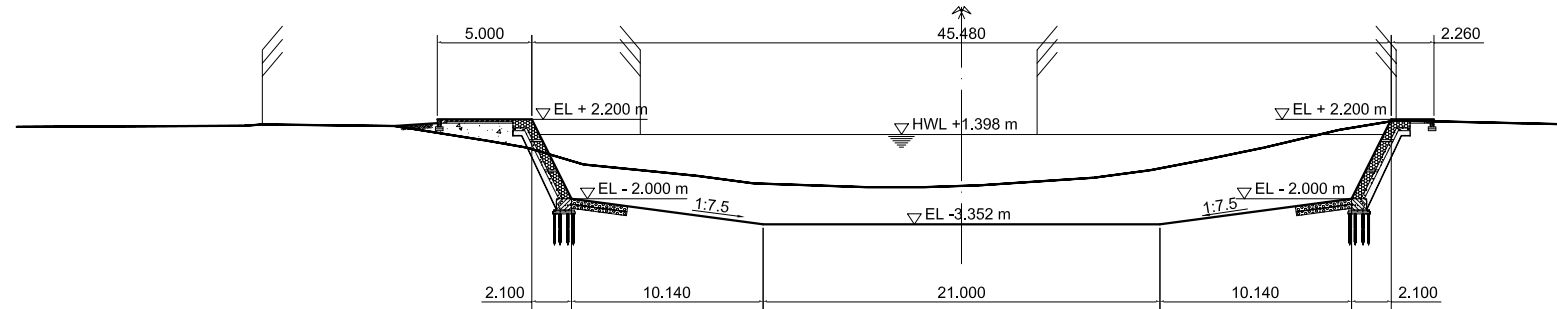
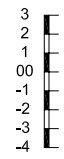
SCALE : 1 / 200

JAPAN INTERNATIONAL COOPERATION
AGENCY (JICA)

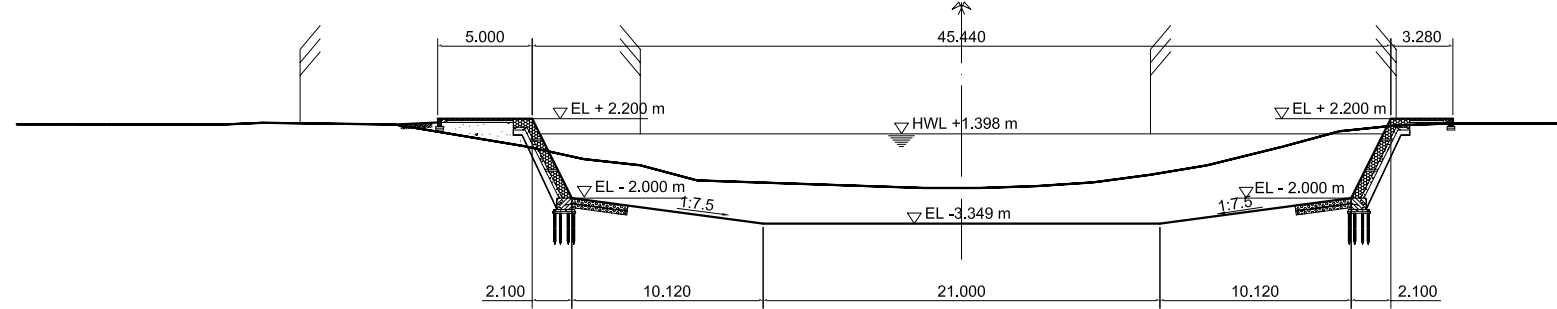
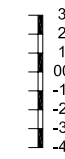
PACIFIC CONSULTANTS INTERNATIONAL

DESIGNED TOKUMASU TOSHIAKI	CHECKED KONDO MASAMI
-------------------------------	-------------------------

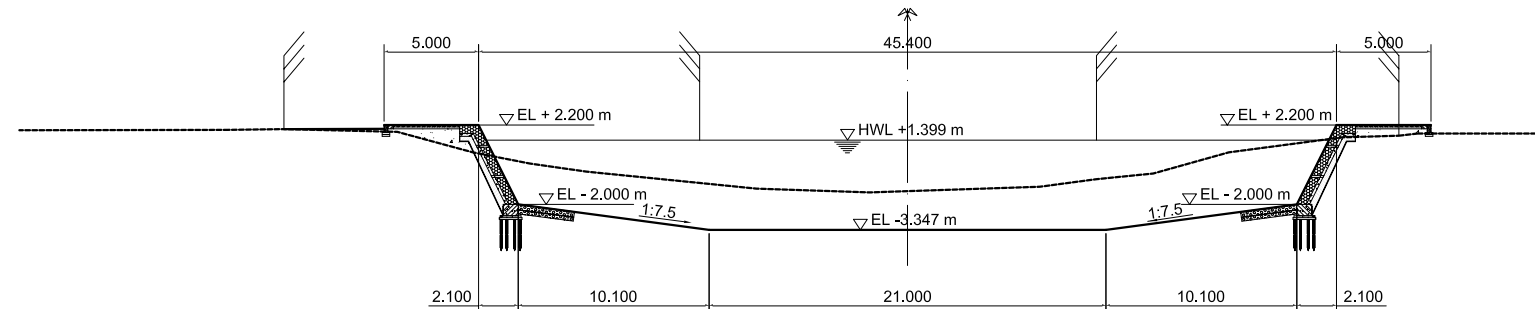
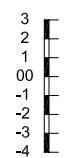
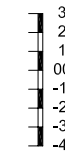
DATE : JUNE 2001 DWG. No. PA - THBNCI - 239



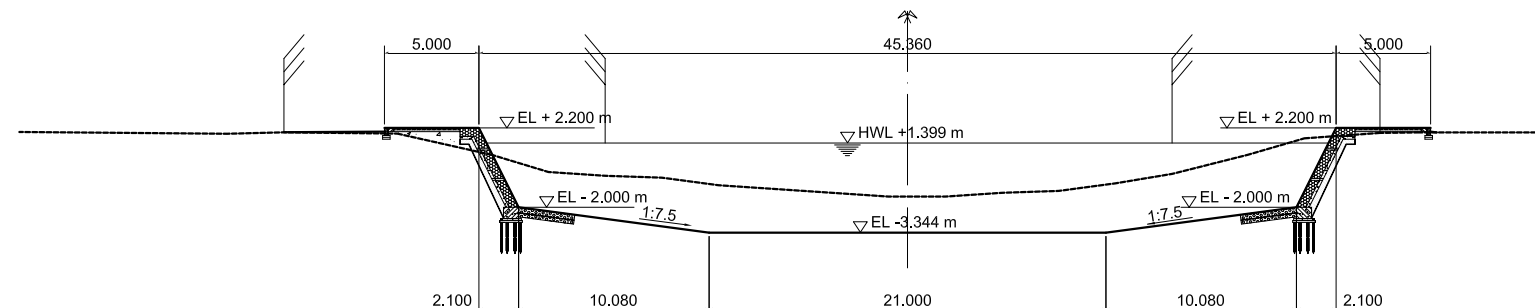
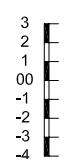
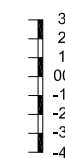
NO. 125



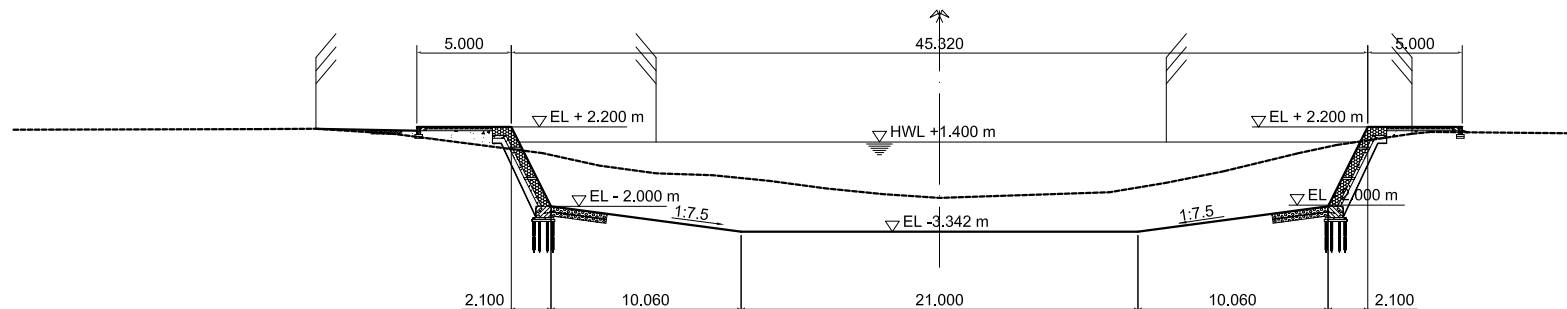
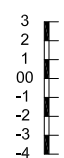
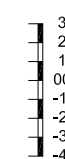
NO. 126



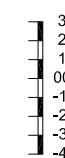
NO. 127



NO. 128



NO. 129



NO.	DATE	DESCRIPTIONS	BY	APRO.
-----	------	--------------	----	-------

REVISIONS

PROJECT MANAGEMENT UNIT FOR
HO CHI MINH CITY
WATER ENVIRONMENT IMPROVEMENT

THE DETAILED DESIGN STUDY ON HO CHI MINH CITY
WATER ENVIRONMENT IMPROVEMENT PROJECT
IN THE SOCIALIST REPUBLIC OF VIET NAM

PACKAGE A
TAU HU - BEN NGHE CANAL IMPROVEMENT
CROSS SECTION
(No. 125 ~ No. 129)

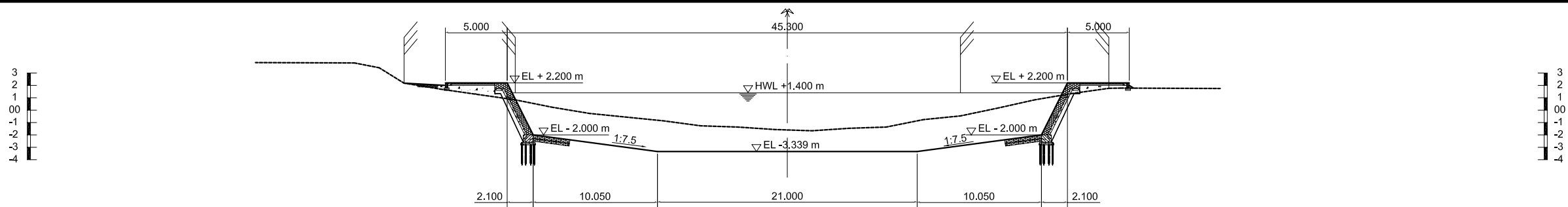
SCALE : 1 / 200

JAPAN INTERNATIONAL COOPERATION
AGENCY (JICA)

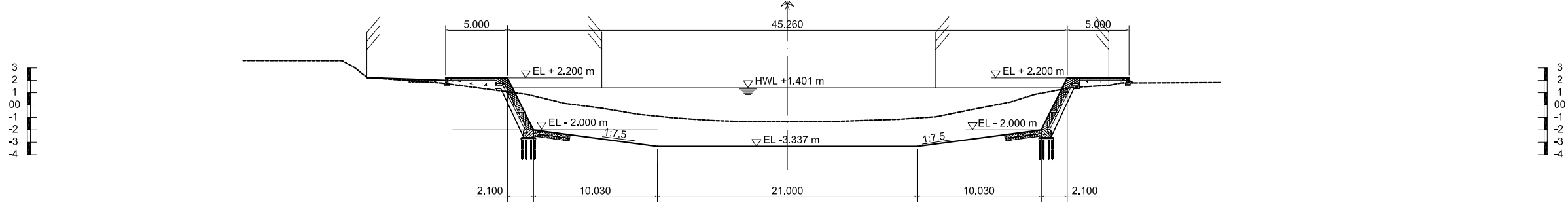
PACIFIC CONSULTANTS INTERNATIONAL

DESIGNED TOKUMASU TOSHIAKI	CHECKED KONDO MASAMI
-------------------------------	-------------------------

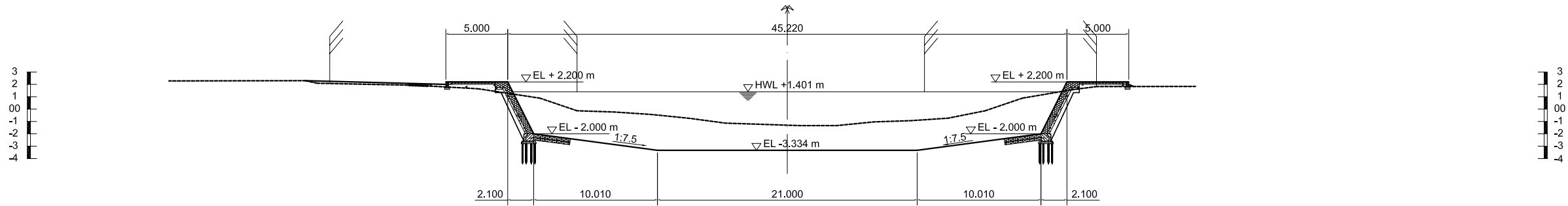
DATE : JUNE 2001 DWG. No. PA - THBNCI - 240



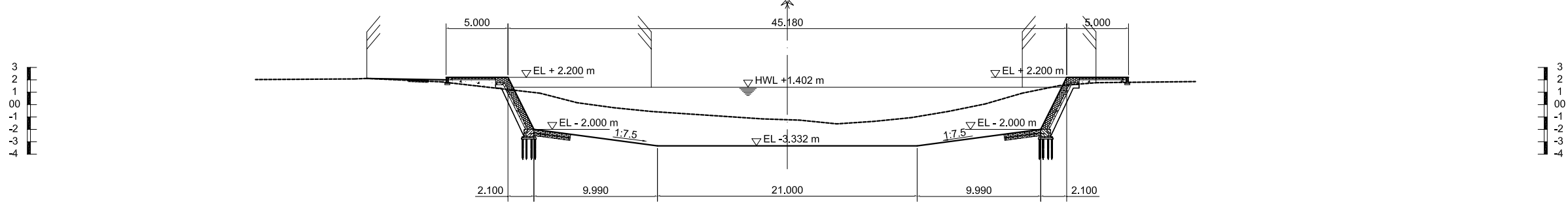
NO. 130



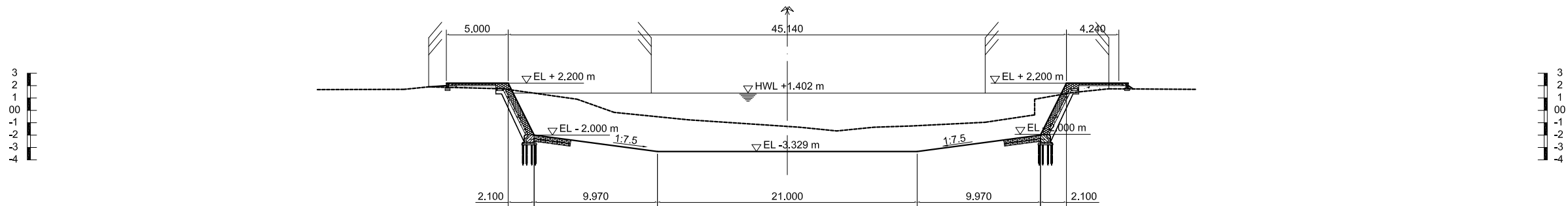
NO. 131



NO. 132



NO. 133



NO. 134

NO.	DATE	DESCRIPTIONS	BY	APPRO.

REVISIONS

PROJECT MANAGEMENT UNIT FOR
HO CHI MINH CITY
WATER ENVIRONMENT IMPROVEMENT

THE DETAILED DESIGN ON HO CHI MINH CITY
WATER ENVIRONMENT IMPROVEMENT PROJECT
IN THE SOCIALIST REPUBLIC OF VIET NAM

PACKAGE A
TAU HU - BEN NGHE CANAL IMPROVEMENT
CROSS SECTION
(No. 130 ~ No. 134)

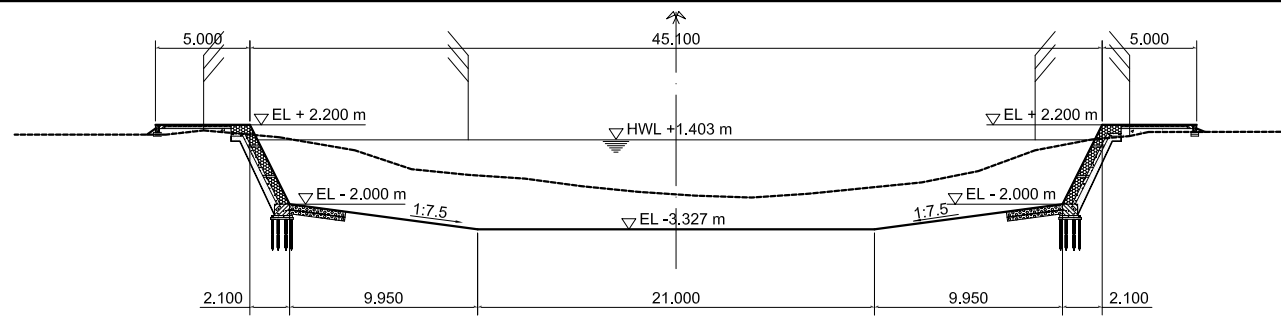
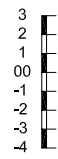
SCALE : 1 / 200

JICA JAPAN INTERNATIONAL COOPERATION
AGENCY (JICA)

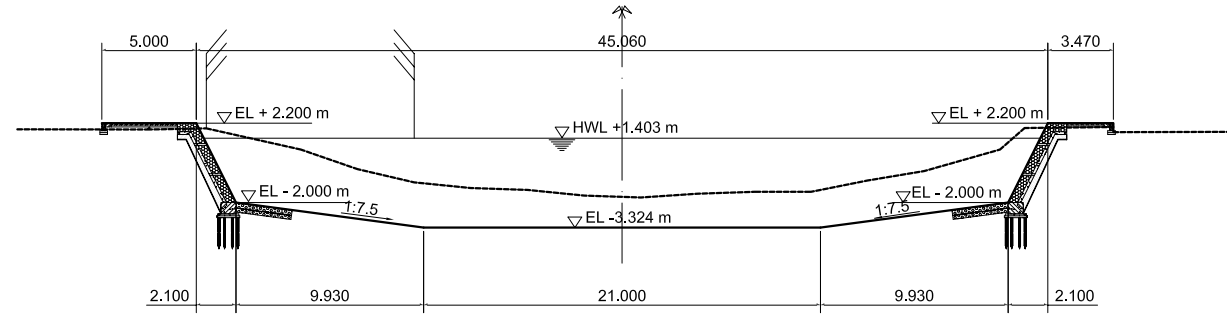
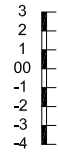
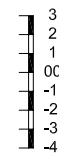
PACIFIC CONSULTANTS INTERNATIONAL

DESIGNED TOKUMASU TOSHIAKI	CHECKED KONDO MASAMI
-------------------------------	-------------------------

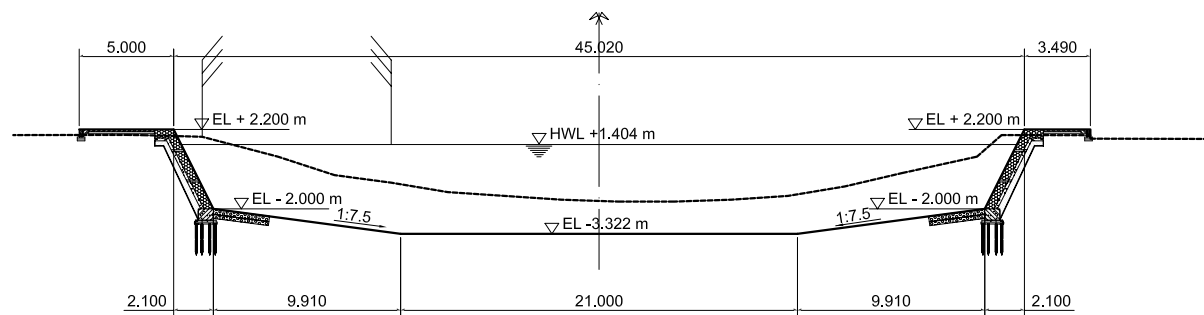
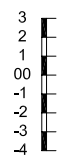
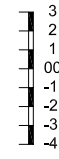
DATE : JUNE 2001 DWG. No. PA - THBNCI - 241



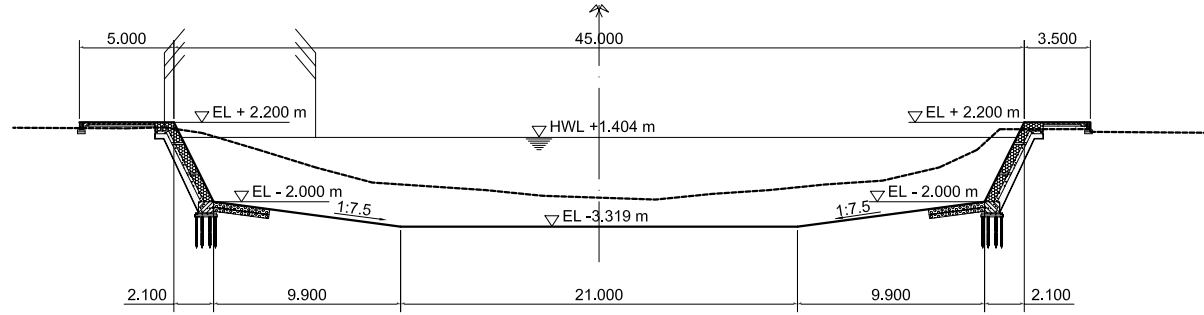
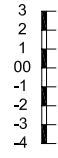
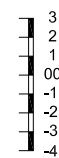
NO. 135



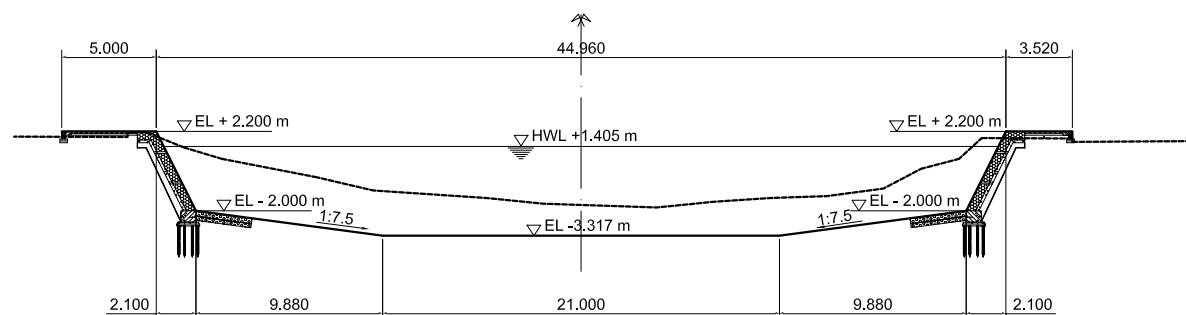
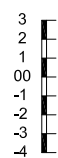
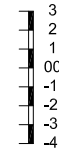
NO. 136



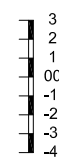
NO. 137



NO. 138



NO. 139



NO.	DATE	DESCRIPTIONS	BY	APPRO.

REVISIONS

PROJECT MANAGEMENT UNIT FOR
HO CHI MINH CITY
WATER ENVIRONMENT IMPROVEMENT

THE DETAILED DESIGN ON HO CHI MINH CITY
WATER ENVIRONMENT IMPROVEMENT PROJECT
IN THE SOCIALIST REPUBLIC OF VIET NAM

PACKAGE A
TAU HU - BEN NGHE CANAL IMPROVEMENT
CROSS SECTION
(No. 135 ~ No. 139)

SCALE : 1 / 200

JAPAN INTERNATIONAL COOPERATION
AGENCY (JICA)

PACIFIC CONSULTANTS INTERNATIONAL

DESIGNED TOKUMASU TOSHIAKI	CHECKED KONDO MASAMI
-------------------------------	-------------------------

DATE : JUNE 2001 DWG. No. PA - THBNCI - 242