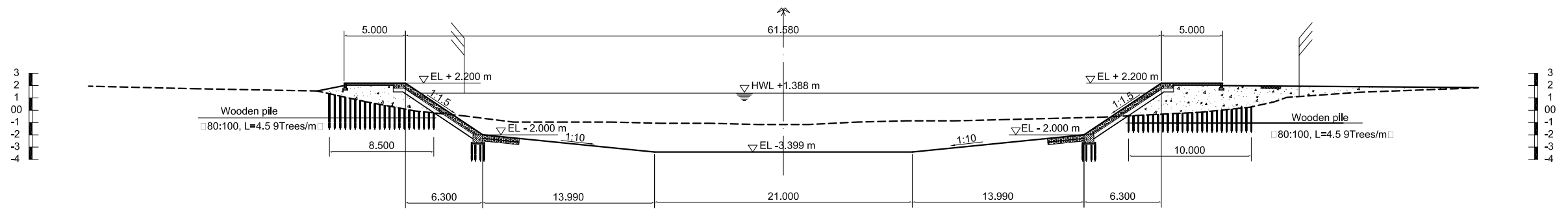
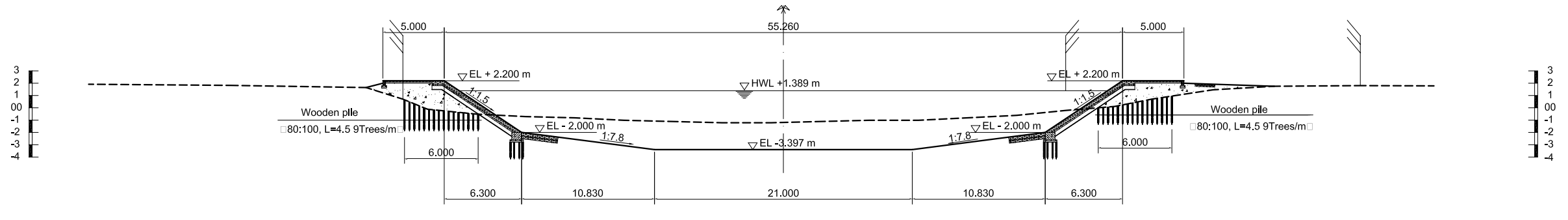


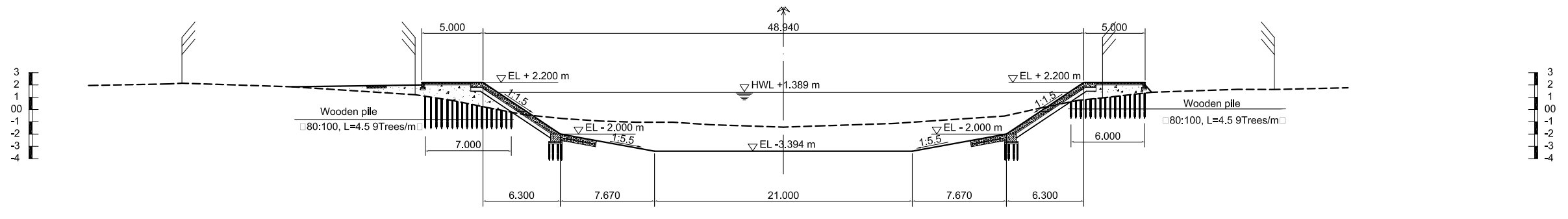
NO. 105



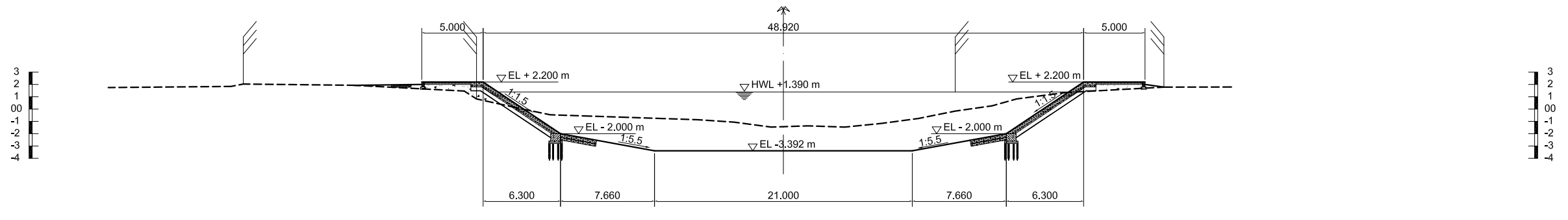
NO. 106



NO. 107



NO. 108



NO. 109

NO.	DATE	DESCRIPTIONS	BY	APRO.

REVISIONS

PROJECT MANAGEMENT UNIT FOR  
HO CHI MINH CITY  
WATER ENVIRONMENT IMPROVEMENT

THE DETAILED DESIGN ON HO CHI MINH CITY  
WATER ENVIRONMENT IMPROVEMENT PROJECT  
IN THE SOCIALIST REPUBLIC OF VIET NAM

PACKAGE A  
TAU HU - BEN NGHE CANAL IMPROVEMENT  
CROSS SECTION  
(No. 105 ~ No. 109)

SCALE : 1 / 200

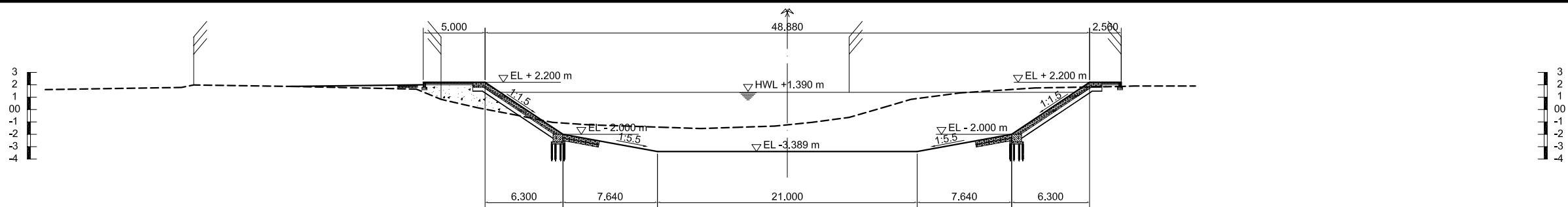
JICA JAPAN INTERNATIONAL COOPERATION  
AGENCY ( JICA )

PACIFIC CONSULTANTS INTERNATIONAL

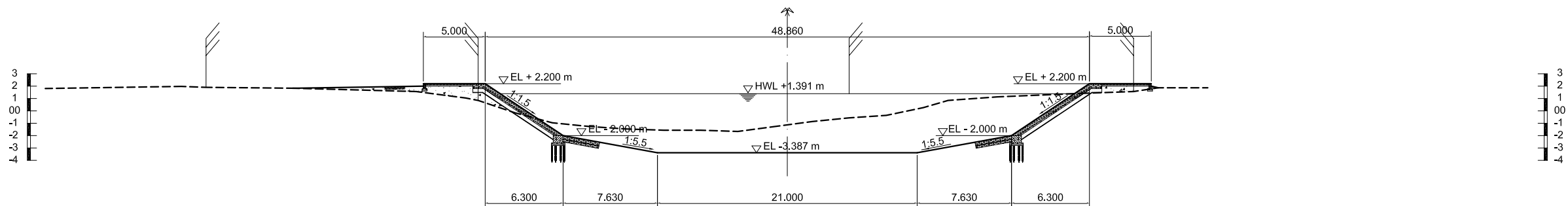
DESIGNED  
TOKUMASU TOSHIAKI

CHECKED  
KONDO MASAMI

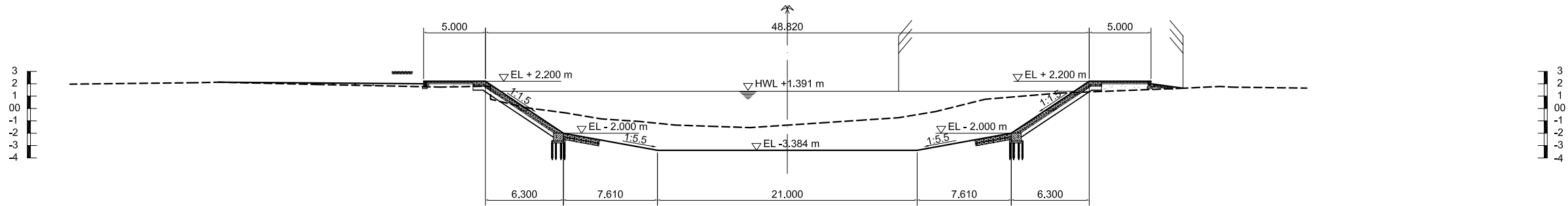
DATE : JUNE 2001 DWG. No. PA - THBNCI - 236



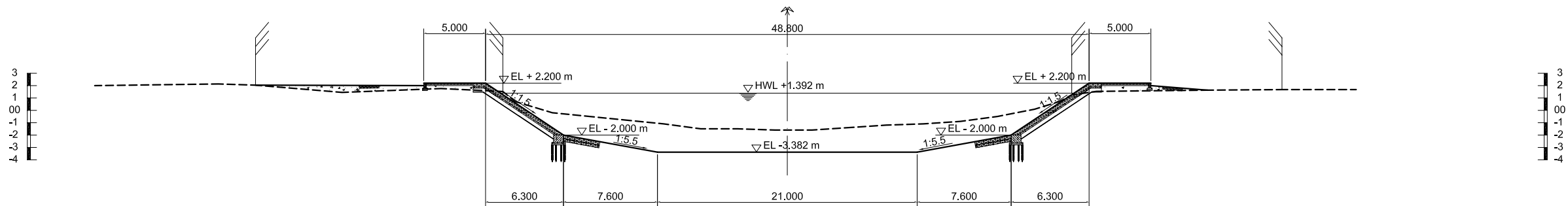
NO. 110



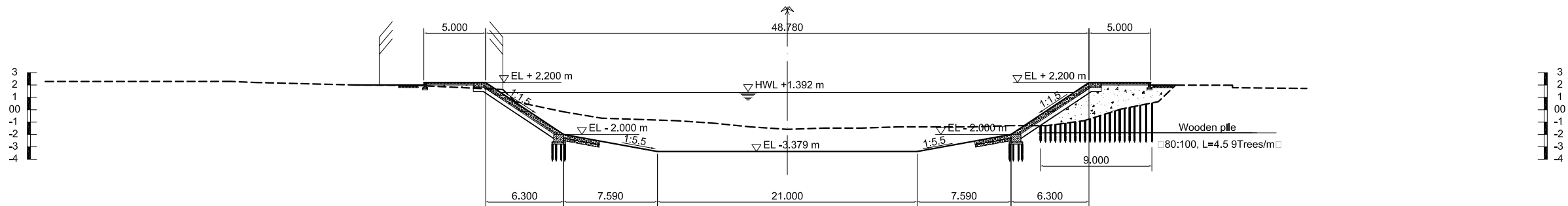
NO. 111



NO. 112



NO. 113



NO. 114

NO.	DATE	DESCRIPTIONS	BY	APRO.

REVISIONS

PROJECT MANAGEMENT UNIT FOR  
HO CHI MINH CITY  
WATER ENVIRONMENT IMPROVEMENT

THE DETAILED DESIGN ON HO CHI MINH CITY  
WATER ENVIRONMENT IMPROVEMENT PROJECT  
IN THE SOCIALIST REPUBLIC OF VIET NAM

PACKAGE A  
TAU HU - BEN NGHE CANAL IMPROVEMENT  
CROSS SECTION  
( No. 110 ~ No. 114 )

SCALE : 1 / 200

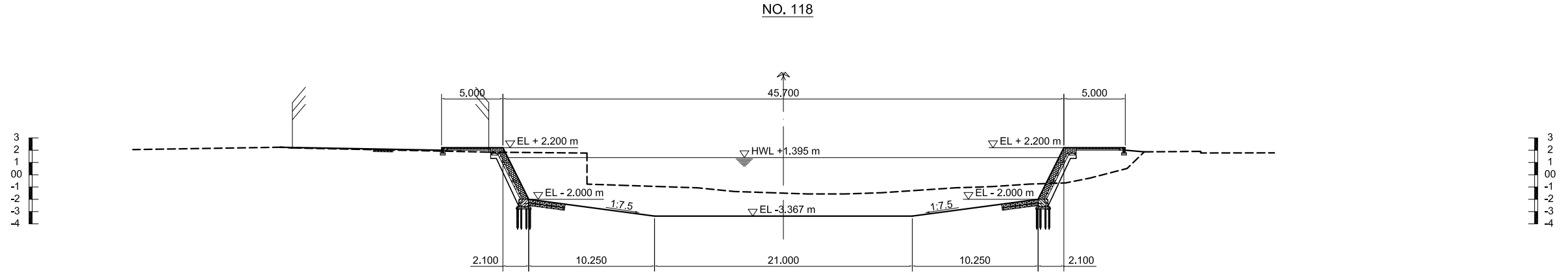
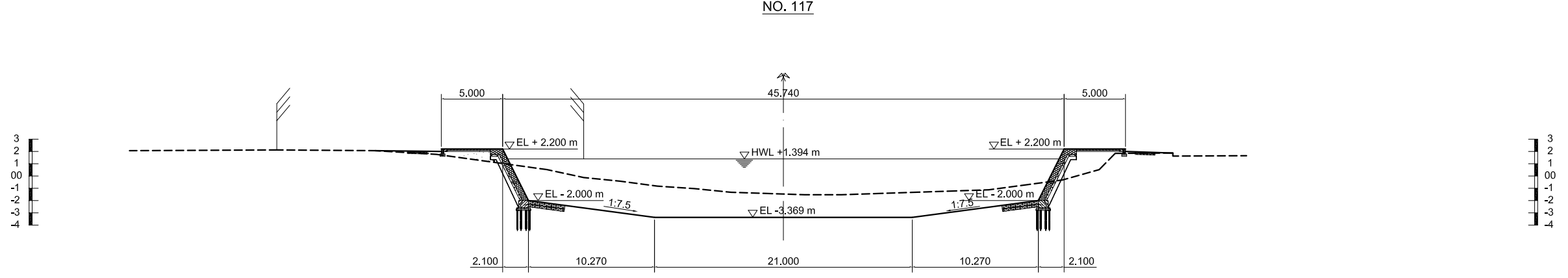
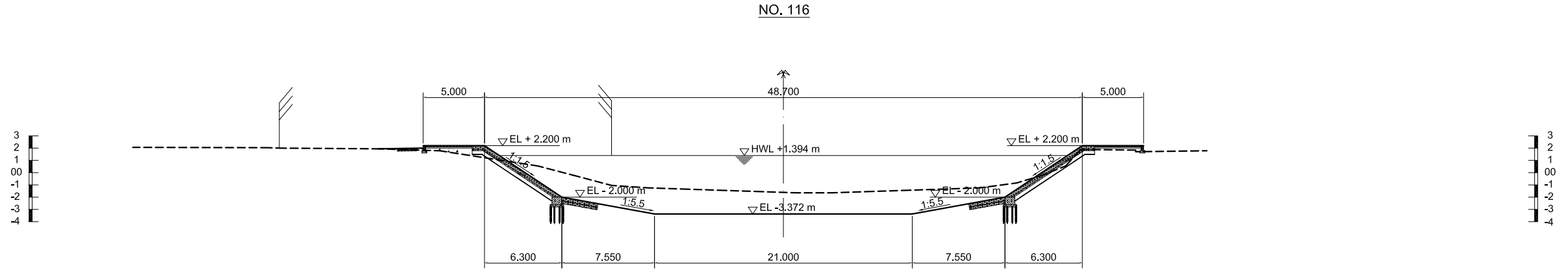
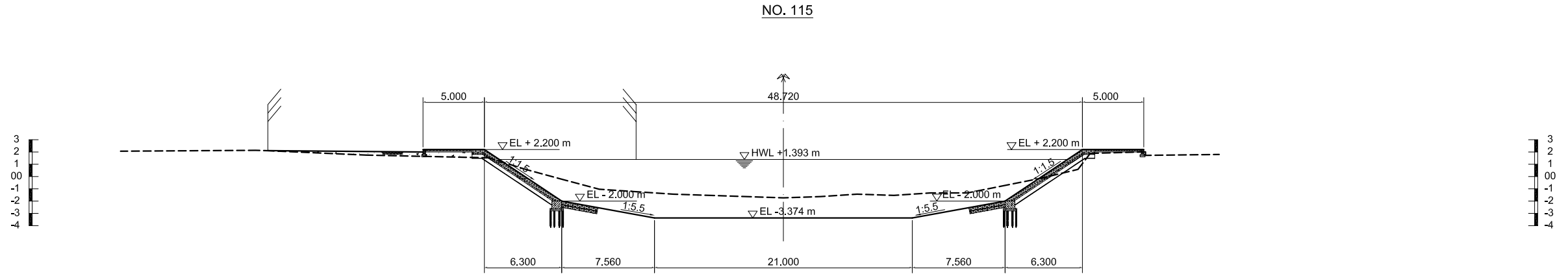
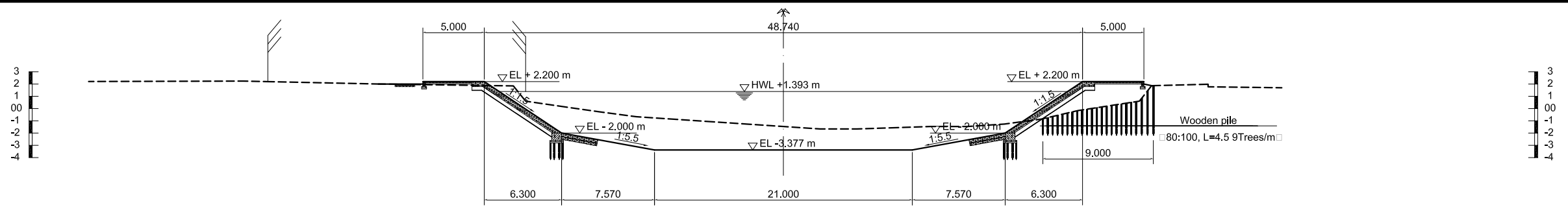
JICA JAPAN INTERNATIONAL COOPERATION  
AGENCY ( JICA )

PACIFIC CONSULTANTS INTERNATIONAL

DESIGNED  
TOKUMASU TOSHIAKI

CHECKED  
KONDO MASAMI

DATE : JUNE 2001 DWG. No. PA - THBNCI - 237



NO.	DATE	DESCRIPTIONS	BY	APPRO.

REVISIONS

PROJECT MANAGEMENT UNIT FOR  
HO CHI MINH CITY  
WATER ENVIRONMENT IMPROVEMENT

THE DETAILED DESIGN ON HO CHI MINH CITY  
WATER ENVIRONMENT IMPROVEMENT PROJECT  
IN THE SOCIALIST REPUBLIC OF VIET NAM

PACKAGE A  
TAU HU - BEN NGHE CANAL IMPROVEMENT  
CROSS SECTION  
(No. 115 ~ No. 119)

SCALE : 1 / 200

JAPAN INTERNATIONAL COOPERATION  
AGENCY (JICA)



DESIGNED TOKUMASU TOSHIAKI	CHECKED KONDO MASAMI
-------------------------------	-------------------------

DATE : JUNE 2001      DWG. No. PA - THBNCI - 238