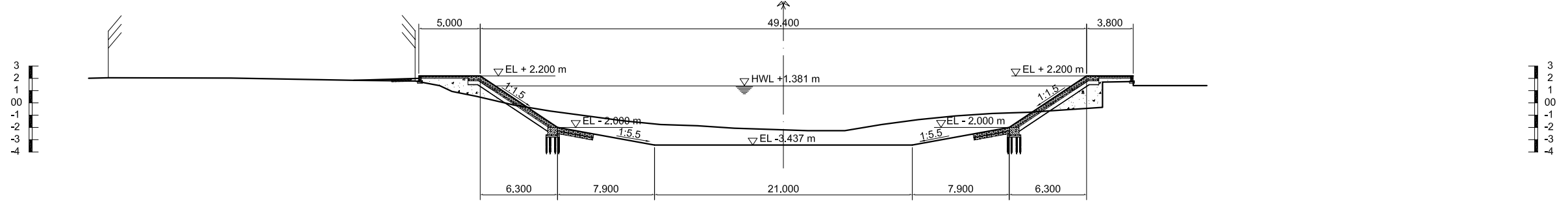
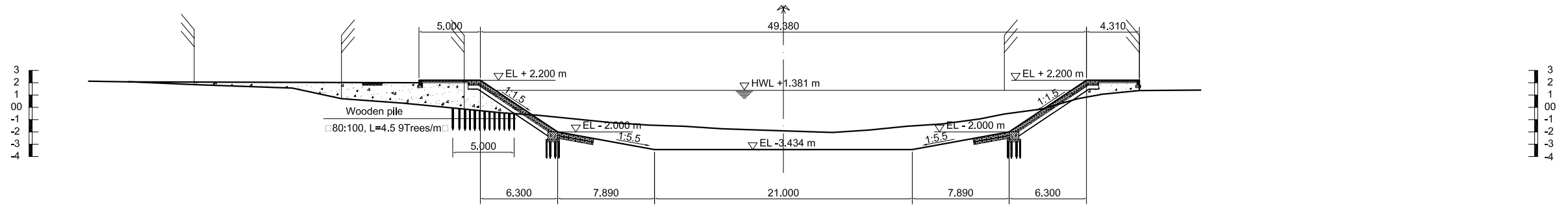


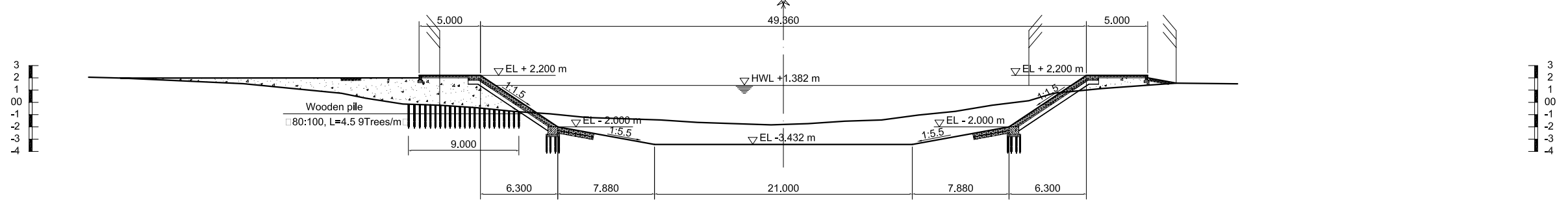
NO. 90



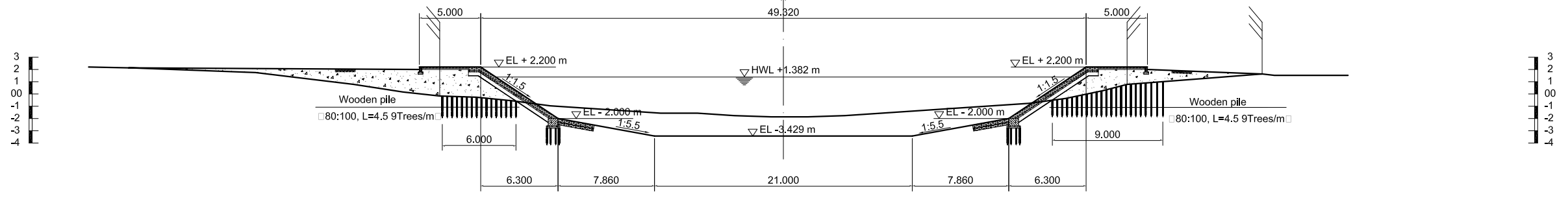
NO. 91



NO. 92



NO. 93



NO. 94

NO.	DATE	DESCRIPTIONS	BY	APPRO.

REVISIONS

PROJECT MANAGEMENT UNIT FOR  
HO CHI MINH CITY  
WATER ENVIRONMENT IMPROVEMENT

THE DETAILED DESIGN ON HO CHI MINH CITY  
WATER ENVIRONMENT IMPROVEMENT PROJECT  
IN THE SOCIALIST REPUBLIC OF VIET NAM

PACKAGE A  
TAU HU - BEN NGHE CANAL IMPROVEMENT  
CROSS SECTION  
(No. 90 ~ No. 94)

SCALE : 1 / 200

JAPAN INTERNATIONAL COOPERATION  
AGENCY ( JICA )

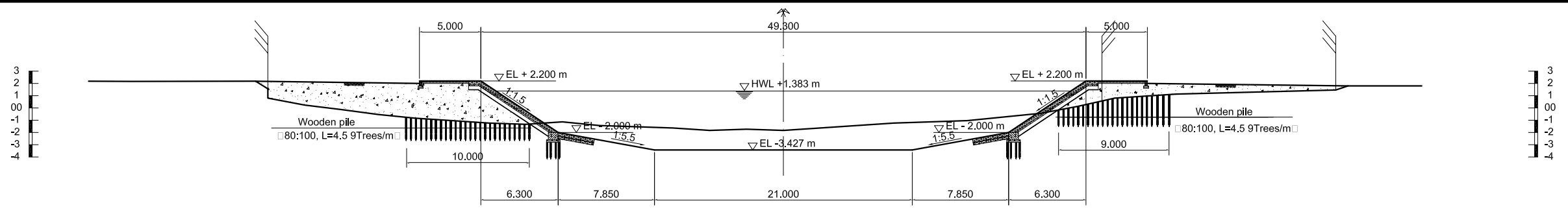


DESIGNED  
TOKUMASU TOSHIAKI

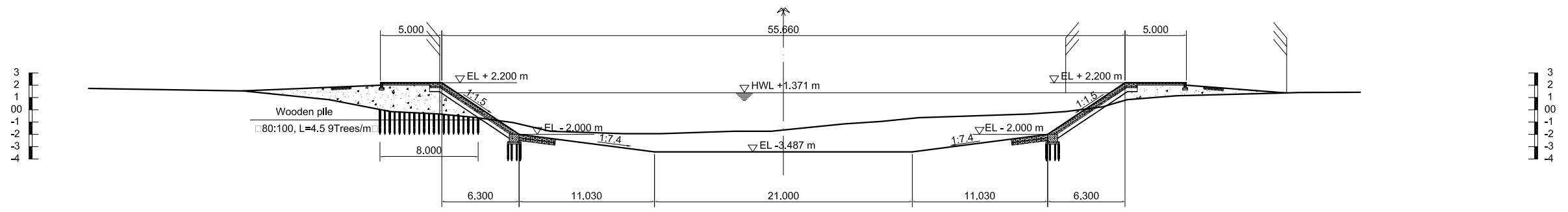
CHECKED  
KONDO MASAMI

DATE : JUNE 2001

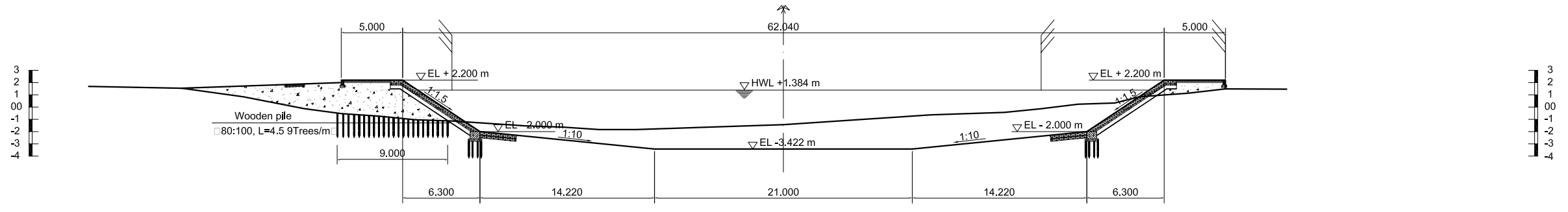
DWG. No. PA - THBNCI - 233



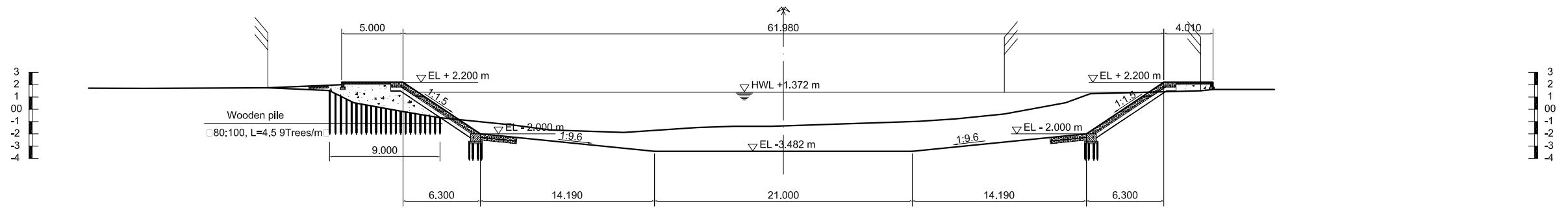
NO. 95



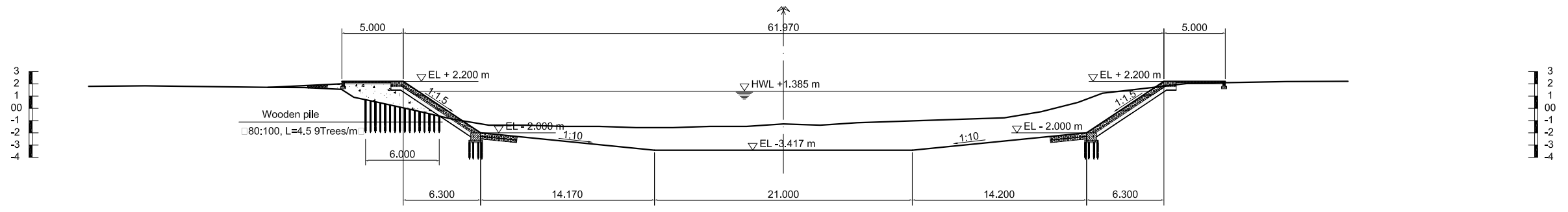
NO. 96



NO. 97



NO. 98



NO. 99

NO.	DATE	DESCRIPTIONS	BY	APPRO.

REVISIONS

PROJECT MANAGEMENT UNIT FOR  
HO CHI MINH CITY  
WATER ENVIRONMENT IMPROVEMENT

THE DETAILED DESIGN ON HO CHI MINH CITY  
WATER ENVIRONMENT IMPROVEMENT PROJECT  
IN THE SOCIALIST REPUBLIC OF VIET NAM

PACKAGE A  
TAU HU - BEN NGHE CANAL IMPROVEMENT  
CROSS SECTION  
( No. 95 ~ No. 99 )

SCALE : 1 / 200

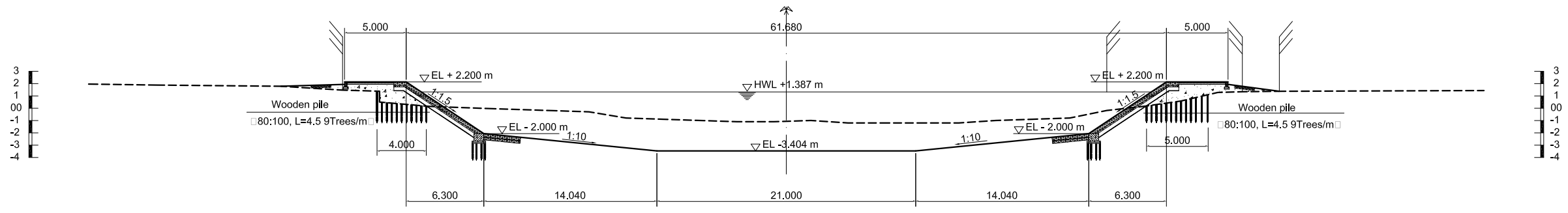
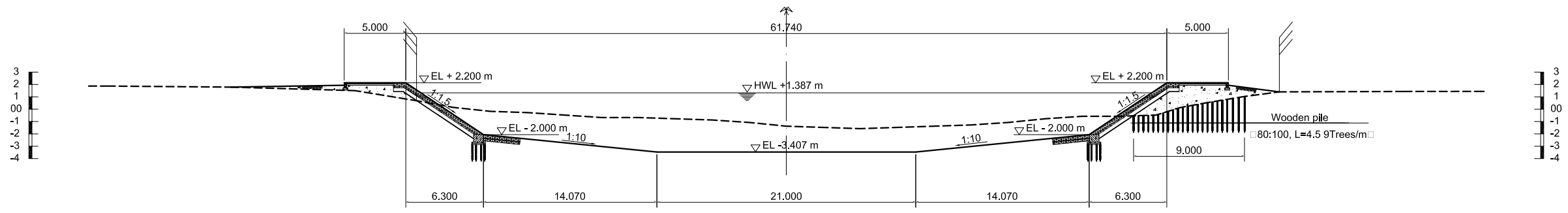
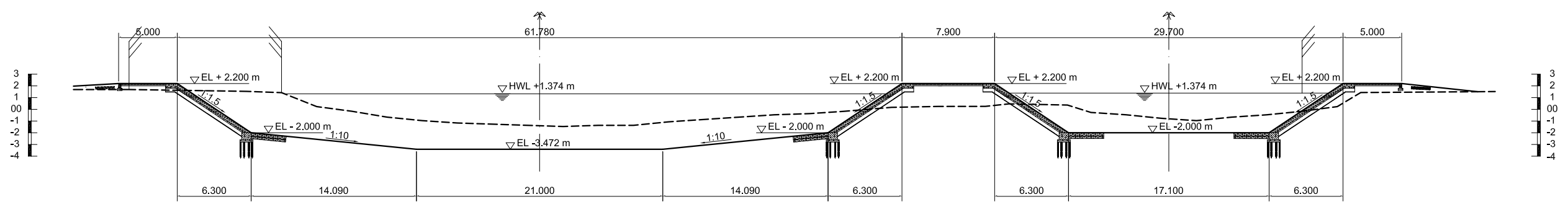
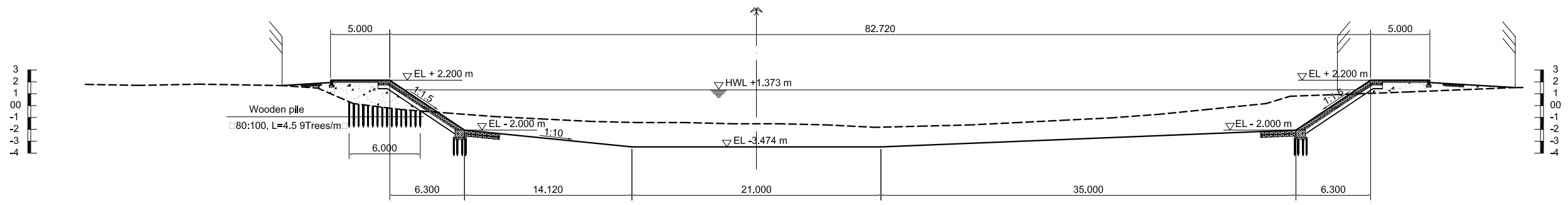
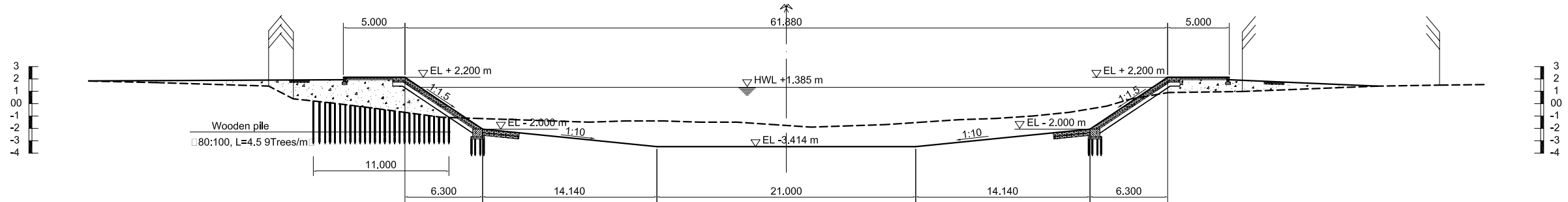
JICA JAPAN INTERNATIONAL COOPERATION  
AGENCY ( JICA )

PACIFIC CONSULTANTS INTERNATIONAL

DESIGNED  
TOKUMASU TOSHIAKI

CHECKED  
KONDO MASAMI

DATE : JUNE 2001 DWG. No. PA - THBNCI - 234



NO.	DATE	DESCRIPTIONS	BY	APRO.

REVISIONS

PROJECT MANAGEMENT UNIT FOR  
HO CHI MINH CITY  
WATER ENVIRONMENT IMPROVEMENT

THE DETAILED DESIGN STUDY ON HO CHI MINH CITY  
WATER ENVIRONMENT IMPROVEMENT PROJECT  
IN THE SOCIALIST REPUBLIC OF VIET NAM

PACKAGE A  
TAU HU - BEN NGHE CANAL IMPROVEMENT  
CROSS SECTION  
(No. 100 ~ No. 104)

SCALE : 1/200

JICA JAPAN INTERNATIONAL COOPERATION  
AGENCY (JICA)

PACIFIC CONSULTANTS INTERNATIONAL

DESIGNED  
TOKUMASU TOSHIAKI

CHECKED  
KONDO MASAMI

DATE : JUNE 2001 DWG. No. PA - THBNCI - 235