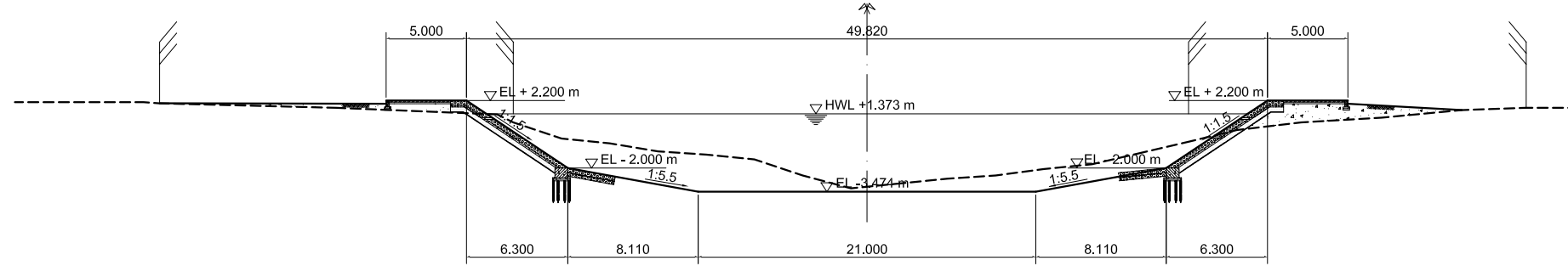
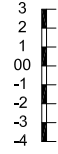
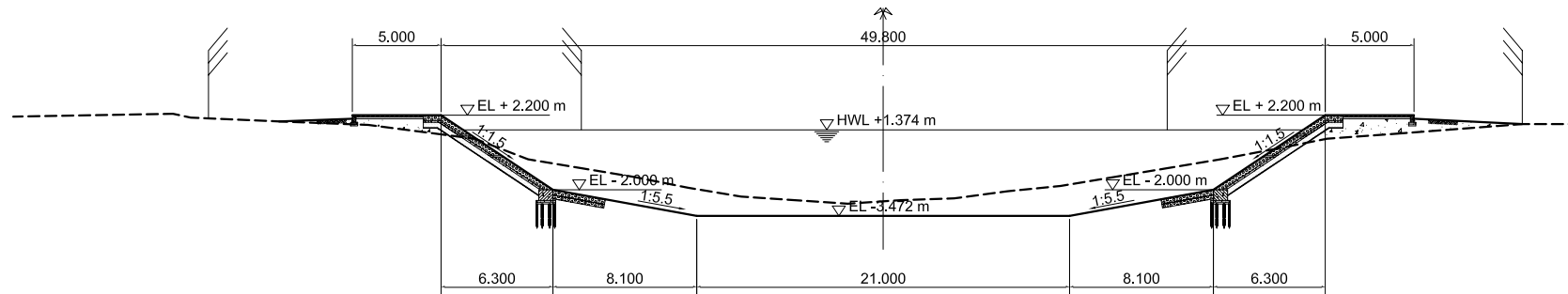
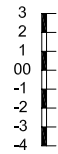
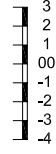


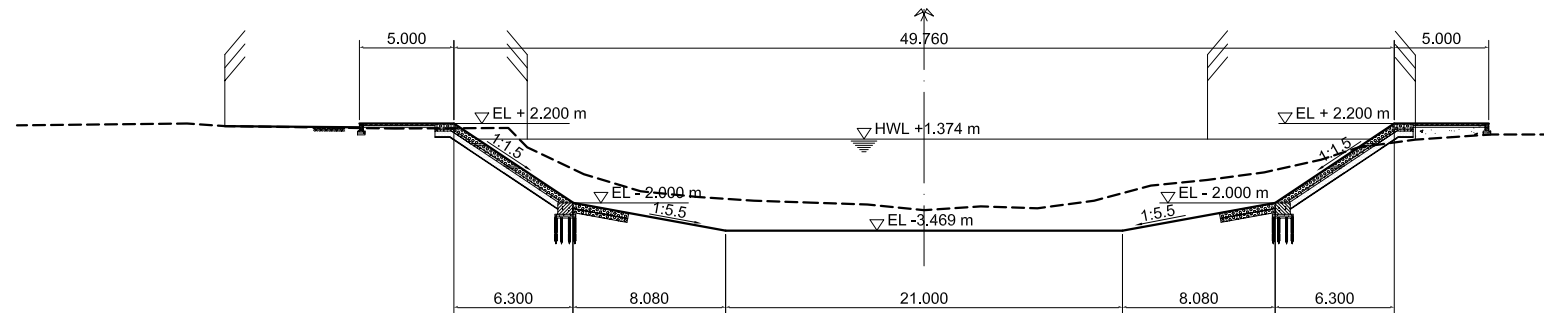
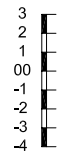
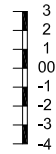
NO. 75



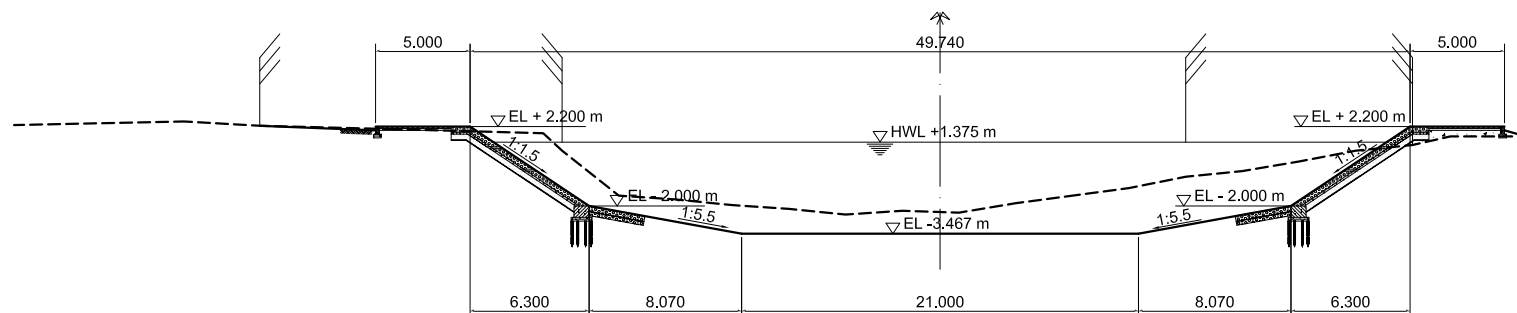
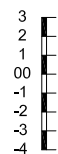
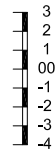
NO. 76



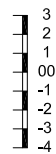
NO. 77



NO. 78



NO. 79




NO.	DATE	DESCRIPTIONS	BY	APRO.
-----	------	--------------	----	-------

REVISIONS

PROJECT MANAGEMENT UNIT FOR  
HO CHI MINH CITY  
WATER ENVIRONMENT IMPROVEMENT

THE DETAILED DESIGN STUDY ON HO CHI MINH CITY  
WATER ENVIRONMENT IMPROVEMENT PROJECT  
IN THE SOCIALIST REPUBLIC OF VIET NAM

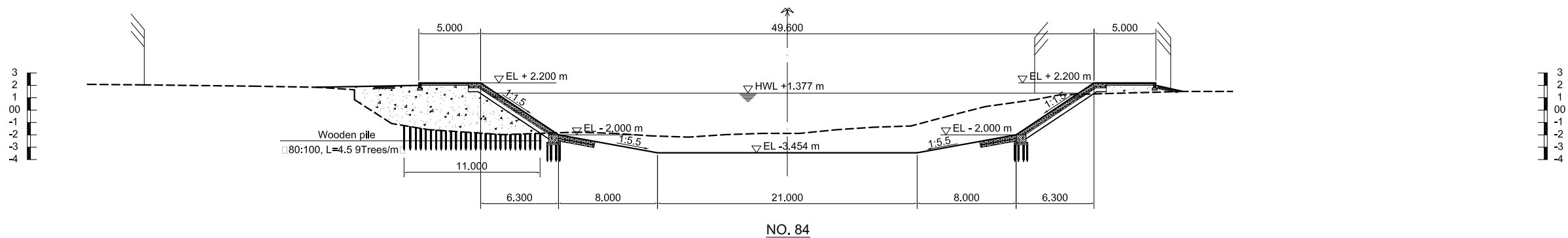
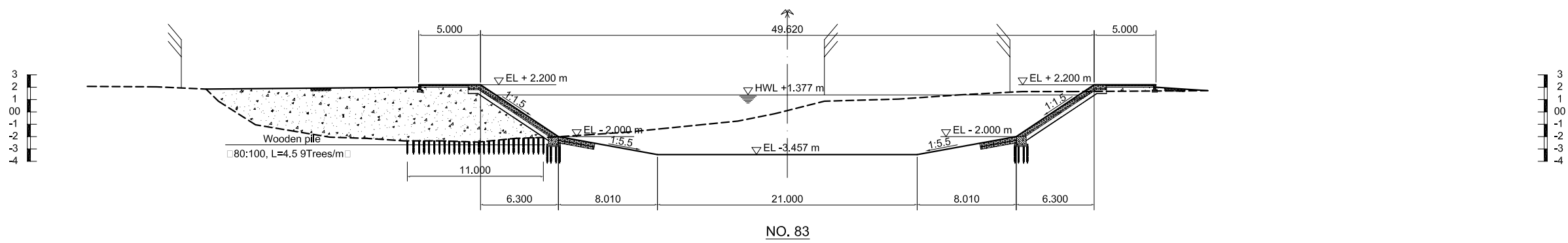
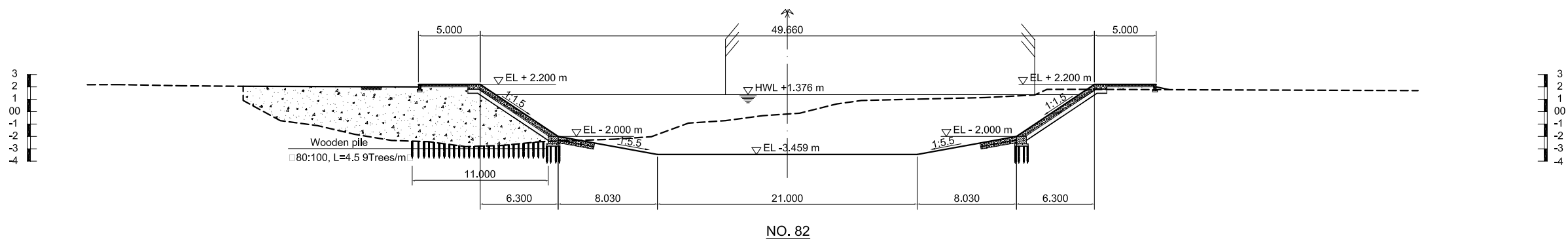
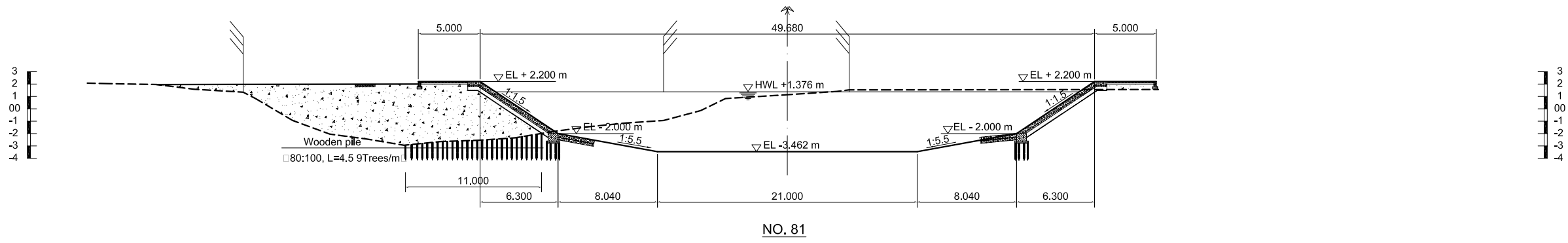
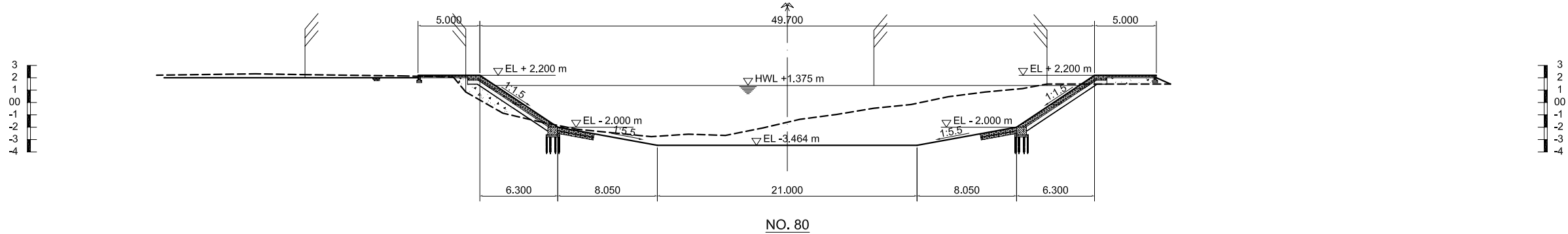
PACKAGE A  
TAU HU - BEN NGHE CANAL IMPROVEMENT  
CROSS SECTION  
(No. 75 ~ No. 79)

SCALE : 1 / 200

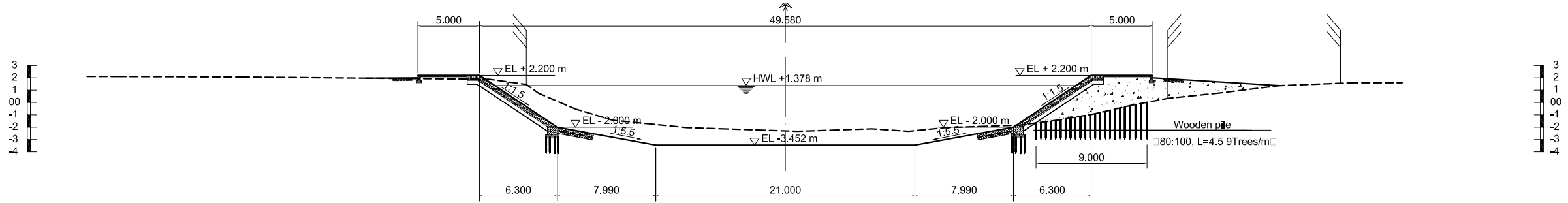
JAPAN INTERNATIONAL COOPERATION AGENCY (JICA)

PACIFIC CONSULTANTS INTERNATIONAL

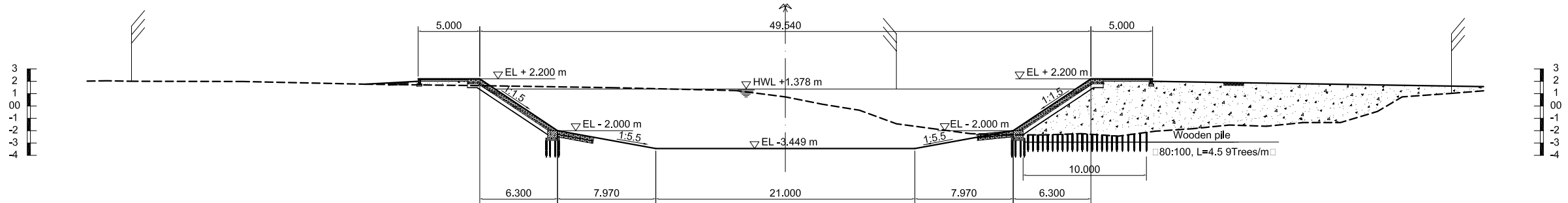
DESIGNED TOKUMASU TOSHIKI	CHECKED KONDO MASAMI
------------------------------	-------------------------



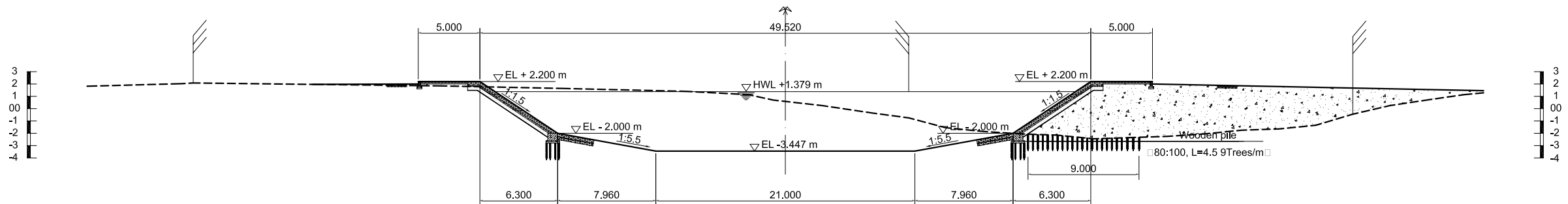
NO.	DATE	DESCRIPTIONS	BY	APRO.
REVISIONS				
PROJECT MANAGEMENT UNIT FOR HO CHI MINH CITY WATER ENVIRONMENT IMPROVEMENT				
THE DETAILED DESIGN ON HO CHI MINH CITY WATER ENVIRONMENT IMPROVEMENT PROJECT IN THE SOCIALIST REPUBLIC OF VIET NAM				
PACKAGE A TAU HU - BEN NGHE CANAL IMPROVEMENT CROSS SECTION ( No. 80 ~ No. 84 )				
SCALE : 1 / 200				
JAPAN INTERNATIONAL COOPERATION AGENCY ( JICA )				
PACIFIC CONSULTANTS INTERNATIONAL				
DESIGNED TOKUMASU TOSHIAKI		CHECKED KONDO MASAMI		
DATE : JUNE 2001		DWG. No. PA - THBNCI - 231		



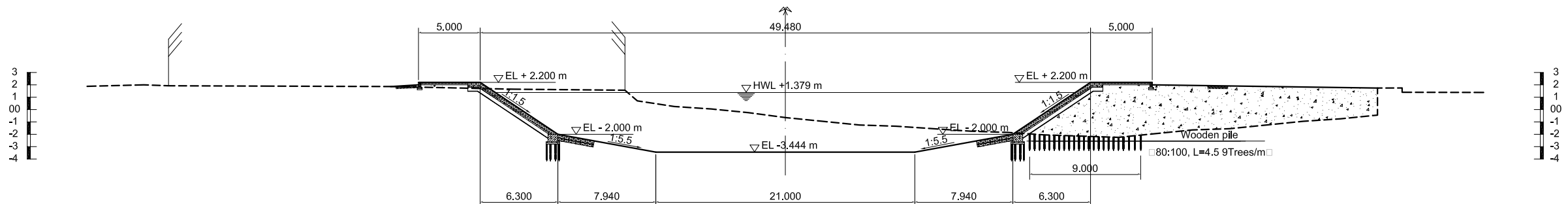
NO. 85



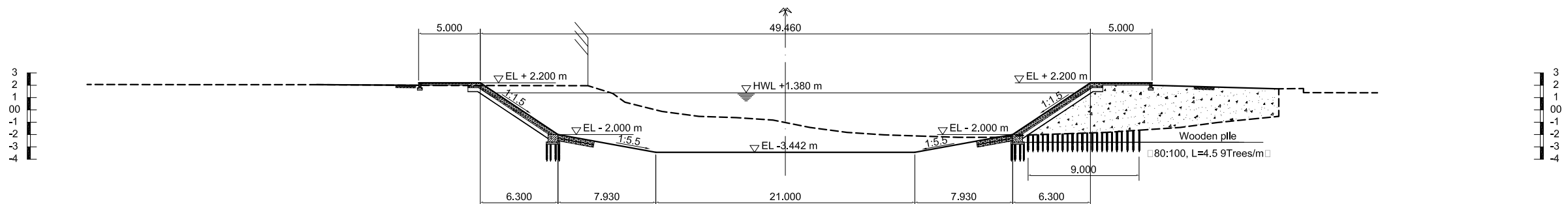
NO. 86



NO. 87



NO. 88



NO. 89

NO.	DATE	DESCRIPTIONS	BY	APPRO.


REVISIONS

PROJECT MANAGEMENT UNIT FOR  
HO CHI MINH CITY  
WATER ENVIRONMENT IMPROVEMENT

THE DETAILED DESIGN ON HO CHI MINH CITY  
WATER ENVIRONMENT IMPROVEMENT PROJECT  
IN THE SOCIALIST REPUBLIC OF VIET NAM

PACKAGE A  
TAU HU - BEN NGHE CANAL IMPROVEMENT  
CROSS SECTION  
(No. 85 ~ No. 89)

SCALE : 1 / 200

 JAPAN INTERNATIONAL COOPERATION  
AGENCY ( JICA )

 PACIFIC CONSULTANTS INTERNATIONAL

DESIGNED  
TOKUMASU TOSHIAKI

CHECKED  
KONDO MASAMI

DATE : JUNE 2001 DWG. No. PA - THBNCI - 232