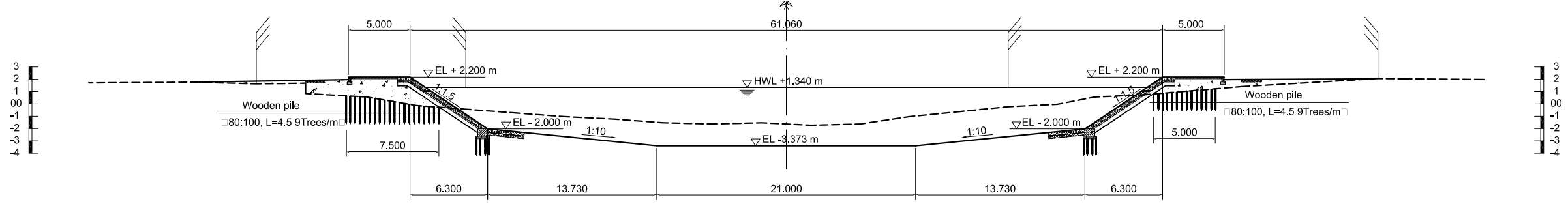
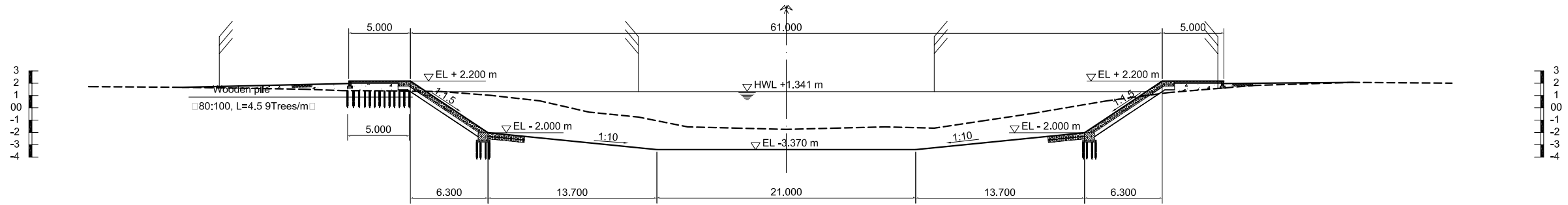


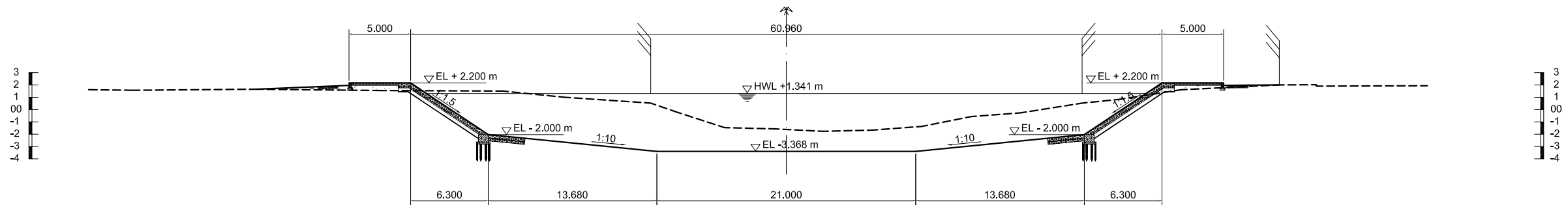
NO. 30



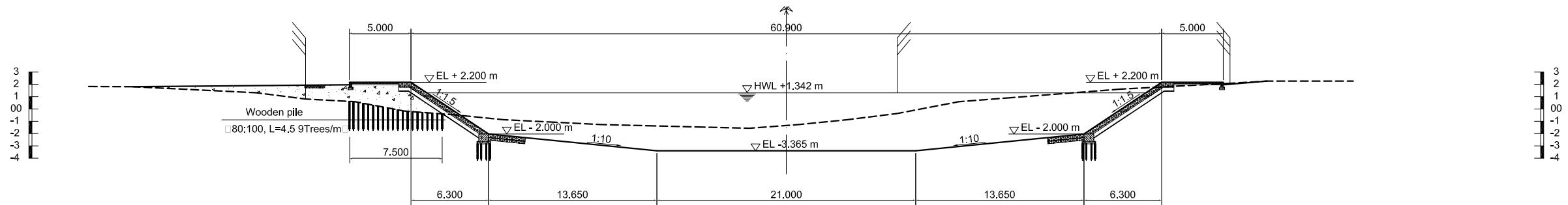
NO. 31



NO. 32



NO. 33



NO. 34

NO.	DATE	DESCRIPTIONS	BY	APRO.

REVISIONS

PROJECT MANAGEMENT UNIT FOR  
HO CHI MINH CITY  
WATER ENVIRONMENT IMPROVEMENT

THE DETAILED DESIGN ON HO CHI MINH CITY  
WATER ENVIRONMENT IMPROVEMENT PROJECT  
IN THE SOCIALIST REPUBLIC OF VIET NAM

PACKAGE A  
TAU HU - BEN NGHE CANAL IMPROVEMENT  
CROSS SECTION  
( No. 30 ~ No. 34 )

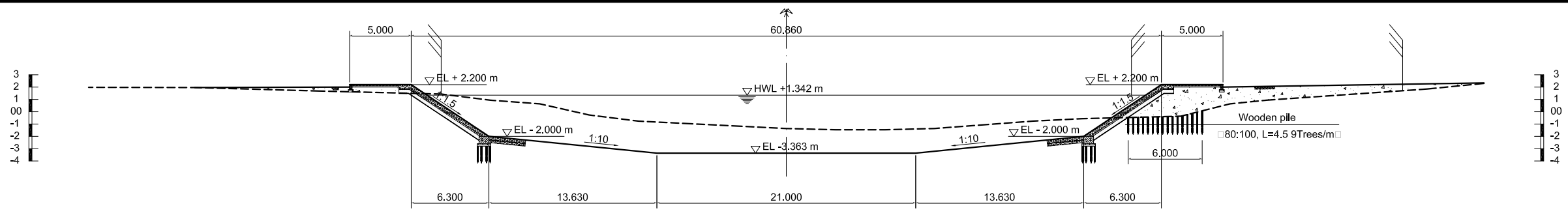
SCALE : 1/200

JICA JAPAN INTERNATIONAL COOPERATION  
AGENCY ( JICA )

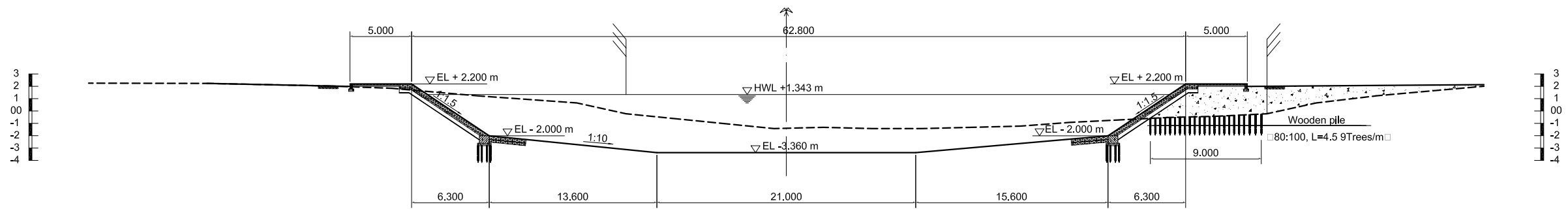
PACIFIC CONSULTANTS INTERNATIONAL

DESIGNED TOKUMASU TOSHIAKI	CHECKED KONDO MASAMI
-------------------------------	-------------------------

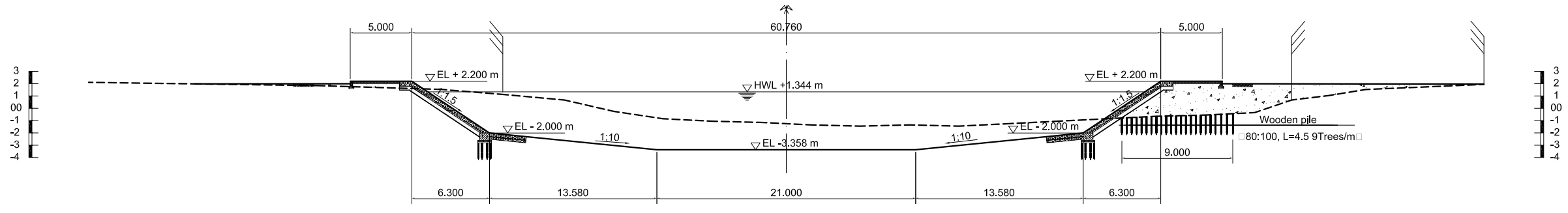
DATE : JUNE 2001 DWG. No. PA - THBNCI - 221



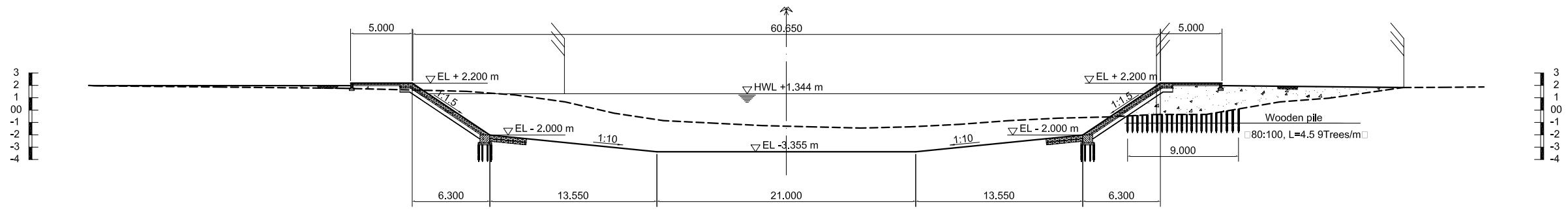
NO. 35



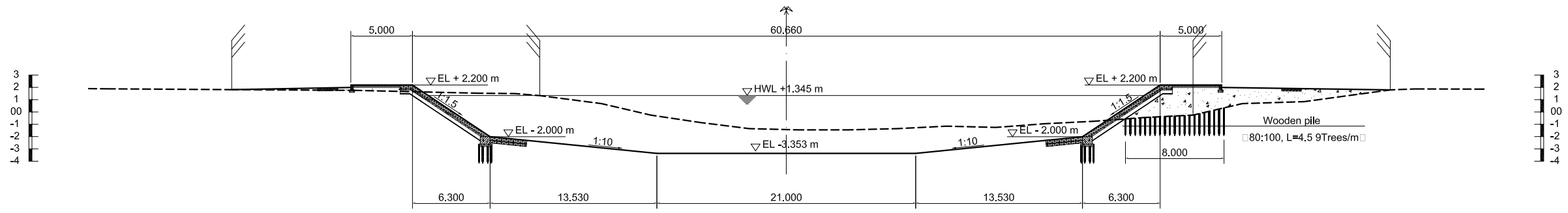
NO. 36



NO. 37



NO. 38



NO. 39

NO.	DATE	DESCRIPTIONS	BY	APRO.

REVISIONS

PROJECT MANAGEMENT UNIT FOR  
HO CHI MINH CITY  
WATER ENVIRONMENT IMPROVEMENT

THE DETAILED DESIGN ON HO CHI MINH CITY  
WATER ENVIRONMENT IMPROVEMENT PROJECT  
IN THE SOCIALIST REPUBLIC OF VIET NAM

PACKAGE A  
TAU HU - BEN NGHE CANAL IMPROVEMENT  
CROSS SECTION  
(No. 35 ~ No. 39)

SCALE : 1/200

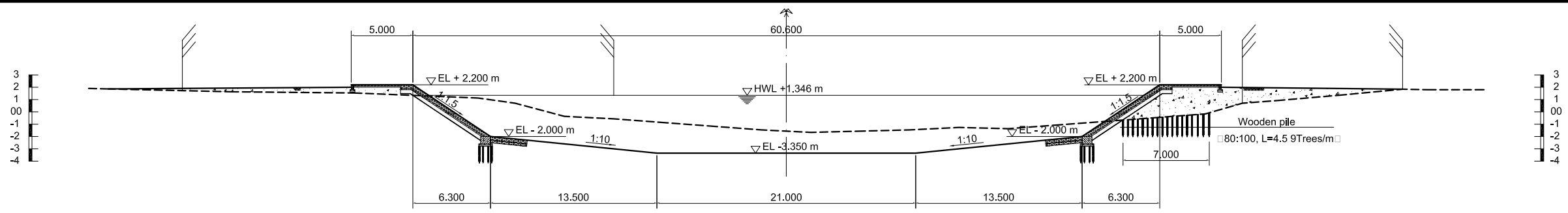
JICA JAPAN INTERNATIONAL COOPERATION  
AGENCY ( JICA )

PACIFIC CONSULTANTS INTERNATIONAL

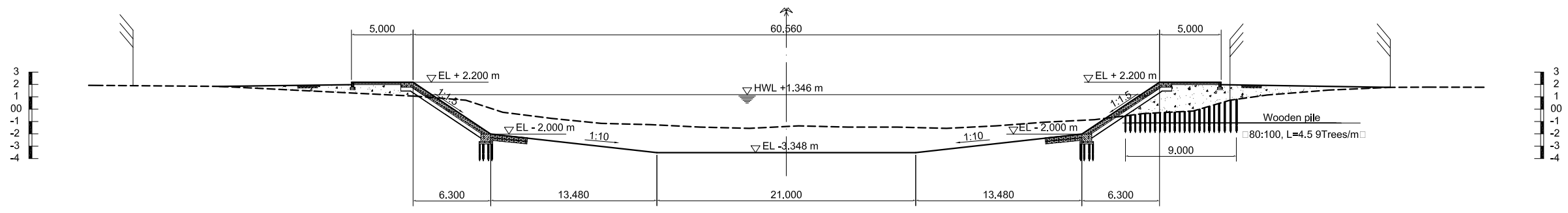
DESIGNED  
TOKUMASU TOSHIAKI

CHECKED  
KONDO MASAMI

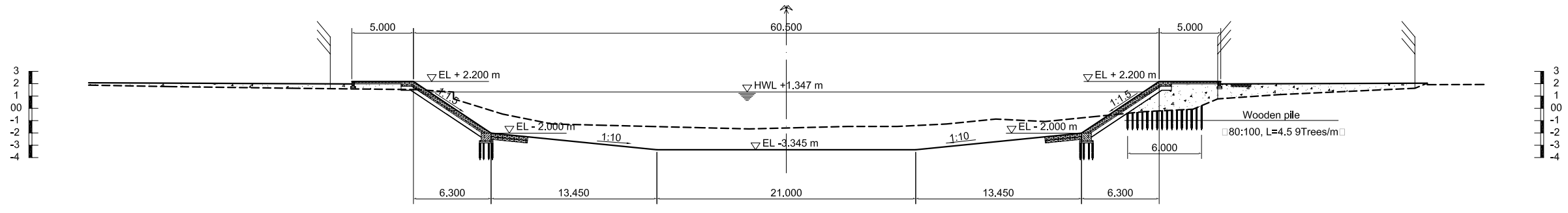
DATE : JUNE 2001 DWG. No. PA - THBNCI - 222



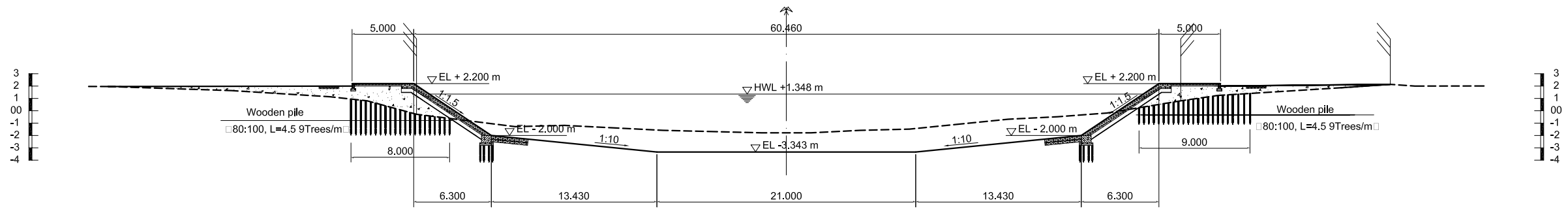
NO. 40



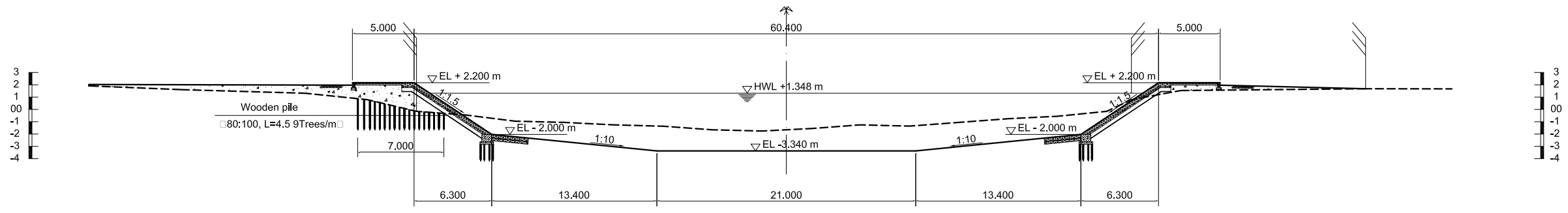
NO. 41



NO. 42



NO. 43



NO. 24


NO.	DATE	DESCRIPTIONS	BY	APRO.
-----	------	--------------	----	-------

REVISIONS

PROJECT MANAGEMENT UNIT FOR  
HO CHI MINH CITY  
WATER ENVIRONMENT IMPROVEMENT

THE DETAILED DESIGN ON HO CHI MINH CITY  
WATER ENVIRONMENT IMPROVEMENT PROJECT  
IN THE SOCIALIST REPUBLIC OF VIET NAM

PACKAGE A  
TAU HU - BEN NGHE CANAL IMPROVEMENT  
CROSS SECTION  
(No. 40 ~ No. 44)

SCALE : 1/200

JICA JAPAN INTERNATIONAL COOPERATION  
AGENCY (JICA)

PACIFIC CONSULTANTS INTERNATIONAL

DESIGNED TOKUMASU TOSHIAKI	CHECKED KONDO MASAMI
-------------------------------	-------------------------

DATE : JUNE 2001 DWG. No. PA - THBNCI - 223