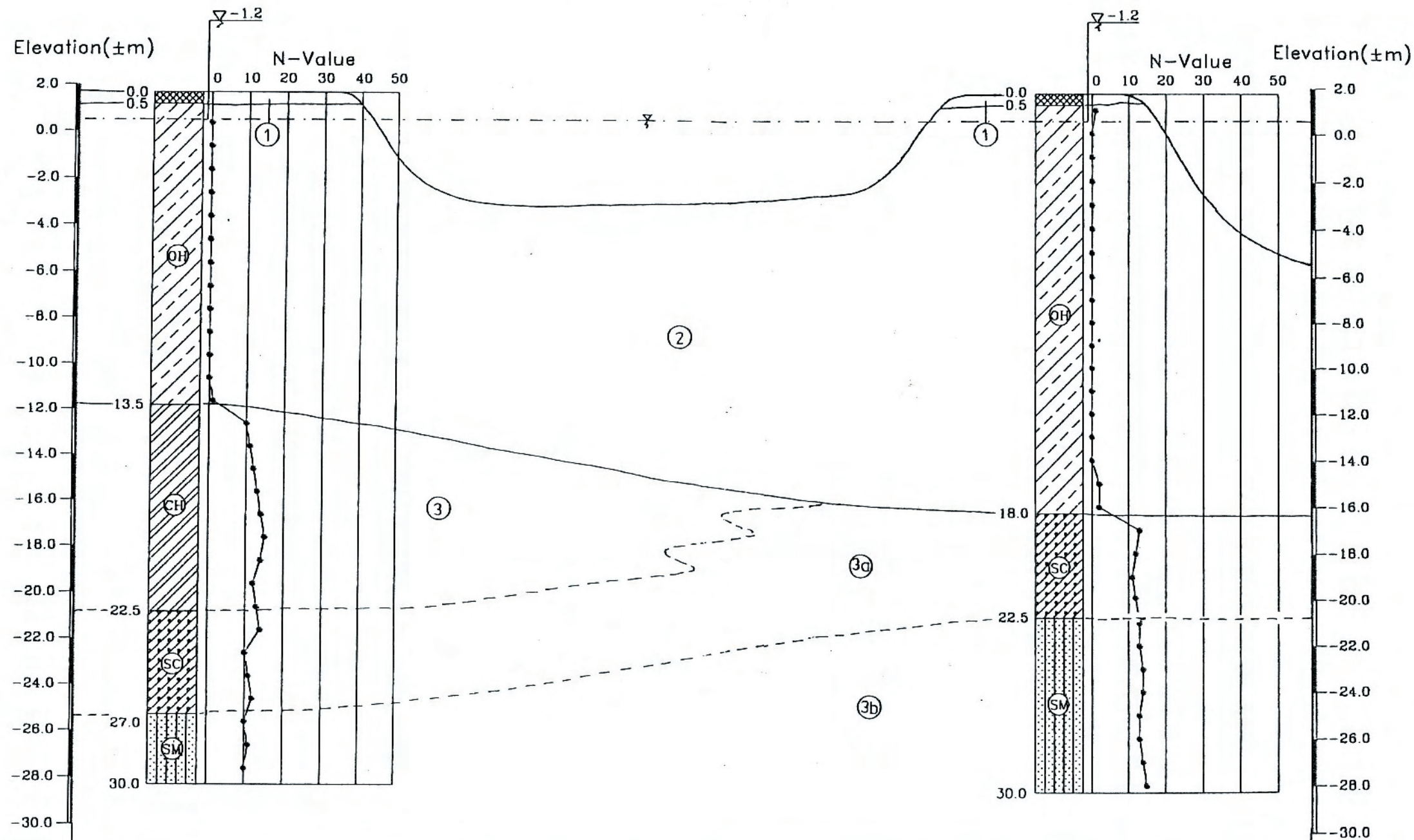


ENGINEERING GEOLOGY CROSS SECTION

Drainage Pump Station - Vissan

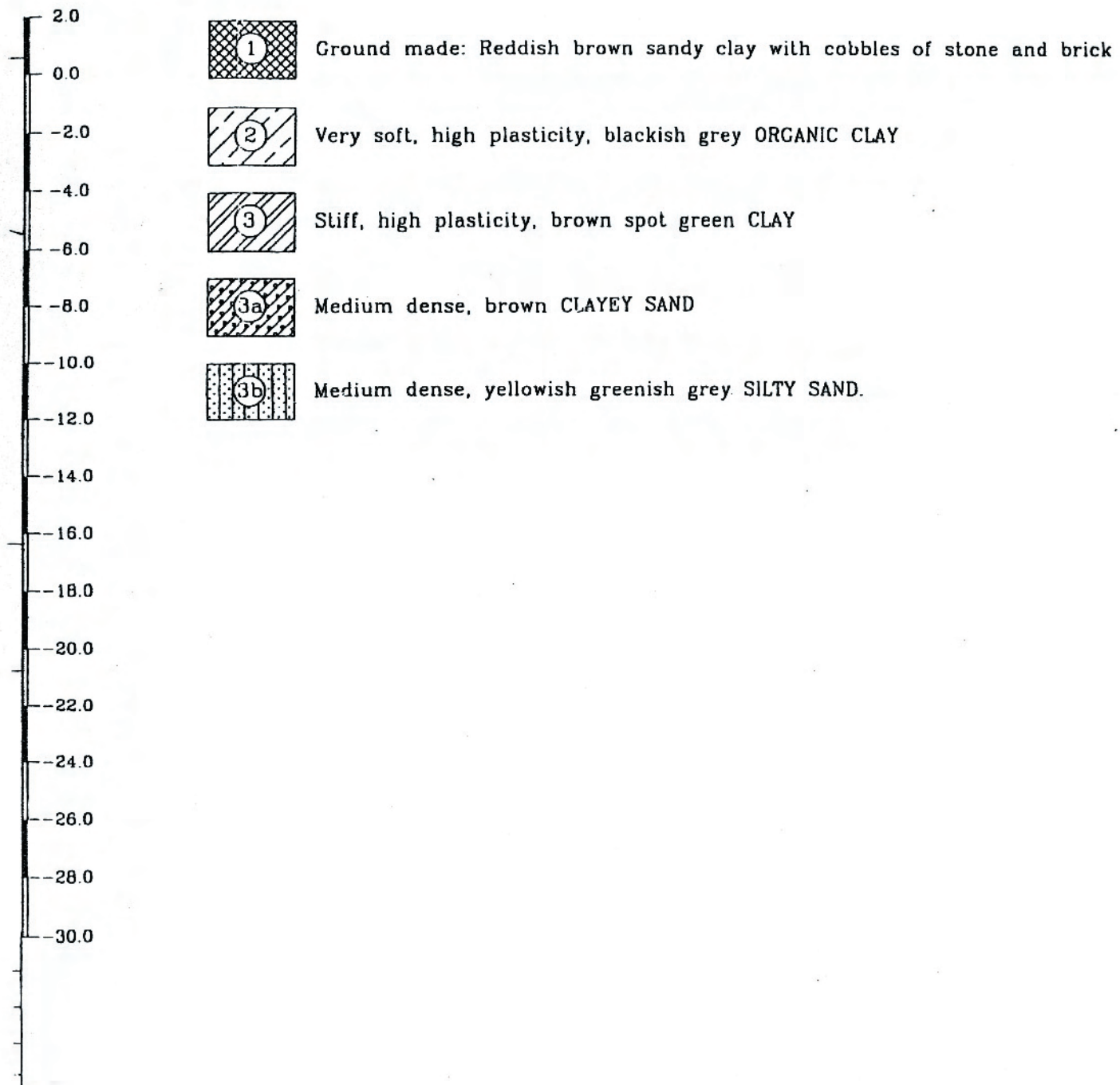
SCALE: VERTICAL 1/200
HORIZONTAL 1/2.000

LEG



BORING NUMBER	UV-02	UV-01
DEPTH (m)	30	30
ELEVATION (m)	1.66	1.74
DISTANCE (m)	380	

LEGEND

Elevation(\pm m)

4 . PHYSICO - MECHANICAL CHARACTERISTIC

Determination the physico-mechanical characteristic of the soil samples was carried out in the laboratory for all of soil samples were taken at the boreholes:

+ The physical characteristics include grain size, natural water content, natural unit weight, dry unit weight, specific gravity, porosity, void ratio, degree saturation, liquid limit, plastic limit, plastic index and liquidity index.

+ The mechanical characteristics include unconfined compression strength, compression index, coefficient of consolidation, preconsolidation pressure, coefficient of compressibility and coefficient of permeability.

4.1 . Summary of laboratory test on borings.

4.2 . Bearing capacity of foundation.

4.3 . Obstacle during drilling.

4 . 1 SUMMARY OF LABORATORY TEST ON BORINGS

Boring Number	Page
UV-01	47
UV-02	48