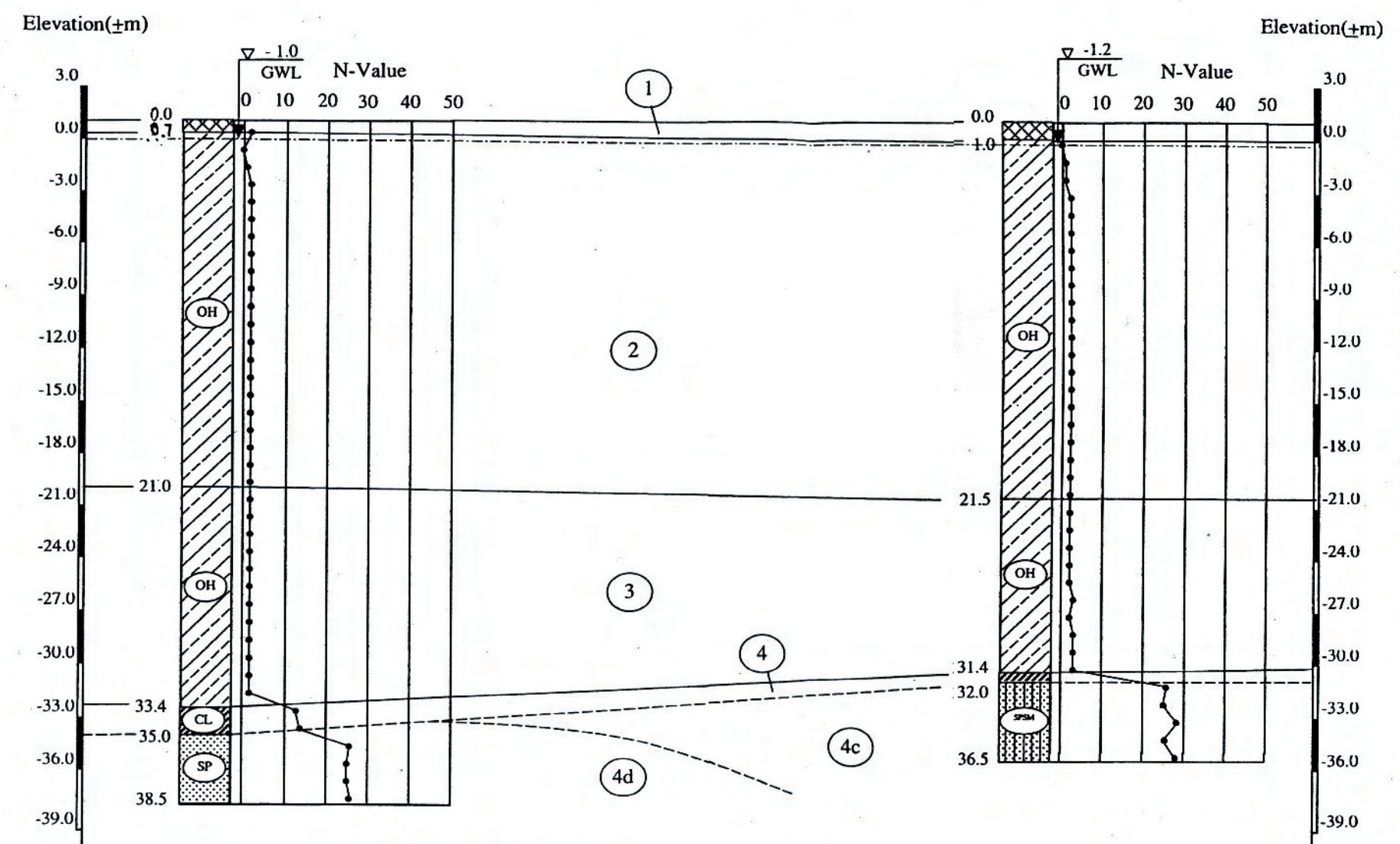


ENGINEERING GEOLOGY CROSS SECTION IV-IV
 Wastewater Treatment Plant Site
 SCALE: Vertical 1/300
 Horizontal 1/2500



LEGEND

- 1 Ground made : Light brown ORGANIC CLAY
- 2 Very soft, high plasticity blackish grey ORGANIC CLAY
- 3 Soft, high plasticity blackish grey ORGANIC CLAY
- 4 Stiff, low plasticity, yellowish brownish grey SANDY LEAN CLAY
- 4c Dense, yellowish white grey POORLY GRADED SAND with SILT
- 4d Dense, white POORLY GRADED SAND

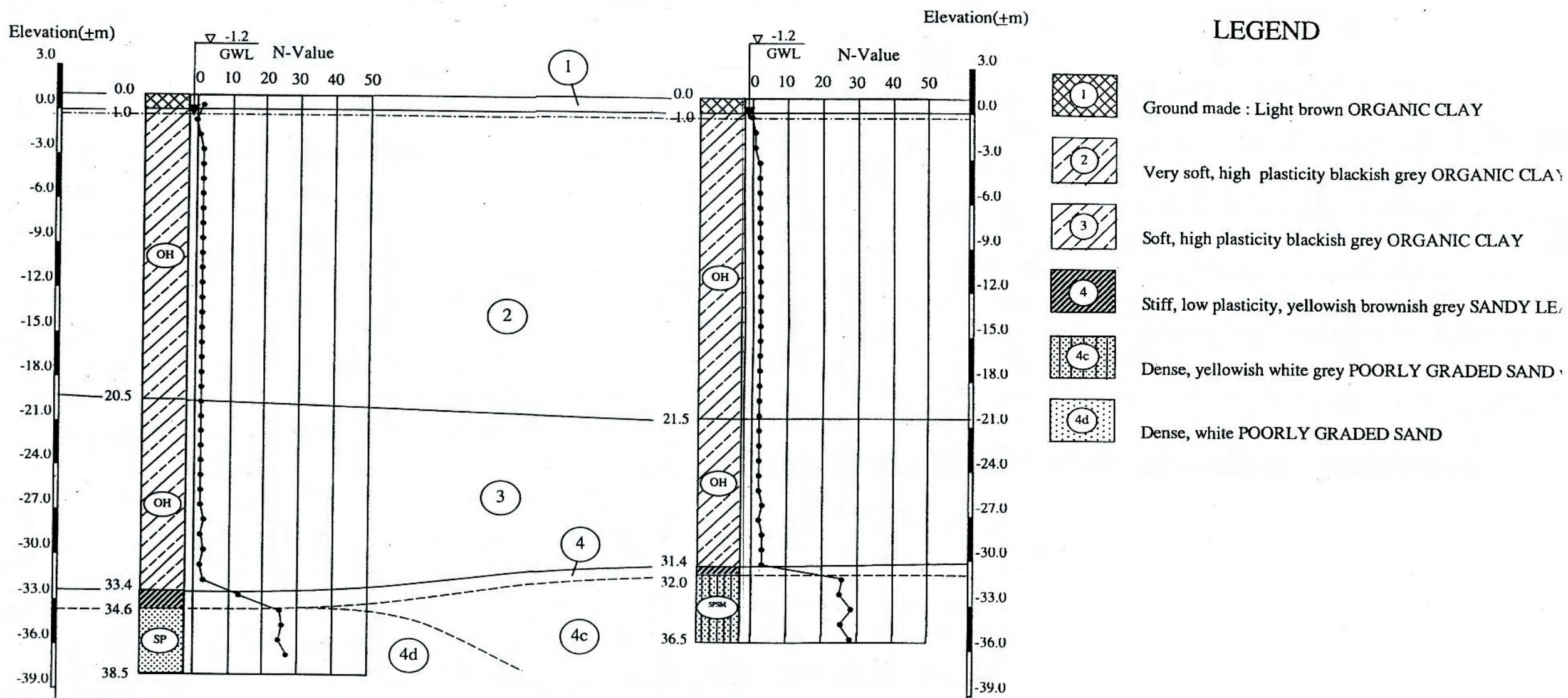
BORING NUMBER	DST(1)-05	DST(1)-03
DEPTH (m)	38.5	36.5
ELEVATION (m)		
X	574269.86	574027.20
Y	184896.56	185361.61
Z	1.42	1.27
DISTANCE (m)	470	

ENGINEERING GEOLOGY CROSS SECTION V-V





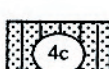
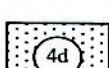
Wastewater Treatment Plant Site

SCALE: Vertical 1/300

Horizontal 1/2500



LEGEND

-  1 Ground made : Light brown ORGANIC CLAY
-  2 Very soft, high plasticity blackish grey ORGANIC CLAY
-  3 Soft, high plasticity blackish grey ORGANIC CLAY
-  4 Stiff, low plasticity, yellowish brownish grey SANDY LE...
-  4c Dense, yellowish white grey POORLY GRADED SAND
-  4d Dense, white POORLY GRADED SAND

BORING NUMBER	DST(1)-04		DST(1)-03	
DEPTH (m)	38.5		36.5	
ELEVATION (m)	X	573902.15	574027.20	
	Y	185065.35	185361.61	
	Z	1.31	1.27	
DISTANCE (m)	330			