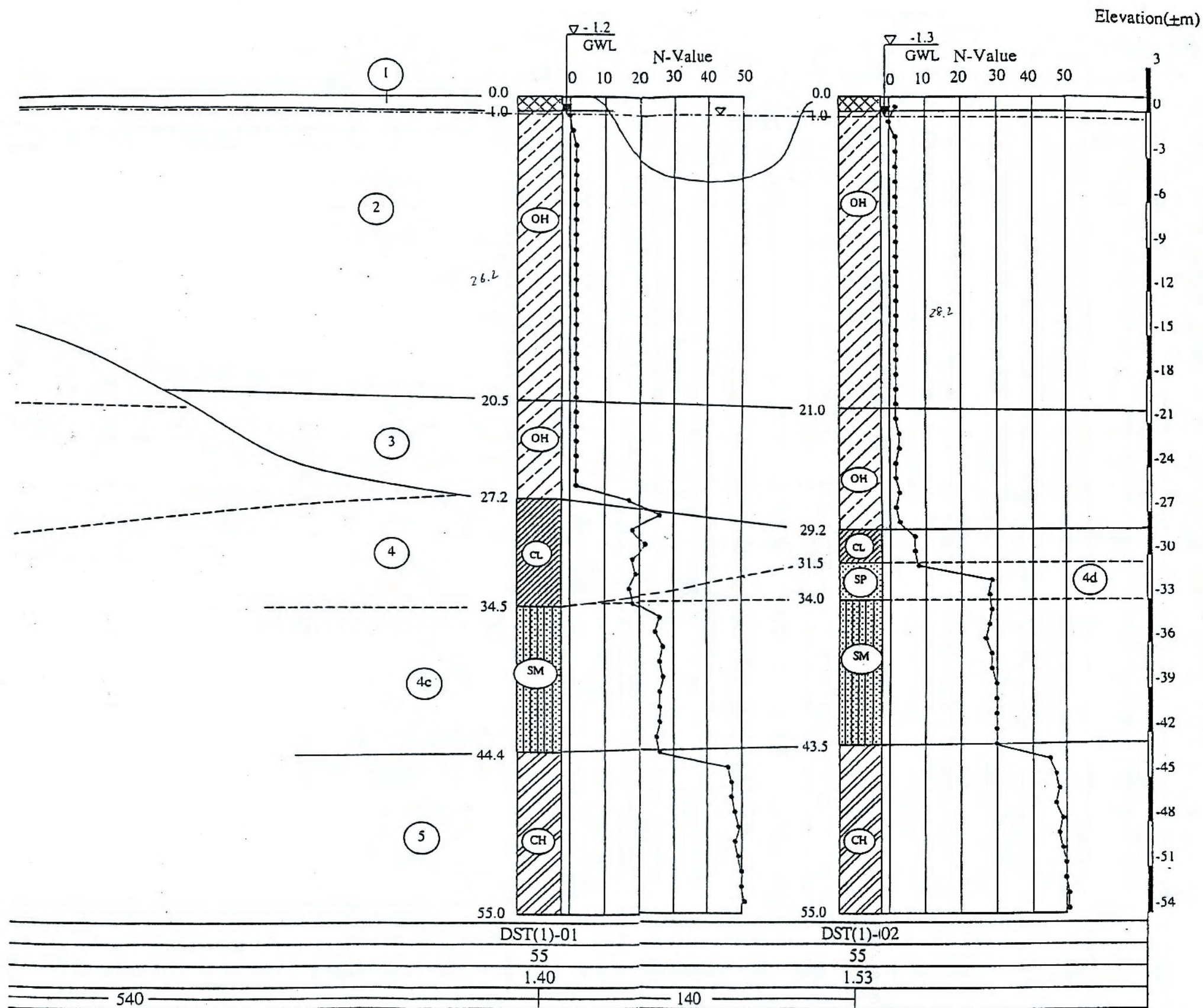


SC-08	DSC-05	SC-09
30	30	30
2.00	1.43	1.62
380	420	



LEGEND

- 1 Ground made : Soft, blackish grey SANDY CLAY
- 2 Very soft, high plasticity, blackish grey ORGANIC CLAY
- 3 Very soft, high plasticity, blackish grey ORGANIC CLAY
- 3a Very loose, blackish grey CLAYEY SAND
- 4 Stiff, low plasticity yellowish grey CLAY
- 4a Very stiff, high plasticity yellowish grey CLAY
- 4b Medium dense, yellowish whitish grey CLAYER SAND
- 4c Medium dense, yellowish brownish grey SILTY SAND
- 4d Medium dense whitish grey POORLY GRADED SAND
- 5 Hard, high plasticity yellowish grey SANDY CLAY