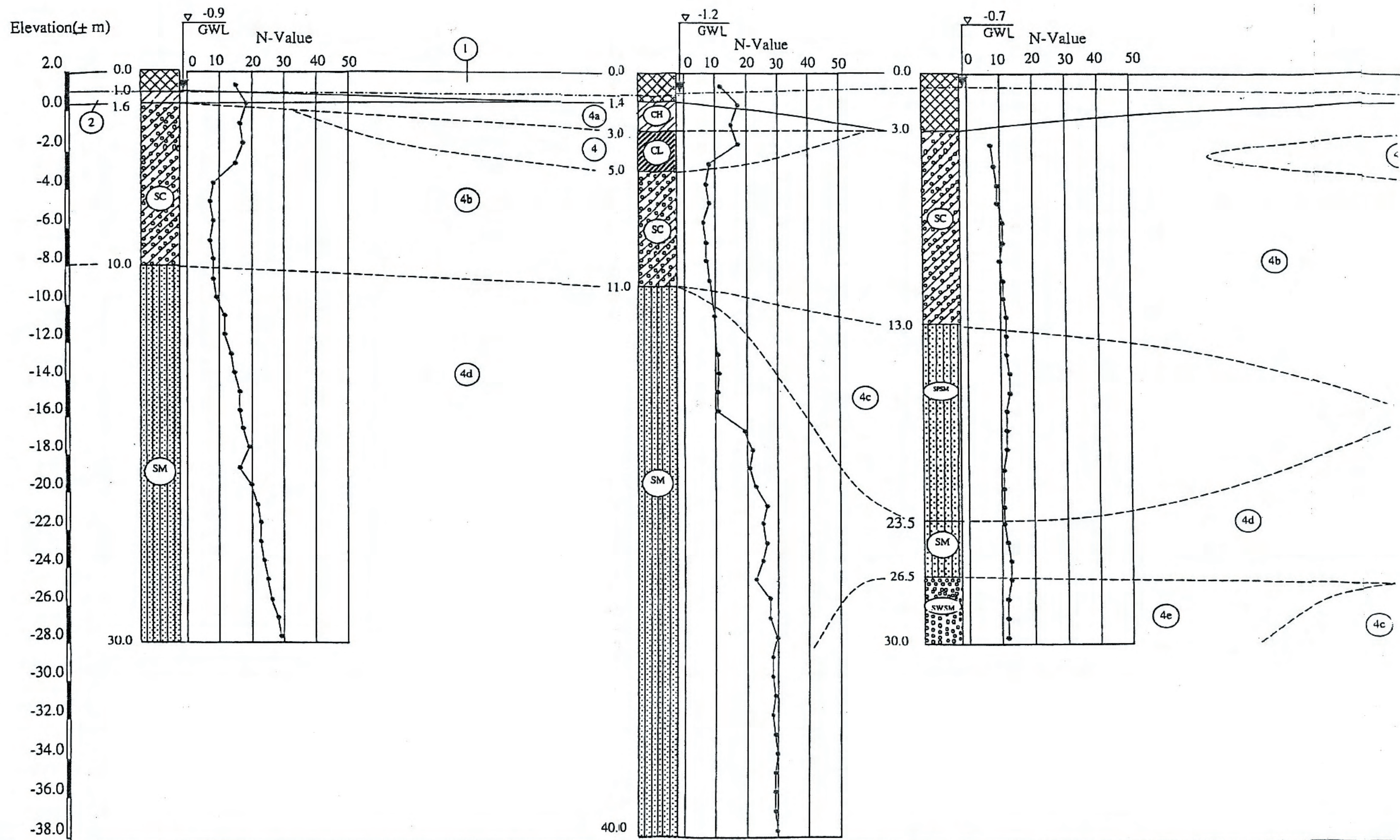
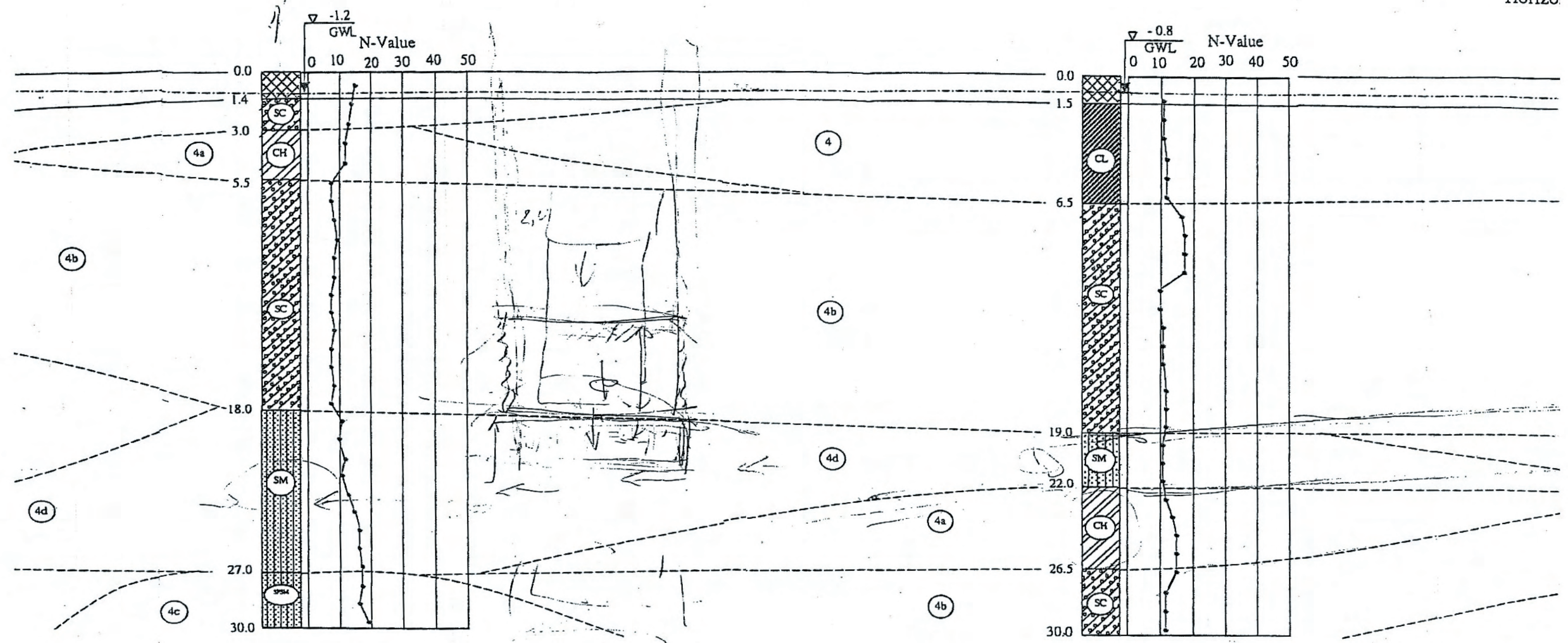


### **3. ENGINEERING GEOLOGICAL CROSS SECTION**



BORING NUMBER	DSS-05	DSS-04	SS-06
DEPTH (m)	30	40	30
ELEVATION (m)	1.73	1.99	1.73
DISTANCE (m)	330	50	360



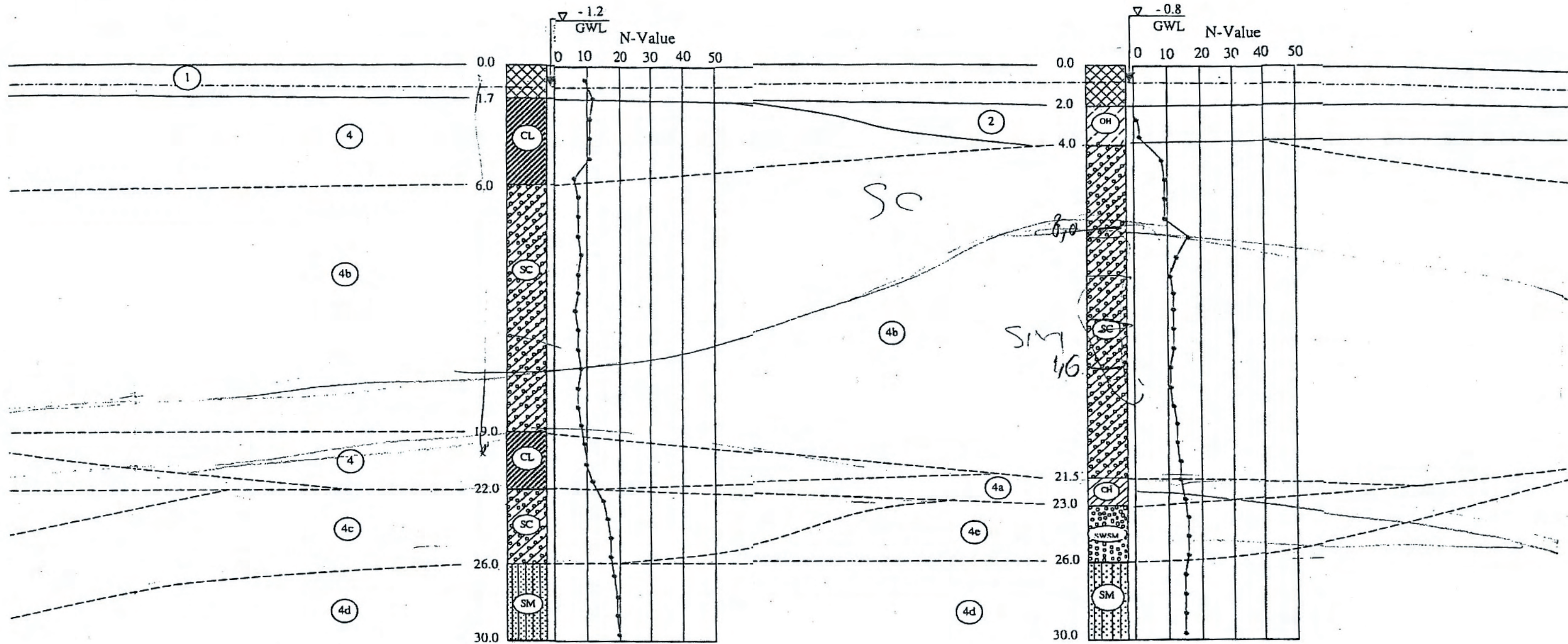
DSS-03		SS-05	
30		30	
2.20		1.98	
360	580		590

# GEOLOGY CROSS SECTION

Interceptor Sewer Route

SCALE: Vertical 1/200

Horizontal 1/2500



Station	Soil Layer	Depth (ft)	N-Value
590	DSS-02	30	2.10
390	SS-04	30	1.71